

ENGLISH

4S-0303-03E0

01 SEP 1997

HAMEG[®]
Instruments

**Oscilloscope
HM 303-3**

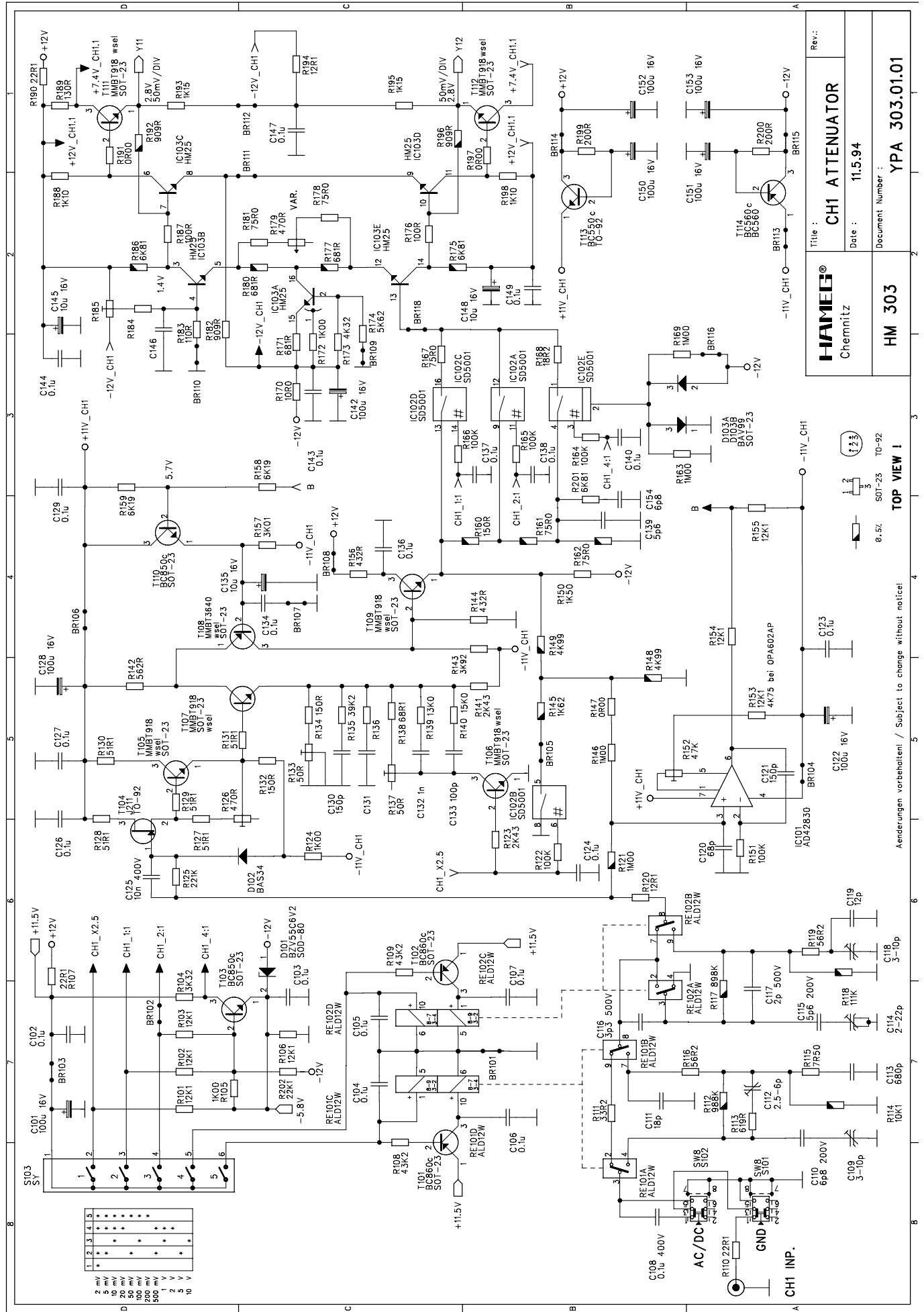
SERVICE-MANUAL

HM303-3



Circuit Diagrams
HM303 /-2 /-3

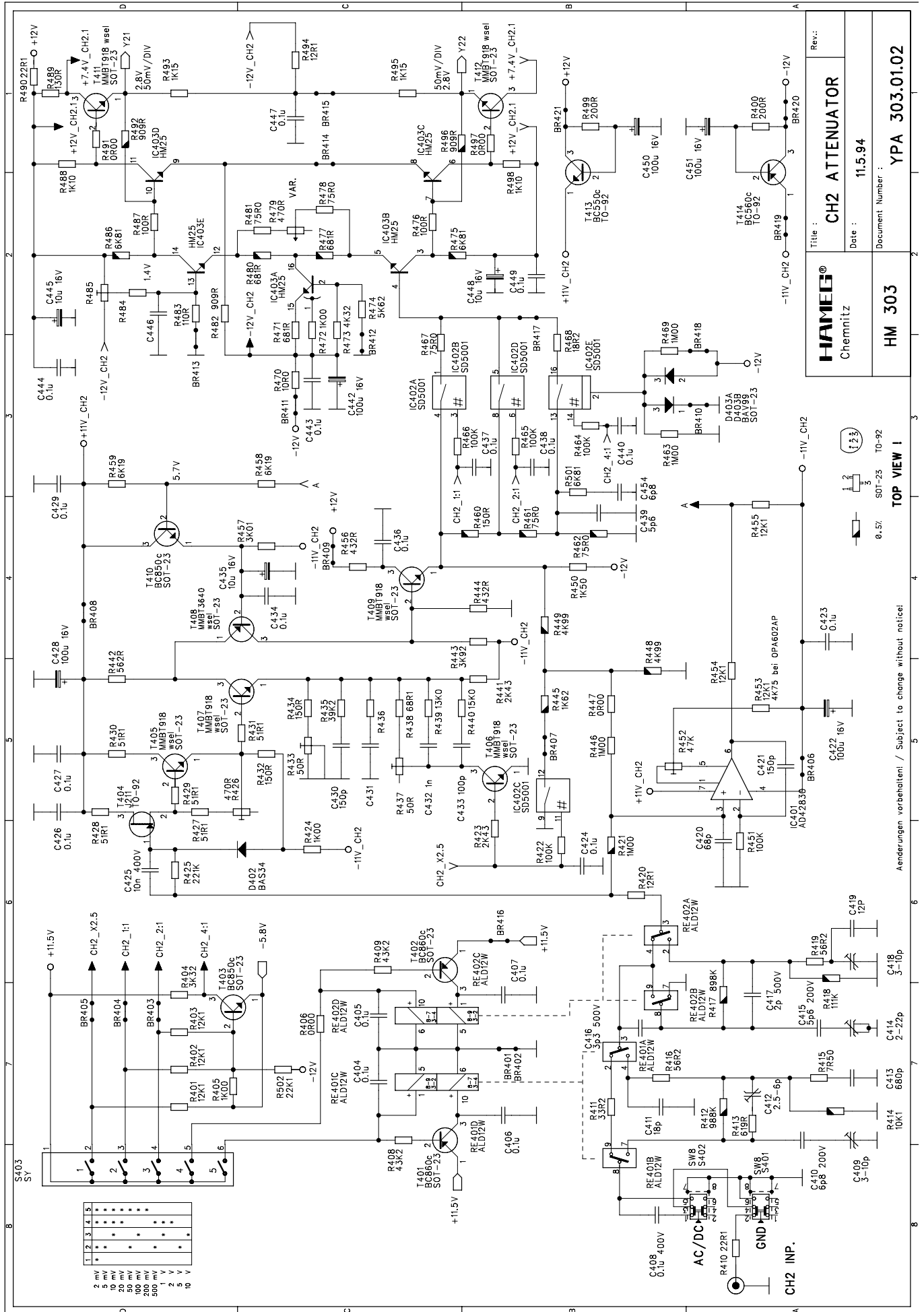
HM303	3
HM303-2	13
HM303-3	35



HAMEG® Chemnitz	Title : CH1 ATTENUATOR	Rev.:
	Date : 11.5.94	Document Number : YPA 303.01.01

HM 303	Document Number : YPA 303.01.01
---------------	--

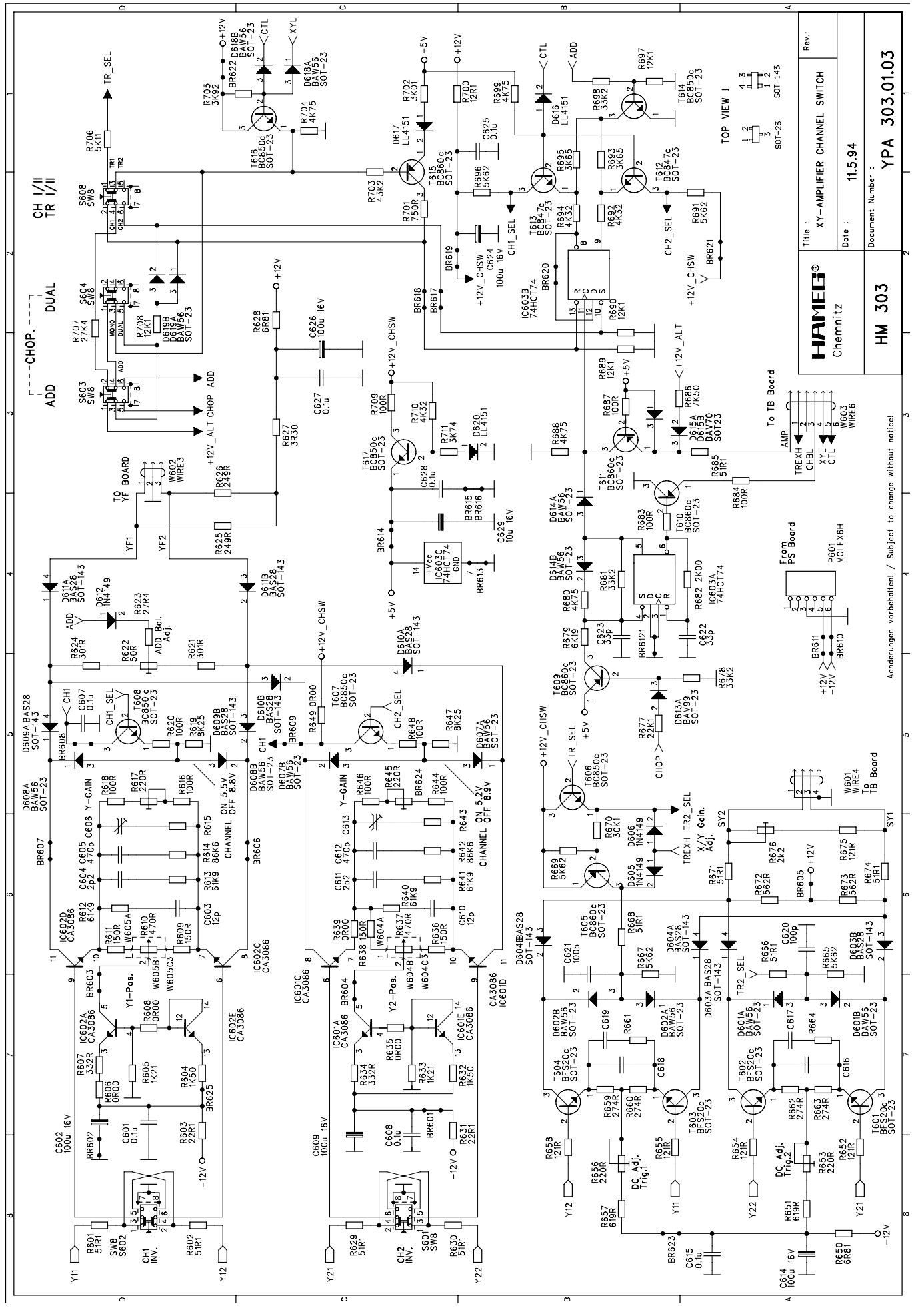
Aenderungen vorbehalten! / Subject to change without notice.
 0.5Z SOT-23 TO-92
 TOP VIEW I
 1 2 3
 4 5 6



Title : **CH2 ATTENUATOR**
 Date : 11.5.94
 Document Number : YPA 303.01.02

HAMEG®
 Chemnitz
HM 303
 Rev. : 11.5.94
 Document Number : YPA 303.01.02

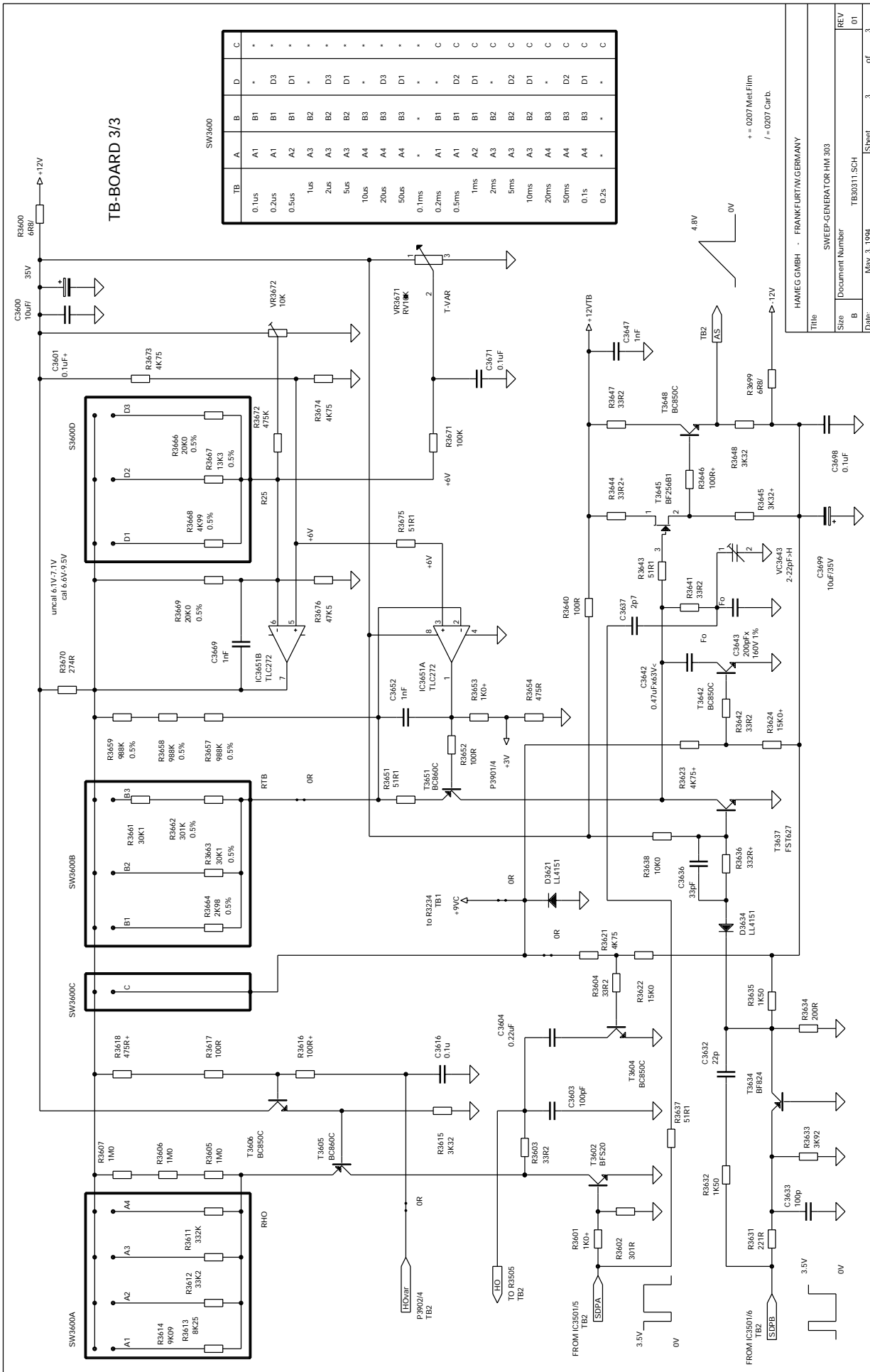
TOP VIEW I
 Aenderungen vorbehalten / Subject to change without notice!
 0.5% SOT-23 TO-92
 (23)



Title : XY-AMPLIFIER CHANNEL SWITCH	
Date : 11.5.94	Document Number : YPA 303.01.03
HM 303	
Chemnitz	

Title : XY-AMPLIFIER CHANNEL SWITCH	
Date : 11.5.94	Document Number : YPA 303.01.03
HM 303	
Chemnitz	

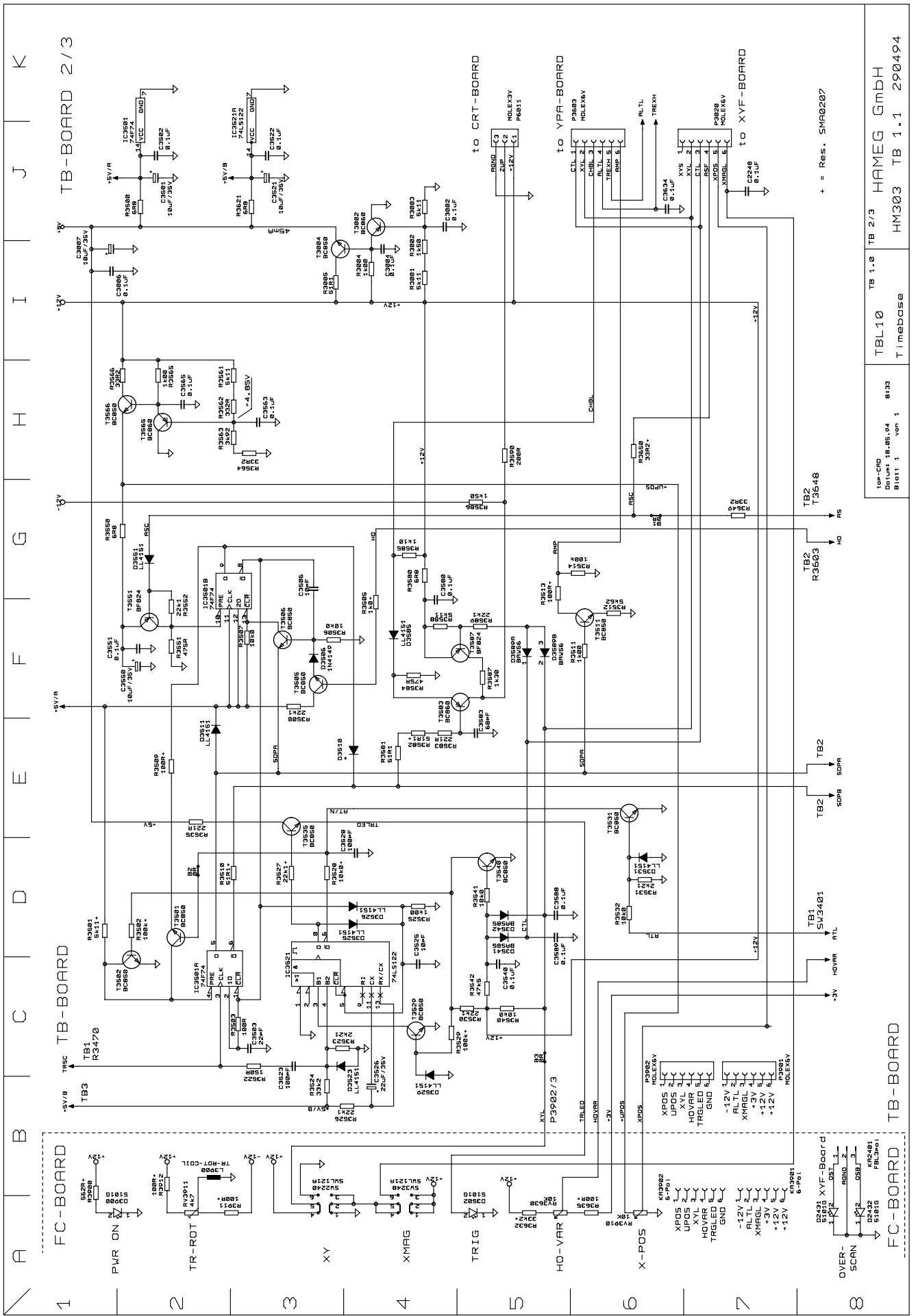
Title : XY-AMPLIFIER CHANNEL SWITCH	
Date : 11.5.94	Document Number : YPA 303.01.03
HM 303	
Chemnitz	



HAMEG GMBH - FRANKFURT/GERMANY

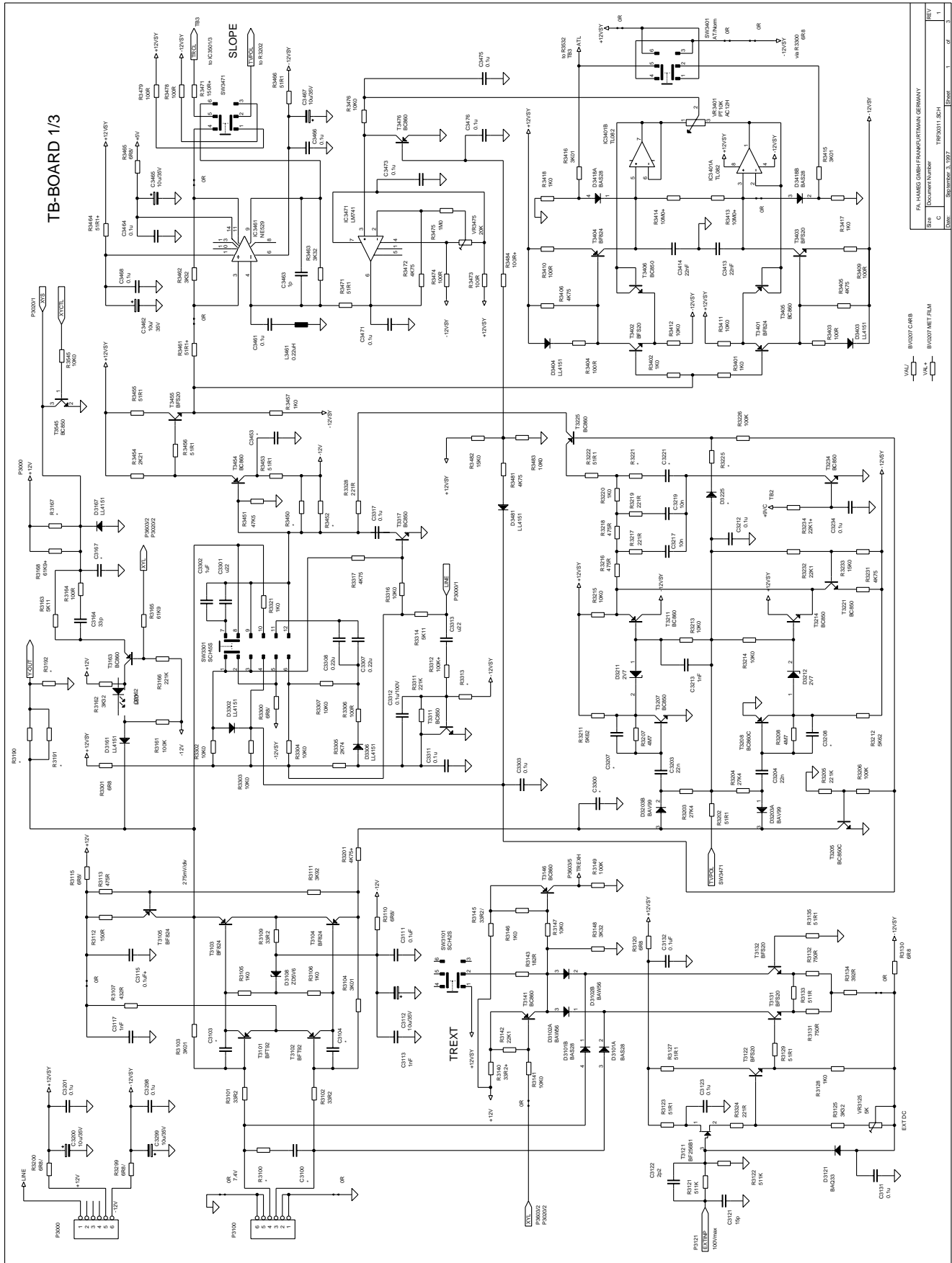
Title	SWEEP-GENERATOR HM 303		
Draw	Document Number	Sheet	of
	TB03111.SCH	3	3
Date:	May 3, 1994		
REV			
01			

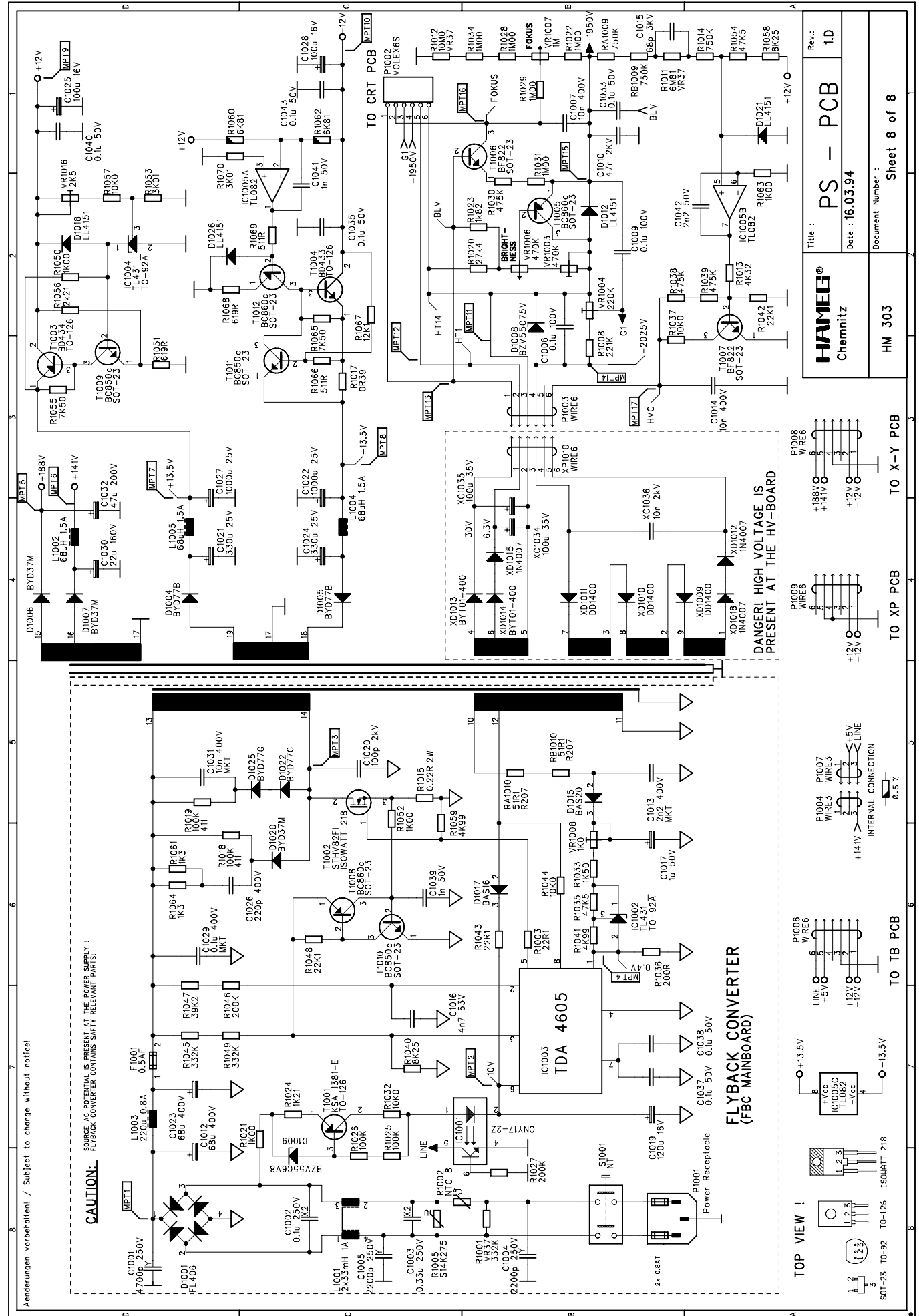
* = 0207 Met.Film
/ = 0207 Carb.

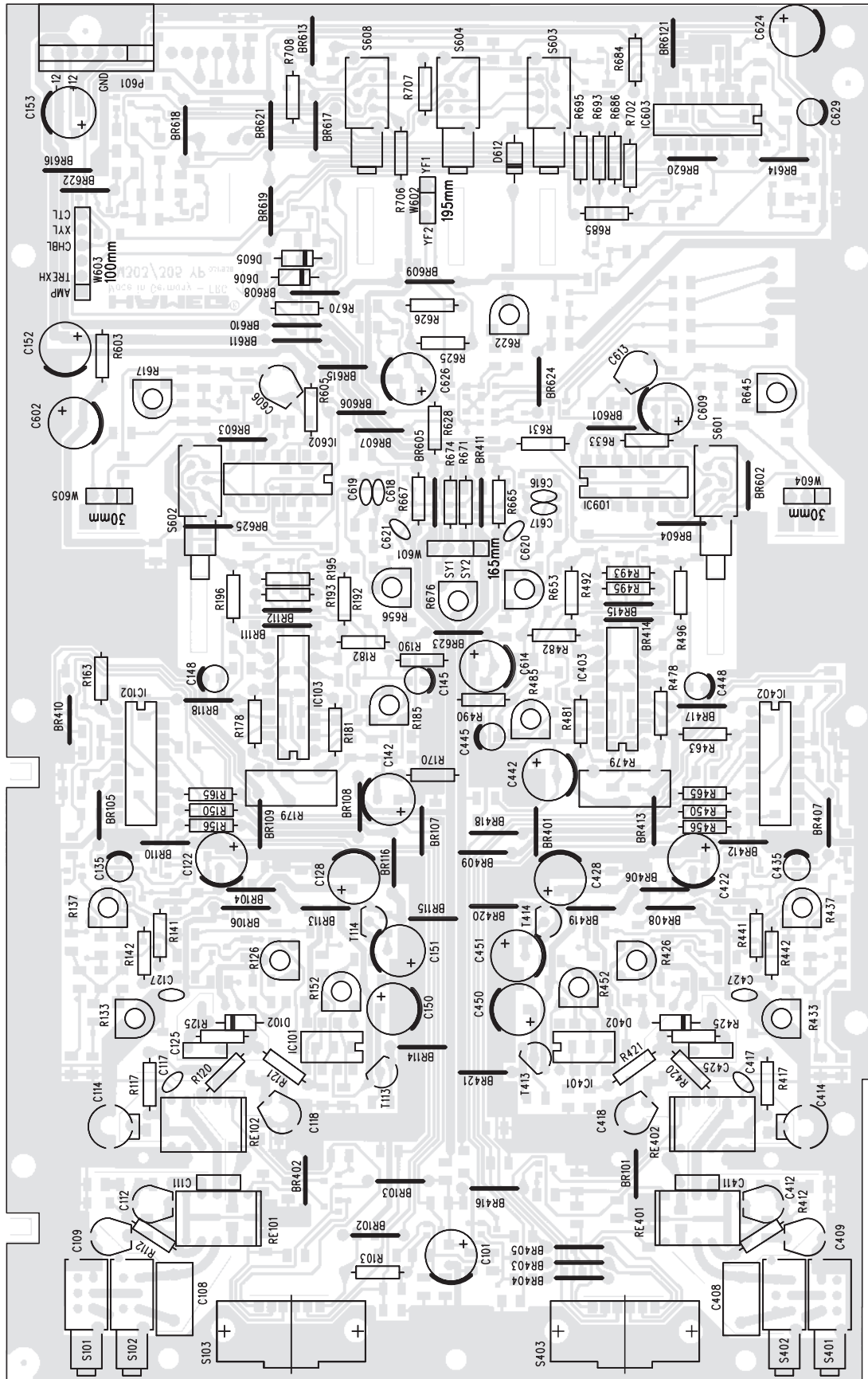


10P-CPD	TB 1.0	TB 2/3	HAMEG GmbH
81011 1	0133	HM303	TB 1.1 290494
		Timebase	

+ = Res. SMA8207

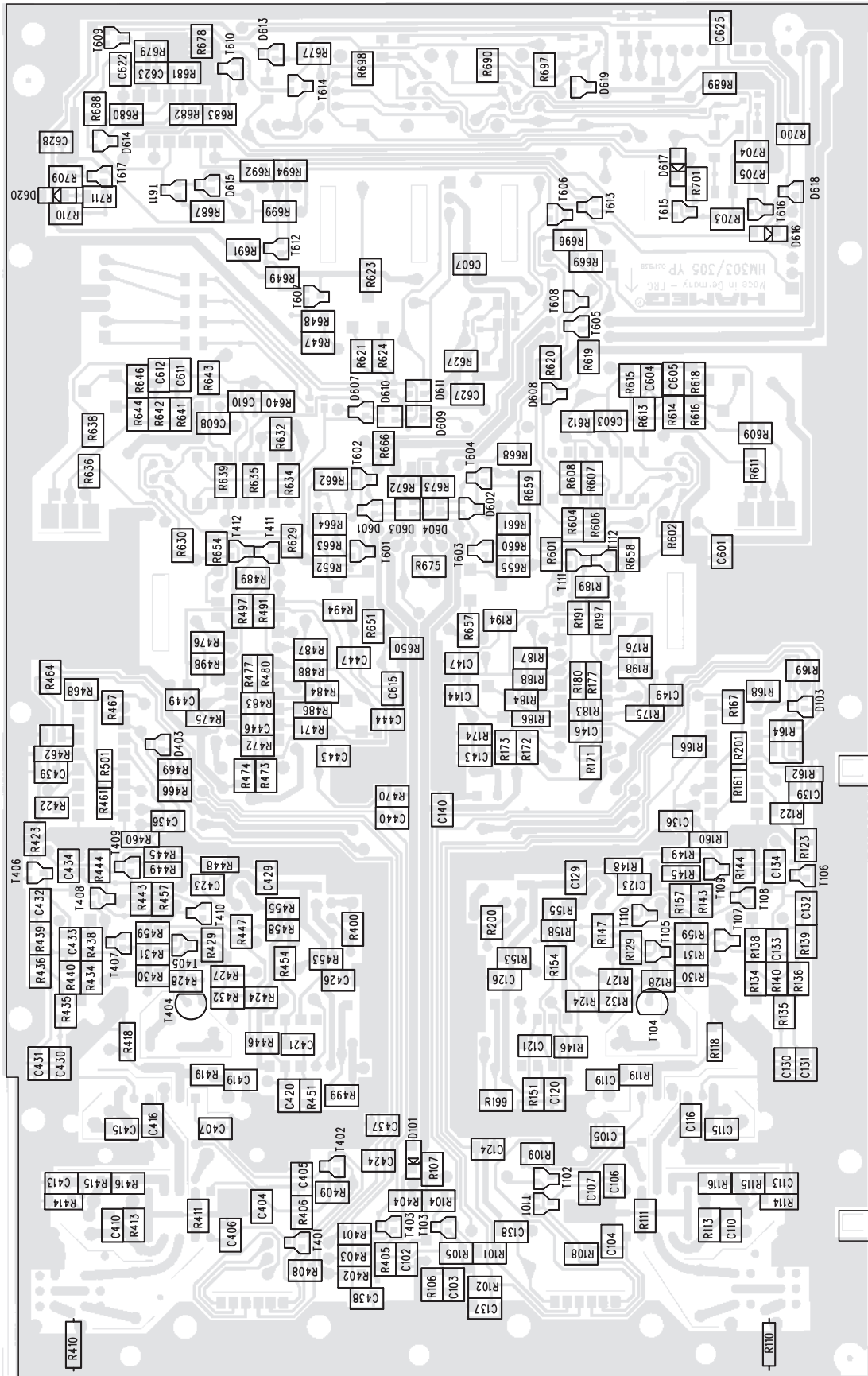






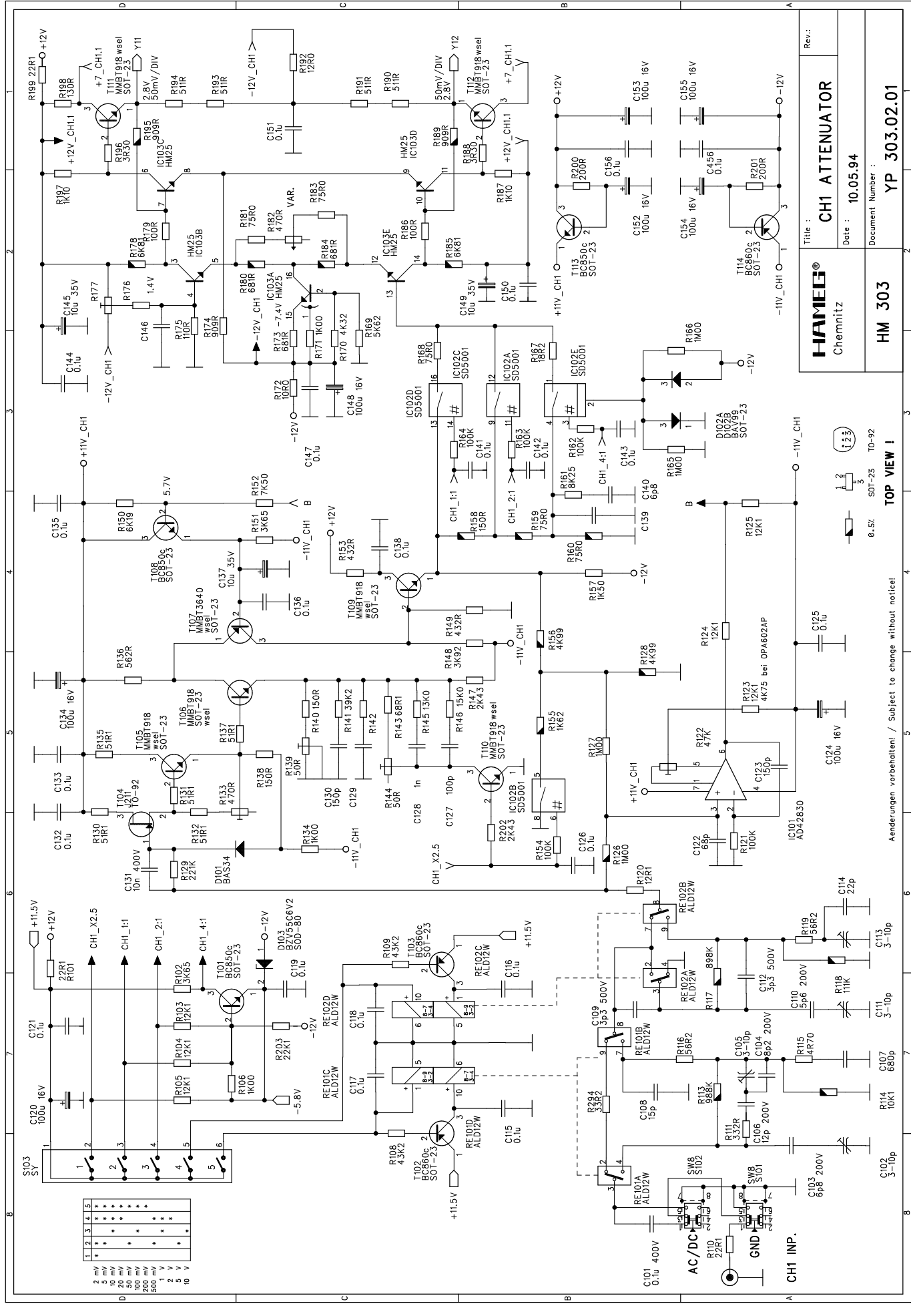
HM 303 YPA BESTUECKUNGSPLAN TOP

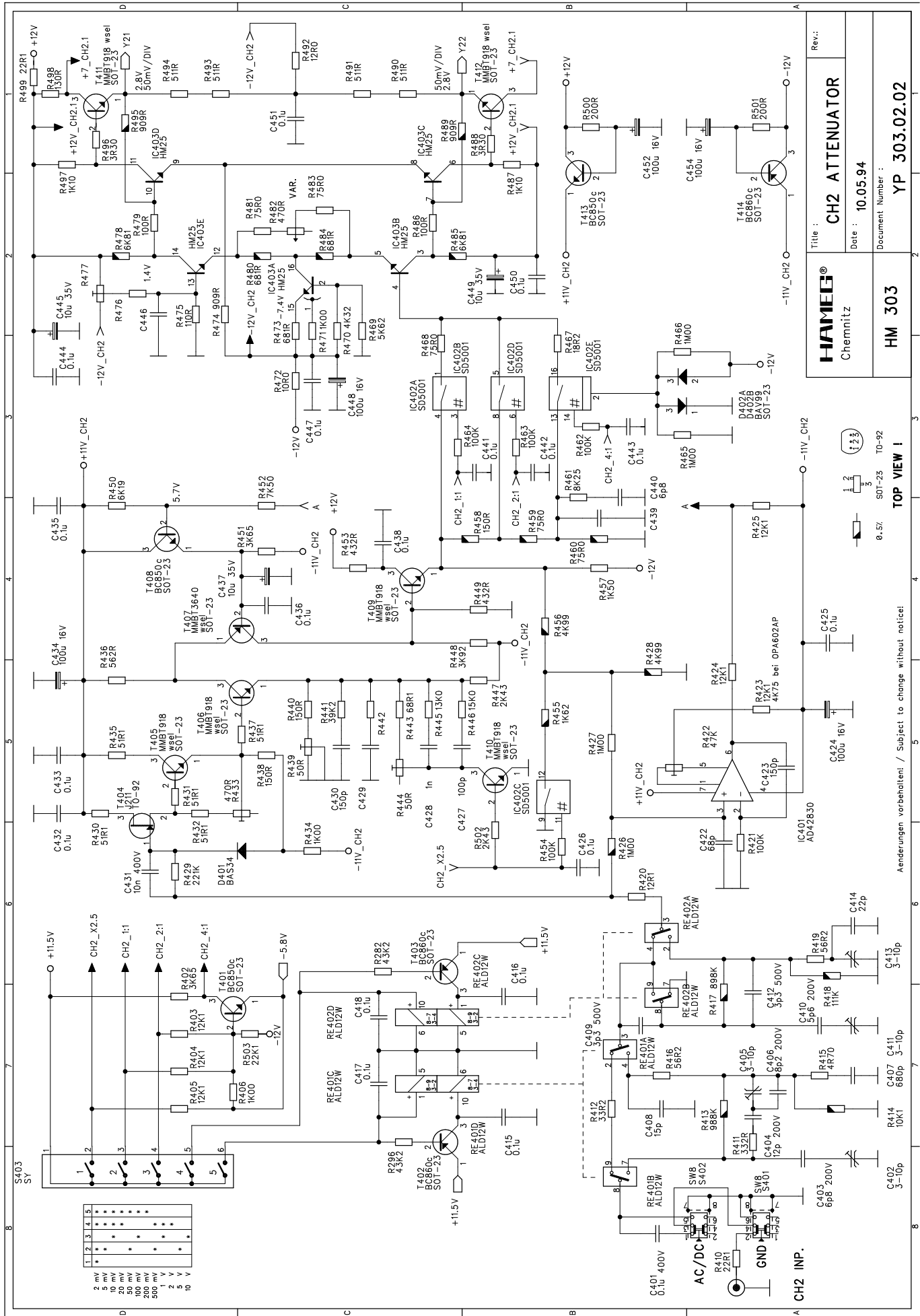
HM 303 YPA BESTUECKUNGSPLAN LEITERSEITE

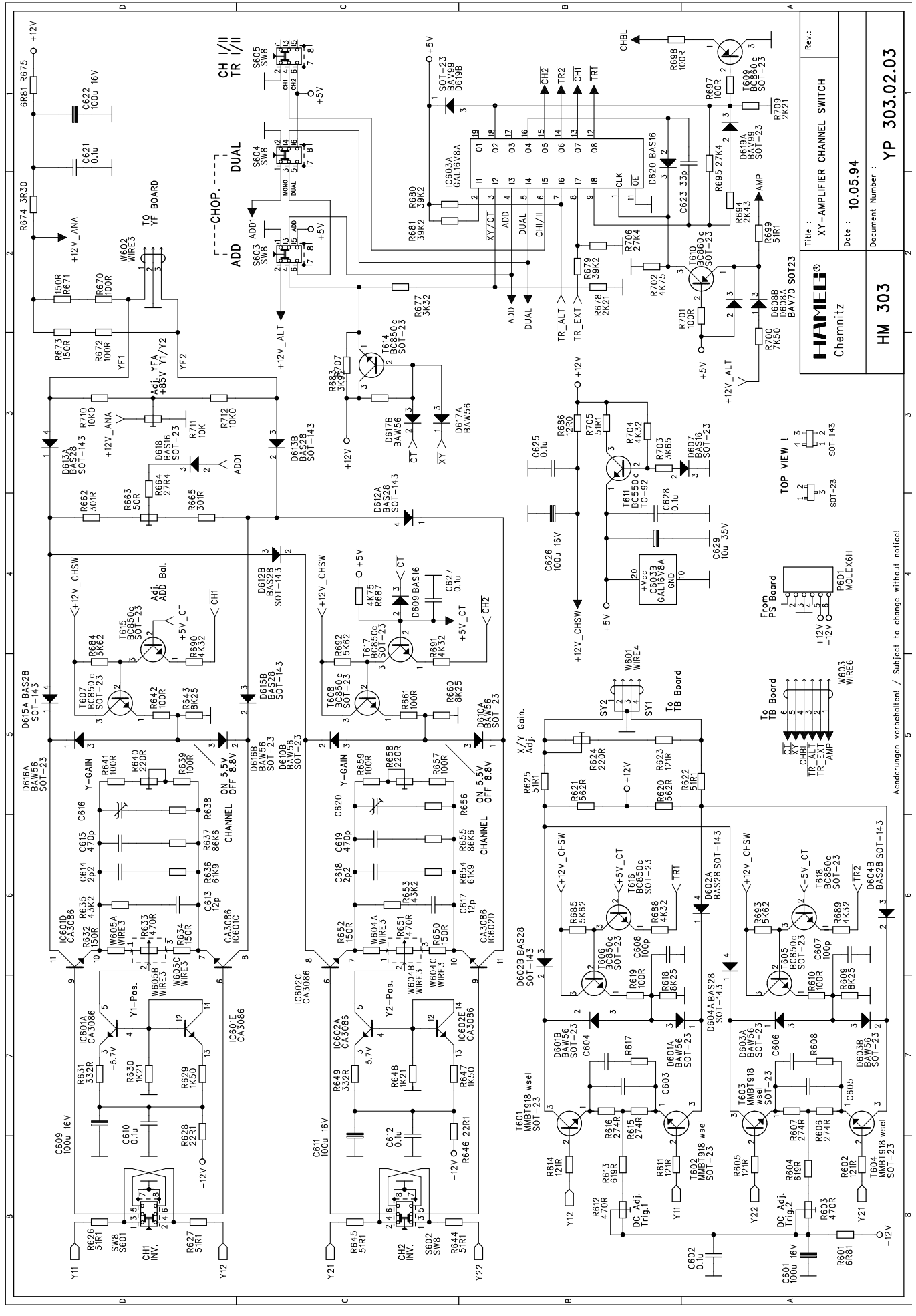


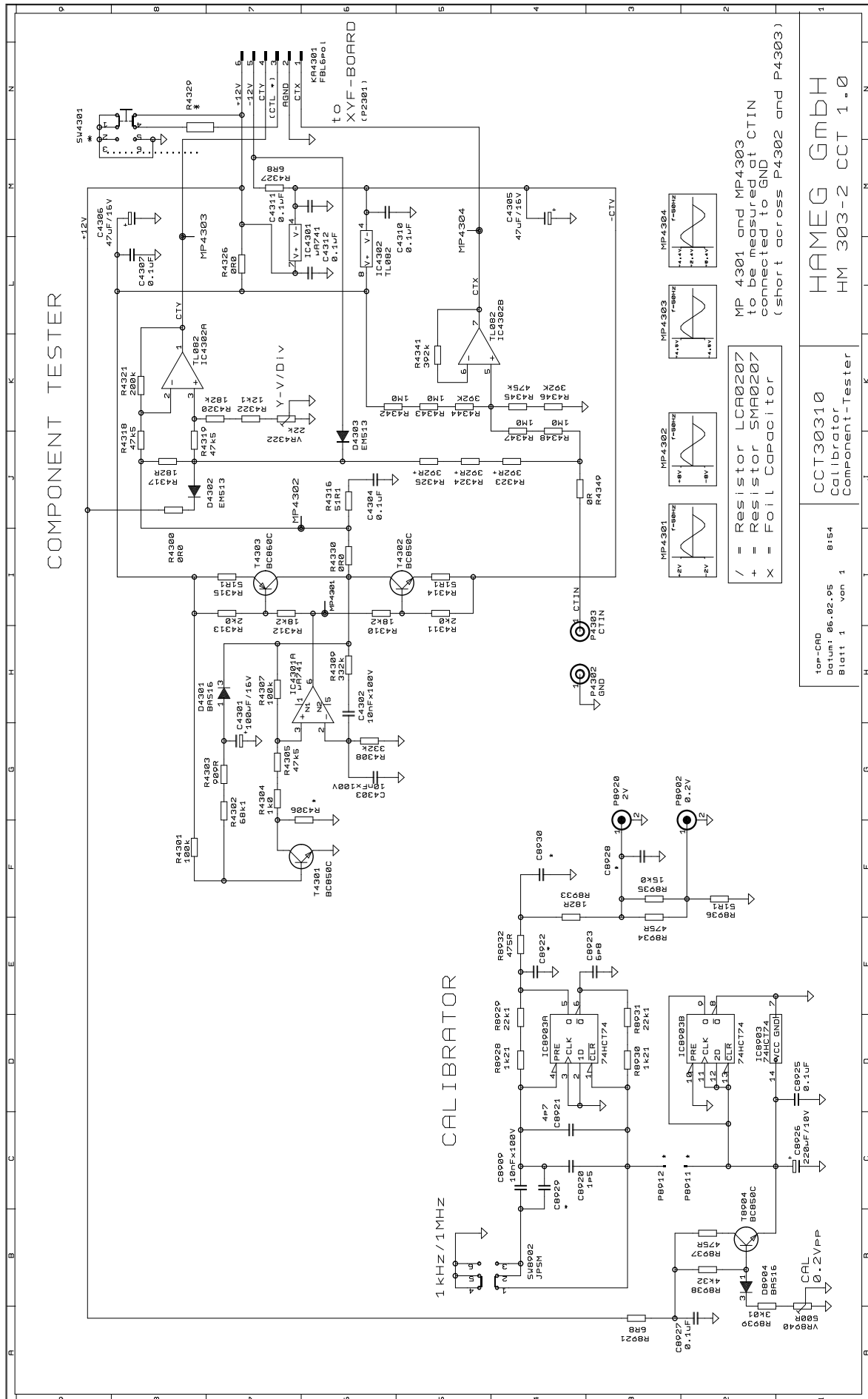
Oscilloscope

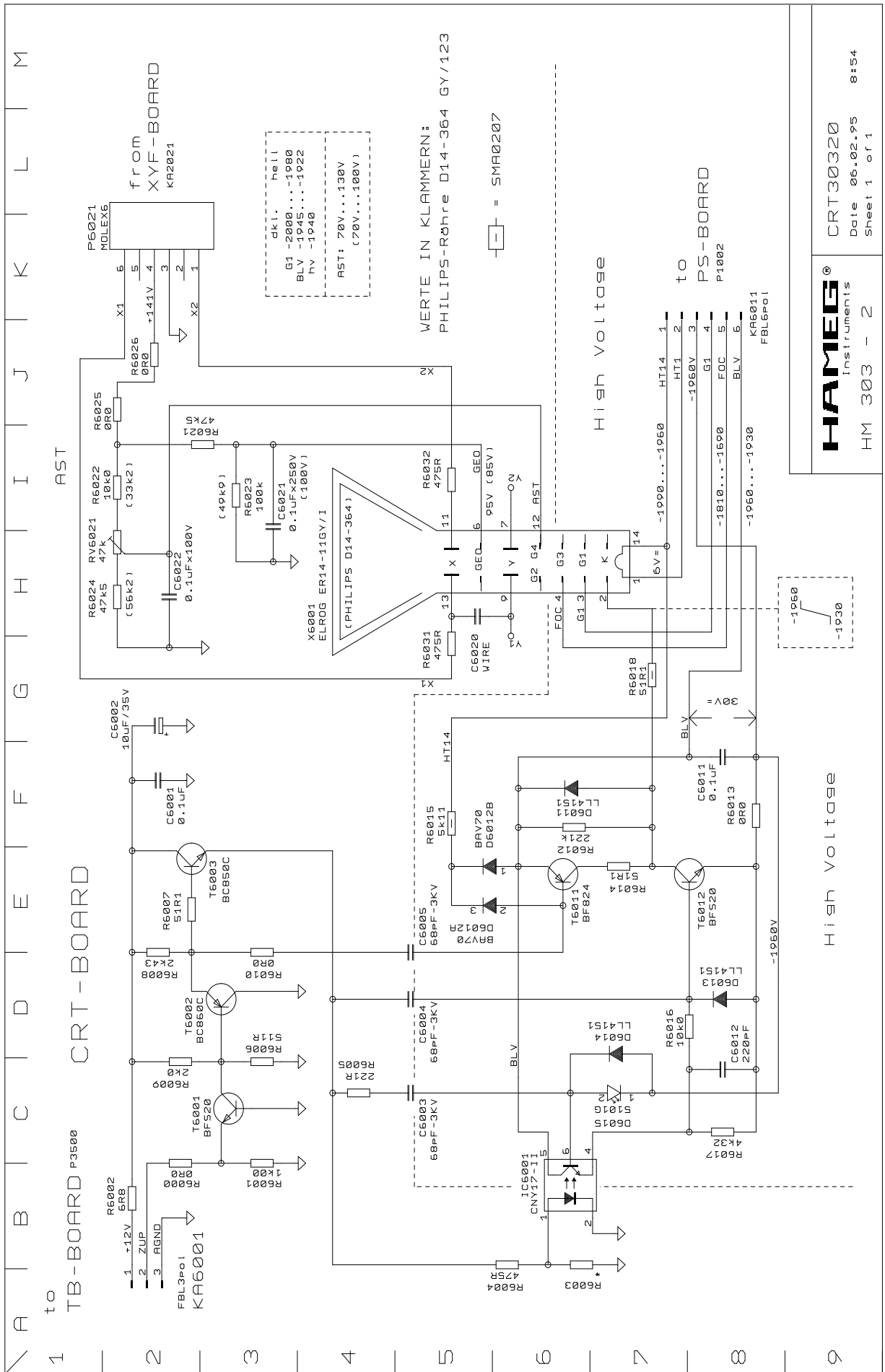
Circuit diagrams HM303 - 2









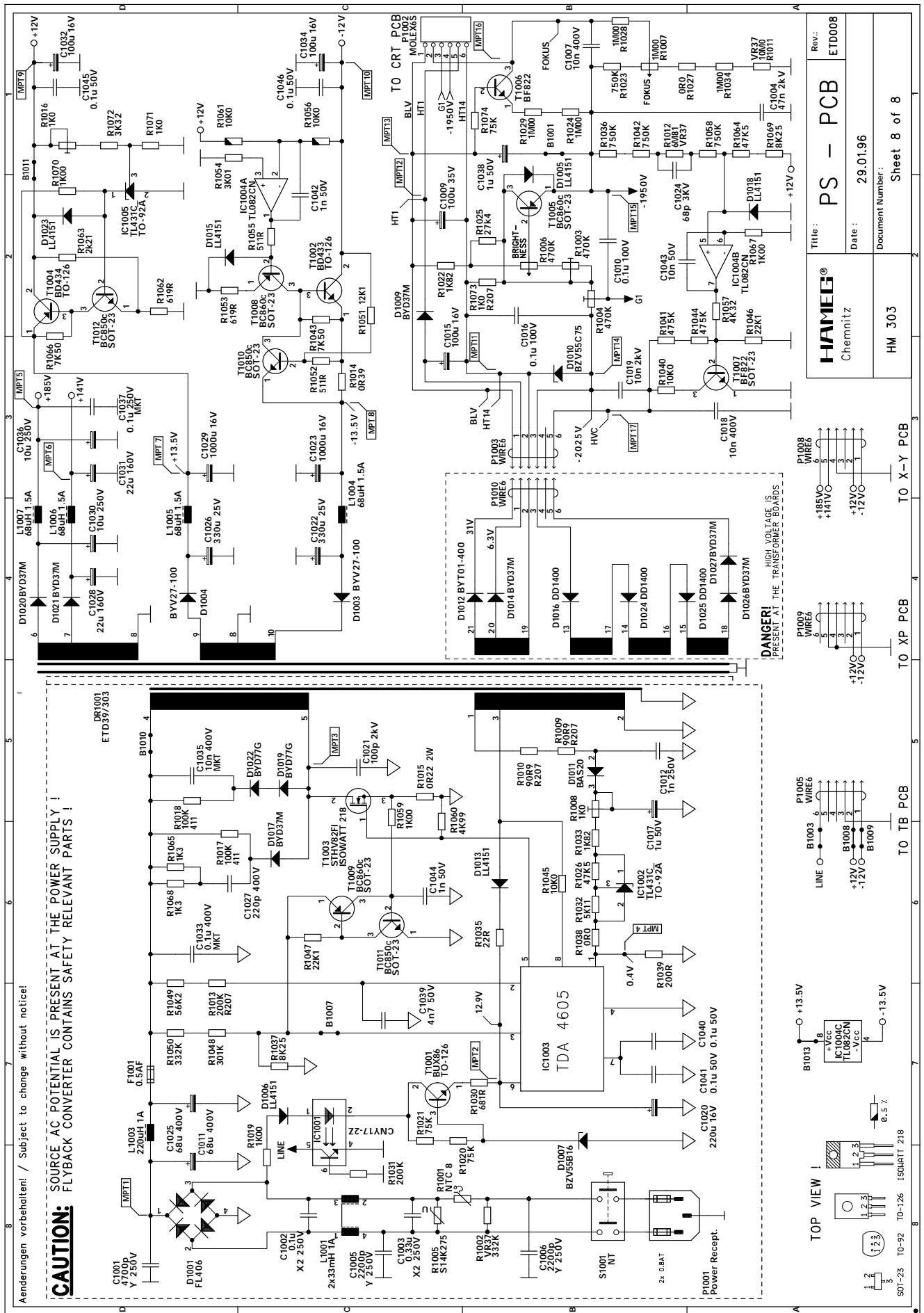


CRT30320
Date 06.02.95 8:54
Sheet 1 of 1

HAMEG
Instruments
HM 303 - 2

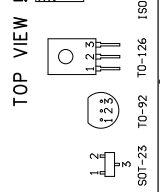
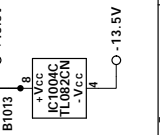
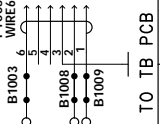
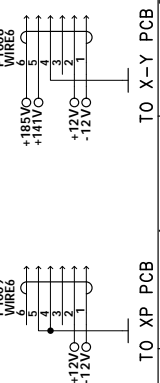
High Voltage

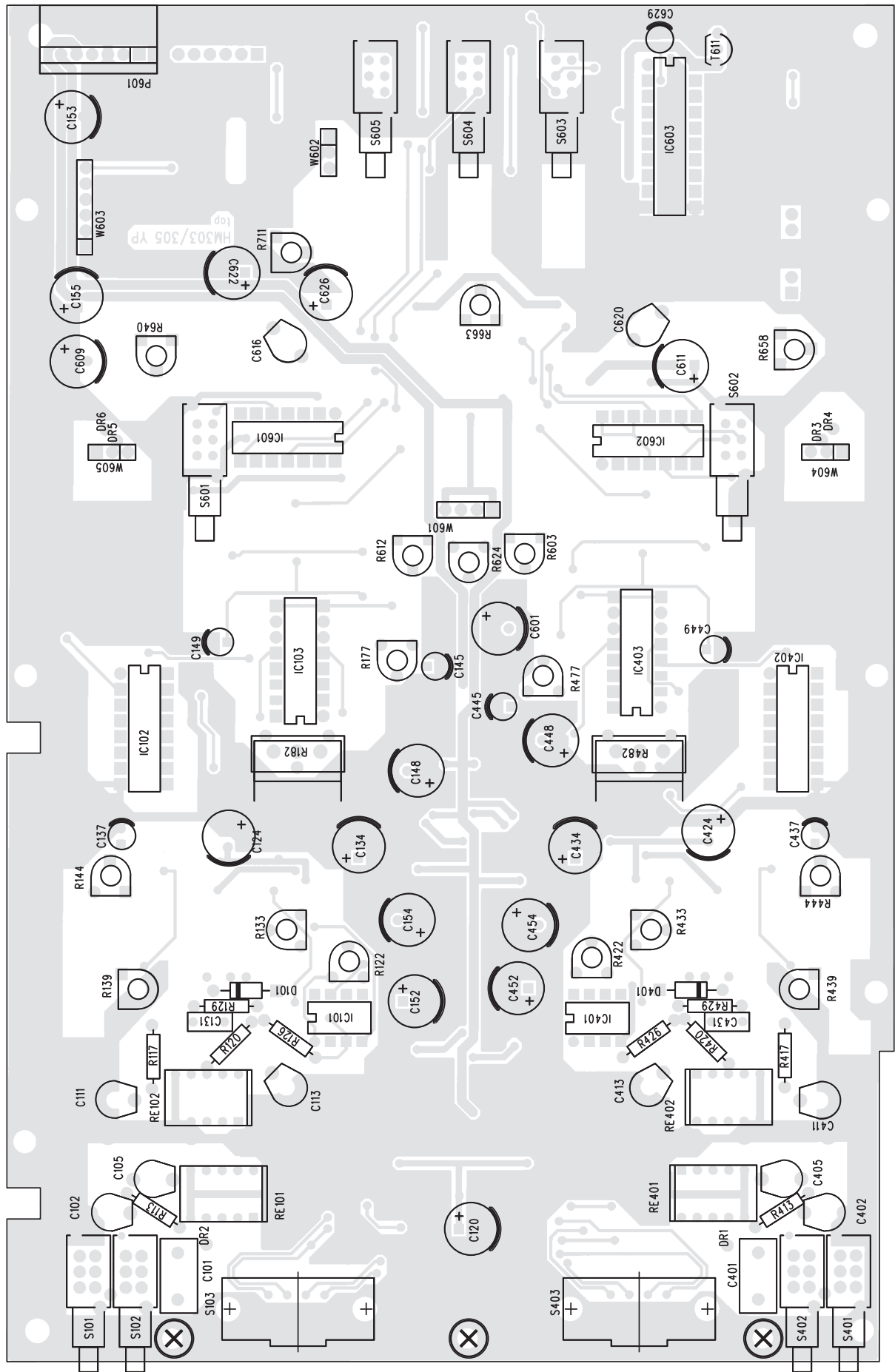
High Voltage

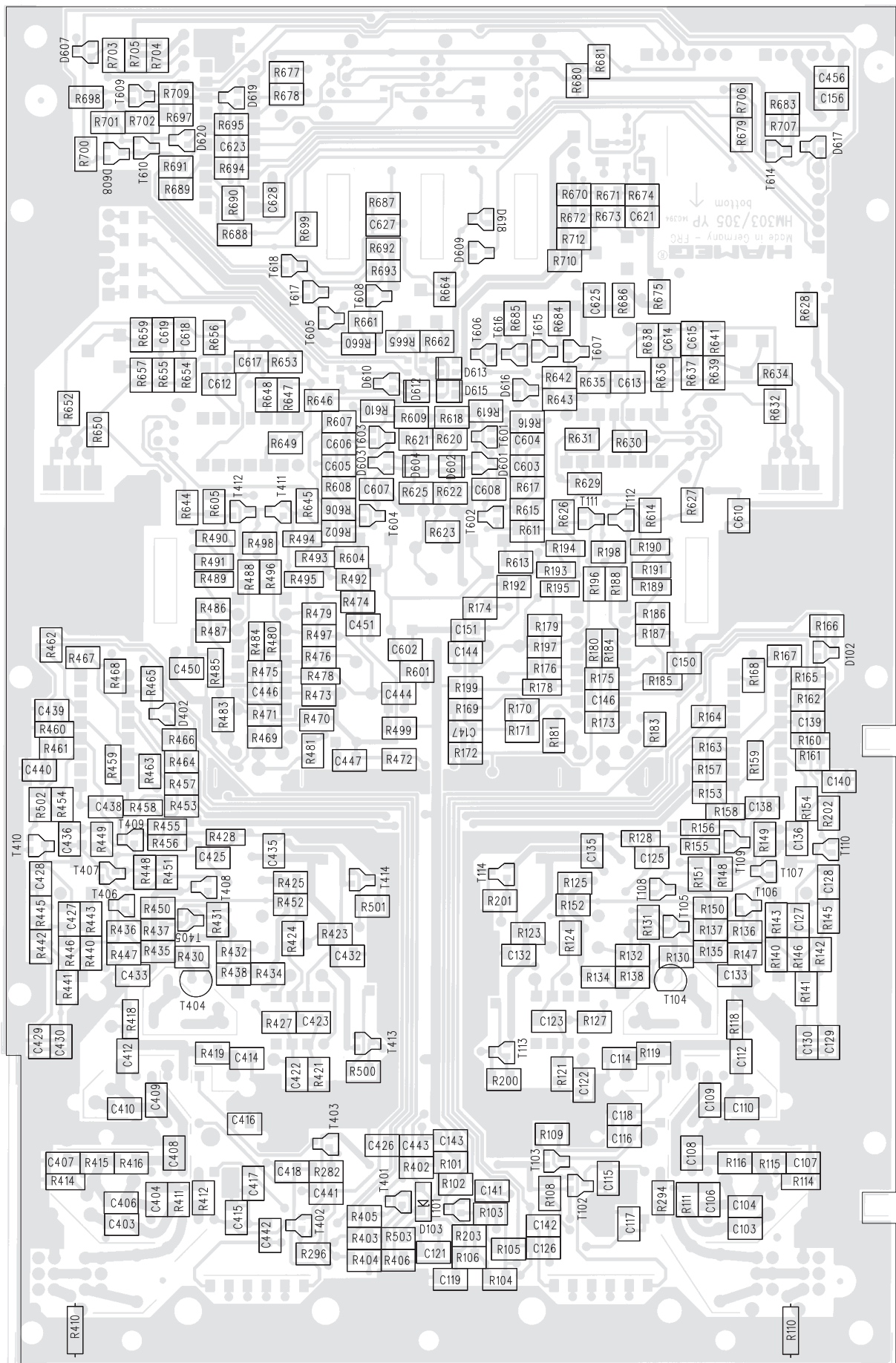


CAUTION: SOURCE AC POTENTIAL IS PRESENT AT THE POWER SUPPLY!
FLYBACK CONVERTER CONTAINS SAFETY RELEVANT PARTS!

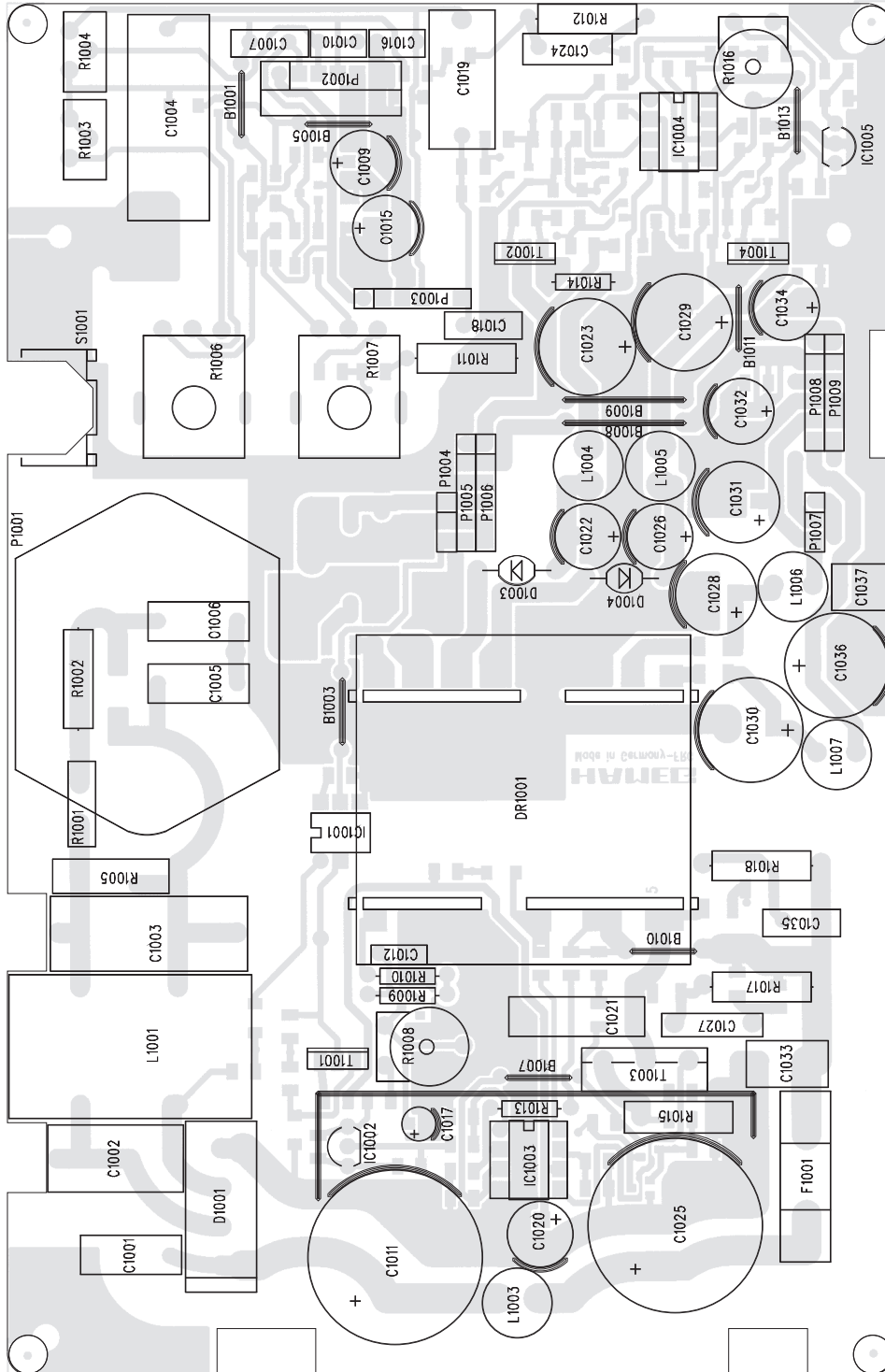
Aenderungen vorbehalten! / Subject to change without notice.





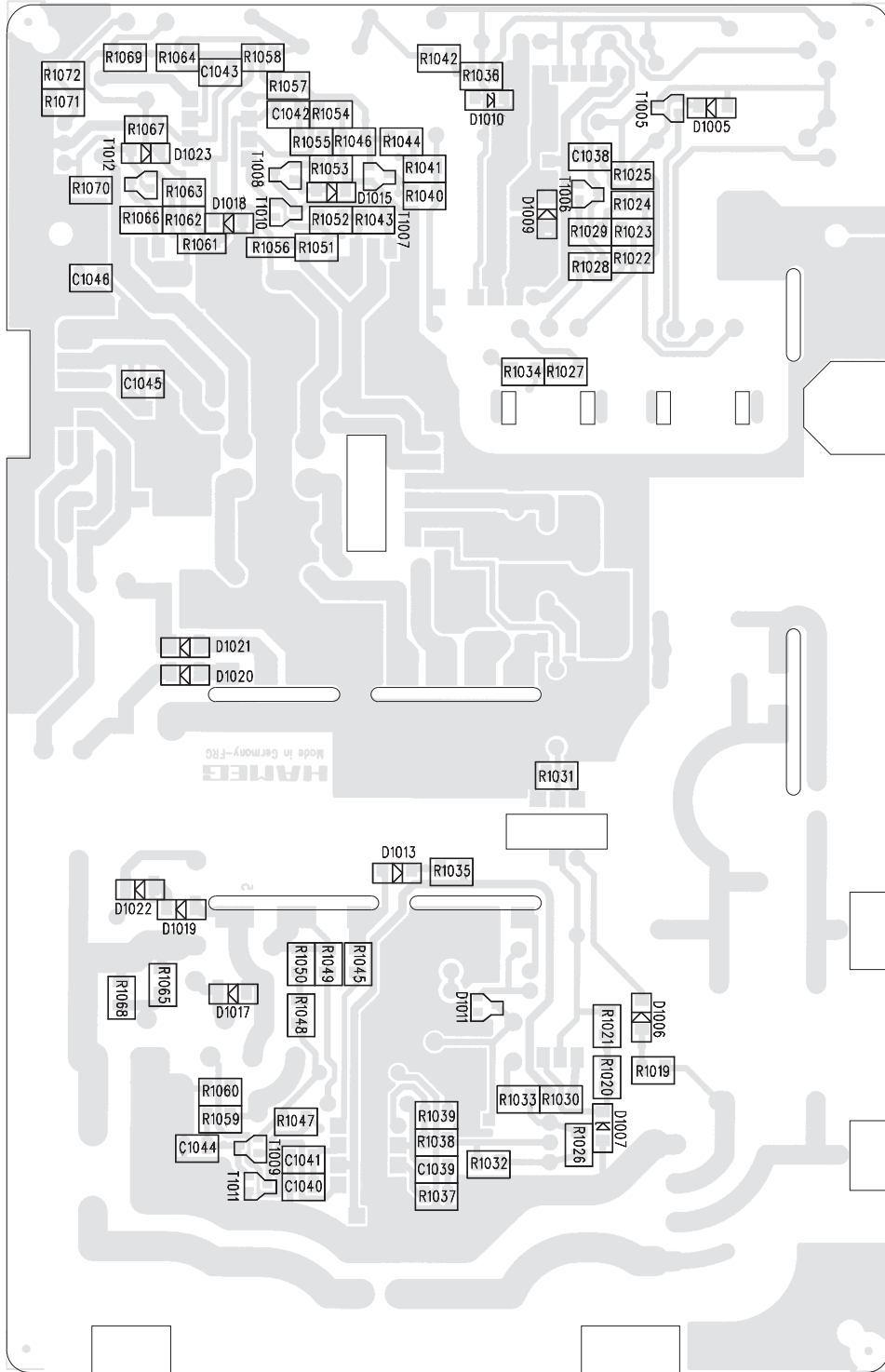


HM303



Besteckungsplan bedrahtete BE's

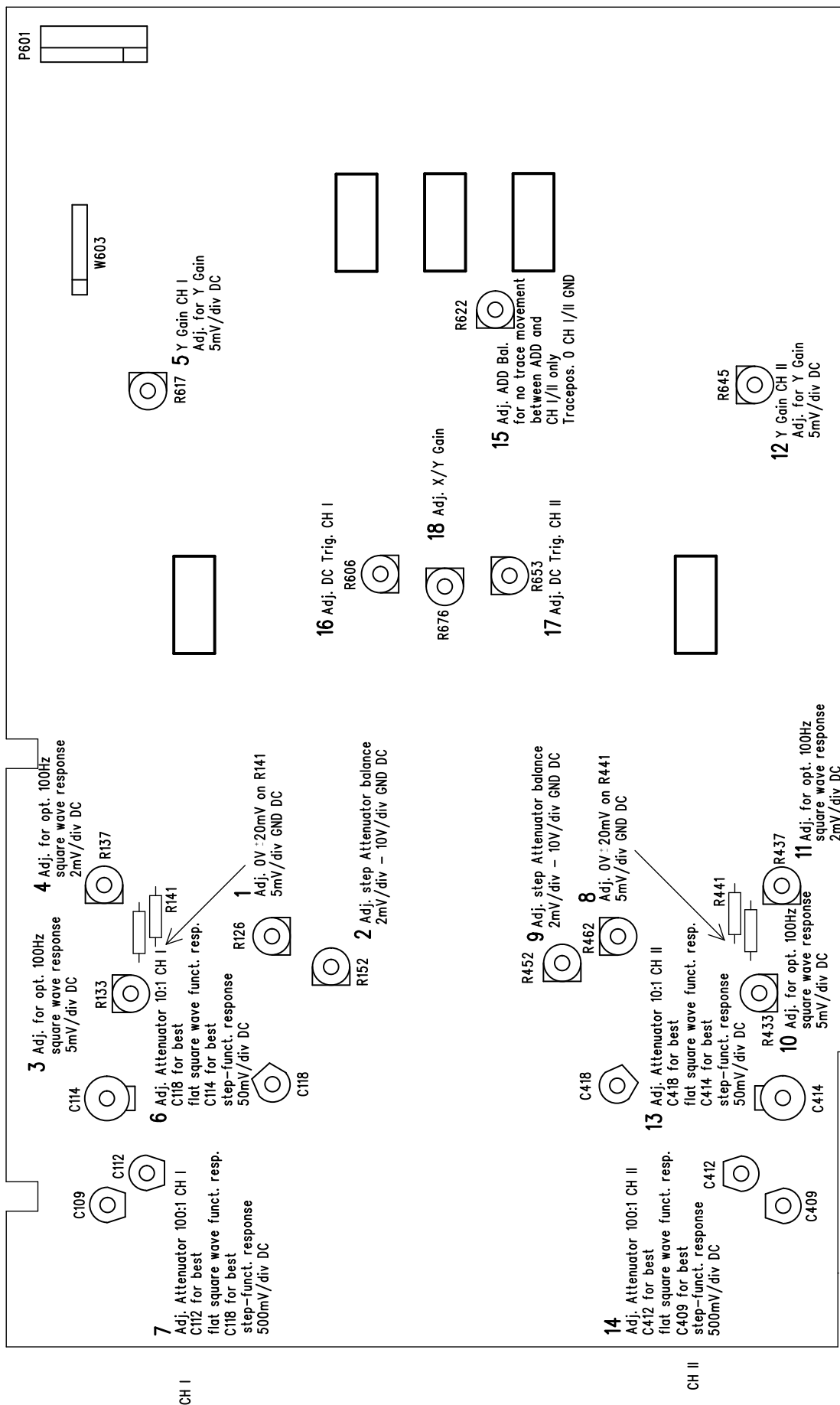
Bestückungsplan SMD BE's



HM303

TO TB BOARD

TO PS BOARD



HM303 YPA BOARD ABGLEICHPLAN
HM303 YPA BOARD ADJUSTING PLAN

Remark: Square wave testgen. 50 Ohm:
fo = 10 Hz to 10 kHz
6 div. ampl./Y-setting

K

J

I

H

G

F

E

D

C

B

A

1

+12V from P3000/5 } TB2
-12V from P3000/6 } TB2

TB SHEET 1 / 3

ISLOPE
+/-TV

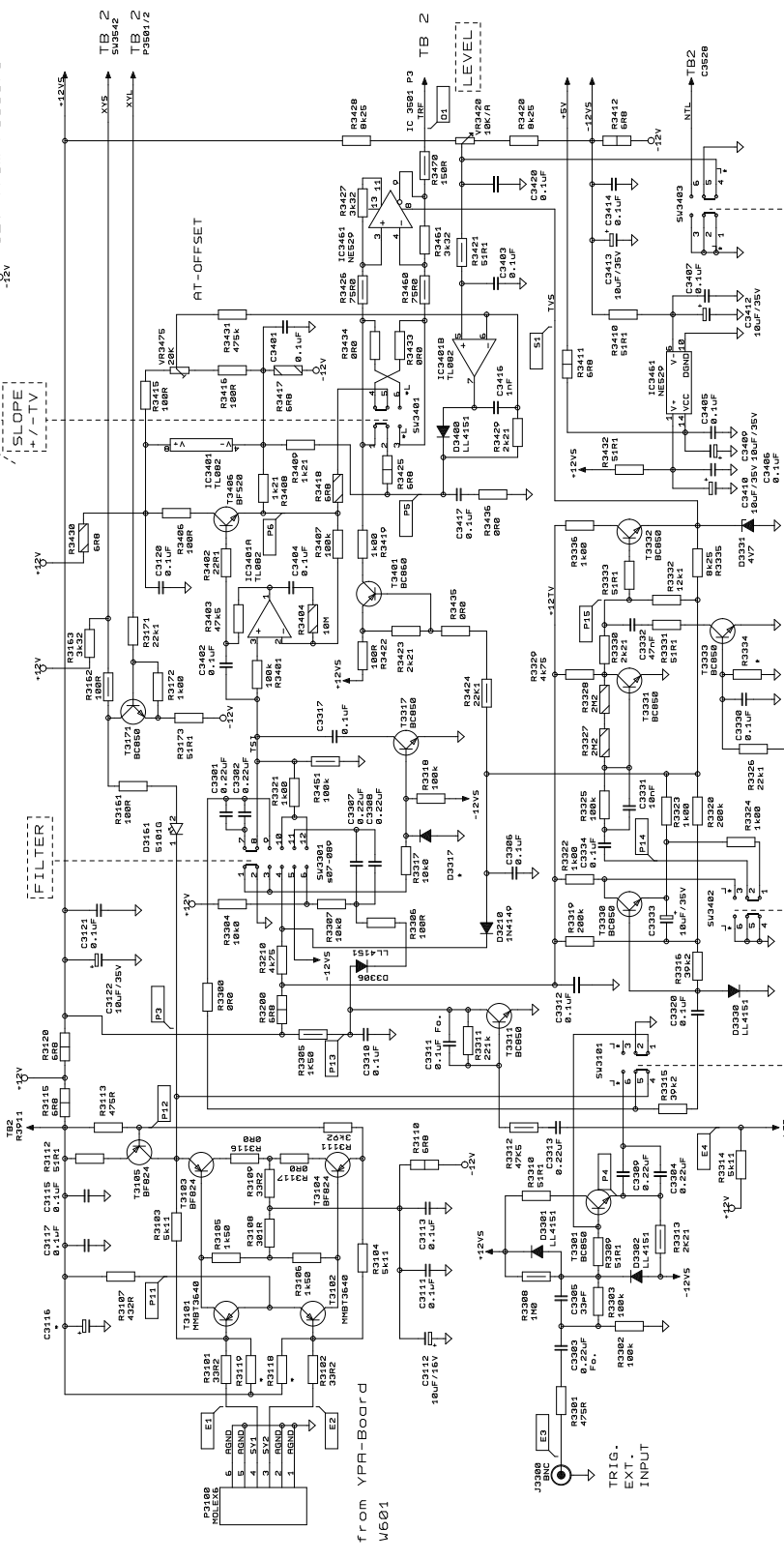
FILTER

TRIG
EXT.

ISLOPE
+/-TV

AT/N

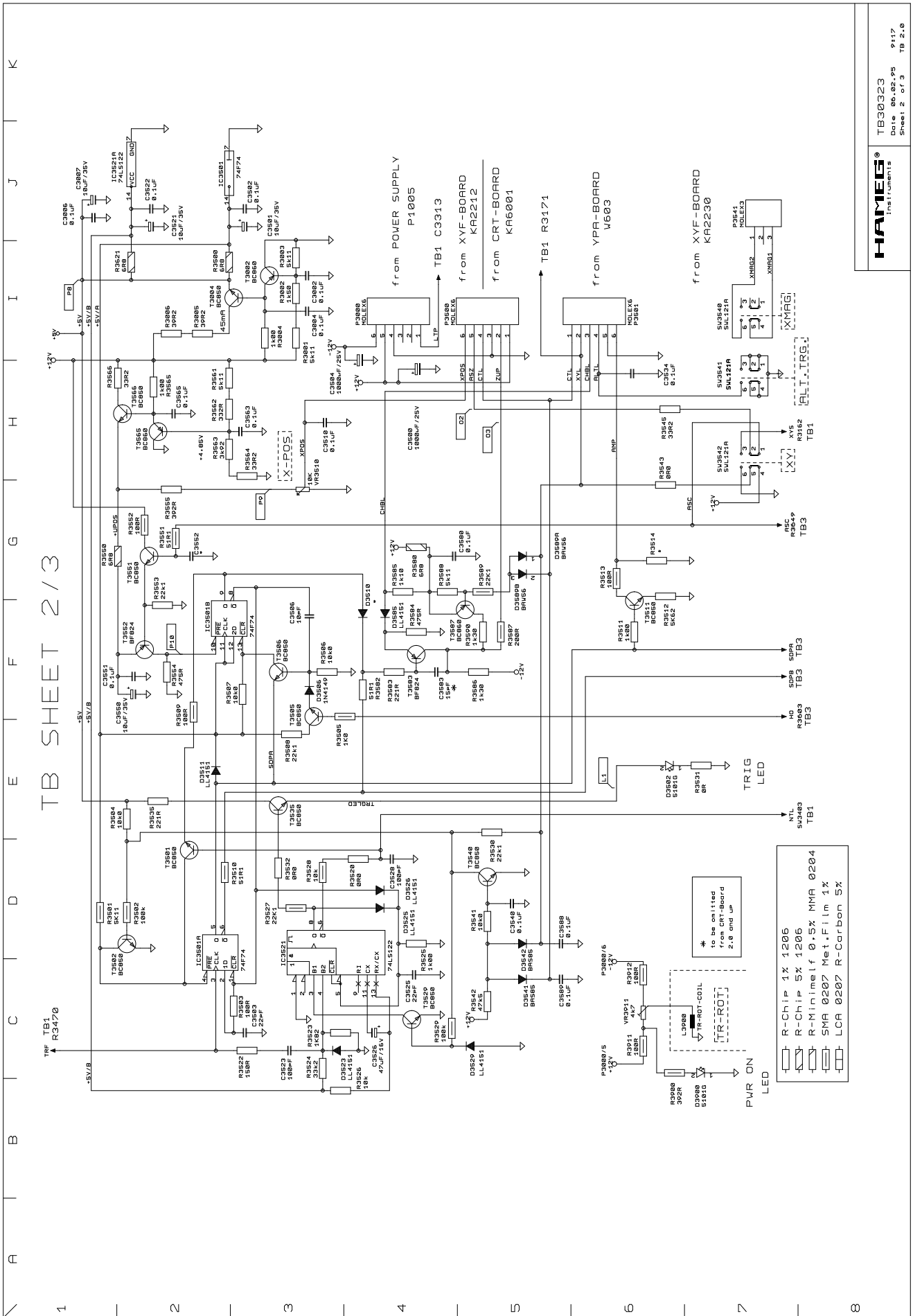
TRIG
EXT.



- R-Chip 1x 1206
- R-Chip 5x 1206
- R-Minimelf 0.5% MMR 0204
- SMA 0207 Met. Film 1x
- LCA 0207 R-Carbon 5x

TB30323
Date 06.02.95
Sheet 1 of 3
TB 2-0

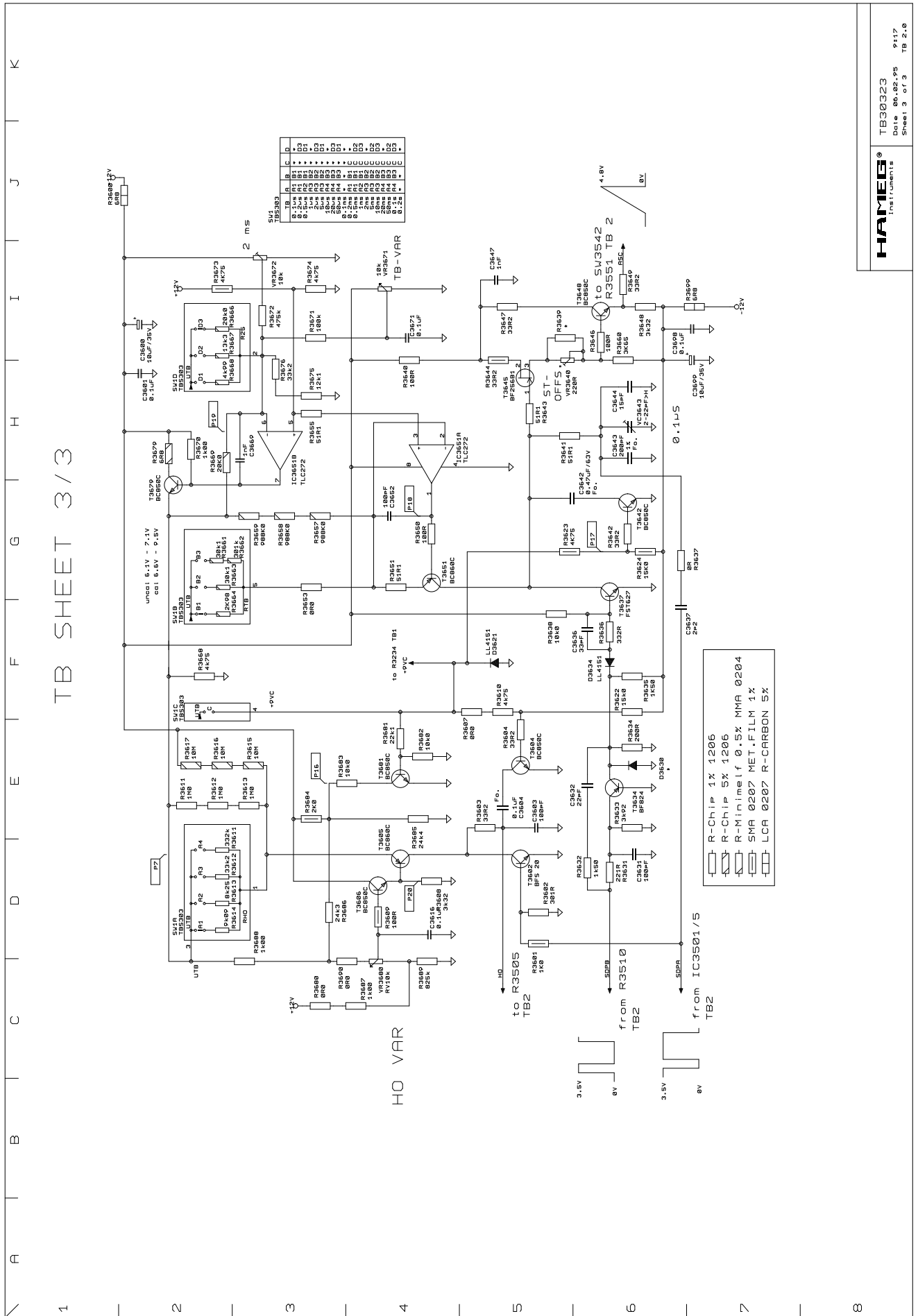
HAMEG
Instruments

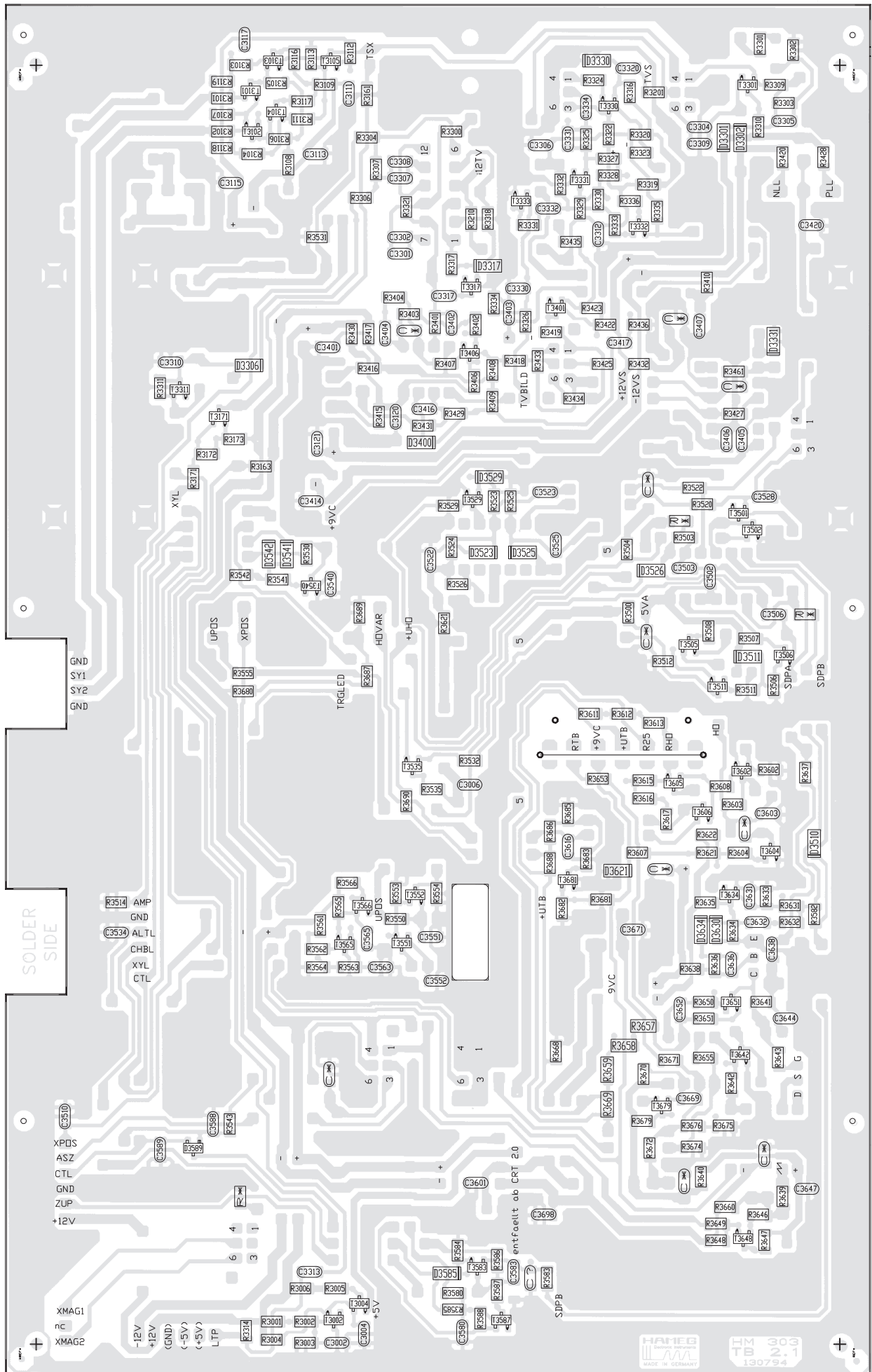


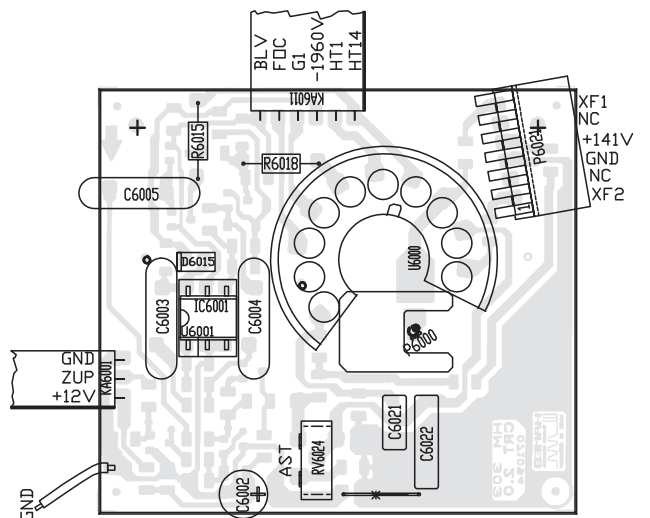
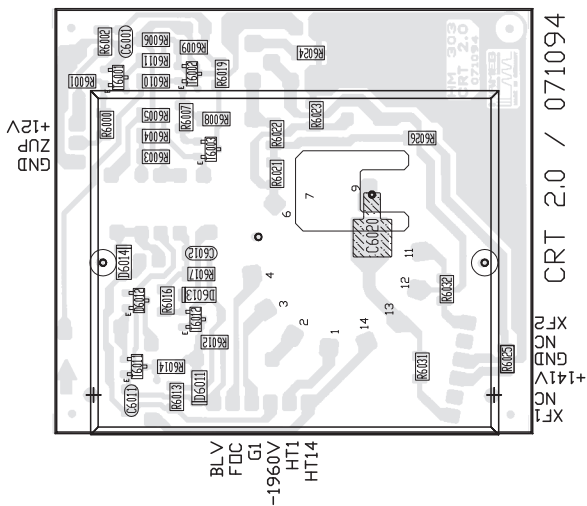
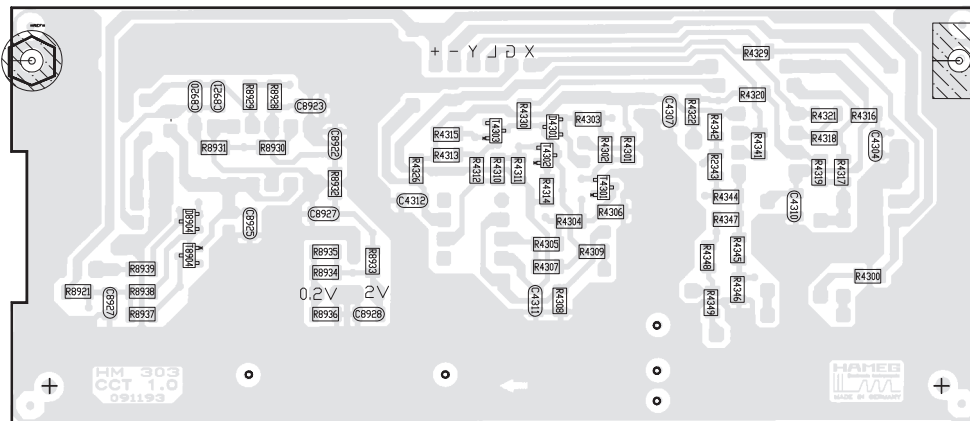
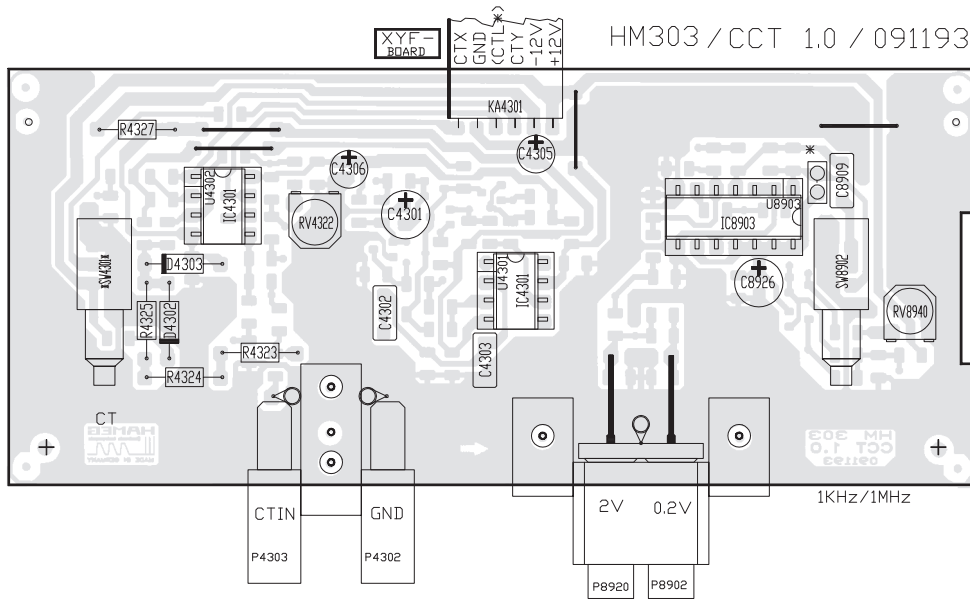
HAMEC
Instruments

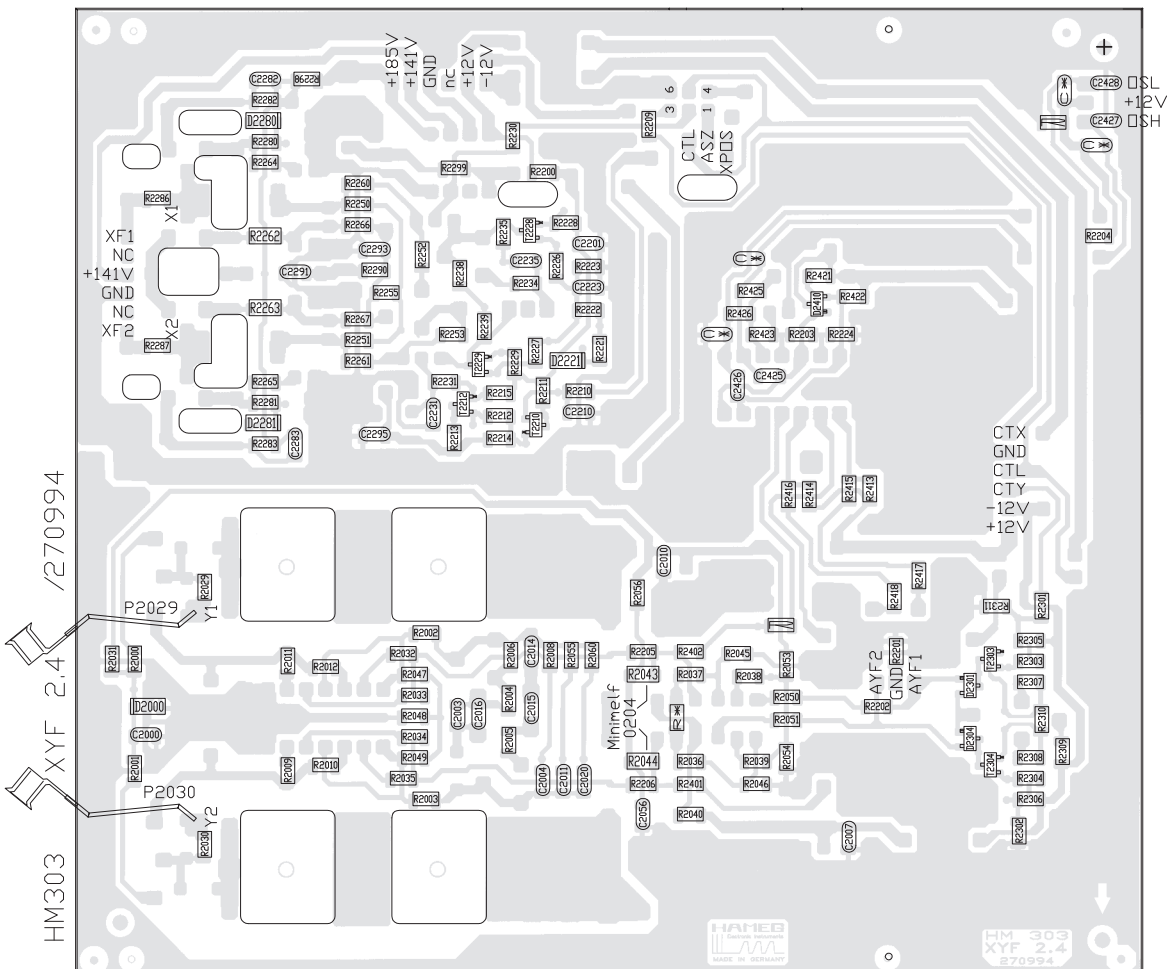
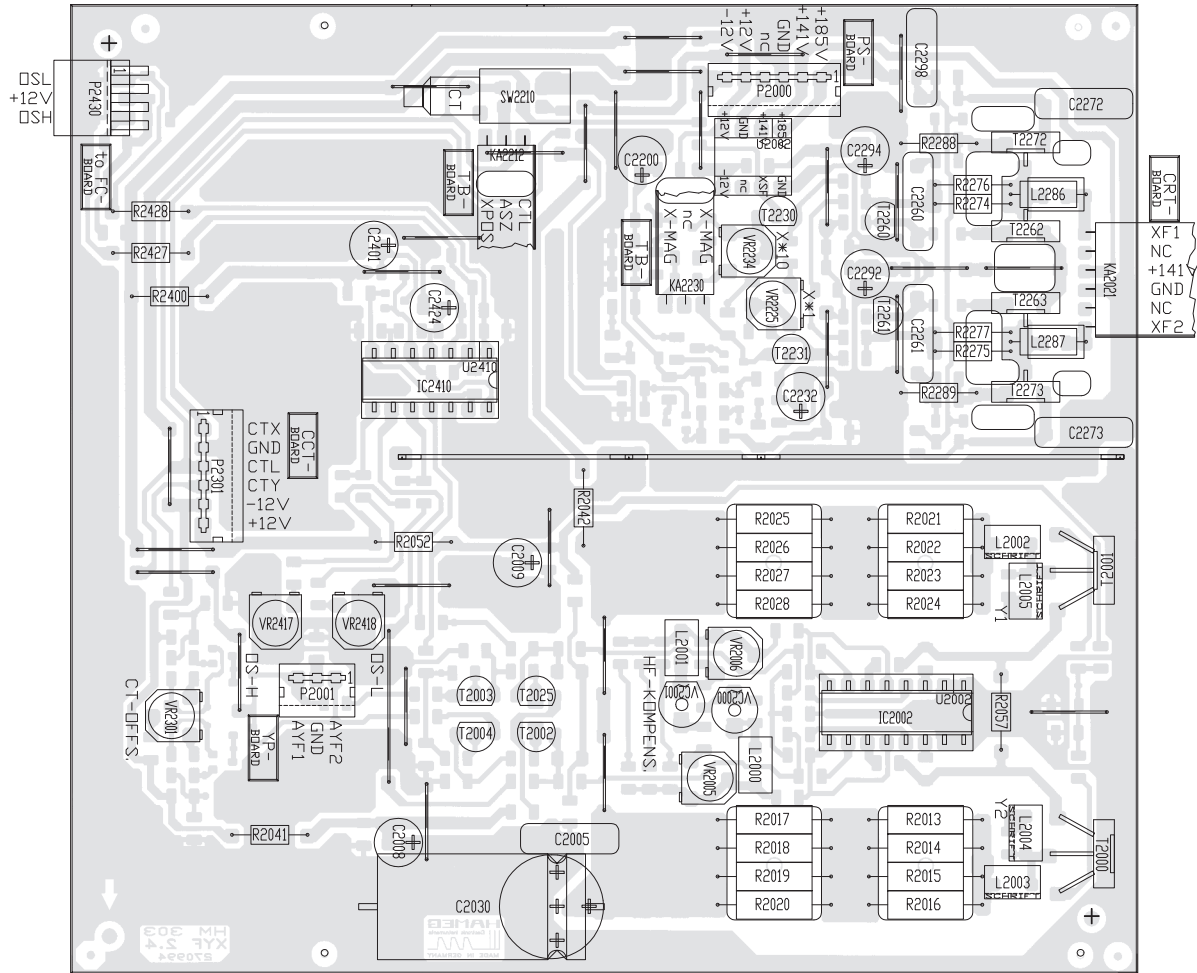
TB30323
Date: 06.02.95
Sheet 2 of 3

- R-Chip 1x 1206
- R-Chip 5x 1206
- R-Minimelf 0.5 MMA 0204
- SMA 0207 Met.Film 1x
- LCA 0207 R-Carbon 5x



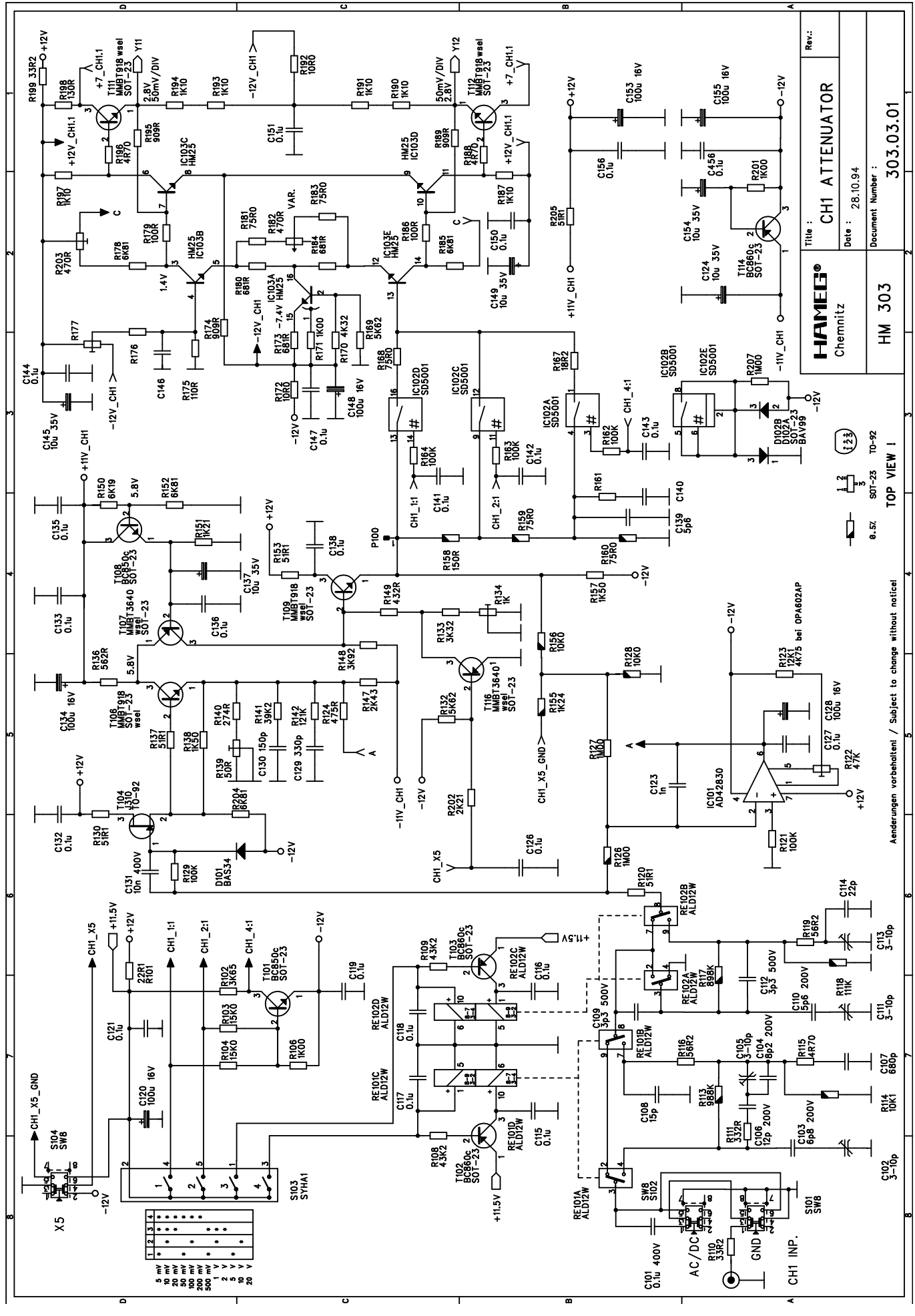






Oscilloscope

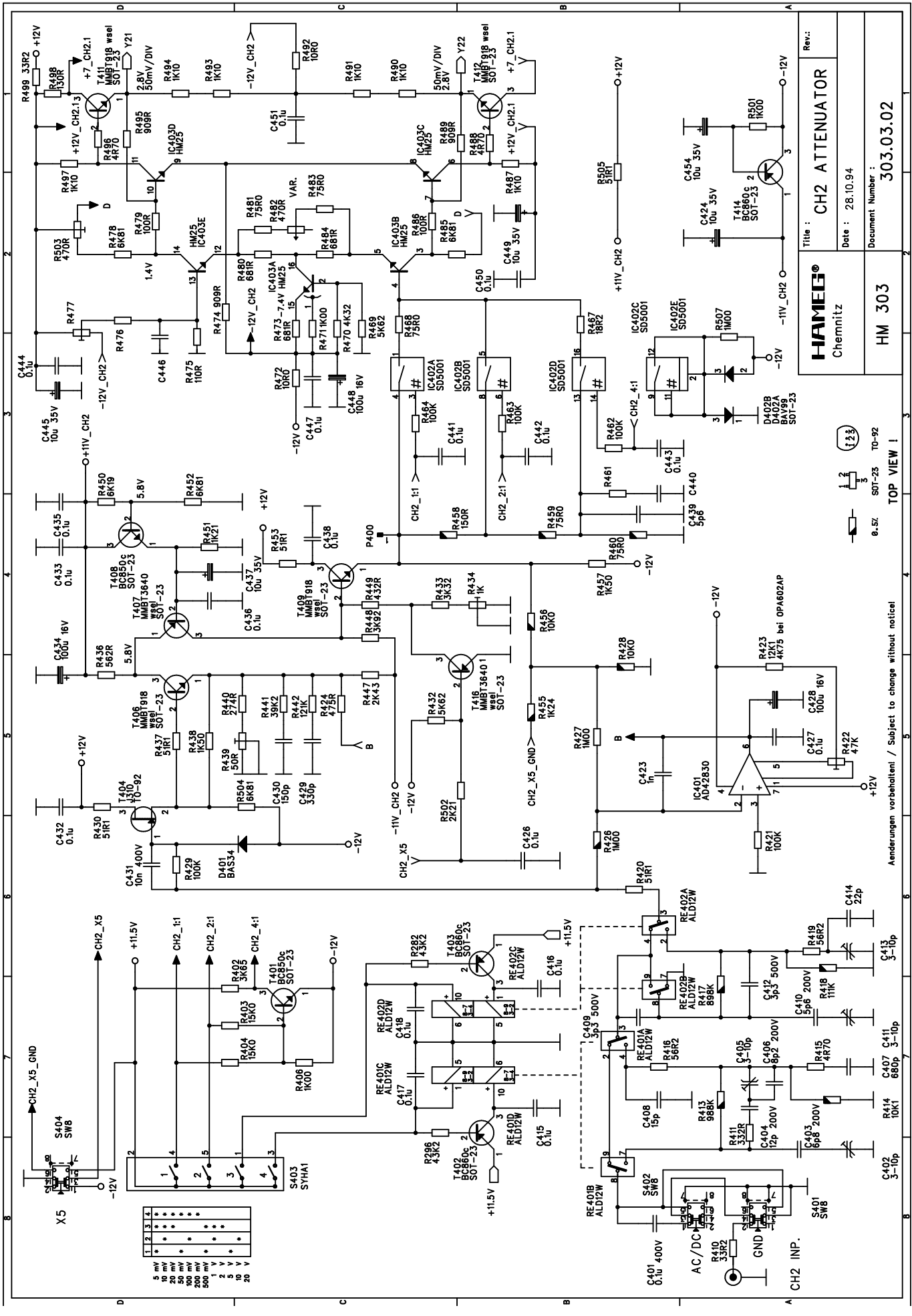
Circuit diagrams HM303 - 3



Rev.:
HAMEG®
 Chemnitz
HM 303
CH1 ATTENUATOR
 Date: 28.10.94
 Document Number: 303.03.01

TOP VIEW I
 0.57 80T-25 10-92
 1 2 3
 4 5
 6 7 8

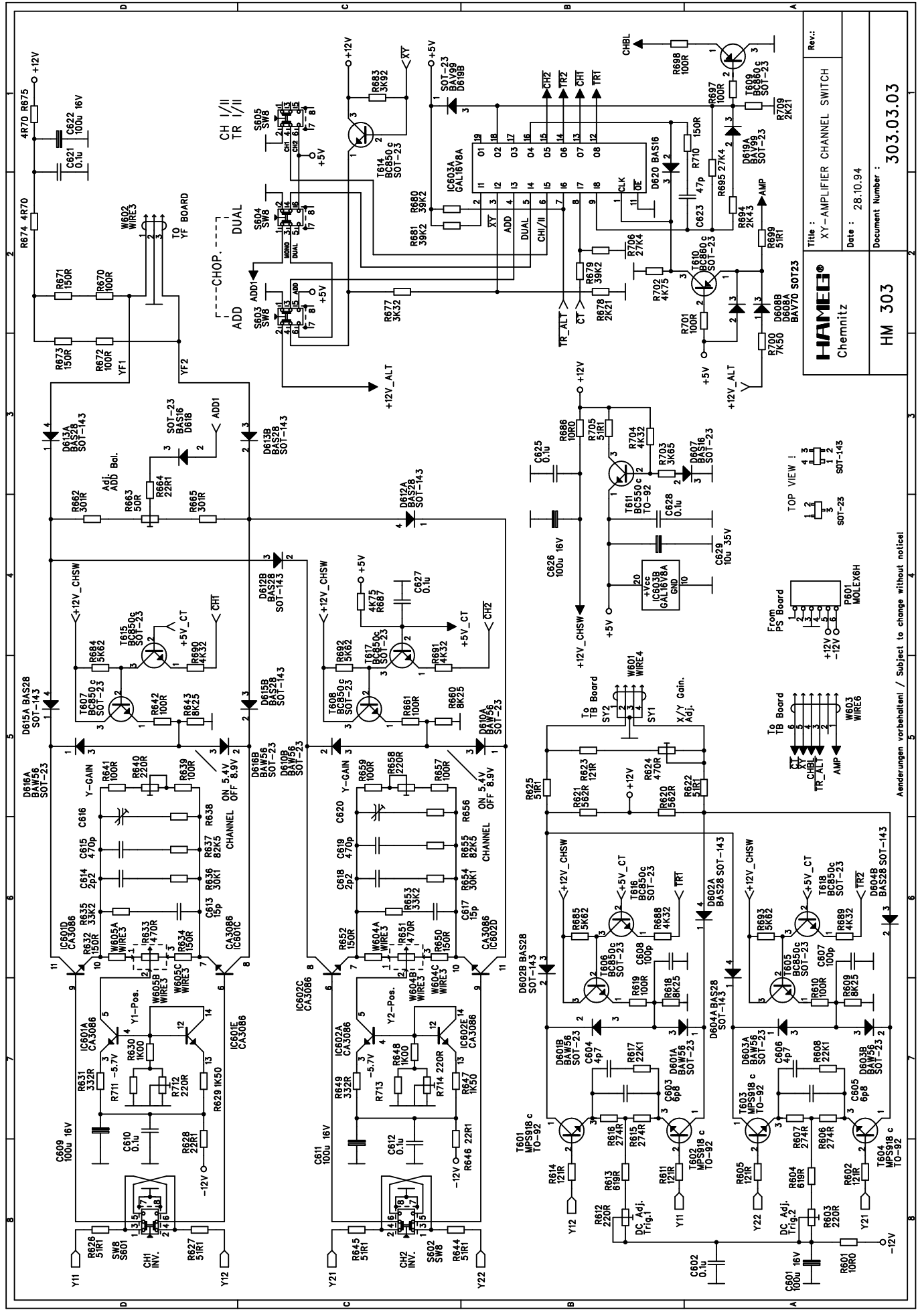
Anderungen vorbehalten! / Subject to change without notice

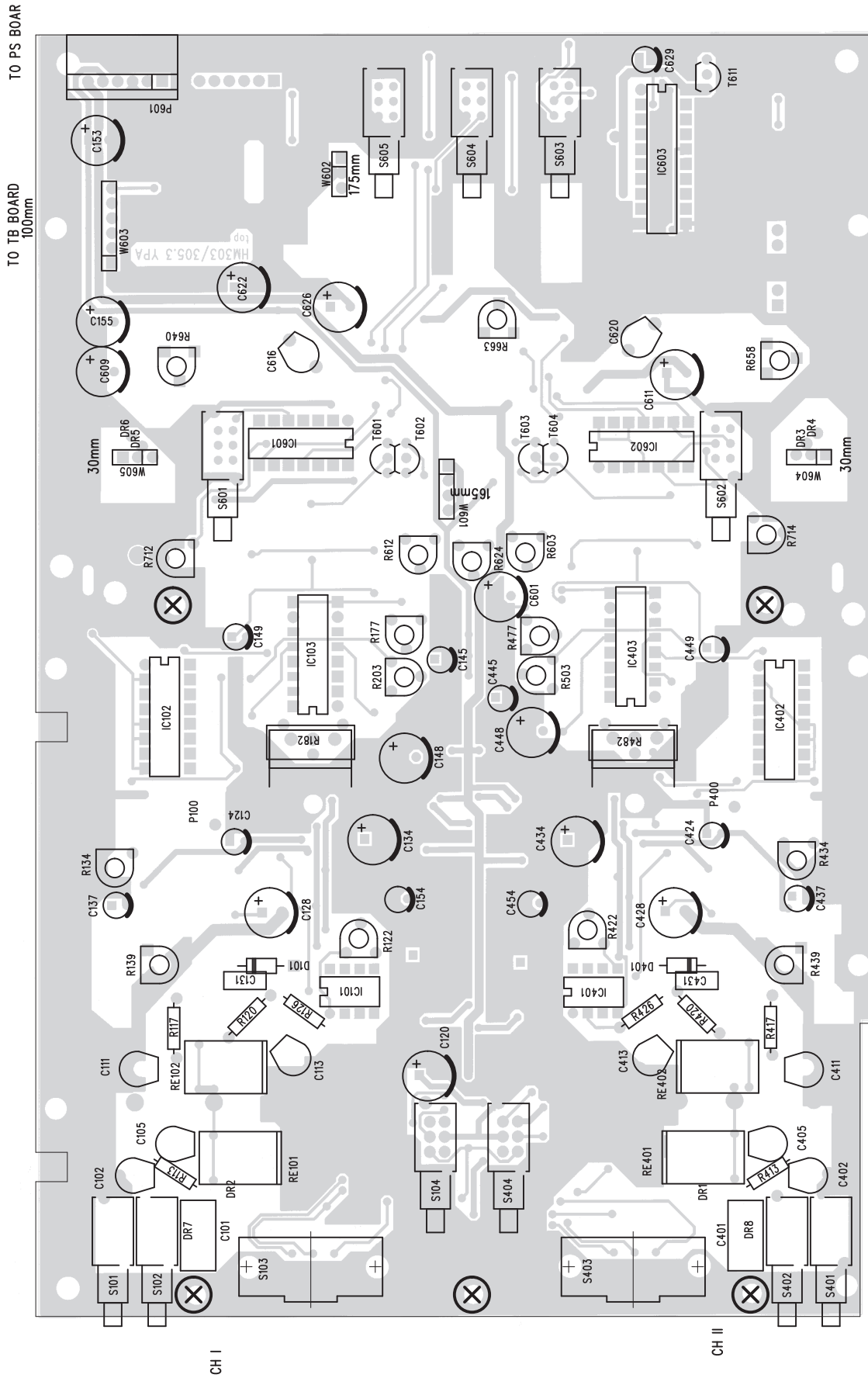


Rev.:
CH2 ATTENUATOR
 Date : 28.10.94
 Document Number : **303.03.02**

HAMEG®
 Chemnitz
HM 303
 Rev. 0.5Z S01-23 TO-92
TOP VIEW I

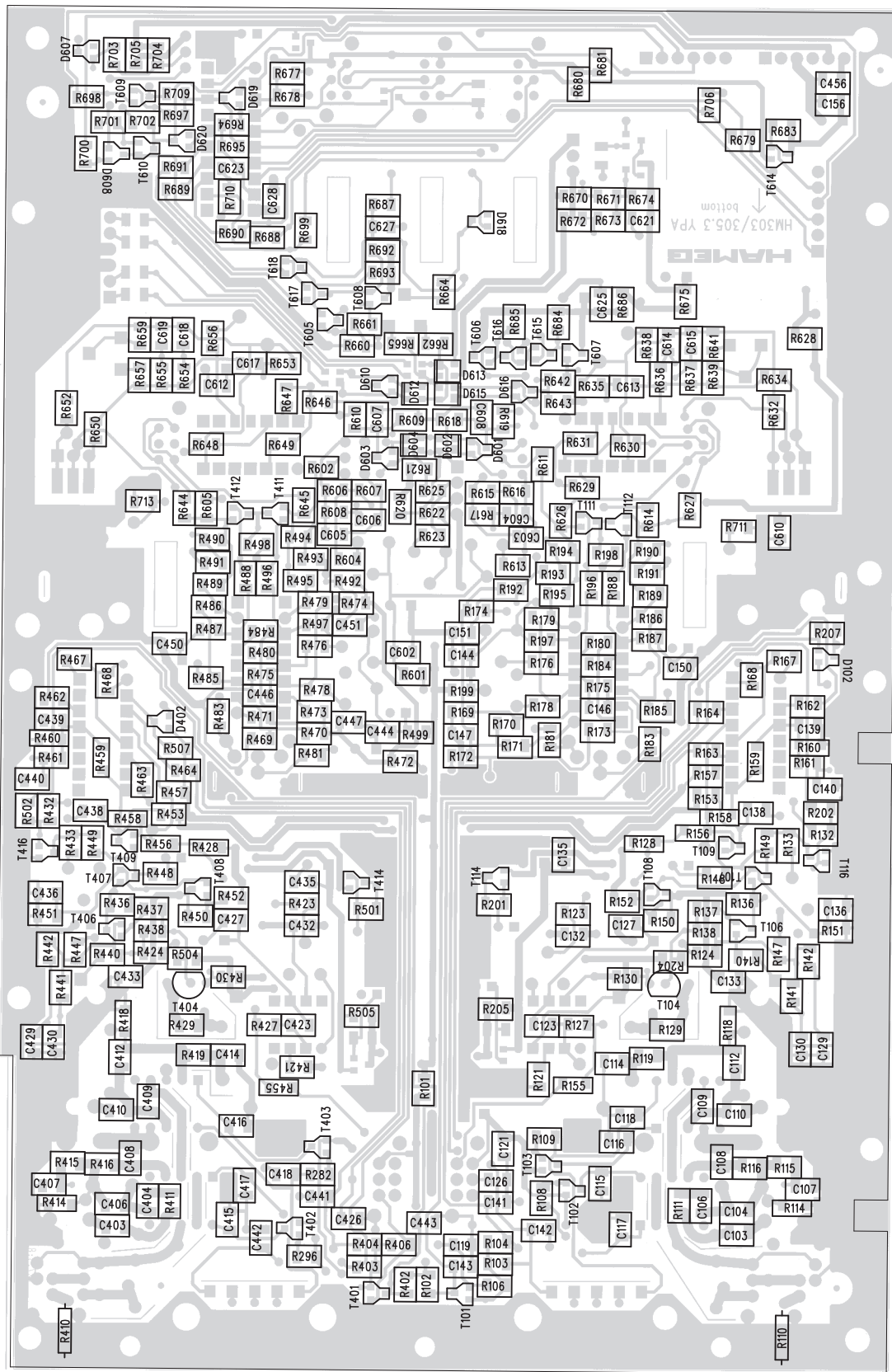
Aenderungen vorbehalten / Subject to change without notice





HM 303.3 YPA REF5 TOP L 28.10.94 TOP 28.10.94

28.10.94
HM 303/305.3 YPA REF BOTTOM
28.10.94



HAMEG[®]

Instruments

Oscilloscopes

Multimeters

Counters

Frequency Synthesizers

Generators

R- and LC-Meters

Spectrum Analyzers

Power Supplies

Curve Tracers

Time Standards

Printed in Germany

Germany

HAMEG GmbH

Industriestraße 6
63533 Mainhausen
Tel. (06182) 8909 - 0
Telefax (06182) 8909 - 30
E-mail: sales@hameg.de

HAMEG Service

Kelsterbacher Str. 15-19
60528 FRANKFURT am Main
Tel. (069) 67805 - 24
Telefax (069) 67805 - 31
E-mail: service@hameg.de

France

HAMEG S.a.r.l

5-9, av. de la République
94800-VILLEJUIF
Tél. (1) 4677 8151
Telefax (1) 4726 3544
E-mail: hamegcom@magic.fr

Spain

HAMEG S.L.

Villarroel 172-174
08036 BARCELONA
Teléf. (93) 4301597
Telefax (93) 321220
E-mail: email@hameg.es

Great Britain

HAMEG LTD

74-78 Collingdon Street
LUTON Bedfordshire LU1 1RX
Phone (01582)413174
Telefax (01582)456416
E-mail: sales@hameg.co.uk

United States of America

HAMEG, Inc.

266 East Meadow Avenue
EAST MEADOW, NY 11554
Phone (516) 794 4080
Toll-free (800) 247 1241
Telefax (516) 794 1855
E-mail: hamegny@aol.com

Hongkong

HAMEG LTD

Flat B, 7/F,
Wing Hing Ind. Bldg.,
499 Castle Peak Road,
Lai Chi Kok, Kowloon
Phone (852) 2 793 0218
Telefax (852) 2 763 5236
E-mail: hameghk@netvigator.com

4S-0303-03E0