

AC Board
 Diagram 2
 Top and bottom side 3

AT Board
 Diagram 4
 Top and bottom side 5

RA Board
 Diagram 6
 Top and bottom side 7

RB Board
 Diagram 8
 Top and bottom side 9

TG Board
 Diagram 10-11
 Top and bottom side 12

Digital Board
 Diagram 13-18
 Top side 19
 Bottom side 20

FC Board
 Diagram 21-22
 Top side 23
 Bottom side 24

XY Board
 Diagram 25-26
 Top side 27
 Bottom side 28

ZF Board
 Diagram 29-30
 Top side 31
 Bottom side 32

CRT Board
 Diagram 33
 Top and bottom side 34

PS Board
 Diagram 35
 Top side 36
 Bottom side 37

PSP and PSS Board
 Top side 38

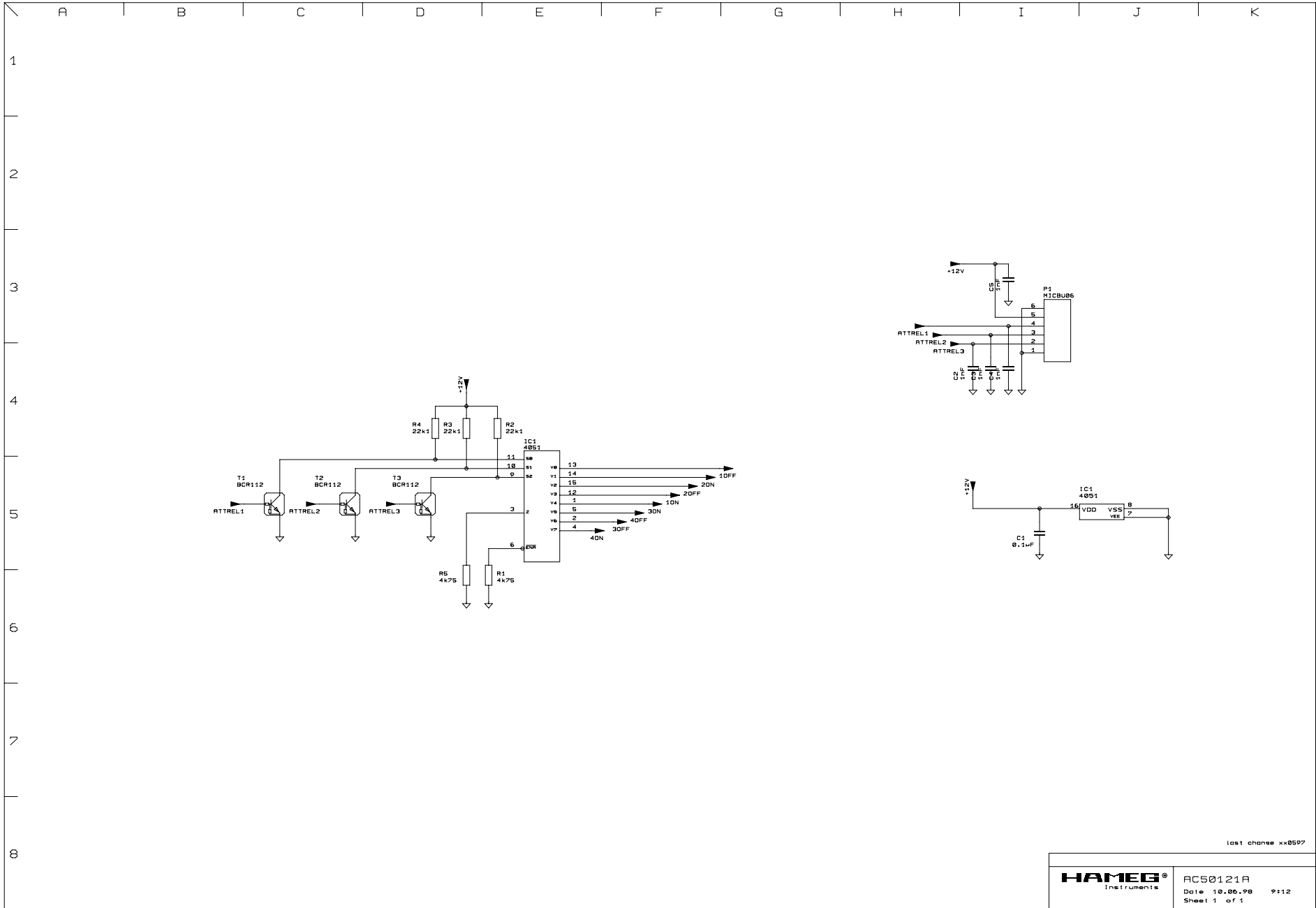
PA Board
 Diagram 39
 Top and bottom side 40



Service Manual
 Circuit Diagrams

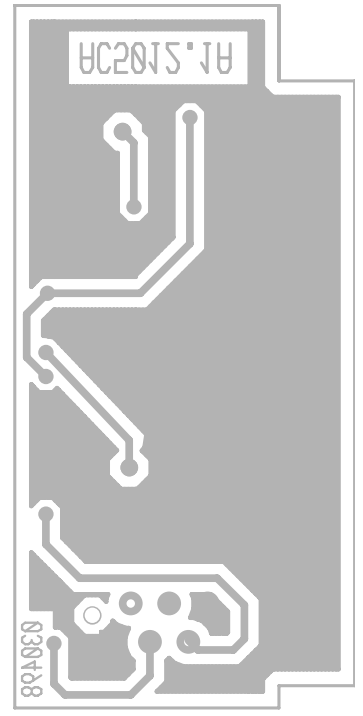
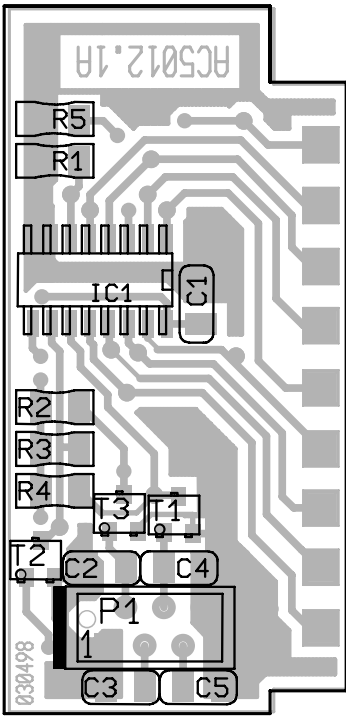
HM5012/14

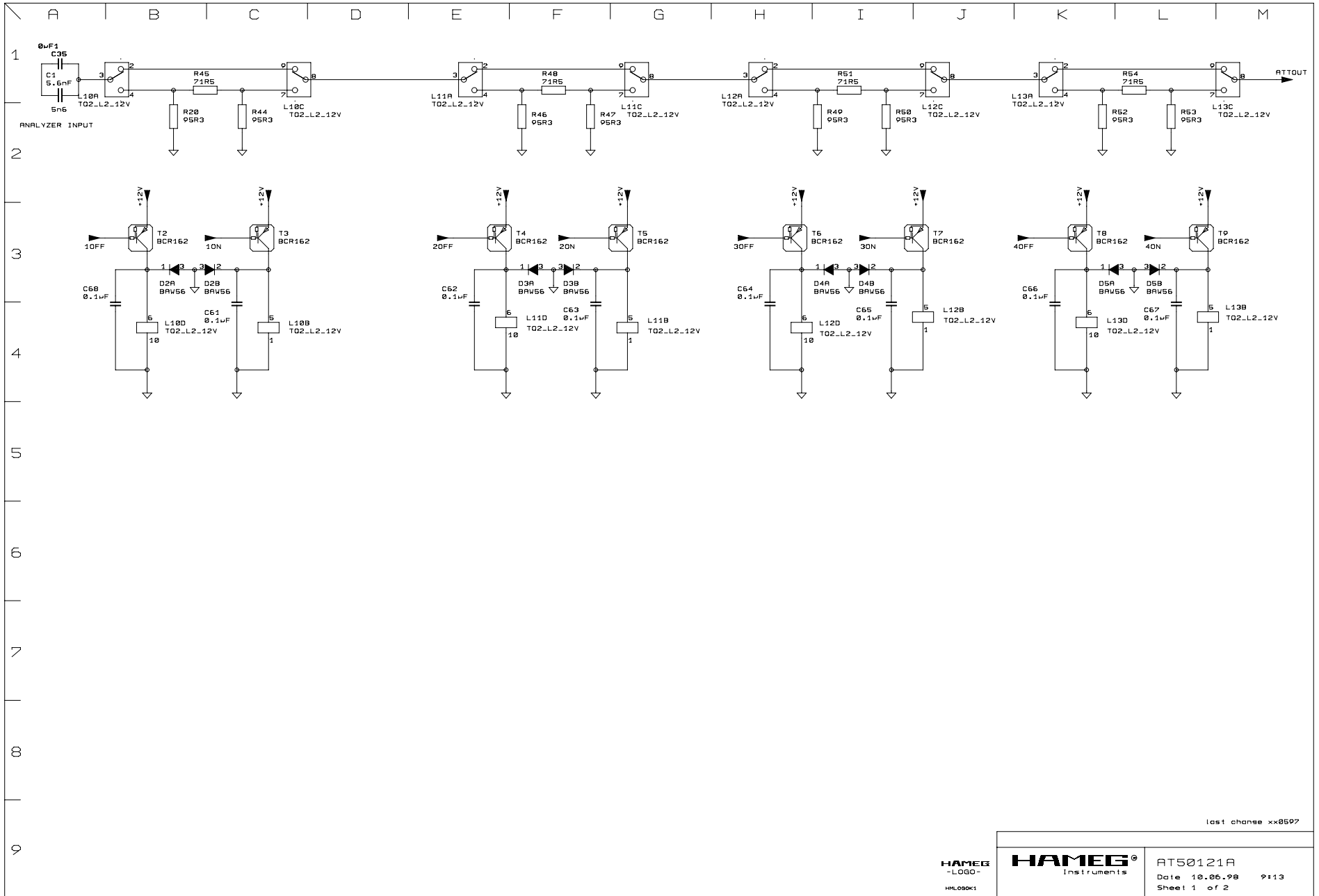
St. 030998, fell/goRR



last change xx0597

HAMEG Instruments	AC50121A
	Date 10.05.98 9:12
	Sheet 1 of 1

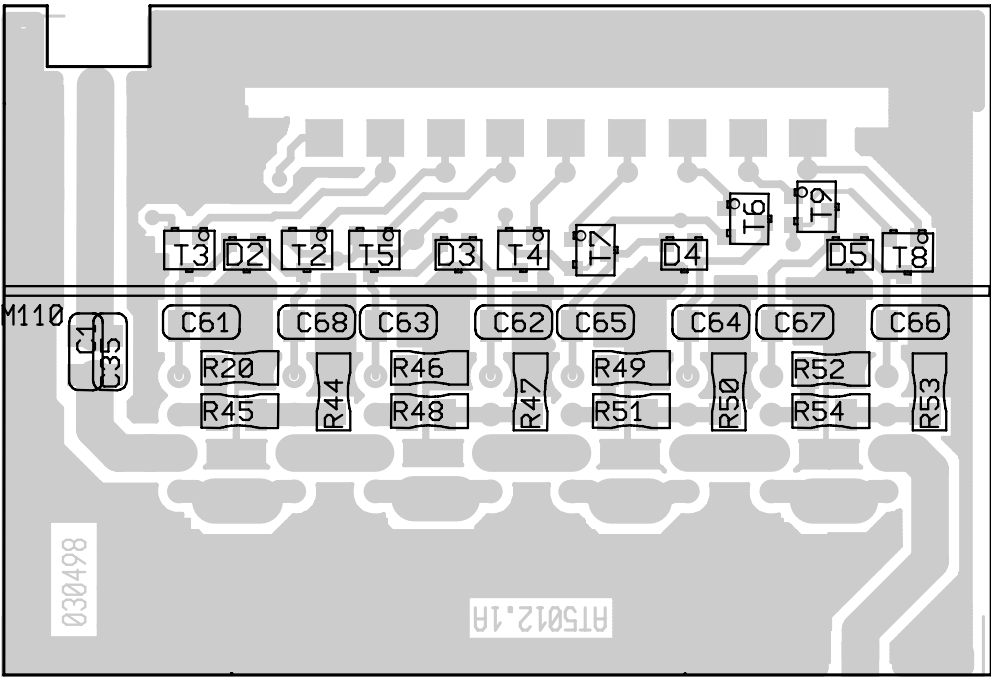
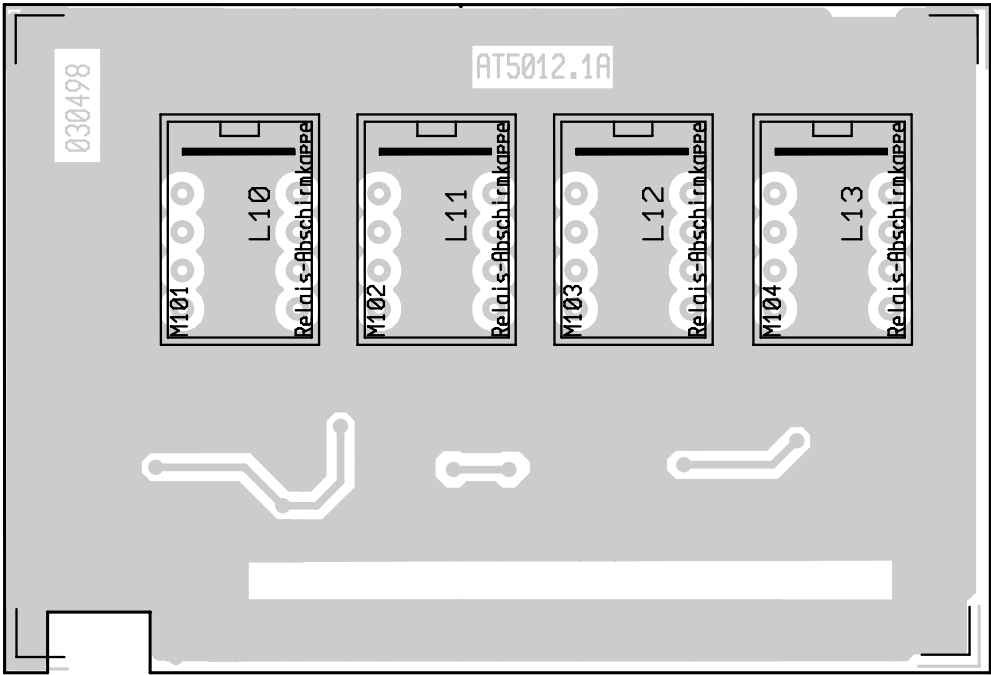


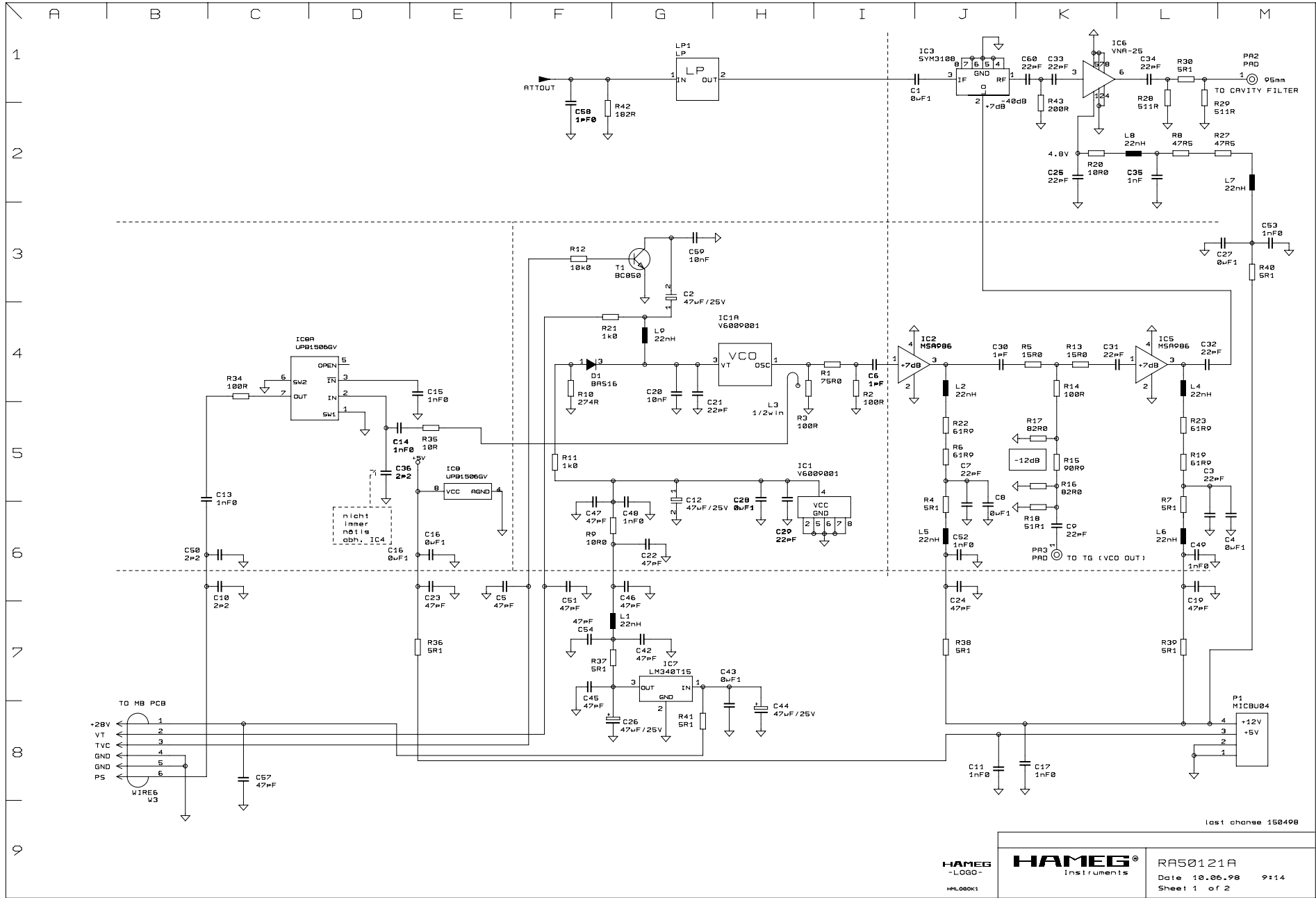


last change xx0597



AT50121A
Date 10.05.98 9:13
Sheet 1 of 2



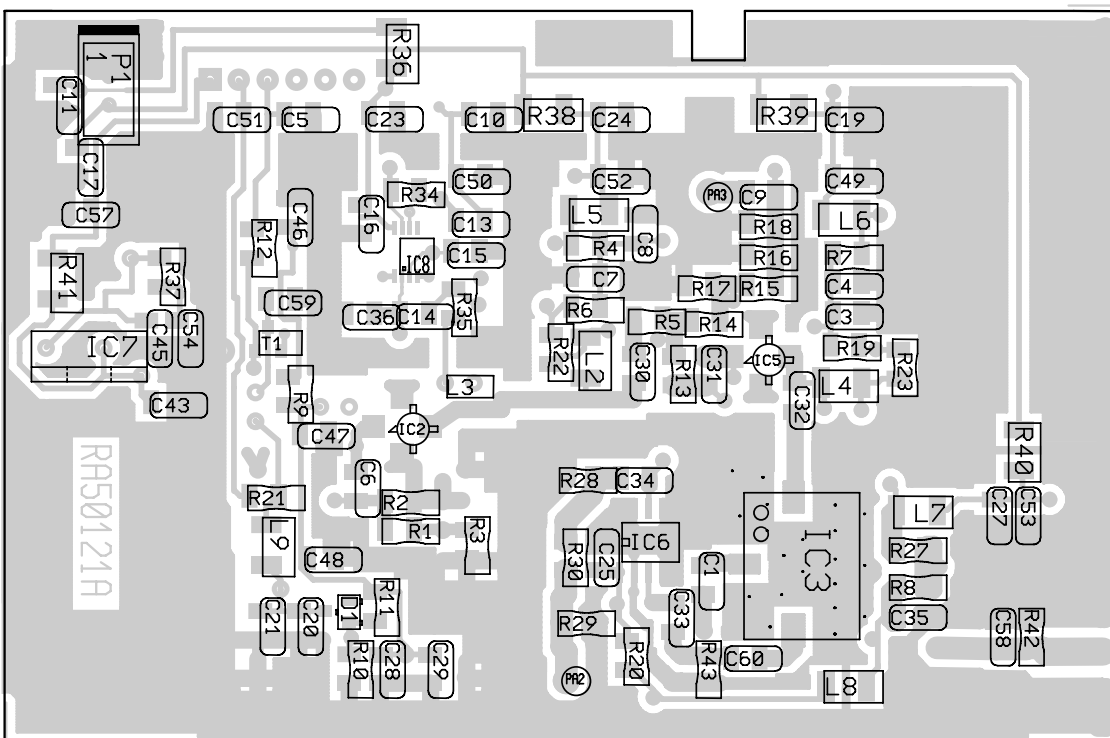
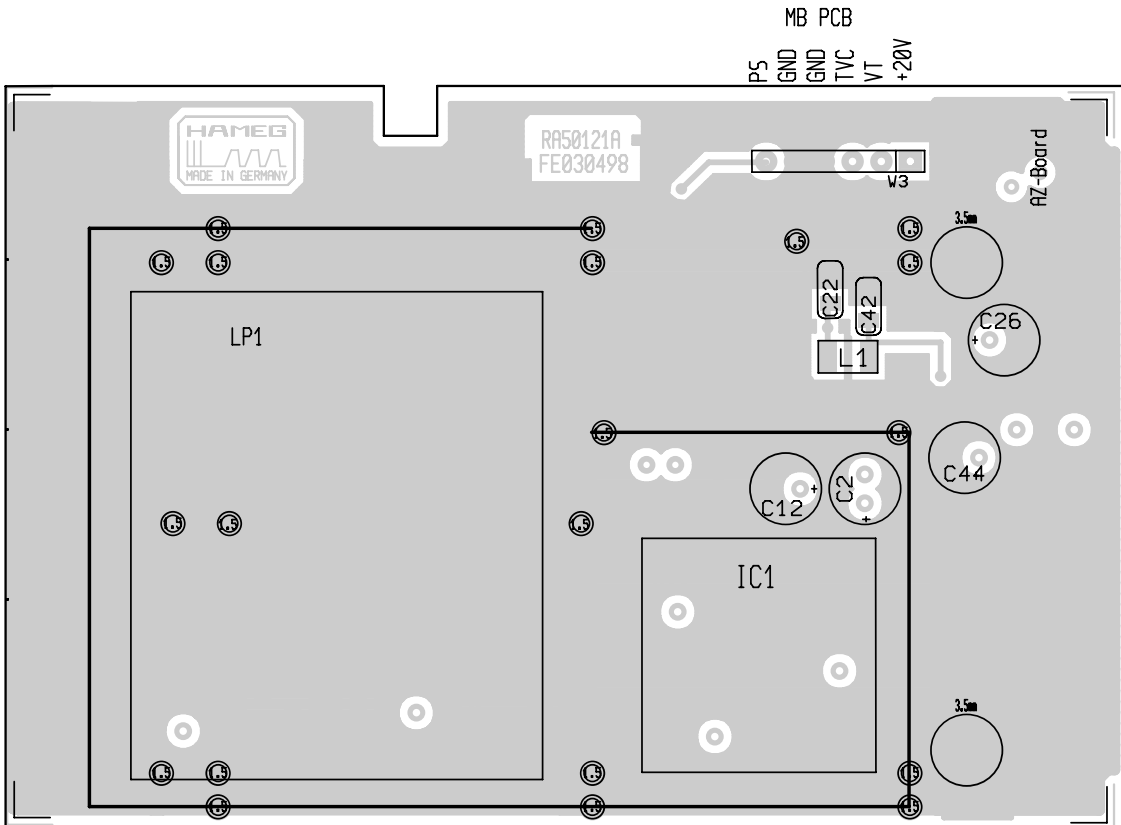


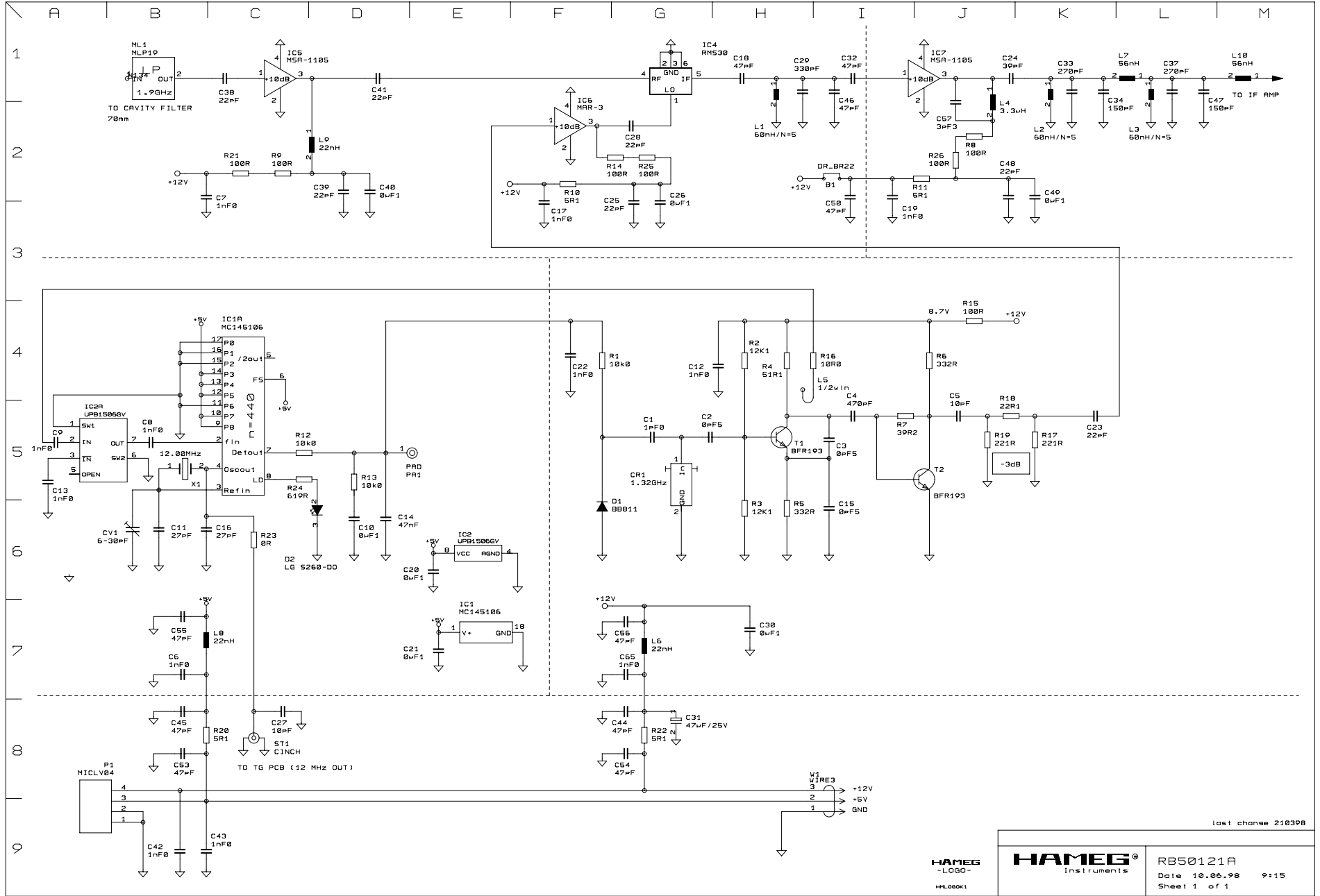
last change 158498

HAMEG
-LOGO-
HML060K1

HAMEG
Instruments

RA50121A
Date 10.05.98
Sheet 1 of 2

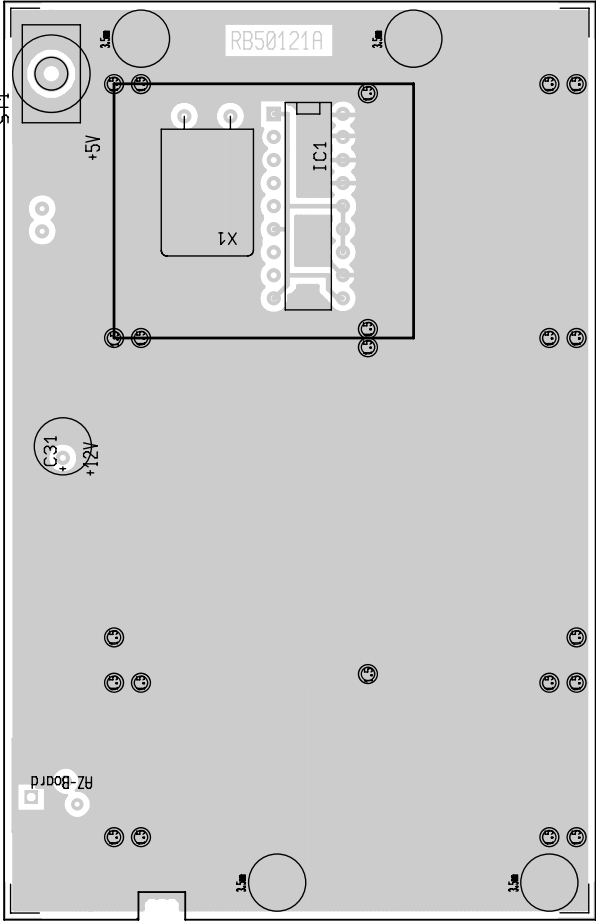
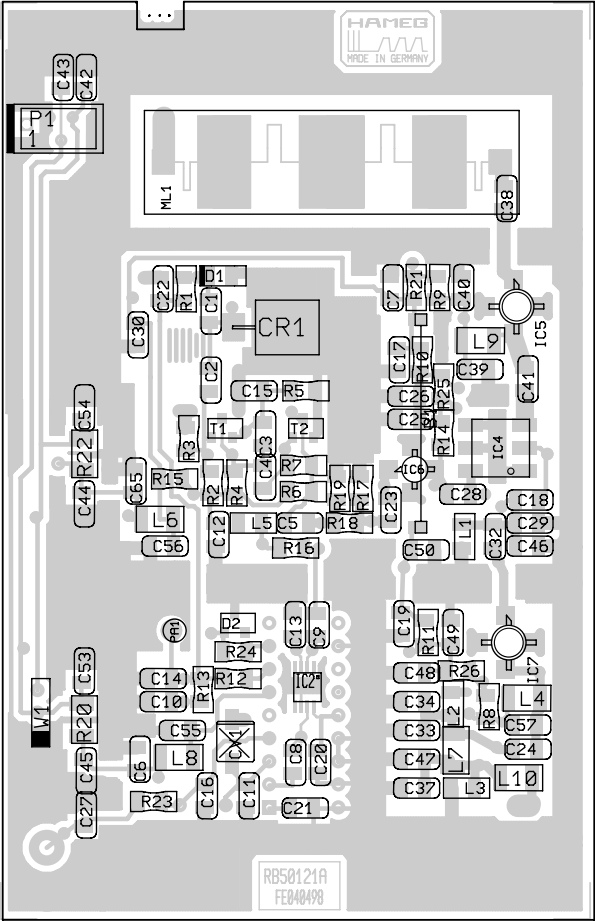


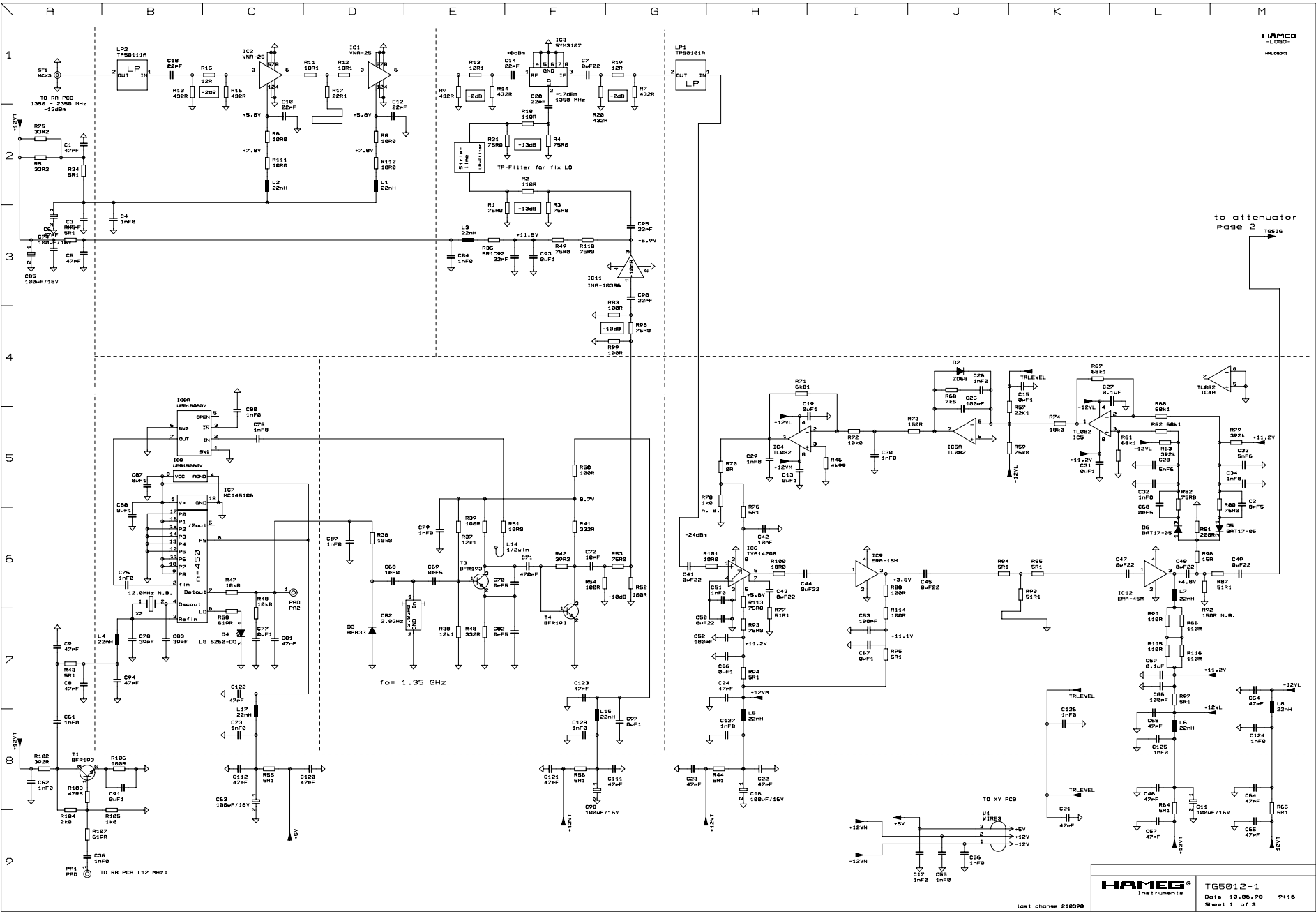


HAMEG
-LOGO-
HML090K1

HAMEG Instruments		RB50121A	
		Date 10.05.98	9:15
		Sheet 1 of 1	

RB Board - Top and bottom side



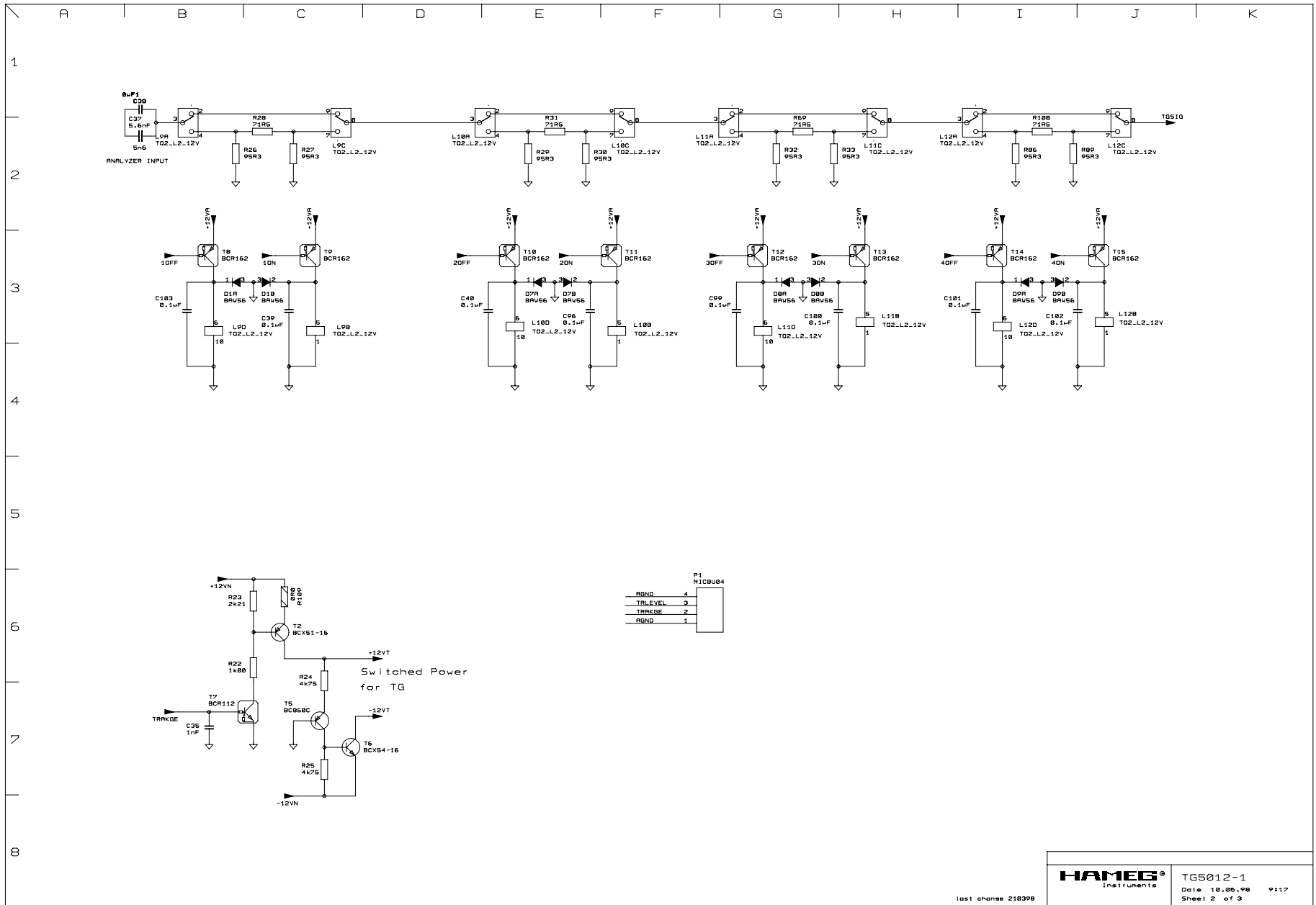


to attenuator page 2

TRLEVEL

TRLEVEL

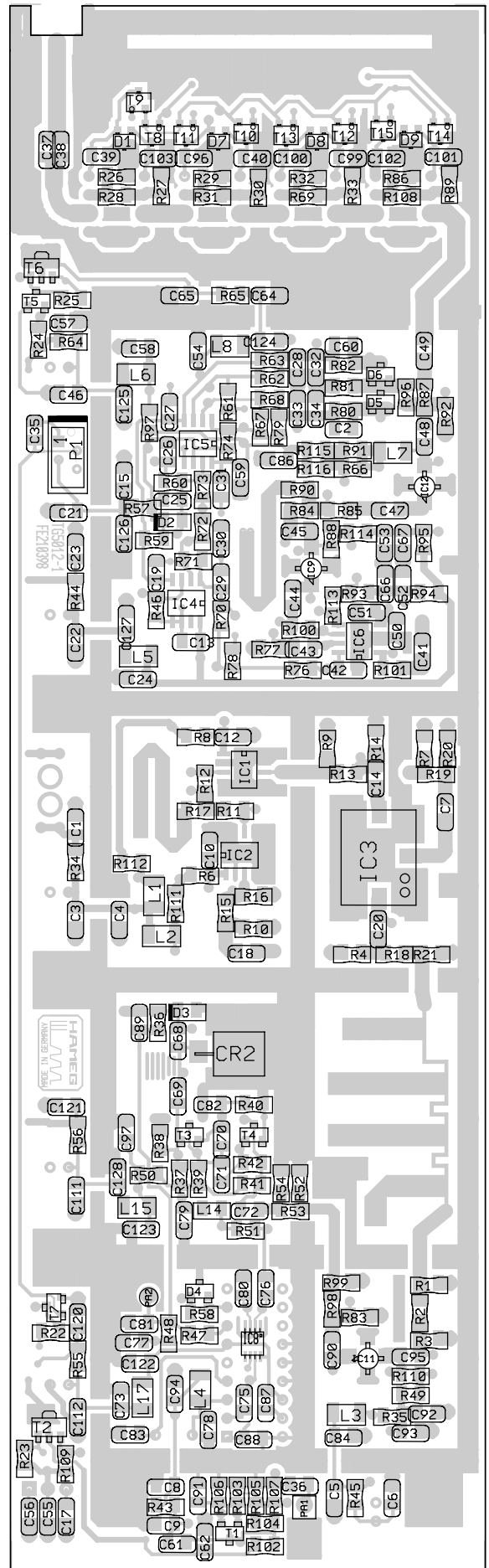
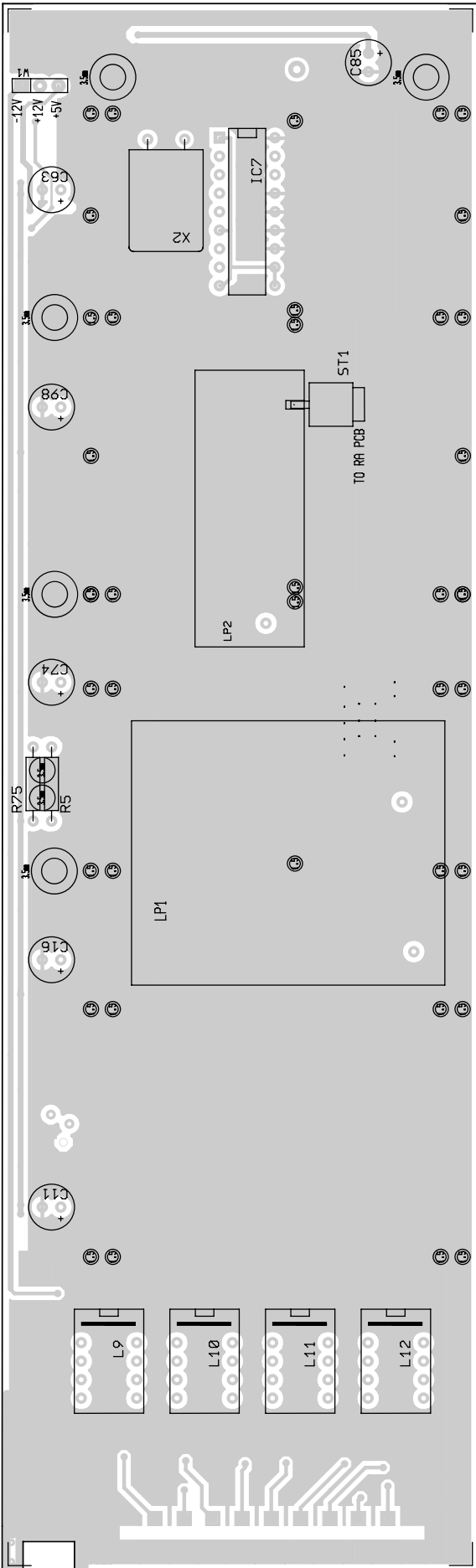
TRLEVEL

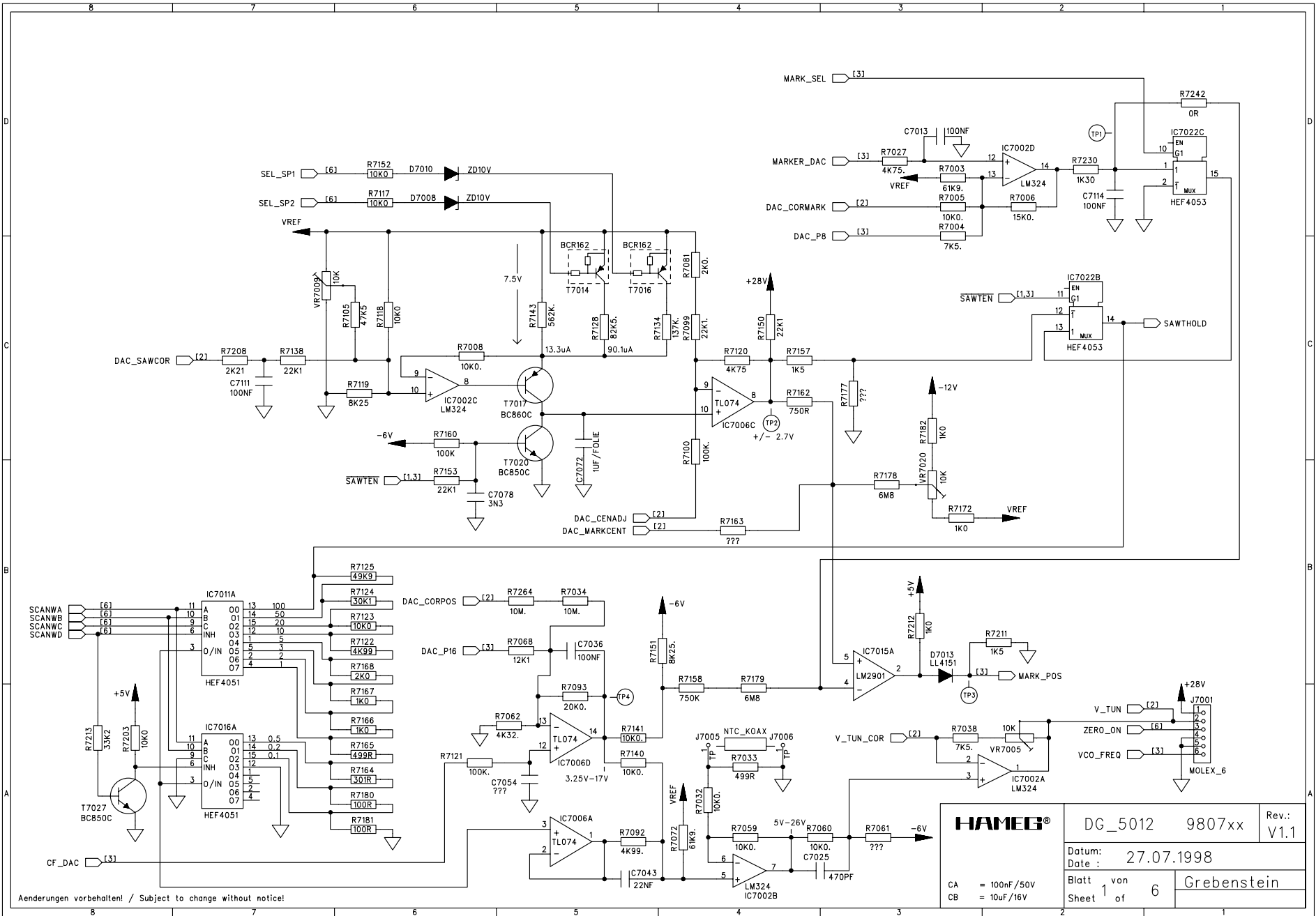


HAMEG Instruments	TG5012-1
	Date 10.00.98 9:17
	Sheet 2 of 3

last change 210398

TG Board - Top and bottom side

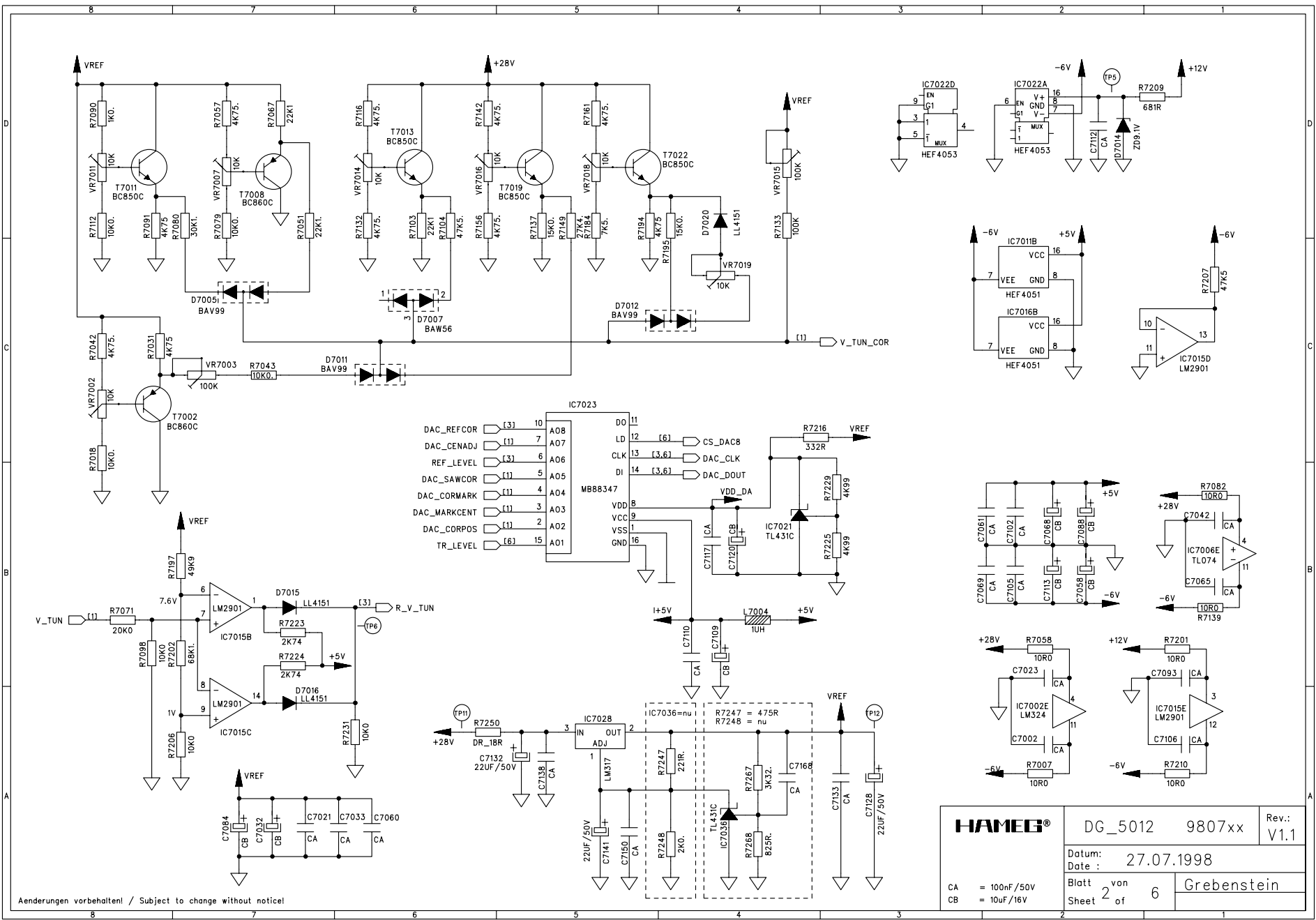




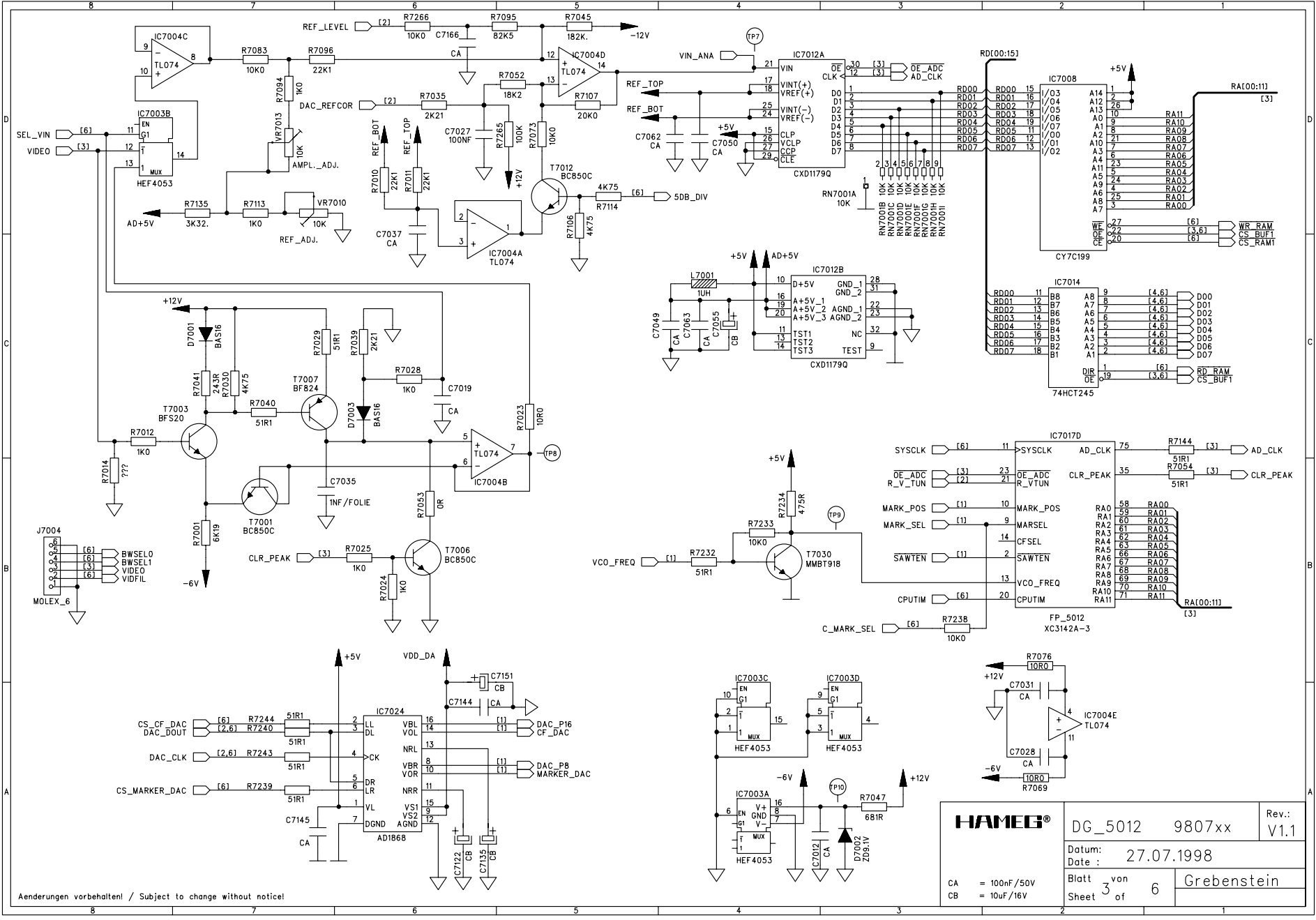
Aenderungen vorbehalten! / Subject to change without notice!

HAMEG
 CA = 100nF/50V
 CB = 10uF/16V

DG_5012	9807xx	Rev.: V1.1
Datum: 27.07.1998		
Blatt 1 von 6		
Sheet 1 of 6		
Grebenstein		



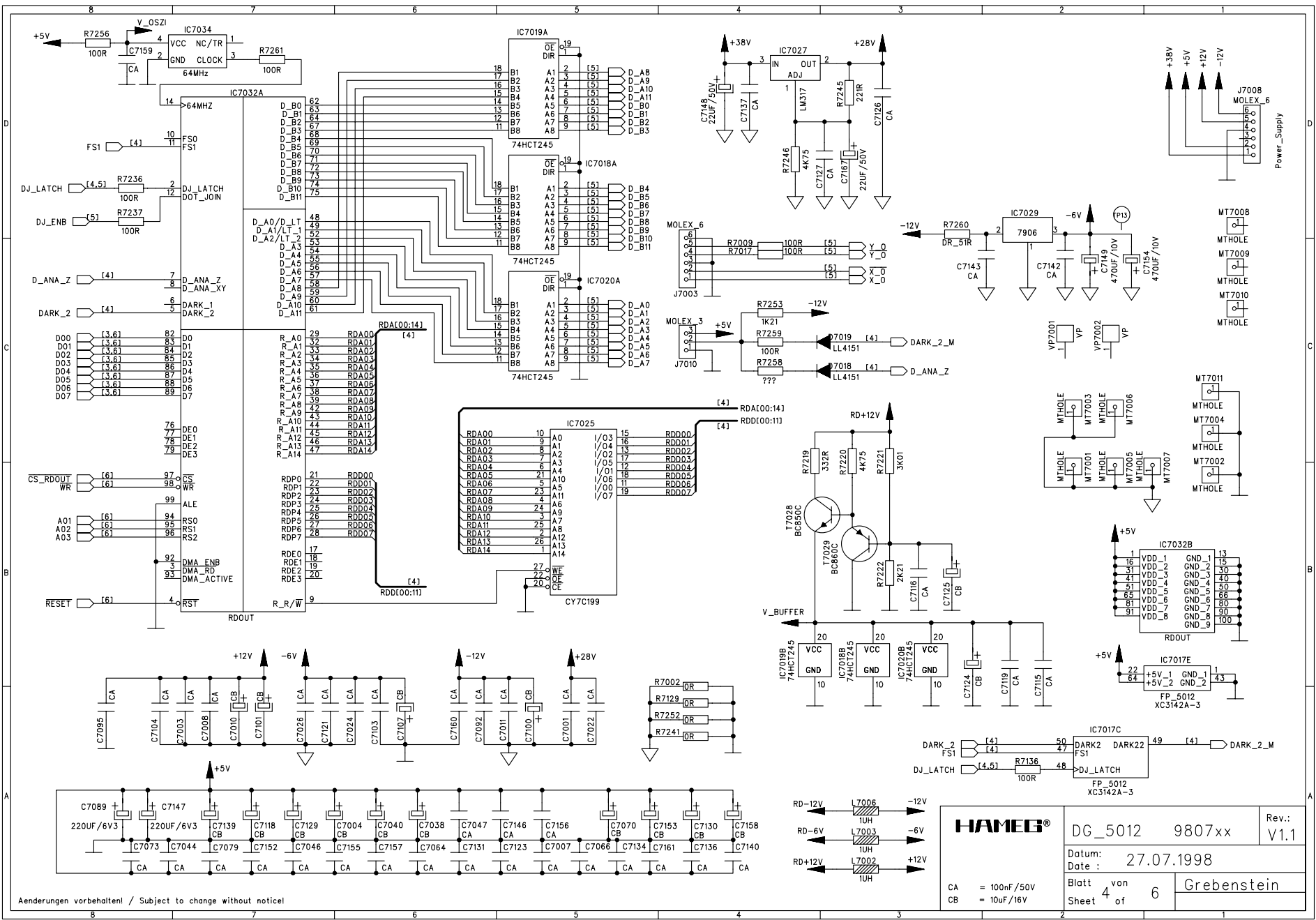
Aenderungen vorbehalten! / Subject to change without notice!



HAMEG®		DG_5012	9807xx	Rev.: V1.1
Datum:		27.07.1998		
Date:		27.07.1998		
Blatt 3 von 6		Greibenstein		
Sheet 3 of 6		Greibenstein		

Aenderungen vorbehalten! / Subject to change without notice!

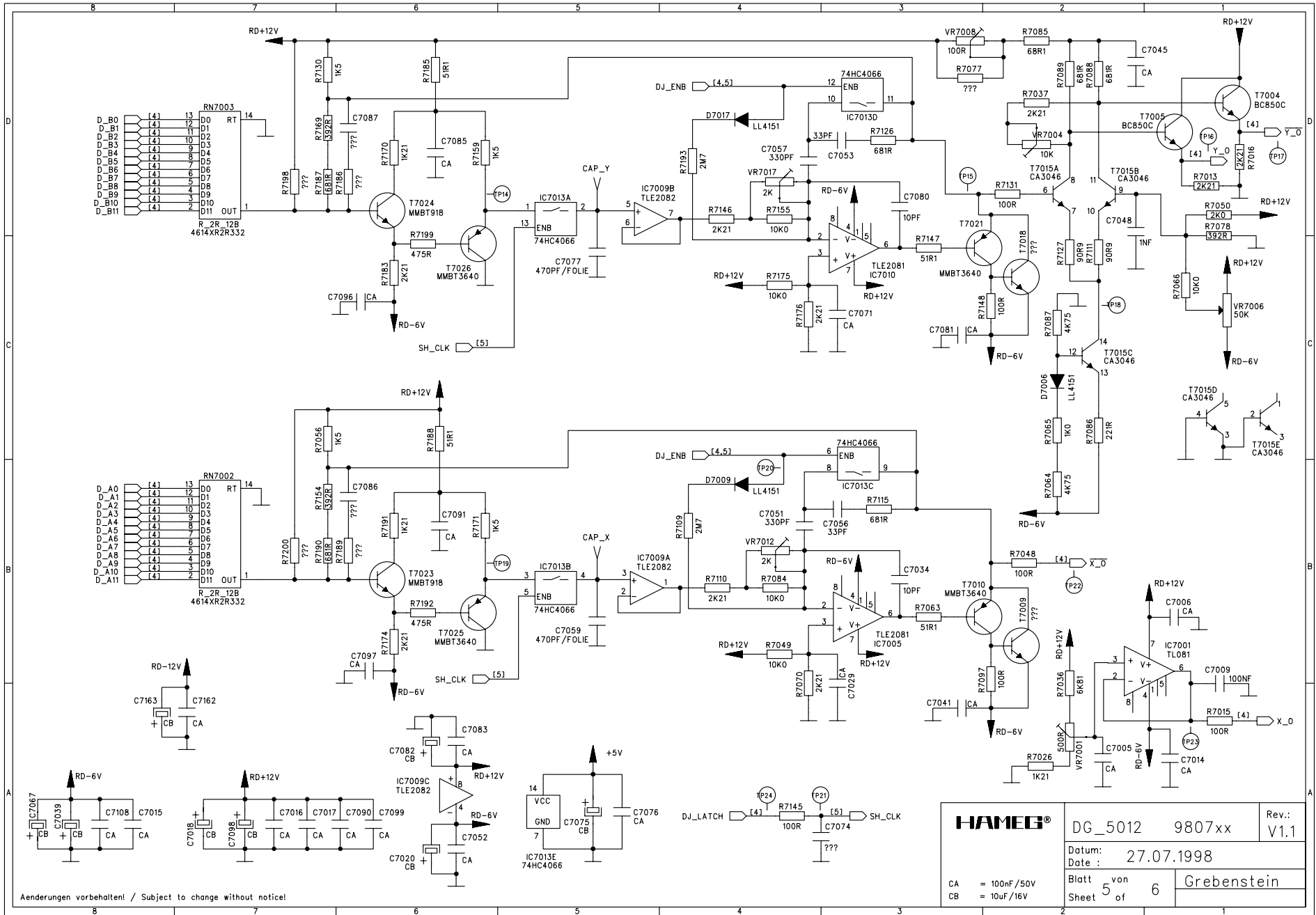
Subject to change without notice



Aenderungen vorbehalten! / Subject to change without notice!

		DG_5012 9807xx		Rev.: V1.1
		Datum: 27.07.1998		
Blatt 4 von 6		Grebenstein		

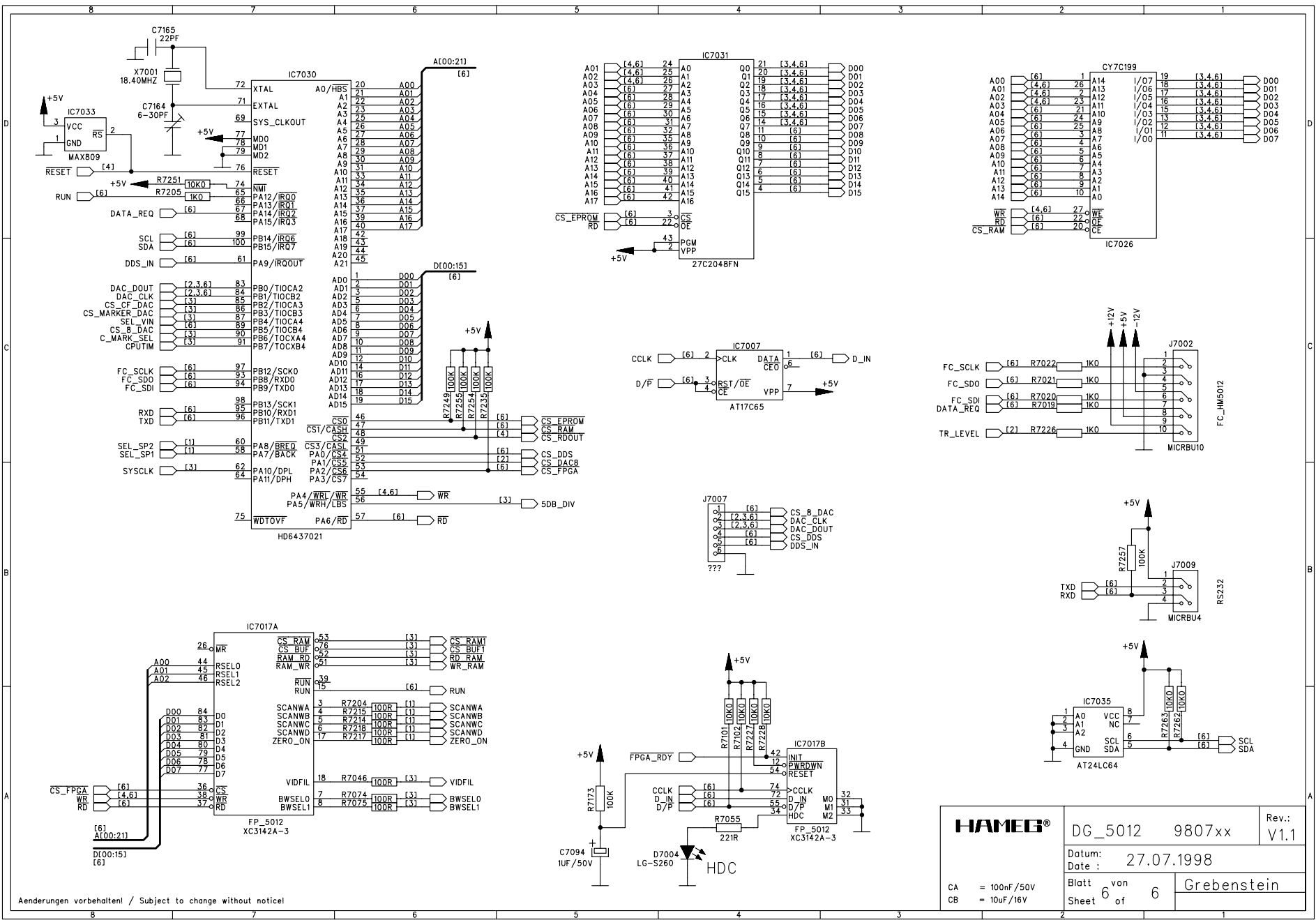
CA = 100nF/50V
 CB = 10uF/16V



Aenderungen vorbehalten! / Subject to change without notice!

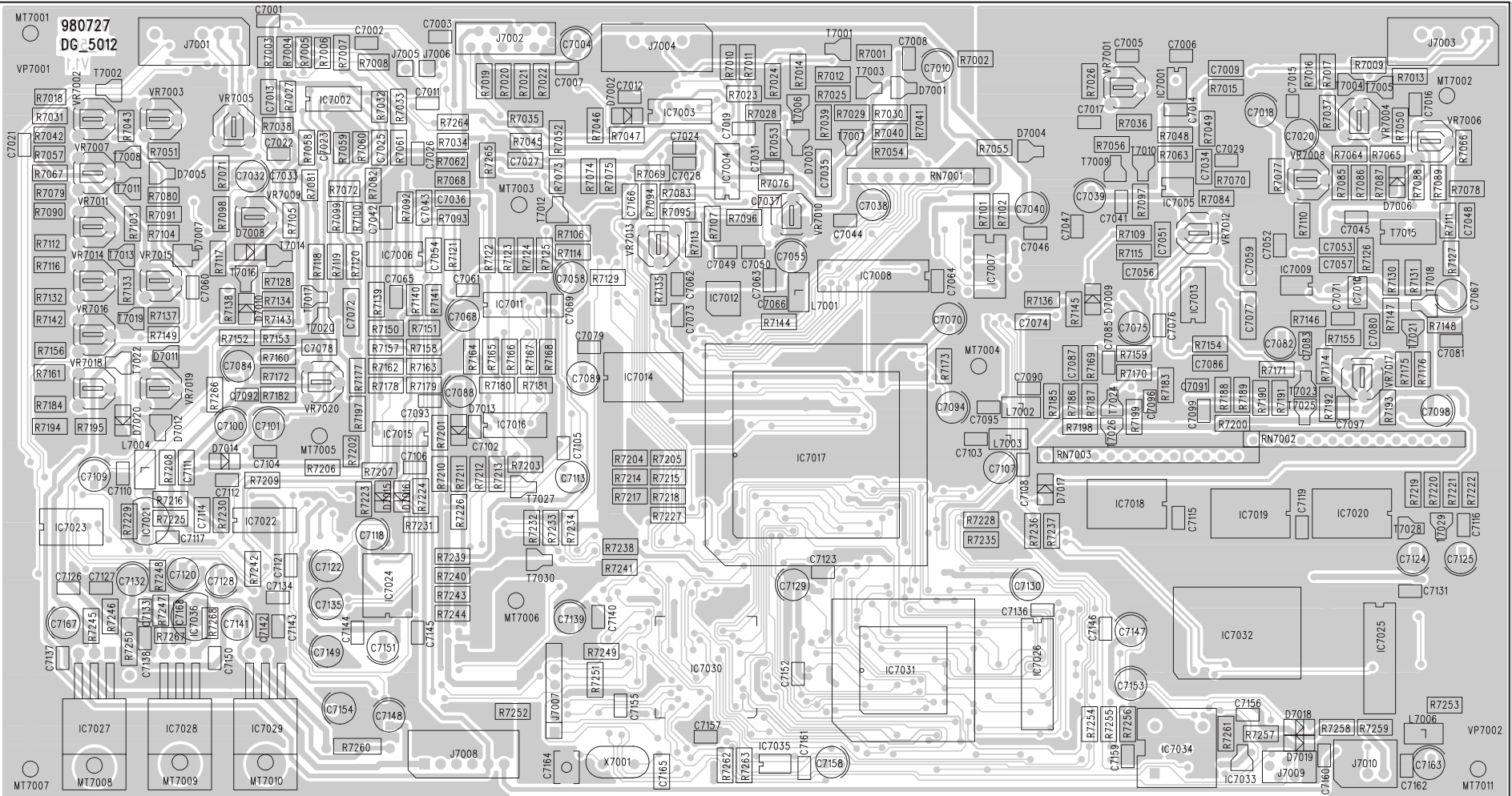
HAMEG®		DG_5012	9807xx	Rev.: V1.1
Datum:		27.07.1998		
Date:		27.07.1998		
Blatt 5 von 6		Greibenstein		
Sheet 5 of 6		Greibenstein		

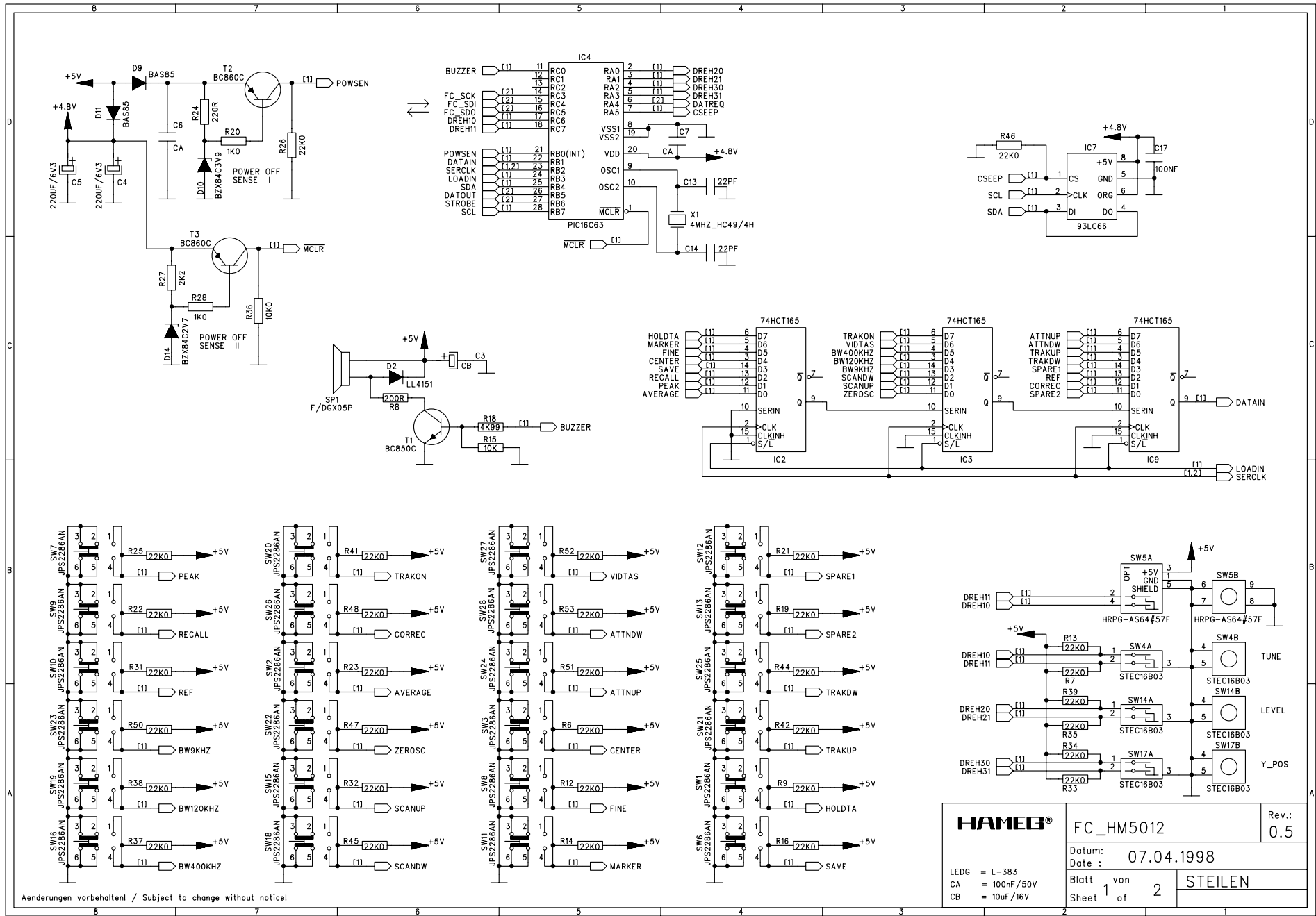
CA = 100nF/50V
CB = 10uF/16V



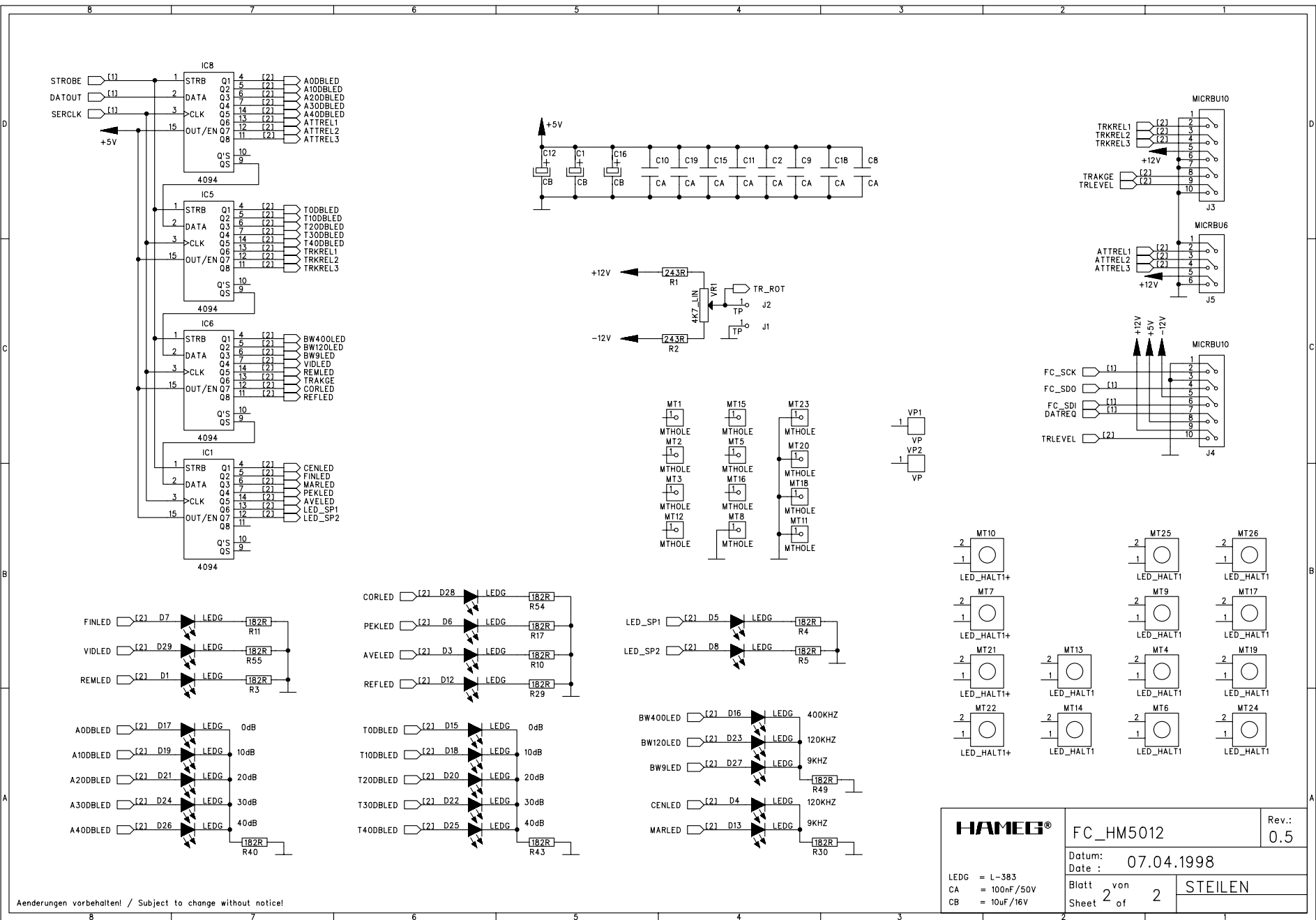
HAMEG®		DG_5012	9807xx	Rev.: V1.1
Datum:		Date: 27.07.1998		
CA = 100nF/50V	CB = 10uF/16V	Blatt 6 von 6	Grebstein	
		Sheet 6 of 6		

Aenderungen vorbehalten! / Subject to change without notice!



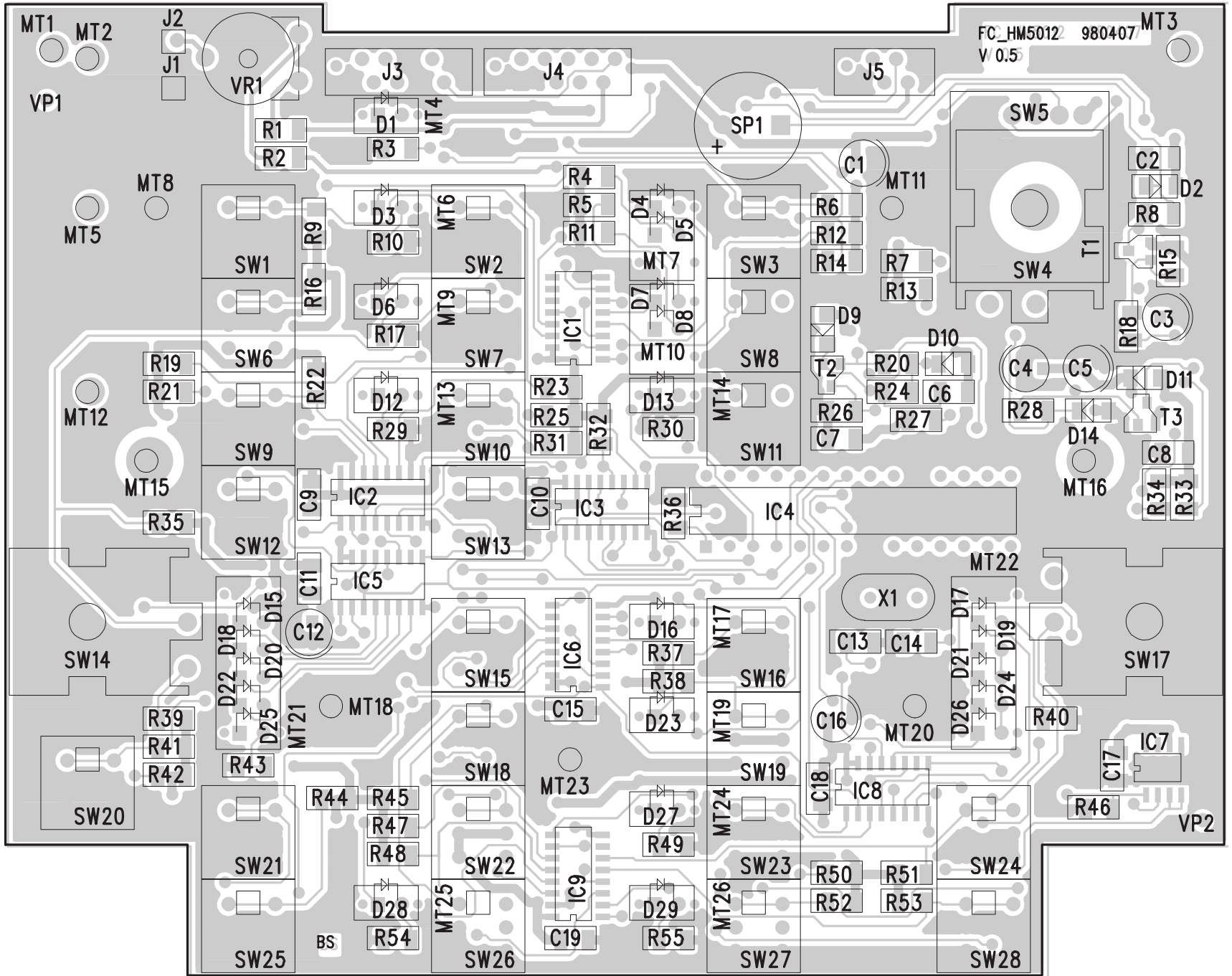


HAMEG®	FC_HM5012	Rev.: 0.5
	Datum: 07.04.1998	
LEDG = L-383 CA = 100nF/50V CB = 10uF/16V	Blatt 1 von 2	STEILEN

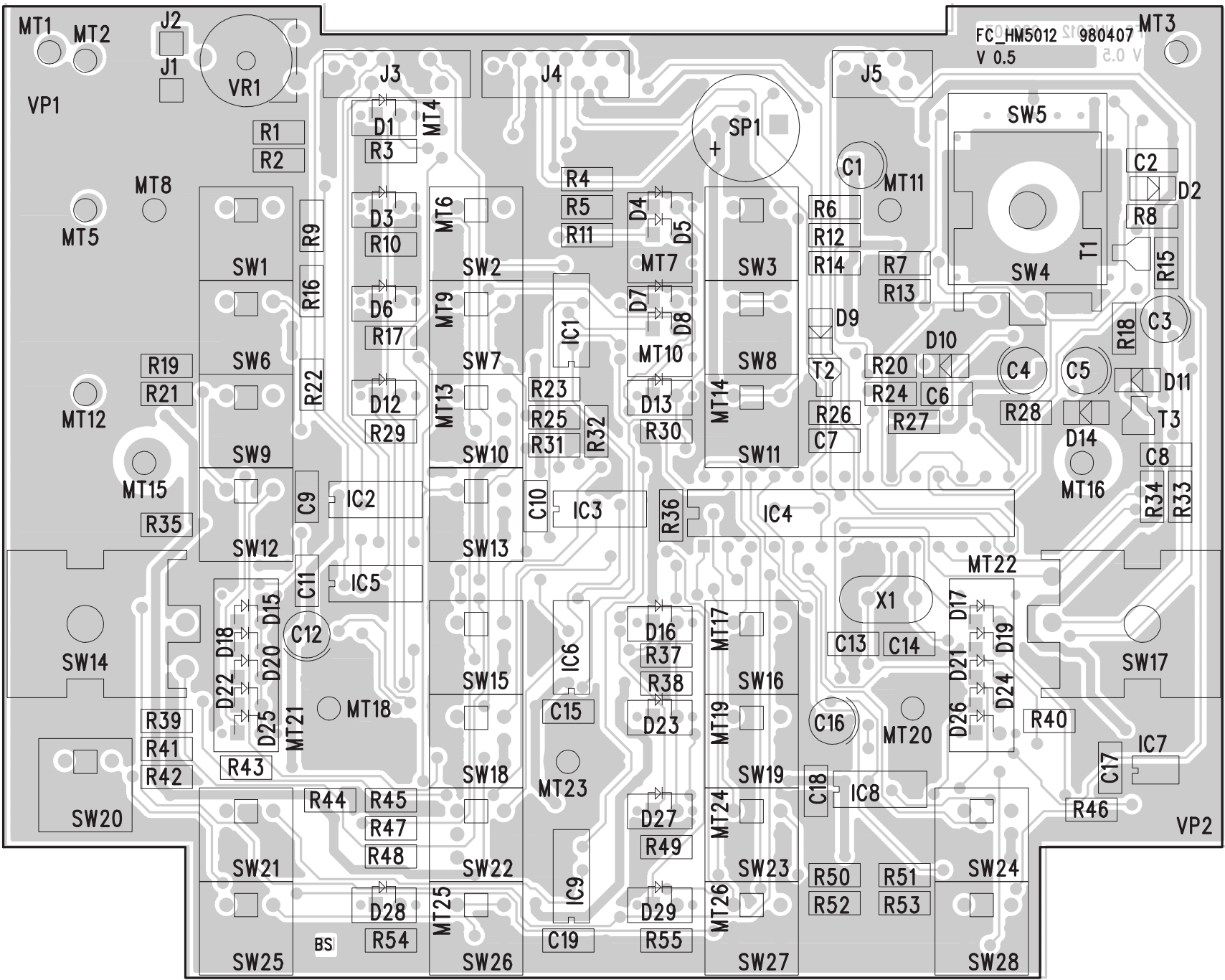


HAMEG®		FC_HM5012	Rev.: 0.5
Datum: 07.04.1998		Blatt 2 von 2	
Date :		STEILEN	
LEDG = L-383		Sheet 2 of 2	
CA = 100nF/50V			
CB = 10uF/16V			

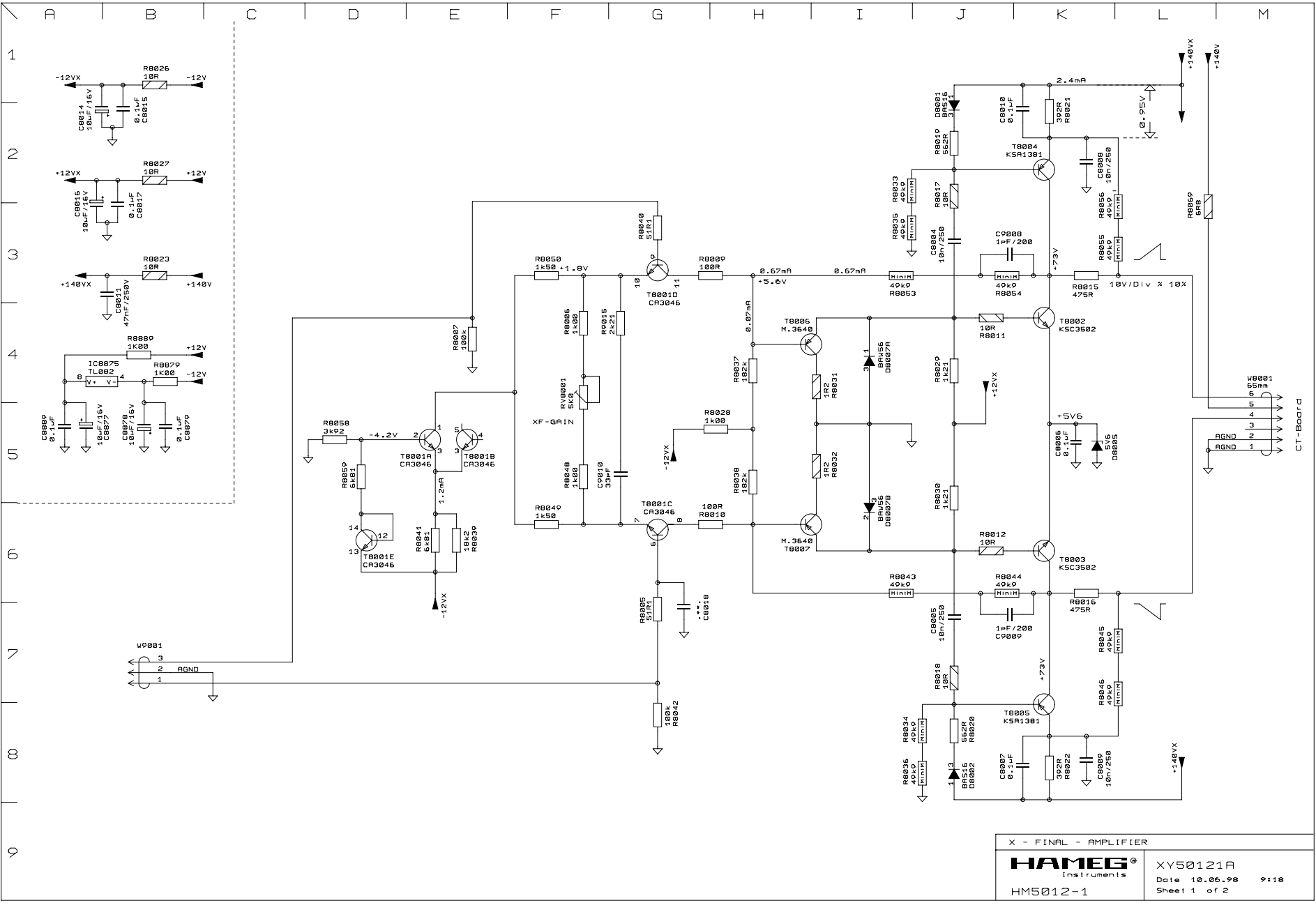
Aenderungen vorbehalten! / Subject to change without notice!

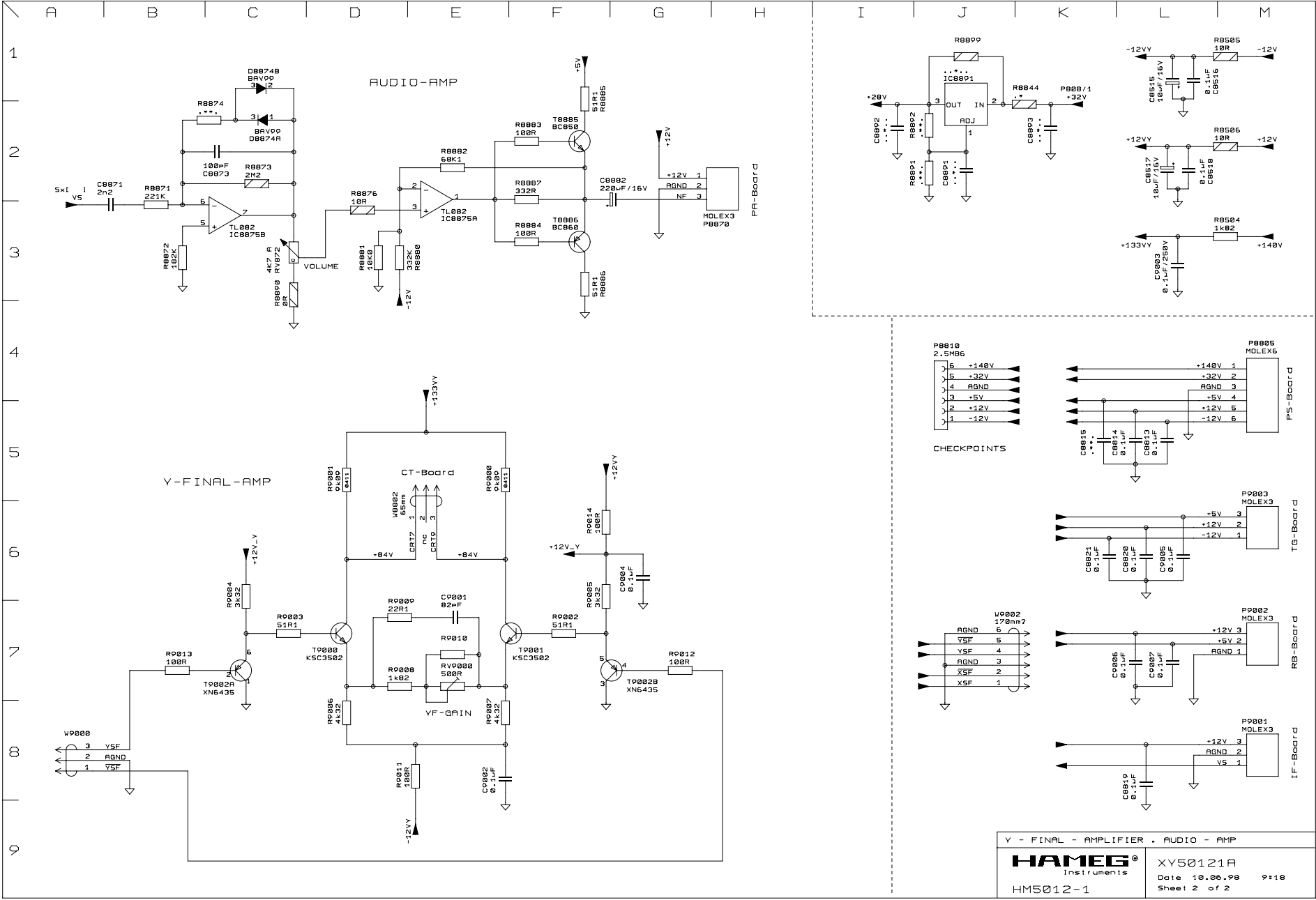


FC Board - Top side

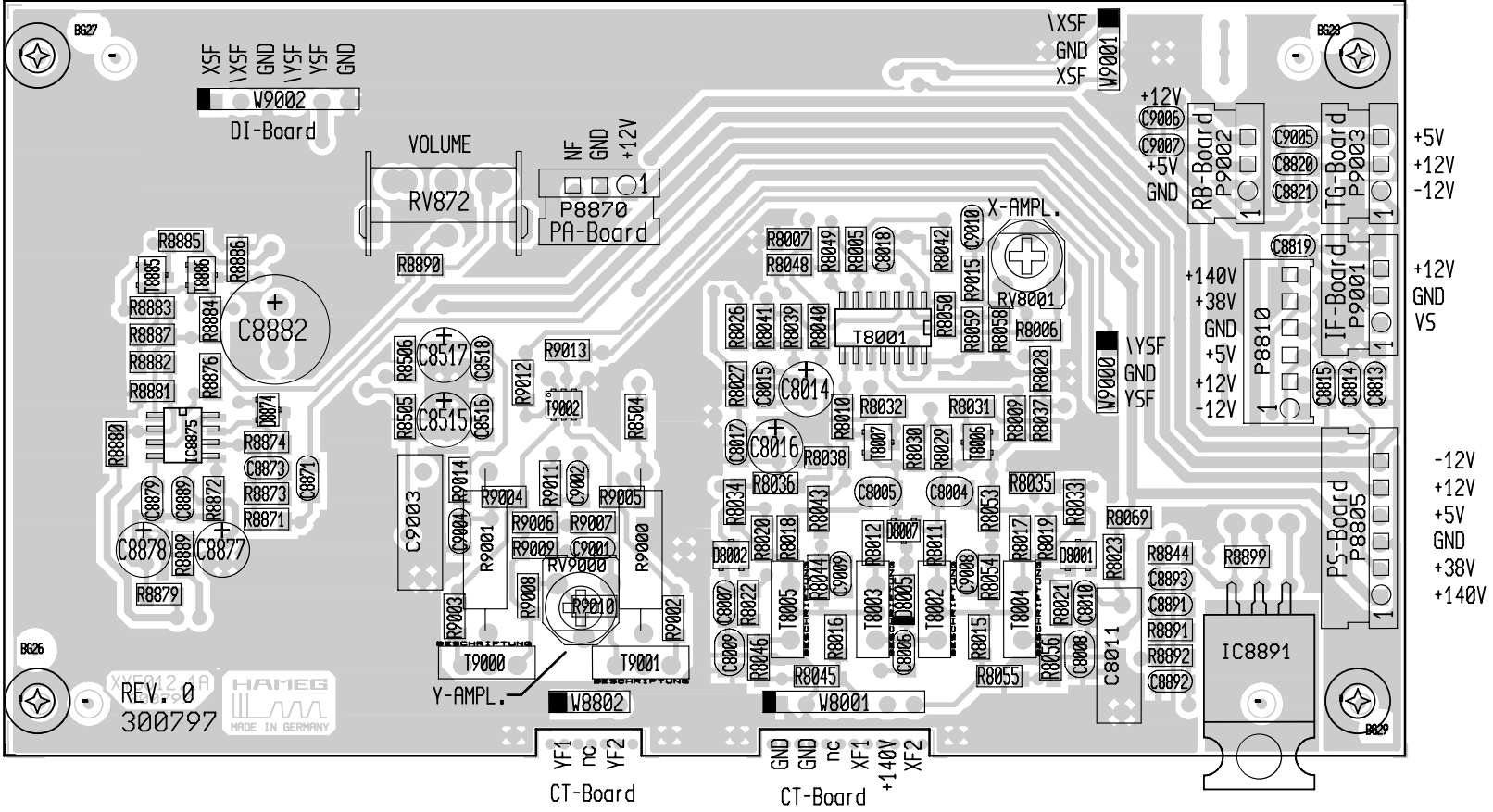


FC_HM5012 980407
V 0.5 2.0 V

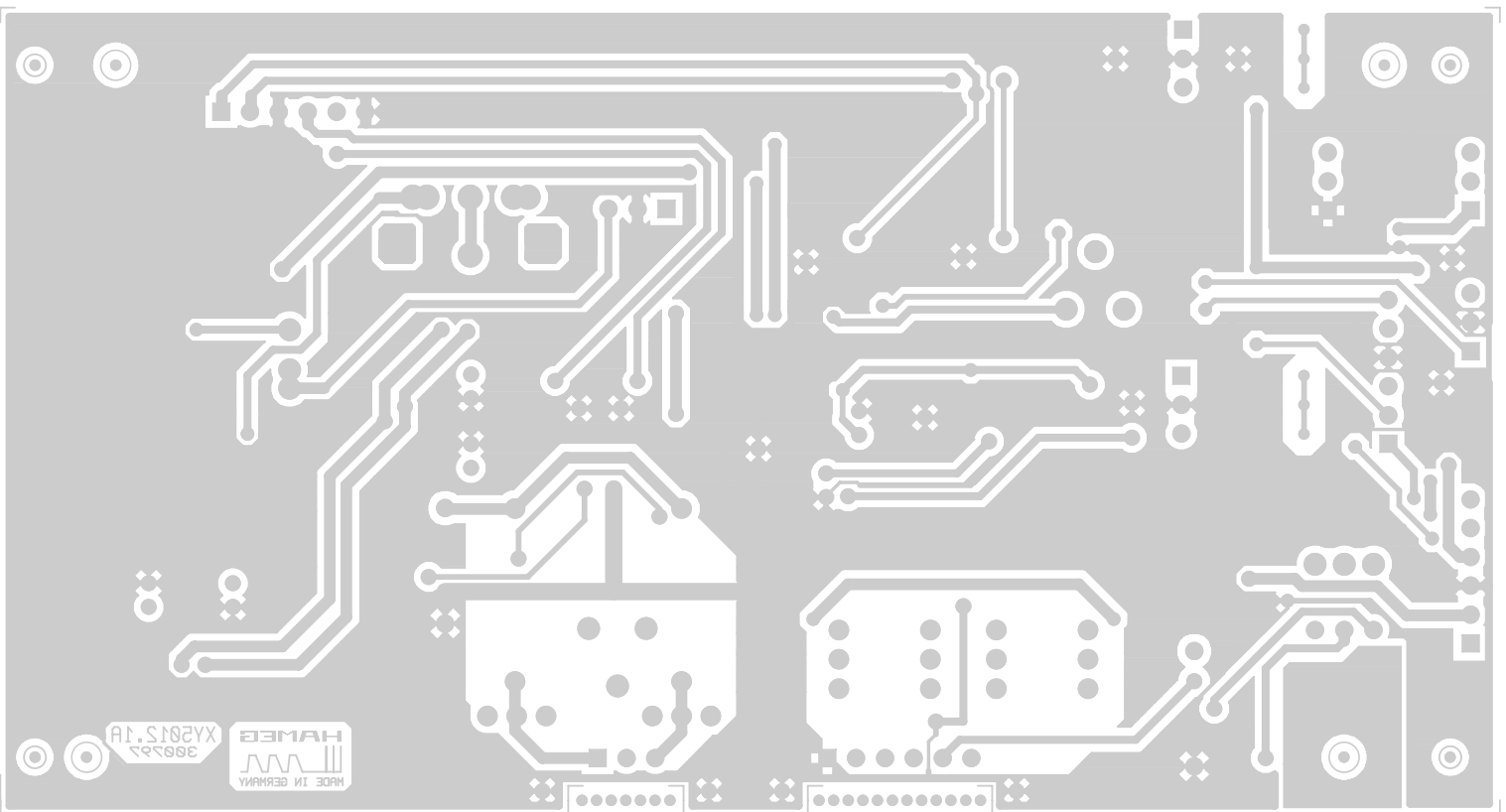


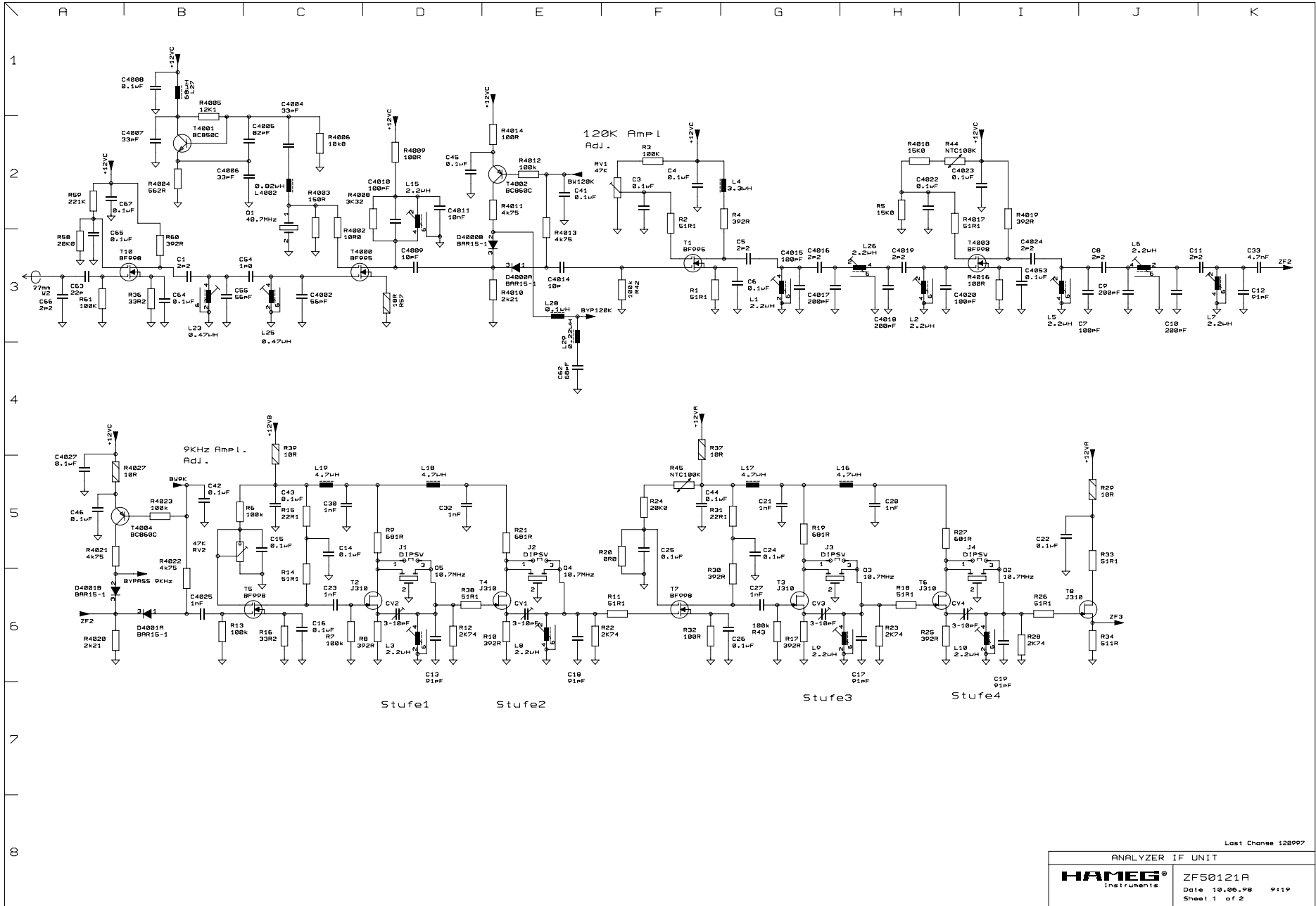


Y - FINAL - AMPLIFIER . AUDIO - AMP		
HAMEG Instruments		XY50121A
Date 10.06.98	Sheet 2 of 2	9:18
HM5012-1		

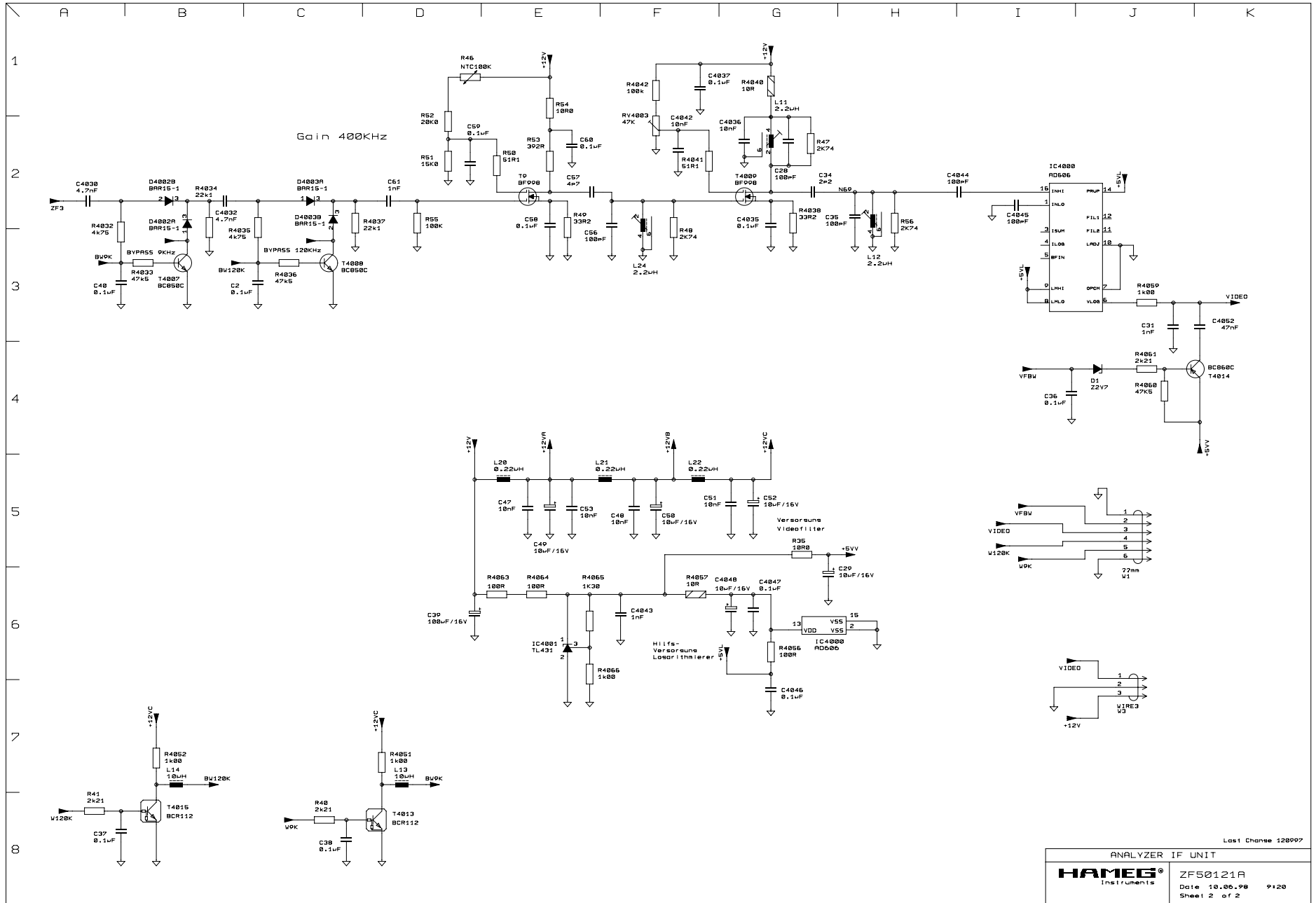


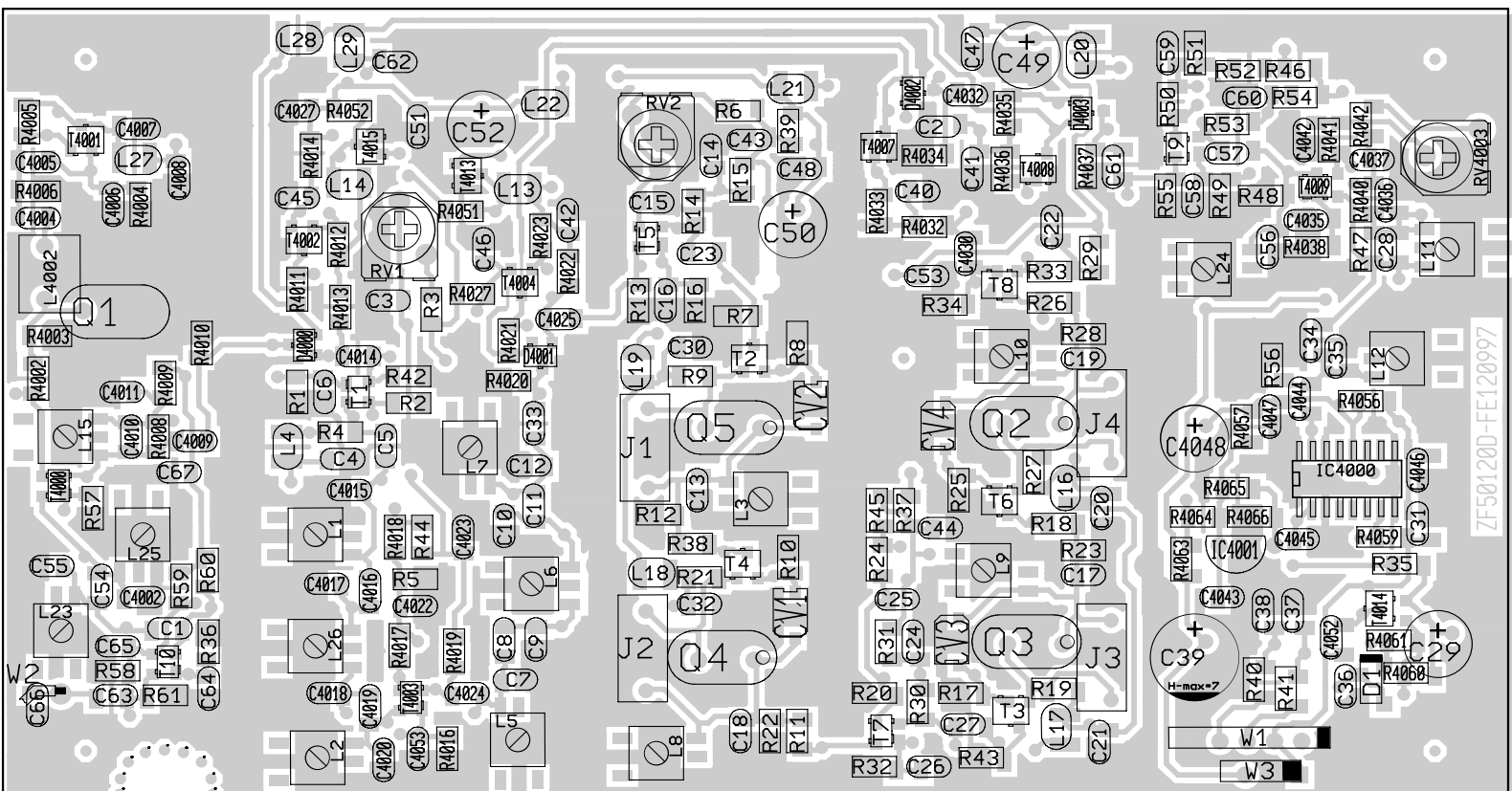
XY Board - Top side

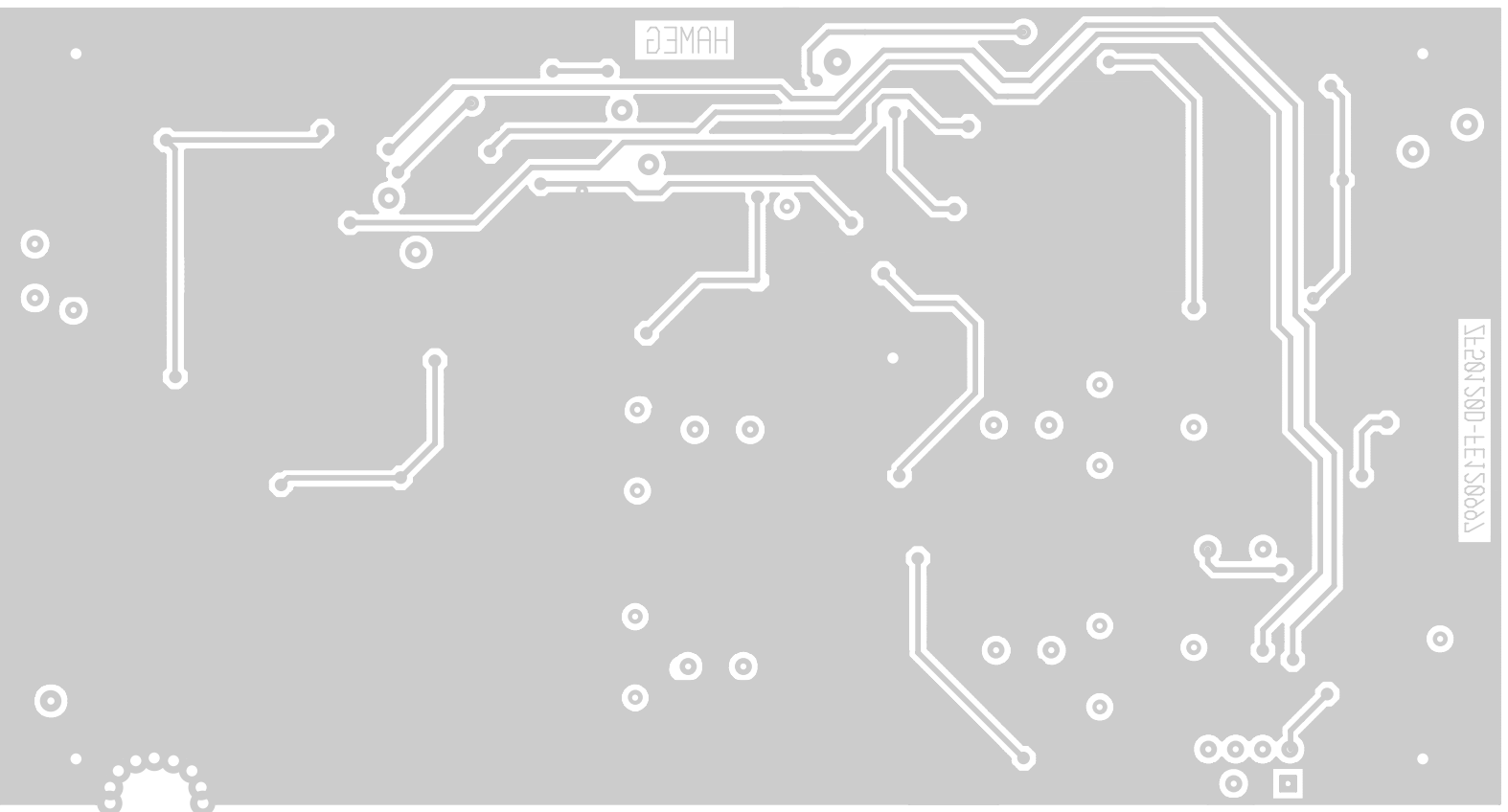


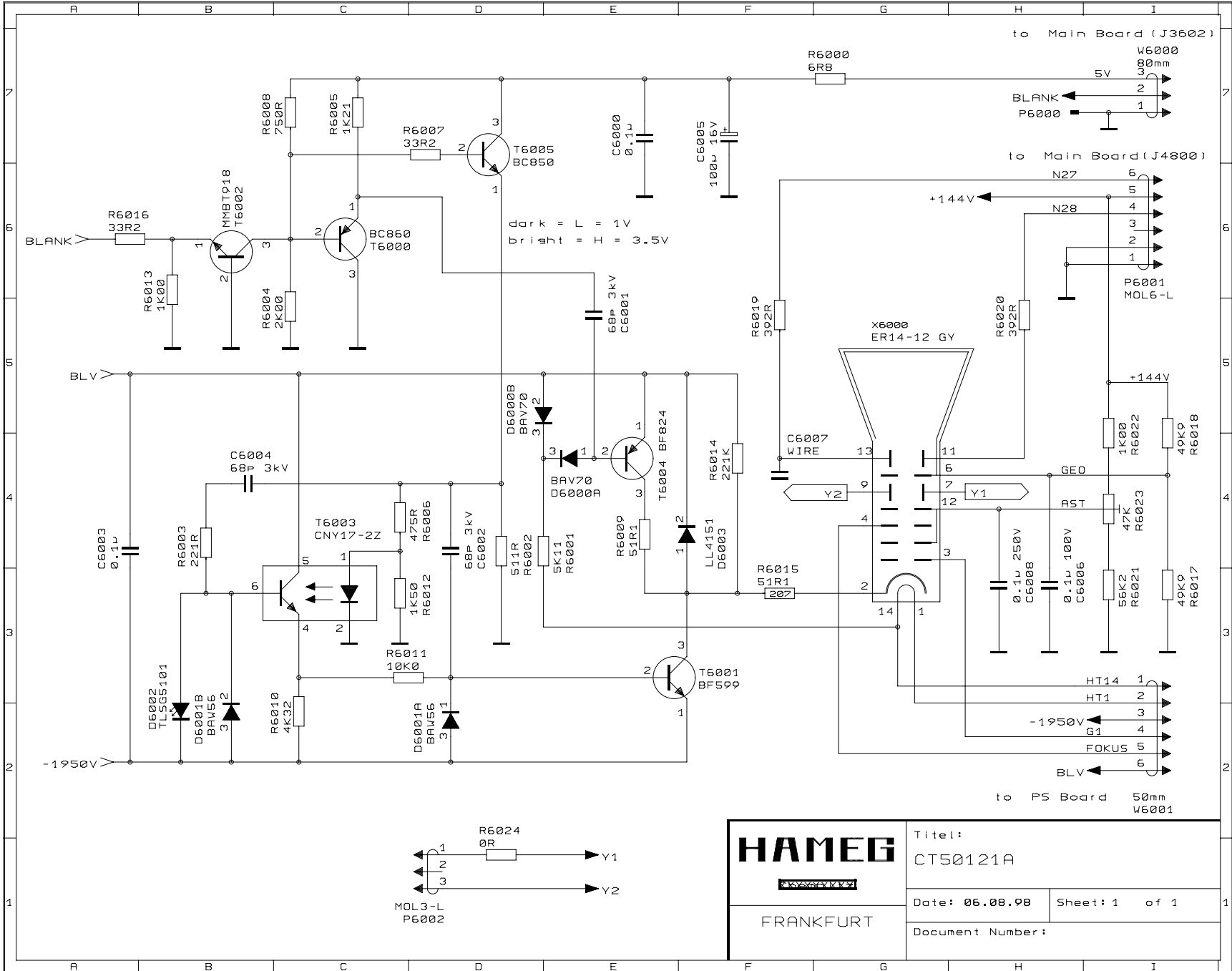


Last Change 128907	
ANALYZER IF UNIT	
HAMES® Instruments	ZF50121A
Date 10.06.98	9:19
Sheet 1 of 2	







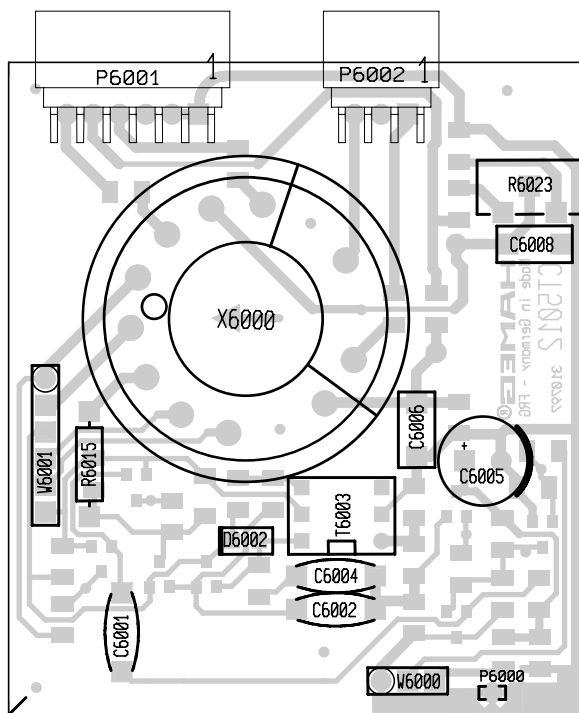
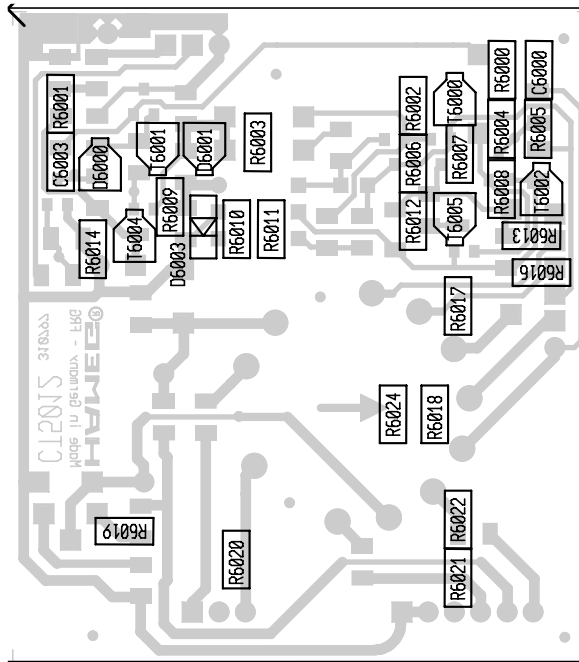


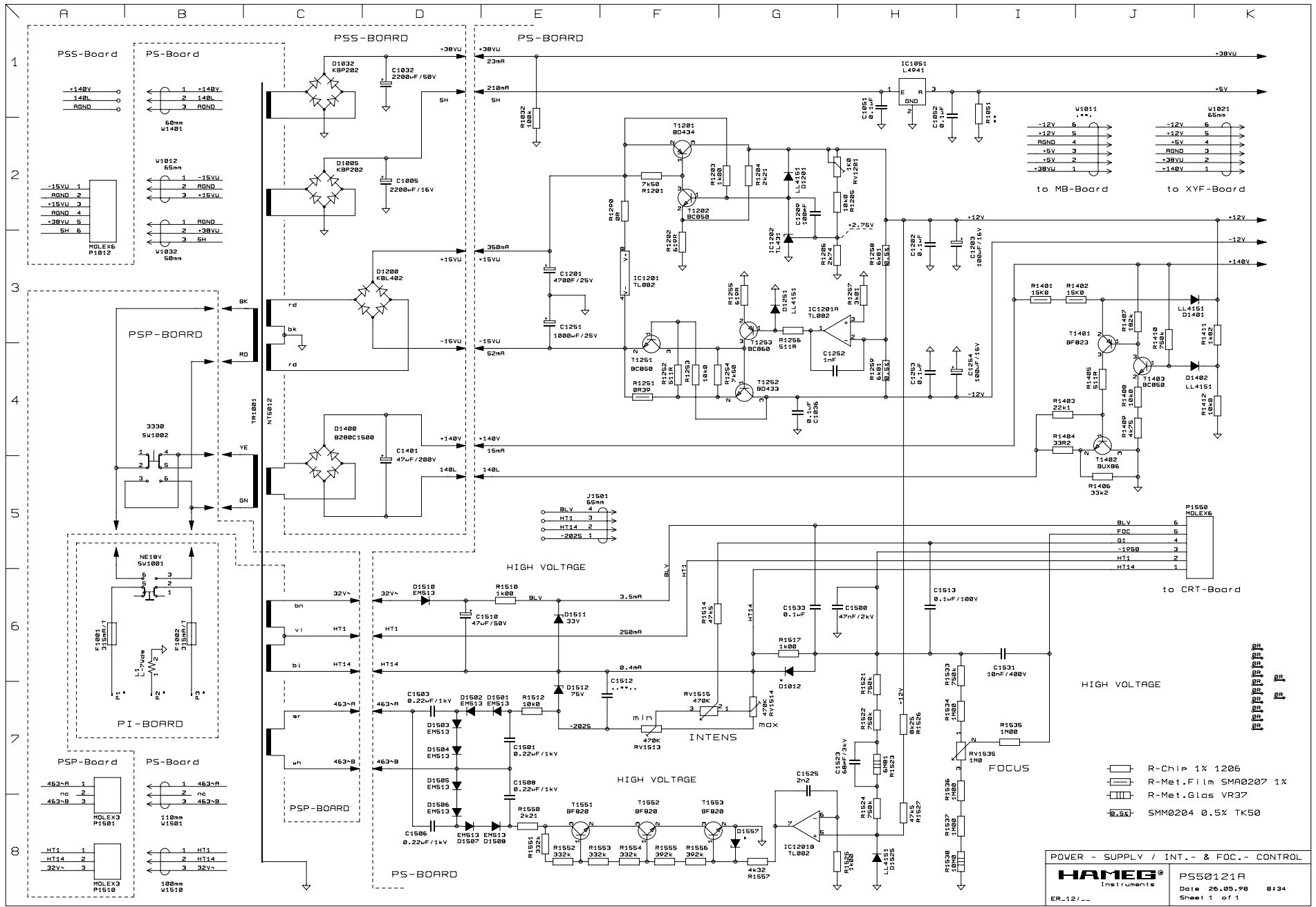
HAMEG
FRANKFURT

Titel: CT50121A	
Date: 06.08.98	Sheet: 1 of 1
Document Number:	

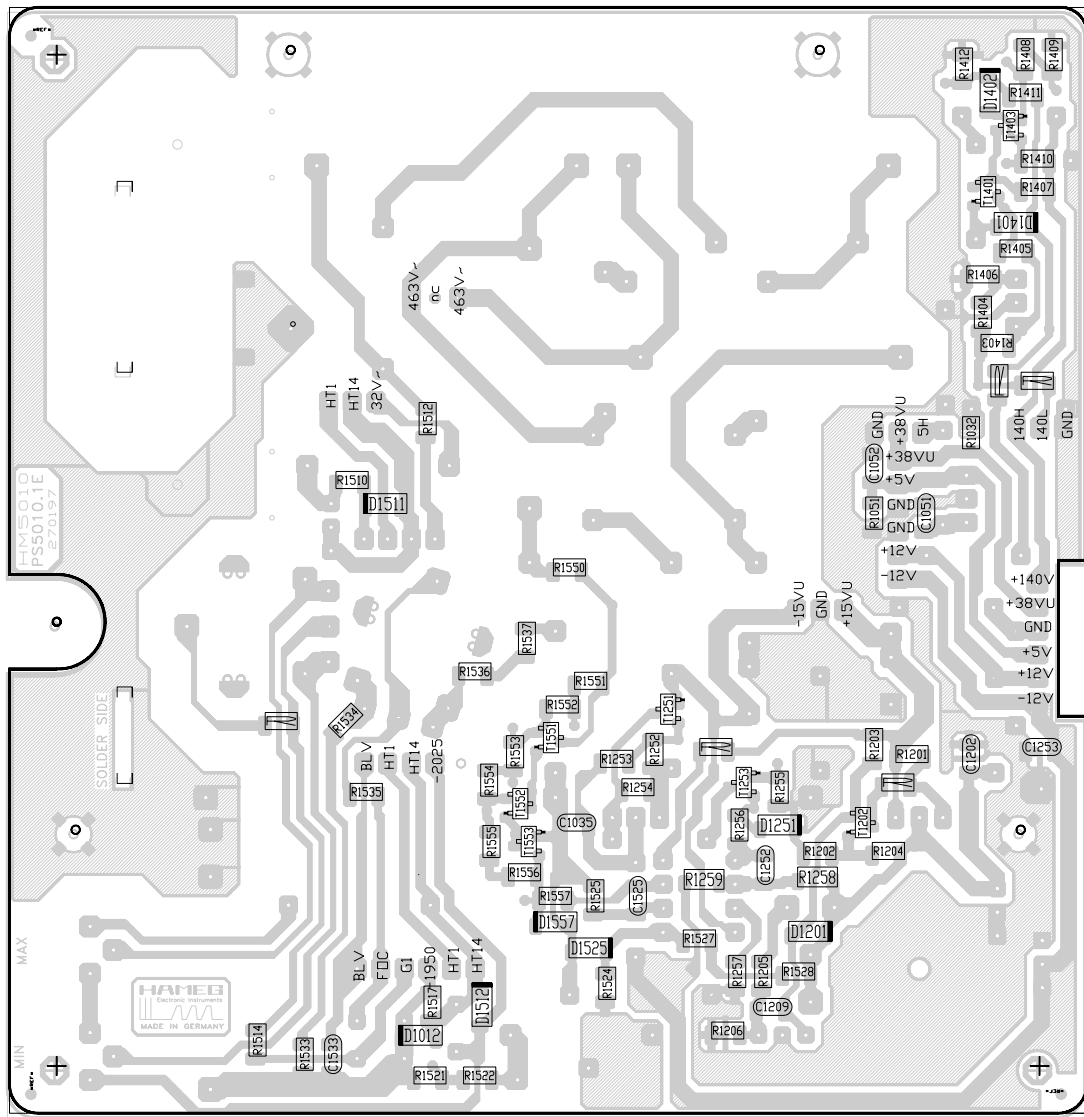
CRT Board - Diagram

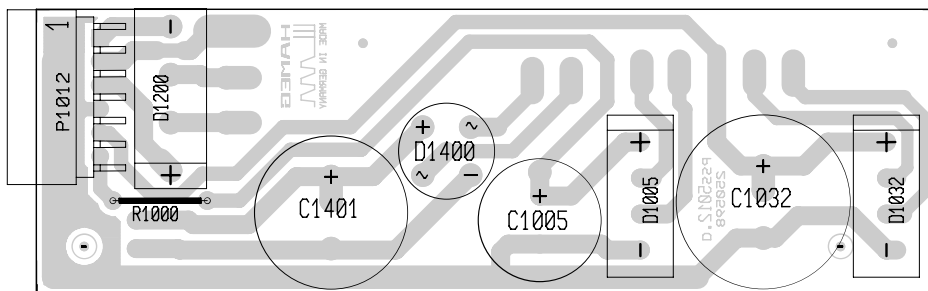
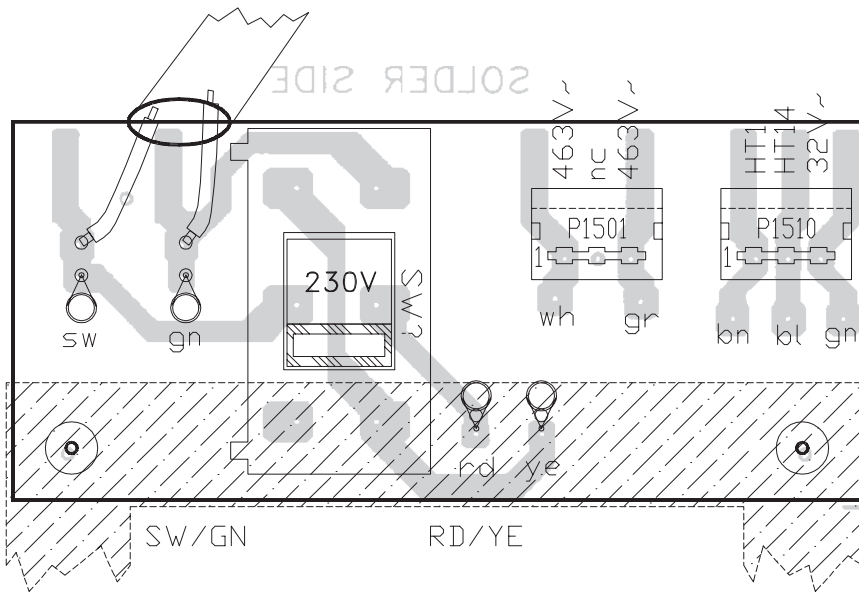
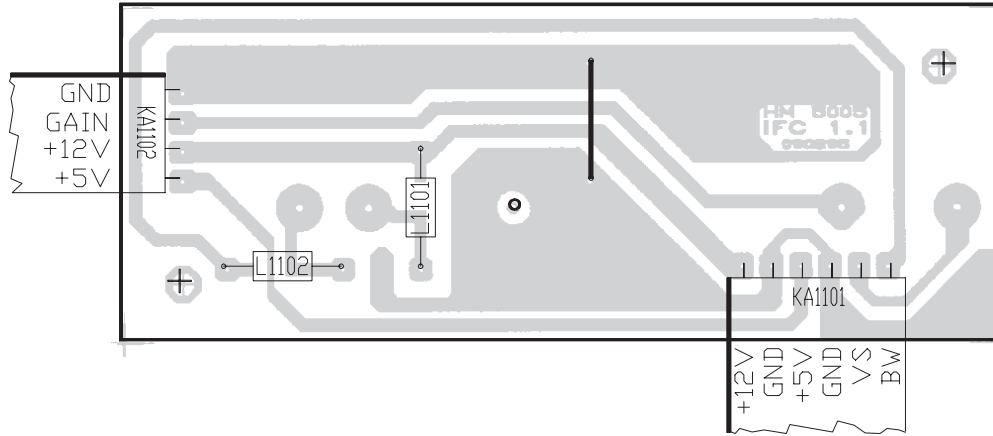
CRT Board - Top and bottom side

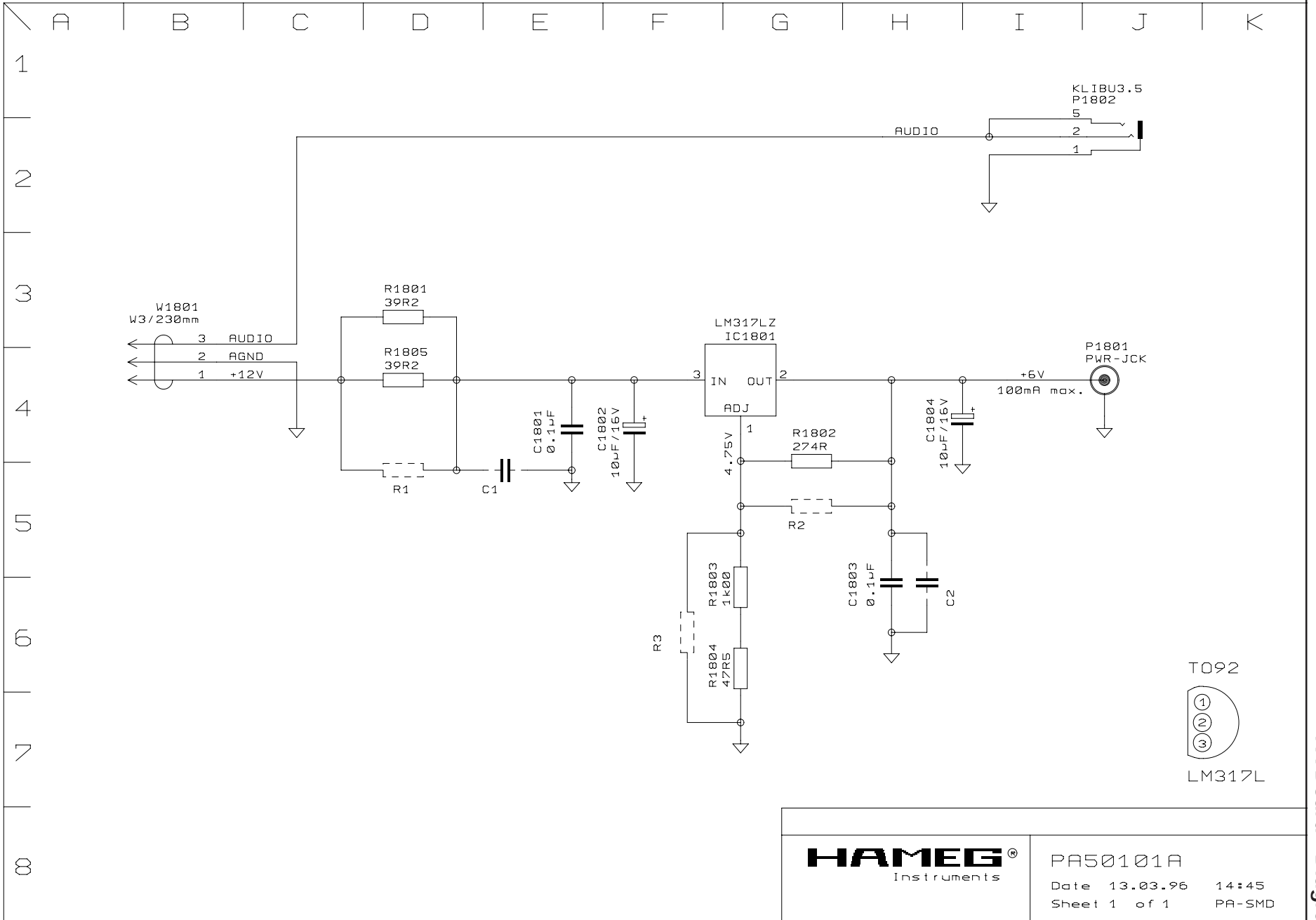




PS Board - Diagram







PA Board - Diagram

HAMEG [®] Instruments	PA50101A
	Date 13.03.96 14:45
	Sheet 1 of 1 PA-SMD

