

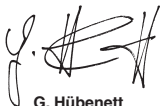


4³/₄ - Digit Multimeter HM8012

Service-Manual



	Hersteller Manufacturer Fabricant	HAMEG Instruments GmbH Industriestraße 6 D-63533 Mainhausen	KONFORMITÄTSERKLÄRUNG DECLARATION OF CONFORMITY DECLARATION DE CONFORMITE	
	Die HAMEG Instruments GmbH bescheinigt die Konformität für das Produkt The HAMEG Instruments GmbH herewith declares conformity of the product HAMEG Instruments GmbH déclare la conformité du produit		EN 61326-1/A1 Störaussendung / Radiation / Emission: Tabelle / table / tableau 4; Klasse / Class / Classe B.	
Bezeichnung / Product name / Designation:		Multimeter / Multiméter / Multimètre HM8012	Störfestigkeit / Immunity / Imunitee: Tabelle / table / tableau A1.	
Typ / Type / Type: mit / with / avec: Optionen / Options / Options:		- - -	EN 61000-3-2/A14 Oberschwingungsströme / Harmonic current emissions / Émissions de courant harmonique: Klasse / Class / Classe D.	
mit den folgenden Bestimmungen / with applicable regulations / avec les directives suivantes		EMV Richtlinie 89/336/EWG ergänzt durch 91/263/EWG, 92/31/EWG EMC Directive 89/336/EEC amended by 91/263/EWG, 92/31/EEC Directive EMC 89/336/CEE amendée par 91/263/EWG, 92/31/CEE	EN 61000-3-3 Spannungsschwankungen u. Flicker / Voltage fluctuations and flicker / Fluctuations de tension et du flicker.	Datum /Date /Date 22.07.2004
Niederspannungsrichtlinie 73/23/EWG ergänzt durch 93/68/EWG Low-Voltage Equipment Directive 73/23/EEC amended by 93/68/EEC Directive des équipements basse tension 73/23/CEE amendée par 93/68/CEE				Unterschrift / Signature /Signature
Angewendete harmonisierte Normen / Harmonized standards applied / Normes harmonisées utilisées				 G. Hübenett Produktmanager
Sicherheit / Safety / Sécurité EN 61010-1:2001 (IEC 61010-1:2001) Überspannungskategorie / Overvoltage category / Catégorie de surtension: II				
Verschmutzungsgrad / Degree of pollution / Degré de pollution: 2 Elektromagnetische Verträglichkeit / Electromagnetic compatibility / Compatibilité électromagnétique				

General information regarding the CE marking

HAMEG instruments fulfill the regulations of the EMC directive. The conformity test made by HAMEG is based on the actual generic- and product standards. In cases where different limit values are applicable, HAMEG applies the severer standard. For emission the limits for residential, commercial and light industry are applied. Regarding the immunity (susceptibility) the limits for industrial environment have been used.

The measuring- and data lines of the instrument have much influence on emission and immunity and therefore on meeting the acceptance limits. For different applications the lines and/or cables used may be different. For measurement operation the following hints and conditions regarding emission and immunity should be observed:

1. Data cables

For the connection between instruments resp. their interfaces and external devices, (computer, printer etc.) sufficiently screened cables must be used. Without a special instruction in the manual for a reduced cable length, the maximum cable length of a dataline must be less than 3 meters and not be used outside buildings. If an interface has several connectors only one connector must have a connection to a cable. Basically interconnections must have a double screening. For IEEE-bus purposes the double screened cables HZ72S and HZ72L from HAMEG are suitable.

2. Signal cables

Basically test leads for signal interconnection between test point and instrument should be as short as possible. Without instruction in the manual for a shorter length, signal lines must be less than 3 meters and not be used outside buildings. Signal lines must be screened (coaxial cable - RG58/U). A proper ground connection is required. In combination with signal generators double screened cables (RG223/U, RG214/U) must be used.

3. Influence on measuring instruments.

Under the presence of strong high frequency electric or magnetic fields, even with careful setup of the measuring equipment an influence of such signals is unavoidable.

This will not cause damage or put the instrument out of operation. Small deviations of the measuring value (reading) exceeding the instruments specifications may result from such conditions in individual cases.

HAMEG Instruments GmbH

Declaration of Conformity	2
General information regarding the CE-marking	2
4 ³ / ₄ Digit Programmable Multimeter HM8012	4
Specifications	5
Control elements	6
Function test	7
Calibration	8
Circuit and layout diagrams	9

4³/₄ - Digit Programmable Multimeter HM8012



4³/₄-digit display with 50,000 counts, basic accuracy 0.05 %

Automatic and manual range selection

Max. resolution 10 μ V, 0.01 dBm, 10 nA, 10 m Ω , 0.1 $^{\circ}$ C/ $^{\circ}$ F

Offset function / relative value measurement in basic measurement functions

Input impedance >1 G Ω (0.5 V and 5 V DC range)

RS-232 interface

PC software for control and data logging

Mainframe HM8001-2 required for operation

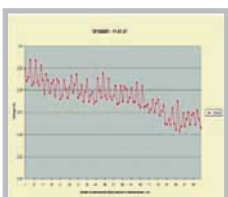
HZ15 (included)



WDM8012 Software (included)



WDM8012 Software (included)



4½ -Digit programmable Multimeter HM8012

Valid at 23 °C after a 30 minute warm-up period

DC voltage

Measurement ranges:	500 mV, 5 V, 50 V, 500 V, 600 V
Resolution:	10 µV, 100 µV, 1 mV, 10 mV, 100 mV
Accuracy:	
5 V, 500 V, 600 V:	±(0.05 % of reading + 0.002 % of full scale)
500 mV, 50 V:	±(0.05 % of reading + 0.004 % of full scale)
Overload protection:	
V/Ω/T°/dB/← to COM and to chassis:	850 V _p at max. 60 Hz or 600 V _{DC}
COM against chassis:	250 V _{rms} at max. 60 Hz or 250 V _{DC}
Input resistance:	
50 V, 500 V, 600 V:	10 MΩ 90 pF
500 mV, 5 V:	> 1 GΩ 90 pF
Input current:	10 A
CMRR¹⁾:	≥ 100 dB (50/60 Hz ± 0.5 %)
SMRR²⁾:	≥ 60 dB (50/60 Hz ± 0.5 %)

dB Mode

Accuracy:	±(0.02 dB+2 digits) (display > -38.7 dBm)
Resolution:	0.01 dB above 18 % of rating

DC current

Measurement ranges:	500 µA, 5 mA, 50 mA, 500 mA, 10 A
Resolution:	10 nA, 100 nA, 1 µA, 10 µA, 1 mA
Accuracy:	
0.5-500 mA:	±(0.2 % of reading + 0.004 % of full scale)
10 A:	±(0.3 % of reading + 0.004 % of full scale)
Voltage drop:	
10 A range:	0.2 V max.
500 mA range:	2.5 V max.
other ranges:	0.7 V max.

AC voltage

Measurement ranges:	500 mV, 5 V, 50 V, 500 V, 600 V
Resolution:	10 µV, 100 µV, 1 mV, 10 mV, 100 mV
Accuracy 0.5-50 V:	
40 Hz-5 kHz:	± (0.4 % of reading + 0.07 % of full scale)
20 Hz-20 kHz:	± (1 % of reading + 0.07 % of full scale)
Accuracy 500 V and 600 V:	
40 Hz-1 kHz:	± (0.4 % of reading + 0.07 % of full scale)
20 Hz-1 kHz:	± (1 % of reading + 0.07 % of full scale)
Overload protection:	
V/Ω/T°/dB/← to COM and to chassis:	850 V _p at max. 60 Hz or 600 V _{DC}
COM against chassis:	250 V _{rms} at max. 60 Hz or 250 V _{DC}
Input impedance	
AC mode:	1 MΩ 90 pF
AC + DC mode:	10 MΩ 90 pF
Bandwidth at -3 dB:	80 kHz typical
dB mode:	20 Hz - 20 kHz
Accuracy	
-23.8 dBm to 59.8 dBm:	±0.2 dBm
Resolution:	0.01 dB above 9 mV
CMRR¹⁾:	≥ 60 dB (50/60 Hz ± 0.5 %)
Crest factor:	7 max.

AC current

Measurement ranges:	500 µA, 5 mA, 50 mA, 500 mA, 10 A
Resolution:	10 nA, 100 nA, 1 µA, 10 µA, 1 mA
Accuracy:	
0.5 - 500 mA:	±(0.7 % of reading + 0.07 % of f.s.) 40 Hz - 5 kHz
10 A:	±(1 % of reading + 0.07 % of full scale)

AC + DC measurements

As shown for AC + 25 digits

Resistance

Measurement ranges:	500 Ω, 5 kΩ, 50 kΩ, 500 kΩ, 5 MΩ, 50 MΩ
Resolution:	10 mΩ, 100 mΩ, 1 Ω, 10 Ω, 100 Ω, 1 kΩ
Accuracy:	
500 Ω to 500 kΩ:	±(0.05 % of reading + 0.004 % of f.s.+50 mΩ)
5 MΩ to 50 MΩ:	±(0.3 % of reading + 0.004 % of full scale)
Input protection max. 300 V _{rms}	
Measurement current:	
500 Ω-5 kΩ range:	1 mA
50 kΩ range:	100 µA
500 kΩ range:	10 µA
5-50 MΩ range:	100 nA

Measurement voltage: 10 V typical for open inputs, depending on the value of resistance to be measured. Negative polarity of measurement voltage is across common terminal.

Temperature

2-wire resistance measurement with linearization for PT100 sensors as per standard EN60751

Range:	-200° C to +500° C
Resolution:	0.1° C
Measurement current:	approx. 1 mA
Display:	in °C, °F
Accuracy:	± 0.1° C from - 200° C to + 200° C ± 0.2° C from 200° C to 500° C (exception: sensor tolerance)

Temperature coefficient: (reference 23°C)

V = 500 mV, 50 V	30 ppm/°C
600 V range	80 ppm/°C
other ranges	20 ppm/°C
V ~ 600 V range	80 ppm/°C
other ranges	50 ppm/°C
mA all ranges	200 ppm/°C
mA-all ranges	300 ppm/°C
Ω 5 MΩ, 50 MΩ ranges	200 ppm/°C
other ranges	50 ppm/°C

Miscellaneous

Power supply (from mainframe):	
+ 5 V	300 mA
-26 V	140 mA
Operating temperature:	+ 10° C to + 40° C
Max. relative humidity:	80 % (without condensation)
Dimensions (W x H x D) (without 22-pole flat plug):	135 x 68 x 228 mm
Weight:	approx. 0.5 kg

¹⁾ Common mode rejection ratio ²⁾ Serial mode rejection ratio

Accessories supplied: Operator's Manual, HZ15 PVC test leads, HM8012: + Software CD and interface cable
Optional accessories: HZ10 Silicone test leads, HZ812 PT100 Temperature Sensor

www.hameg.com



Control Elements

① DISPLAY (7-segment LED + LED)

The digital display shows the measurement value with 4 $\frac{3}{4}$ digit resolution, in which the largest figure is used up to "5". It will also display various warning messages. The measurement value will be displayed with decimal points and polarity sign. For DC measurement, a minus sign will appear in front of the figures when the positive polarity of the measured value is connected to the COM input ⑦.

② (LED)

Indicator denoting validation of the audible continuity test signal. When used as an ohmmeter, the audible signal triggers when the measured resistance value is less than 0.1% of the range or 50 counts. For other functions, the indicator is hidden.

③ BEEP (pushbutton)

Pushbutton for activating the audible signal.

④ A (safety terminal for 4 mm banana plugs)

Connection (high potential) for DC and AC current measurements in the 10 A range in conjunction with the COM input ⑦ (low potential).



Current in excess of 10 A (max. 20 A) must not be applied for a period exceeding 30 s, otherwise the internal measurement resistor thermal device will blow.

⑤ mA (safety terminal for 4 mm banana plugs)

Connection (high potential) for DC and AC current measurements up to 500 mA in conjunction with COM input ⑦ (low potential). The input is fuse-protected.

⑥ HOLD (LED)

Indicator denoting that the displayed value has been frozen. The function can be activated using key ⑩. Deactivation is by pressing the HOLD/OFFSET key.

⑦ COM (safety terminal for 4 mm banana plugs)

The COM terminal (low potential) is the common connector for

all the measurement functions to which the potential close to the ground of the measured quantity will be applied.



For safety reasons, the voltage across this terminal compared to the case (guard wire, ground) shall be 250 V at most.

⑧ OFFSET (LED)

Indicator denoting that the displayed value is a relative measurement. The displayed value corresponds to the input value less the value present on the display during initial action on the HOLD/OFFSET key ⑩. Activate this function by means of a second press on the HOLD/OFFSET key.

⑨

(safety terminal for 4 mm banana plugs)

Connection (high potential) for measurements of voltages, resistances, temperatures and diode junctions in conjunction with the COM input ⑦ (safety terminal).



For safety reasons, the voltage across this terminal compared to the case (guard wire, ground) shall be 600 V_{DC} at most.

⑩ HOLD/OFFSET (pushbutton)

Pushbutton for validating the HOLD or OFFSET functions. Pressing the key the first time will freeze the front panel display. The HOLD indicator ⑥ then lights up. The AUTO, AC-DC, BEEP, ◀ ⑪ and ▶ ⑫ keys are inoperative.

A second press gives access to the relative mode. The value memorized by the HOLD function is then subtracted from each measurement before being displayed. The OFFSET indicator ⑧ lights up.

A third press will freeze the relative value. The HOLD ⑥ and OFFSET ⑧ indicators light up. A fourth press will delete the HOLD and OFFSET mode.

⑪ ◀ (pushbutton)

Pushbutton for changing to a lower range. On each press, the new range is displayed fleetingly on the display in code form (L1 for lowest range, L2 for second range, etc.).

⑫ ▶ (pushbutton)

Pushbutton for changing to a higher range. Each time pressed, the new range will be displayed fleetingly on the display in code form (L1 for lowest range, L2 for second range, etc.).

⑬ RS-232 (DB9)

Female DB9 connector intended for serial communication.

⑭ AUTO (LED)

Indicator signalling that the multimeter is in AUTOMATIC mode. In this mode, action on keys ◀ ⑪ and ▶ ⑫ is inoperative.

⑮ AUTO (pushbutton)

Pushbutton for switching the AUTO range selection to the MANUAL range selection and vice versa. In MANUAL mode, the choice of range is left to user initiative using the keys ◀ ⑪ and ▶ ⑫.

⑯ Unit display zone (LED)

This zone contains a display of the measurement units. It also identifies the function selected by pressing the ▼ ⑱ or ▲ ⑲ key.

⑰ AC-DC (pushbutton)

This key is used for selecting the measurement mode (DC, rms AC or rms AC + DC).

Indicators below indicate the measurement mode:

DC: measurement of DC voltages

AC: measurement of RMS AC voltages

DC + AC: measurement of RMS AC+DC voltages.

⑱ ▼ (pushbutton)

Pushbutton for selecting the next function.

⑲ ▲ (pushbutton)

Pushbutton for selecting the previous function. On startup, the unit switches automatically to the DC voltmeter, MANUAL mode function and 600 volt range.

Function Test

This test should help to verify, at certain intervals, the functions of HM8012 without any great expenditure in measurement instruments. To achieve thermal balance, the module and the basic instrument, in its case, must be energized for at least 60 minutes before the test begins.

Measurement equipment used

Calibrator AC/DC for instance Fluke 5101B / Fluke 5700A / Rotek 600

Resistors of 5 k Ω , 50 k Ω , 500 k Ω 0.01% for instance model S102 J by Vishay

Resistors 500 k Ω , 5 M Ω 0.02%, for instance models CNS020 by Vishay.

Test procedure

If one of the indicated calibrators is available or if precision calibrators are appropriate, all the HM8012 measurements ranges can be checked using the following tables which indicate the limit values. Recalibration, however, should only be performed if the appropriate precision calibrator is available.

Before any change of ranges, ensure that the signal at HM8012 does not represent an unacceptable load of the object under examination. For the link between the calibrator and HM8012, shielded cables must be used to prevent any unwanted influence caused by the measurement signal.

a) DC voltage ranges

No.	Range	Reference (+23 °C)	Display limits
1	500 mV	250 mV	249.85 - 250.15
2	5 V	2.5 V	2.4986 - 2.5014
3	50 V	25. V	24.985 - 25.015
4	500 V	250 V	249.86 - 250.14
5	600 V	550.00 V	549.7 - 550.3

b) AC voltage ranges

No.	Range	Reference (+23 °C)	Display limits
1	500 mV	250 mV	(1) 248.65 - 251.35 (2) 247.15 - 252.85
2	5 V	2.5 V	(1) 2.4865 - 2.5135 (2) 2.4715 - 2.5285
3	50 V	25 V	(1) 24.865 - 25.135 (2) 24.715 - 25.285
4	500 V	250 V	(3) 248.65 - 251.35 (4) 247.15 - 252.85
5	600 V	550 V	(3) 547.3 - 552.6 (4) 544.0 - 555.9

(1) = 40 Hz to 5 kHz

(2) = 20 Hz to 20 kHz

(3) = 40 Hz to 1 kHz

(4) = 20 Hz to 1 kHz.

c) DC current ranges

No.	Range	Reference (+23 °C)	Display limits
1	500 μ A	250.00 μ A	249.48 - 250.52
2	5 mA	2.5000 mA	2.4948 - 2.5052
3	50 mA	25.000 mA	24.948 - 25.052
4	500 mA	250.00 mA	249.48 - 250.52
5	10 A	1.800 A	1.794 - 1.806

d) AC current ranges (f = 400 Hz)

No.	Range	Reference (+23 °C)	Display limits
1	500 μ A	250.00 μ A	247.9 - 252.1
2	5 mA	2.5000 mA	2.479 - 2.521
3	50 mA	25.000 mA	24.79 - 25.21
4	500 mA	250.00 mA	247.9 - 252.1
5	10 A	1.800 A	1.775 - 1.825

e) Resistor ranges

No.	Range	Reference (+23 °C)	Display limits
1	500 Ω	200.00 Ω	199.83 - 200.17
2	5 k Ω	2.0000 k Ω	1.9989 - 2.0011
3	50 k Ω	20.000 k Ω	19.989 - 20.011
4	500 k Ω	200.00 k Ω	199.89 - 200.11
5	5 M Ω	2.0000 M Ω	1.9939 - 2.0061
6	50 M Ω	20.000 M Ω	19.393 - 20.061

Calibration

Calibration of the HM8012 digital multimeter is performed mainly by software. In order to enter the calibration menu keep both pushbuttons AUTO ⑮ and BEEP ③ depressed until the message CAL is displayed. After the release of both pushbuttons the first calibration step will be indicated. First the unit will be shown then the value of the calibration voltage etc. which has to be applied to the instrument. In this mode the following pushbuttons will function as given:

Pushbutton Action

AUTO ⑮	Corrected value of the range selected if the LED ② is on, otherwise the input of the preceding step will be displayed.
BEEP ③	Displays not yet calibrated values. The LED ② will be on, the value can be changed by pushbutton ⑮.
▶ ⑫	Change to the following calibration step.
◀ ⑪	Change to the preceding calibration step.
AC+DC ⑰	Saving the calibrated values.

Calibration procedure

1. Apply the calibration value specified.
2. Press BEEP ③. The former not yet corrected value will be displayed. The LED ② will be on.
3. Press AUTO ⑮ to perform the calibration, the corrected value should be displayed.
4. Press ▶ ⑫ in order to proceed. (Pressing ▶ ⑫ will display the actual calibration information without moving to another step.)

Please note:

In order to guarantee a fully calibrated instrument be sure to perform a complete calibration cycle.

Hints:

- Pressing the AUTO ⑮ pushbutton without the BEEP ③ pushbutton will display the value resulting from the preceding calibration; in case it is correct no calibration will be necessary. Pressing AUTO ⑮ again will return the instrument to the menu. Pressing either ◀ or ▶ the next or the last calibration step will be accessed.
- For precise resistance calibration it is necessary to connect the calibration resistors as closely to the input terminals as possible.
- Pressing the AC/DC ⑰ pushbutton will store the calibrated values.

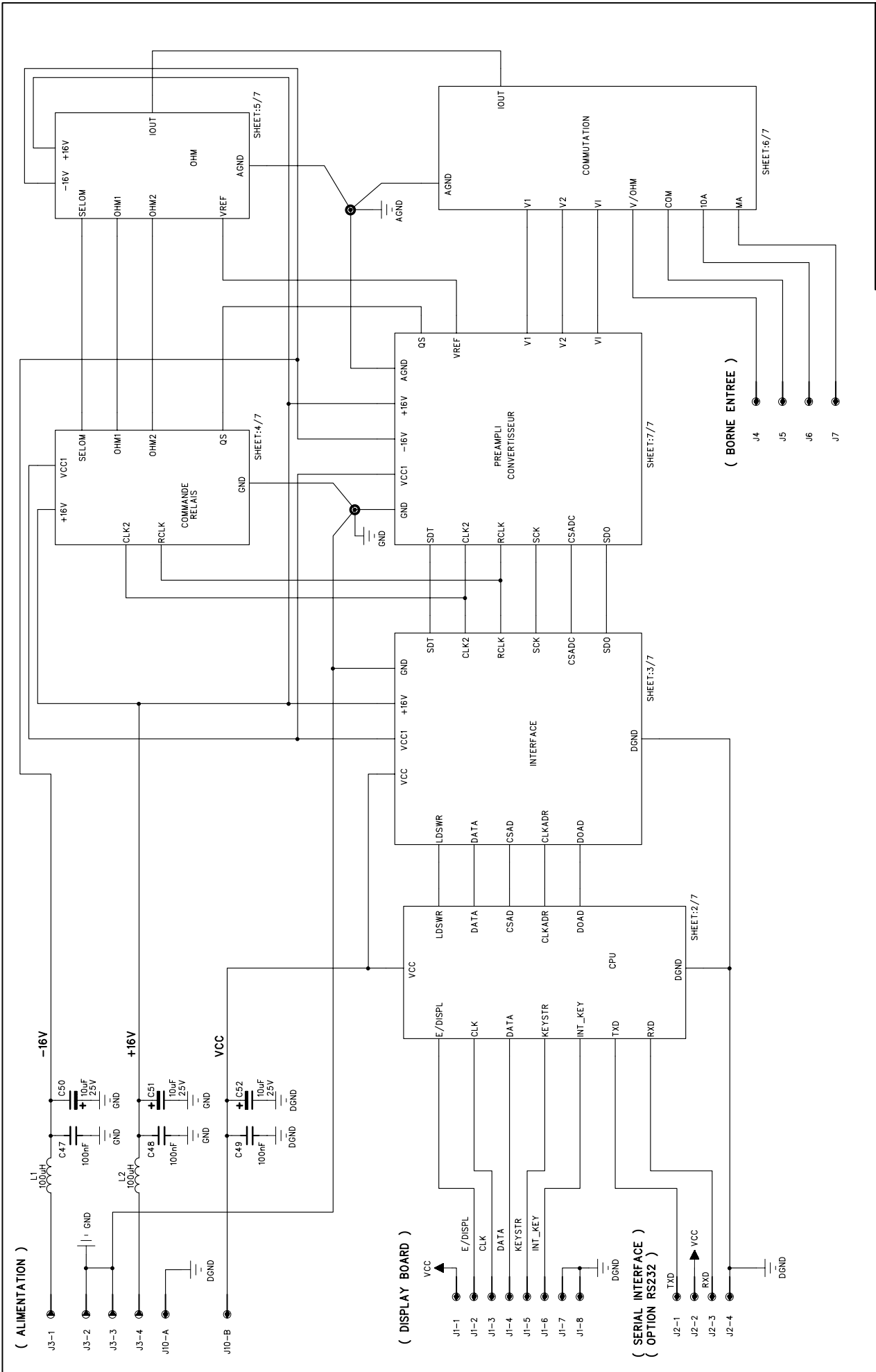
Calibration of frequency compensation

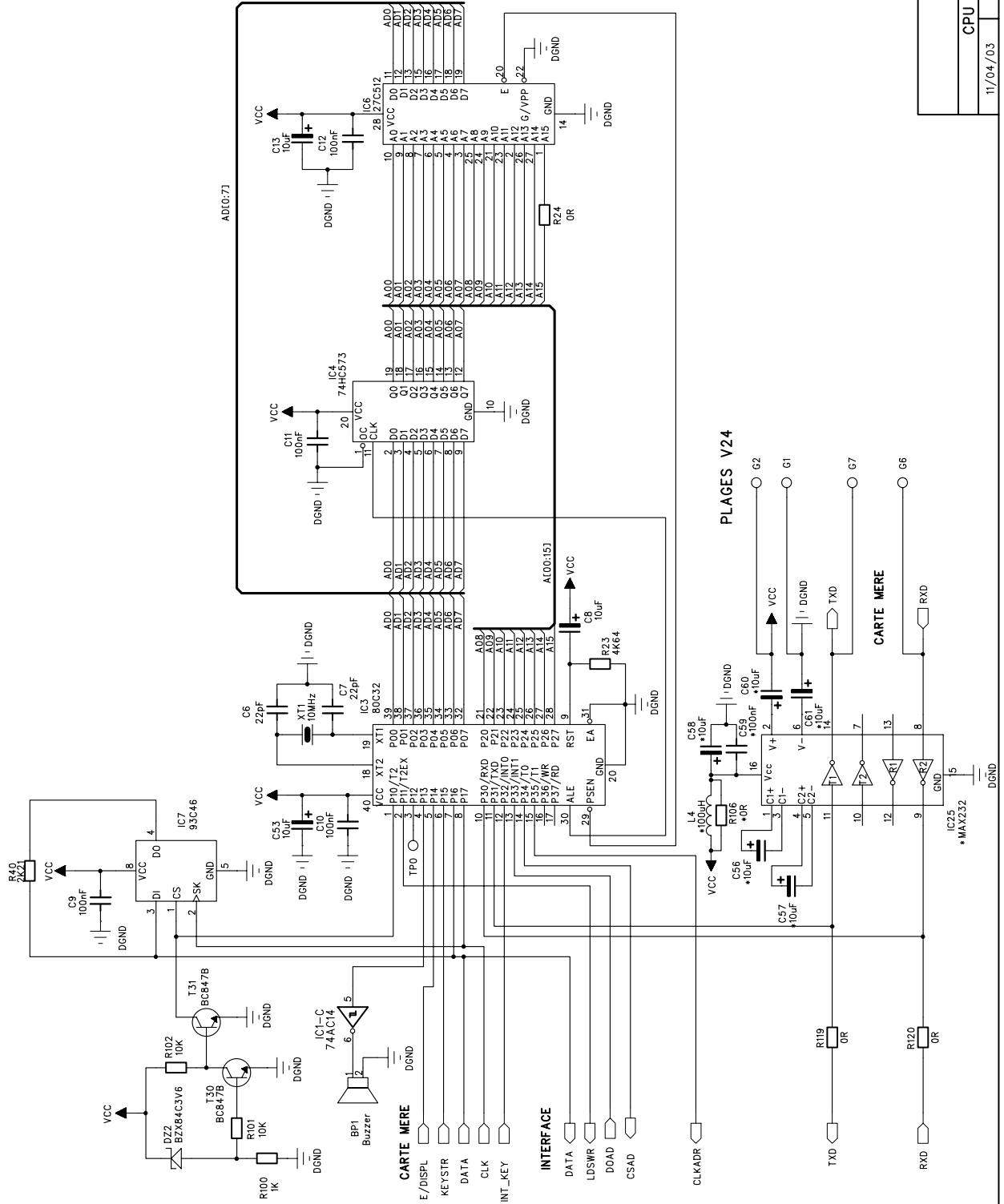
While observing the necessary safety precautions open the instrument. Select the 50 V AC range. Apply 25 V AC 15 kHz. Adjust the capacitor CV1 until the display reads 25,000 ±5 digits.

Listing of calibration steps

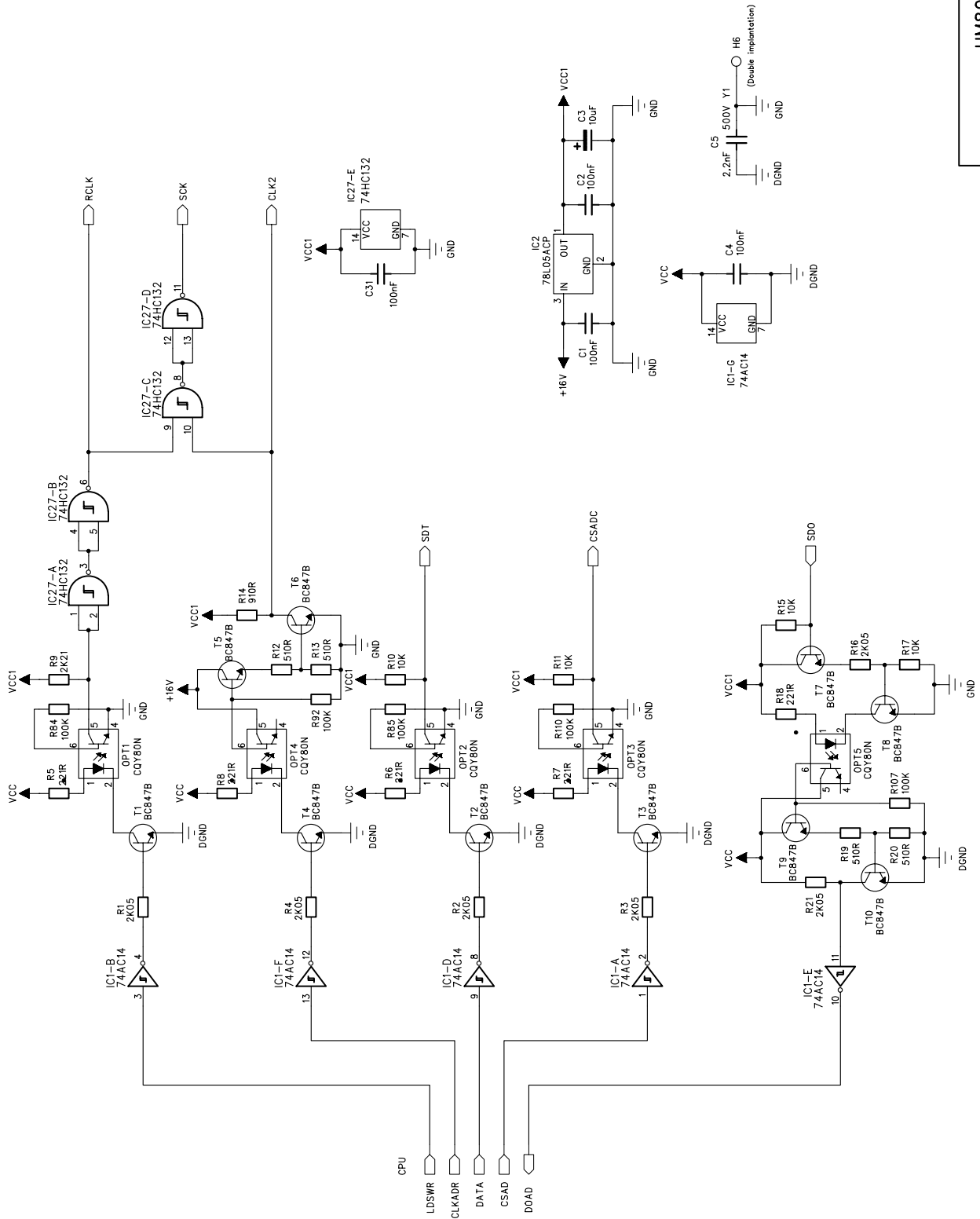
Step	Indication	Input
1	U 05 V	500,00 mV
2	U 5 V	5,0000 V
3	U -5 V	-5,0000 V
4	U 500 V	500,0 V
5	U 1E3 V	1000,0 V
6	U -1E3 V	-1000,0 V
7(*)	u0 00 V	0V (short-circuit)
8(*)	u1 00 V	0V (short-circuit)
9(*)	u 0.25 V	0,25Veff/500Hz
10	o 5 kΩ	5 kΩ
11	o 50 kΩ	50 kΩ
12	o 500 kΩ	500 kΩ
13	o 5 MΩ	5 MΩ
14	o oFS Ω	0 Ω (with cords)

(*) Wait for complete stabilization of the display.





HAMEG



HM8012-2

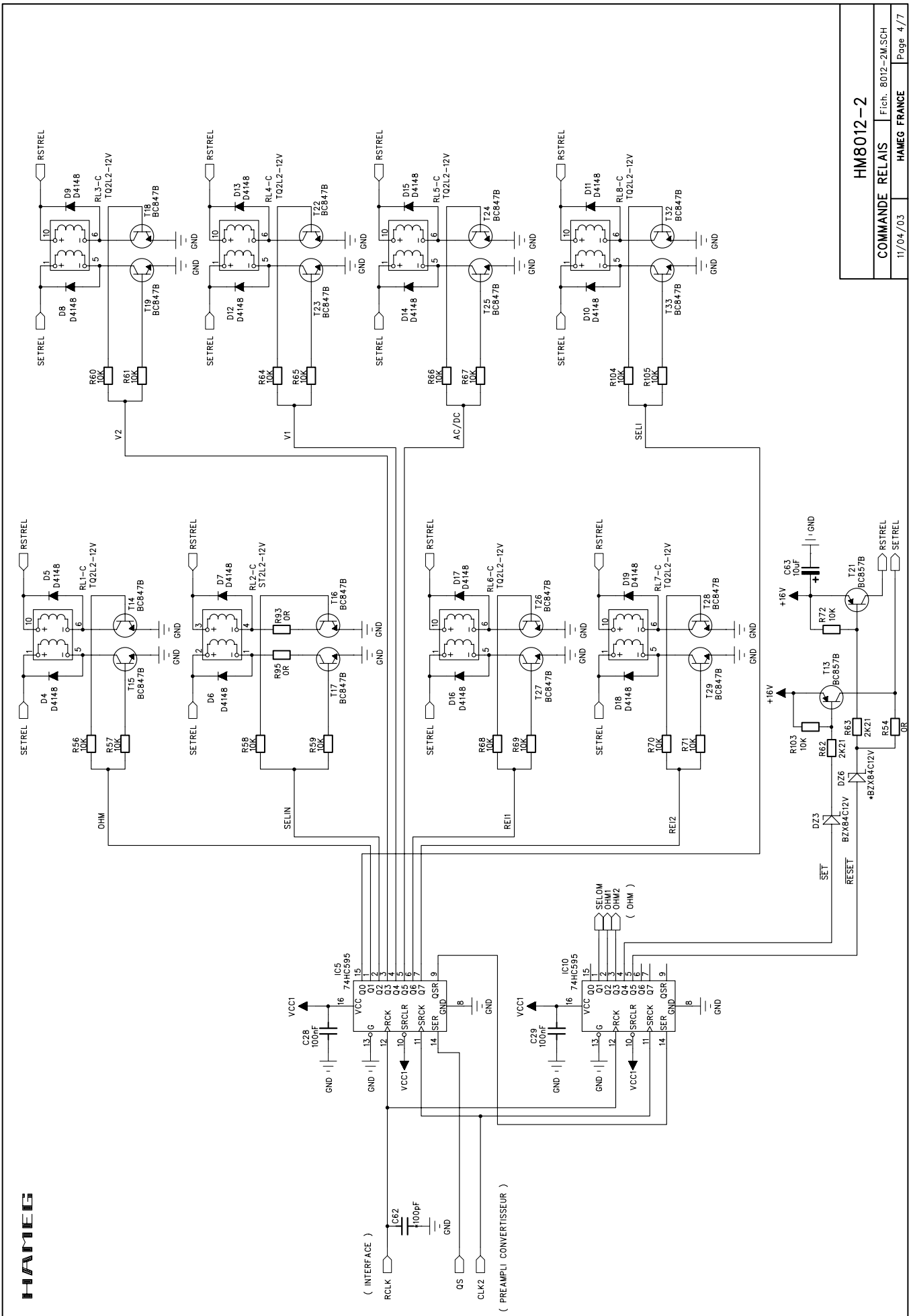
INTERFACE

Fich. 8012-2M.SCH

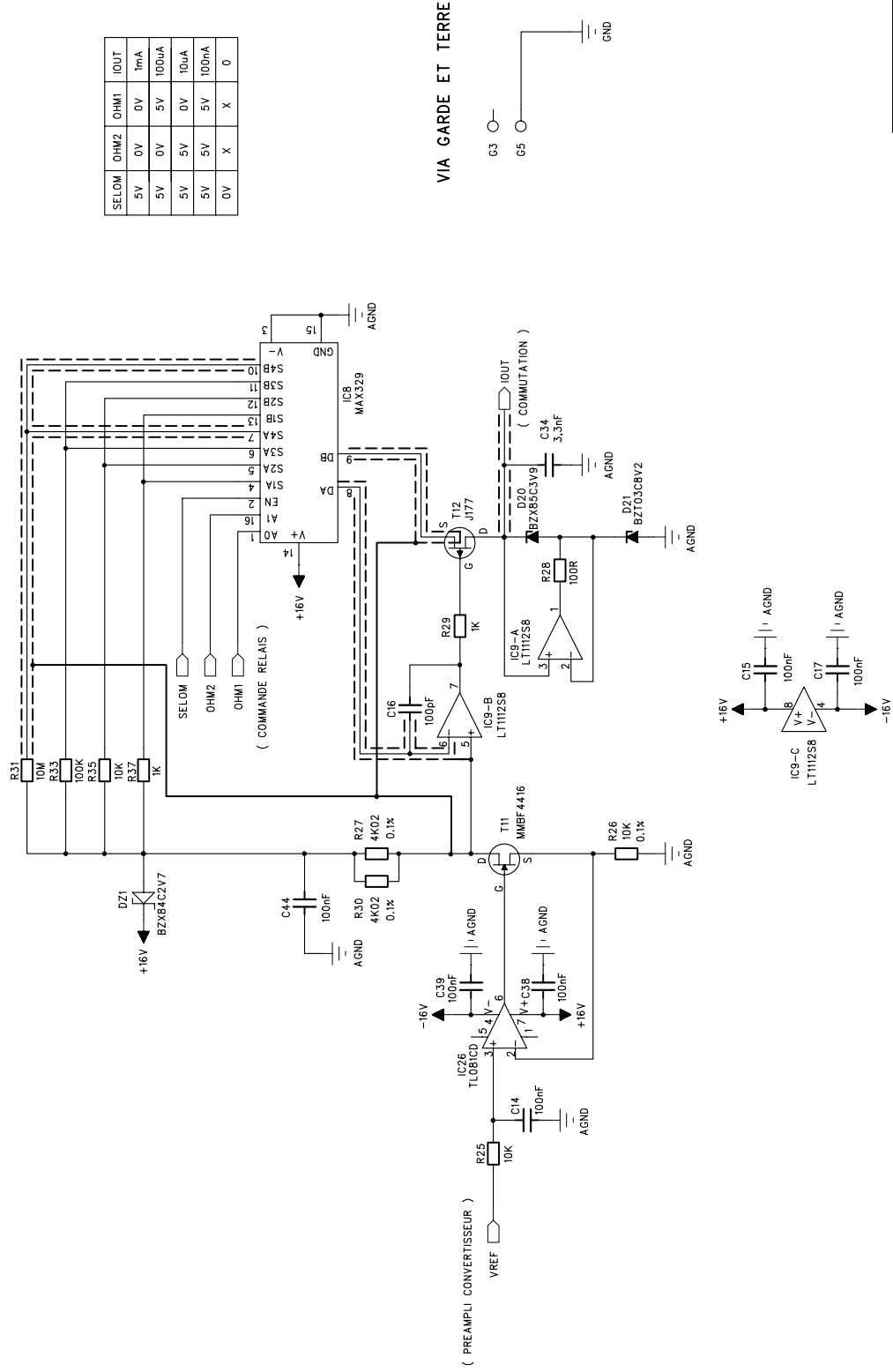
11/04/03

HAMEG FRANCE

Page 3/7



HM8012-2	
COMMANDE RELAIS	Fich. 8012-2M.SCH
11/04/03	HAMEG FRANCE



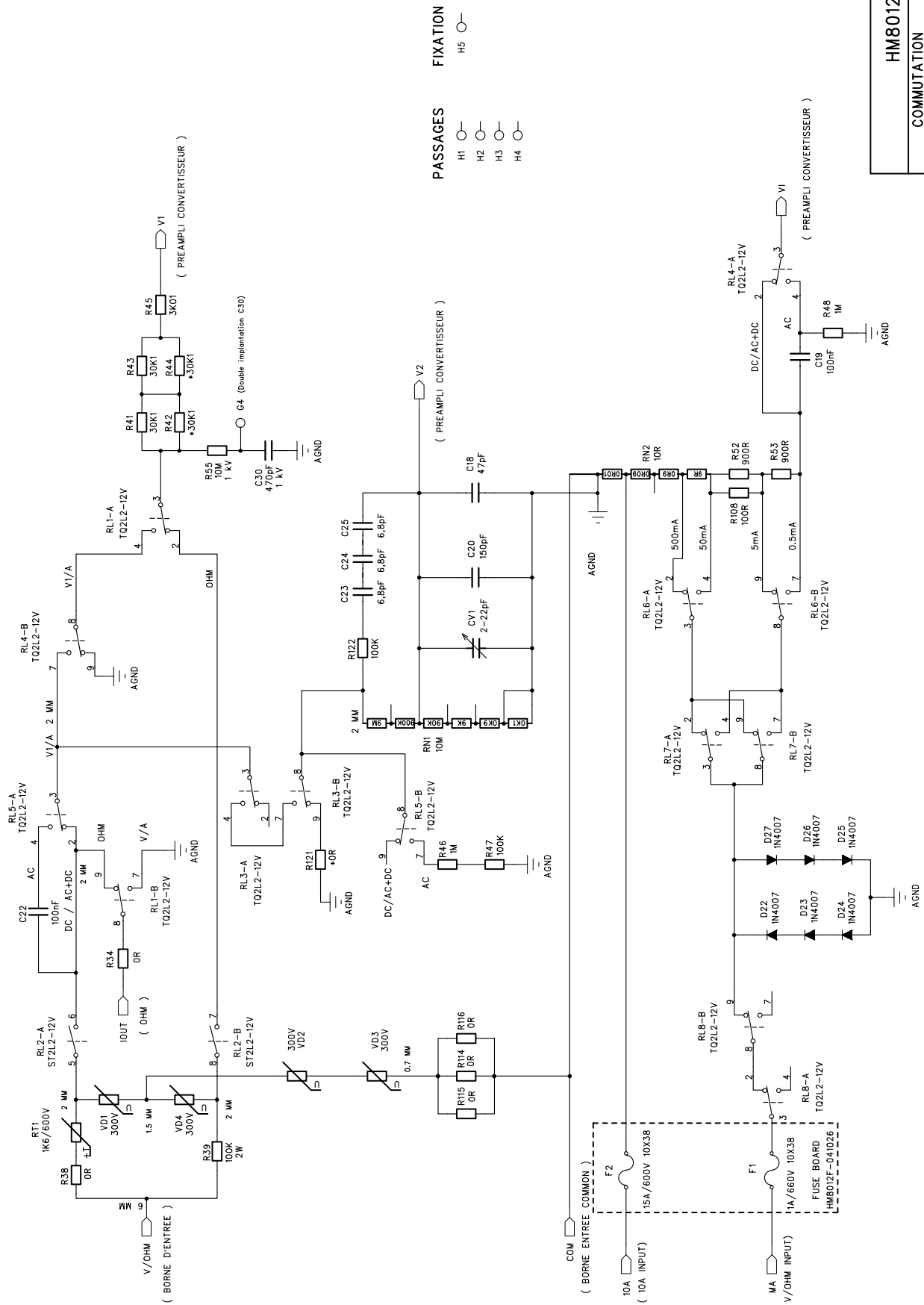
HM8012-2

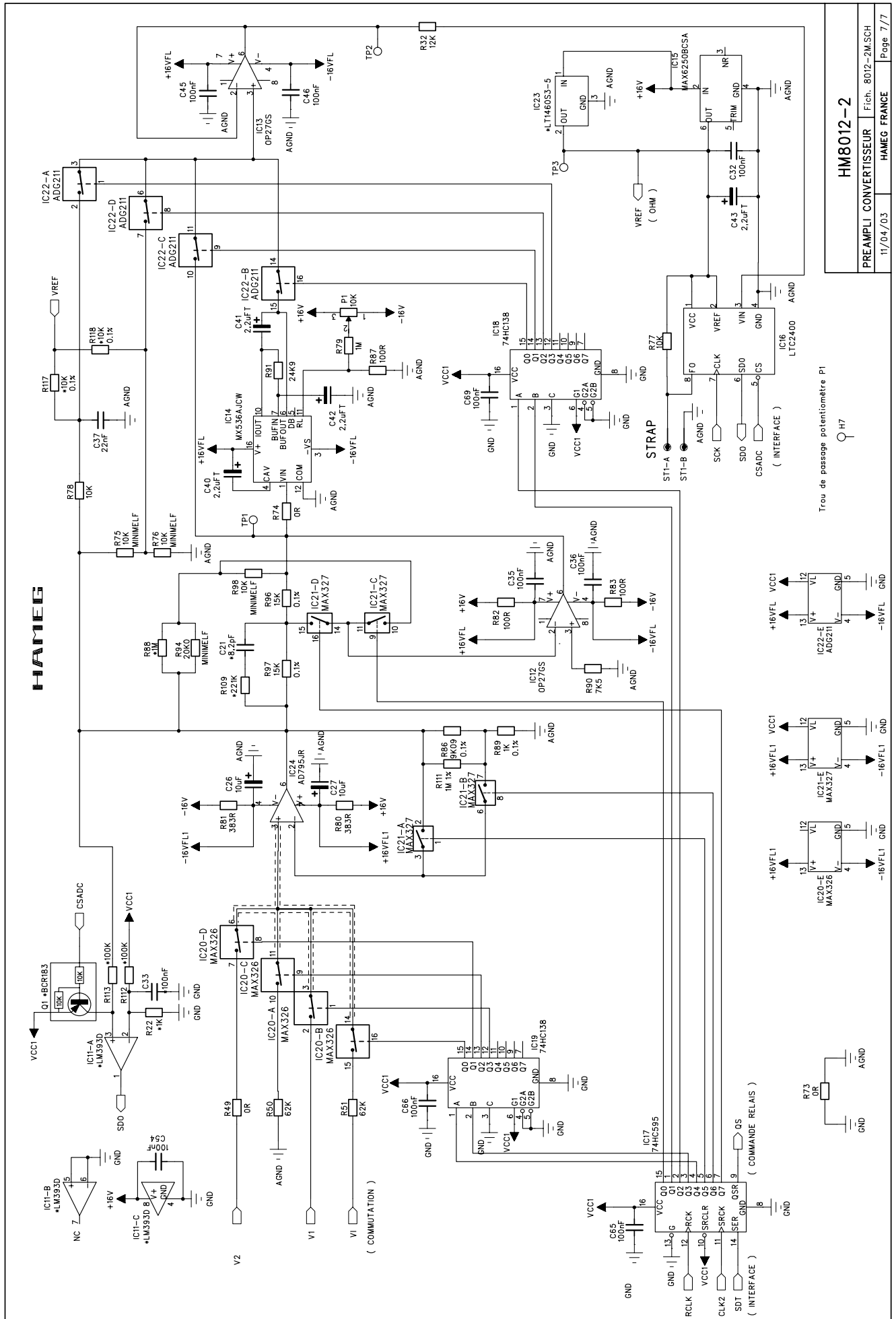
OHM

Fich. 8012-2M.SCH

Page 5/7

11/04/03 HAMEG FRANCE



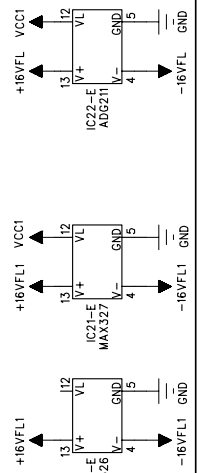


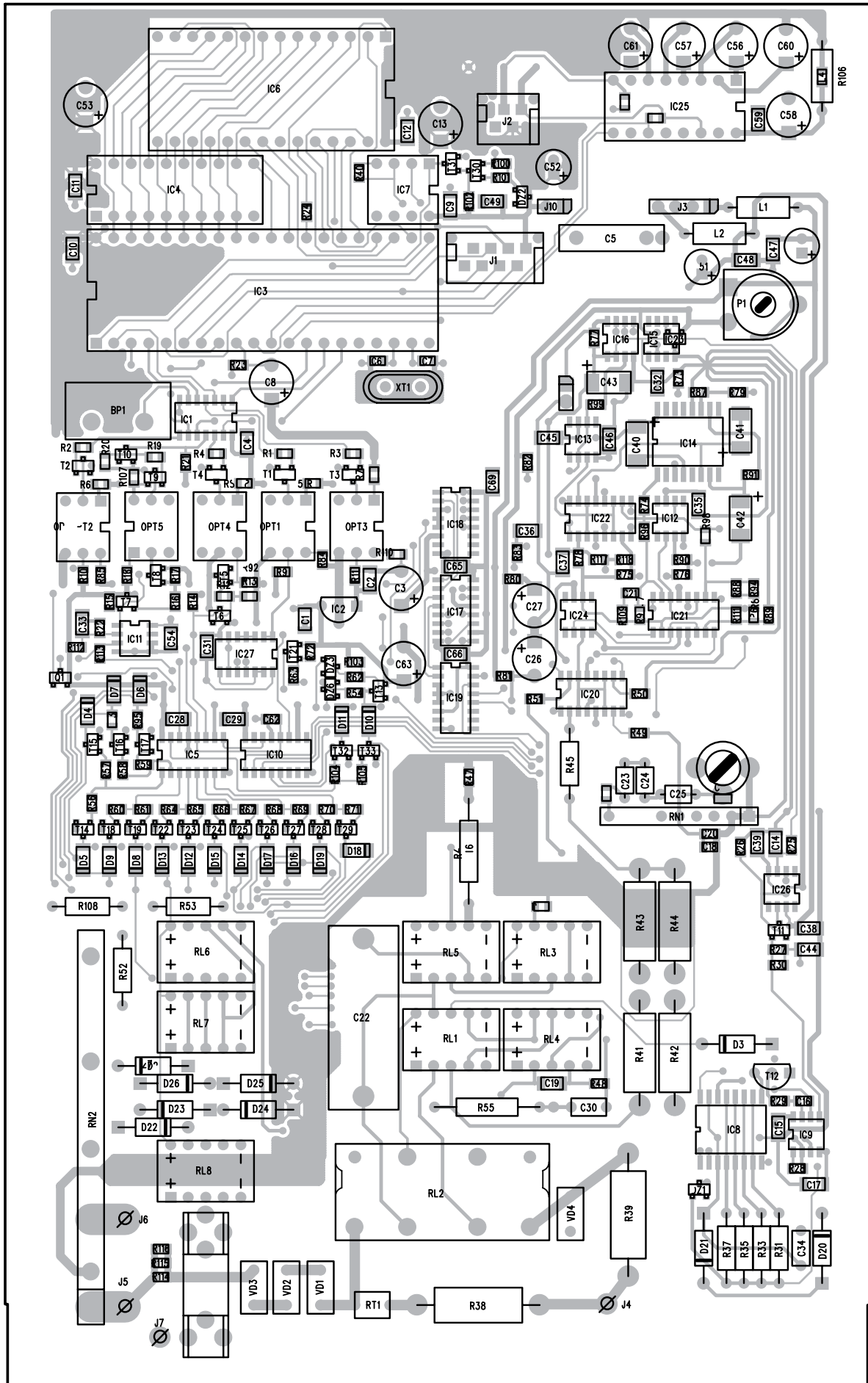
HAMEES

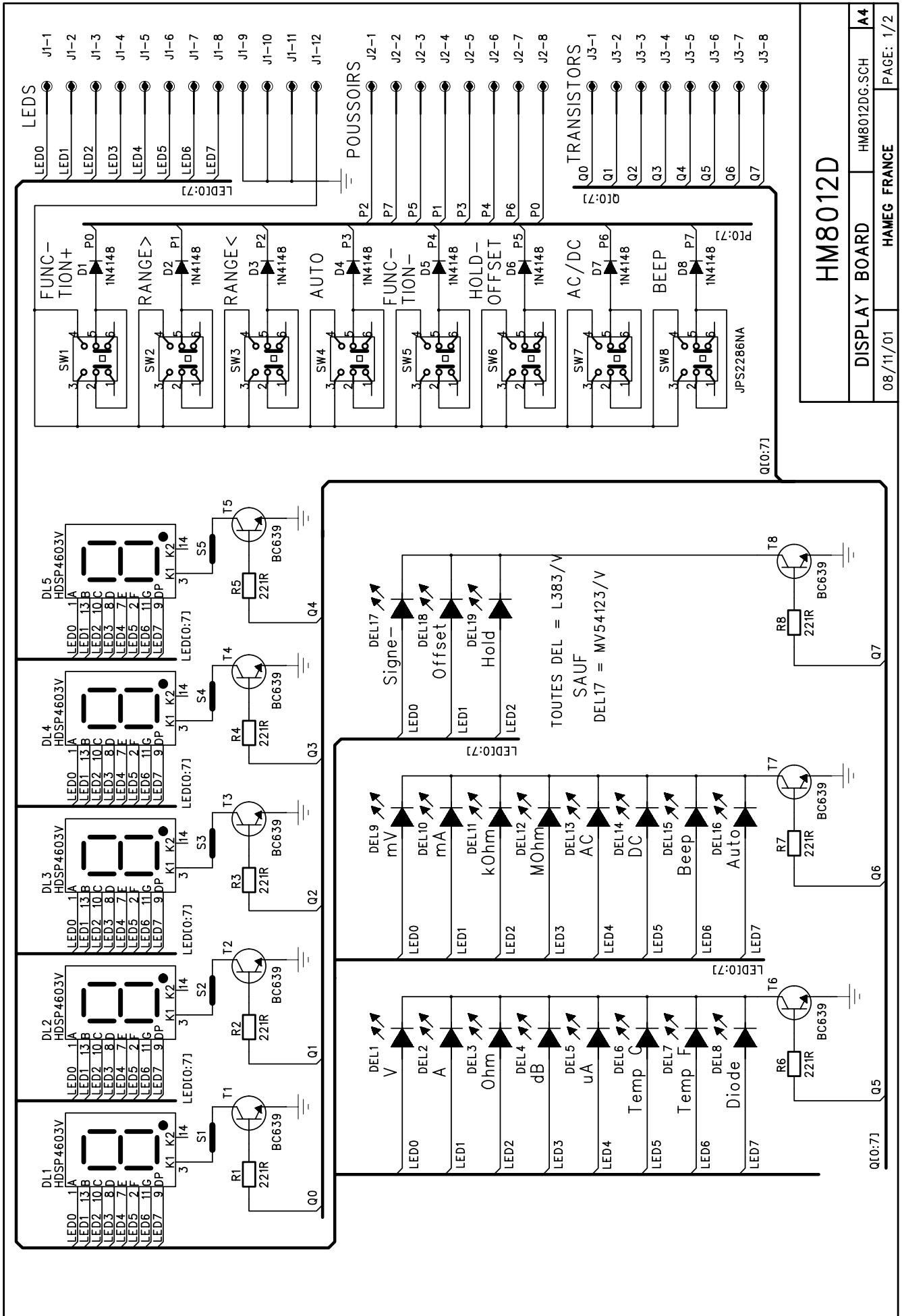
HM8012-2

PREAMPLI CONVERTISSEUR Fich. 8012-2M.SCH
11/04/03 HAMEE FRANCE Page 7 / 7

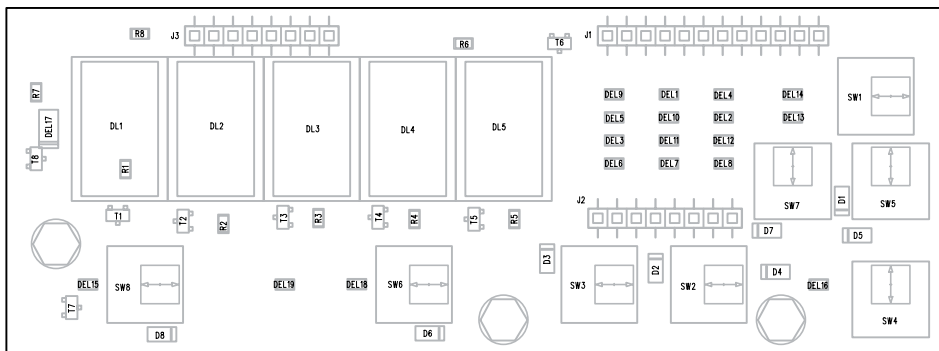
Trou de passage pentamètre P1
Q7



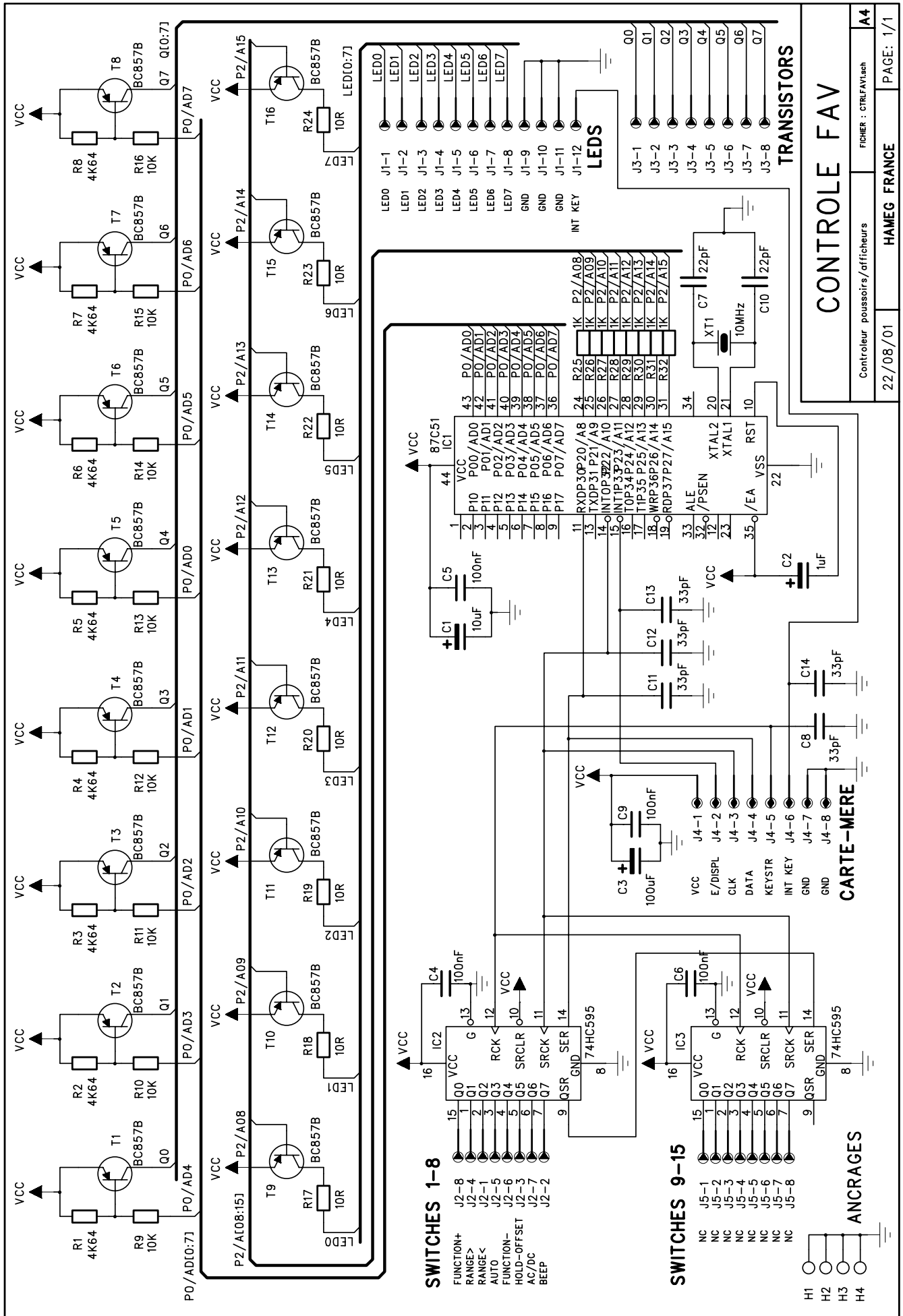




HM8012D
DISPLAY BOARD
 08/11/01 HAMEG FRANCE
 HM8012DC.SCH A4
 PAGE: 1/2



HM8012D-041027.pcb



CONTROLE FAV

Contrôleur : CTRLFAV1.seh

22/08/01 HAMEG FRANCE

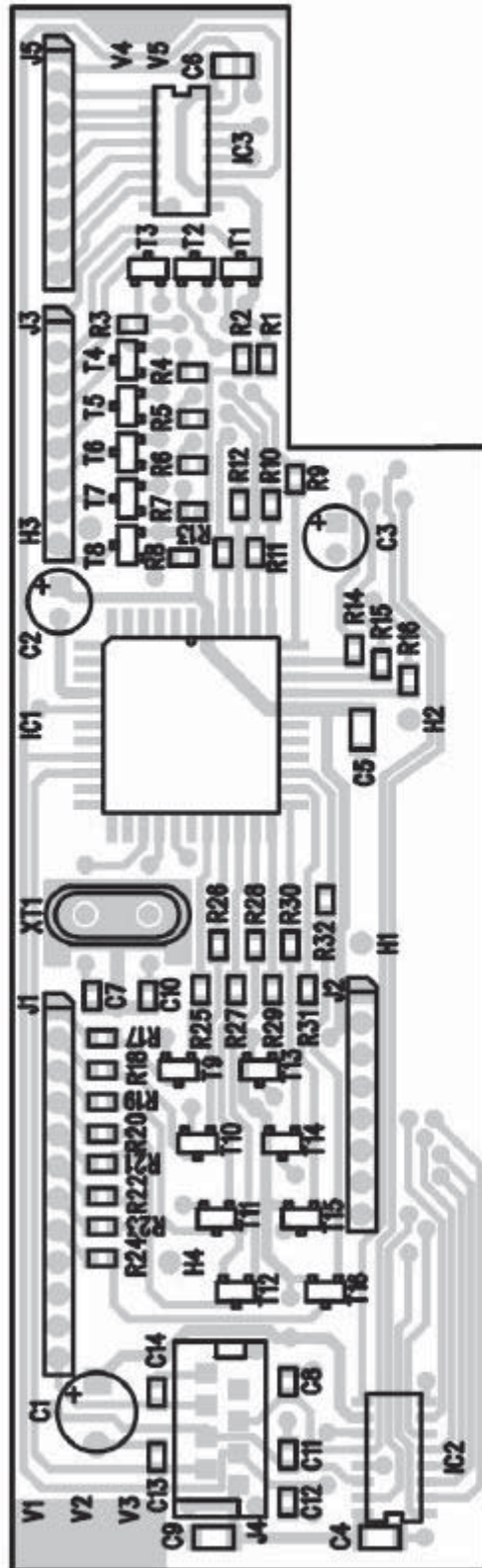
PAGE: 1/1

A4

- SWITCHES 1-8**
- J2-8 FUNCTION+
 - J2-4 RANGE>
 - J2-1 RANGE<
 - J2-5 AUTO
 - J2-3 FUNCTION-
 - J2-2 HOLD-OFFSET
 - J2-7 AC/DC
 - J2-2 BEEP

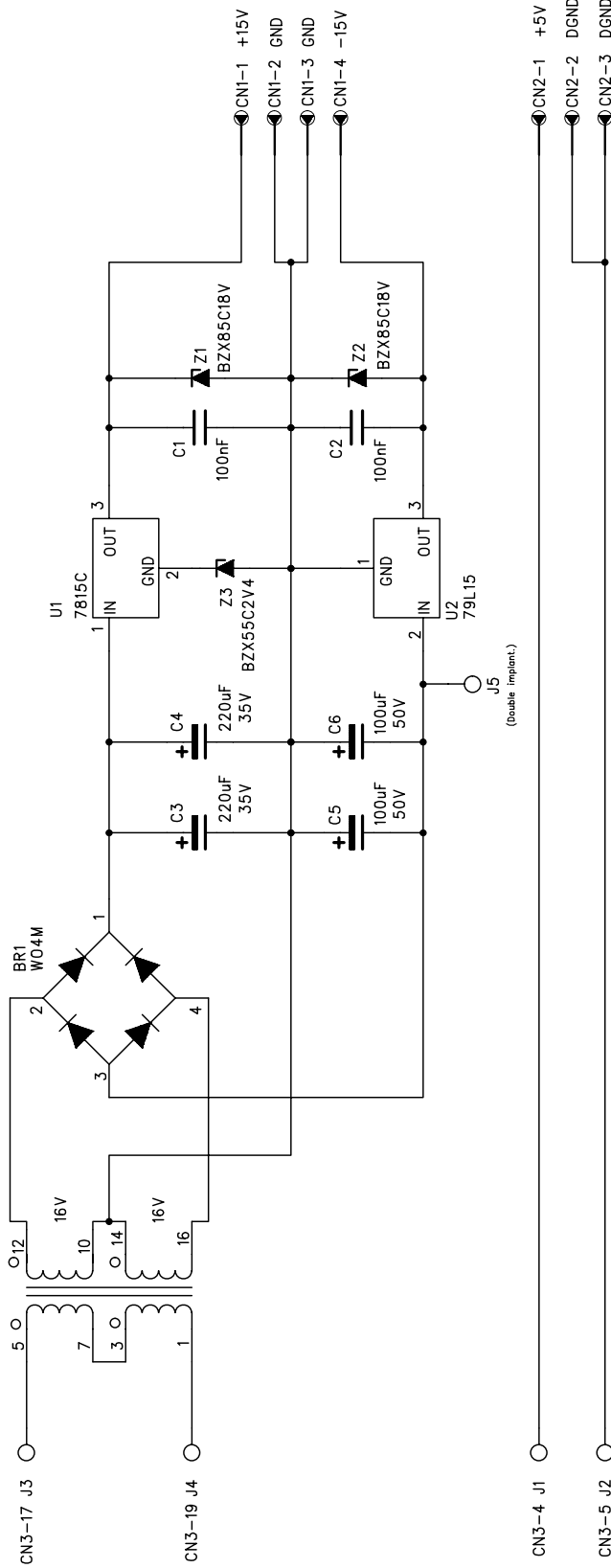
- SWITCHES 9-15**
- J5-1 NC
 - J5-2 NC
 - J5-3 NC
 - J5-4 NC
 - J5-5 NC
 - J5-6 NC
 - J5-7 NC
 - J5-8 NC

- ANCRAGES**
- H1
 - H2
 - H3
 - H4



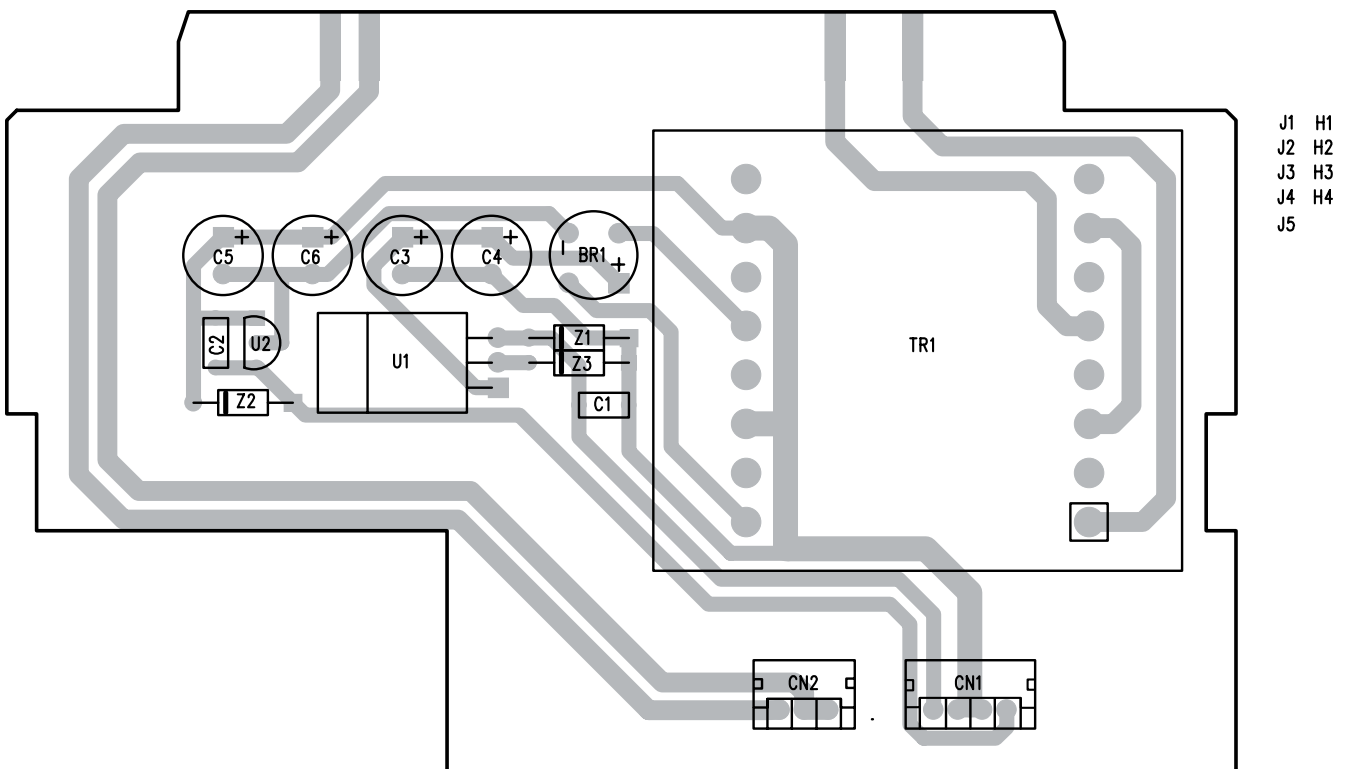


TR1
ALIM MODULE TR-MYRRA-450321

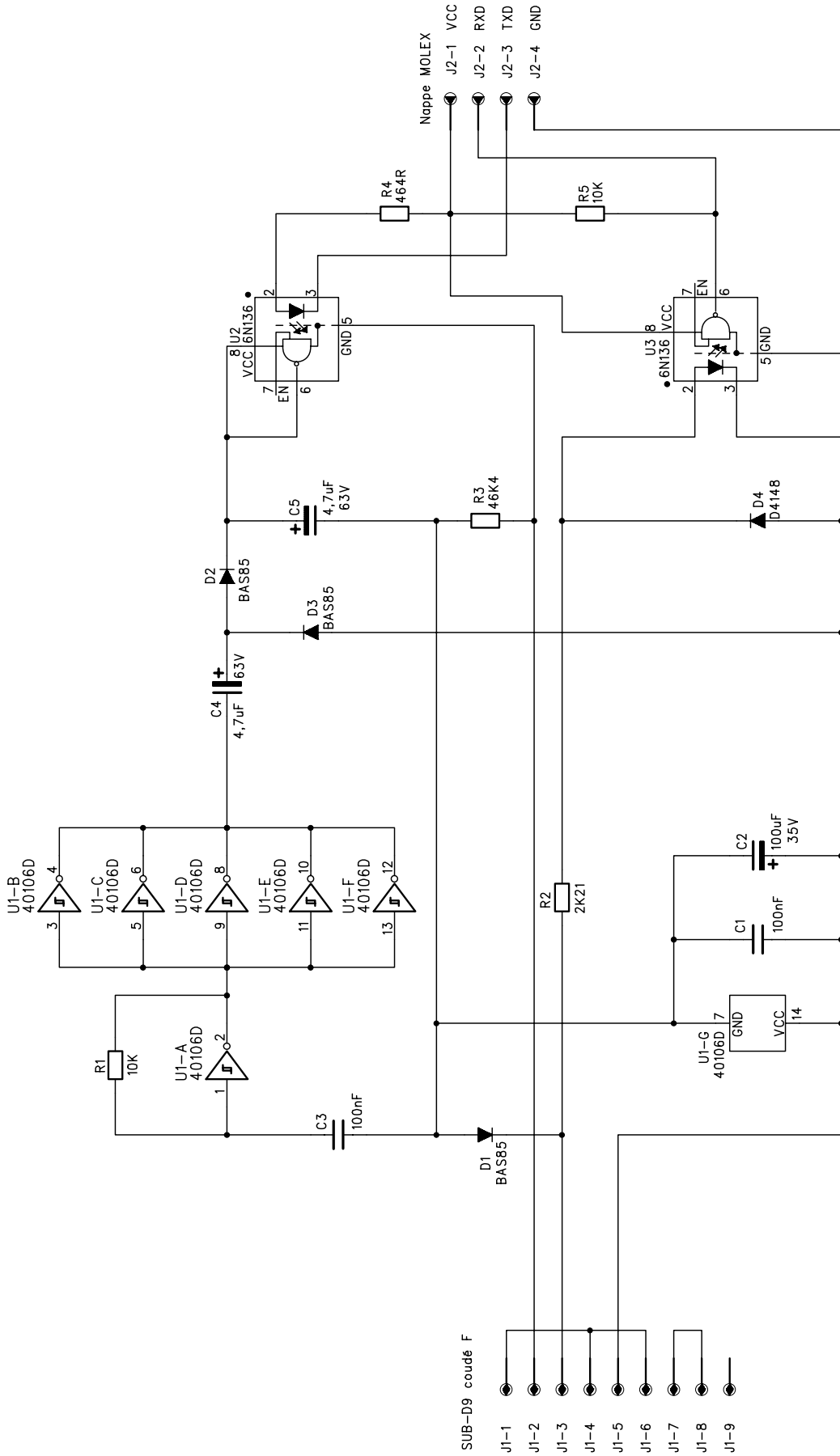


HM8012-2

ALIMENTATION	8012-2A.SCH	A4
04/04/03	HAMEG FRANCE	PAGE: 1/1



HAMEG



RS232

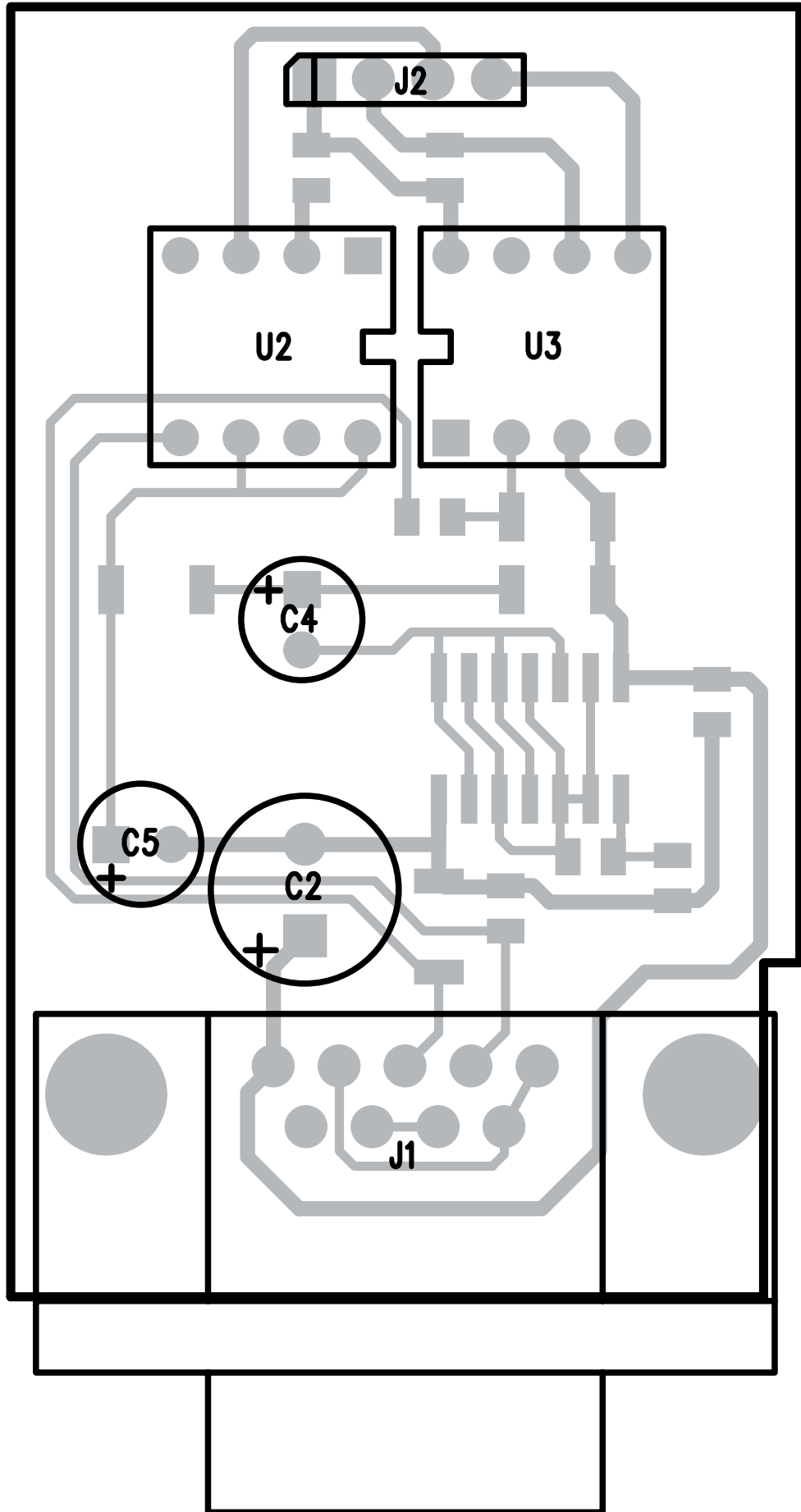
ADAPTATION RS232

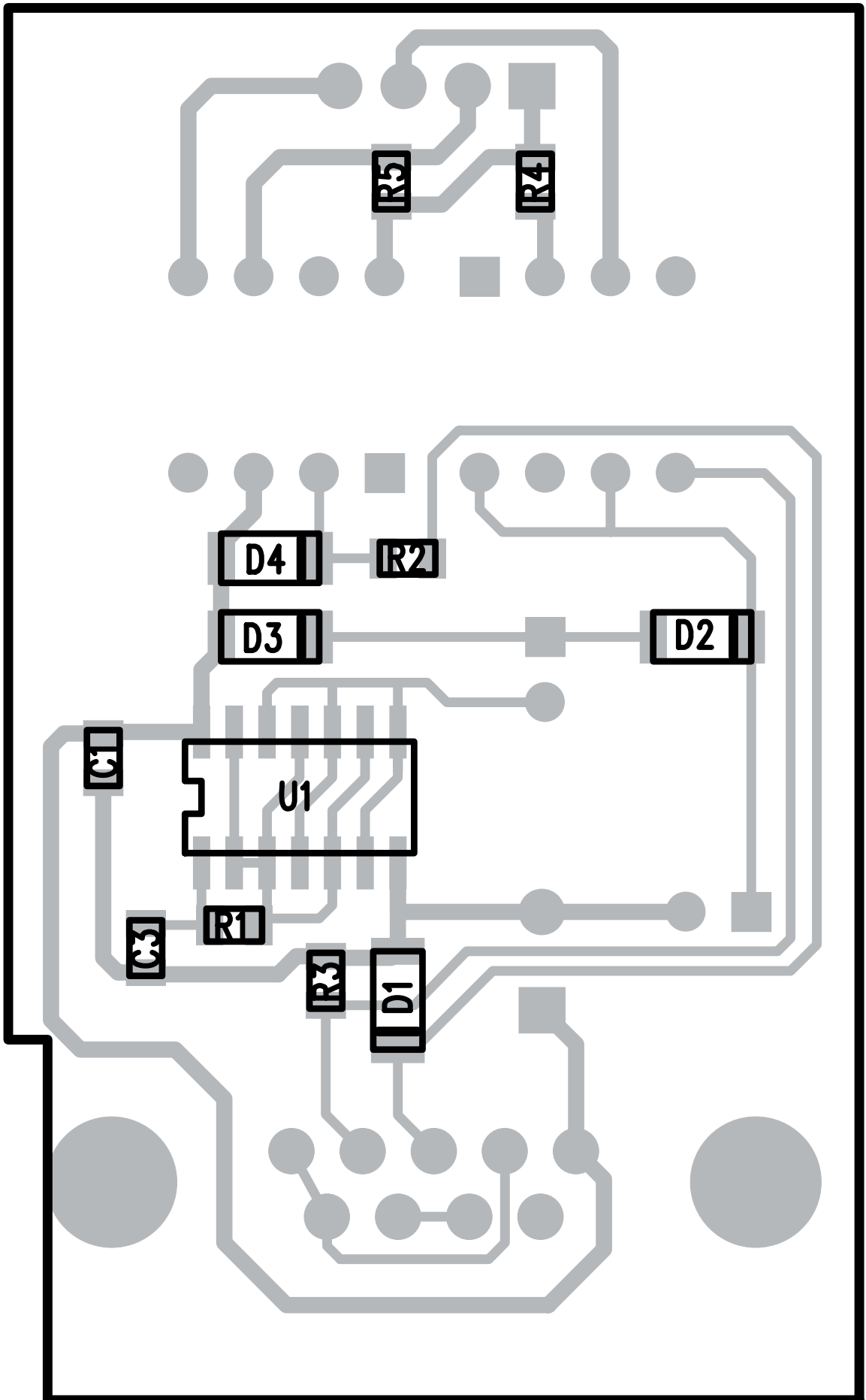
RS232.sch

HAMEG FRANCE

PAGE: 1/1

H1





Oscilloscopes



Spectrum Analyzer



Power Supplies



Modular System
8000 Series



Programmable Instruments
8100 Series



authorized dealer



www.hameg.de

Subject to change without notice
4S-8012-00E0 / 02-11-2005-gw
© HAMEG Instruments GmbH
A Rohde & Schwarz Company
® registered trademark



DQS-Certification: DIN EN ISO 9001:2000
Reg.-Nr.: 071040 QM

HAMEG Instruments GmbH
Industriestraße 6
D-63533 Mainhausen
Tel +49 (0) 61 82 800-0
Fax +49 (0) 61 82 800-100
sales@hameg.de