

**Typical board allocation** ..... 3

**Block Diagram HM404** ..... 4

**AT - Board**

Diagram ..... 6

Diagram ..... 7

Top side..... 9

Rear side ..... 13

**MB - Board**

Diagram ..... 16

Diagram ..... 17

Diagram ..... 18

Diagram ..... 19

Diagram ..... 20

Top side..... 21

Rear side ..... 25

**YF - Board**

Diagram ..... 28

Top and rear side ..... 29

**FC - Board**

Diagram ..... 32

Diagram ..... 33

Top side..... 35

Rear side ..... 39

**Readout - Board**

Diagram ..... 40

Diagram ..... 41

Top side..... 43

Rear side ..... 47

**CRT - Board**

Diagram ..... 50

Top and rear side ..... 51

**PS - Board**

Diagram ..... 54

Top side..... 55

Rear side ..... 59

**IF (RS 232) - Board**

Diagram ..... 62

Top and rear side ..... 63

**PI - Board**

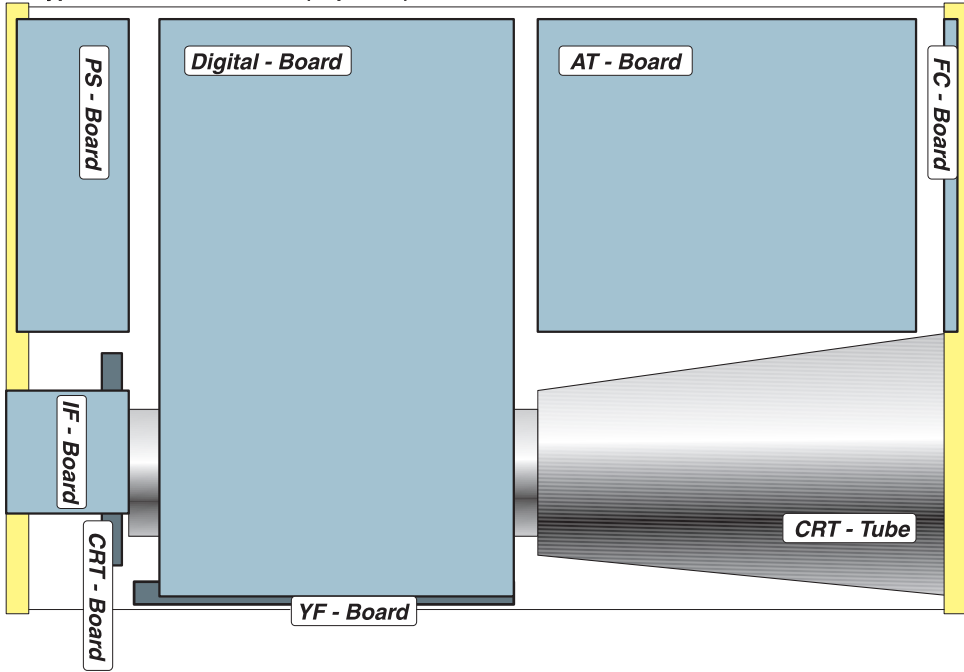
Diagram & Top and rear side ..... 66



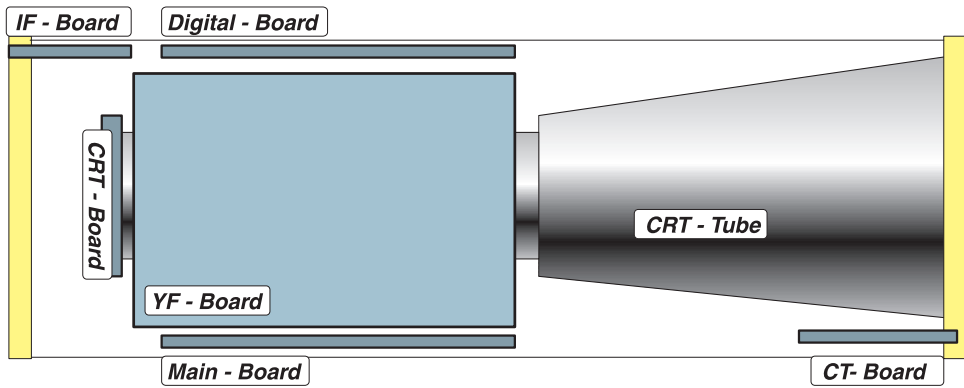
**Circuit Diagrams**  
**HM404-2**



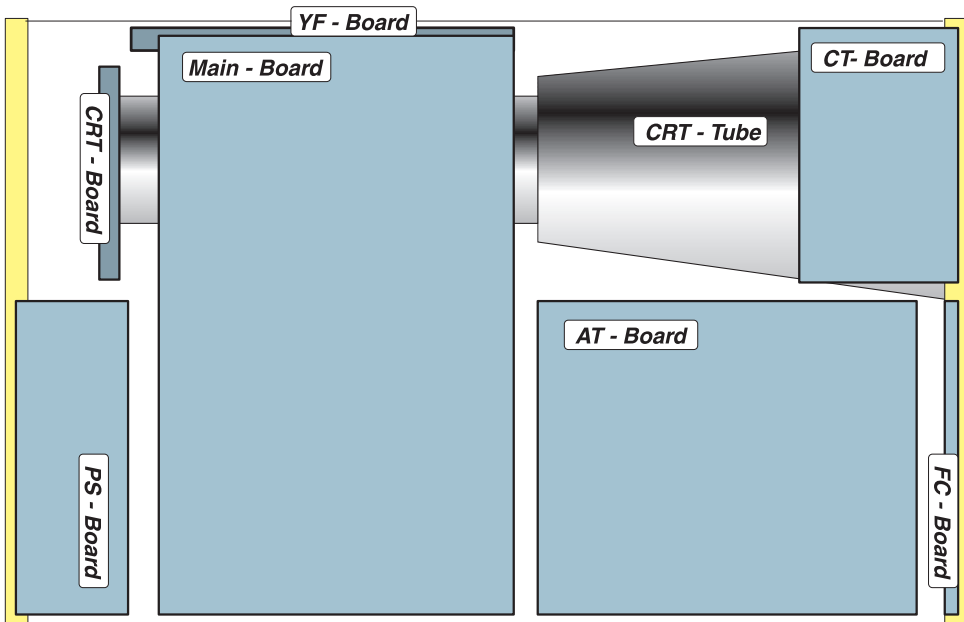
Typical boards allocation (Top view)

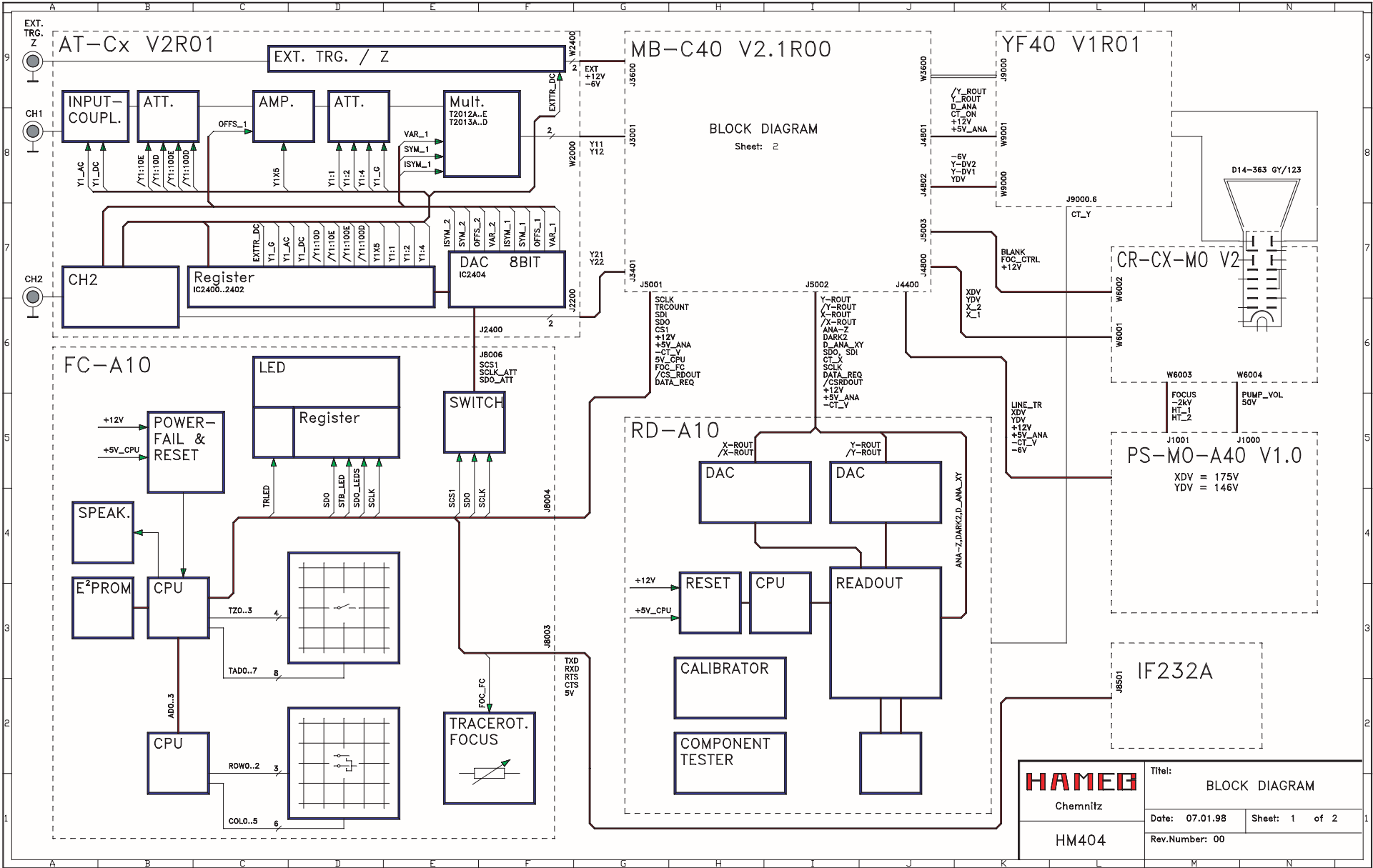


Typical boards allocation (Back side)



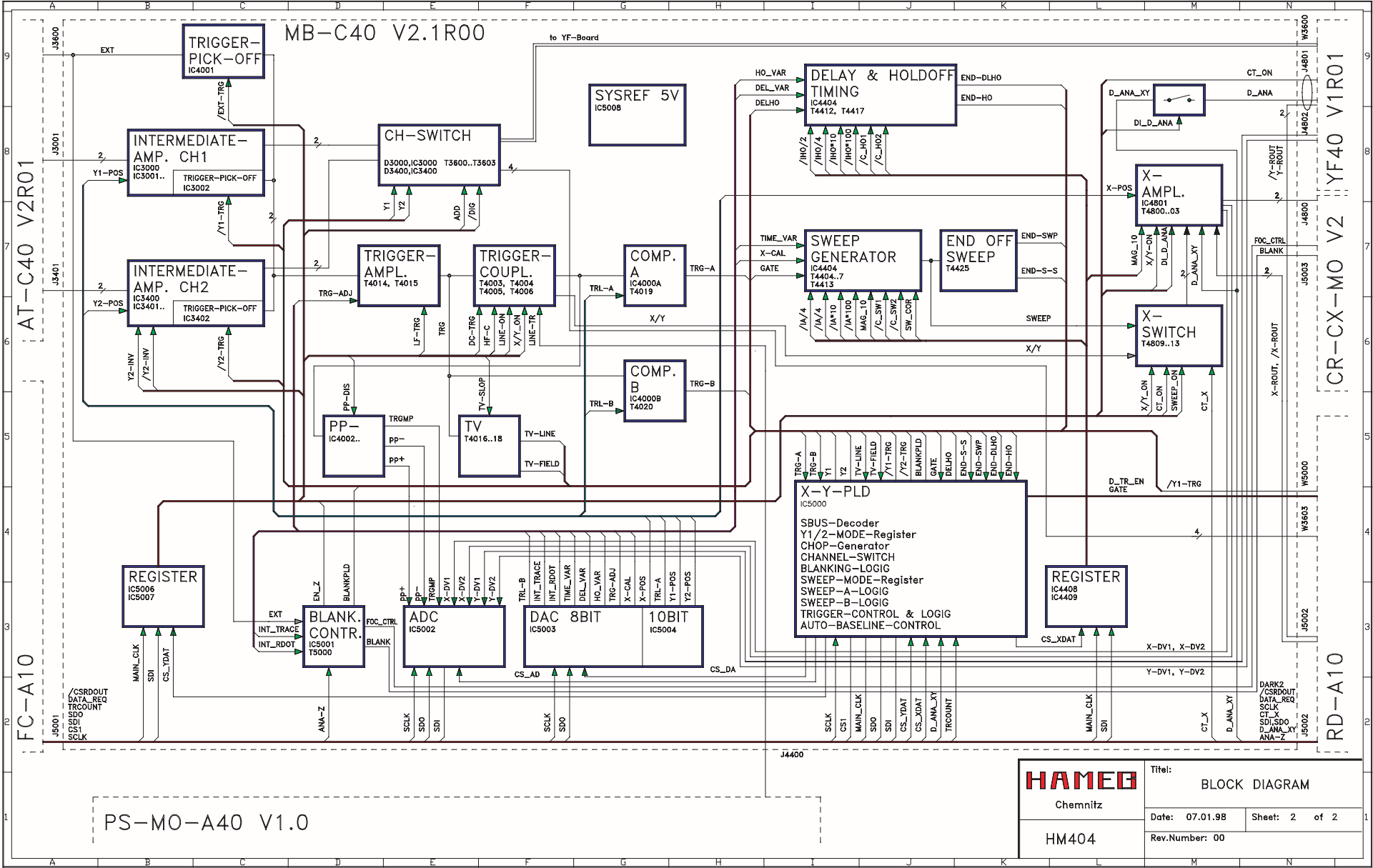
Typical boards allocation (Bottom view)





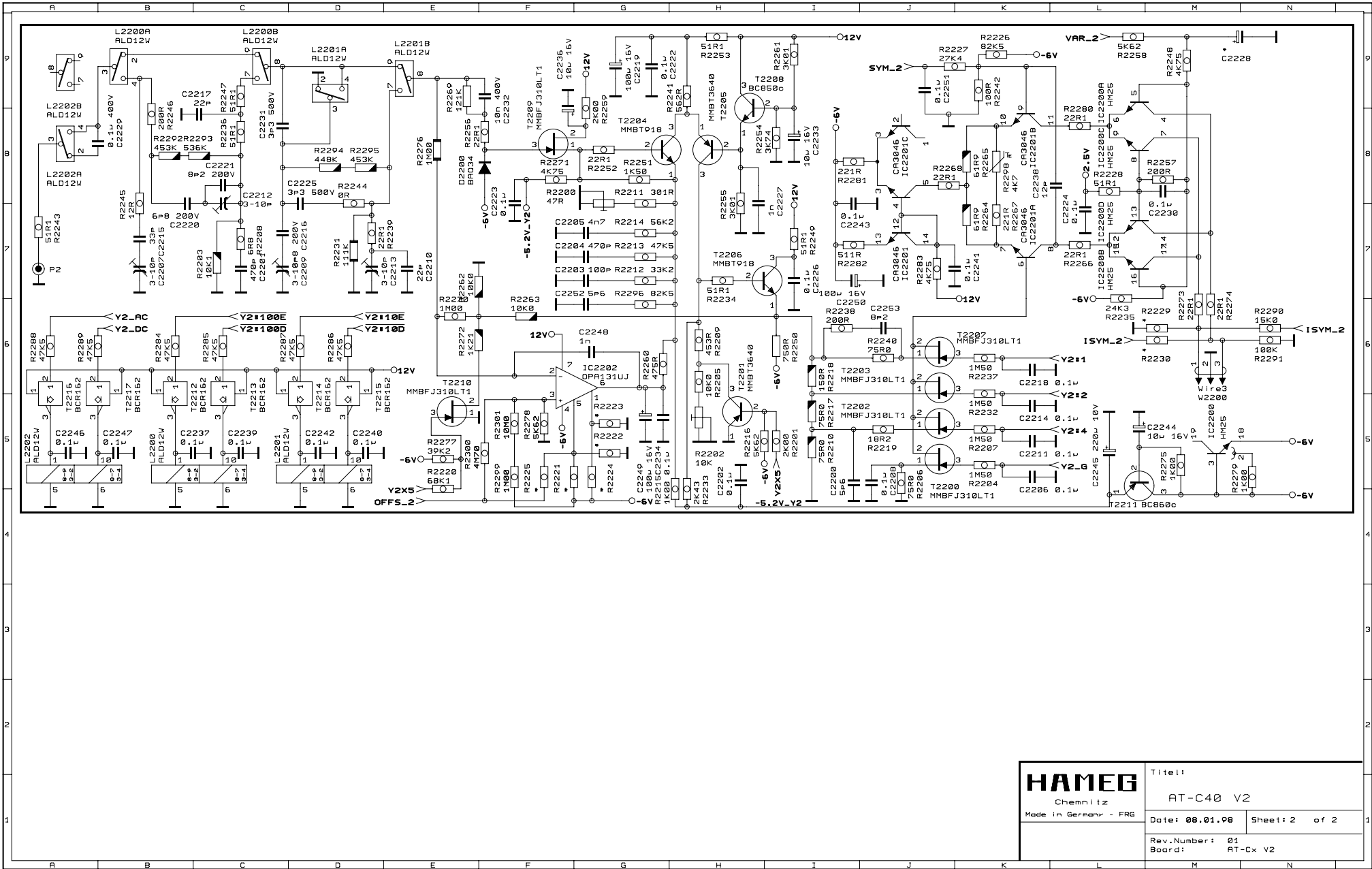
BLOCK DIAGRAM  
Sheet: 2

<b>HAMEG</b> Chemnitz	Titel: BLOCK DIAGRAM	
	Date: 07.01.98	Sheet: 1 of 2
	Rev.Number: 00	



<b>HAMEG</b> Chemnitz HM404	Title: BLOCK DIAGRAM	
	Date: 07.01.98	Sheet: 2 of 2
	Rev.Number: 00	

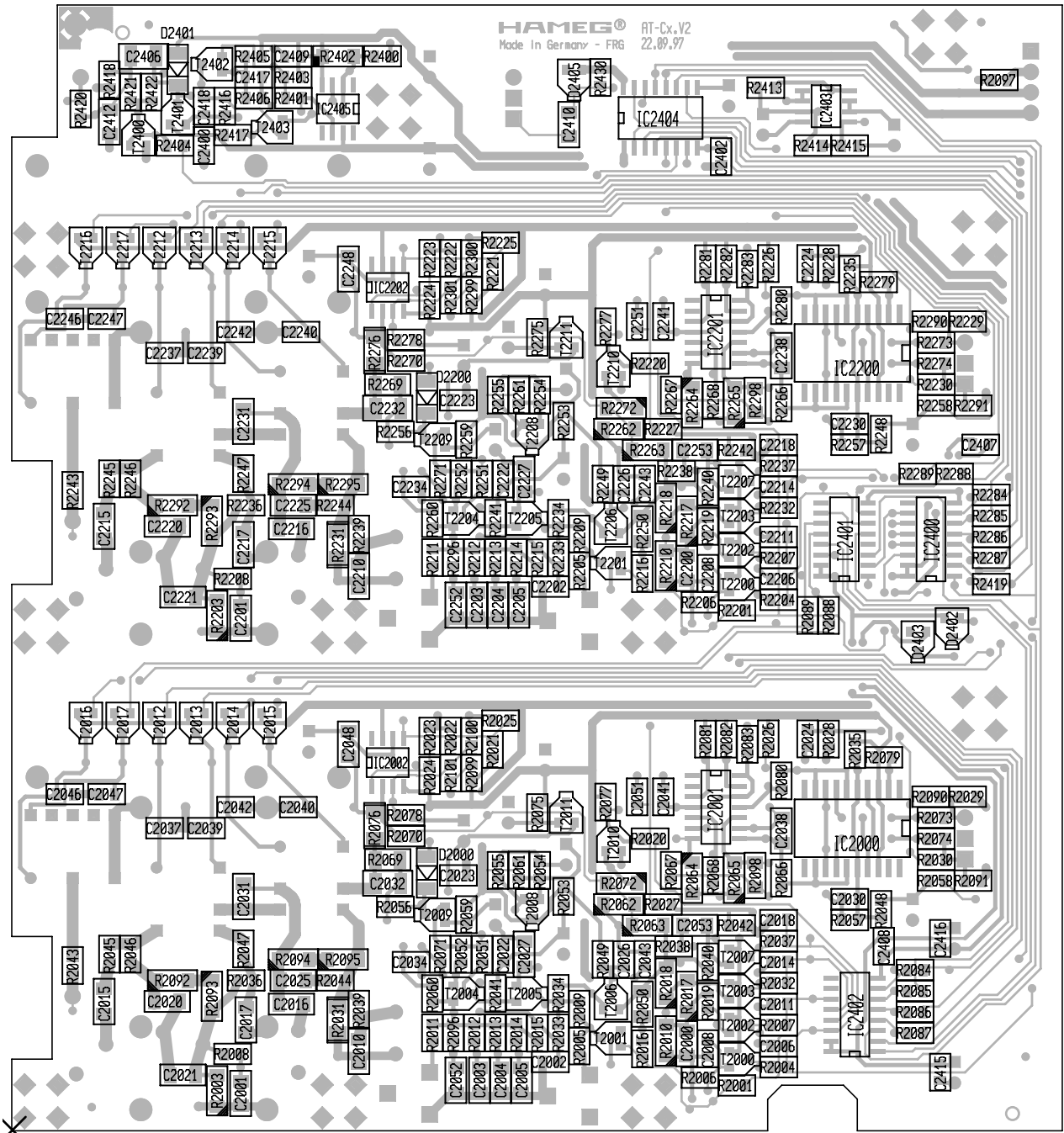




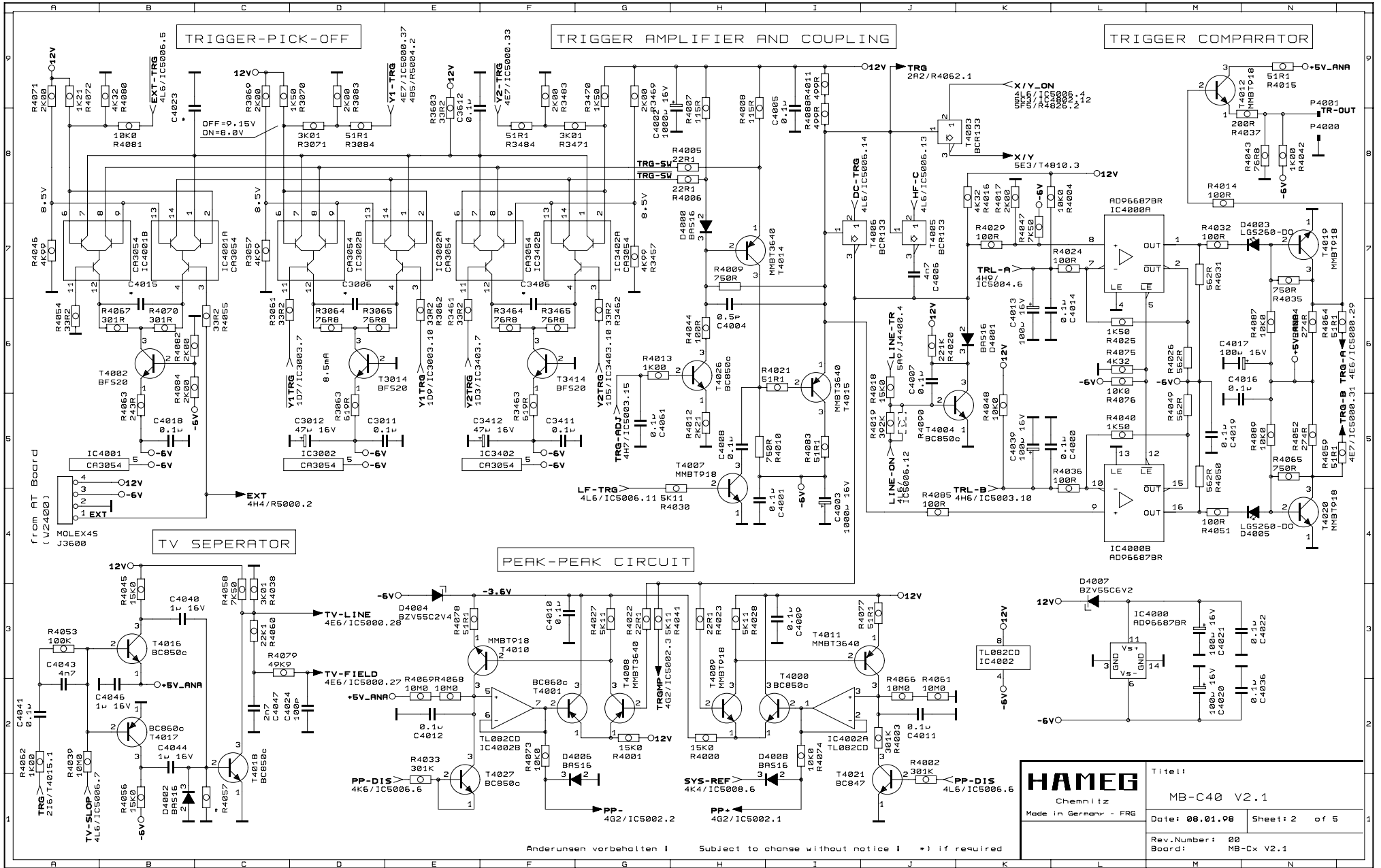
<b>HAMEG</b> Chemnitz Made in Germany - FRG	Titel: AT-C40 V2	
	Date: 08.01.98	Sheet: 2 of 2
	Rev.Number: 01 Board: AT-Cx V2	





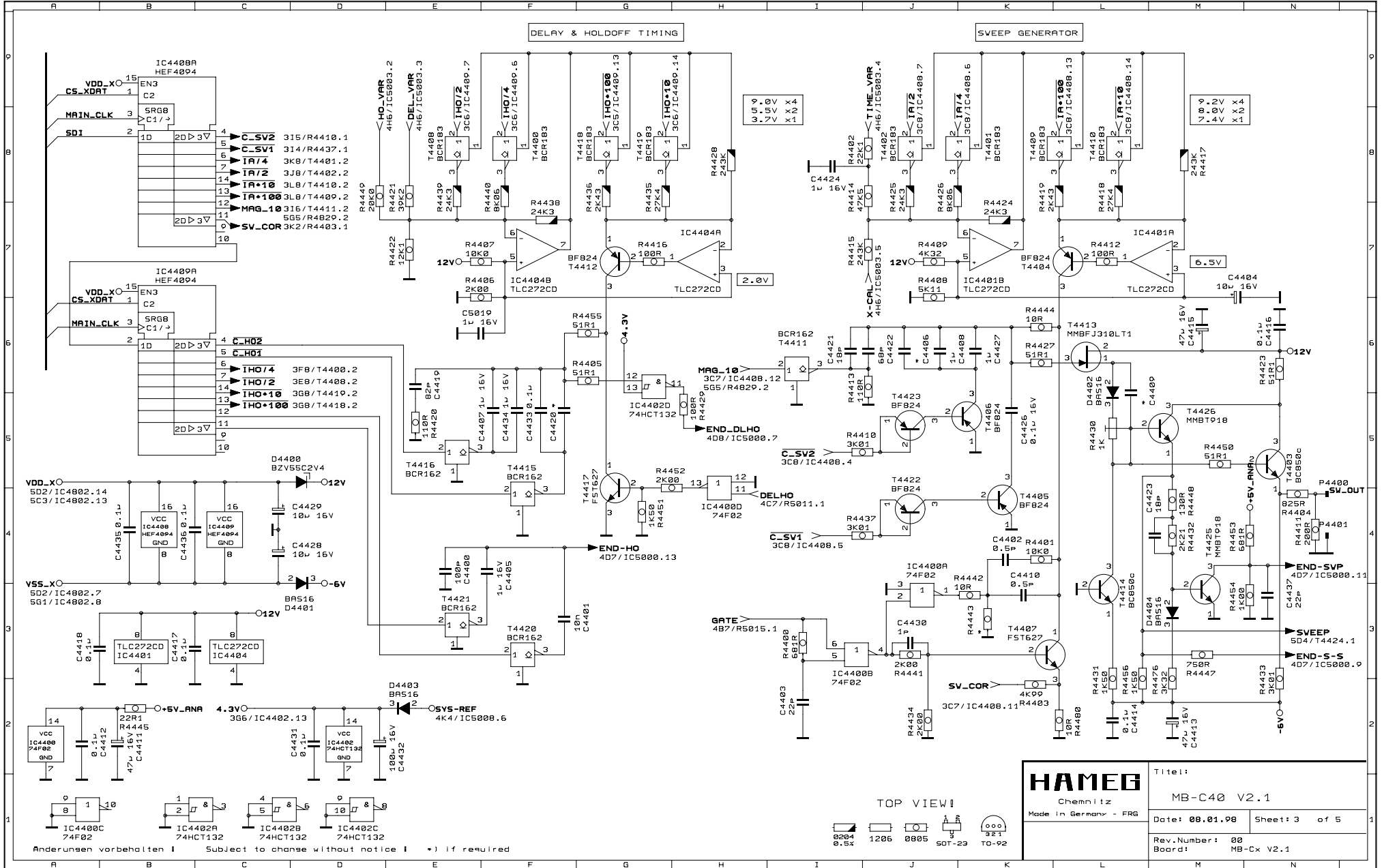






<b>HAMEG</b> Chemnitz Made in Germany - FRG	Titel:	
	MB-C40 V2.1	
	Date: 08.01.98	Sheet: 2 of 5
	Rev. Number: 00	Board: MB-Cx V2.1

Anderungen vorbehalten | Subject to change without notice | \*) if required



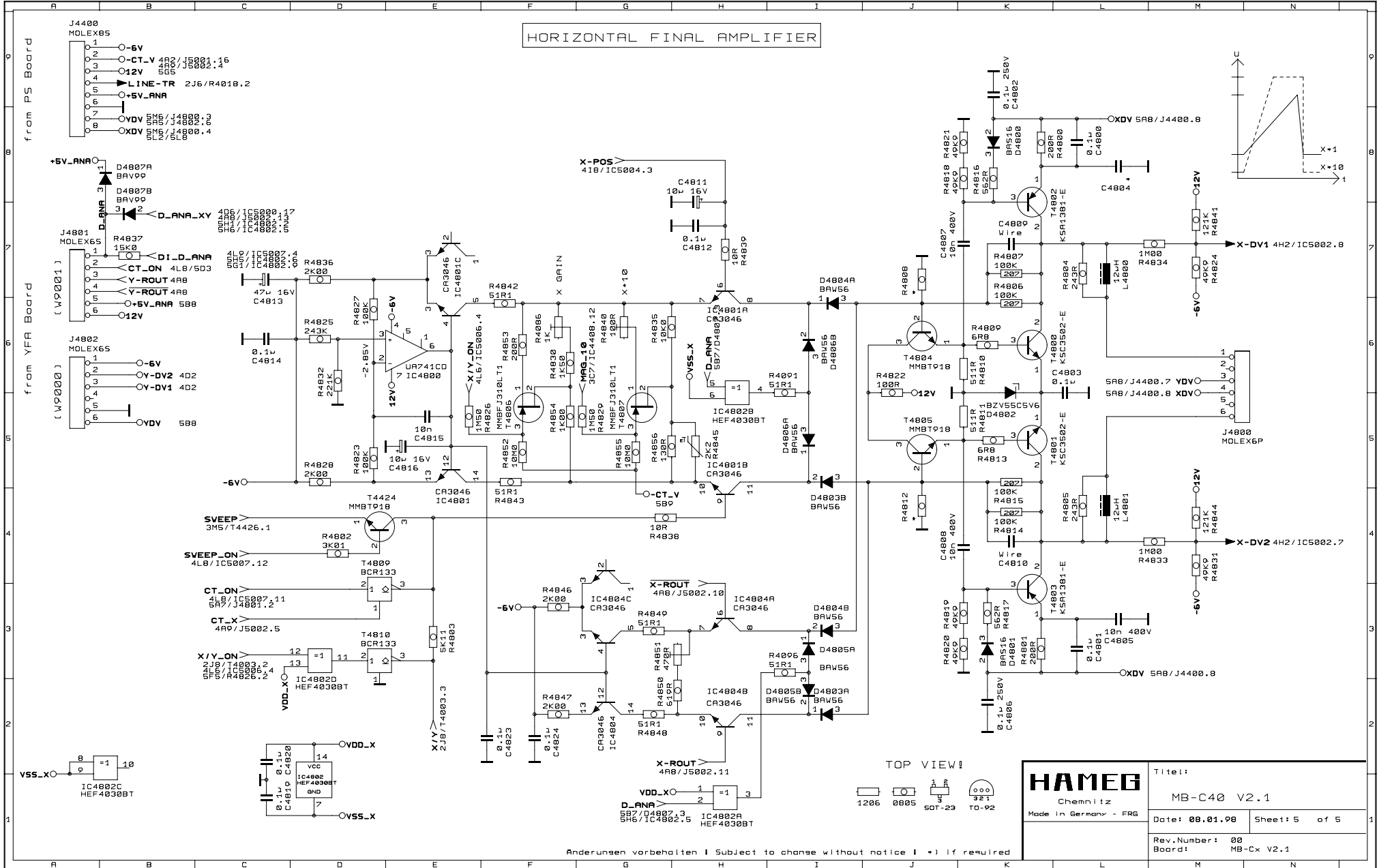
<p><b>HAMEG</b> Chemnitz Made in Germany - FRG</p>	Title:	
	MB-C40 V2.1	
	Date: 08.01.98	Sheet: 3 of 5
	Rev. Number: 08	Board: MB-Cx V2.1

TOP VIEW!



Anderungen vorbehalten | Subject to change without notice | \*) if required





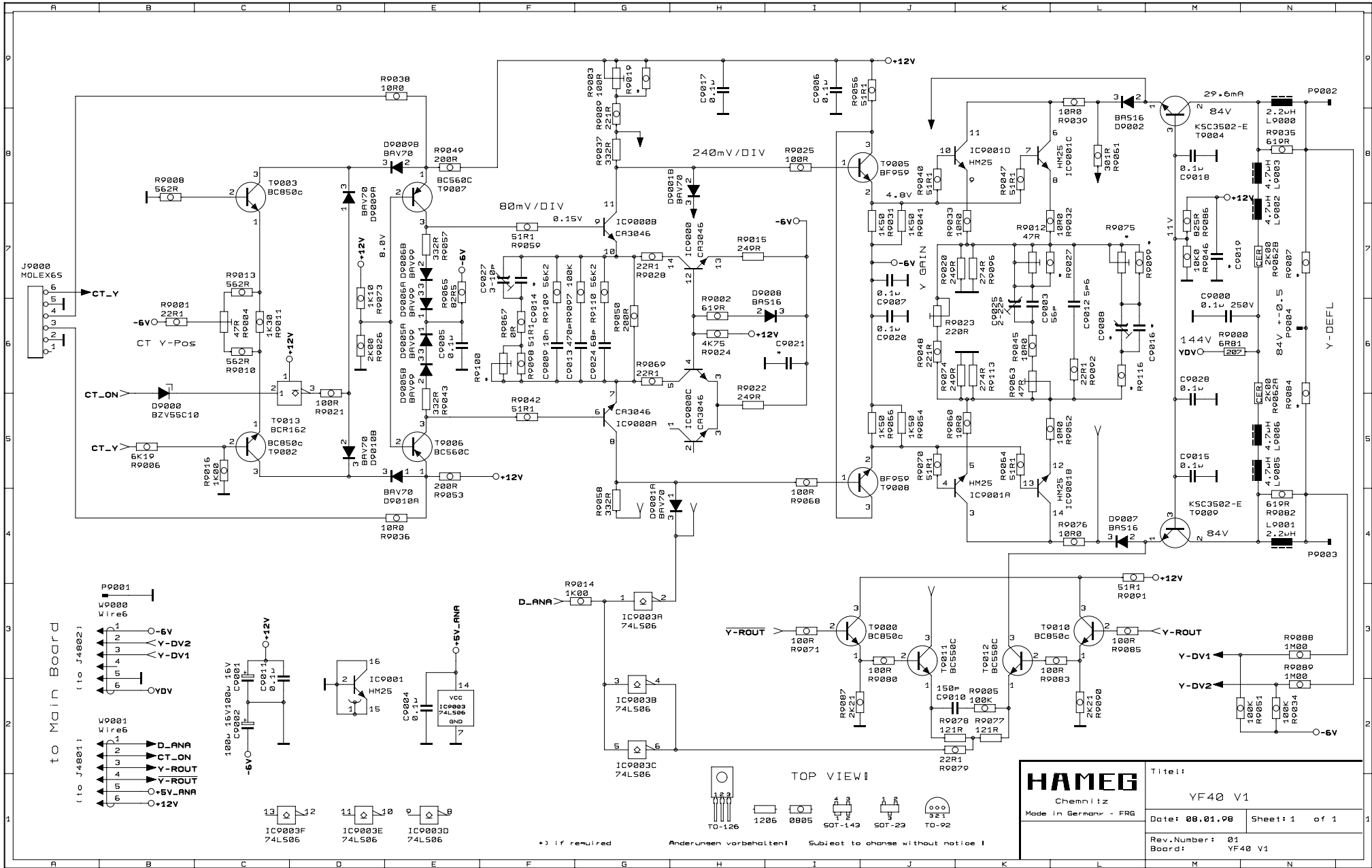
Andersungen vorbehalten | Subject to change without notice | \*) if required





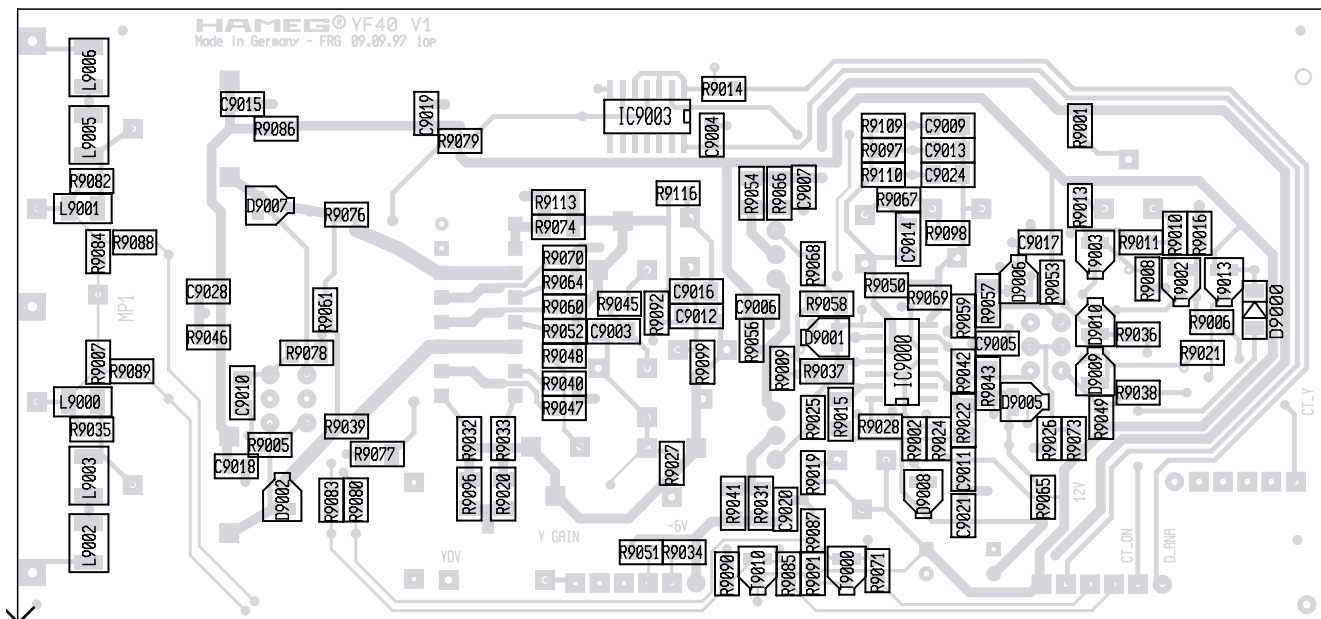
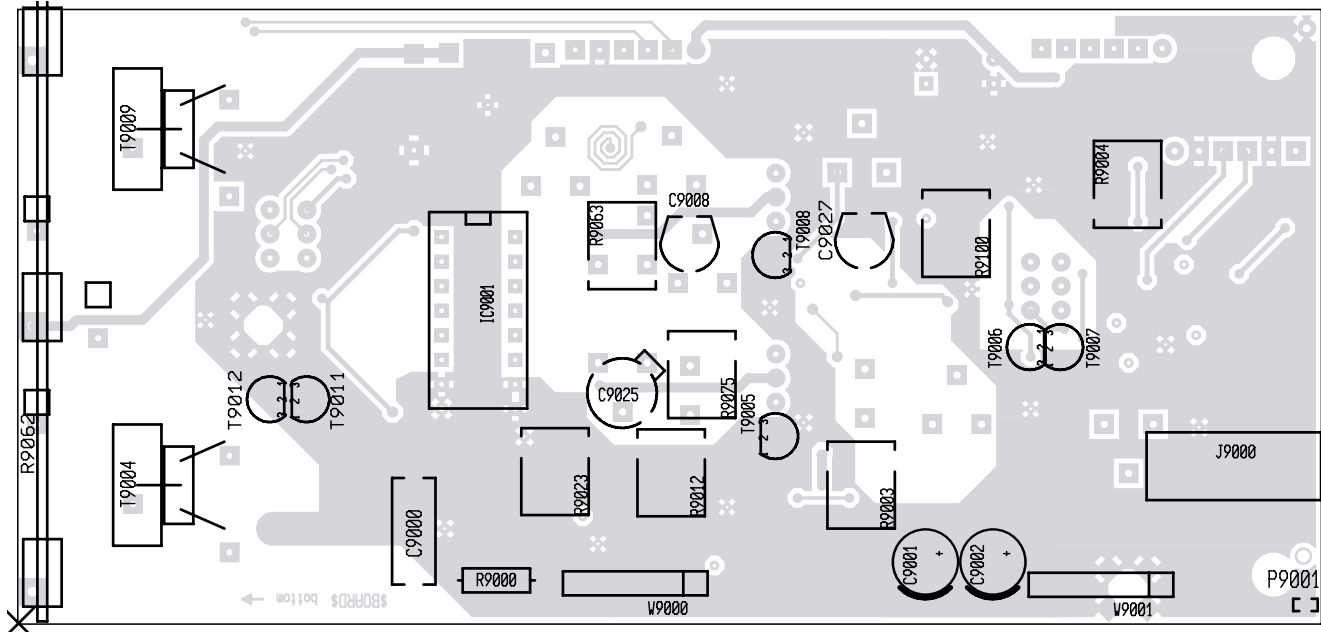




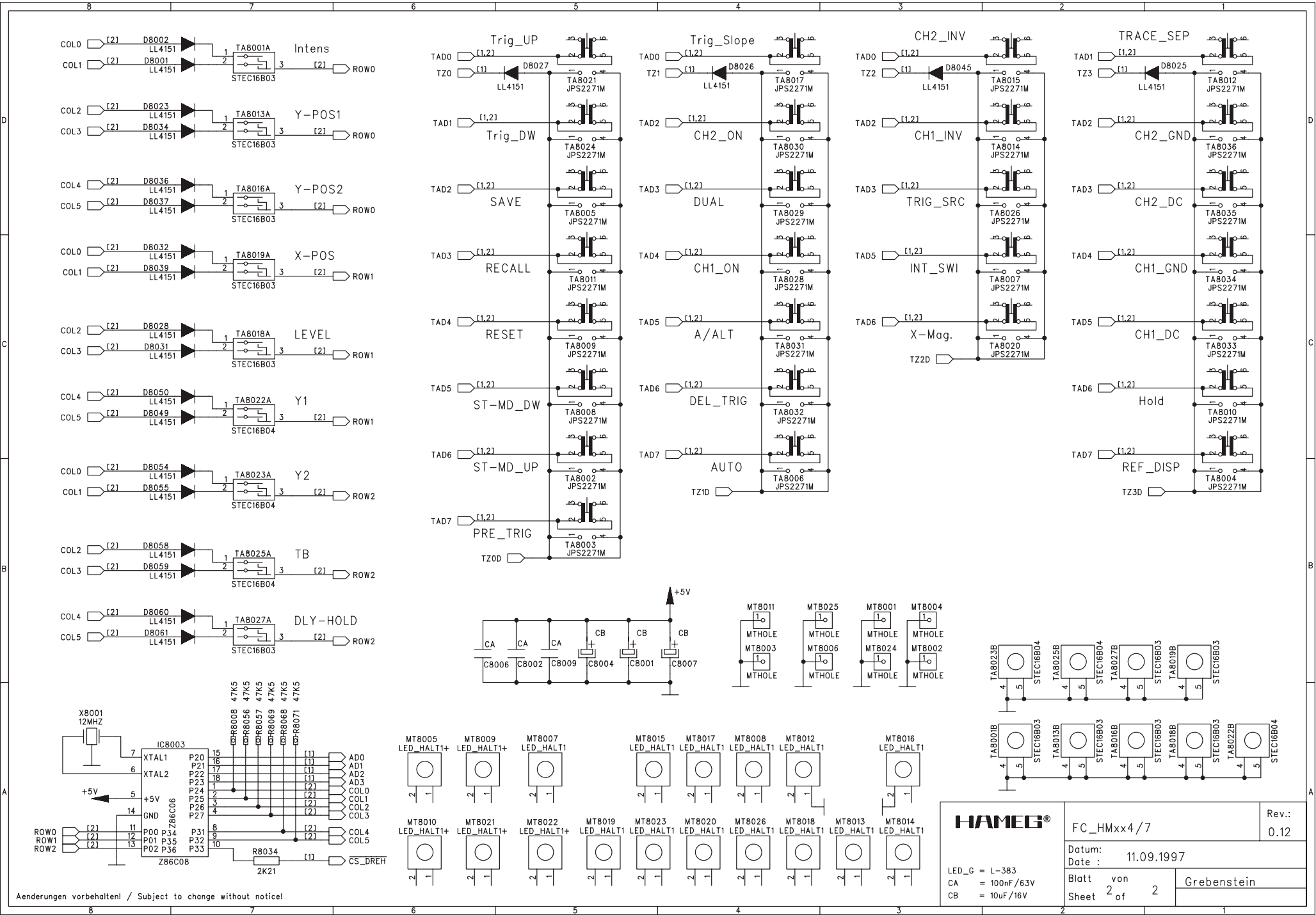


<p><b>HAMEG</b> Chemnitz Made in Germany - FRG</p>	Title:	
	YF40 V1	
	Date: 08.01.98	Sheet: 1 of 1
Rev. Number: 01		Board: YF40 V1

YF - Board Top and rear side

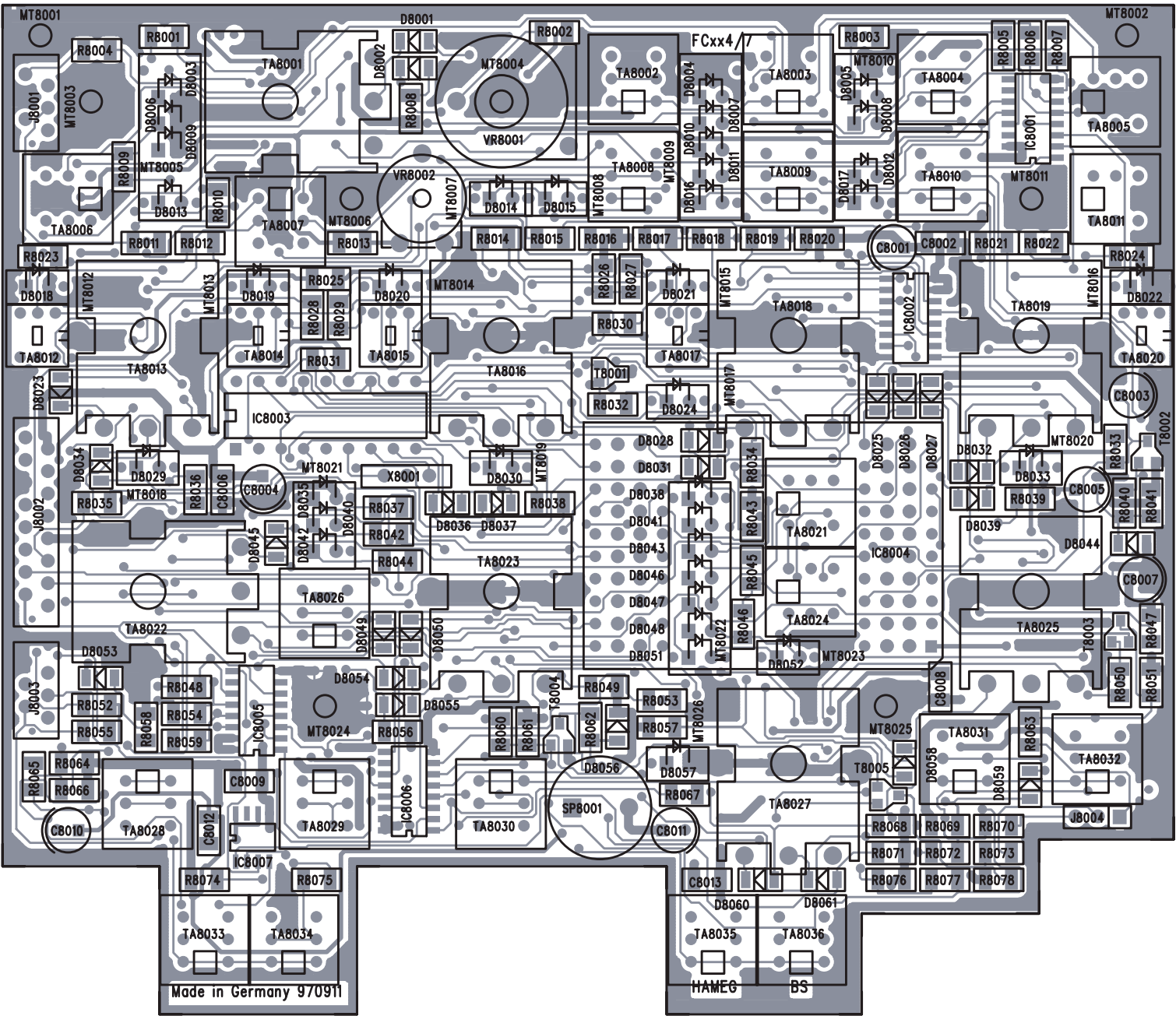


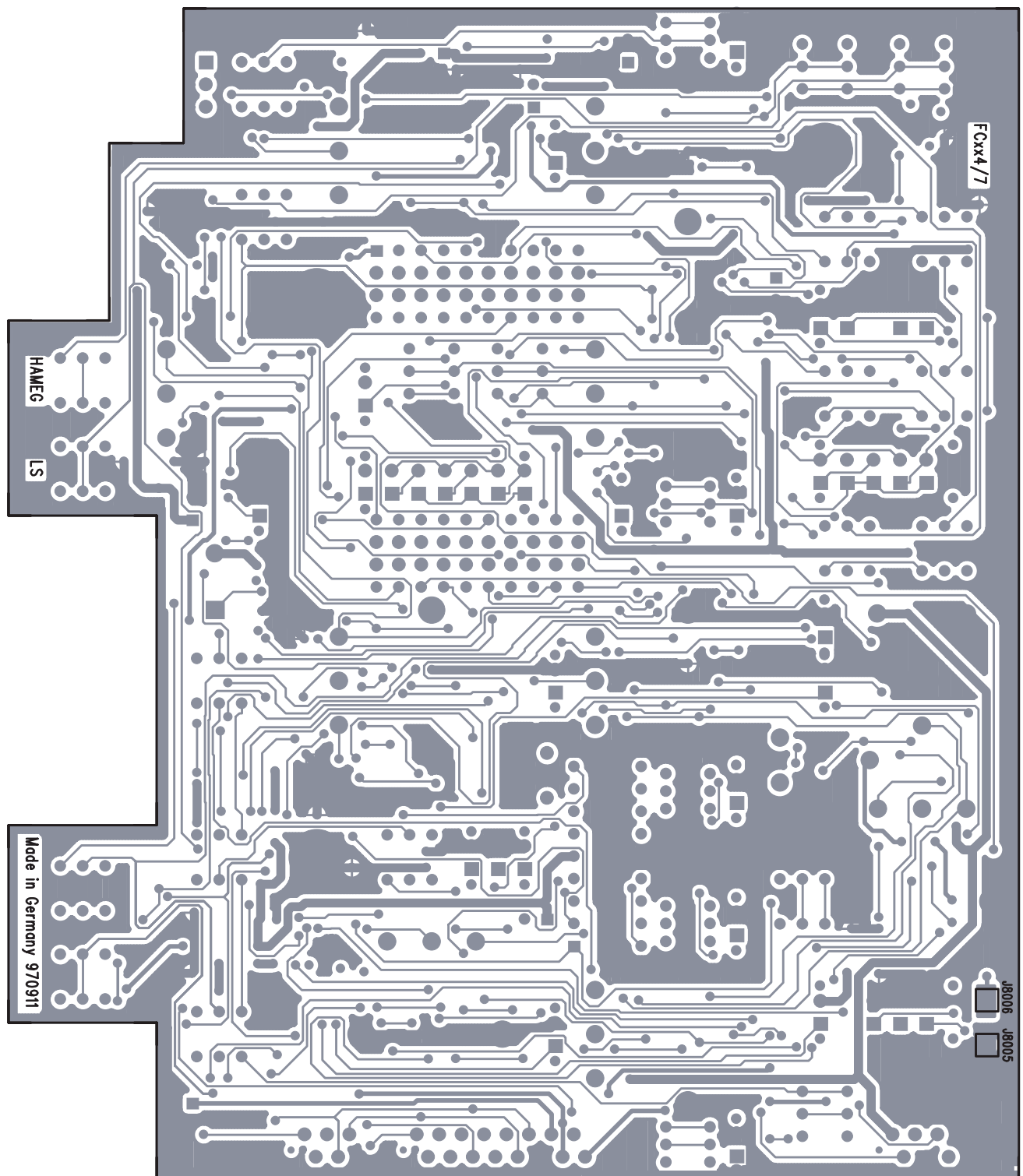




Aenderungen vorbehalten! / Subject to change without notice!

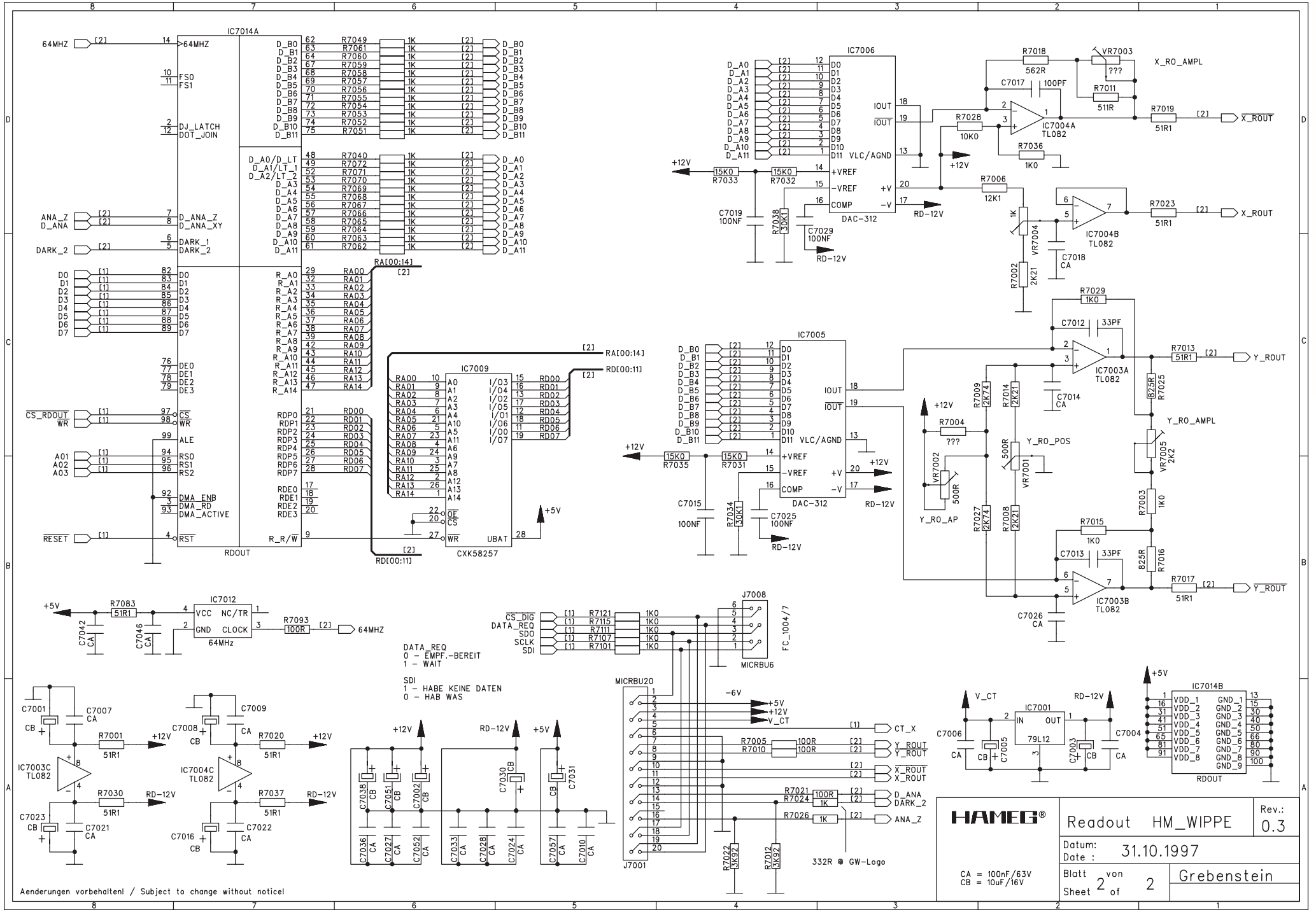
	FC_HMxx4/7	Rev.: 0.12
	Datum: 11.09.1997	
LED_G = L-383 CA = 100nF/63V CB = 10uF/16V	Blatt von 2 of 2	Grebenstein





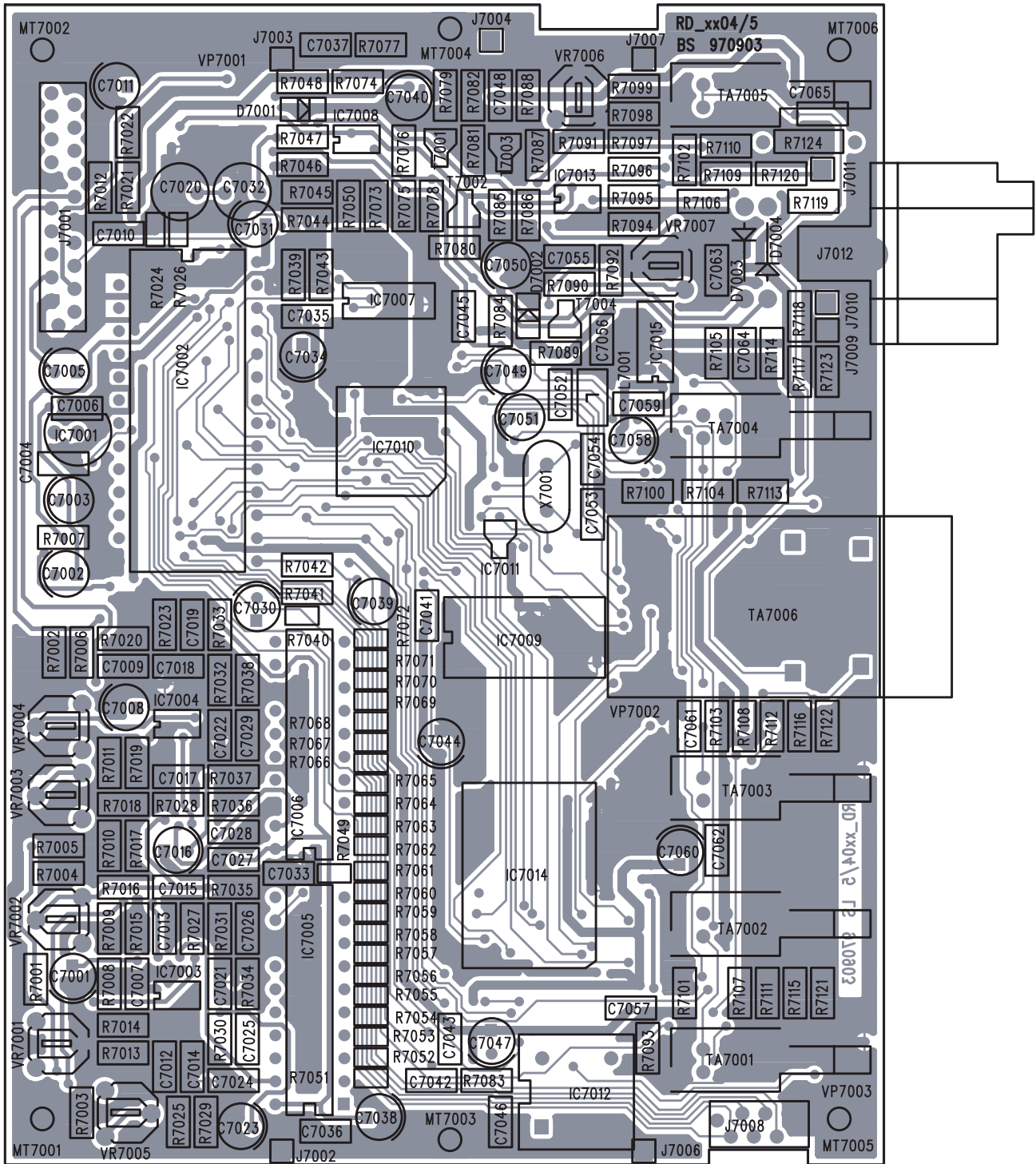


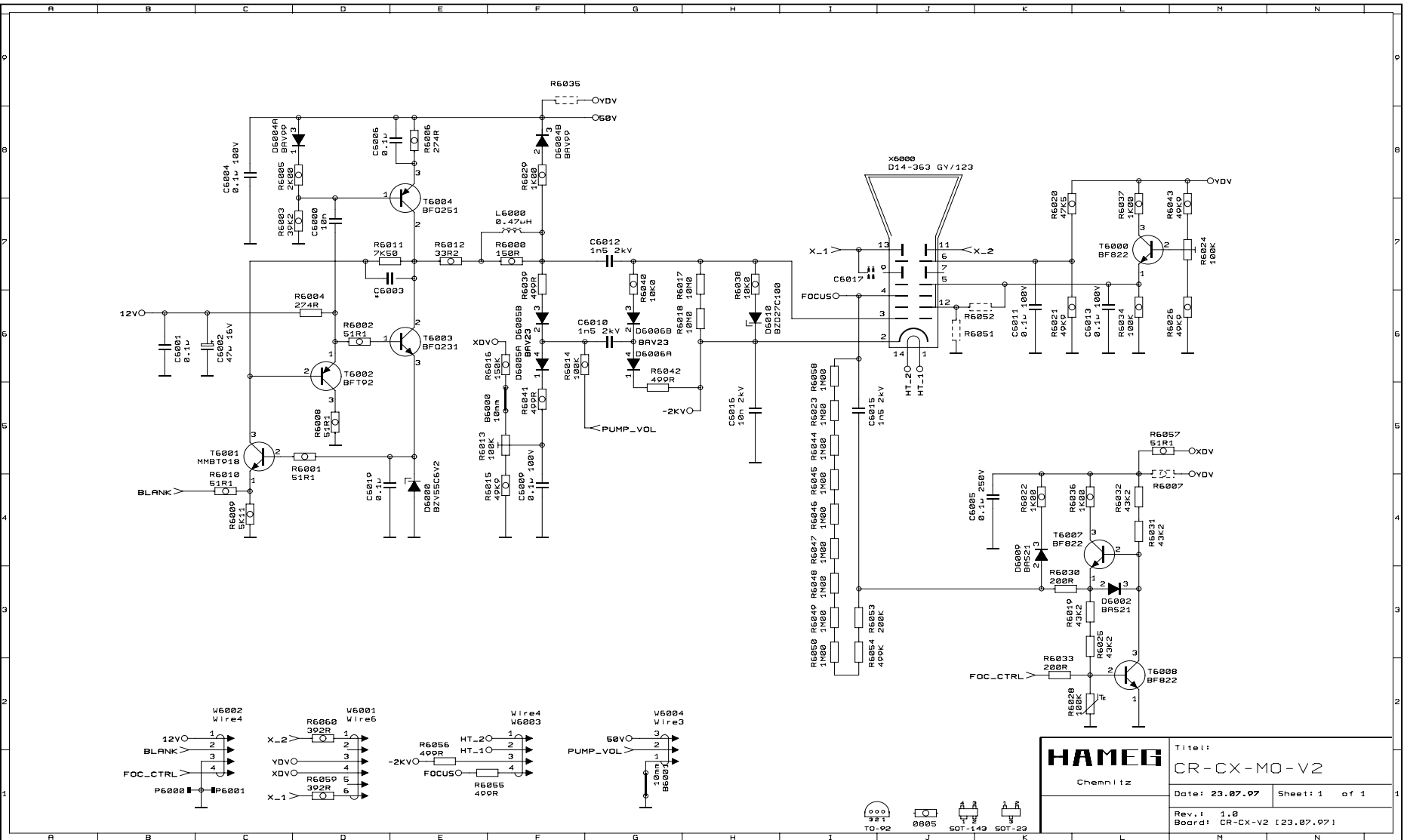




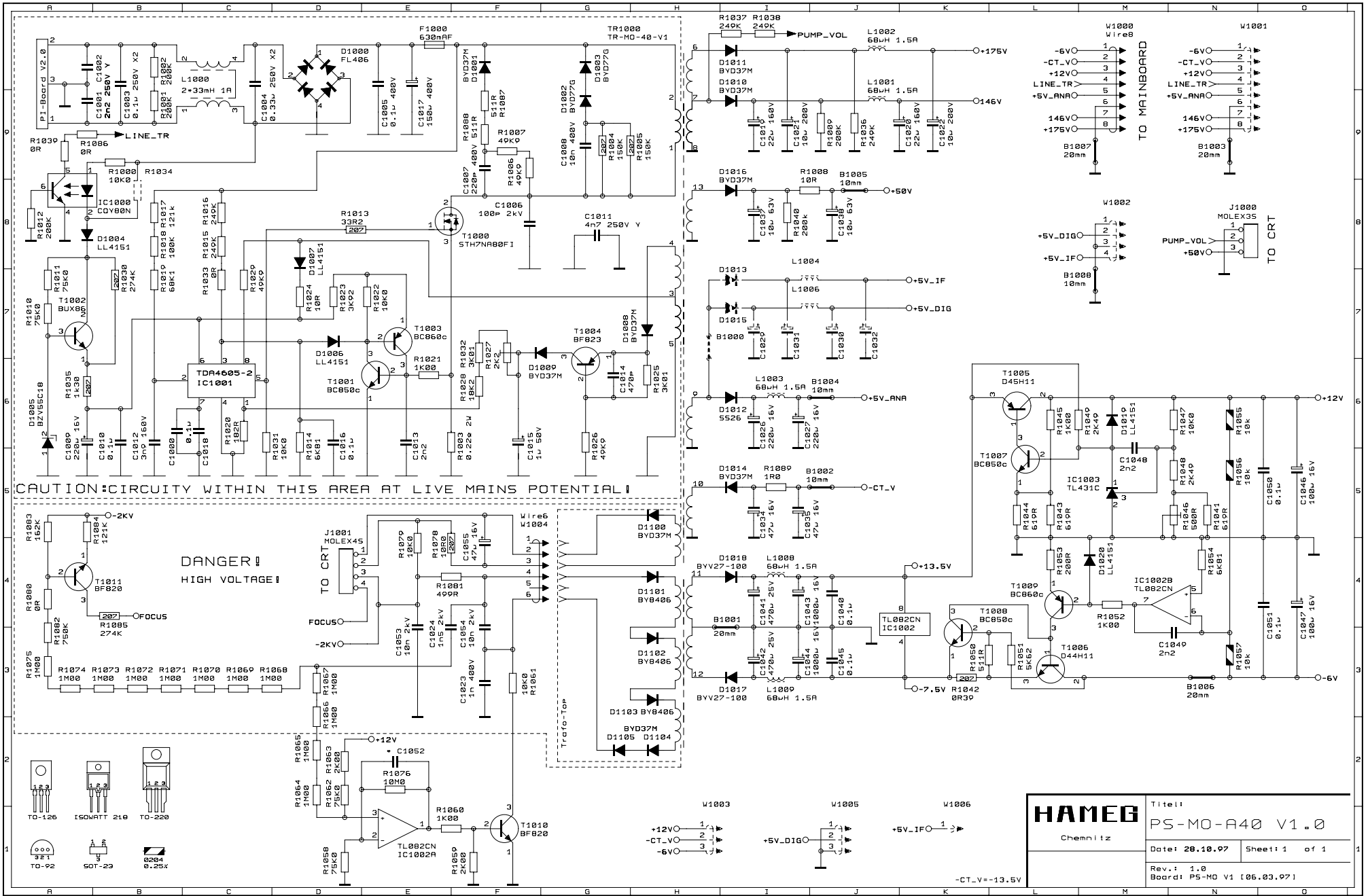






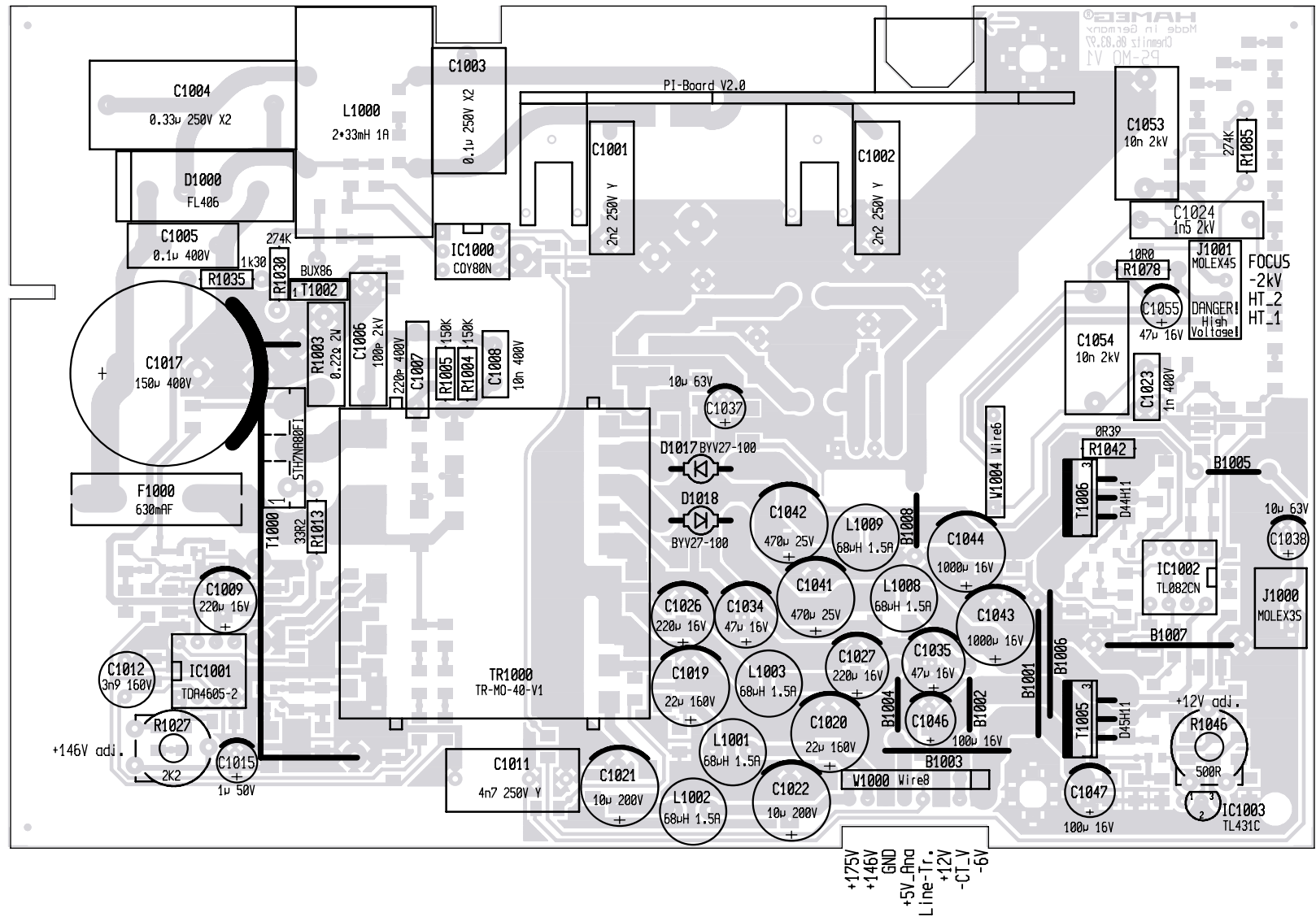




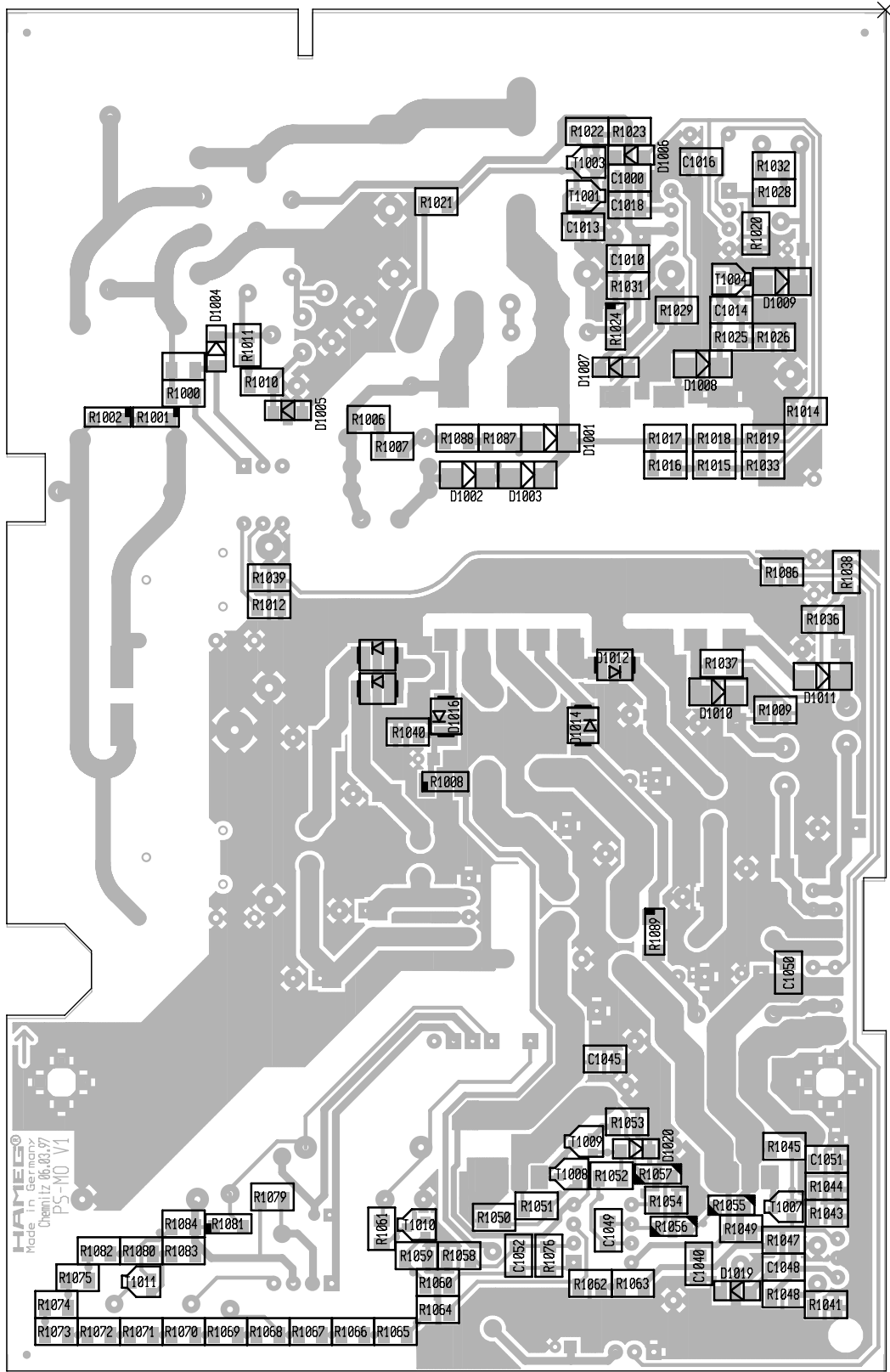


# PS-MO-A40

Variante 1.0  
28.10.97

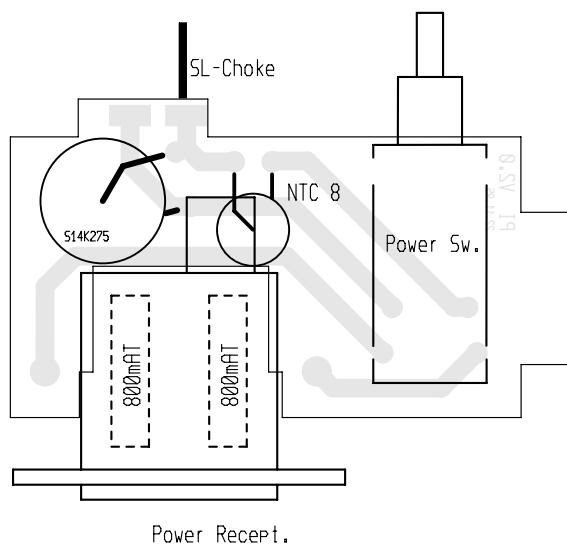
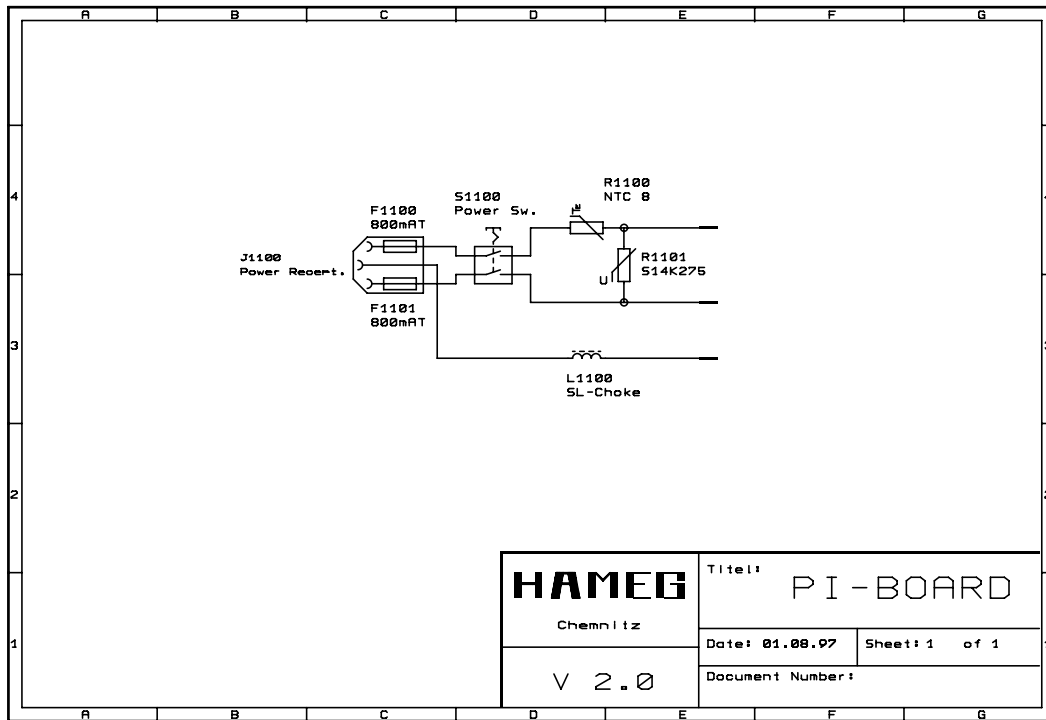


**PS-M0-A40**  
Variante 1.0  
28.10.97

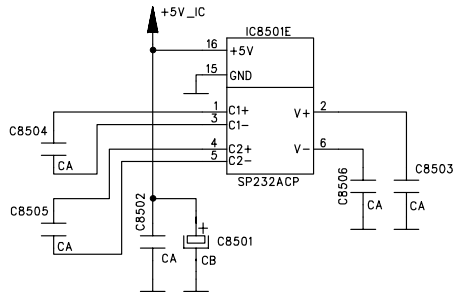
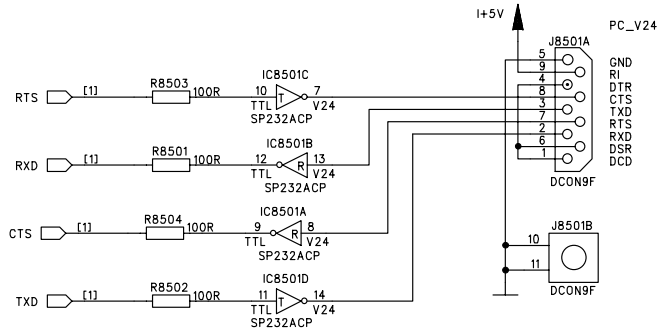
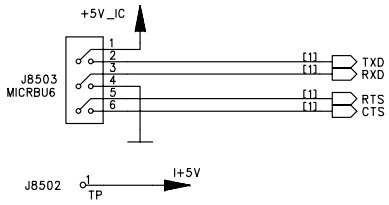




# PI board - Diagram and Top side







Aenderungen vorbehalten! / Subject to change without notice!

<b>HAMEG®</b>	RS232 - Adpater		Rev.: V6
	Datum: 30.01.1998		
	Date :		
	Blatt 1 von 1	Grebenstein	
CA = 100nF/63V CB = 10uF/16V	Sheet 1 of 1		

