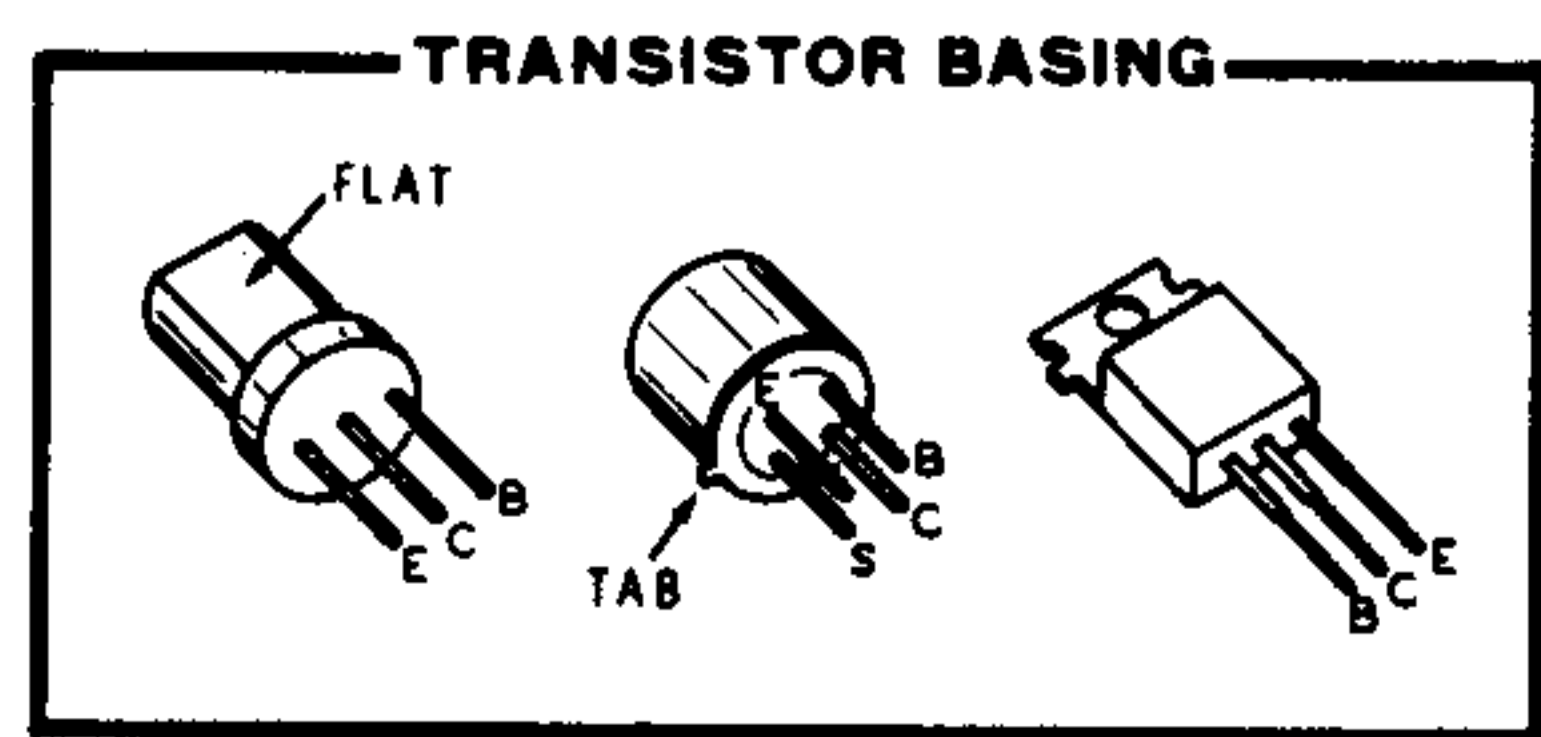


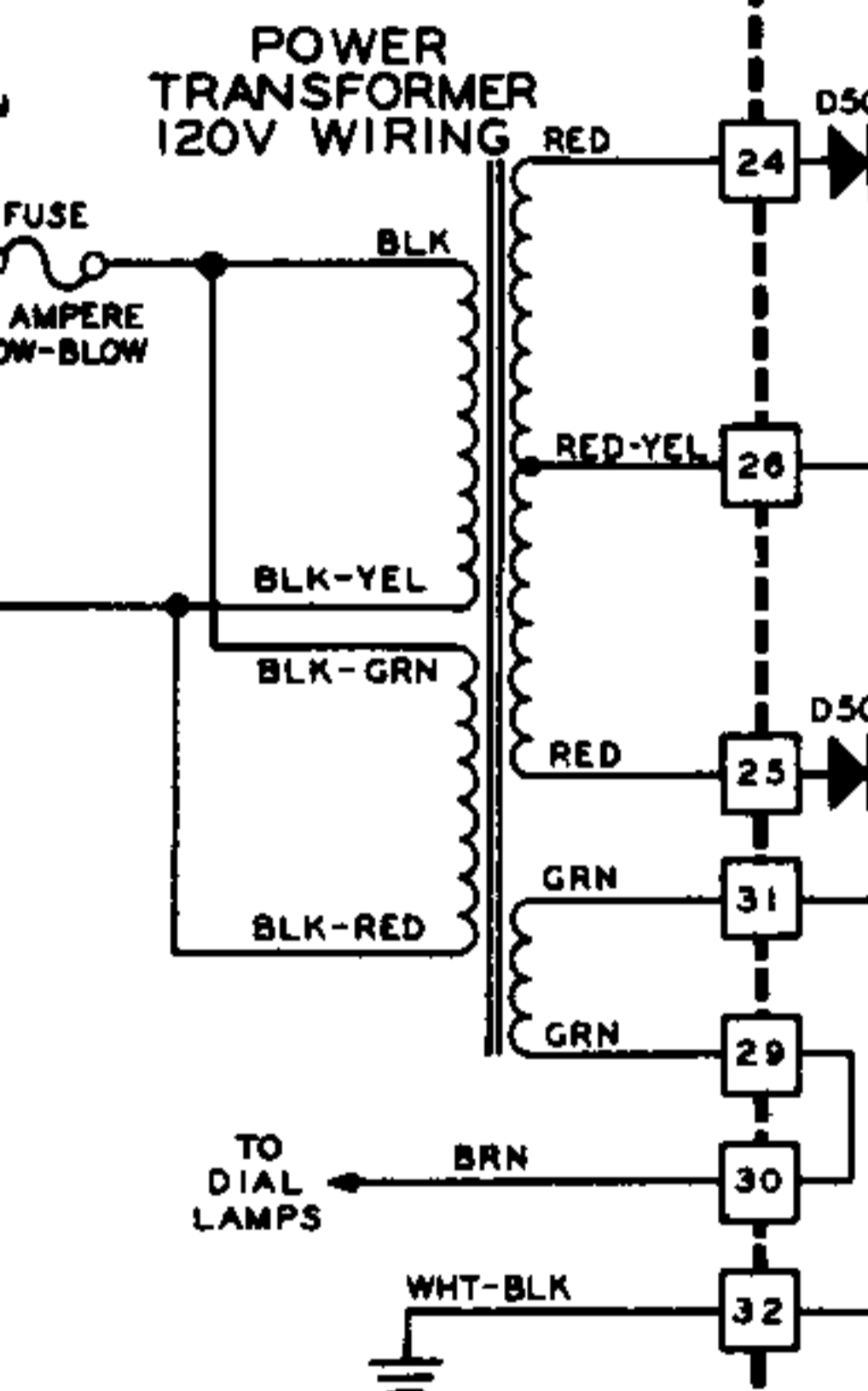
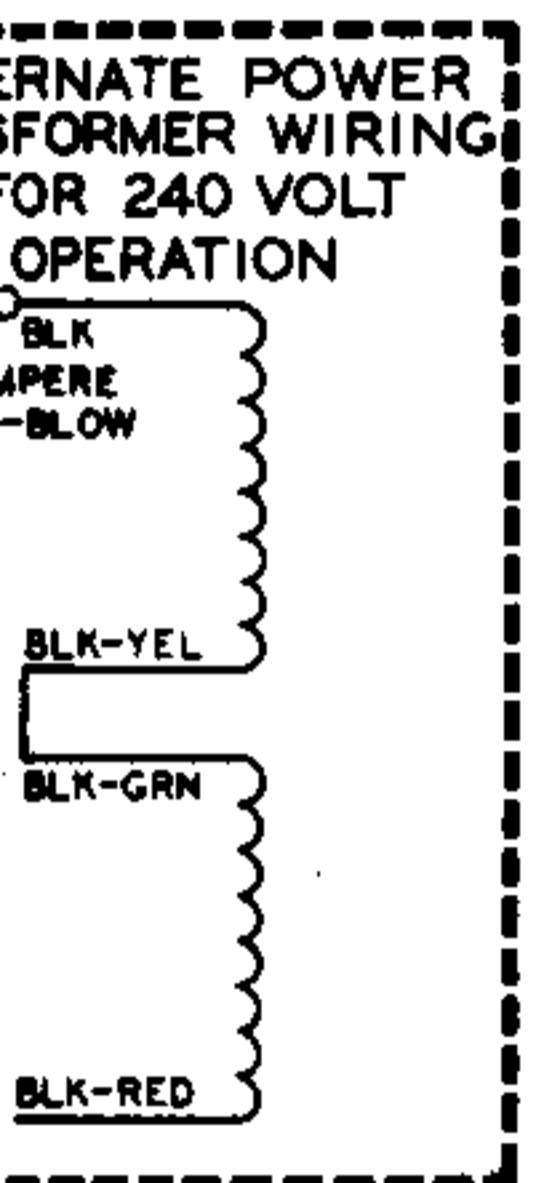
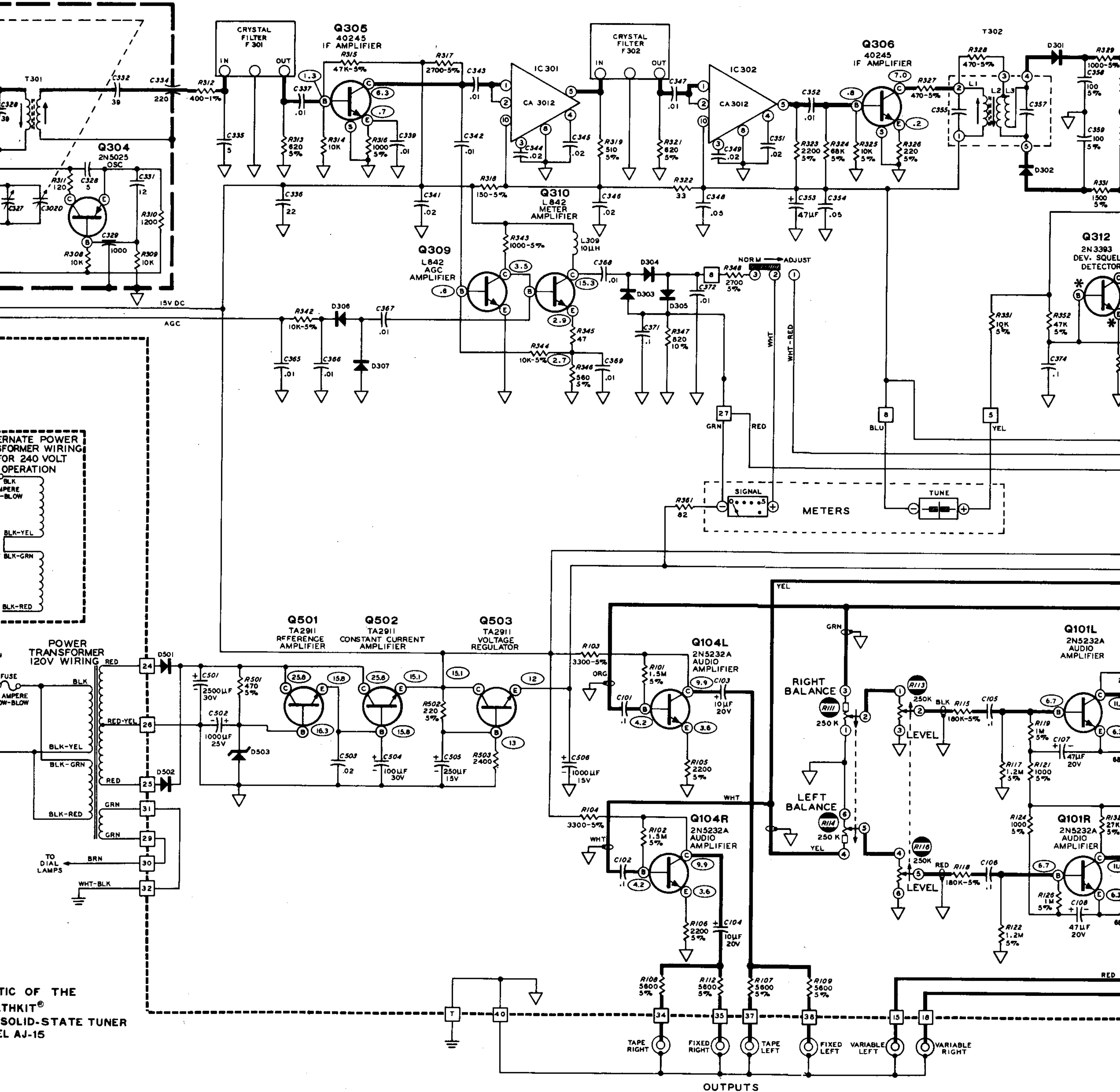
**NOTES**

- RESISTOR, CAPACITOR, AND COMPONENT NUMBERS ARE IN THE FOLLOWING GROUPS:  
 100-199 PARTS IN AUDIO CIRCUIT.  
 300-399 PARTS IN FM TUNER CIRCUIT.  
 400-499 PARTS IN MULTIPLEX CIRCUIT.  
 500-599 PARTS IN POWER SUPPLY CIRCUIT.
- REFER TO THE CHASSIS PHOTOGRAPH AND CIRCUIT BOARD X-RAY VIEWS FOR THE PHYSICAL LOCATION OF PARTS.
- RESISTORS, CAPACITORS, AND COMPONENTS IN THE AUDIO CIRCUIT (100-199) ARE DIVIDED AS FOLLOWS:  
 ODD NUMBERS ARE IN THE LEFT CHANNEL  
 EVEN NUMBERS ARE IN THE RIGHT CHANNEL
- ALL RESISTORS ARE 1/2 WATT UNLESS MARKED OTHERWISE. RESISTOR VALUES ARE IN OHMS (K=1000, M=1,000,000).
- CAPACITOR VALUES LESS THAN 1 ARE IN  $\mu$ F. VALUES OF 1 AND ABOVE ARE IN PF-(PICOFARADS) UNLESS MARKED OTHERWISE.
- SOURCE SWITCH IS SHOWN IN FULL COUNTERCLOCKWISE POSITION AS VIEWED FROM KNOB END OF THE SHAFT.
- ARROWS ON CONTROLS SHOW CLOCKWISE ROTATION, VIEWED FROM KNOB END OF THE SHAFT.
- ( ) INDICATES A COLOR CODED SHIELDED CABLE.
- THIS SYMBOL INDICATES THE NUMBER CONNECTIONS ON THE CIRCUIT BOARDS.
- DC VOLTAGE MEASUREMENTS ARE TAKEN WITH AN 11 MEGOHM INPUT VOLTMETER, FROM THE POINT INDICATED TO CHASSIS GROUND. VOLTAGES MAY VARY  $\pm 20\%$ . LINE VOLTAGE 120 VAC.
- ( $\downarrow$ ) THIS SYMBOL DENOTES THE GROUND FOIL OF A CIRCUIT BOARD. ( $\equiv$ ) THIS SYMBOL DENOTES THE CHASSIS GROUND.)
- THIS SYMBOL INDICATES A POSITIVE DC VOLTAGE MEASUREMENT, TAKEN UNDER THE FOLLOWING CONDITIONS:  
 SOURCE SWITCH..... MONO  
 SQUELCH CONTROL..... FULLY COUNTER CLOCKWISE  
 STEREO THRESHOLD..... MINIMUM  
 ANTENNA NOT CONNECTED
- THIS SYMBOL AROUND A PART NUMBER INDICATES THAT THIS PART IS MOUNTED ON THE CHASSIS. EVEN WHEN ITS POSITION ON THE SCHEMATIC SUGGESTS ANOTHER LOCATION.
- \* AN ASTERISK INDICATES THAT A VOLTAGE MEASUREMENT CAN BE MADE UNDER CONDITIONS OTHER THAN THOSE INDICATED BY ( ). SEE THE CIRCUIT BOARD VOLTAGE X-RAY VIEWS FOR THESE CONDITIONS AND VOLTAGES.

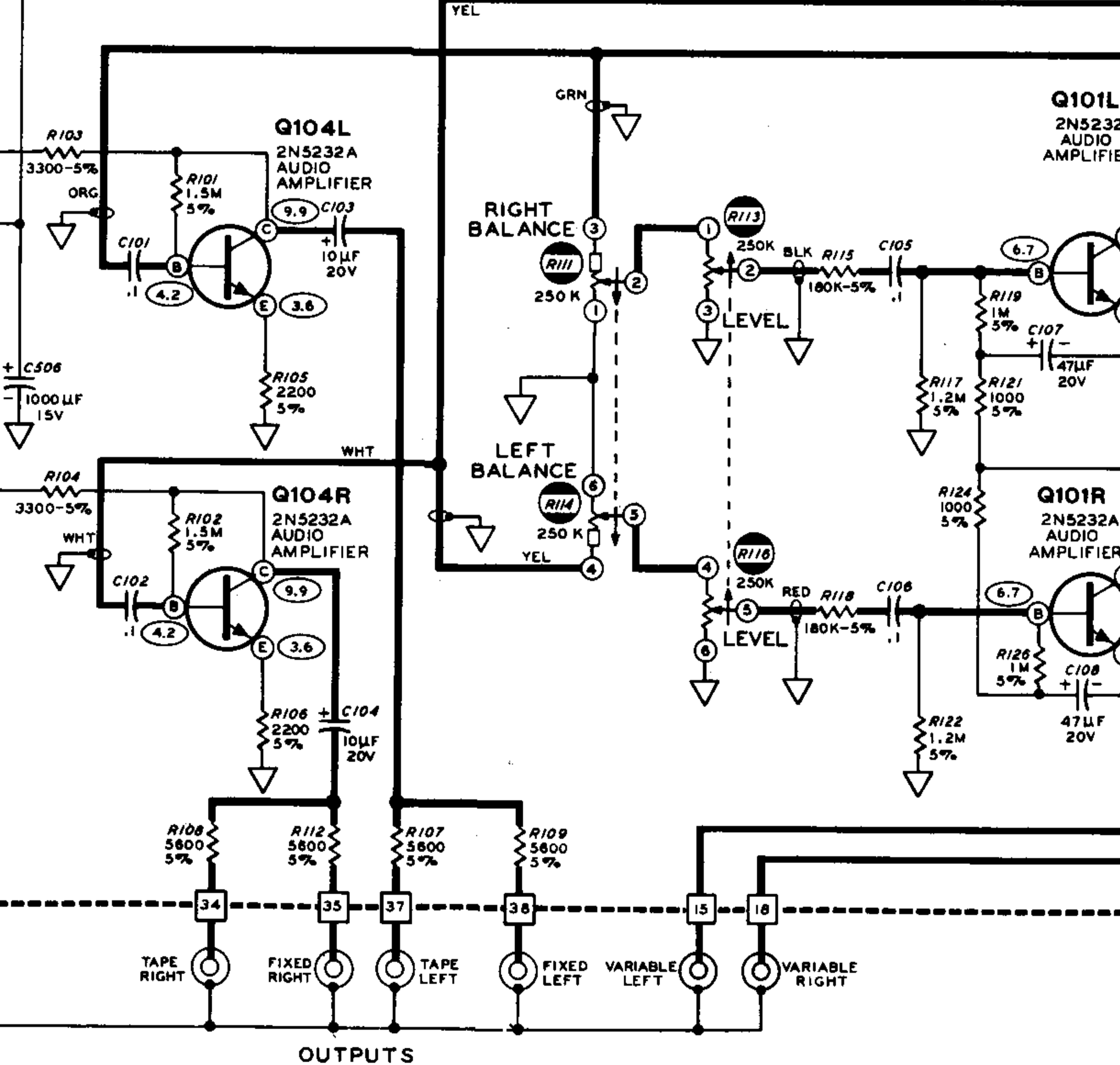
**SCHEMATIC OF THE HEATHKIT® FM-FM STEREO SOLID-STATE TUNER MODEL AJ-15**

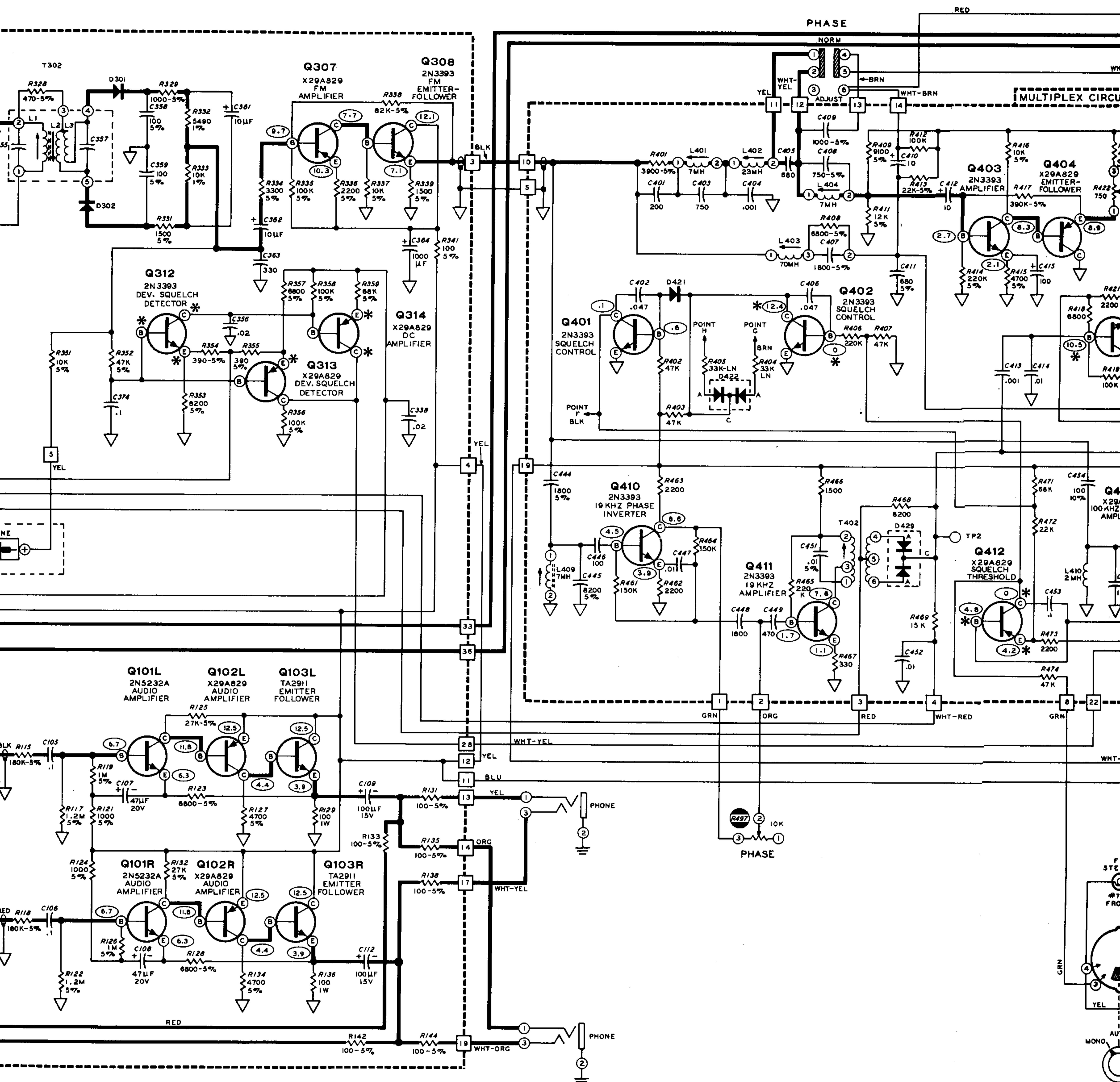


FM CIRCUIT BOARD



DESCRIPTION OF THE KIT  
SOLID-STATE TUNER  
MODEL AJ-15





VARIABLE  
RIGHT

SELE  
SWI

