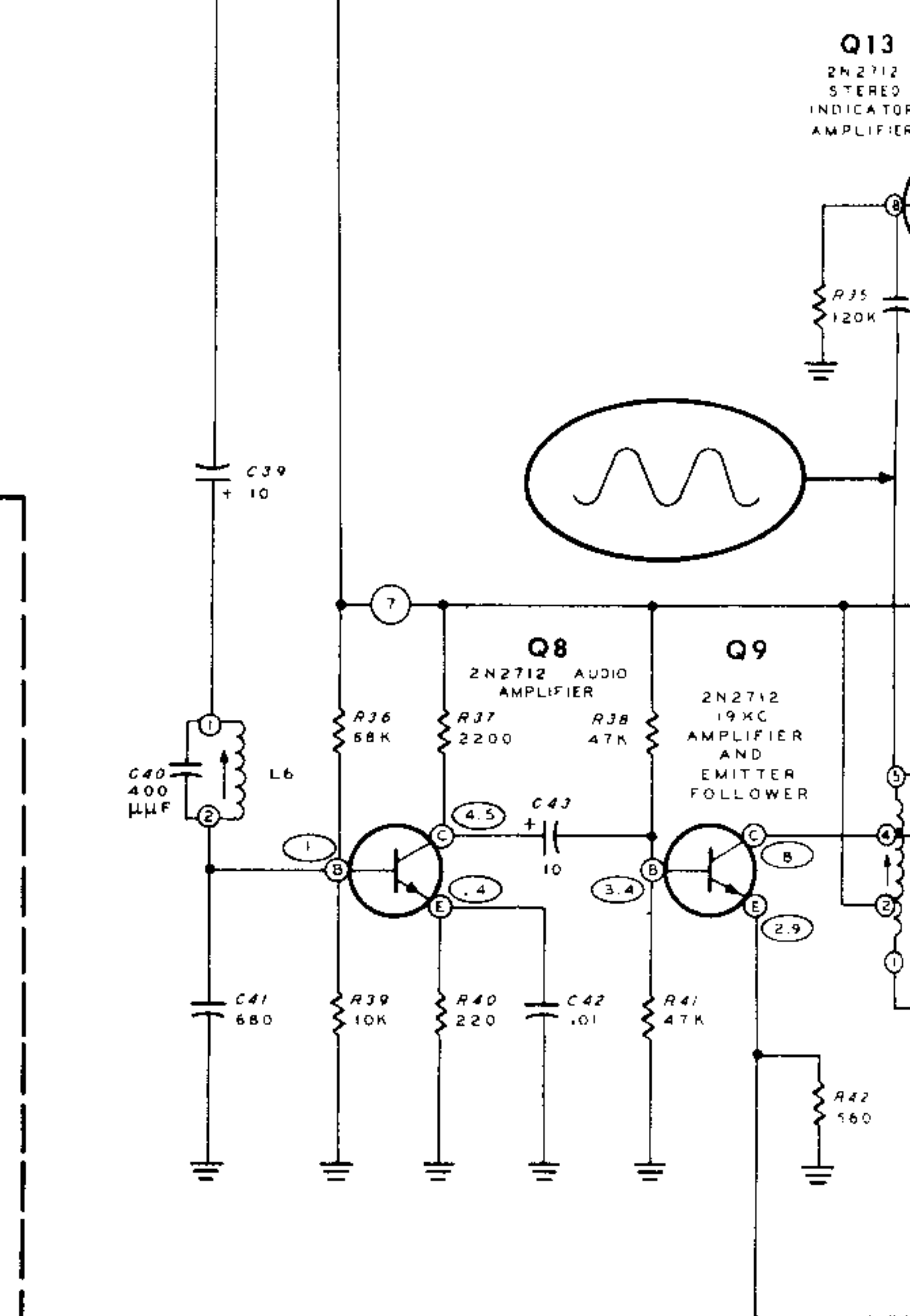
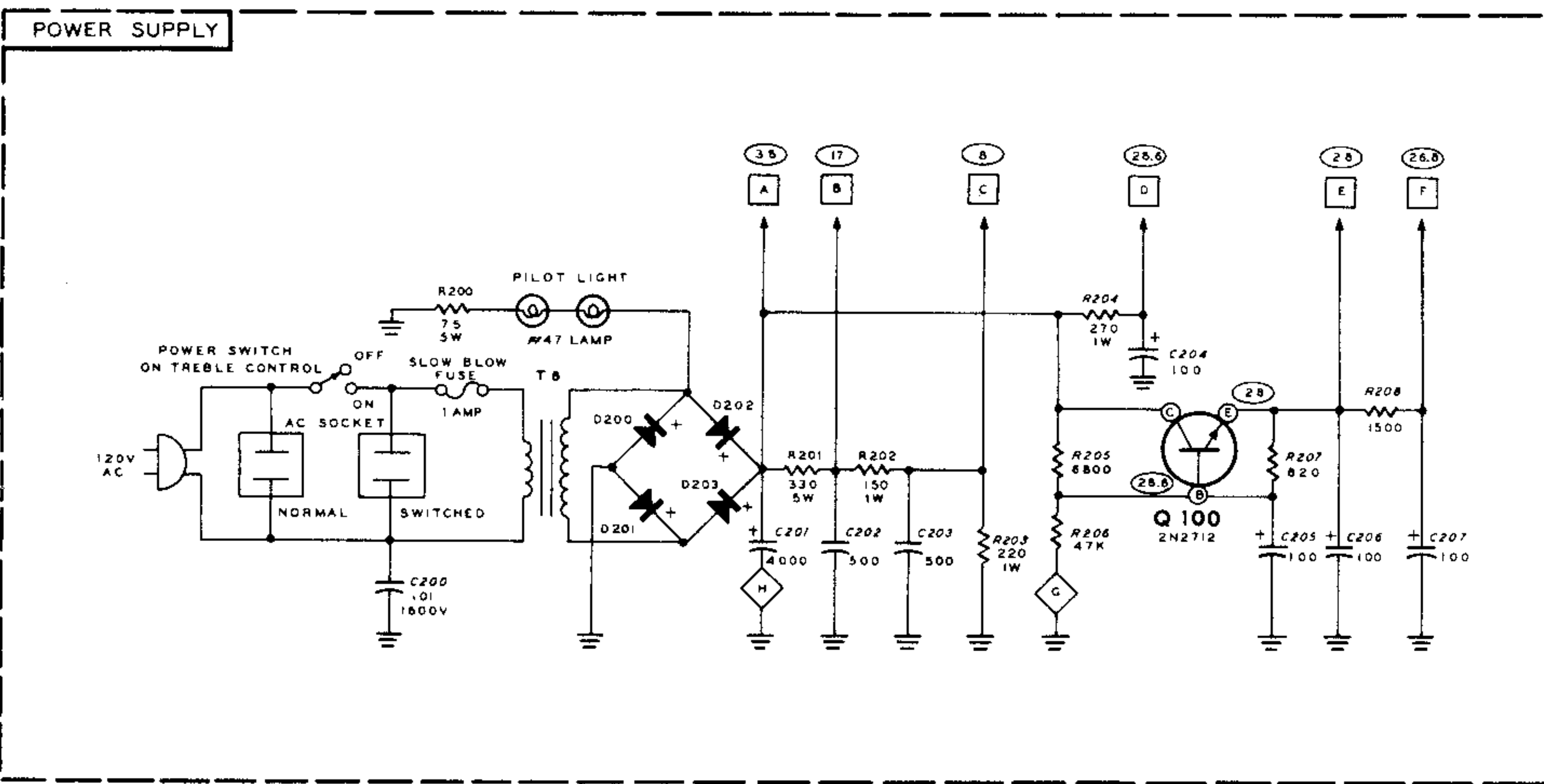
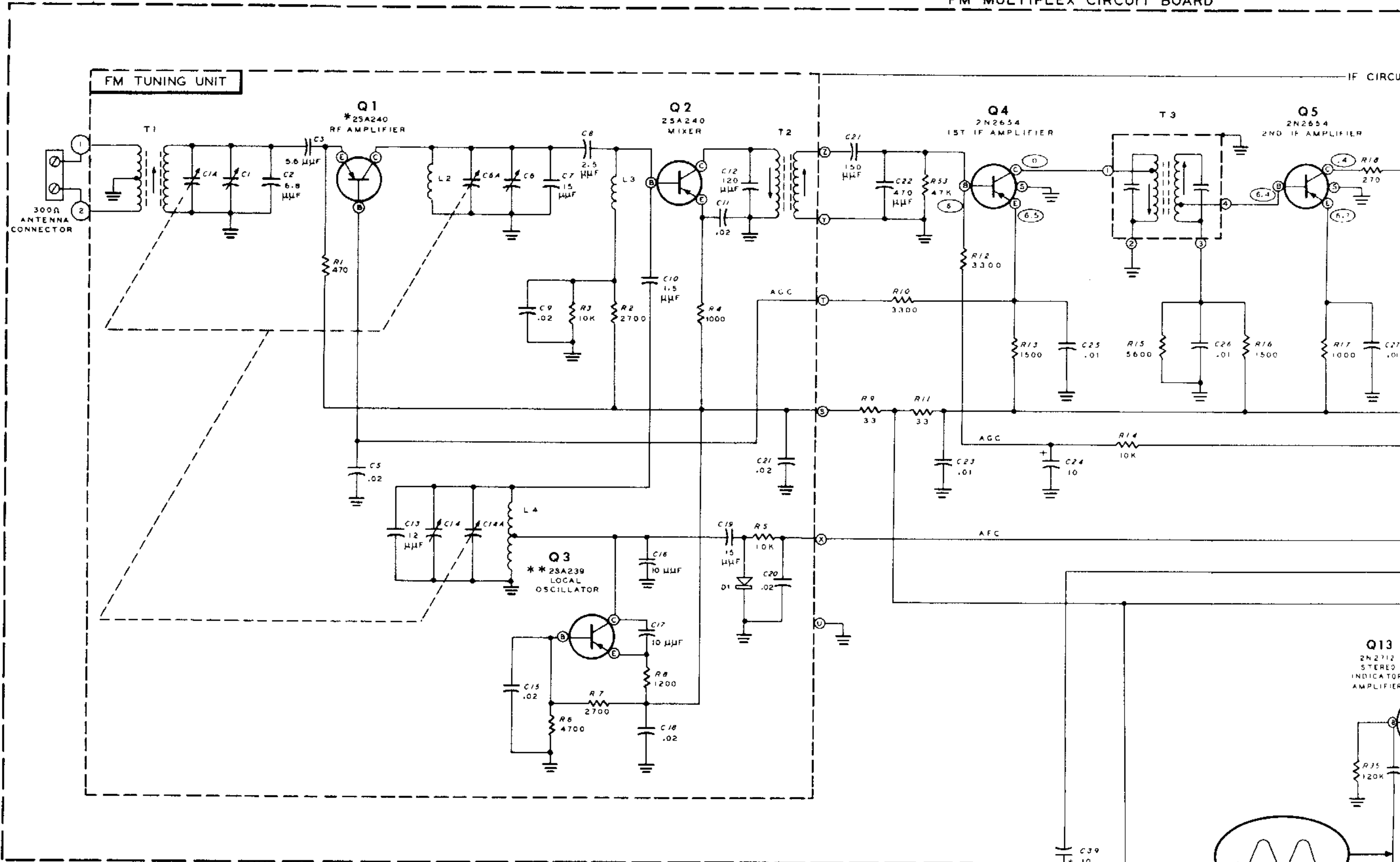
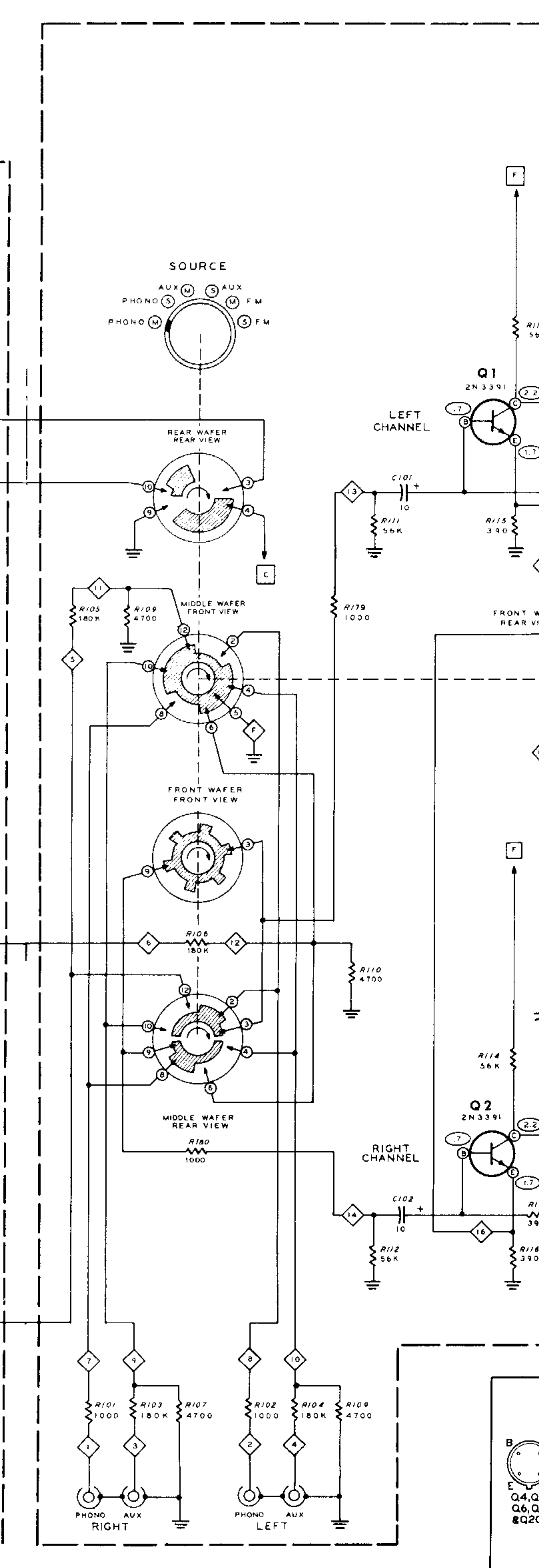
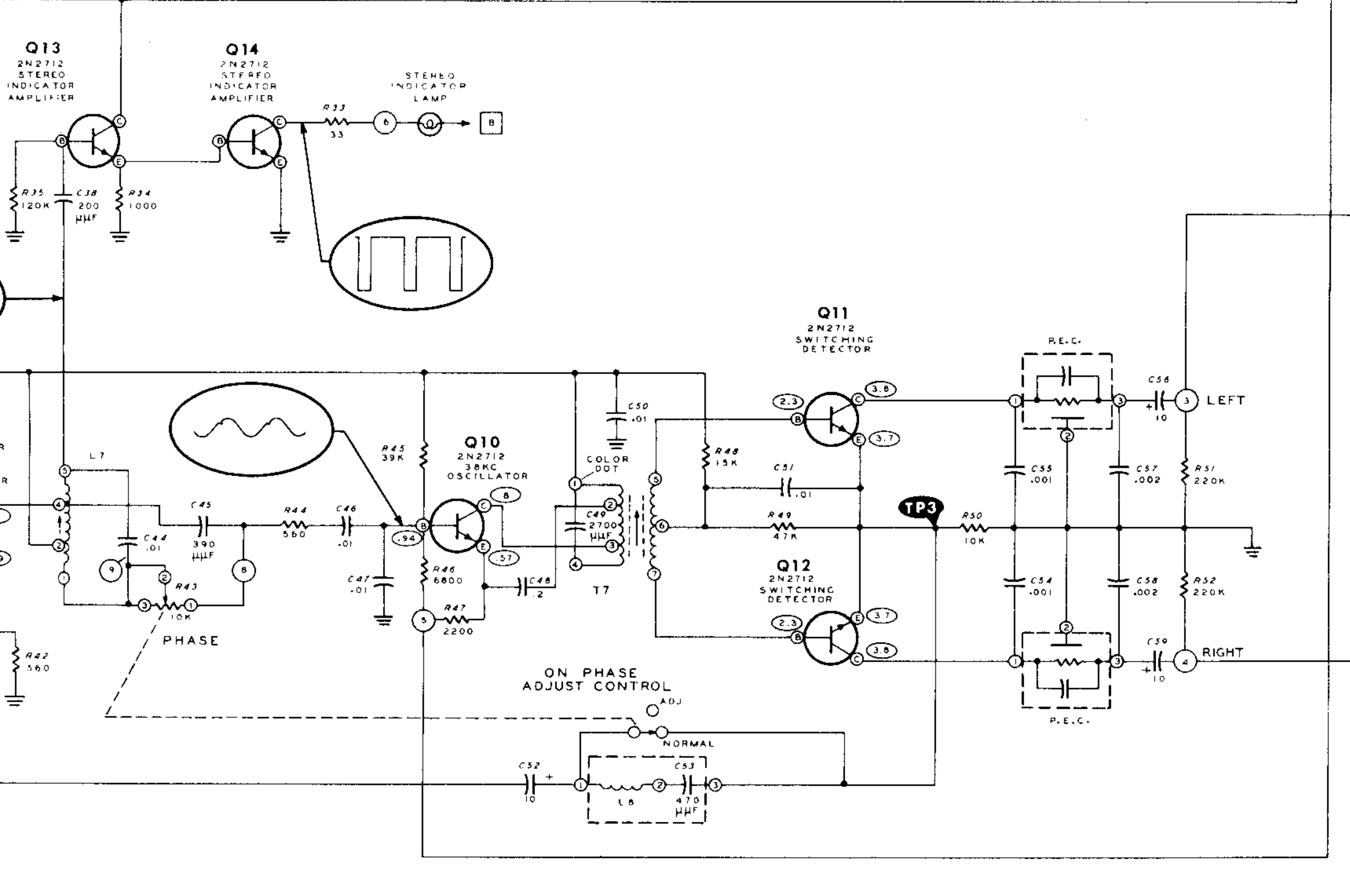
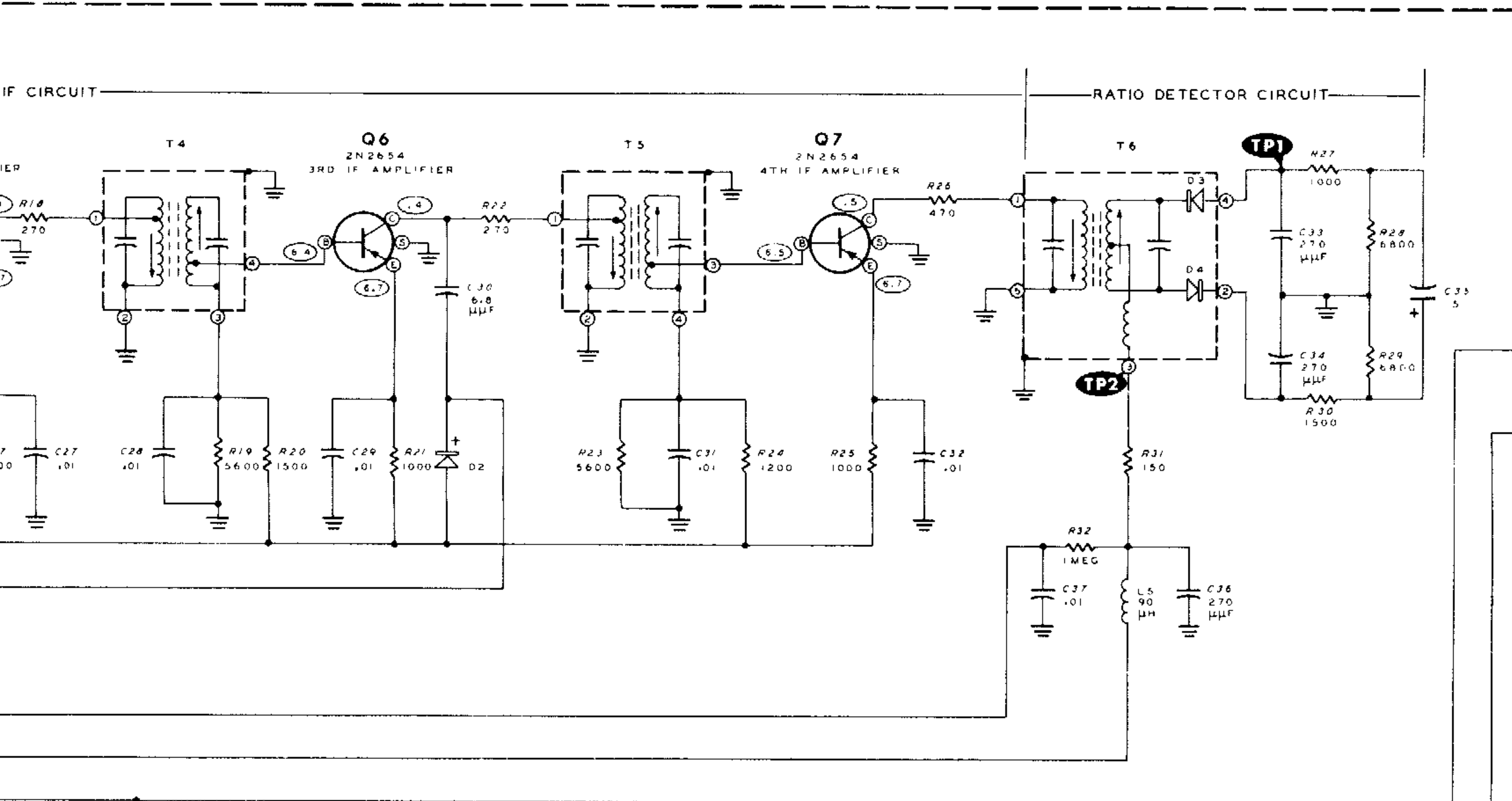
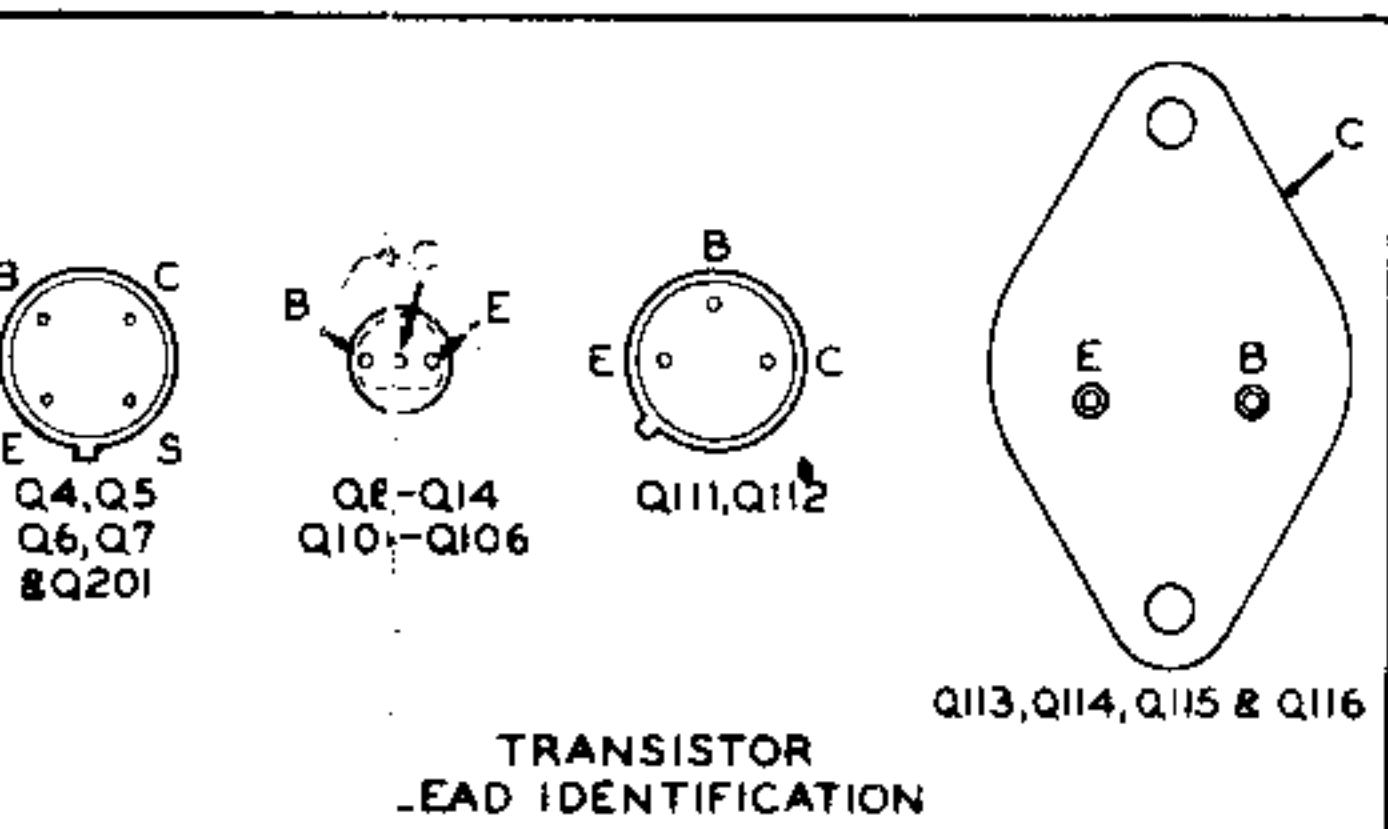
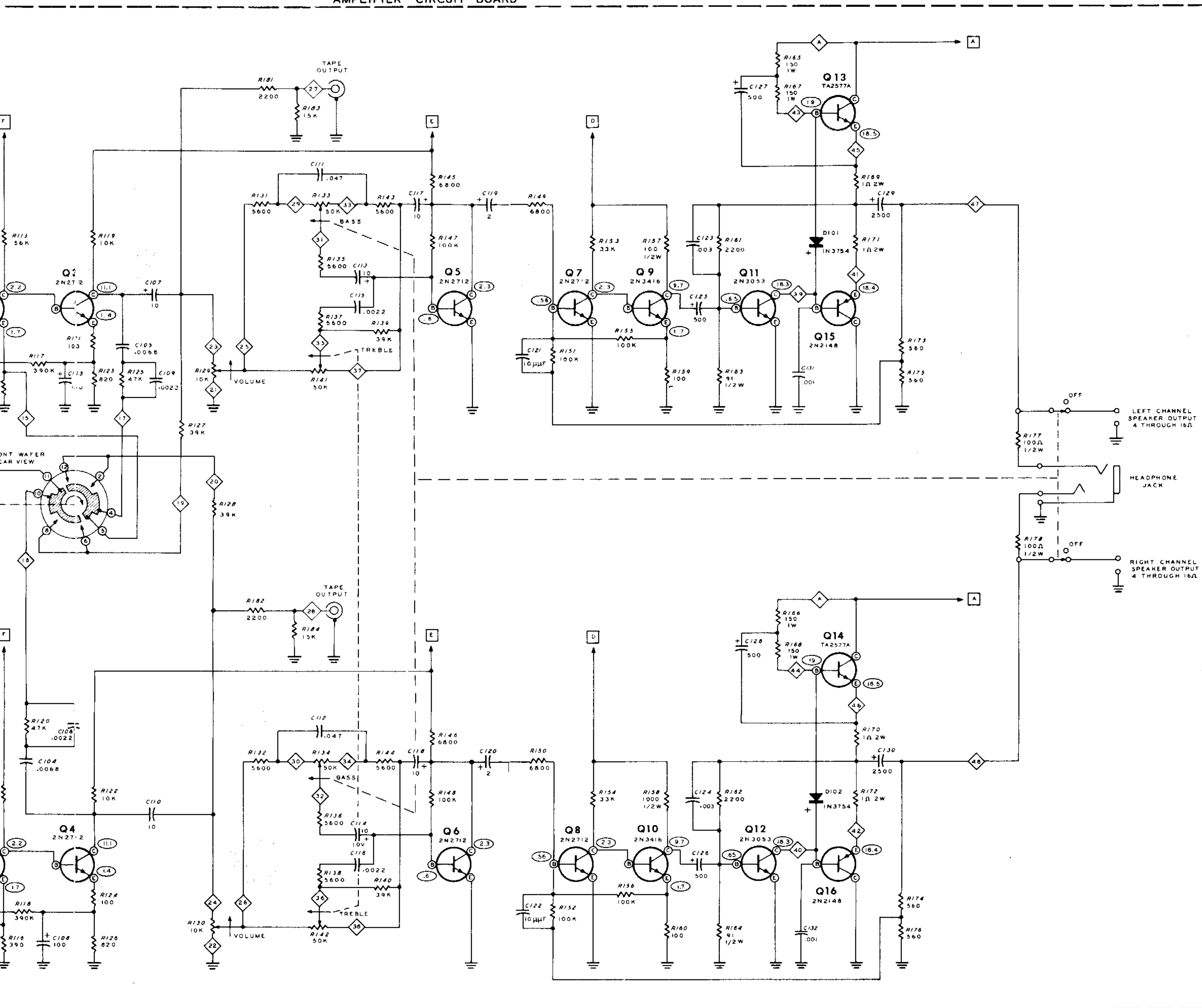


FM MULTIPLEX CIRCUIT BOARD





AMPLIFIER CIRCUIT BOARD



SCHMATIC OF THE HEATHKIT® SOLID STATE FM RECEIVER MODEL AR-14

NOTES:

- RESISTOR AND CAPACITOR NUMBERS ARE IN THE FOLLOWING GROUPS:
 0 - 99 NUMBERS IN THE FM TUNER SECTION.
 100 - 199 ODD NUMBERS INDICATE LEFT CHANNEL COMPONENTS, EVEN NUMBERS INDICATE RIGHT CHANNEL COMPONENTS.
 200 - 299 PARTS IN THE POWER SUPPLY.
- ALL RESISTORS ARE 1/4 WATT UNLESS MARKED OTHERWISE. RESISTOR VALUES ARE IN OHMS: K = 1000, MEG = 1,000,000.
- ALL CAPACITOR VALUES ARE IN μ F UNLESS MARKED OTHERWISE.
- THIS SYMBOL INDICATES A POSITIVE DC VOLTAGE MEASUREMENT, TAKEN WITH AN 11 MEGOHM VTVM FROM THE POINT INDICATED TO CHASSIS GROUND. VOLTAGES MAY VARY $\pm 20\%$.
- INDICATES B- VOLTAGE POINTS.
- INDICATES CONNECTING POINTS ON AMPLIFIER CIRCUIT BOARD.
- INDICATES CONNECTING POINTS ON FM TUNER CIRCUIT BOARD.
- SOURCE SWITCH SHOWN IN FULL COUNTERCLOCKWISE POSITION AS VIEWED FROM THE FRONT.
- REFER TO THE CIRCUIT BOARD X-RAY VIEWS FOR THE PHYSICAL LOCATION OF PARTS.
- INDICATES CW ROTATION.
- MEASUREMENTS MADE WITHOUT ANTENNA CONNECTED, SWITCH S2 AT STEREO POSITION, AND PHASE SWITCH PUSHED IN.
- INDICATES TEST POINTS.
- Q1 MAY BE A 25A163 OR 25A435 TRANSISTOR.
 Q3 MAY BE A 25A235 TRANSISTOR.
 2N2712 TRANSISTORS: Q8 THROUGH Q13 HAVE AN ORANGE DOT AND Q14 HAS A BLUE DOT.