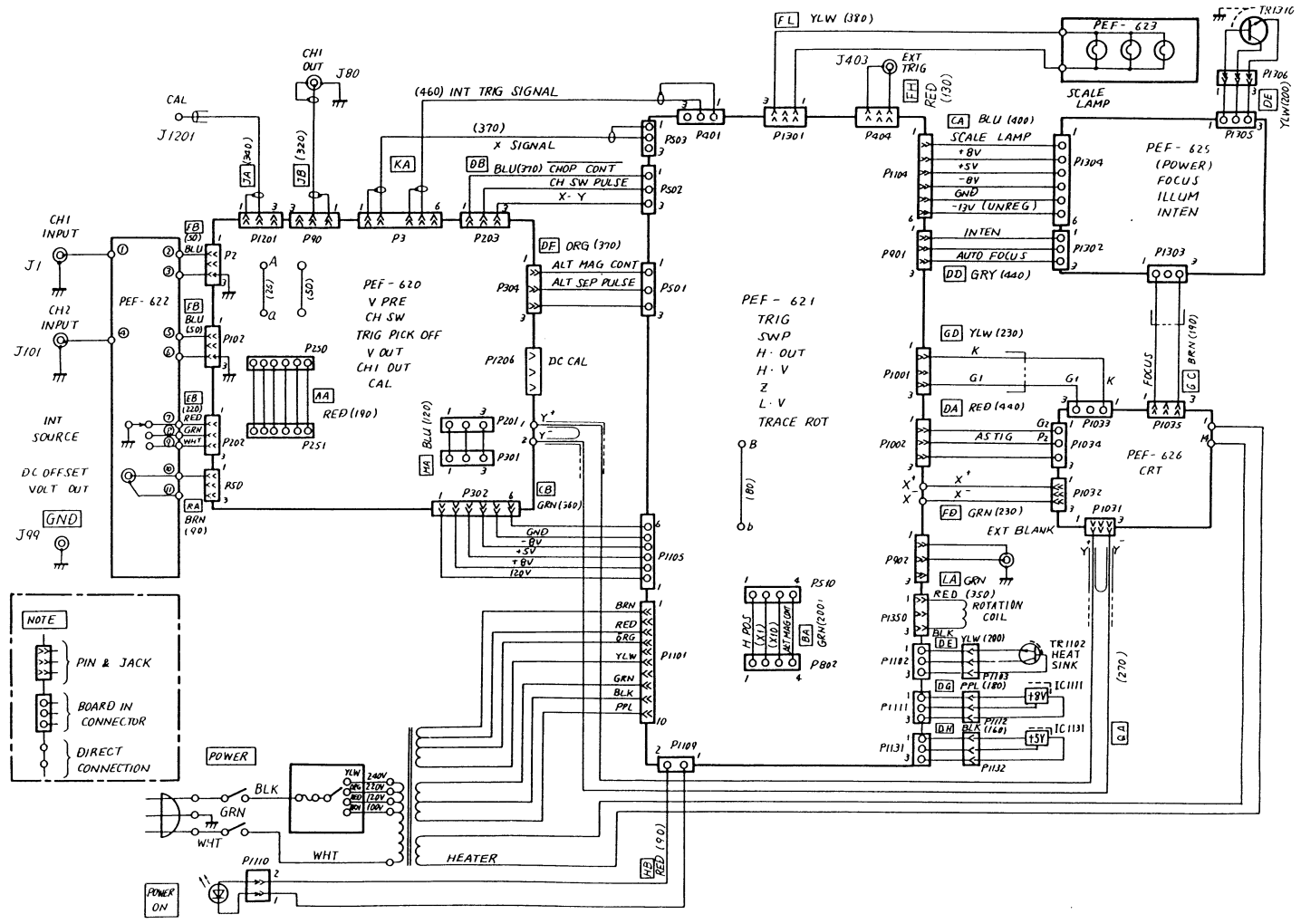
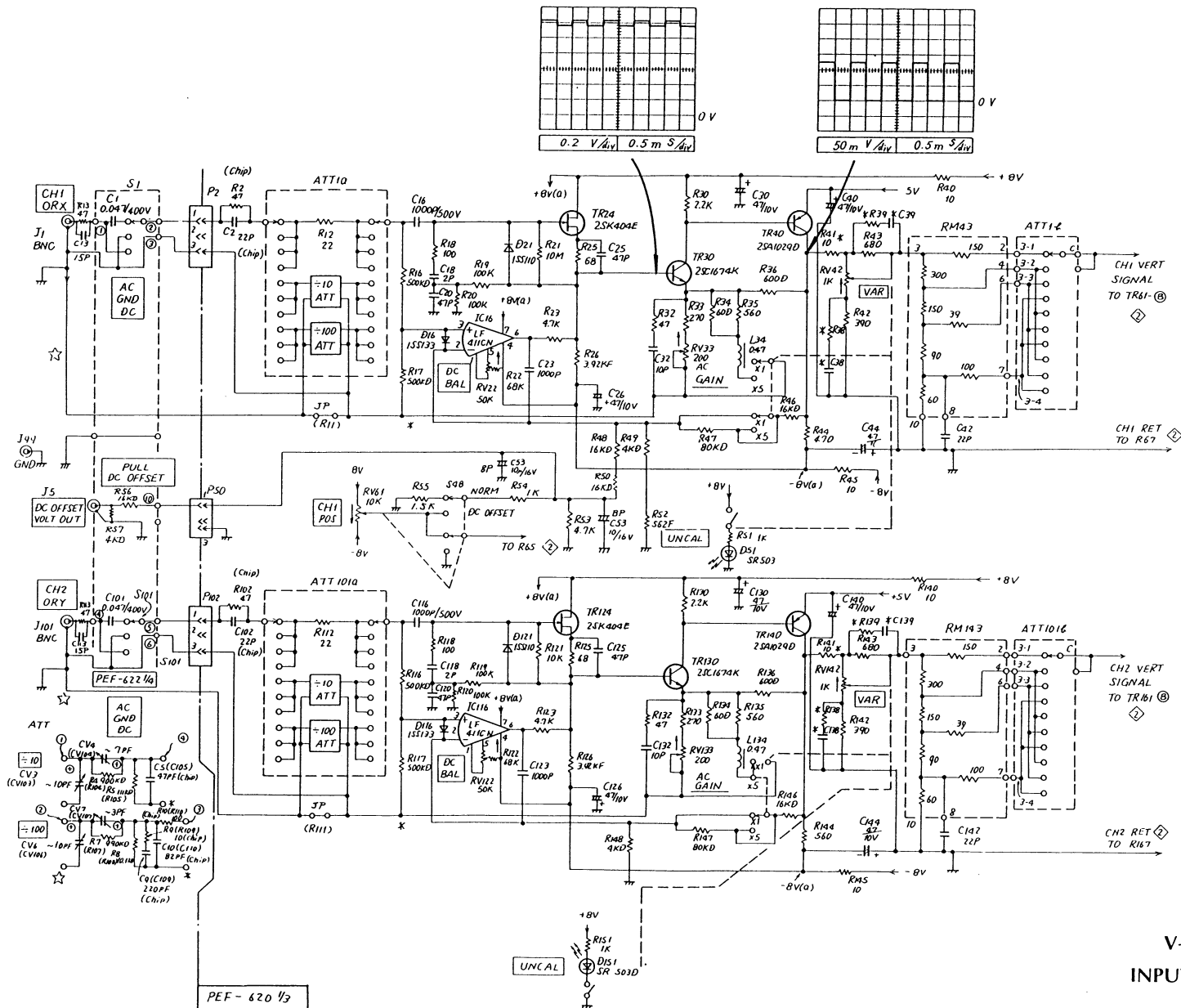


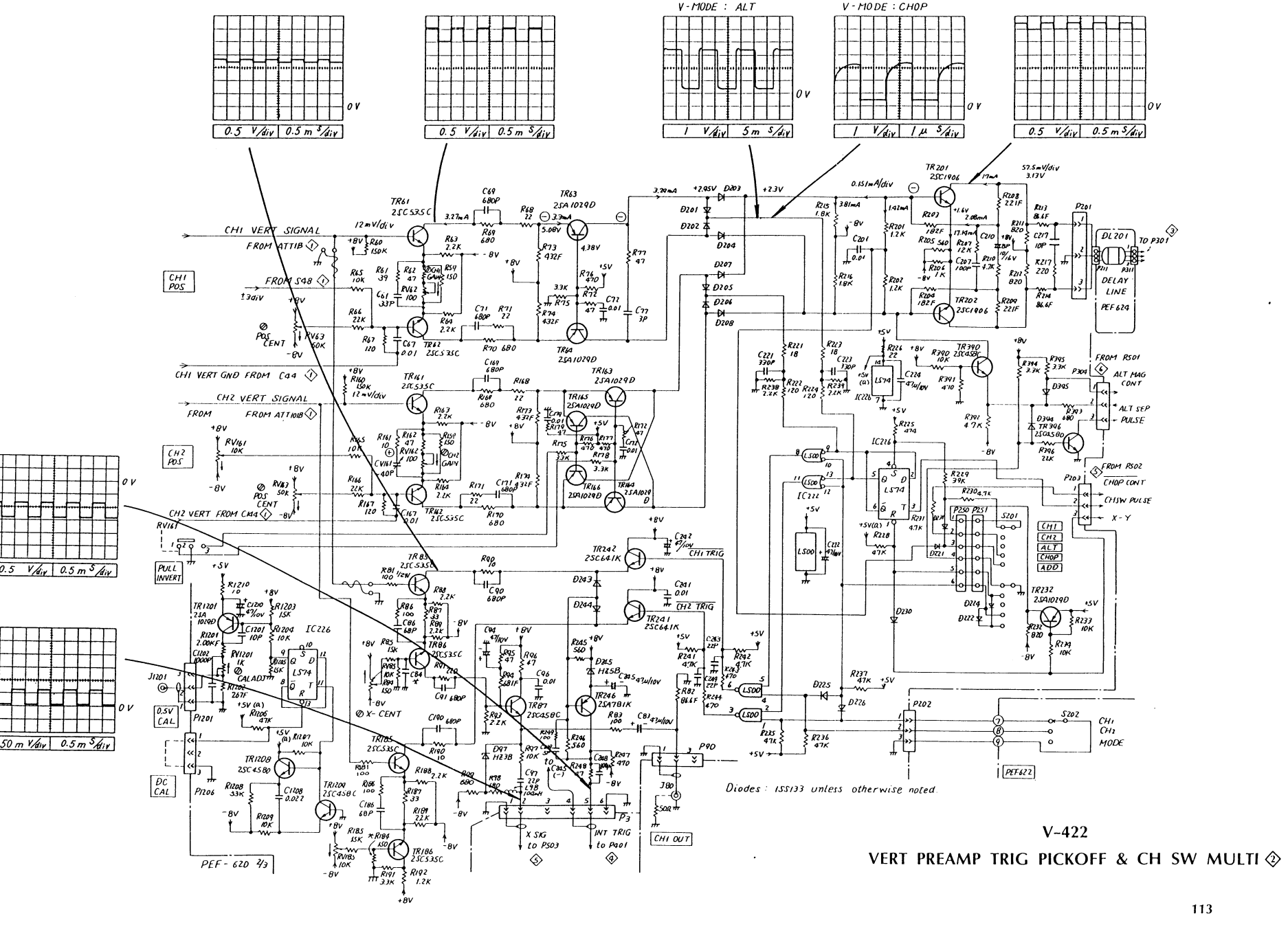
V-222
RV/LAMP



V-222
WIRING DIAGRAM

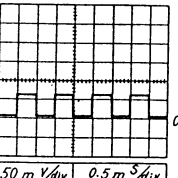
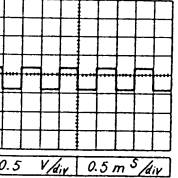
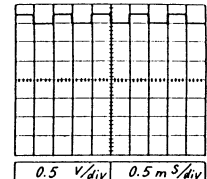
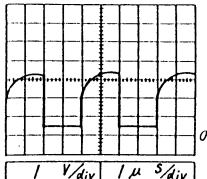
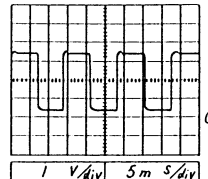
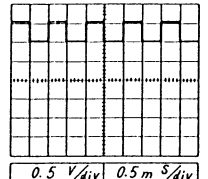
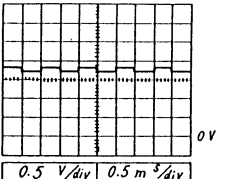


V-422
INPUT AMP



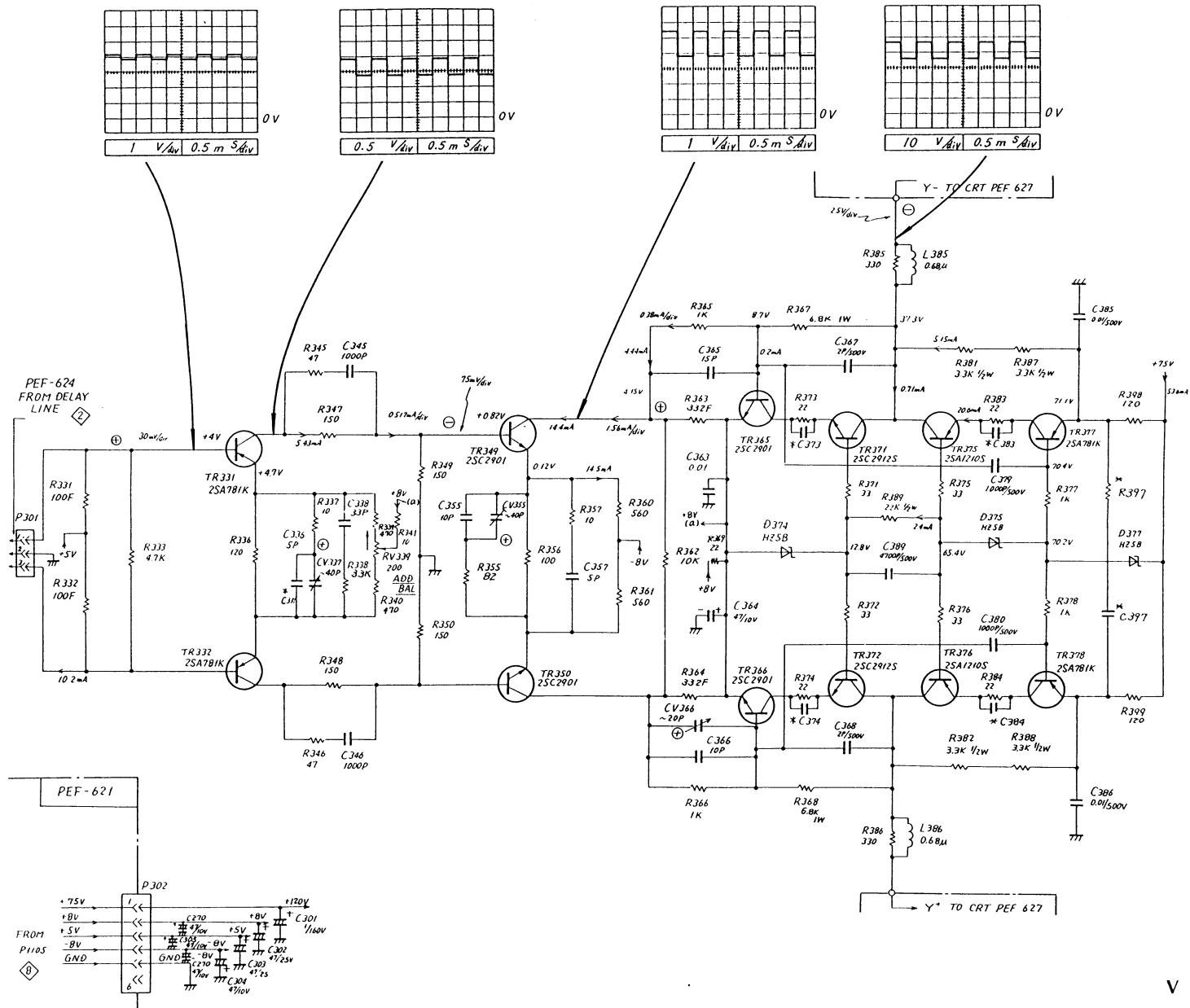
V-MODE : ALT

V-MODE : CHOP

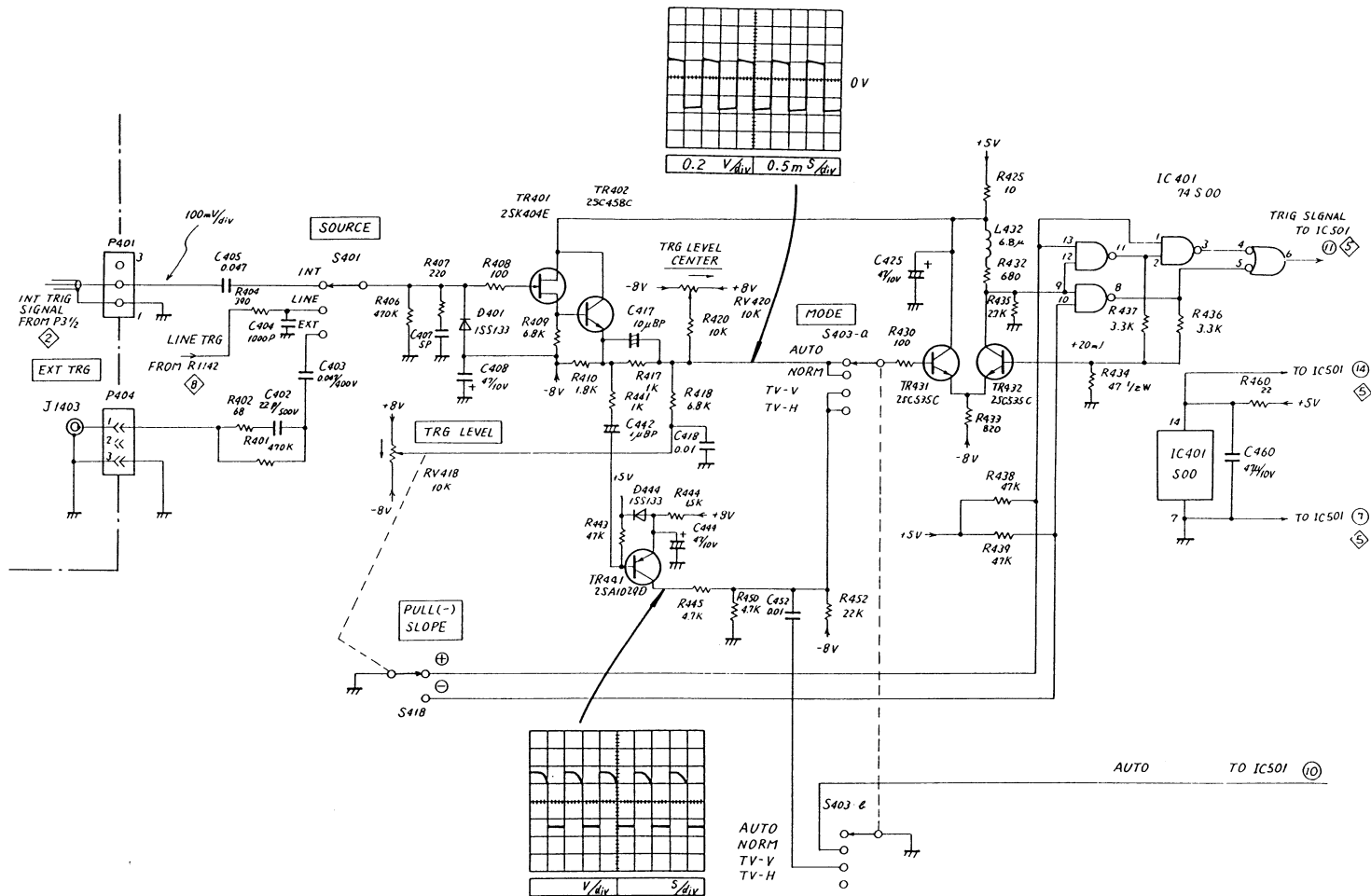


V-422

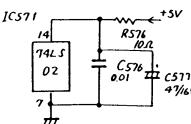
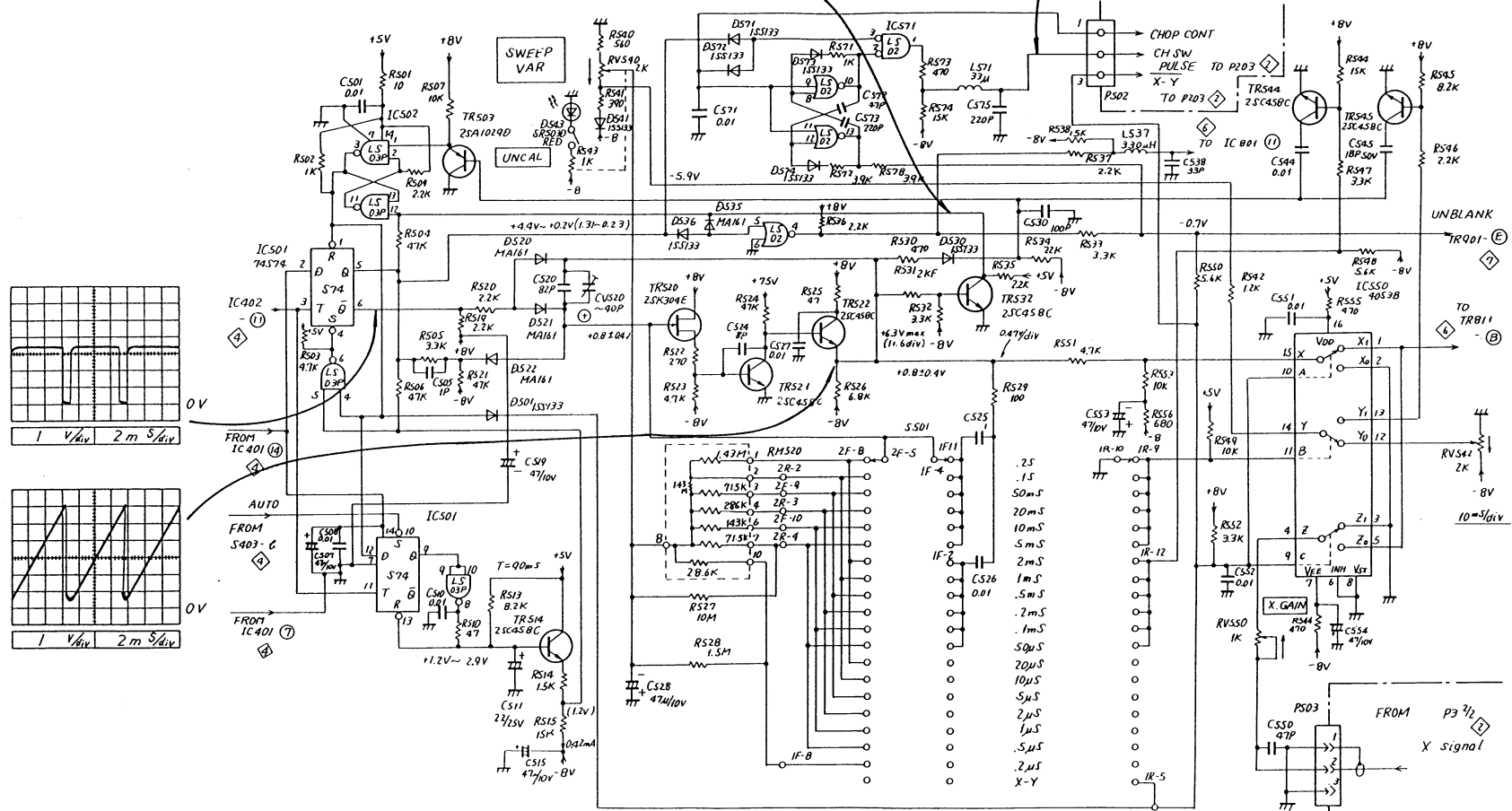
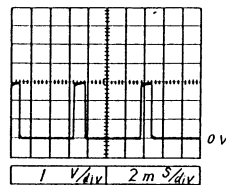
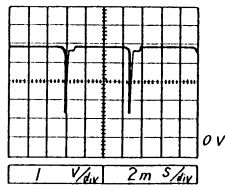
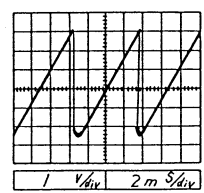
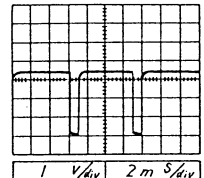
VERT PREAMP TRIG PICKOFF & CH SW MULTI



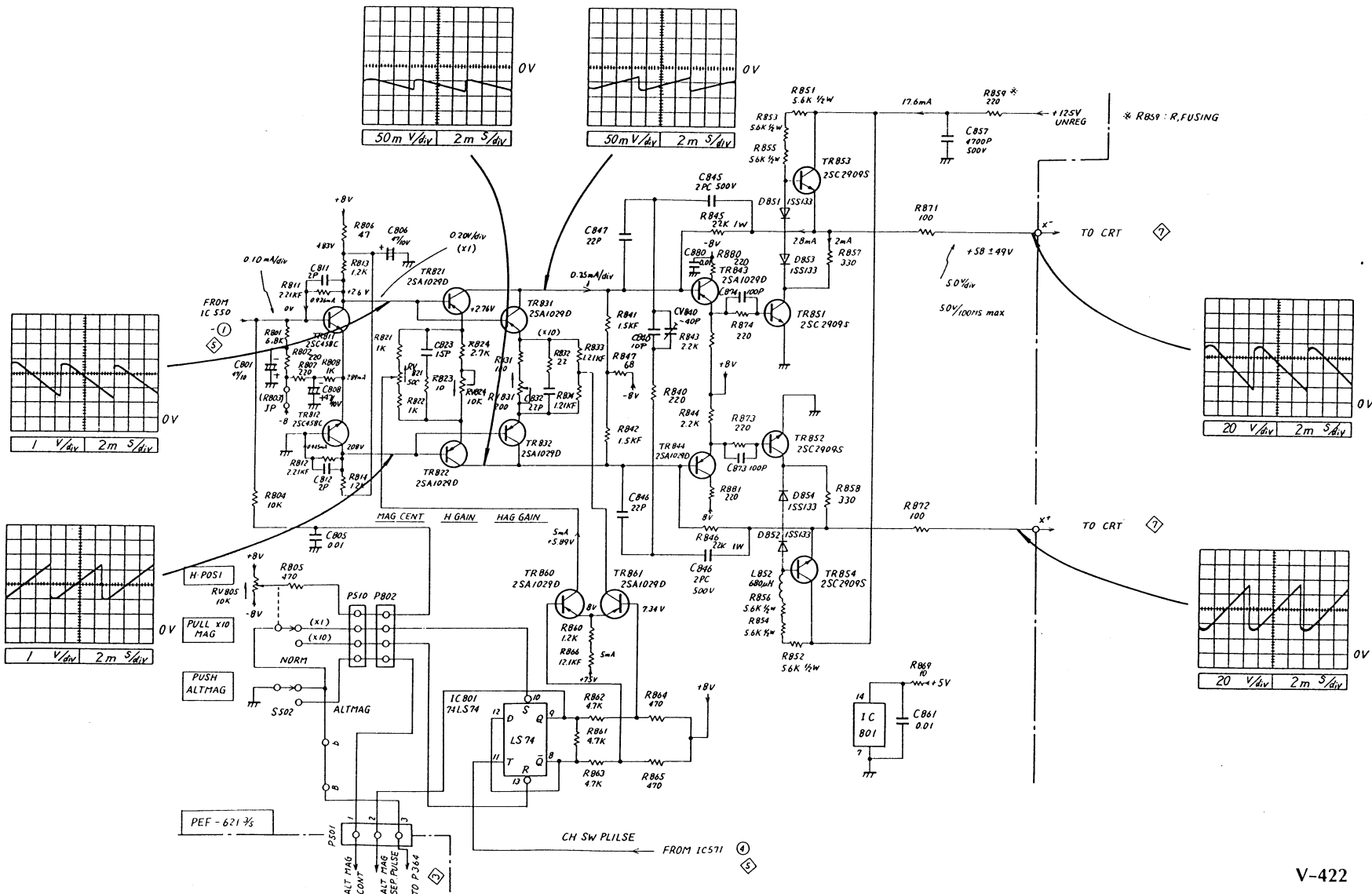
V-422
V OUT AMP



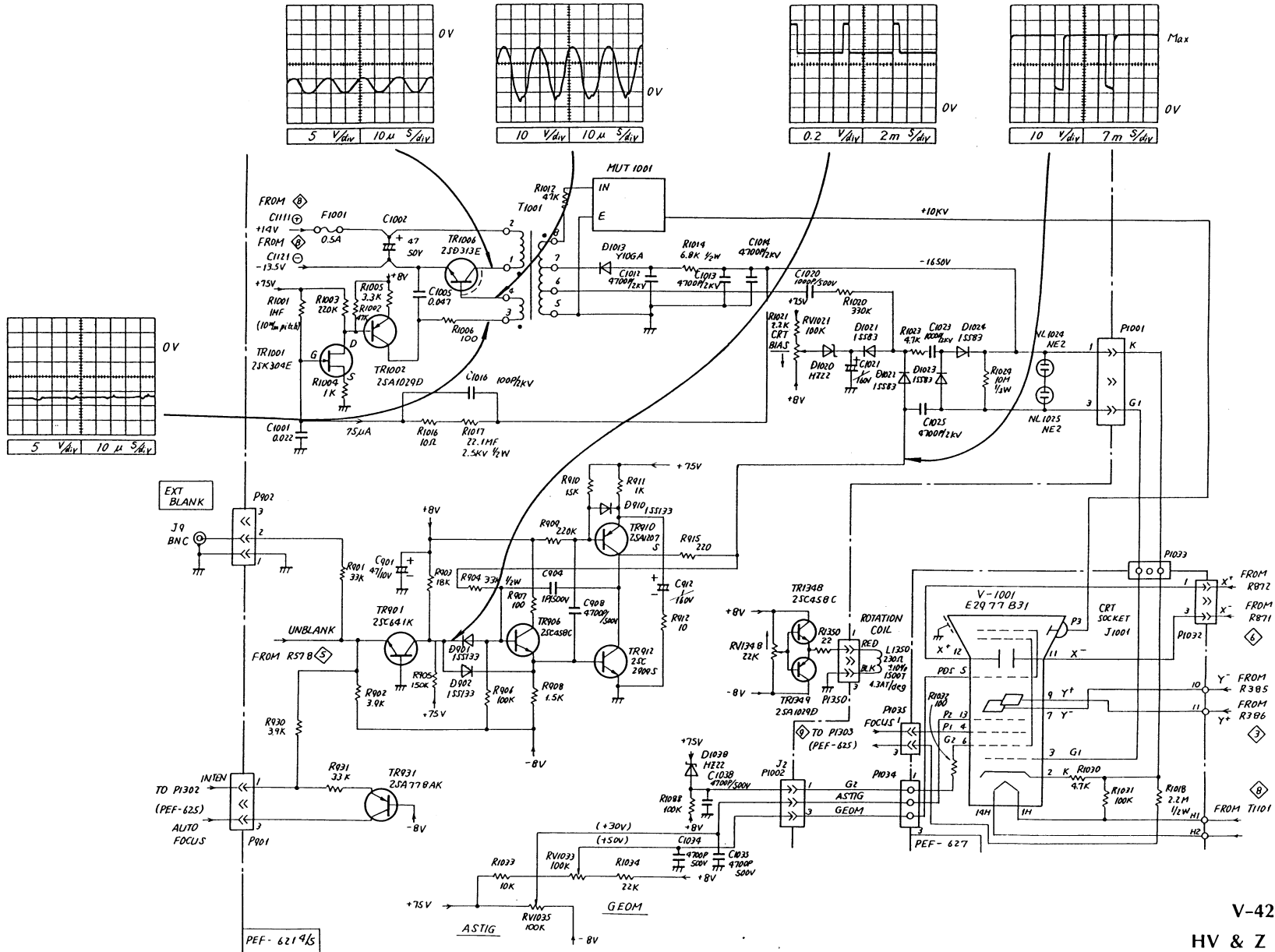
V-422
TRIG GEN

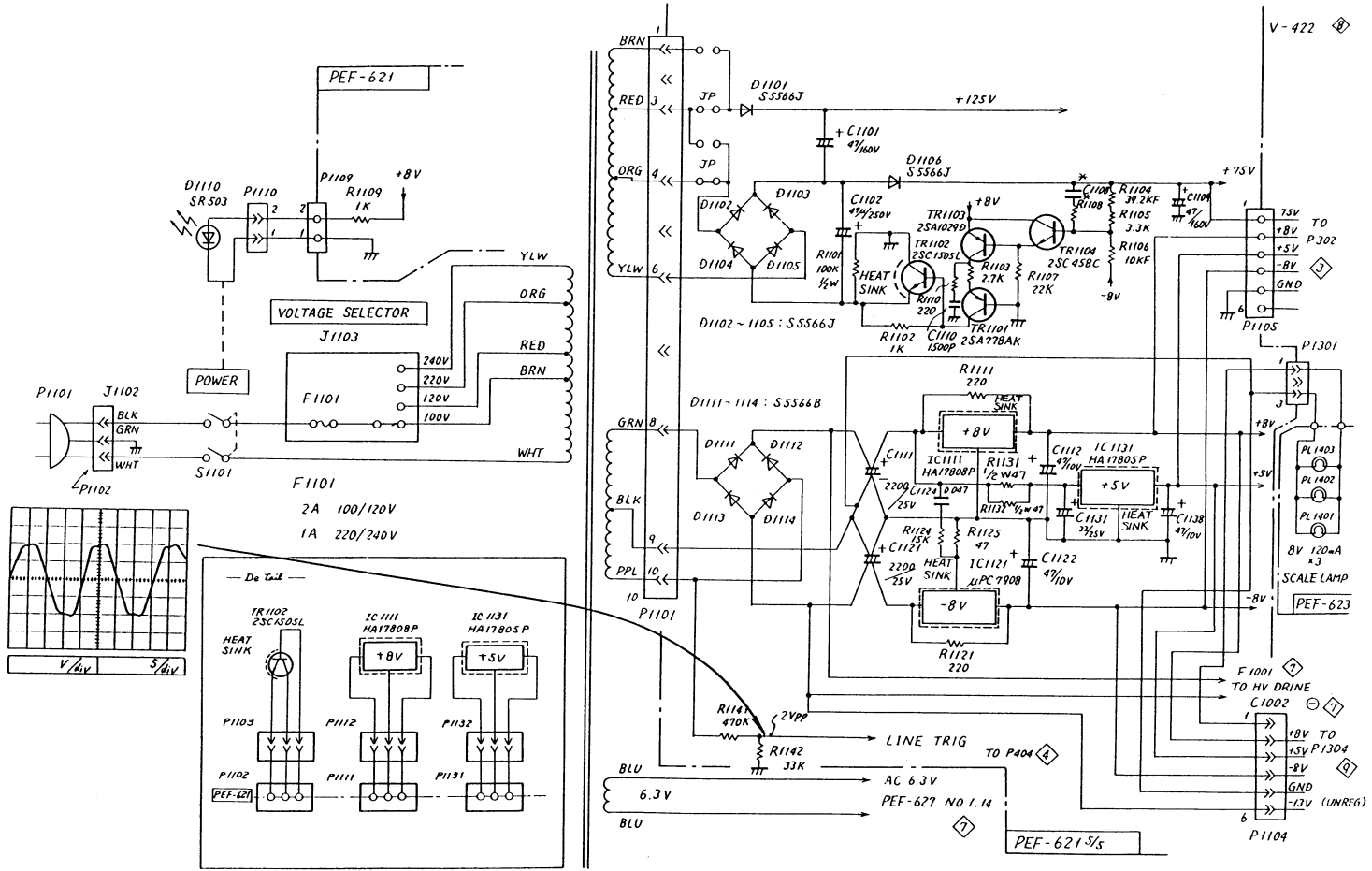


*: Factory adjusted value.



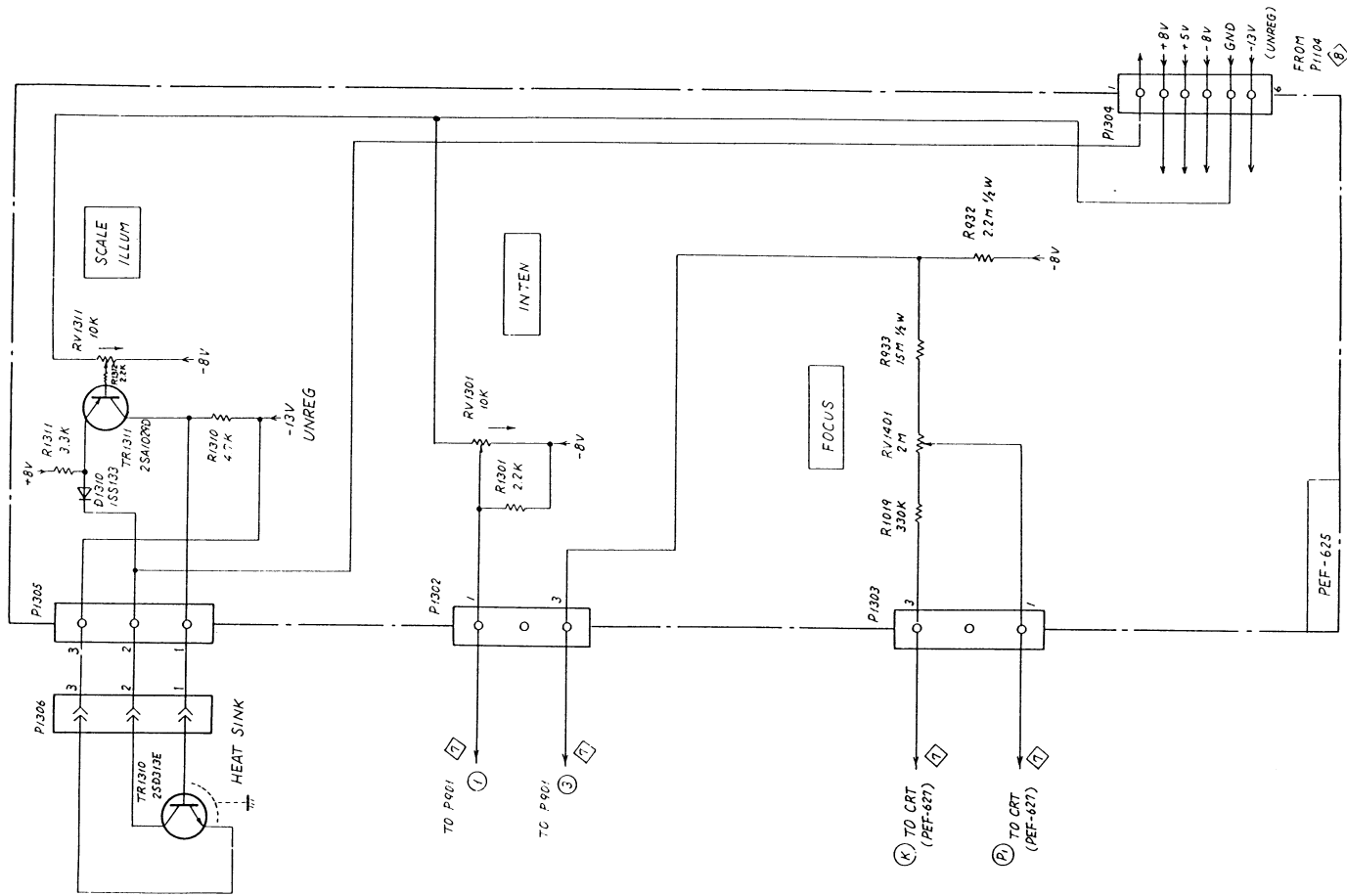
V-422
H AMP

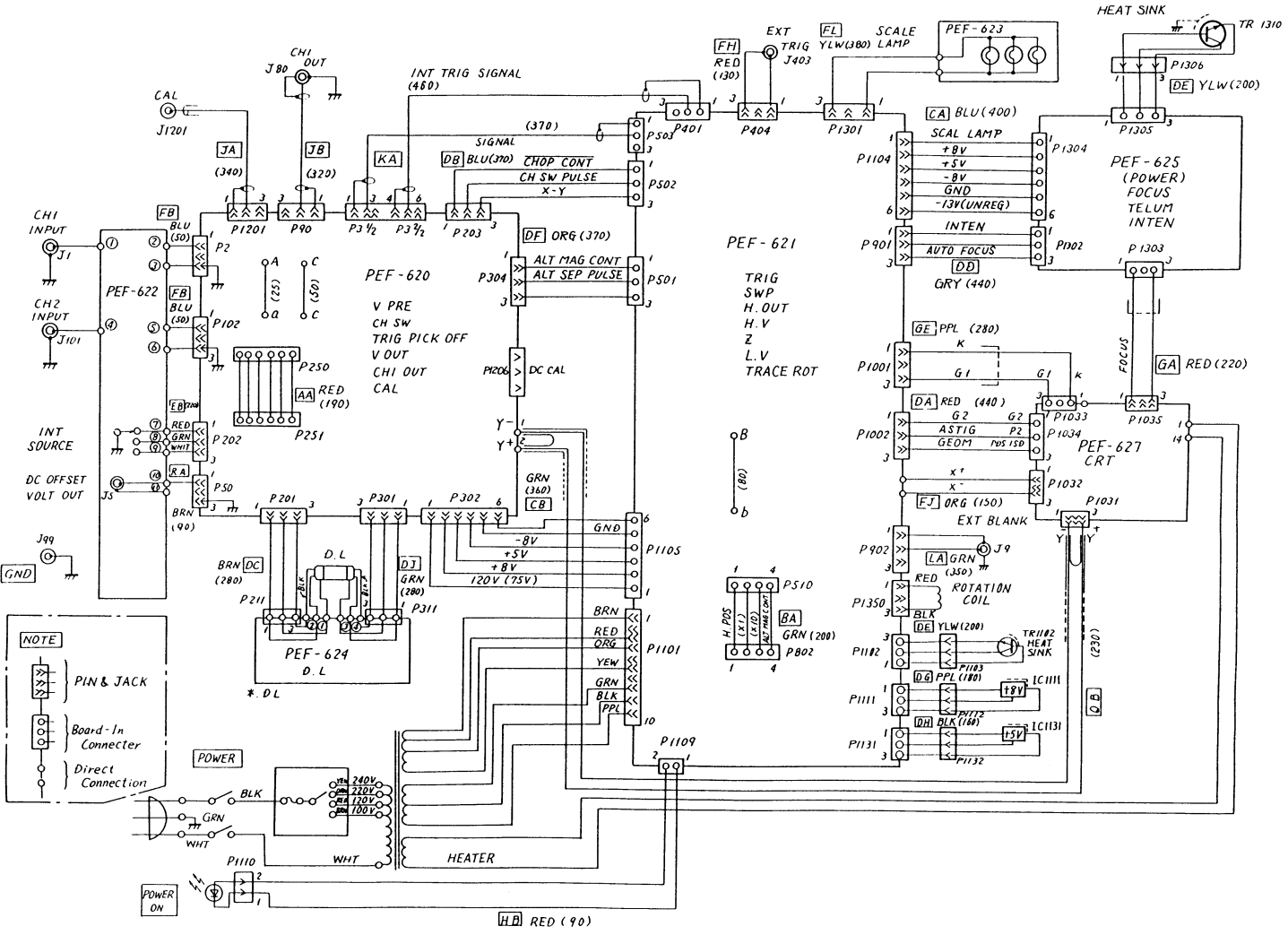




T1101

V-422
POWER SUPPLY





V-422
WIRING DIAGRAM

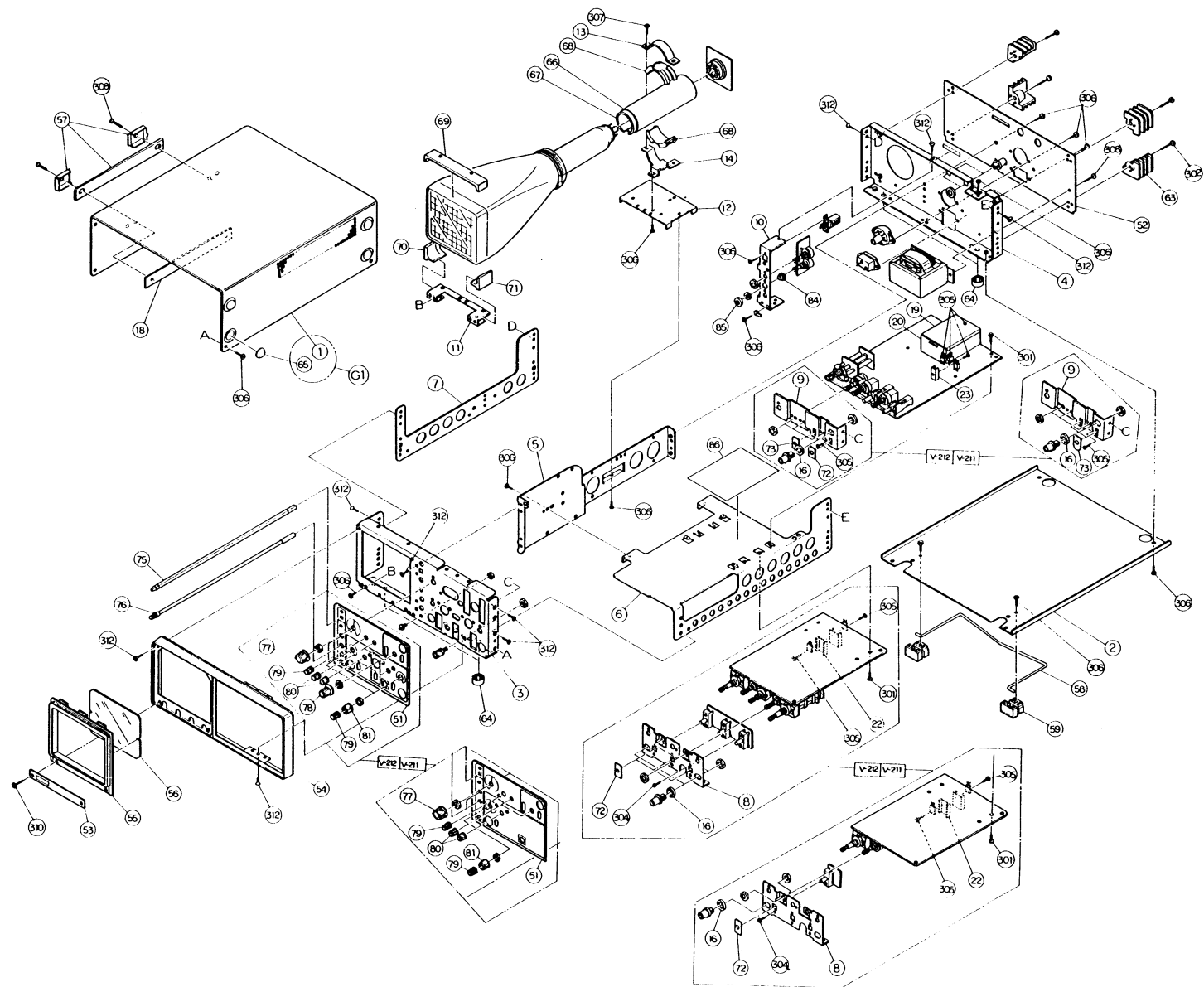
Part Code	Symbol	Description	Qty	
			V-211	V-212
8403435A	G 1	COVER ASSY	1	1
3177955A	1	COVER	1	1
3177957A	2	COVER BOTTOM	1	1
2105416A	3	CHASSIS FRONT	1	1
2105417AA	4	CHASSIS REAR	1	1
2105418AA	5	CHASSIS C	1	1
2105419AA	6	CHASSIS P	1	1
3177958AA	7	CHASSIS L	1	1
3177959A	8	BRACKET	1	1
3177960A	9	BRACKET	1	1
8398471A	10	BRACKET	1	1
8398472A	11	BRACKET CRT	1	1
8398473A	12	BRACKET CRT	1	1
8398474A	13	CRT BAND	1	1
8398475A	14	CRT BAND	1	1
8398476A	15	NUT PLATE	2	2
8398477A	16	SPACER BNC	2	2
8399593A	18	PLATE	1	1
3180079A	19	SHIELD CASE HV	1	1
8400305A	20	SHIELD COVER HV	1	1
8405457-59A	22	HEAT SINK	2	2
8405460A	23	HEAT SINK	1	1
3179394A	51	PANEL FRONT	1	-
3179392A	51	PANEL FRONT	-	1
3179396A	52	PANEL REAR	1	1
8399592A	53	NAME PLATE	1	-
8399592B	53	NAME PLATE	-	1
121381A	54	FRONT MASK	1	1
2105423A	55	BEZEL	1	1
8395445A	56	FILTER	1	1
4053616A	57	HANDLE	1	1
8398478A	58	STAND	1	1
3175129A	59	STAND STOPPER	1	1
			1	1
3149317A	63	FOOT	4	4
3140755A	64	FOOT	4	4
8396865A	65	FOOT	4	4
8395432A	66	SHIELD BAND	1	1
8396867A	67	RUBBER PLATE	1	1
3144055A	68	RUBBER	2	2
8395443A	69	RUBBER	1	1
8395444A	70	RUBBER	1	1
8395444B	71	RUBBER	1	1
8396868A	72	SPACER	1	3
8396868B	73	SPACER	2	2
3180083AA	75	KNOB-PW	1	1
3180084AA	76	KNOB-L	2	2
3140804B	77	KNOB-S22	1	1
3149321B	78	KNOB-S18	-	1
3149324C	79	KNOB-S18B	2	3
3149324D	80	KNOB-S18B	3	4
3122681C	81	KNOB-0016	1	2
8393786A	83	LABEL	1	1
8401613A	84	INSULATOR	1	1
8401614A	85	INSULATOR	1	1
8401625A	86	PLATE INSULATOR	1	1
8383455B	87	SADDLE	6	6
XCA0661	301	SCREW SEMS 3 x 8	10	10
8340167C	302	SCREW SEMS 4 x 20	4	4
XCA6005	304	SCREW 2.6 x 5	2	1
XCA6306	305	SCREW 3 x 6	2	6
XCA6308	306	SCREW x 8	32	32
XCA6316	307	SCREW 3 x 16	2	2

Part Code	Symbol	Description	Qty	
			V-211	V-212
XCA6412	G 308	SCREW 4 x 12	4	4
XCA1820	310	SCREW 3 x 10	2	2
XCA7306	312	SCREW FLAT 3 x 6	19	19

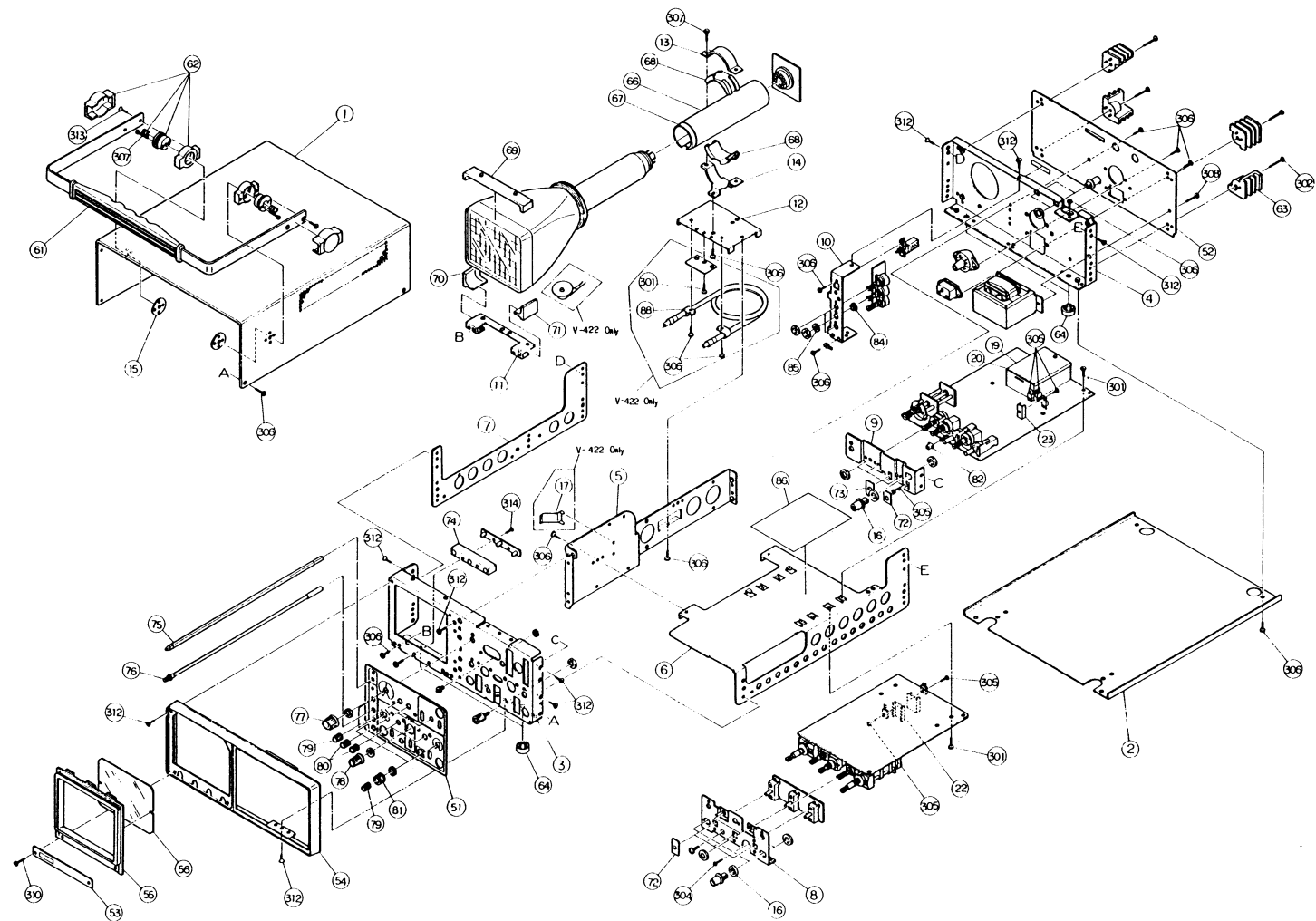
V-222/V-422

Part Code	Symbol	Description	Qty	
			V-422	V-222
3177956A	1	CCVER	1	1
3177957A	2	COVER BOTTOM	1	1
2105416A	3	CHASSIS FRONT	1	1
2105417AA	4	CHASSIS REAR	1	1
2105418AA	5	CHASSIS C	1	1
2105419AA	6	CHASSIS P	1	1
3177958AA	7	CHASSIS L	1	1
3177959A	8	BRACKET	1	1
3177960A	9	BRACKET	1	1
8398471A	10	BRACKET	1	1
8398472A	11	BRACKET CRT	1	1
8398473A	12	BRACKET CRT	1	1
8398474A	13	CRT BAND	1	1
8398475A	14	CRT BAND	1	1
8398476A	15	NUT PLATE	2	2
8398477A	16	SPACER BNC	3	3
8398479A	17	EARTH SPRING	1	-
3180079A	19	SHIELD CASE HV	1	1
8400305A	20	SHIELD COVER HV	1	1
8405457-59A	22	HEAT SINK	2	2
8405460A	23	HEAT SINK	1	1
3179392C	51	PANEL FRONT	1	-
3179392B	51	PANEL FRONT	-	1
3179396A	52	PANEL REAR	1	1
8399592D	53	NAME PLATE	1	-
8399592C	53	NAME PLATE	-	1
121381A	54	FRONT MASK	1	1
2105423A	55	BEZEL	1	1
8395445A	56	FILTER	1	1
3177922A	61	HANDLE	1	1
8377076A	62	HANDLE STOPPER	1	1
3149317A	63	FOOT	4	4
3140755A	64	FOOT	4	4
8395432B	66	SHIELD BAND	1	-
8395432A	66	SHIELD BAND	-	1
8396867B	67	RUBBER PLATE	1	-
8396967A	67	RUBBER PLATE	-	1
3144055A	68	RUBBER	2	2
8395443A	69	RUBBER	1	1
8395444A	70	RUBBER	1	1
8395444B	71	RUBBER	1	1
8396868A	72	SPACER	3	3
8396868B	73	SPACER	2	2
8395431A	74	PLATE LAMP GUIDE	1	1
3180083AA	75	KNOB-PW	1	1
3180084AA	76	KNOB-L	3	3
3140804B	77	KNOB-S22	1	1
3149321B	78	KNOB-S18	1	1
3149324C	79	KNOB-S18B	3	3
3149324D	80	KNOB-S18B	4	4
3122681C	81	KNOB-0016	2	2
8383451A	82	KNOB-SW	1	1
8393786A	83	LABEL	1	1
8401613A	84	INSULATOR	1	1
8401614A	85	INSULATOR	1	1
8401625A	86	PLATE INSULATOR	1	1
8383455B	87	SADDLE	7	6
4124935C	88	CLIP	2	-
XCA0661	301	SCREW SEMS 3 x 8	10	10
8340167C	302	SCREW SEMS 4 x 20	4	4
XCA6005	304	SCREW 2.6 x 5	1	1
XCA6306	305	SCREW 3 x 6	6	6
XCA6308	306	SCREW 3 x 8	28	28

Part Code	Symbol	Description	Qty	
			V-422	V-222
XCA6316	307	SCREW 3 x 16	6	6
XCA6412	308	SCREW 4 x 12	2	2
XCA1820	310	SCREW 3 x 10	2	2
XCA7306	312	SCREW FLAT 3 x 6	19	19
XCA7410	313	SCREW FLAT 4 x 10	4	4
XCA0251	314	SCREW PAN 3 x 8 PLASTIC	2	2



V-211/V-212
EXPLODED VIEW



V-222/V-422
EXPLODED VIEW