

**HUNG CHANG**

**Model: OS-620**

**20MHz Dual Trace  
OSCILLOSCOPE**

**VIDEOSISTEMAS LTD.**

<http://www.videosistemas-net.com>  
[ayudatecnica@videosistemas-net.com](mailto:ayudatecnica@videosistemas-net.com)

**HUNG CHANG PRODUCTS CO., LTD.**

**HEAD OFFICE: 1<sup>ST</sup> FACTORY ADDRESS: 310-222, BULKWANG DONG, EUNPYUNG-KU, SEOUL KOREA**

**MAILING ADD: C.P.O. BOX 3125 SEOUL KOREA**

## 2-2 CONTROLS &amp; INDICATIONS

## 1. VERTICAL INPUT

Vertical input terminal for CH-A.

## 2. AC-GND-DC

Vertical input coupling for CH-A. In AC position, the DC component of input signal is blocked by a capacitor. In GND position, the input terminal opens and the input of the internal amplifier is grounded. In DC position, the input terminal is directly connected to the amplifier and all components of input signal are displayed.

## 3. MODE

CH-A: Waveforms of CH-A are displayed.

CH-B: Waveforms of CH-B are displayed.

DUAL: In the range from 0.5sec/DIV up to 1 msec/DIV, both channels are chopped at about 200kHz.

In the range from 0.5msec/DIV up to 0.2  $\mu$ sec/DIV, both channels are switched alternately.

ADD: CH-A and CH-B signals are added. By pulling  $\text{\textcircled{23}}$  PULL INVERT, SUB mode is obtained.

## 4. VOLTS/DIV VARIABLE for CH-A.

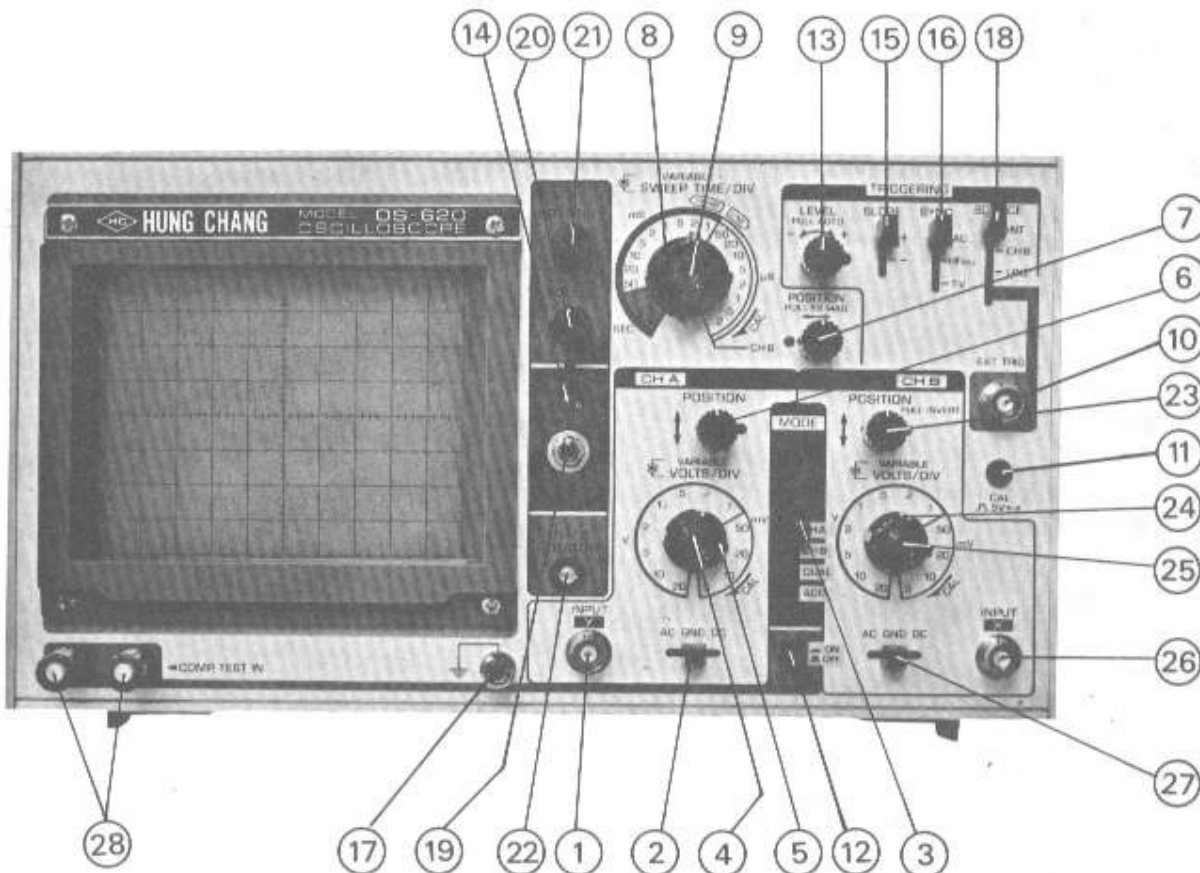


Fig. 1

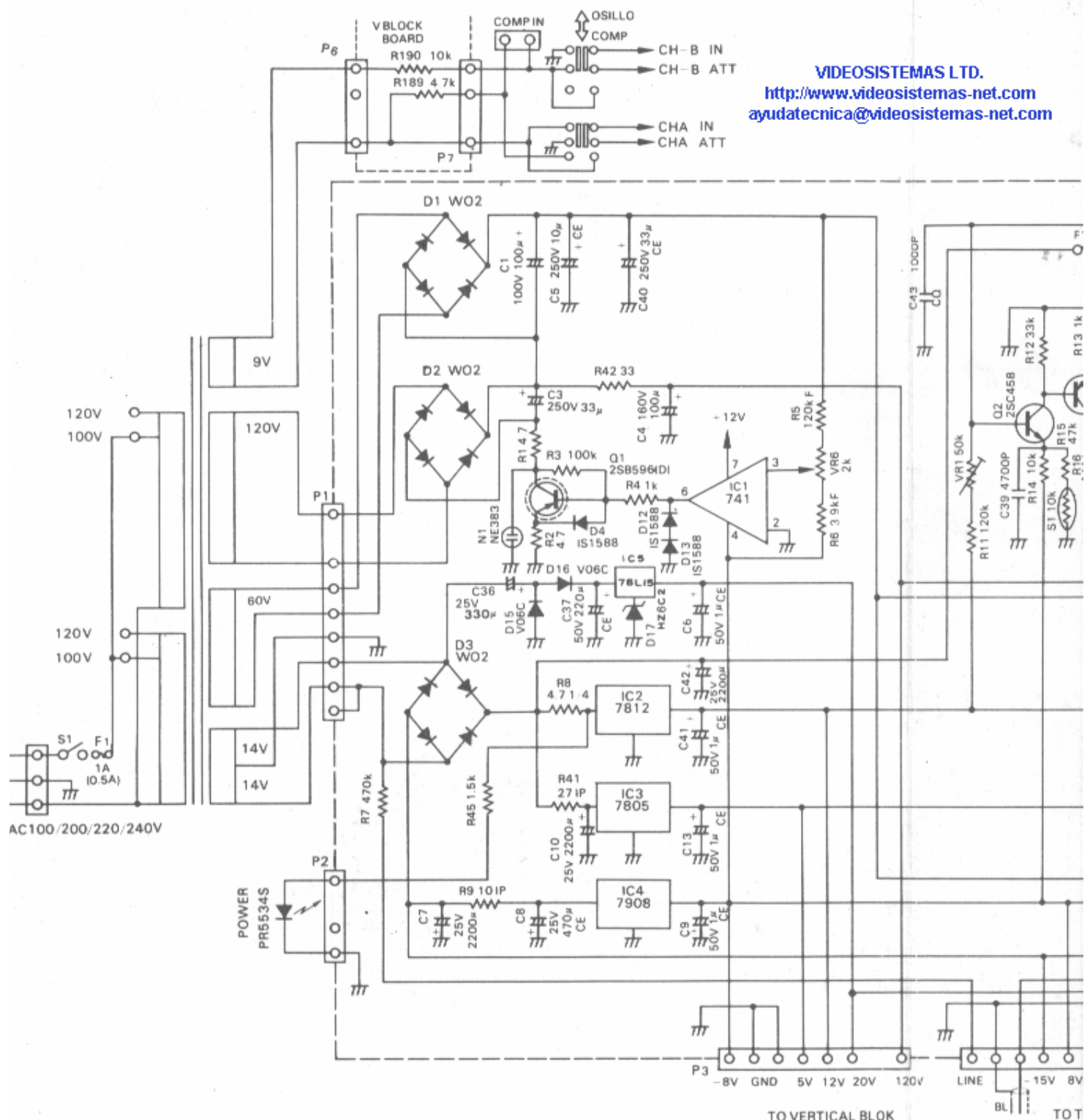
## 5. VOLTS/DIV

Vertical attenuator for CH-A. The scale is graduated in voltage per "DIV" of CRT screen area. Calibrated voltage is indicated when the VARIABLE is turned fully clockwise. Selectable in 10 calibrated ranges from 5mV/DIV to 20V/DIV.

## 6. VERTICAL POSITION

Vertical position adjuster for CH-A.

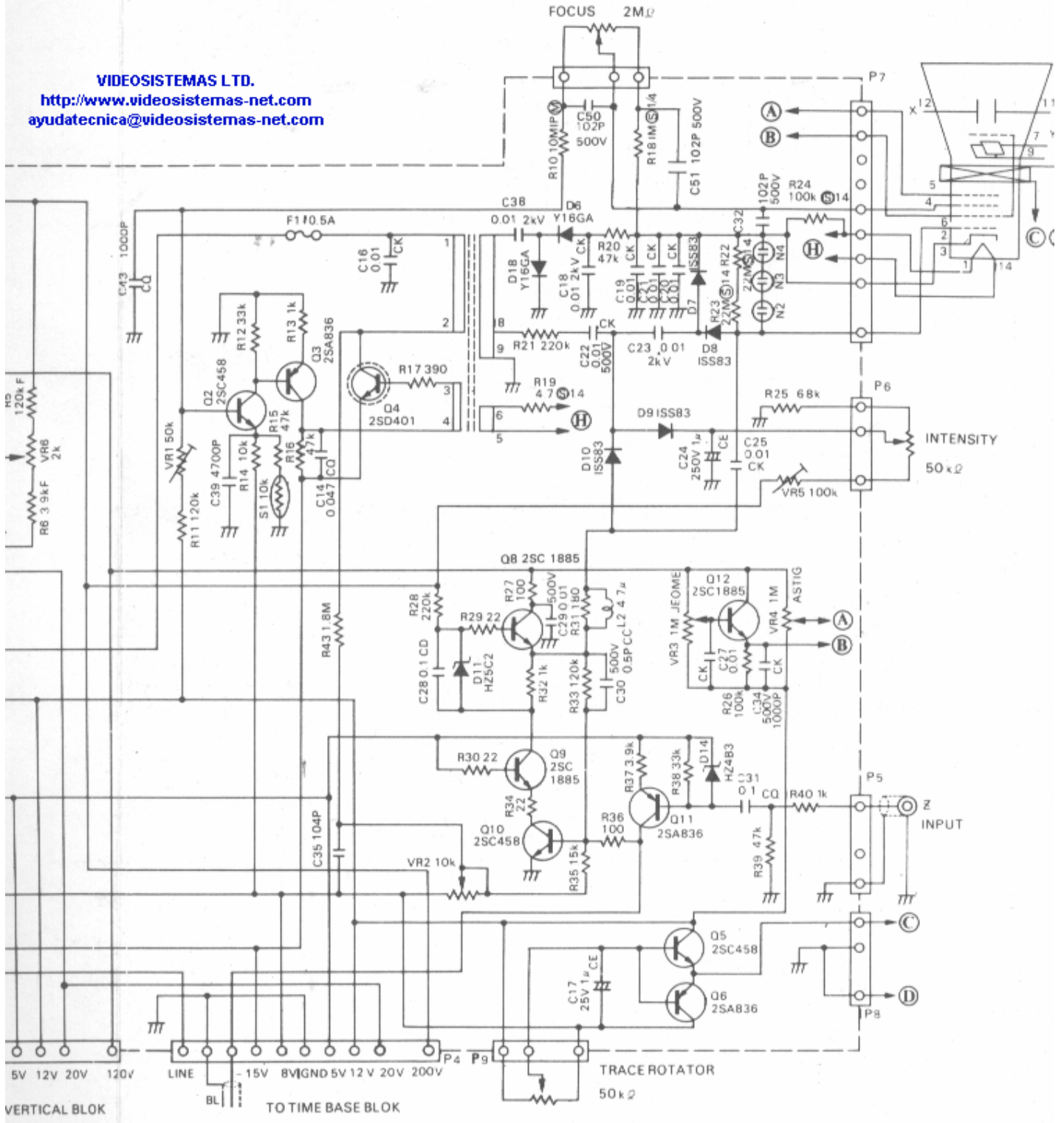
## 7. HORIZONTAL POSITION and PULL 5X MAG



**VIDEOSISTEMAS LTD.**  
<http://www.videosistemas-net.com>  
[ayudatecnica@videosistemas-net.com](mailto:ayudatecnica@videosistemas-net.com)

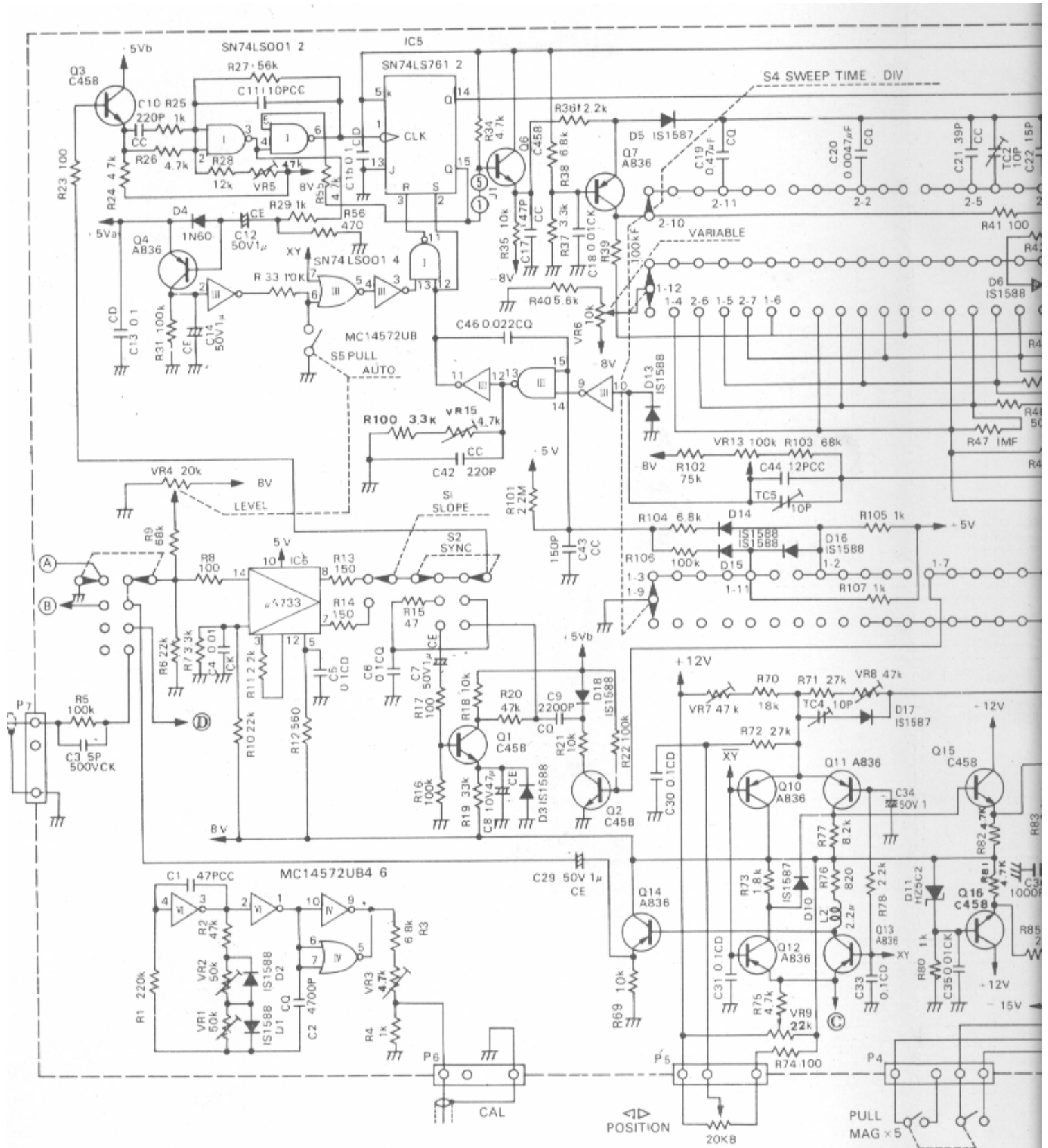
**7-3 POWER SUPPLY CIRCUIT DIAGRAM**  
 290-1017-33

VIDEOSISTEMAS LTD.  
<http://www.vidEOSISTEMAS-net.com>  
 ayudatecnica@vidEOSISTEMAS-net.com



SUPPLY CIRCUIT DIAGRAM  
 D-1017-33





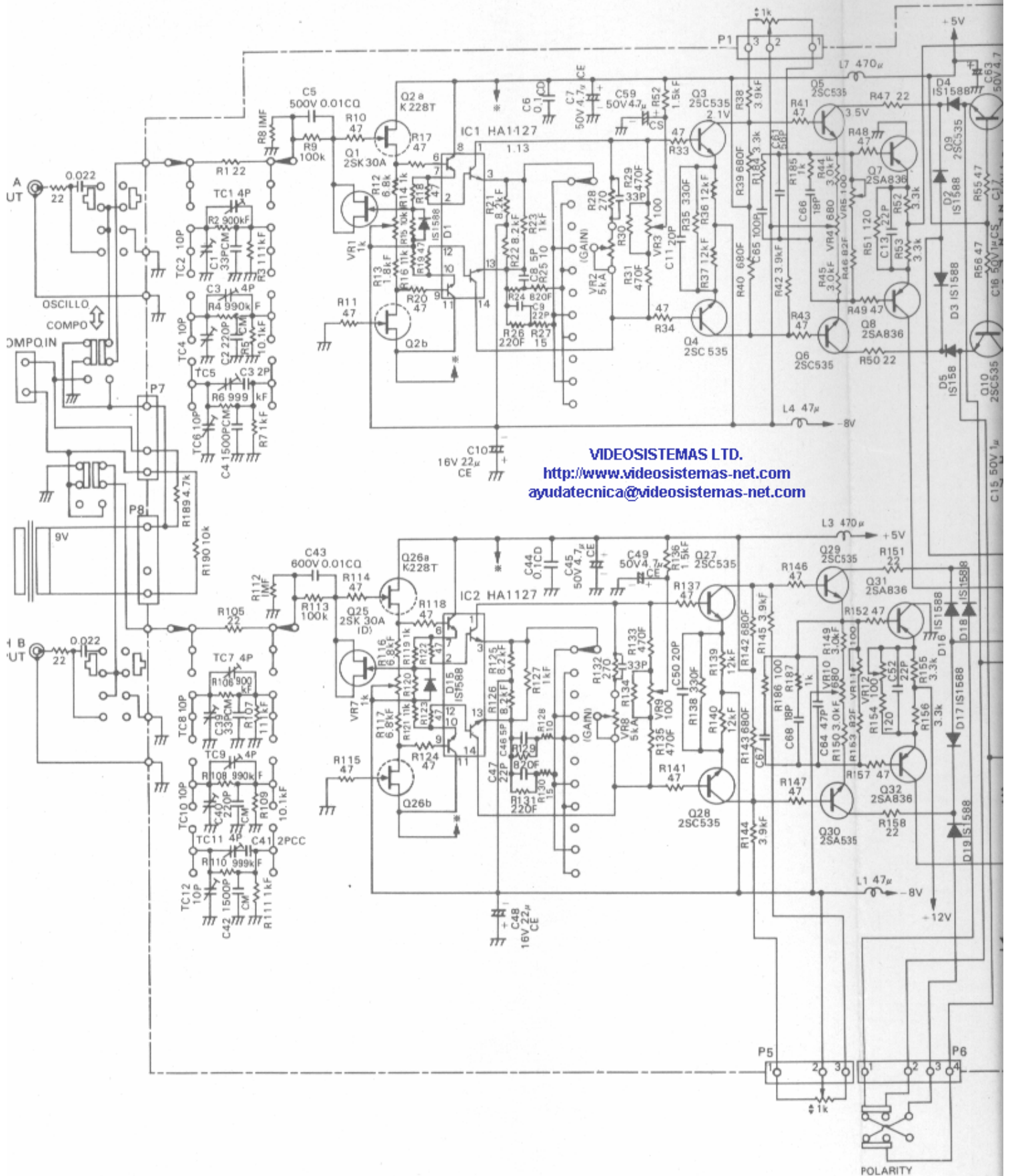
VIDEOSISTEMAS LTD.

<http://www.videosistemas-net.com>

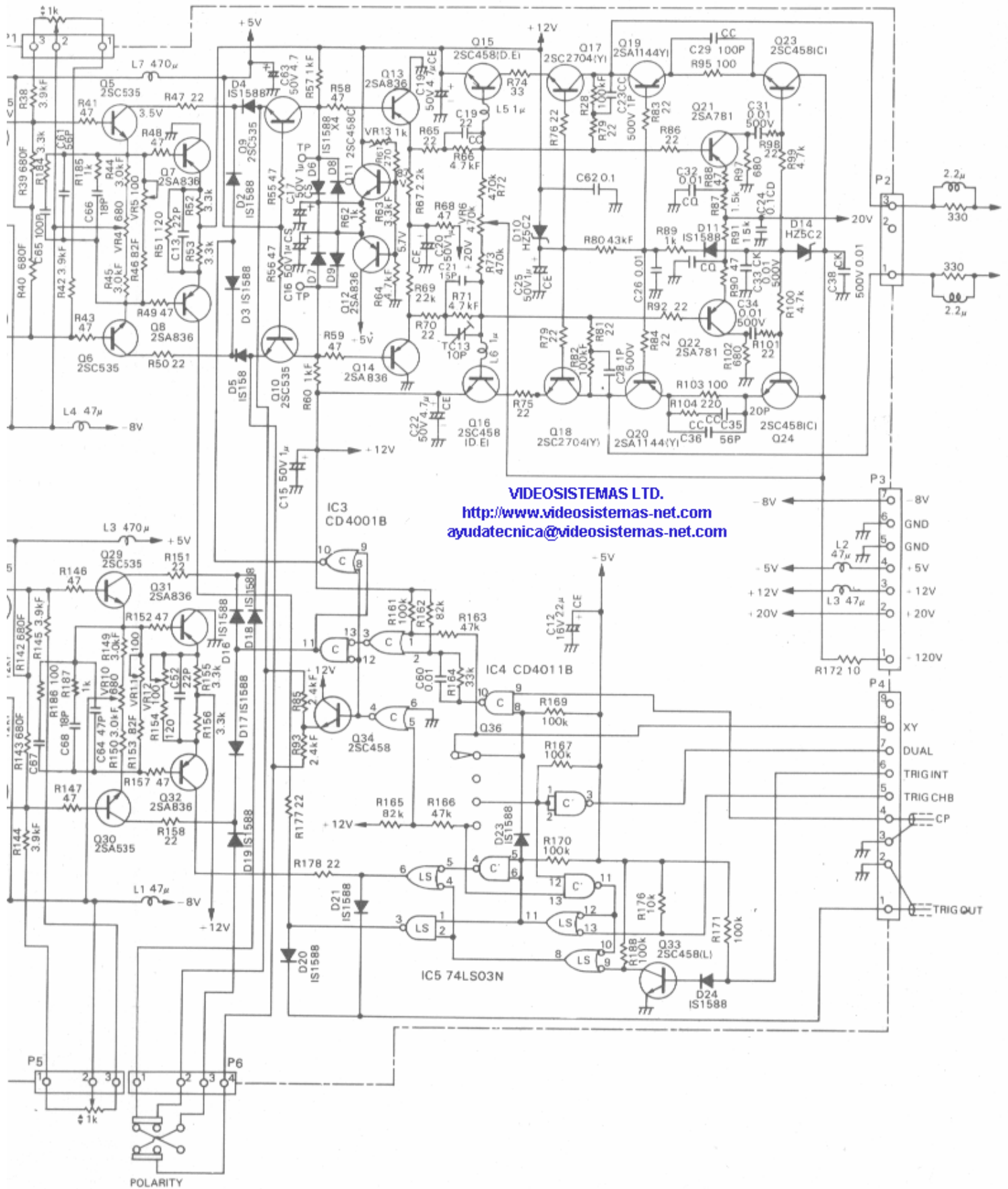
[ayudatecnica@videosistemas-net.com](mailto:ayudatecnica@videosistemas-net.com)

7-2-(1) HORIZONTAL/TIME BASE CIRCUIT DI

(290-1020-43)



7-1-(1) VERTICAL AMP CIRCUIT DIAGRA



VIDEOSISTEMAS LTD.  
<http://www.videosistemas-net.com>  
 ayudatecnica@videosistemas-net.com

TICAL AMP CIRCUIT DIAGRAM