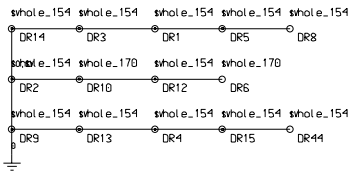
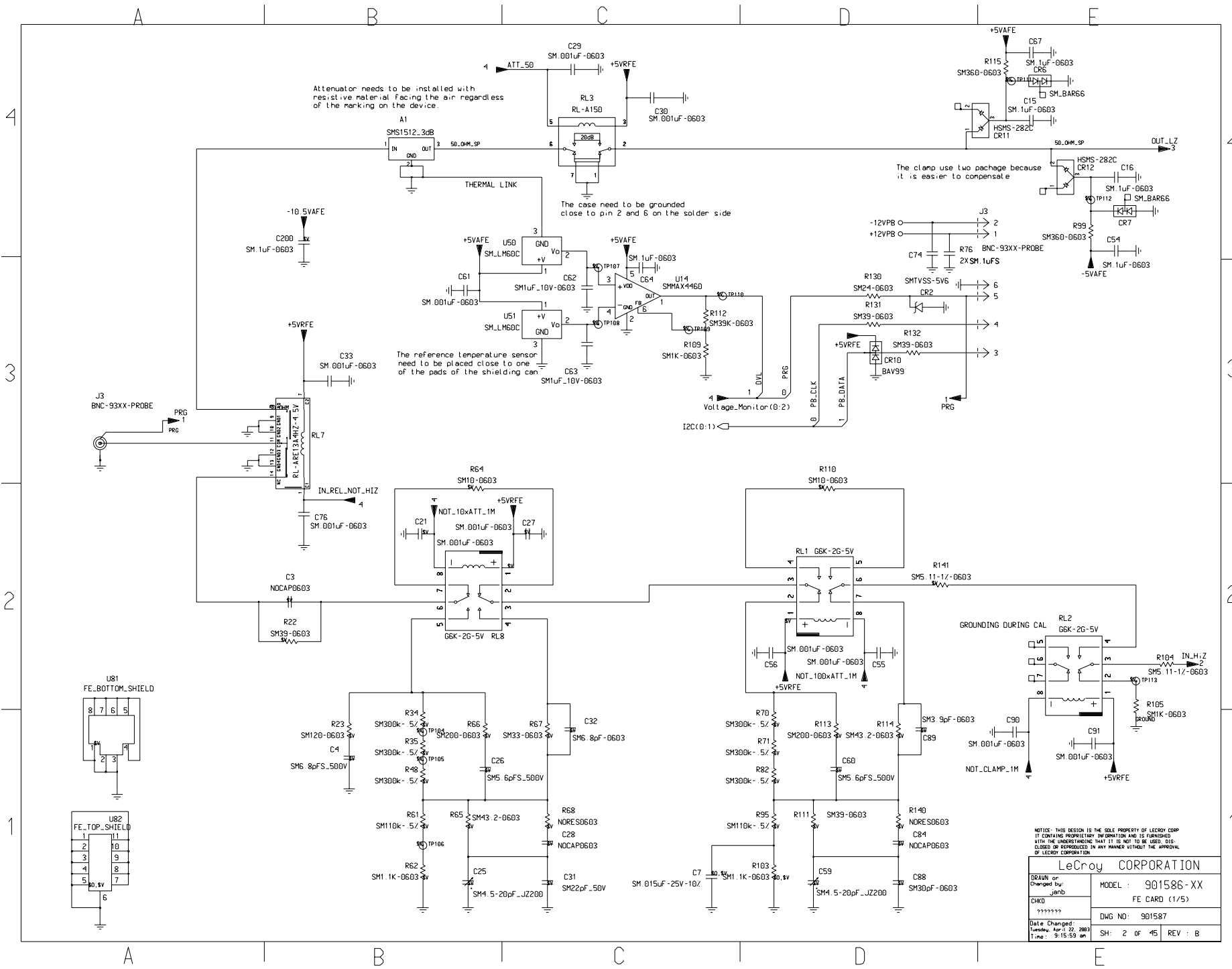


NOTICE: THIS DESIGN IS THE SOLE PROPERTY OF LECROY CORP. IT CONTAINS PROPRIETARY INFORMATION AND IS FURNISHED WITH THE UNDERSTANDING THAT IT IS NOT TO BE USED, DISCLOSED OR REPRODUCED IN ANY MANNER WITHOUT THE APPROVAL OF LECROY CORPORATION.

LeCroy CORPORATION	
DRAWN or Changed by: bessie	MODEL : 901586-XX
CHKD / /	TOP LEVEL (1/11)
Date Changed: Fri, Jun 26, 2003 Time: 3:41:15 am	DWG NO: 901587
SH: 1 OF 45	REV : B



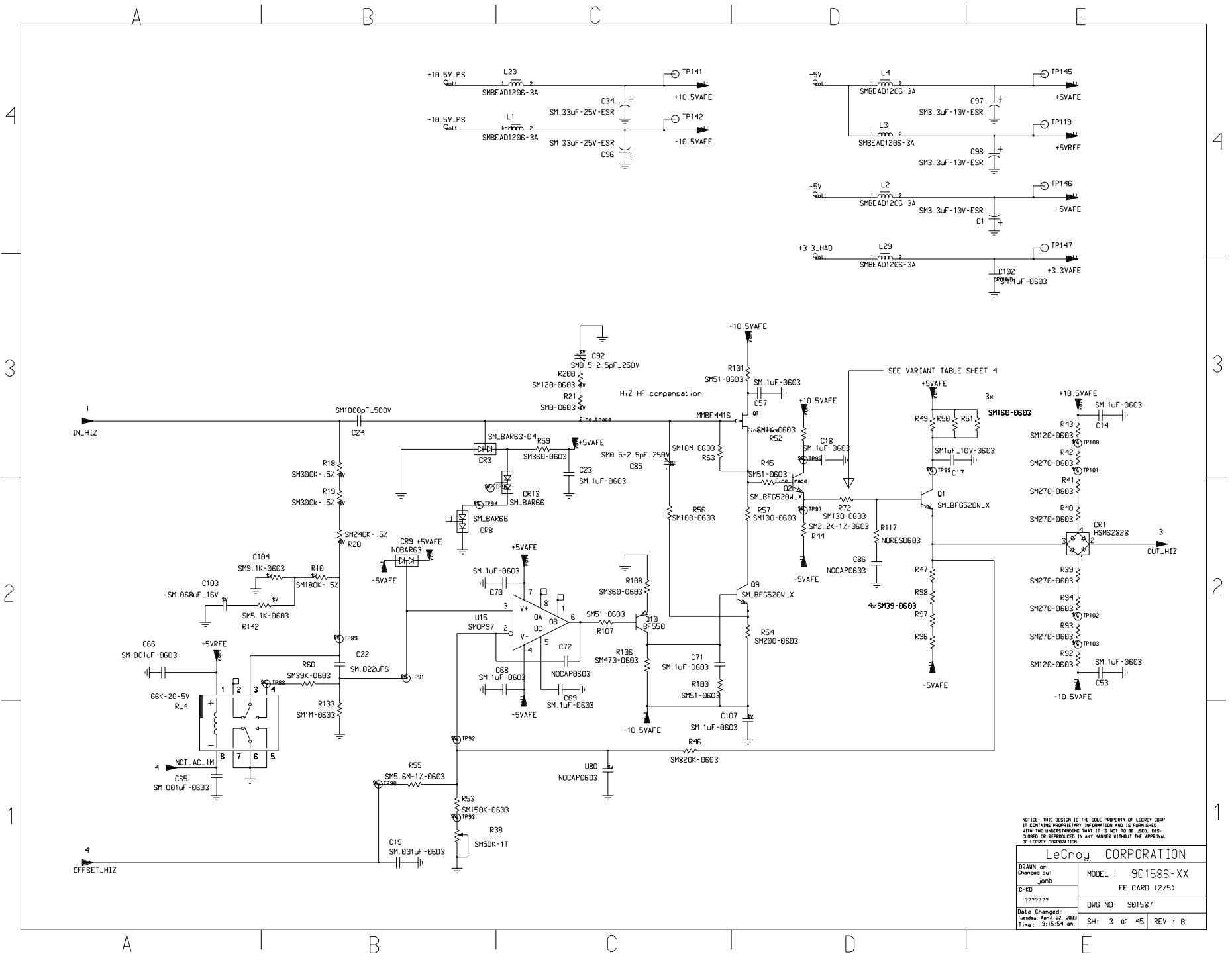
- 24 UNUSED
- 25 UNUSED
- 26 UNUSED
- 27 UNUSED
- 28 UNUSED
- 29 UNUSED



NOTICE: THIS DESIGN IS THE SOLE PROPERTY OF LEADCO CORP
 IT CONTAINS PROPRIETARY INFORMATION AND IS FURNISHED
 WITH THE UNDERSTANDING THAT IT IS NOT TO BE USED, DIS-
 CLOSED OR REPRODUCED IN ANY MANNER WITHOUT THE APPROVAL
 OF LEADCO CORPORATION.

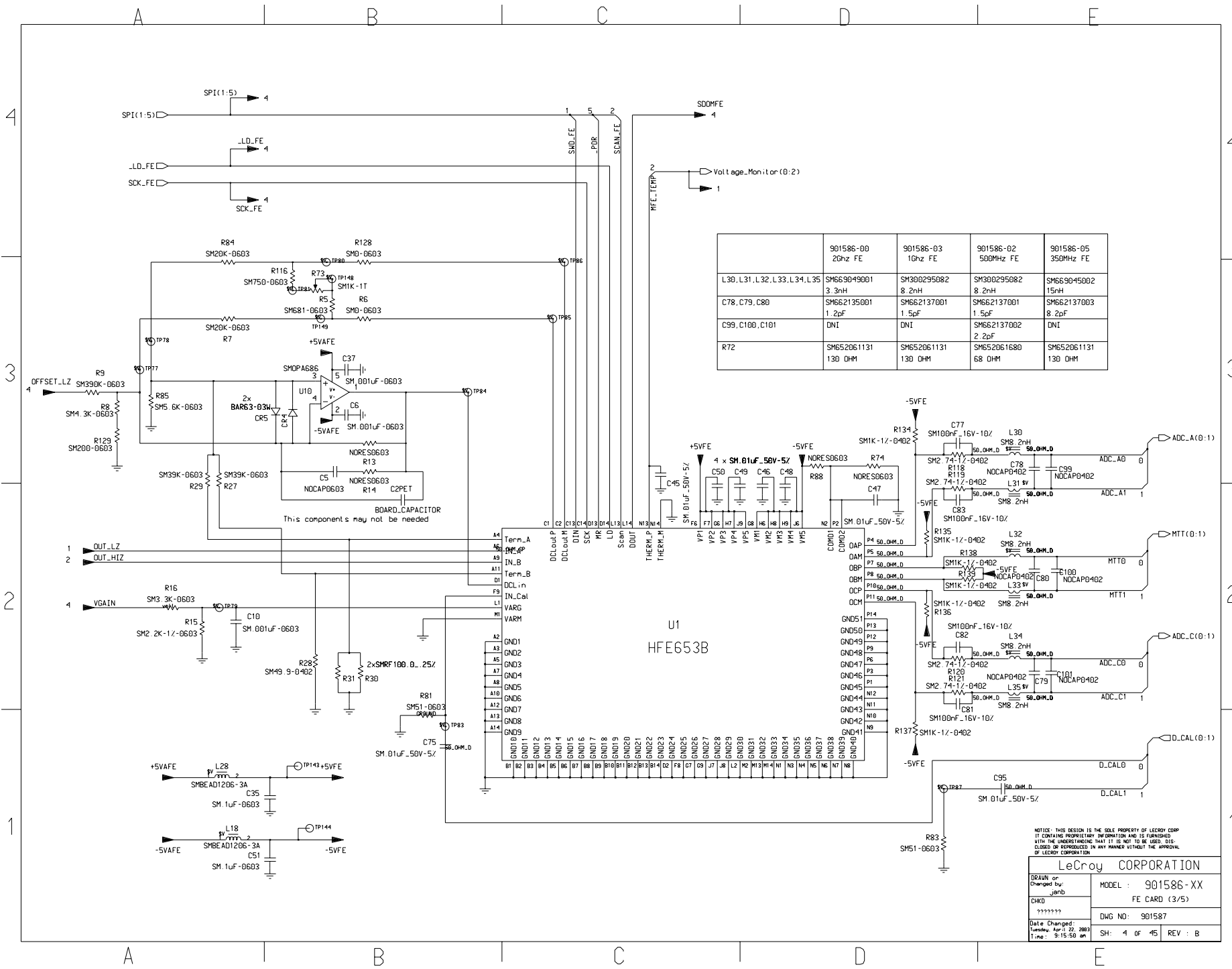
LeCroy CORPORATION

DRAWN or Changed by: jamb	MODEL: 901586-XX
CHKD ???????	FE CARD (1/5)
Date Changed: Tuesday, Apr 25, 2003 Time: 9:15:53 am	DWG NO: 901587
	SH: 2 of 45 REV: B



NOTICE: THIS DESIGN IS THE SOLE PROPERTY OF LECROY CORP. IT CONTAINS PROPRIETARY INFORMATION AND IS FURNISHED WITH THE UNDERSTANDING THAT IT IS NOT TO BE USED, DISCLOSED OR REPRODUCED IN ANY MANNER WITHOUT THE APPROVAL OF LECROY CORPORATION.

LeCroy CORPORATION	
DRAWN or Changed by: jemb	MODEL : 901586-XX
CHKD	FE CARD (2/5)
???????	DWG NO: 901587
Date Changed: Tuesday, Apr 22, 2003 Time: 9:15:54 am	SH: 3 of 45 REV : B

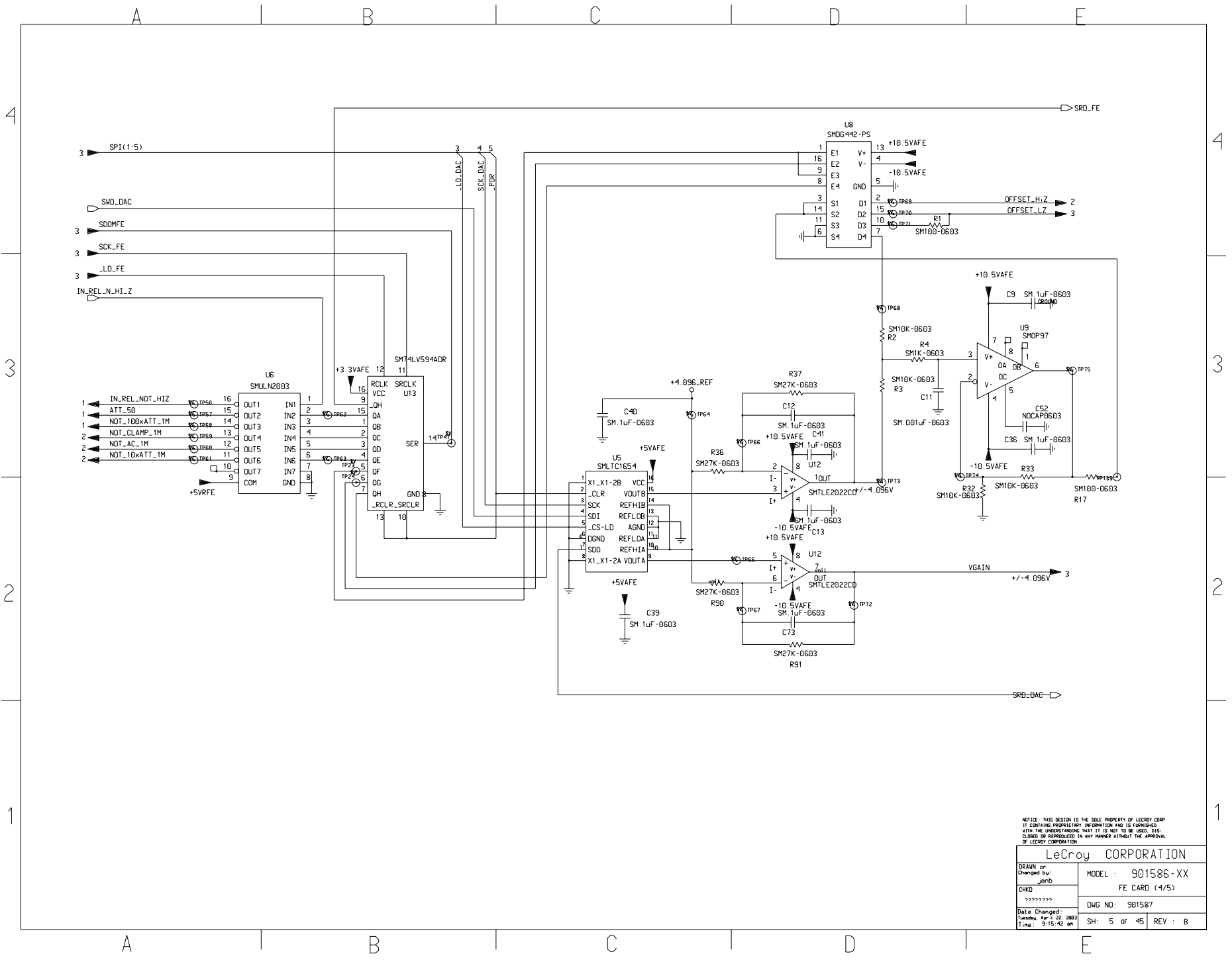


	901586-00 20Hz FE	901586-03 1Ghz FE	901586-02 500MHz FE	901586-05 350MHz FE
L30, L31, L32, L33, L34, L35	SM669049001 3.3nH	SM300295082 8.2nH	SM300295082 8.2nH	SM669045002 15nH
C78, C79, C80	SM662135001 1.2pF	SM662137001 1.5pF	SM662137001 1.5pF	SM662137003 8.2pF
C99, C100, C101	DNI	DNI	SM662137002 2.2pF	DNI
R72	SM652061131 130 OHM	SM652061131 130 OHM	SM652061680 68 OHM	SM652061131 130 OHM

NOTICE: THIS DESIGN IS THE SOLE PROPERTY OF LECROY CORP. IT CONTAINS PROPRIETARY INFORMATION AND IS FURNISHED WITH THE UNDERSTANDING THAT IT IS NOT TO BE USED, DISCLOSED OR REPRODUCED IN ANY MANNER WITHOUT THE APPROVAL OF LECROY CORPORATION.

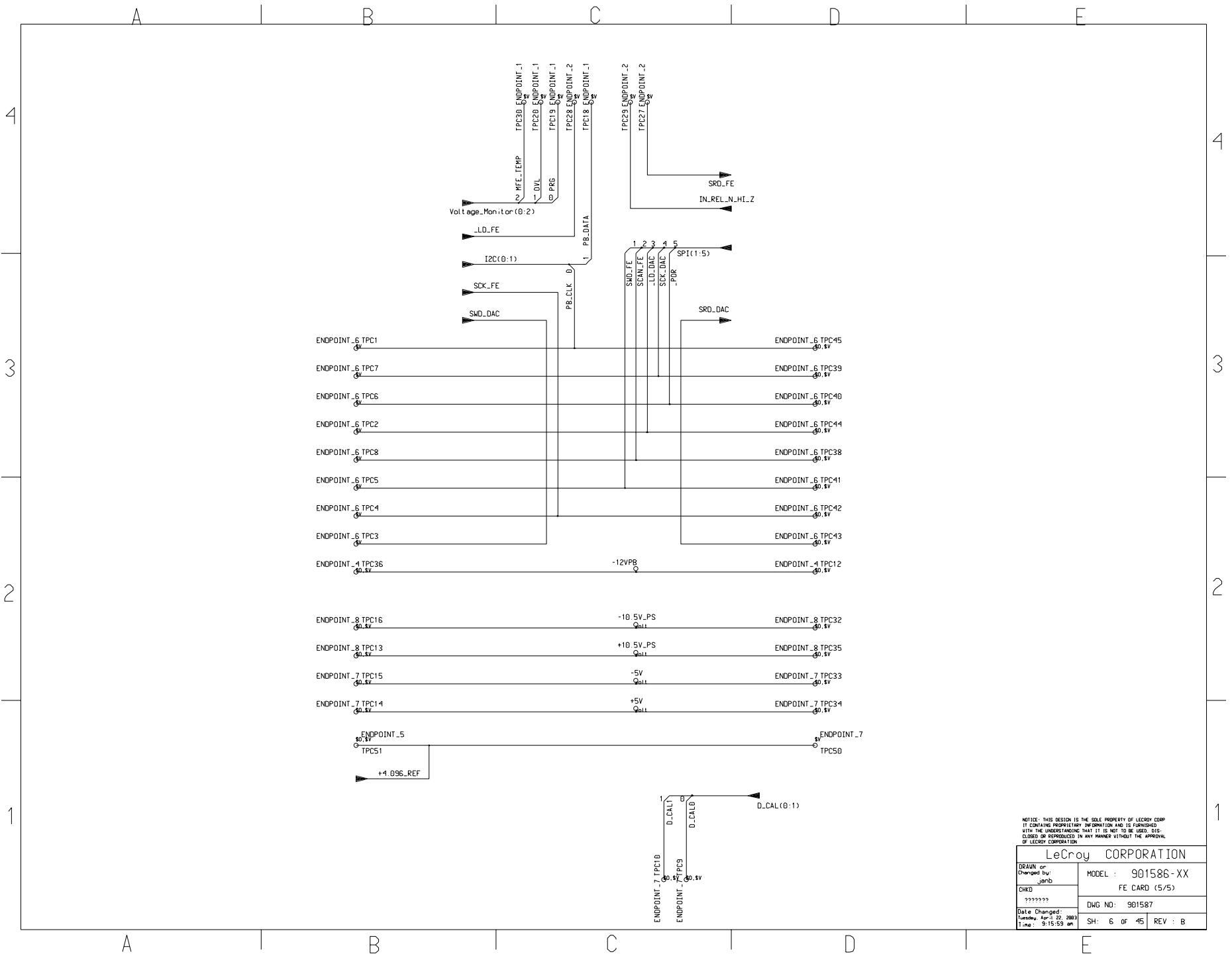
LeCroy CORPORATION

DRAWN or Changed by: jmb	MODEL: 901586-XX
CHKD: ???????	FE CARD (3/5)
Date Changed: Tuesday, Apr 12, 2005 9:15:50 am	DWG NO: 901587
	SH: 4 of 45 REV: B



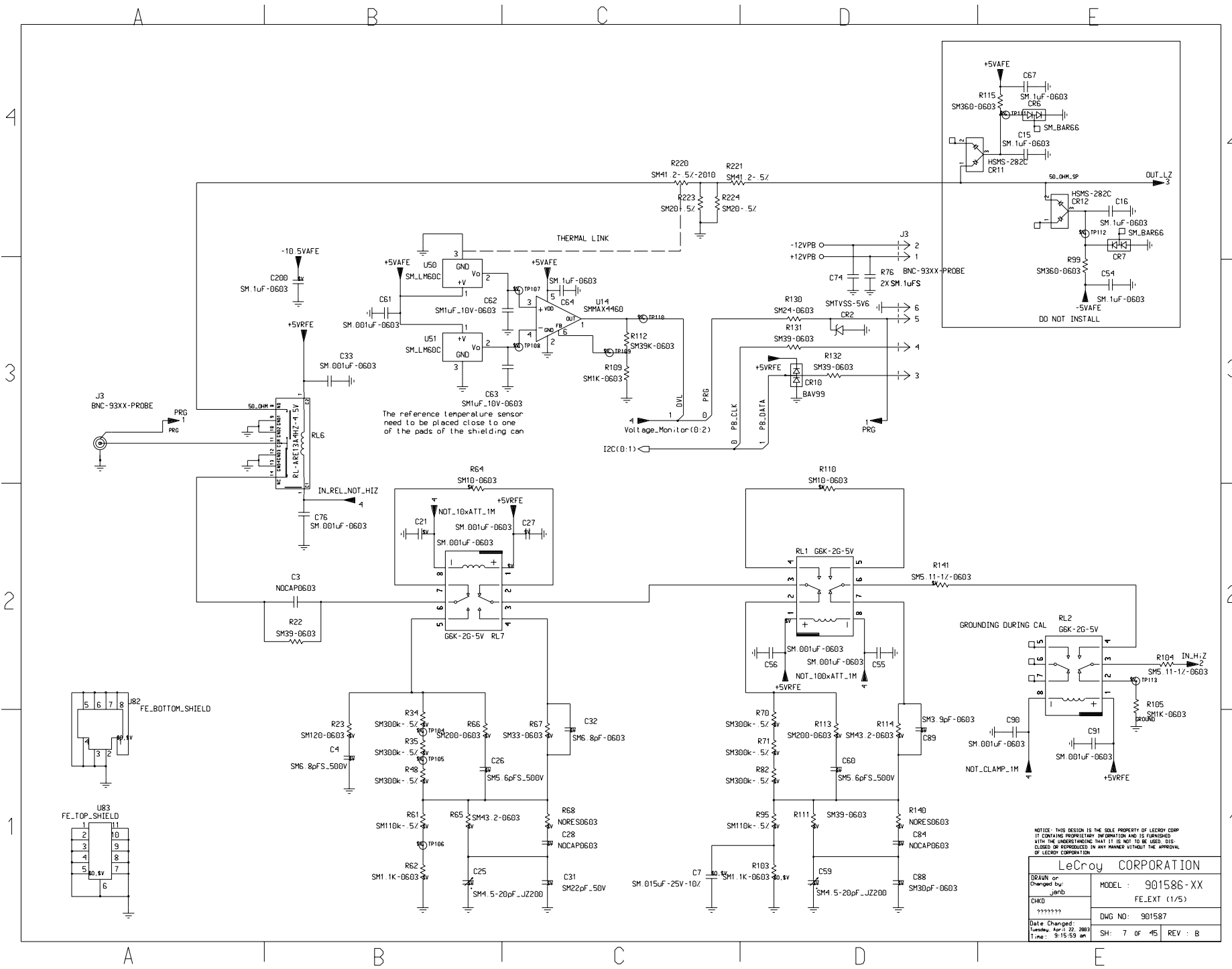
NOTICE: THIS DESIGN IS THE SOLE PROPERTY OF LEADROY CORP
 IT CONTAINS PROPRIETARY INFORMATION AND IS FURNISHED
 WITH THE UNDERSTANDING THAT IT IS NOT TO BE USED, DIS-
 CLOSED OR REPRODUCED IN ANY MANNER WITHOUT THE APPROVAL
 OF LEADROY CORPORATION.

LeCroy CORPORATION	
DRAWN BY: Changed By: jamb	MODEL : 901586-XX
CHKD ????????	FE CARD (4/5)
Date Changed: Tuesday, Apr 12, 2005 Time: 9:15:42 am	DWG NO: 901587
	SH: 5 OF 45 REV: B



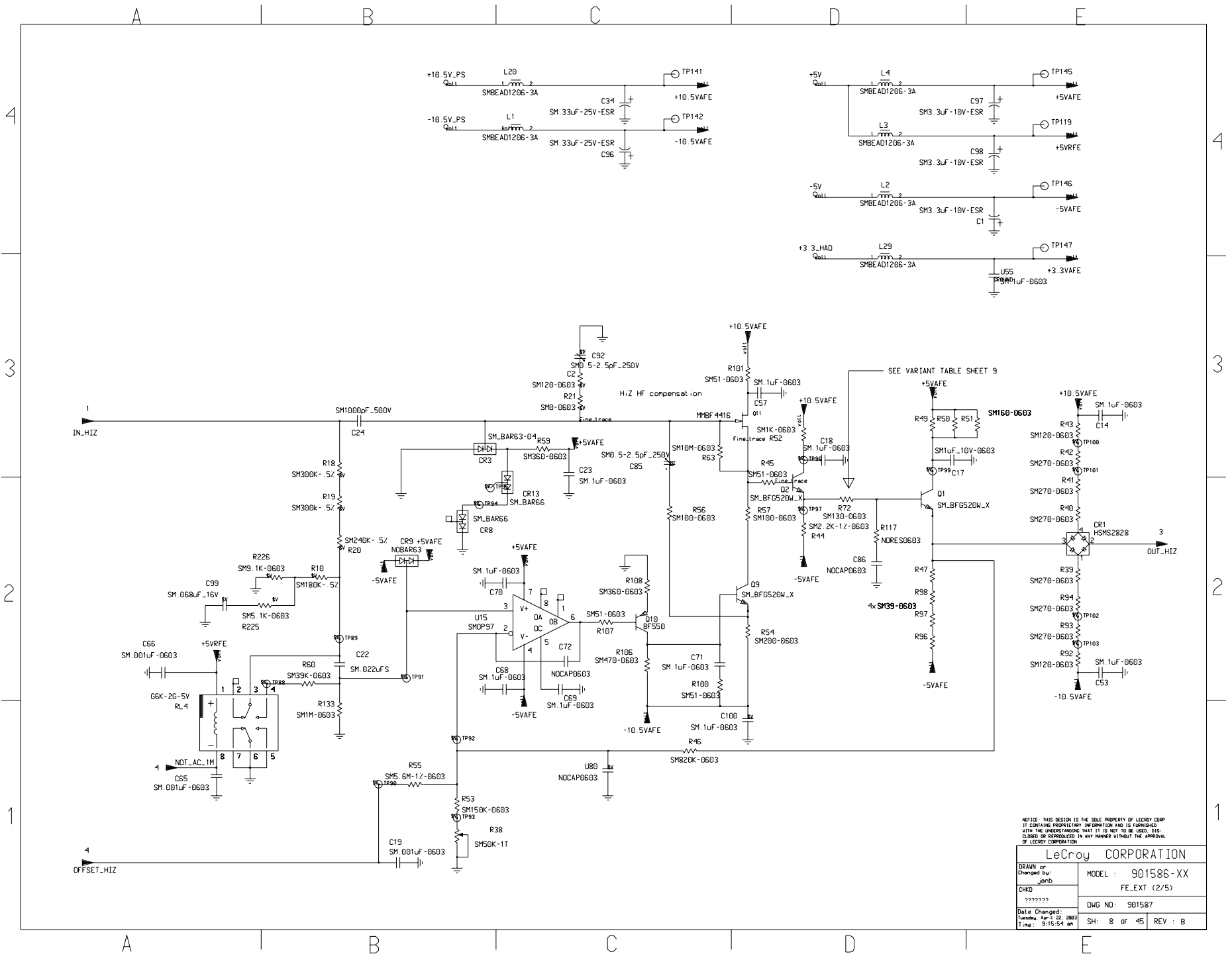
NOTICE: THIS DESIGN IS THE SOLE PROPERTY OF LECROY CORP. IT CONTAINS PROPRIETARY INFORMATION AND IS FURNISHED WITH THE UNDERSTANDING THAT IT IS NOT TO BE USED, DISCLOSED OR REPRODUCED IN ANY MANNER WITHOUT THE APPROVAL OF LECROY CORPORATION.

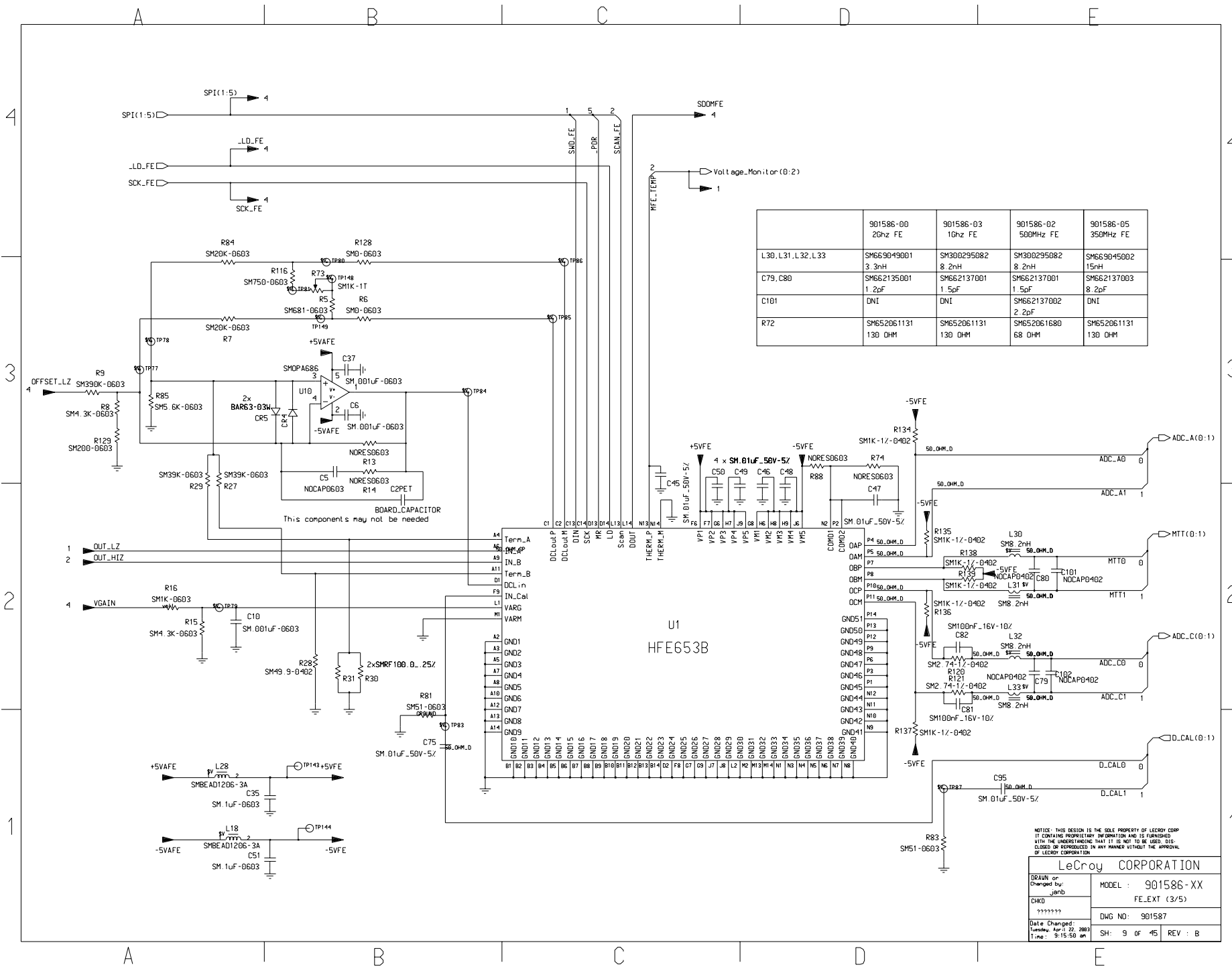
LeCroy CORPORATION	
DRAWN or Changed by: _jamb	MODEL : 901586-XX
CHKD ???????	FE CARD (5/5)
Date Changed: Tuesday, Apr 12, 2011 Time: 9:15:53 am	DWG NO: 901587
	SH: 6 OF 45 REV : B



NOTICE: THIS DESIGN IS THE SOLE PROPERTY OF LEADROY CORP
IT CONTAINS PROPRIETARY INFORMATION AND IS FURNISHED
WITH THE UNDERSTANDING THAT IT IS NOT TO BE USED, DIS-
CLOSED OR REPRODUCED IN ANY MANNER WITHOUT THE APPROVAL
OF LEADROY CORPORATION.

LeCroy CORPORATION	
DRAWN or Changed by: jamb	MODEL : 901586-XX
CHKD ???????	FE_EXT (1/5)
Date Changed: Tuesday, Apr 23, 2003 Time: 9:15:50 am	DWG NO: 901587
	SH: 7 of 45 REV : B



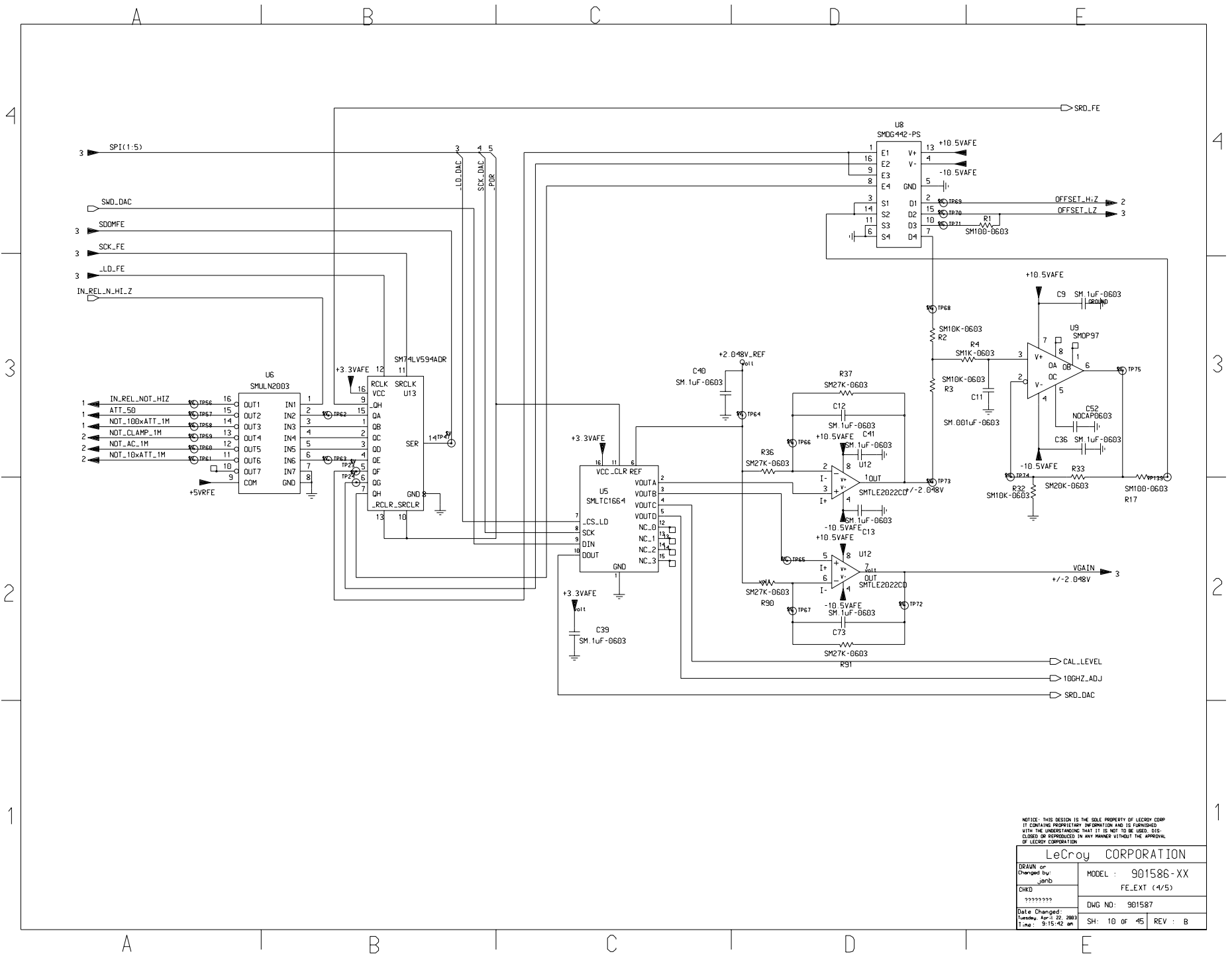


	901586-00 2Ghz FE	901586-03 1Ghz FE	901586-02 500MHz FE	901586-05 350MHz FE
L30, L31, L32, L33	SM669049001 3.3nH	SM300295082 8.2nH	SM300295082 8.2nH	SM669045002 15nH
C79, C80	SM662135001 1.2pF	SM662137001 1.5pF	SM662137001 1.5pF	SM662137003 8.2pF
C101	DNI	DNI	SM662137002 2.2pF	DNI
R72	SM652061131 130 OHM	SM652061131 130 OHM	SM652061680 68 OHM	SM652061131 130 OHM

NOTICE: THIS DESIGN IS THE SOLE PROPERTY OF LECROY CORP. IT CONTAINS PROPRIETARY INFORMATION AND IS FURNISHED WITH THE UNDERSTANDING THAT IT IS NOT TO BE USED, DISCLOSED OR REPRODUCED IN ANY MANNER WITHOUT THE APPROVAL OF LECROY CORPORATION.

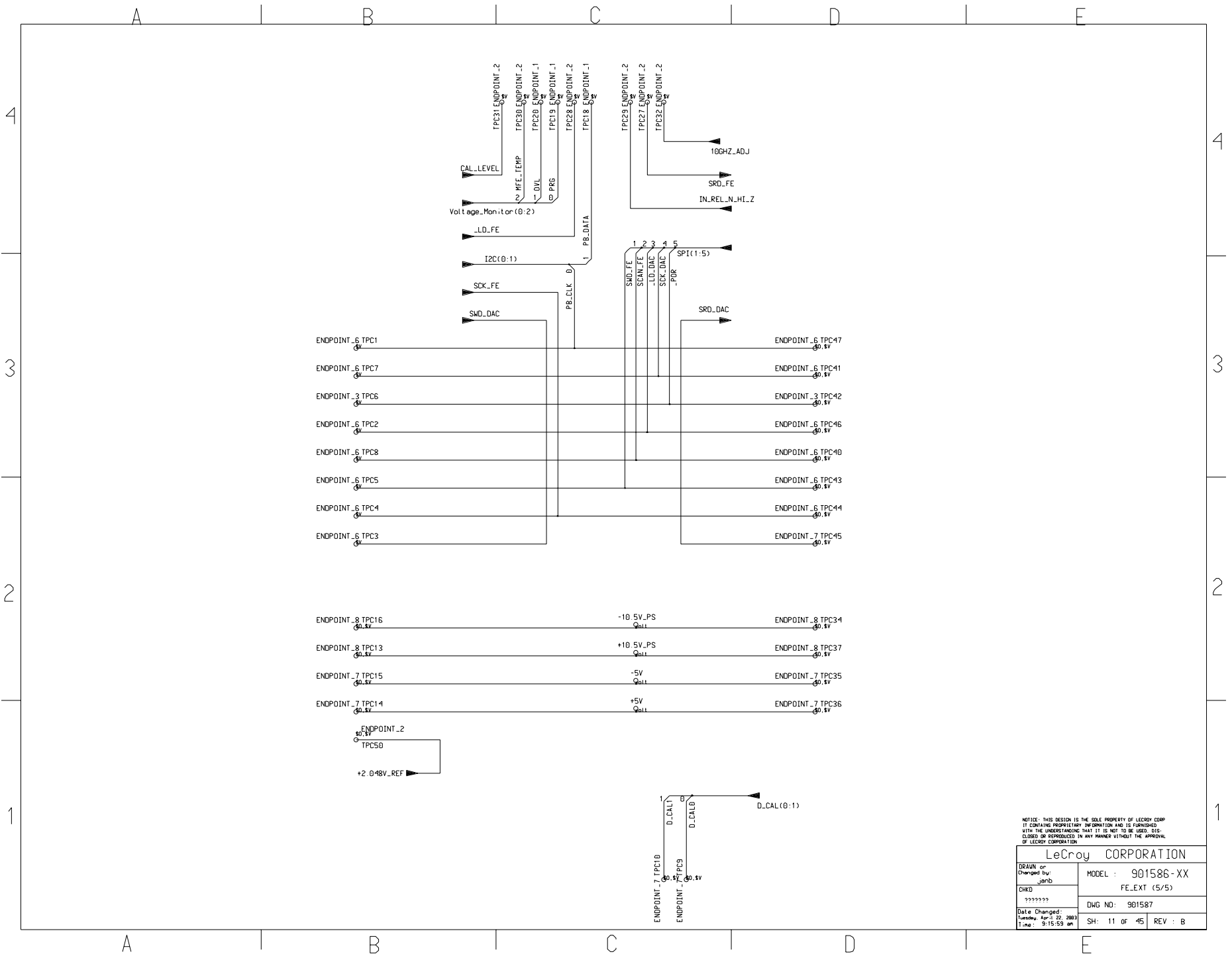
LeCroy CORPORATION

BRAUN or Changed by: jamb	MODEL : 901586-XX
CHKD	FE_EXT (3/5)
???????	DWG NO: 901587
Date Changed: Tuesday, Apr 12, 2011 Time: 9:15:50 am	SH: 9 of 45 REV : B



NOTICE: THIS DESIGN IS THE SOLE PROPERTY OF LECROY CORP. IT CONTAINS PROPRIETARY INFORMATION AND IS FURNISHED WITH THE UNDERSTANDING THAT IT IS NOT TO BE USED, DISCLOSED OR REPRODUCED IN ANY MANNER WITHOUT THE APPROVAL OF LECROY CORPORATION.

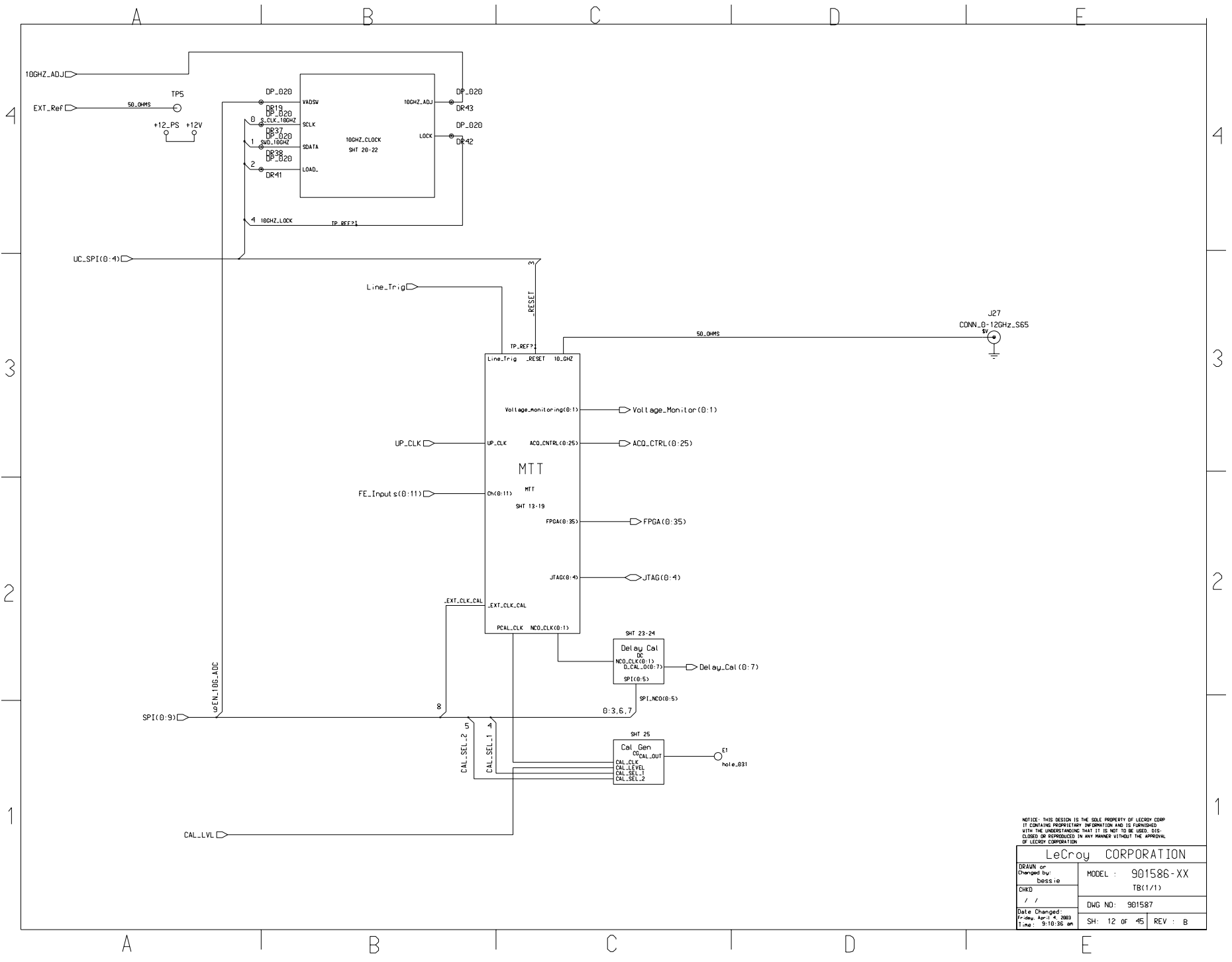
LeCroy CORPORATION	
BRAUN or Changed by: jamb	MODEL : 901586-XX
CHKD ????????	FE_EXT (4/5)
Date Changed: Tuesday, Apr 21, 2009 Time: 9:15:42 am	DWG NO: 901587
	SH: 10 OF 45 REV: B



NOTICE: THIS DESIGN IS THE SOLE PROPERTY OF LECROY CORP. IT CONTAINS PROPRIETARY INFORMATION AND IS FURNISHED WITH THE UNDERSTANDING THAT IT IS NOT TO BE USED, DISCLOSED OR REPRODUCED IN ANY MANNER WITHOUT THE APPROVAL OF LECROY CORPORATION.

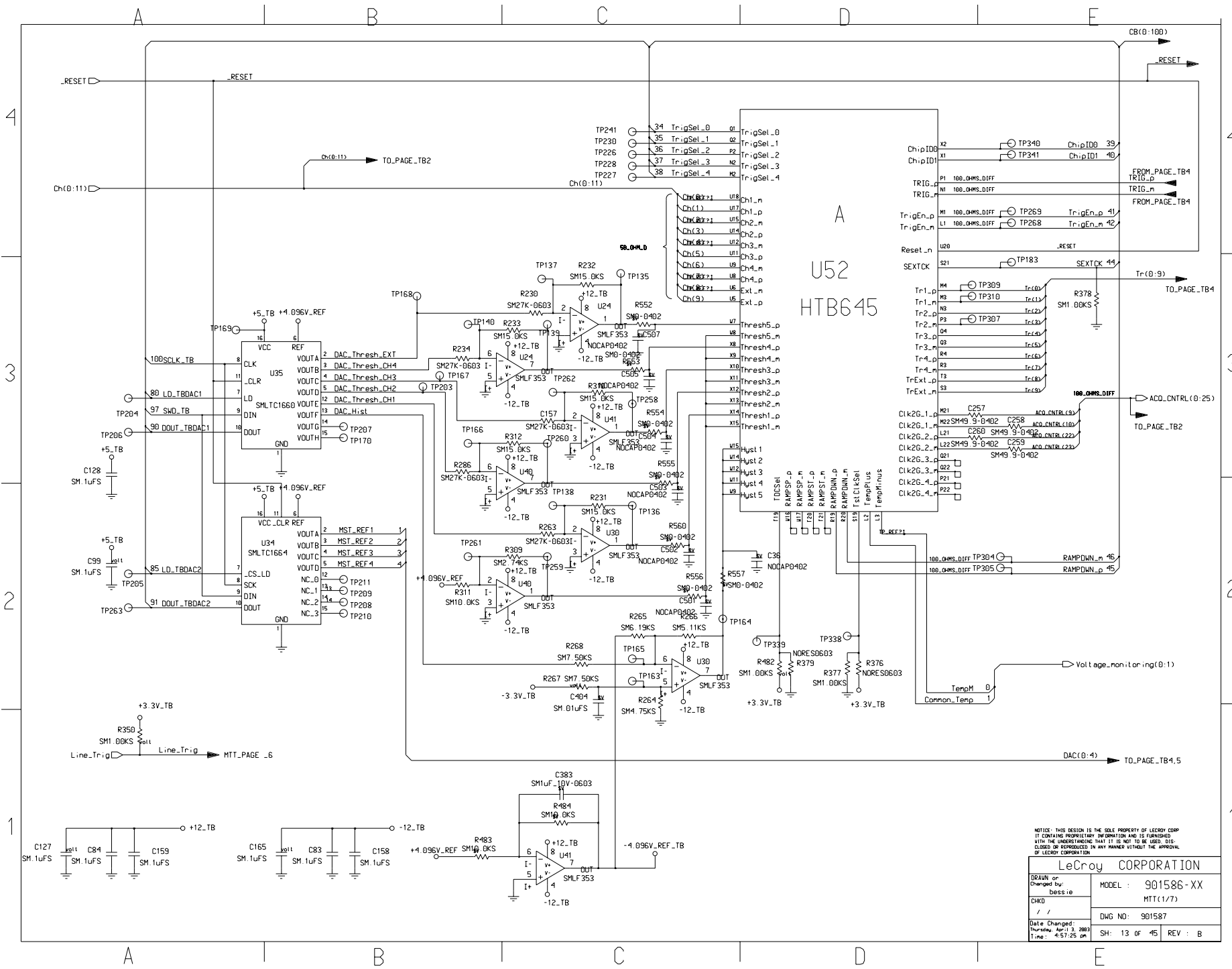
LeCroy CORPORATION

DRAWN BY: Changed By: jamb	MODEL : 901586-XX FE_EXT (5/5)
CHKD ???????	DWG NO: 901587
Date Changed: Tuesday, Apr 12, 2011 Time: 9:15:53 am	SH: 11 OF 45 REV : B



NOTICE: THIS DESIGN IS THE SOLE PROPERTY OF LECROY CORP. IT CONTAINS PROPRIETARY INFORMATION AND IS FURNISHED WITH THE UNDERSTANDING THAT IT IS NOT TO BE USED, DISCLOSED OR REPRODUCED IN ANY MANNER WITHOUT THE APPROVAL OF LECROY CORPORATION.

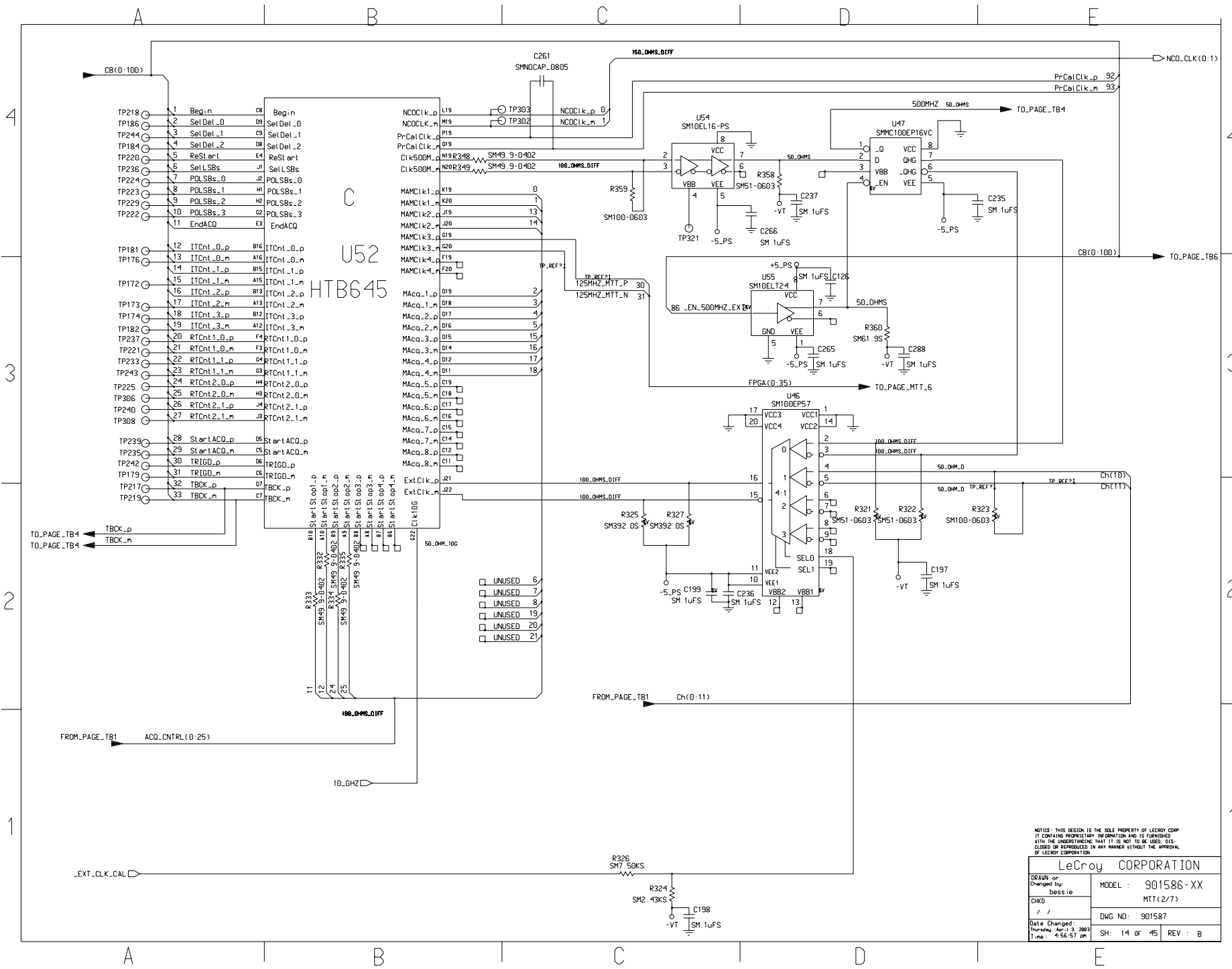
LeCroy CORPORATION	
DRAWN or Changed by: bessie	MODEL : 901586-XX TB(1/1)
CHKD / /	DWG NO: 901587
Date Changed: Friday, April 4, 2003 Time : 9:10:36 am	SH: 12 OF 45 REV : B



NOTICE: THIS DESIGN IS THE SOLE PROPERTY OF LEADCO CORP. IT CONTAINS PROPRIETARY INFORMATION AND IS FURNISHED WITH THE UNDERSTANDING THAT IT IS NOT TO BE USED, DISCLOSED OR REPRODUCED IN ANY MANNER WITHOUT THE APPROVAL OF LEADCO CORPORATION.

LeCroy CORPORATION

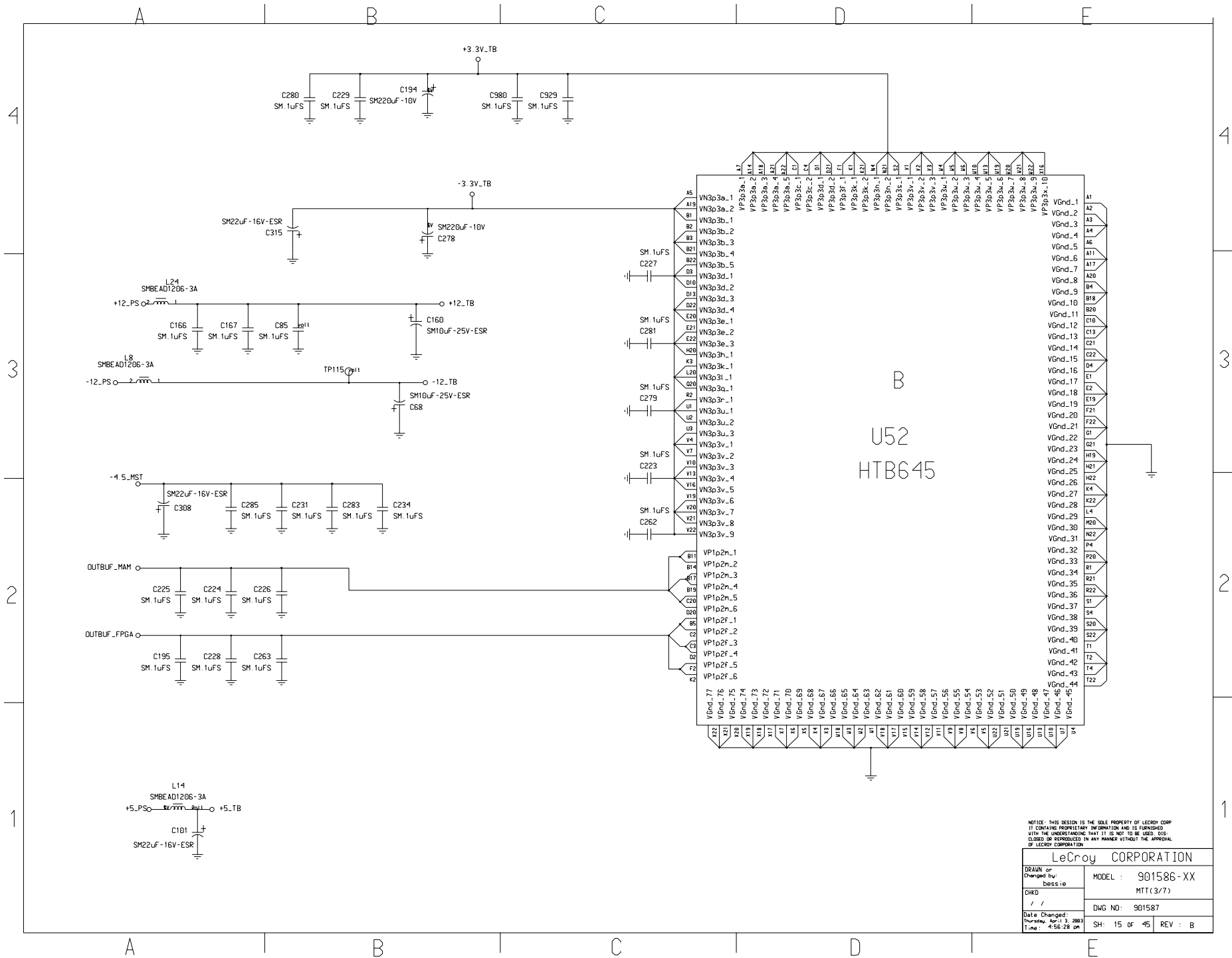
DRAWN or Changed by: bessio	MODEL : 901586-XX MTT(1/7)
CHKD / /	DWG NO: 901587
Date Changed: Thursday, Apr 1 2, 2003 Time: 4:57:25 pm	SH: 13 of 45 REV : B



NOTICE: THIS DESIGN IS THE SOLE PROPERTY OF LECROY CORP. IT CONTAINS PROPRIETARY INFORMATION AND IS FURNISHED WITH THE UNDERSTANDING THAT IT IS NOT TO BE USED, DISCLOSED OR REPRODUCED IN ANY MANNER WITHOUT THE APPROVAL OF LECROY CORPORATION.

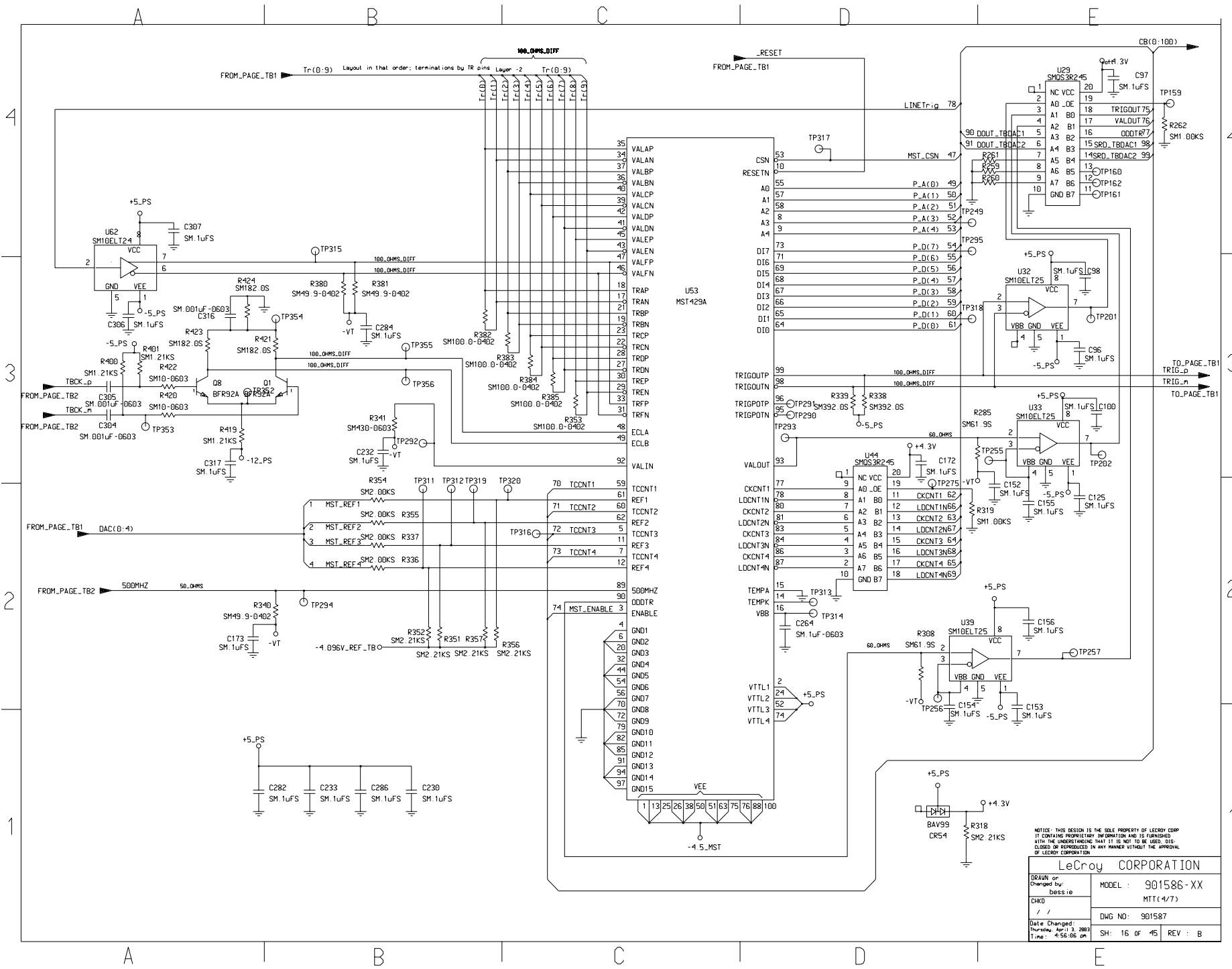
LeCroy CORPORATION

DRAWN or Changed by: bessio	MODEL : 901586-XX
CHKD / /	MTT (2/7)
Date Changed: Thursday, April 2, 2003 Time: 4:56:57 pm	DWG NO: 901587
	SH: 14 OF 45 REV : B



NOTICE: THIS DESIGN IS THE SOLE PROPERTY OF LECROY CORP. IT CONTAINS PROPRIETARY INFORMATION AND IS FURNISHED WITH THE UNDERSTANDING THAT IT IS NOT TO BE USED, DISCLOSED OR REPRODUCED IN ANY MANNER WITHOUT THE APPROVAL OF LECROY CORPORATION.

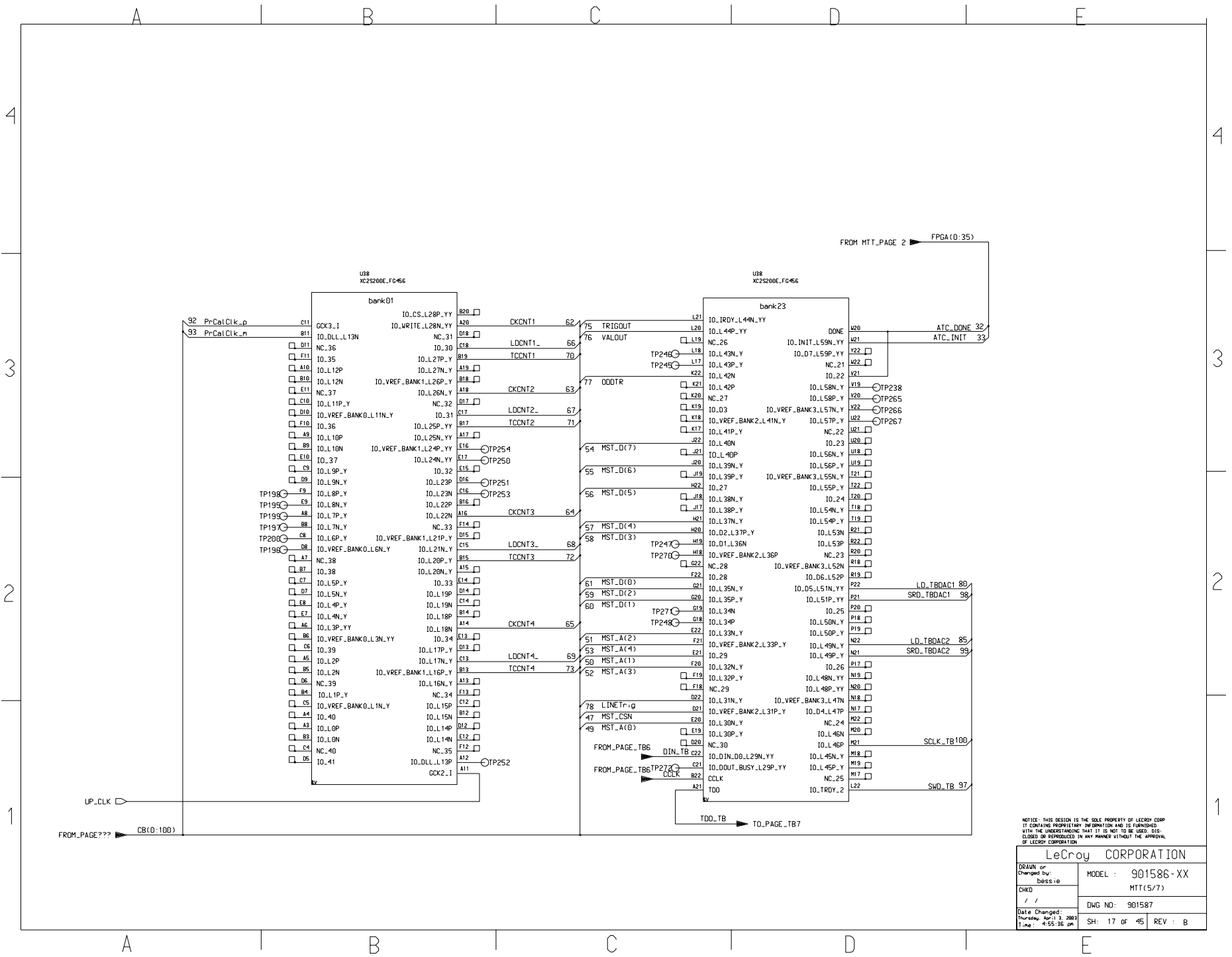
LeCroy CORPORATION	
DRAUN or Changed by: bessie	MODEL : 901586-XX
CHKD / /	MTT (3/7)
Date Changed: Thu Mar 1 2 2003 Time: 4:56:28 pm	DWG NO: 901587
	SH: 15 of 45 REV: B



NOTICE: THIS DESIGN IS THE SOLE PROPERTY OF LECROY CORP. IT CONTAINS PROPRIETARY INFORMATION AND IS FURNISHED WITH THE UNDERSTANDING THAT IT IS NOT TO BE USED, DISCLOSED OR REPRODUCED IN ANY MANNER WITHOUT THE APPROVAL OF LECROY CORPORATION.

LeCroy CORPORATION

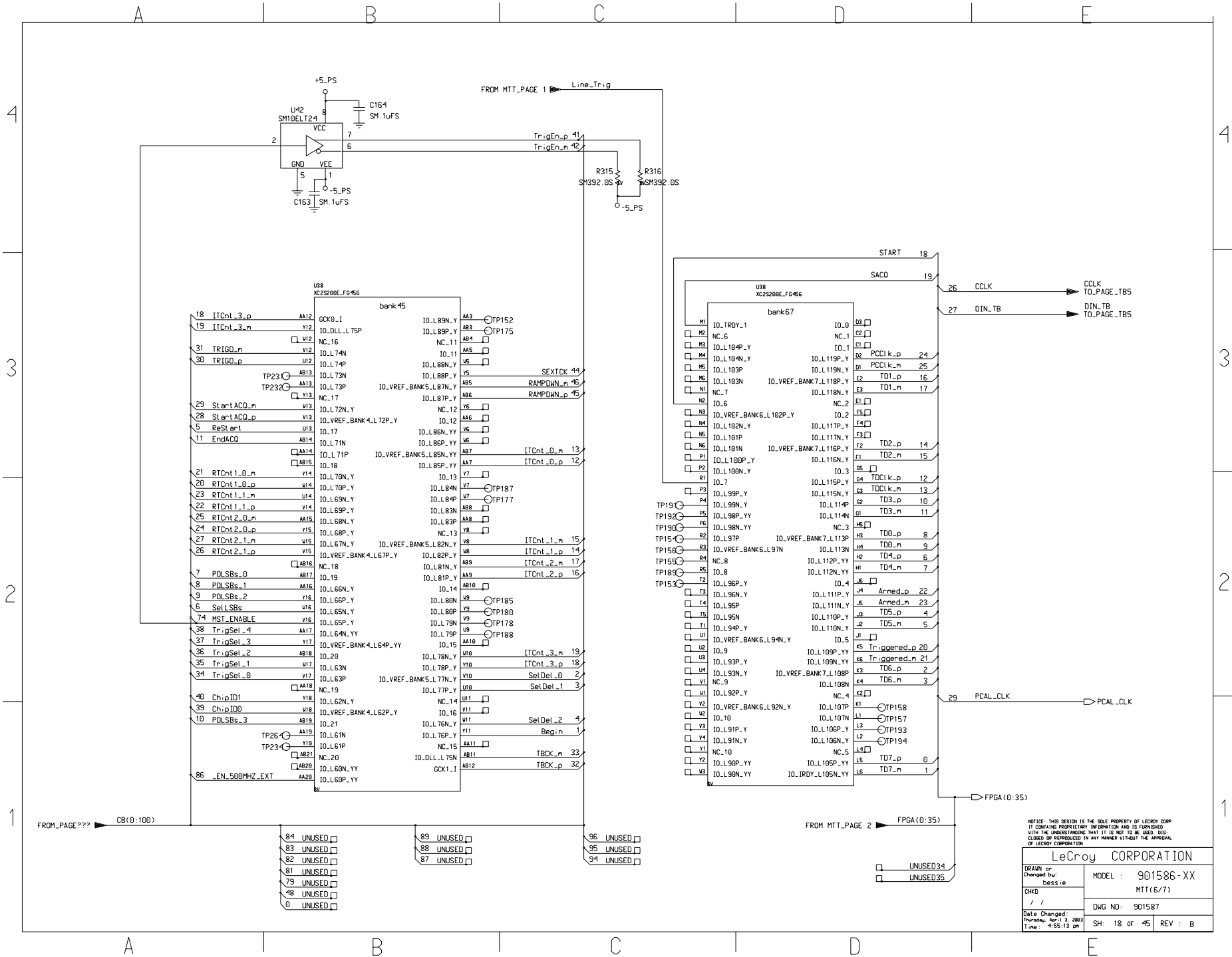
DRAUN or Changed by: bessio CHKD / / Date Changed: Thursday, April 2, 2003 Time: 4:56:00 pm	MODEL : 901586-XX MTT (4/7) DWG NO: 901587 SH: 16 OF 45 REV : B
--	--



NOTICE: THIS DESIGN IS THE SOLE PROPERTY OF LECROY CORP. IT CONTAINS PROPRIETARY INFORMATION AND IS FURNISHED WITH THE UNDERSTANDING THAT IT IS NOT TO BE USED, DISCLOSED OR REPRODUCED IN ANY MANNER WITHOUT THE APPROVAL OF LECROY CORPORATION.

LeCroy CORPORATION

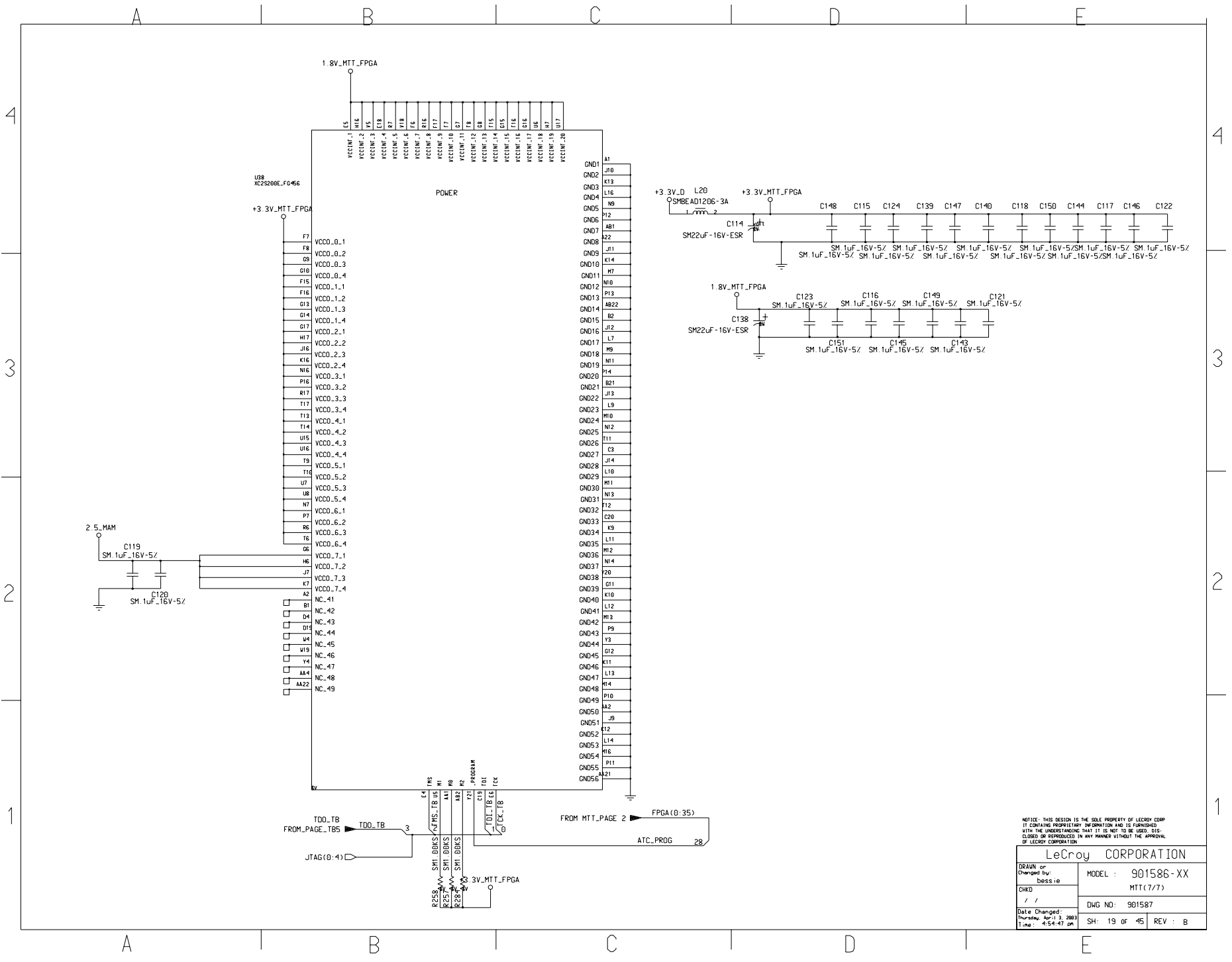
DRAWN or Changed by: bessie	MODEL : 901586-XX
CHKD / /	MTT (5/7)
Date Changed: Thursday, April 2, 2009 Time: 4:55:36 pm	DWG NO: 901587
	SH: 17 OF 45 REV : B



NOTICE: THIS DESIGN IS THE SOLE PROPERTY OF LECROY CORP. IT CONTAINS PROPRIETARY INFORMATION AND IS FURNISHED WITH THE UNDERSTANDING THAT IT IS NOT TO BE USED, DISCLOSED OR REPRODUCED IN ANY MANNER WITHOUT THE APPROVAL OF LECROY CORPORATION.

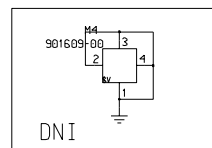
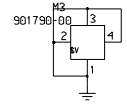
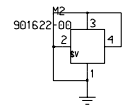
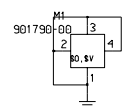
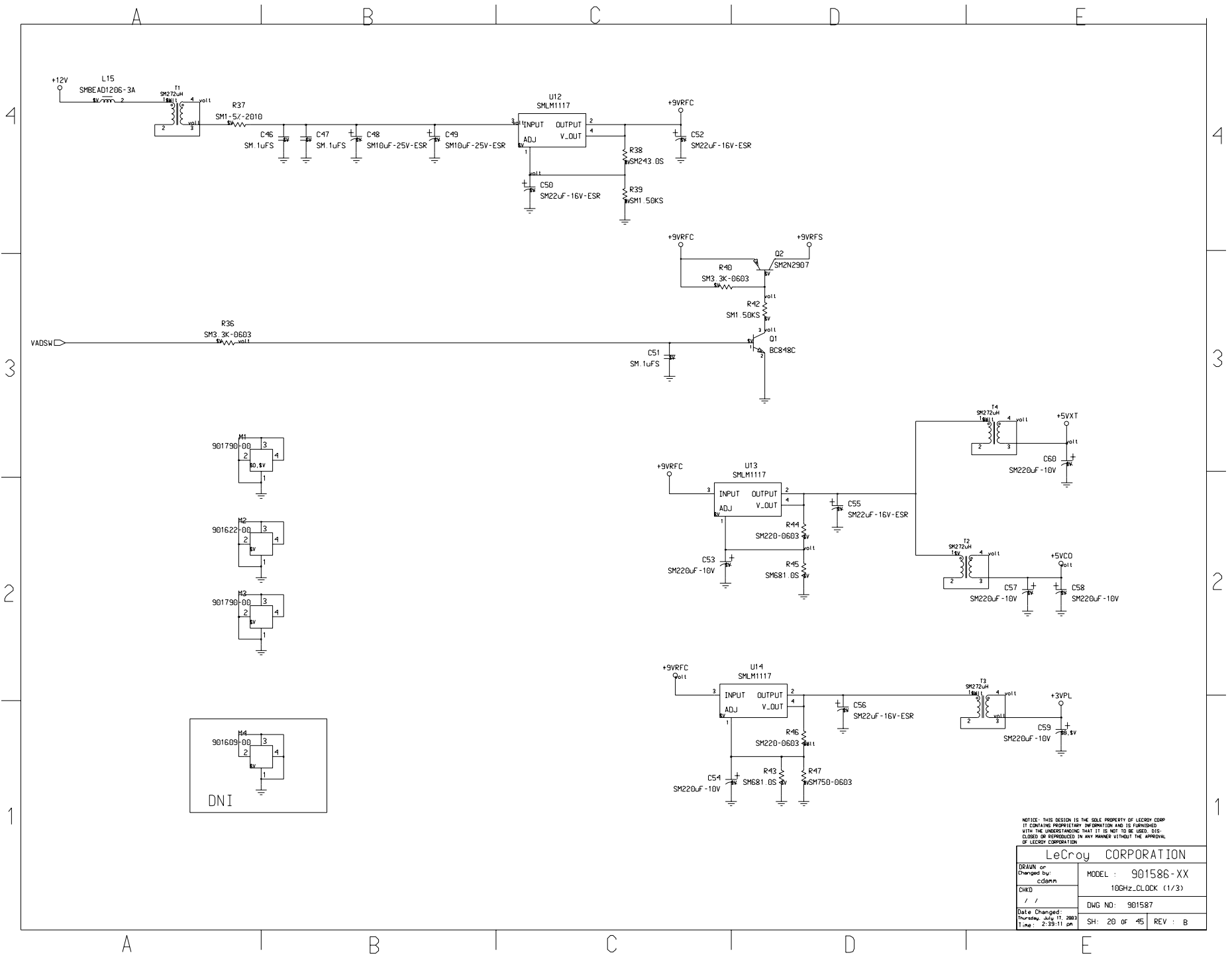
LeCroy CORPORATION

DRAWN or Changed by: bessie	MODEL : 901586-XX MTT (6/7)
CHKD / /	DWG NO: 901587
Date Changed: Thursday, April 23, 2009 Time: 4:55:13 pm	SH: 18 of 45 REV : B



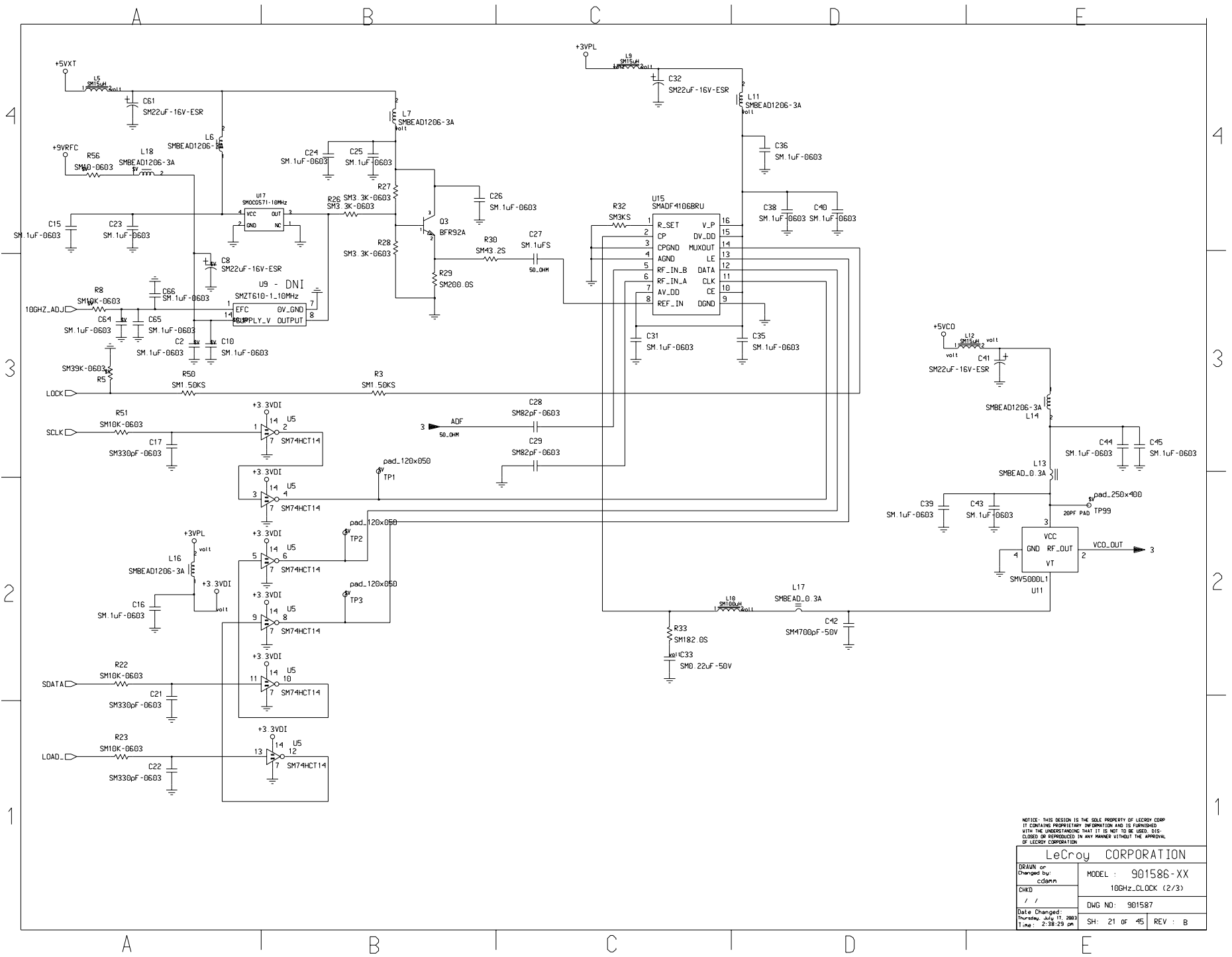
NOTICE: THIS DESIGN IS THE SOLE PROPERTY OF LECROY CORP. IT CONTAINS PROPRIETARY INFORMATION AND IS FURNISHED WITH THE UNDERSTANDING THAT IT IS NOT TO BE USED, DISCLOSED OR REPRODUCED IN ANY MANNER WITHOUT THE APPROVAL OF LECROY CORPORATION.

LeCroy CORPORATION	
BRAUN or Changed by: bessie	MODEL : 901586-XX
CHKD / /	MTT (7/7)
Date Changed: Thursday, Apr 1 2, 2005 Time: 4:54:47 pm	DWG NO: 901587
	SH: 19 OF 45 REV : B



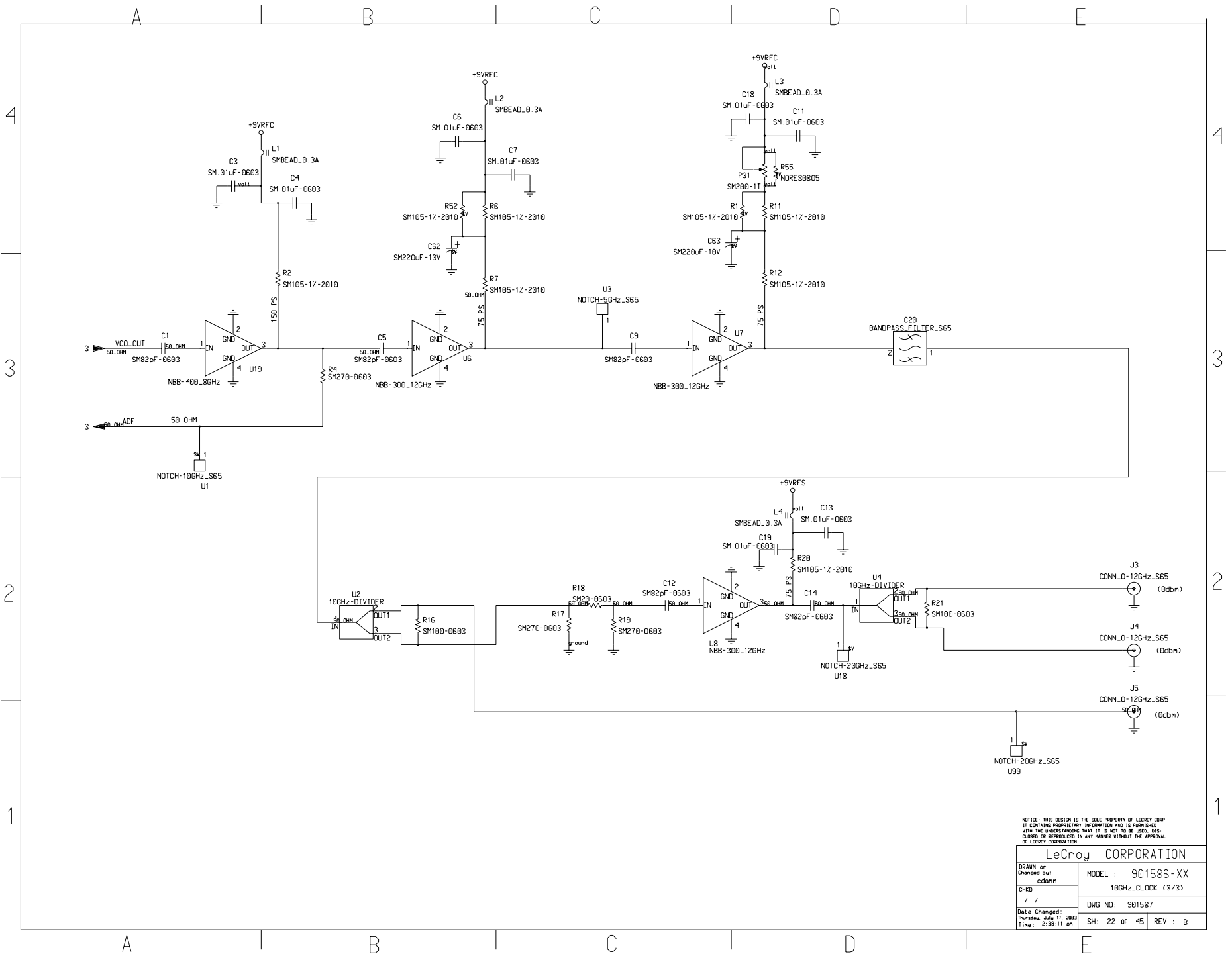
NOTICE: THIS DESIGN IS THE SOLE PROPERTY OF LECROY CORP. IT CONTAINS PROPRIETARY INFORMATION AND IS FURNISHED WITH THE UNDERSTANDING THAT IT IS NOT TO BE USED, DISCLOSED OR REPRODUCED IN ANY MANNER WITHOUT THE APPROVAL OF LECROY CORPORATION.

LeCroy CORPORATION	
DRAWN or Changed by: cdsmm	MODEL : 901586-XX
CHKD / /	10GHz_CLOCK (1/3)
Date Changed: Thursday, July 11, 2003 Time: 2:53:11 pm	DWG NO: 901587
	SH: 20 OF 45 REV : B



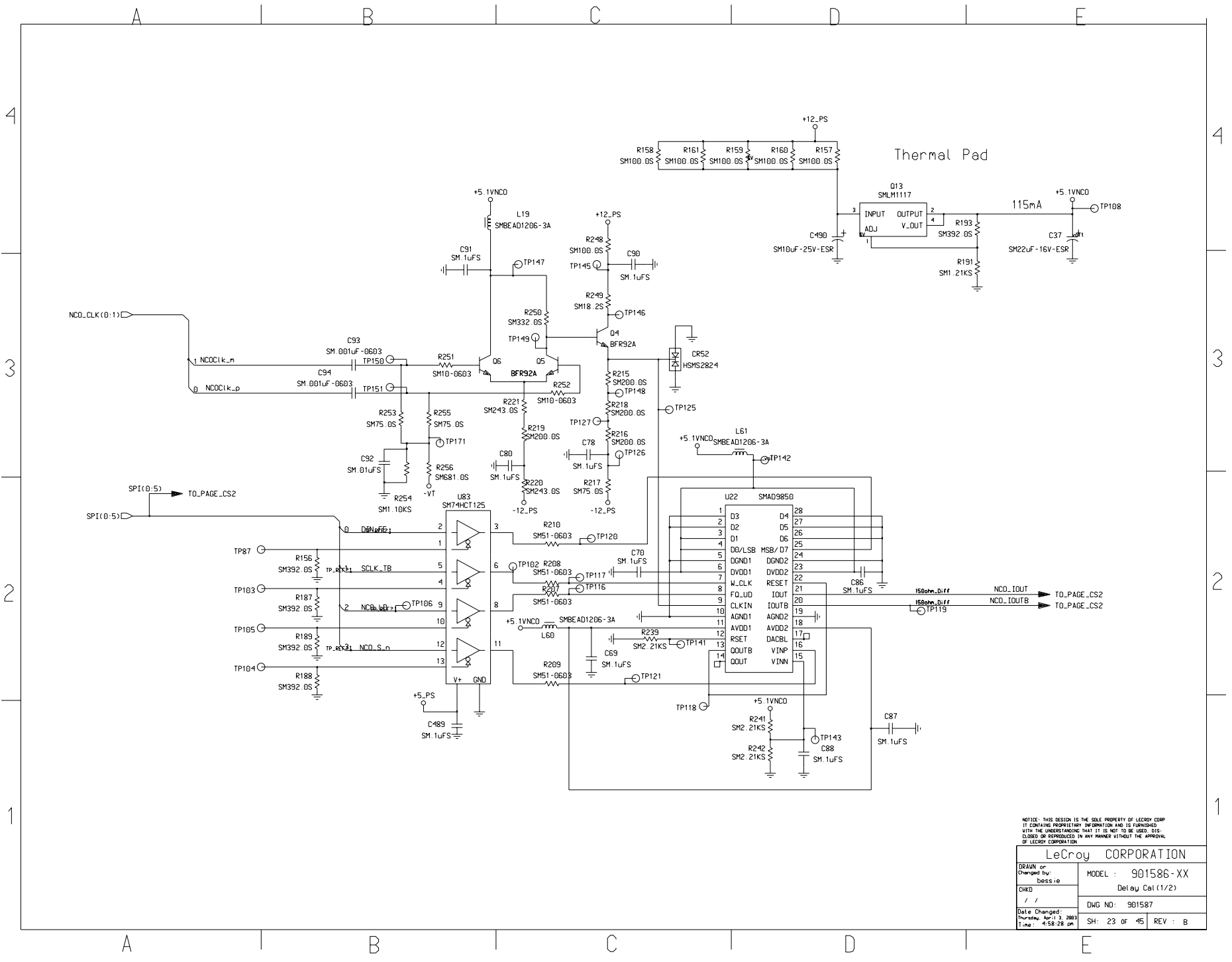
NOTICE: THIS DESIGN IS THE SOLE PROPERTY OF LECROY CORP. IT CONTAINS PROPRIETARY INFORMATION AND IS FURNISHED WITH THE UNDERSTANDING THAT IT IS NOT TO BE USED, DISCLOSED OR REPRODUCED IN ANY MANNER WITHOUT THE APPROVAL OF LECROY CORPORATION.

LeCroy CORPORATION	
DRAWN BY: Changed by: CHKD / /	MODEL : 901586-XX 10GHz-CLCCK (2/3) DWG NO: 901587
Date Changed: Thursday, July 11, 2003 Time: 2:33:23 pm	SH: 21 OF 45 REV : B



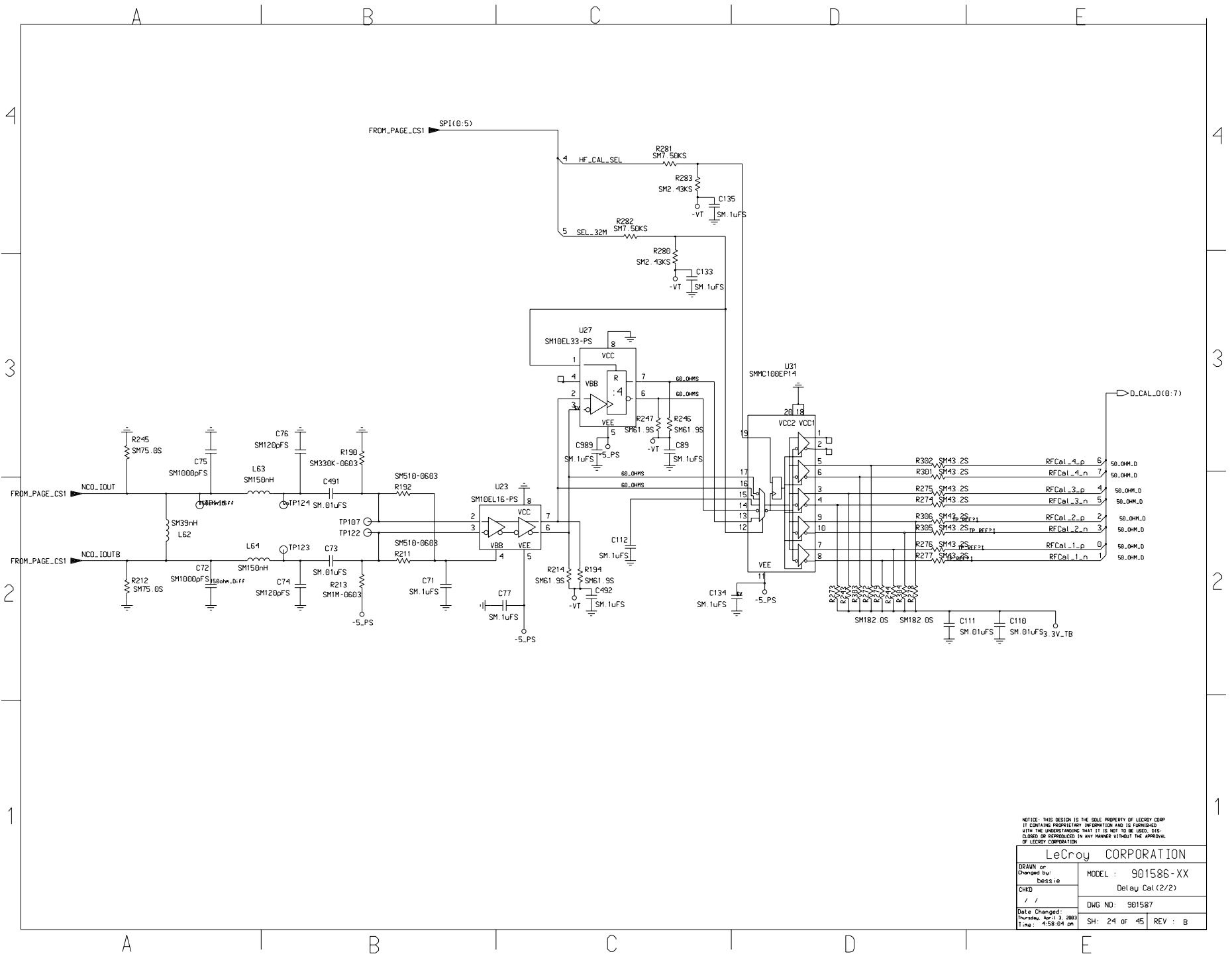
NOTICE: THIS DESIGN IS THE SOLE PROPERTY OF LECROY CORP. IT CONTAINS PROPRIETARY INFORMATION AND IS FURNISHED WITH THE UNDERSTANDING THAT IT IS NOT TO BE USED, DISCLOSED OR REPRODUCED IN ANY MANNER WITHOUT THE APPROVAL OF LECROY CORPORATION.

LeCroy CORPORATION	
DRAWN BY: cdsmm	MODEL: 901586-XX
CHKD: / /	10GHz_CLOCK (3/3)
Date Changed: Thursday, July 11, 2003 Time: 2:35:11 pm	DWG NO: 901587
	SH: 22 OF 45 REV: B



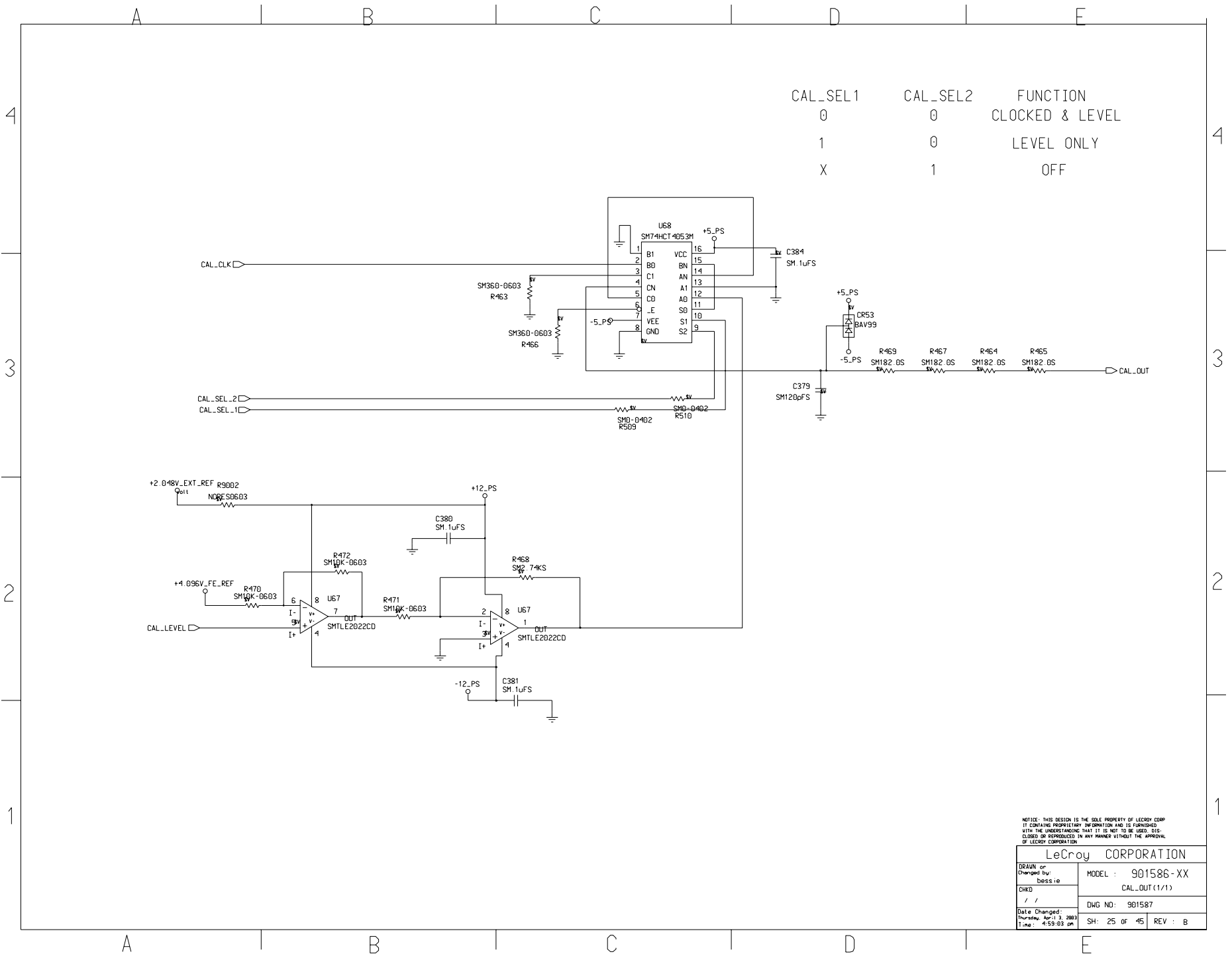
NOTICE: THIS DESIGN IS THE SOLE PROPERTY OF LECROY CORP. IT CONTAINS PROPRIETARY INFORMATION AND IS FURNISHED WITH THE UNDERSTANDING THAT IT IS NOT TO BE USED, DISCLOSED OR REPRODUCED IN ANY MANNER WITHOUT THE APPROVAL OF LECROY CORPORATION.

LeCroy CORPORATION	
DRAWN or Changed by: bessie	MODEL : 901586-XX
CHKD / /	Del'au Cal (1/2)
Date Changed: Thursday, Apr 13, 2006 Time: 4:58:28 pm	DWG NO: 901587
	SH: 23 OF 45 REV : B



NOTICE: THIS DESIGN IS THE SOLE PROPERTY OF LECROY CORP. IT CONTAINS PROPRIETARY INFORMATION AND IS FURNISHED WITH THE UNDERSTANDING THAT IT IS NOT TO BE USED, DISCLOSED OR REPRODUCED IN ANY MANNER WITHOUT THE APPROVAL OF LECROY CORPORATION.

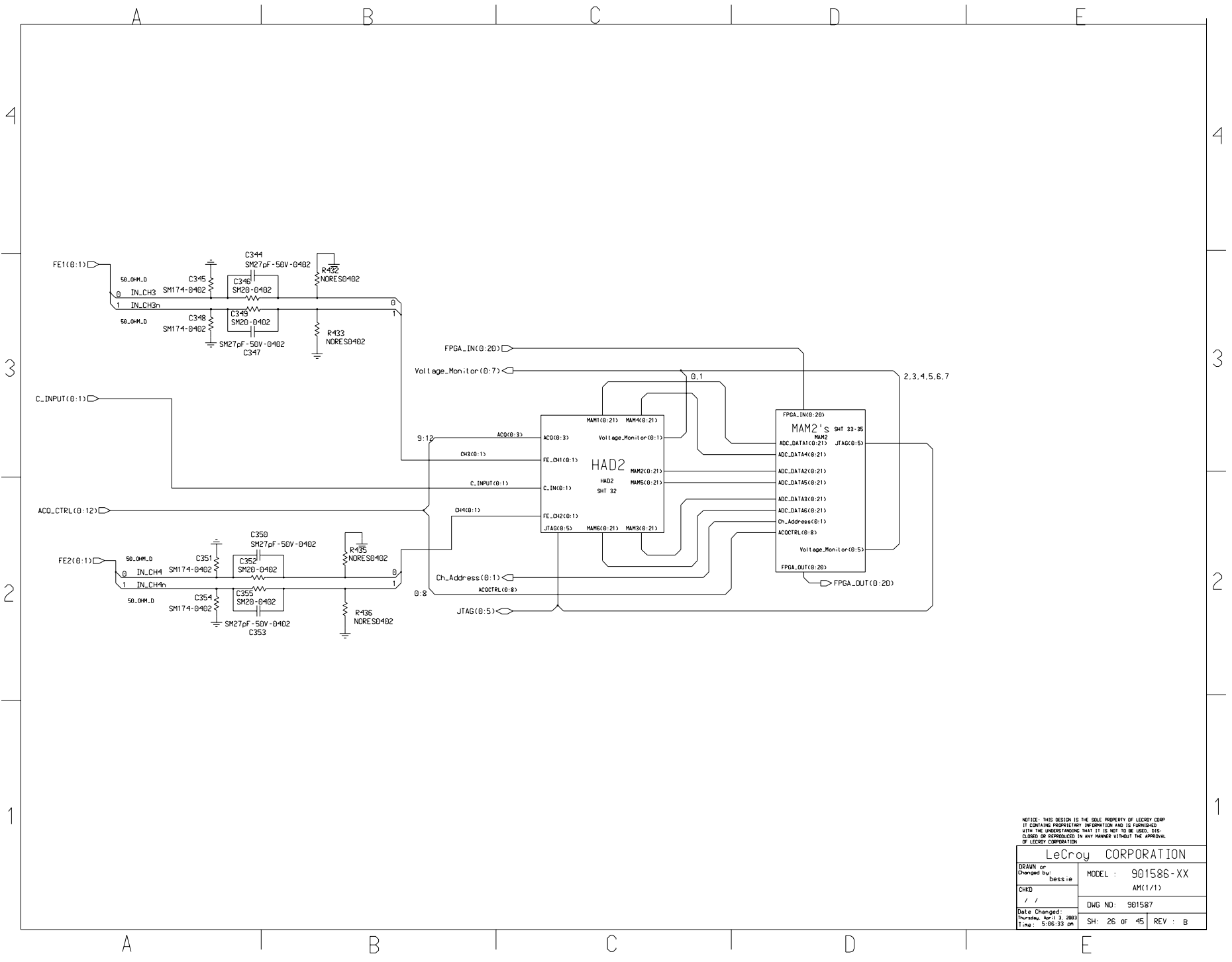
LeCroy CORPORATION	
DRAWN or Changed by: bessie	MODEL : 901586-XX
CHKD / /	Delay Cal (2/2)
Date Changed: Thursday, April 2, 2003 Time: 4:58:04 pm	DWG NO: 901587
	SH: 24 OF 45 REV : B



CAL_SEL1	CAL_SEL2	FUNCTION
0	0	CLOCKED & LEVEL
1	0	LEVEL ONLY
X	1	OFF

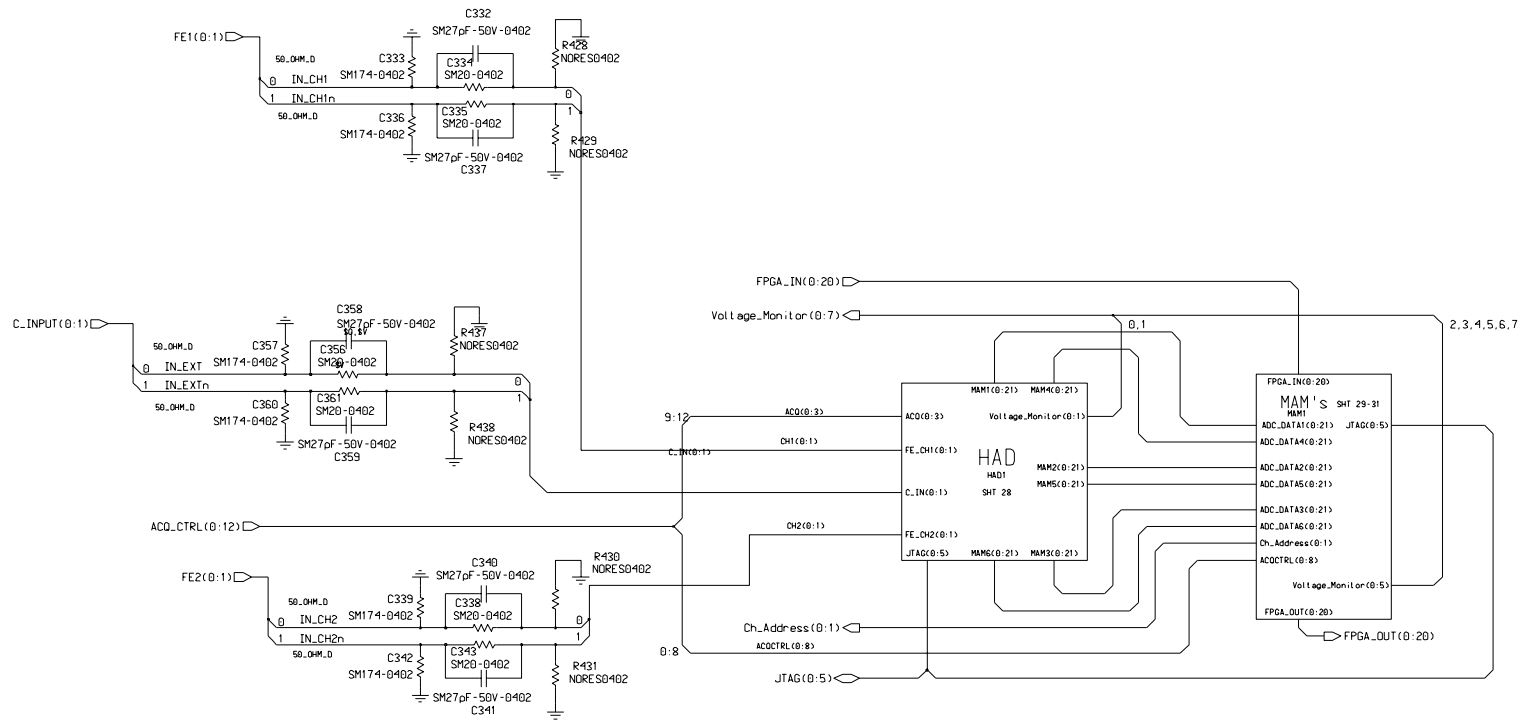
NOTICE: THIS DESIGN IS THE SOLE PROPERTY OF LECROY CORP. IT CONTAINS PROPRIETARY INFORMATION AND IS FURNISHED WITH THE UNDERSTANDING THAT IT IS NOT TO BE USED, DISCLOSED OR REPRODUCED IN ANY MANNER WITHOUT THE APPROVAL OF LECROY CORPORATION.

LeCroy CORPORATION	
DRAWN or Changed by: bessie	MODEL : 901586-XX
CHKD / /	CAL_OUT (1/1)
Date Changed: Thursday, Apr 1 2, 2003 Time: 4:53:03 pm	DWG NO: 901587
	SH: 25 OF 45 REV : B



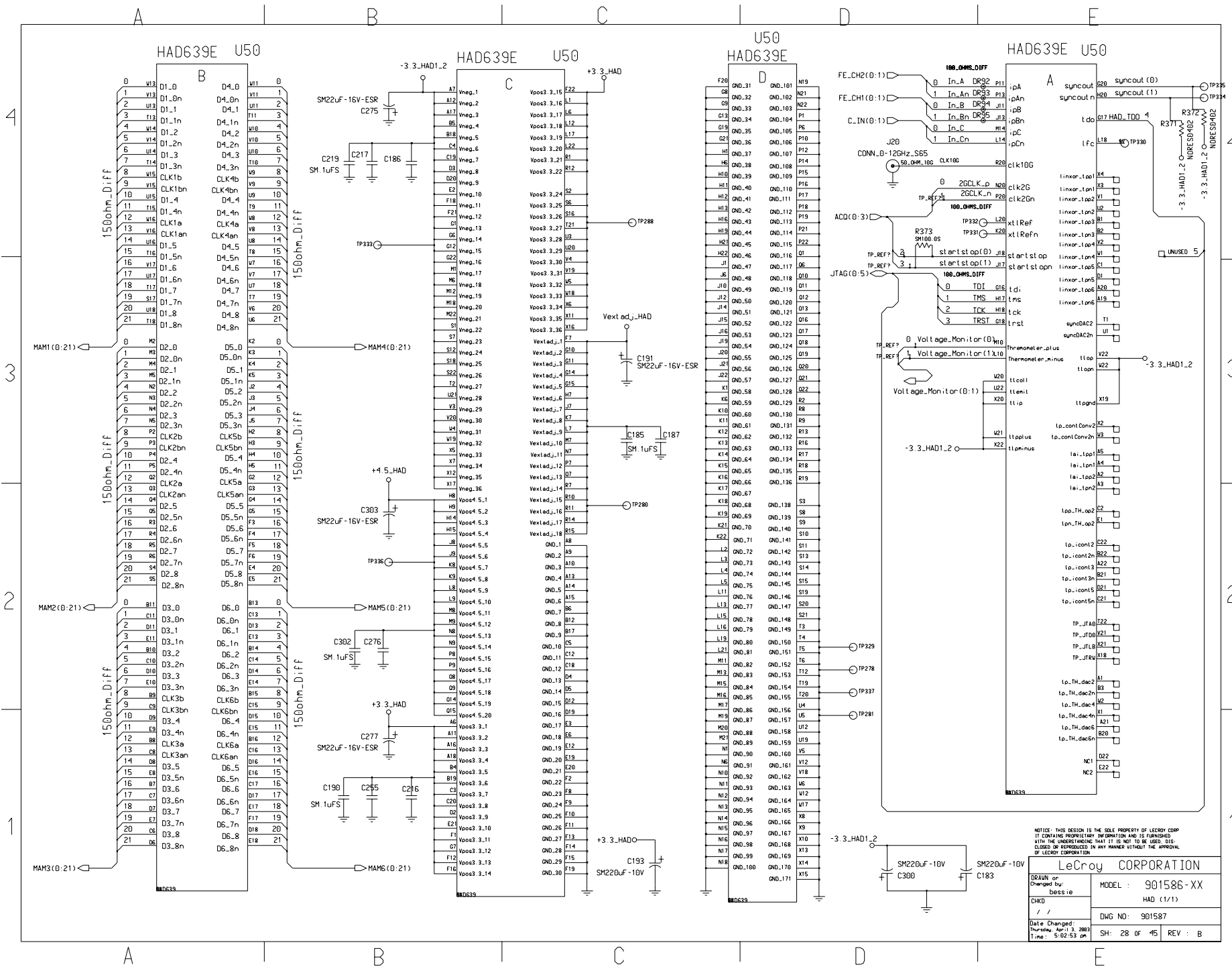
NOTICE: THIS DESIGN IS THE SOLE PROPERTY OF LECROY CORP. IT CONTAINS PROPRIETARY INFORMATION AND IS FURNISHED WITH THE UNDERSTANDING THAT IT IS NOT TO BE USED, DISCLOSED OR REPRODUCED IN ANY MANNER WITHOUT THE APPROVAL OF LECROY CORPORATION.

LeCroy CORPORATION	
DRAWN or Changed by: bessie	MODEL : 901586-XX
CHKD / /	AM(1/1)
Date Changed: Thursday, April 2, 2003 Time: 5:06:33 pm	DWG NO: 901587
	SH: 26 OF 45 REV : B



NOTICE: THIS DESIGN IS THE SOLE PROPERTY OF LECROY CORP. IT CONTAINS PROPRIETARY INFORMATION AND IS FURNISHED WITH THE UNDERSTANDING THAT IT IS NOT TO BE USED, DISCLOSED OR REPRODUCED IN ANY MANNER WITHOUT THE APPROVAL OF LECROY CORPORATION.

LeCroy CORPORATION	
DRAWN or Changed by: bessie	MODEL : 901586-XX
CHKD / /	AM(1/1)
Date Changed: Thursday, April 2, 2003 Time: 5:02:22 pm	DWG NO: 901587
	SH: 27 OF 45 REV : B

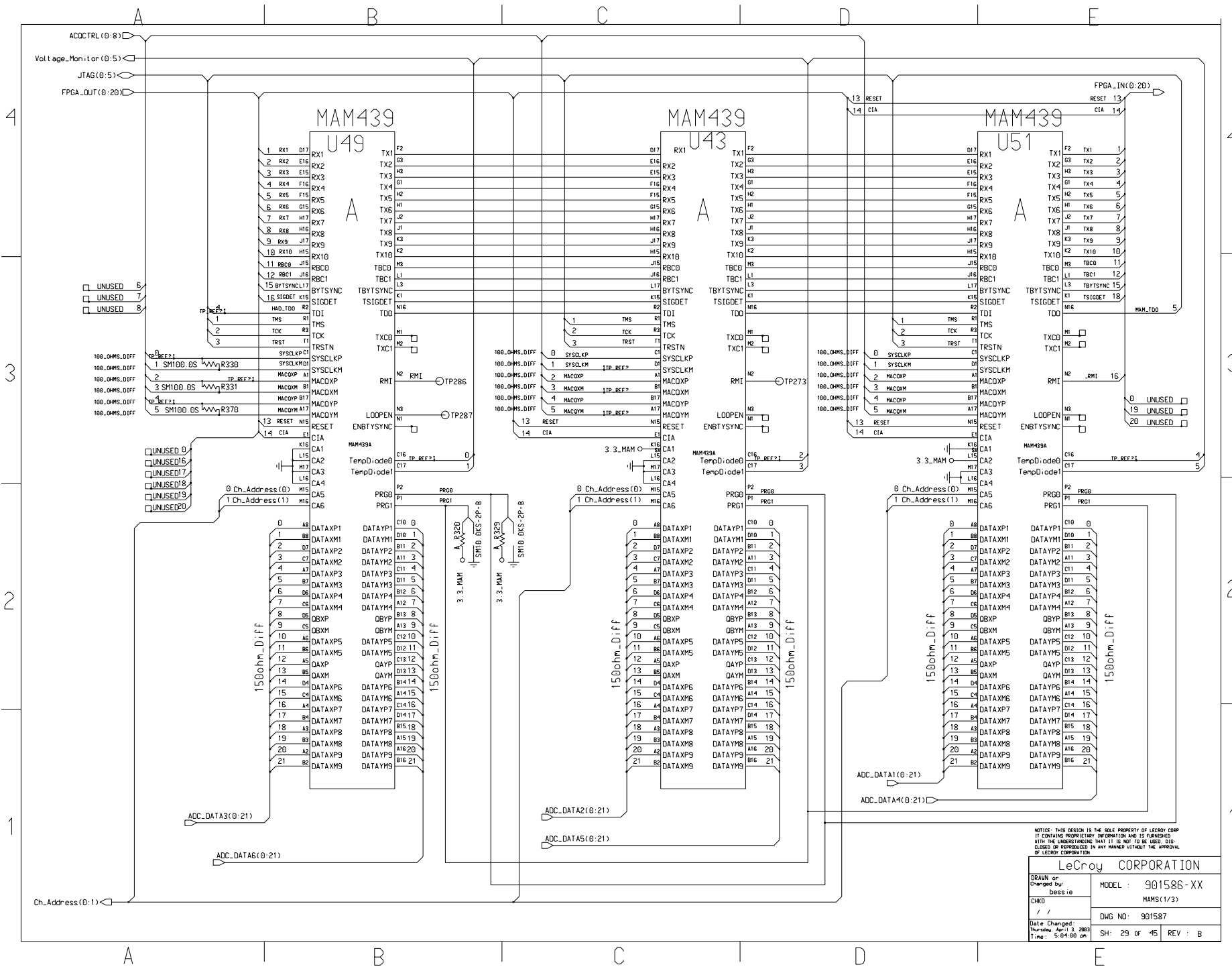


NOTICE: THIS DESIGN IS THE SOLE PROPERTY OF LECROY CORP. IT CONTAINS PROPRIETARY INFORMATION AND IS FURNISHED WITH THE UNDERSTANDING THAT IT IS NOT TO BE USED, DISCLOSED OR REPRODUCED IN ANY MANNER WITHOUT THE APPROVAL OF LECROY CORPORATION.

LeCroy CORPORATION

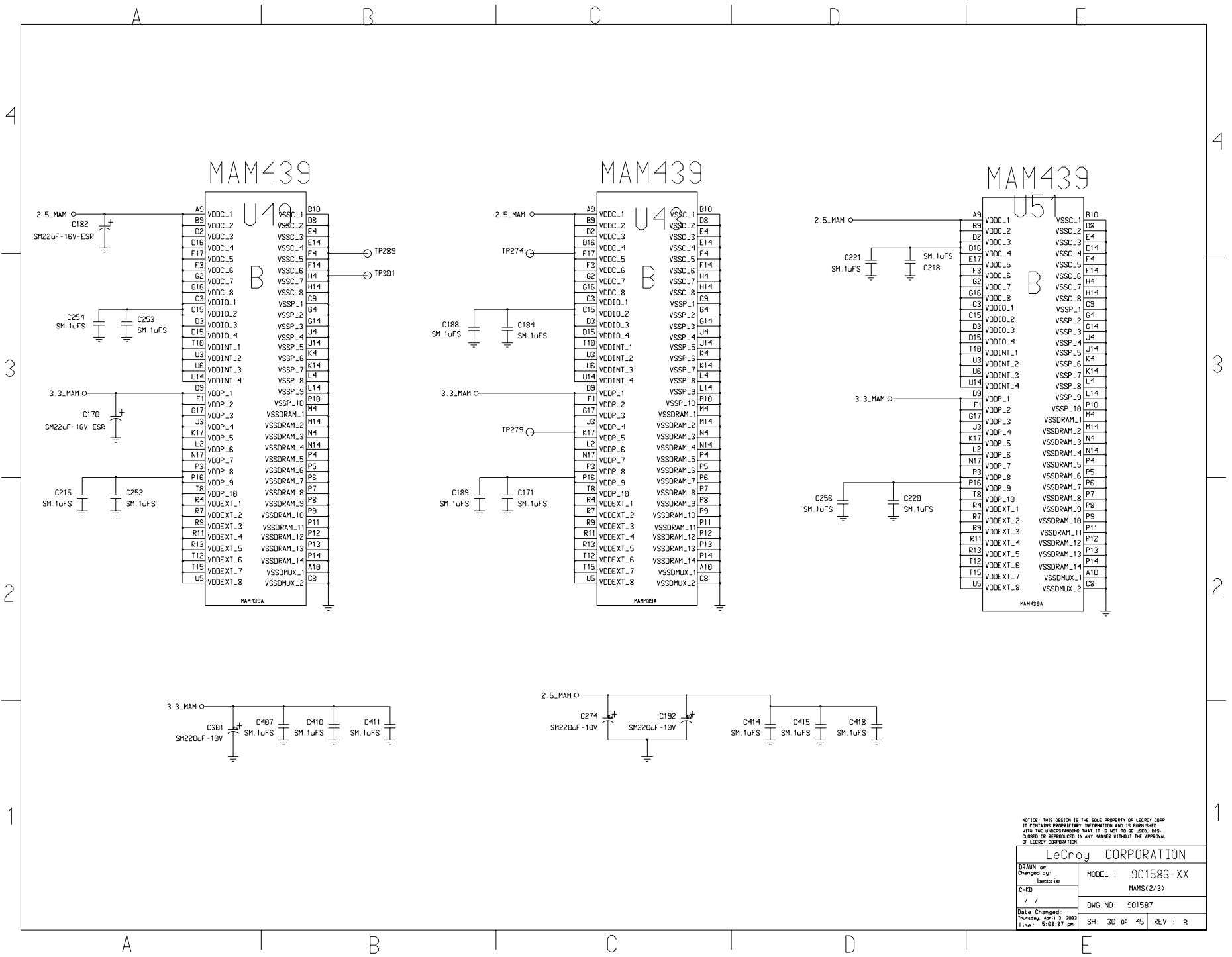
DRAWN or Changed by: bessio
 CHKD: HAD (1/1)
 Date Changed: 11/23/2009
 Time: 5:02:53 pm

MODEL: 901586-XX
 HAD (1/1)
 DWG NO: 901587
 SH: 28 OF 45 REV: B



NOTICE: THIS DESIGN IS THE SOLE PROPERTY OF LECROY CORP. IT CONTAINS PROPRIETARY INFORMATION AND IS FURNISHED WITH THE UNDERSTANDING THAT IT IS NOT TO BE USED, DISCLOSED OR REPRODUCED IN ANY MANNER WITHOUT THE APPROVAL OF LECROY CORPORATION.

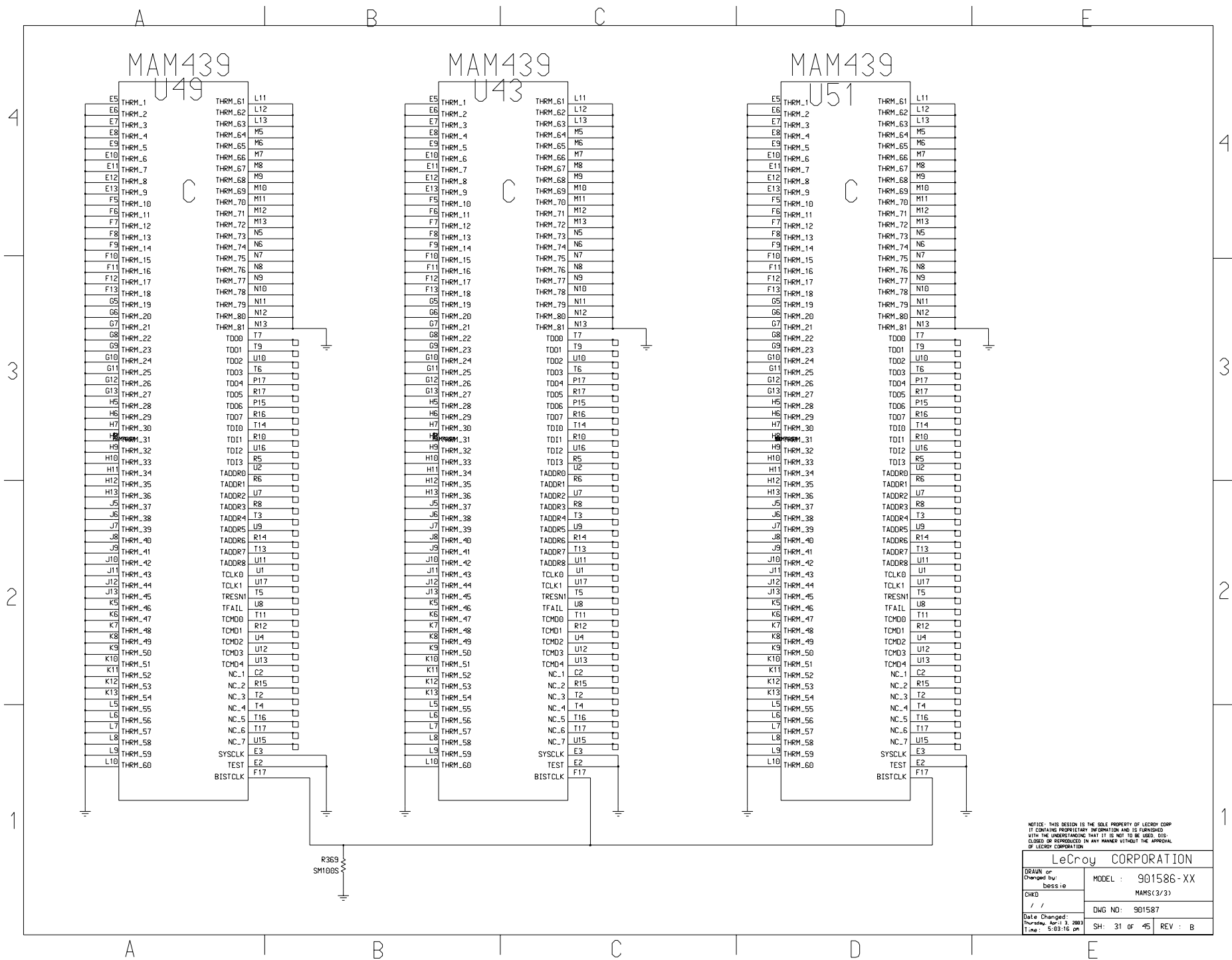
LeCroy CORPORATION	
DRAWN or Changed by: bess:io	MODEL : 901586-XX
CHKD / /	MAMS(1/3)
Date Changed: Thursday, Apr 13, 2006 Time: 5:04:00 pm	DWG NO: 901587
	SH: 29 of 45 REV : B



NOTICE: THIS DESIGN IS THE SOLE PROPERTY OF LECROY CORP. IT CONTAINS PROPRIETARY INFORMATION AND IS FURNISHED WITH THE UNDERSTANDING THAT IT IS NOT TO BE USED, DISCLOSED OR REPRODUCED IN ANY MANNER WITHOUT THE APPROVAL OF LECROY CORPORATION.

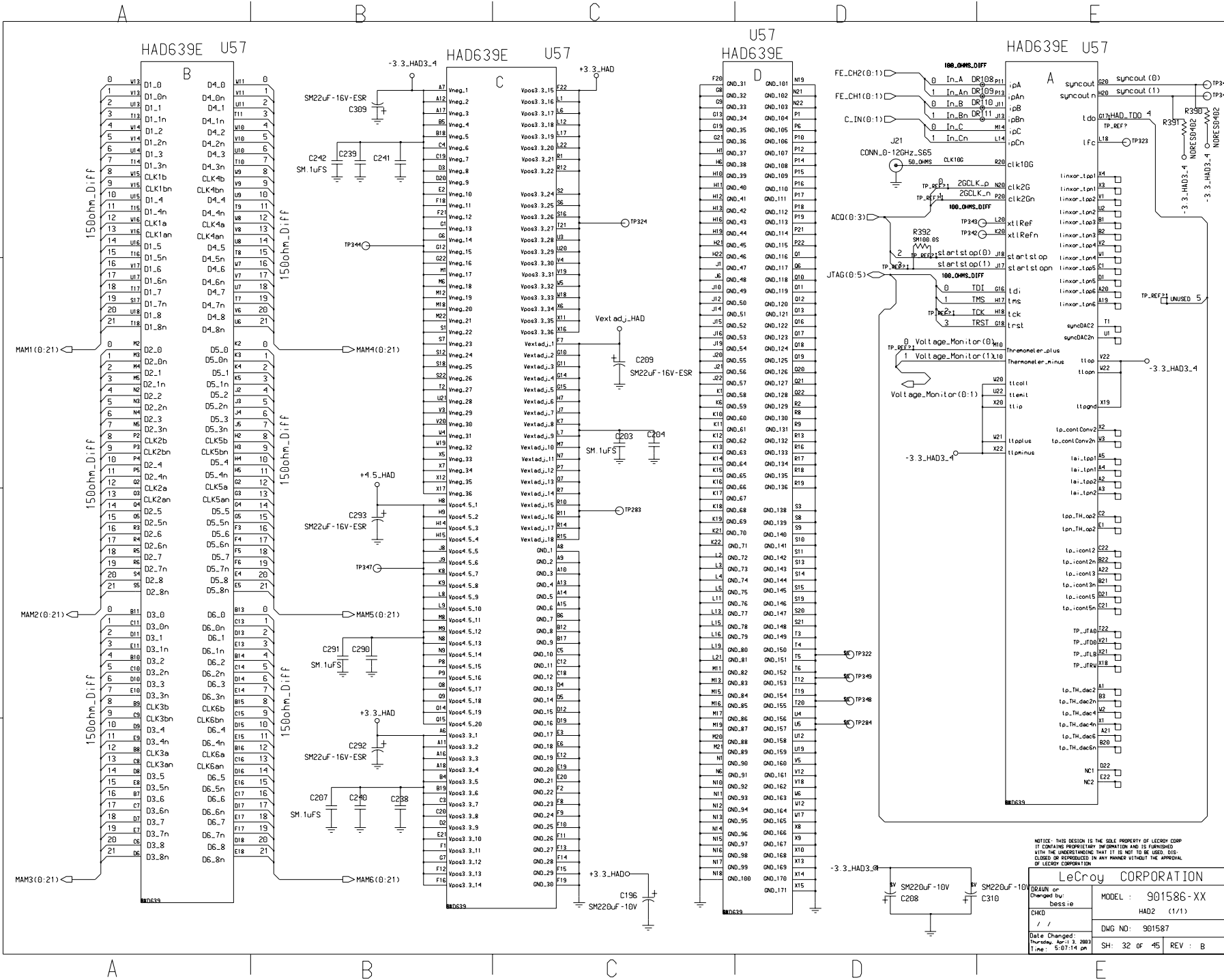
LeCroy CORPORATION

DRAWN or Changed by: bessie	MODEL : 901586-XX
CHKD / /	MAMS(2/3)
Date Changed: Thursday, Apr 13, 2006 Time: 5:53:27 pm	DWG NO: 901587
	SH: 30 OF 45 REV : B



NOTICE: THIS DESIGN IS THE SOLE PROPERTY OF LECROY CORP. IT CONTAINS PROPRIETARY INFORMATION AND IS FURNISHED WITH THE UNDERSTANDING THAT IT IS NOT TO BE USED, DISCLOSED OR REPRODUCED IN ANY MANNER WITHOUT THE APPROVAL OF LECROY CORPORATION.

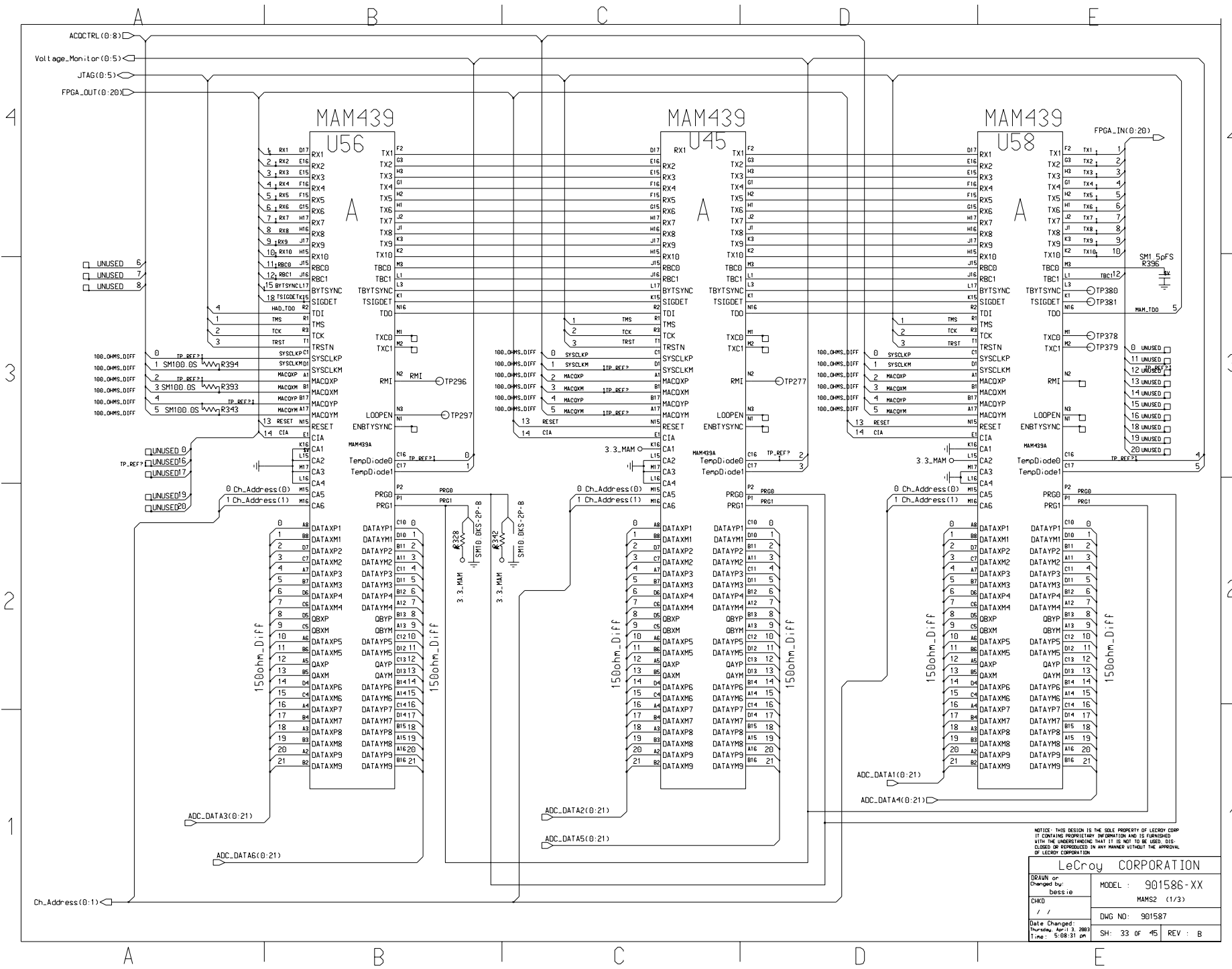
LeCroy CORPORATION	
DRAUN or Changed by: bessie	MODEL : 901586-XX MAMS(3/3)
CHKD / /	DWG NO: 901587
Date Changed: Thursday, Apr 13, 2000 Time: 5:03:16 pm	SH: 31 OF 45 REV : B



NOTICE: THIS DESIGN IS THE SOLE PROPERTY OF LEADCO CORP. IT CONTAINS PROPRIETARY INFORMATION AND IS FURNISHED WITH THE UNDERSTANDING THAT IT IS NOT TO BE USED, DISCLOSED OR REPRODUCED IN ANY MANNER WITHOUT THE APPROVAL OF LEADCO CORPORATION.

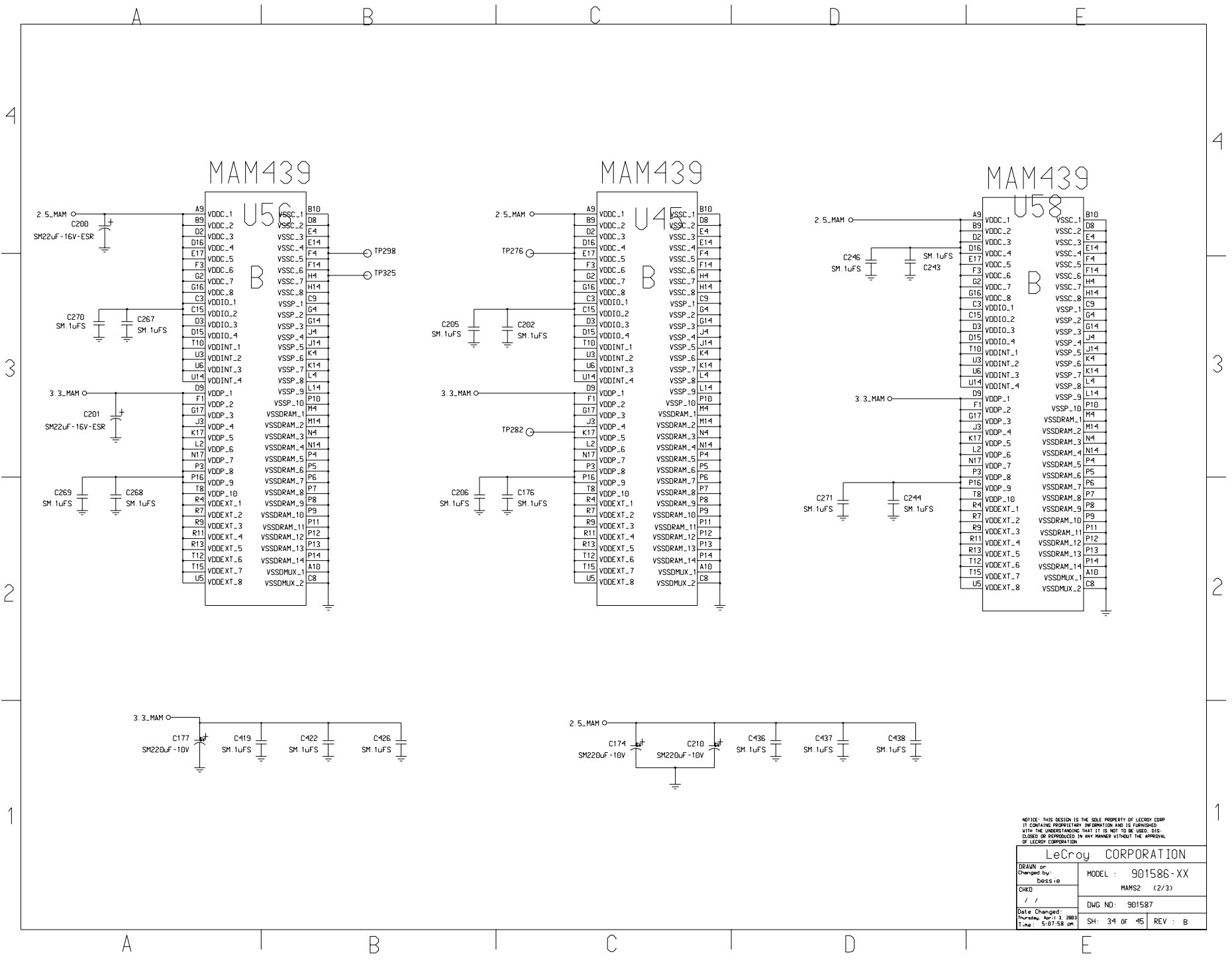
LeCroy CORPORATION

DRAWN BY Changed by:	MODEL: 901586-XX
CHKD bessio	HAD2 (1/1)
///	DWG NO: 901587
Date Changed: Thursday, Apr 13, 2003 Time: 5:07:14 pm	SH: 32 OF 45 REV: B



NOTES: THIS DESIGN IS THE SOLE PROPERTY OF LECROY CORP. IT CONTAINS PROPRIETARY INFORMATION AND IS FURNISHED WITH THE UNDERSTANDING THAT IT IS NOT TO BE USED, DISCLOSED OR REPRODUCED IN ANY MANNER WITHOUT THE APPROVAL OF LECROY CORPORATION.

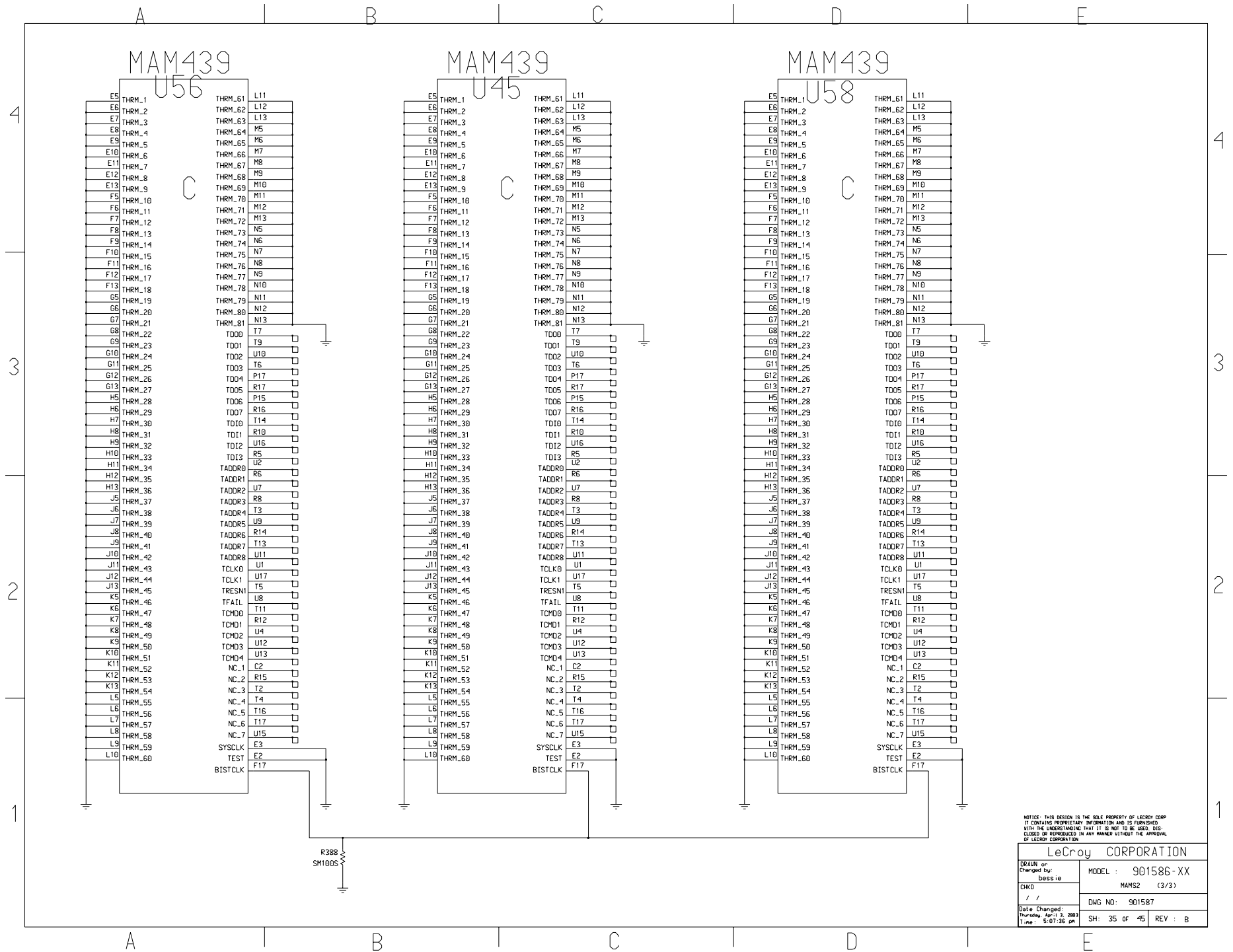
LeCroy CORPORATION	
DRAWN or Changed by: bess:io	MODEL : 901586-XX
CHKD / /	MAMS2 (1/3)
Date Changed: Thursday, Apr 13, 2006 Time: 5:08:21 pm	DWG NO: 901587
	SH: 33 of 45 REV : B



NOTICE: THIS DESIGN IS THE SOLE PROPERTY OF LECROY CORP. IT CONTAINS PROPRIETARY INFORMATION AND IS FURNISHED WITH THE UNDERSTANDING THAT IT IS NOT TO BE USED, DISCLOSED OR REPRODUCED IN ANY MANNER WITHOUT THE APPROVAL OF LECROY CORPORATION.

LeCroy CORPORATION

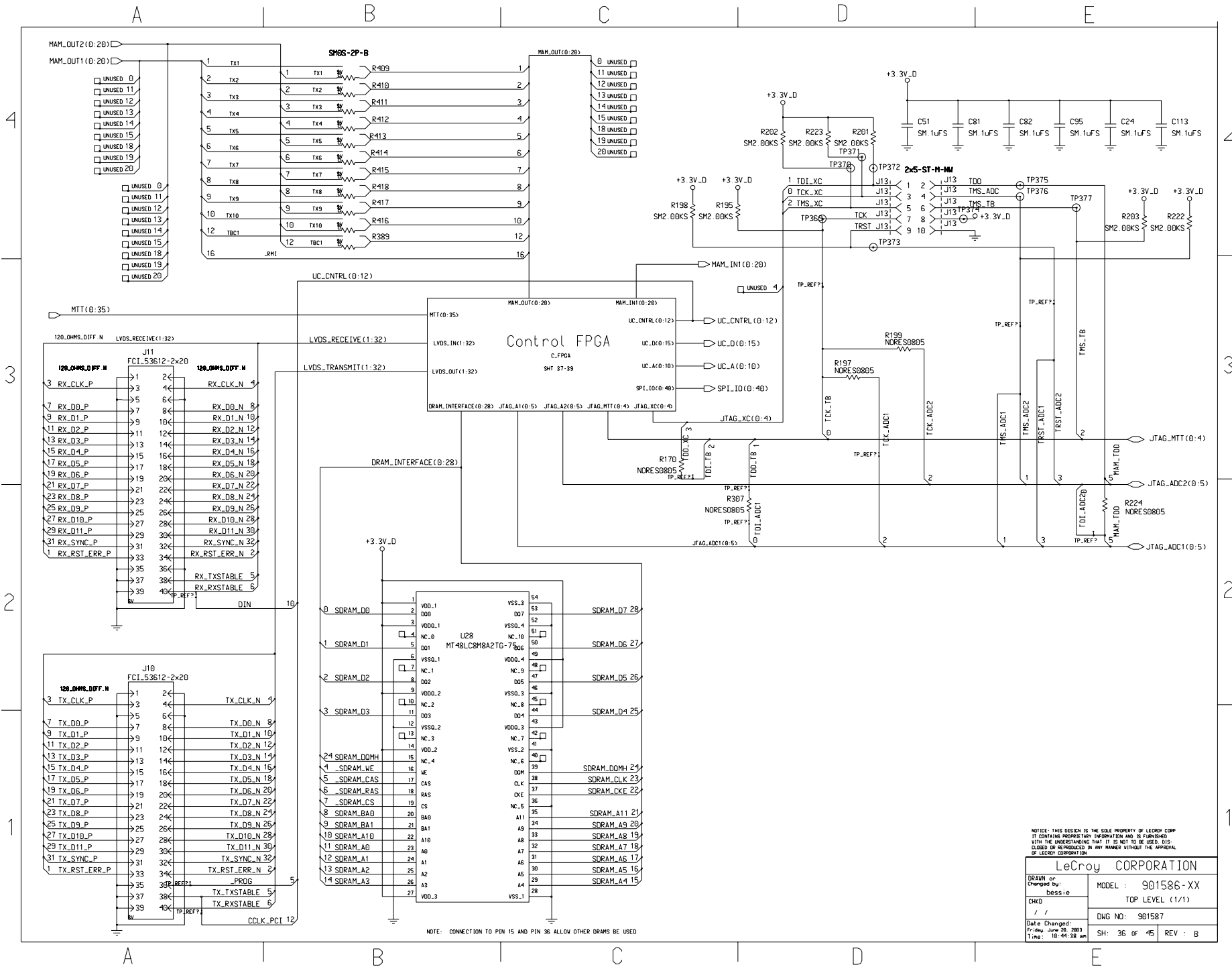
DRAWN or Changed by: bessie	MODEL : 901586-XX
CHKD / /	MAMS2 (2/3)
Date Changed: Thursday, Apr 13, 2006 Time: 5:07:58 pm	DWG NO: 901587
	SH: 34 OF 45 REV: B



NOTICE: THIS DESIGN IS THE SOLE PROPERTY OF LECROY CORP. IT CONTAINS PROPRIETARY INFORMATION AND IS FURNISHED WITH THE UNDERSTANDING THAT IT IS NOT TO BE USED, DISCLOSED OR REPRODUCED IN ANY MANNER WITHOUT THE APPROVAL OF LECROY CORPORATION.

LeCroy CORPORATION

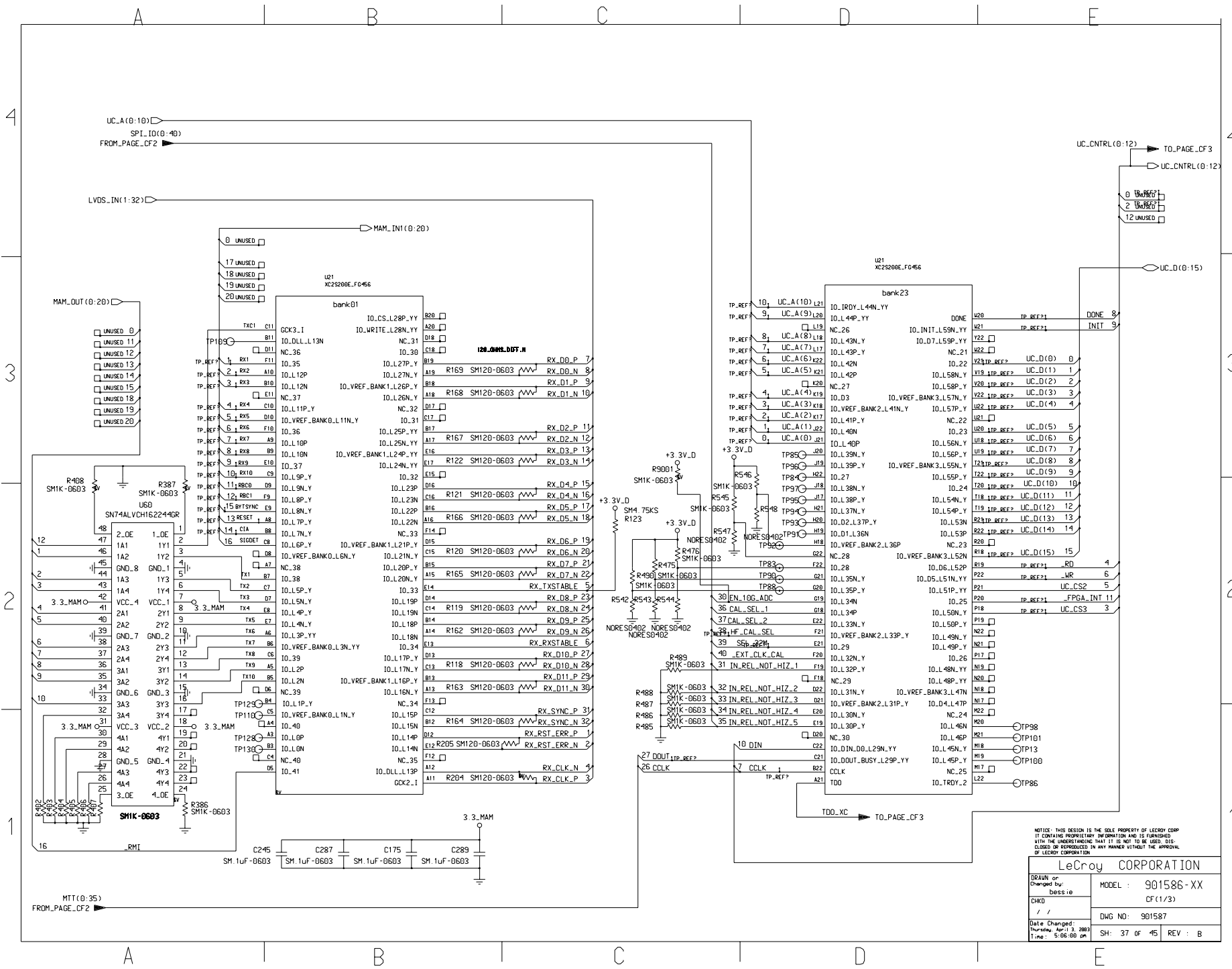
DRAWN or Changed by: bessie	MODEL: 901586-XX
CHKD / /	MAMS2 (3/3)
Date Changed: Thursday, Apr 1 2, 2003 Time: 5:07:36 pm	DWG NO: 901587
	SH: 35 OF 45 REV: B



NOTE: CONNECTION TO PIN 15 AND PIN 36 ALLOW OTHER DRAMS BE USED

NOTICE: THIS DESIGN IS THE SOLE PROPERTY OF LECROY CORP. IT CONTAINS PROPRIETARY INFORMATION AND IS FURNISHED WITH THE UNDERSTANDING THAT IT IS NOT TO BE USED, DISCLOSED OR REPRODUCED IN ANY MANNER WITHOUT THE APPROVAL OF LECROY CORPORATION.

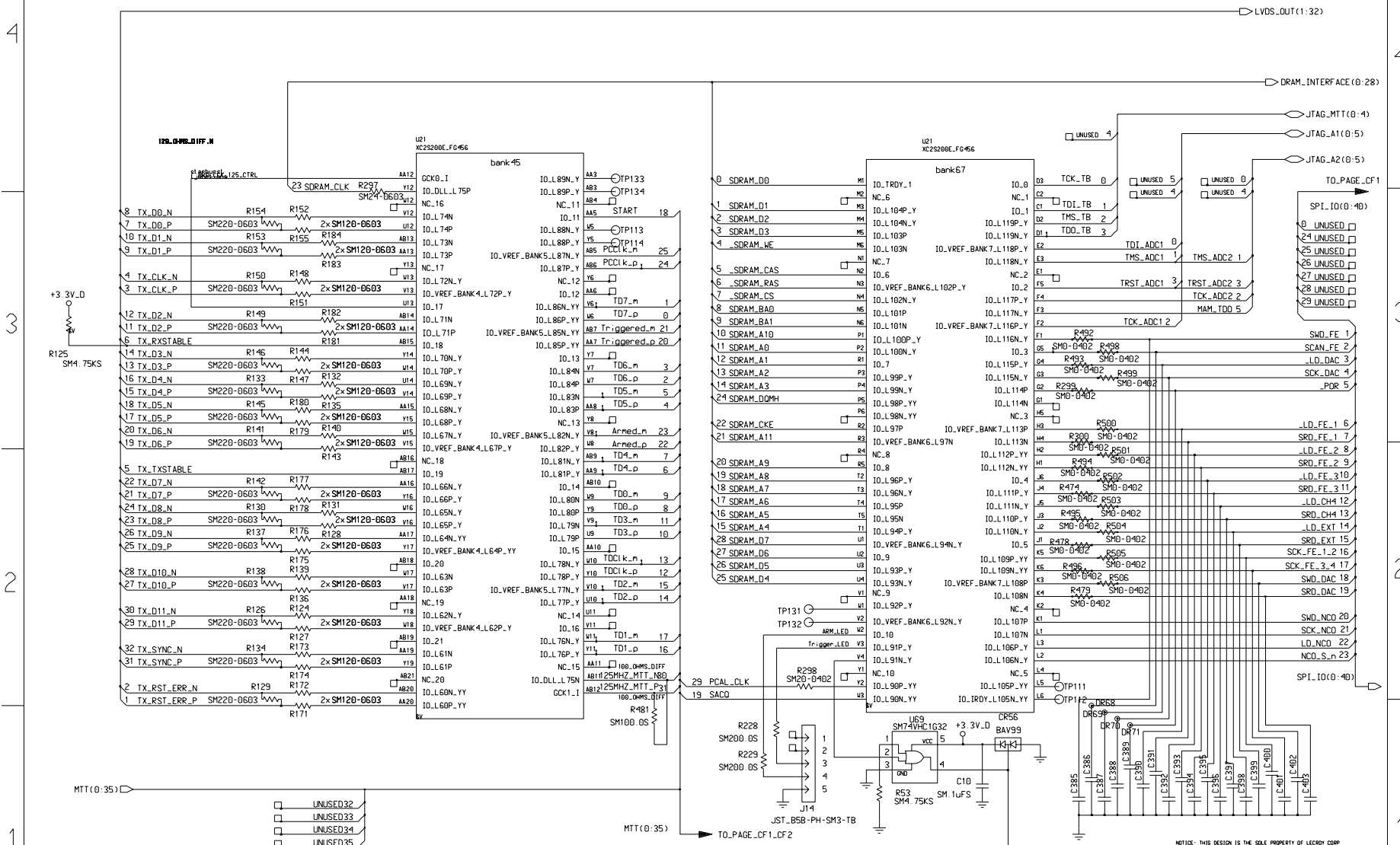
LeCroy CORPORATION	
DRAWN or Changed by: bessie	MODEL : 901586-XX
CHKD / /	TOP LEVEL (1/1)
Date Changed: Pr-Rev: June 26, 2003 Time: 10:44:28 am	DWG NO: 901587
	SH: 36 OF 45 REV : B



NOTES: THIS DESIGN IS THE SOLE PROPERTY OF LECROY CORP
 IT CONTAINS PROPRIETARY INFORMATION AND IS FURNISHED
 WITH THE UNDERSTANDING THAT IT IS NOT TO BE USED, DIS-
 CLOSED OR REPRODUCED IN ANY MANNER WITHOUT THE APPROVAL
 OF LECROY CORPORATION.

LeCroy CORPORATION	
DRAWN or Changed by: bessio	MODEL : 901586-XX CF (1/3)
CHKD / /	DWG NO: 901587
Date Changed: Thursday, Apr 13, 2006 Time: 5:06:00 pm	SH: 37 of 45 REV : B

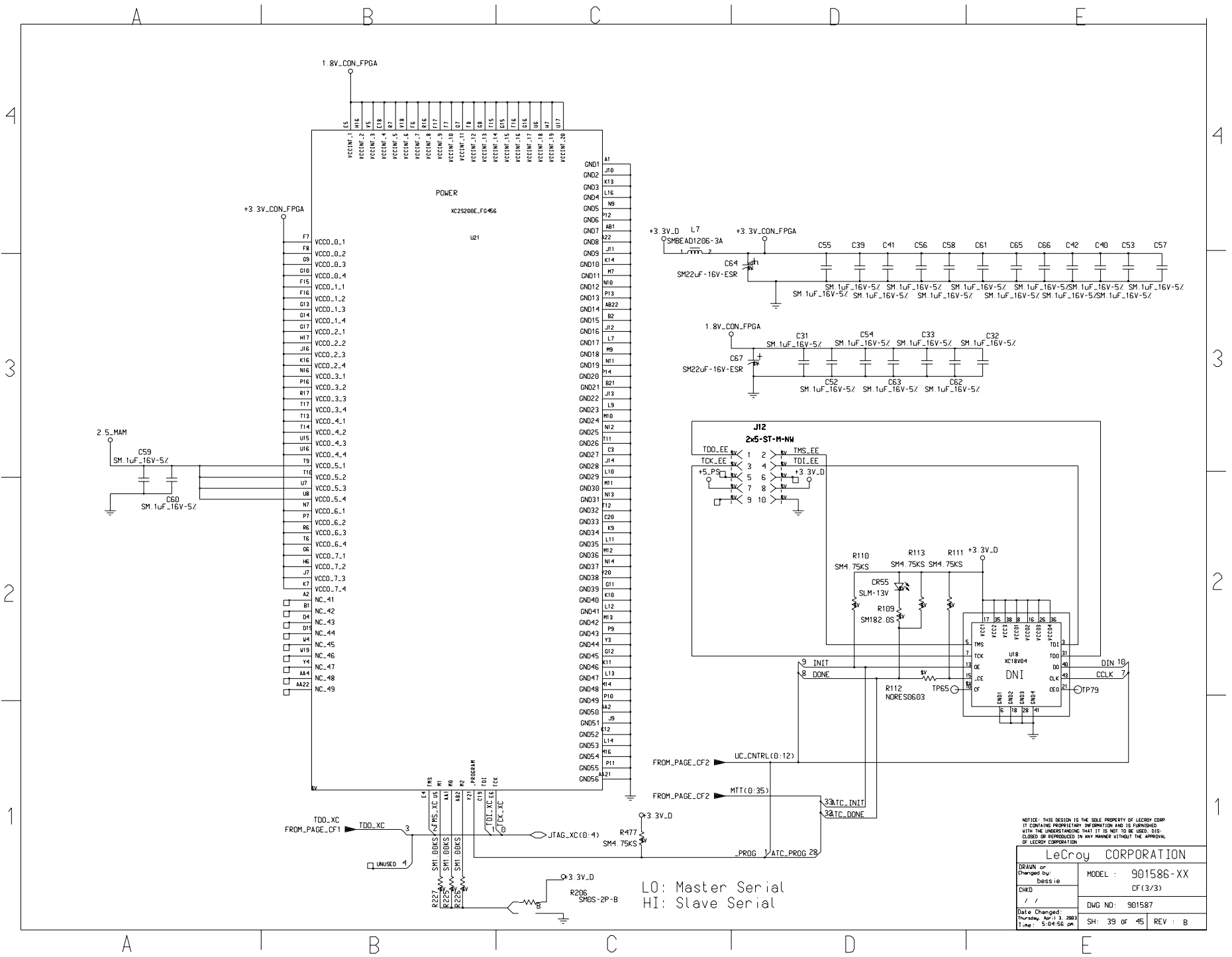
NOTE: SDRAM_CLK must be 4" longer than BRD_CLK_125_CTRL



NOTICE: THIS DESIGN IS THE SOLE PROPERTY OF LECROY CORP IT CONTAINS PROPRIETARY INFORMATION AND IS FURNISHED WITH THE UNDERSTANDING THAT IT IS NOT TO BE USED, DISCLOSED OR REPRODUCED IN ANY MANNER WITHOUT THE APPROVAL OF LECROY CORPORATION.

LeCroy CORPORATION

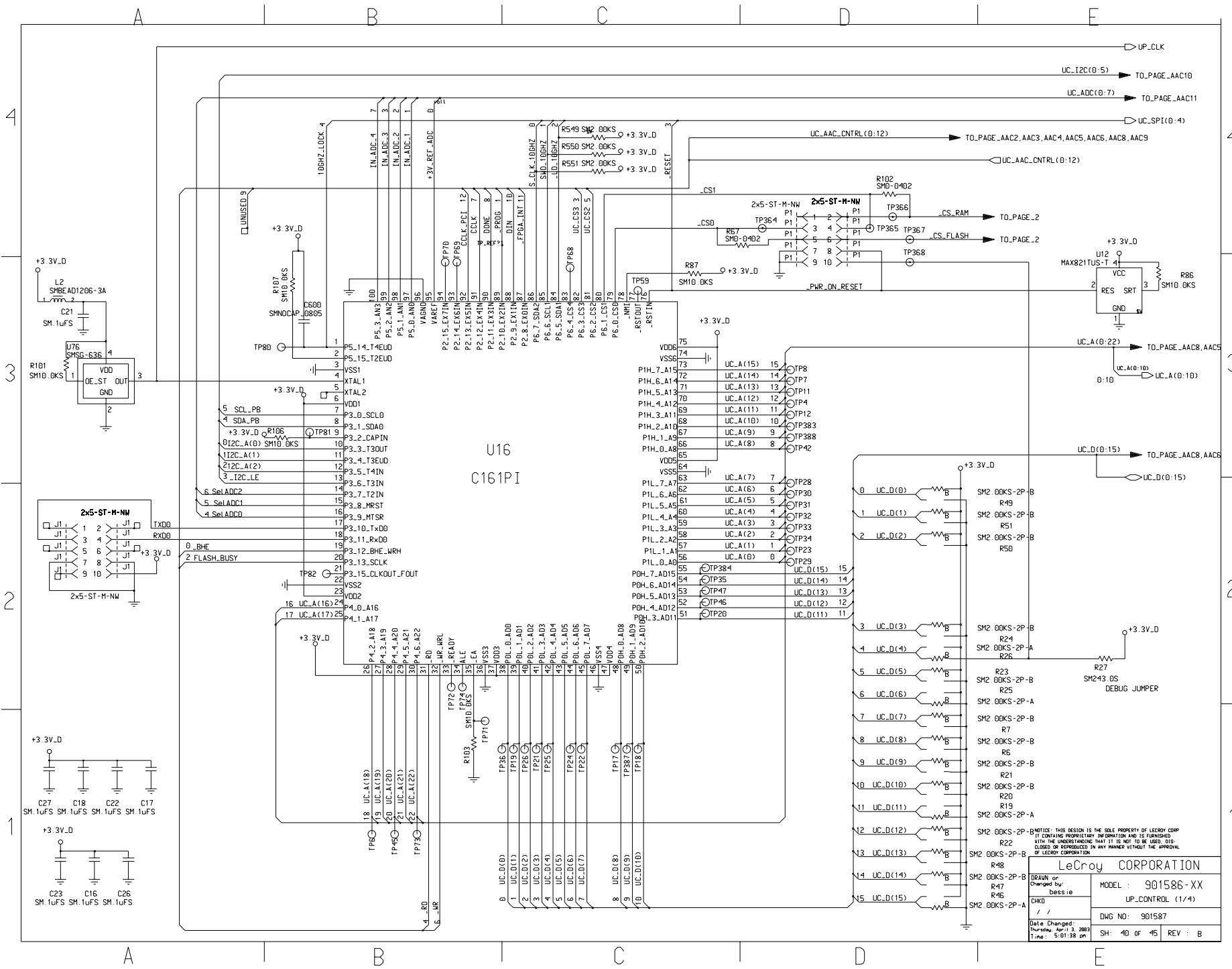
DRAWN or Changed by: **besio** MODEL: **901586-XX**
 CF (2/3)
 DWG NO: **901587**
 Date Changed: **Thursday, April 2, 2009** SH: **38 of 45** REV: **B**
 Time: **5:05:20 pm**



NOTICE: THIS DESIGN IS THE SOLE PROPERTY OF LEADROY CORP. IT CONTAINS PROPRIETARY INFORMATION AND IS FURNISHED WITH THE UNDERSTANDING THAT IT IS NOT TO BE USED, DISCLOSED OR REPRODUCED IN ANY MANNER WITHOUT THE APPROVAL OF LEADROY CORPORATION.

LeCroy CORPORATION	
DRAWN or Changed by: bessio	MODEL : 901586-XX
CHKD / /	CF (3/3)
Date Changed: Thursday, Apr 13, 2006 Time: 5:04:55 pm	DWG NO: 901587
	SH: 39 OF 45 REV : B

L0: Master Serial
HI: Slave Serial



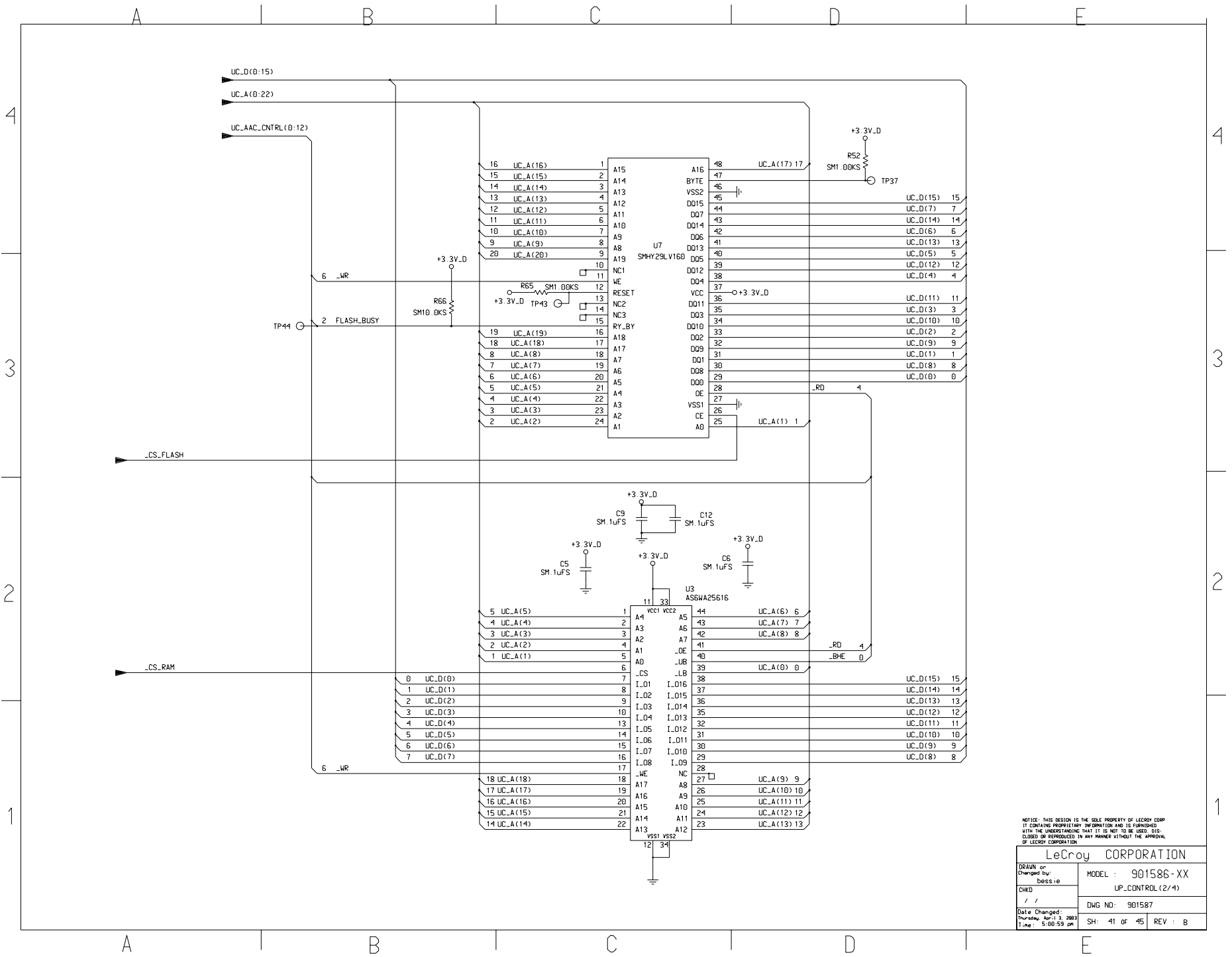
THIS DESIGN IS THE SOLE PROPERTY OF LEADCO CORP
 IT CONTAINS PROPRIETARY INFORMATION AND IS FURNISHED
 WITH THE UNDERSTANDING THAT IT IS NOT TO BE USED, DIS-
 CLOSED OR REPRODUCED IN ANY MANNER WITHOUT THE APPROVAL
 OF LEADCO CORPORATION.

LeCroy CORPORATION

MODEL : 901586-XX
 UP_CONTROL (11/4)

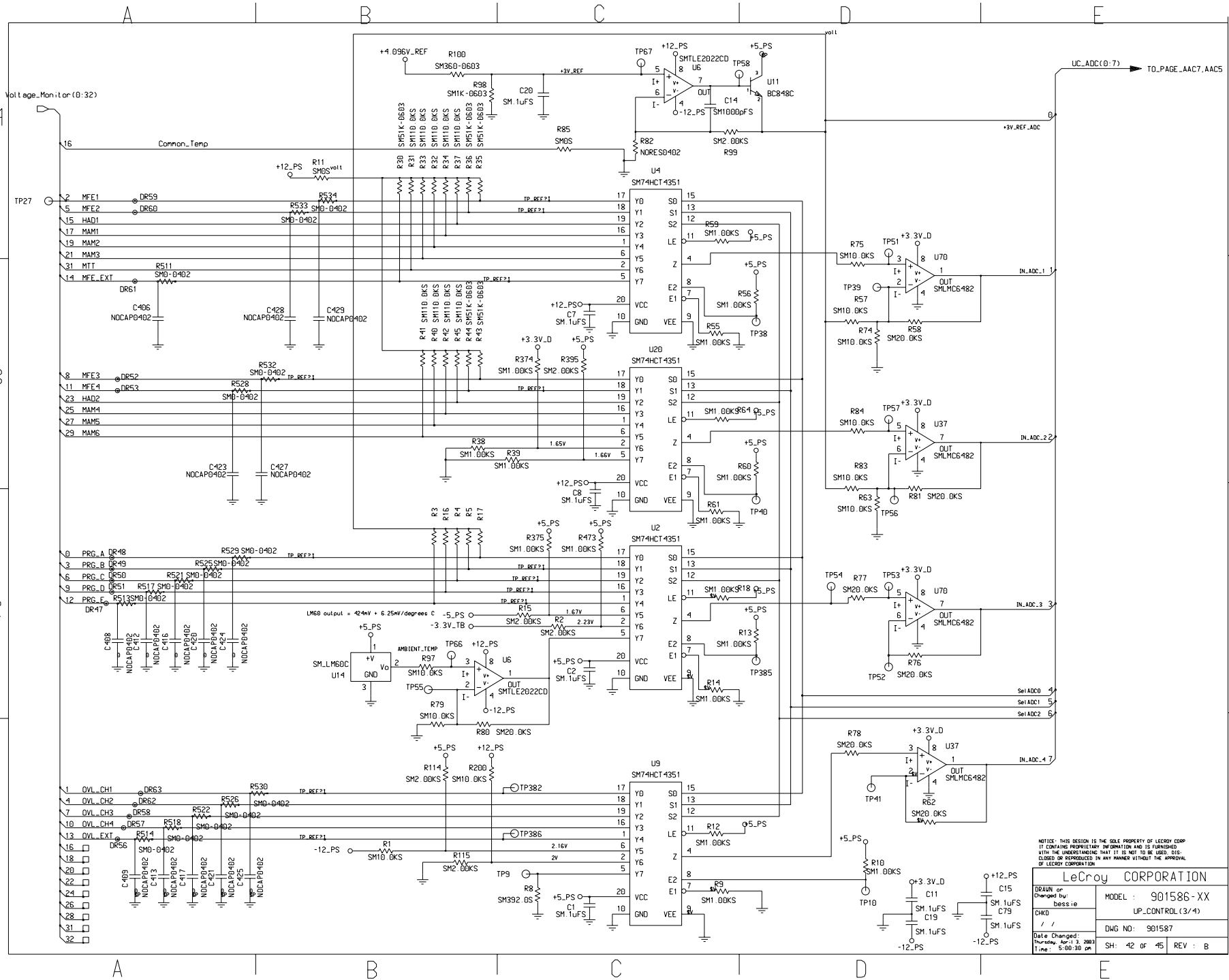
DWG NO: 901587
 SH: 40 OF 45 REV : B

Date Changed:
 Thursday, Apr 13, 2006
 Time: 5:01:38 pm



NOTICE: THIS DESIGN IS THE SOLE PROPERTY OF LECROY CORP. IT CONTAINS PROPRIETARY INFORMATION AND IS FURNISHED WITH THE UNDERSTANDING THAT IT IS NOT TO BE USED, DISCLOSED OR REPRODUCED IN ANY MANNER WITHOUT THE APPROVAL OF LECROY CORPORATION.

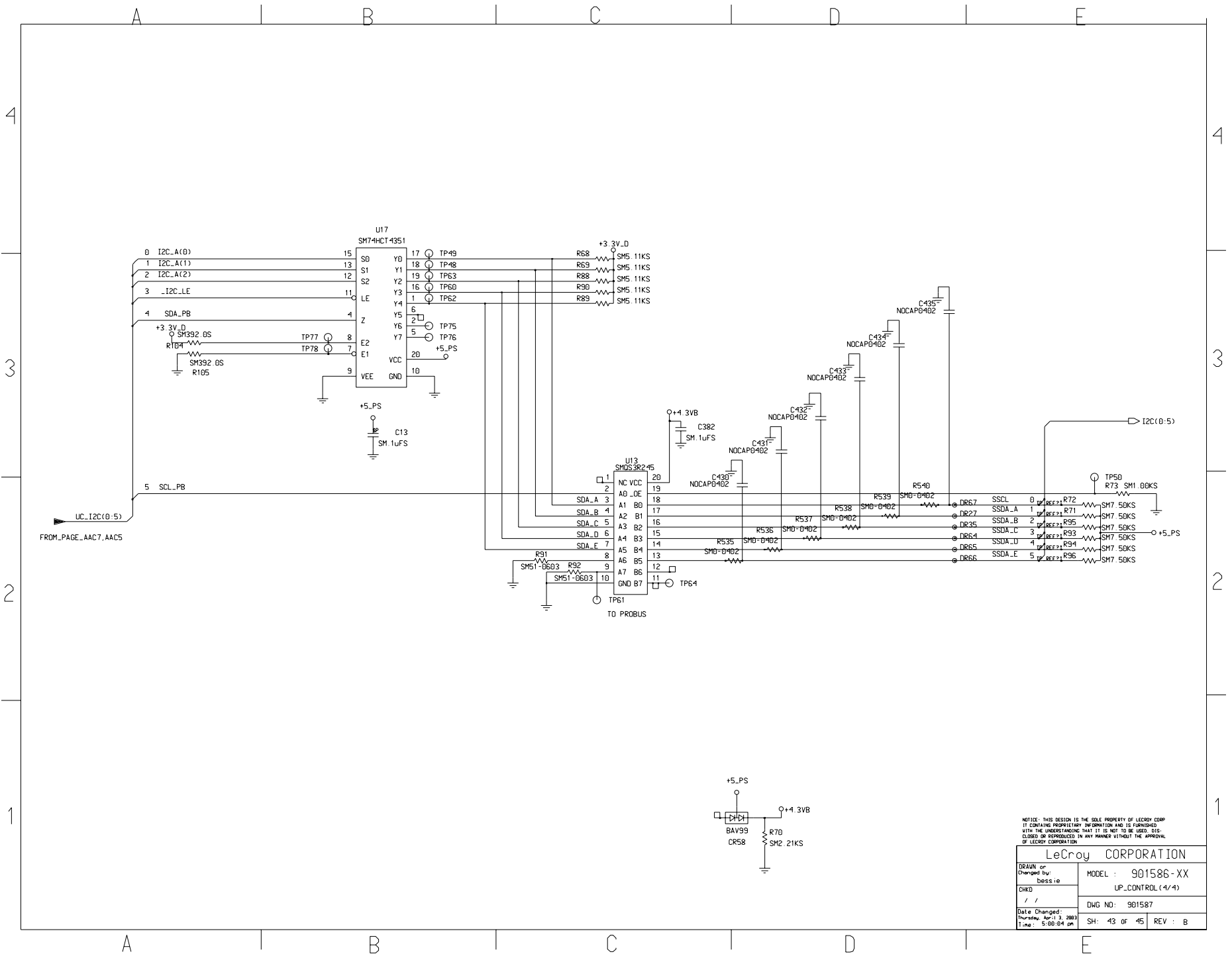
LeCroy CORPORATION	
DRAWN or Changed by: bessie	MODEL : 901586-XX
CHKD / /	UP_CONTROL (2/4)
Date Changed: Thursday, April 23, 2003 Time: 5:00:53 pm	DWG NO: 901587
	SH: 41 OF 45 REV : B



NOTICE: THIS DESIGN IS THE SOLE PROPERTY OF LECROY CORP. IT CONTAINS PROPRIETARY INFORMATION AND IS FURNISHED WITH THE UNDERSTANDING THAT IT IS NOT TO BE USED, DISCLOSED OR REPRODUCED IN ANY MANNER WITHOUT THE APPROVAL OF LECROY CORPORATION.

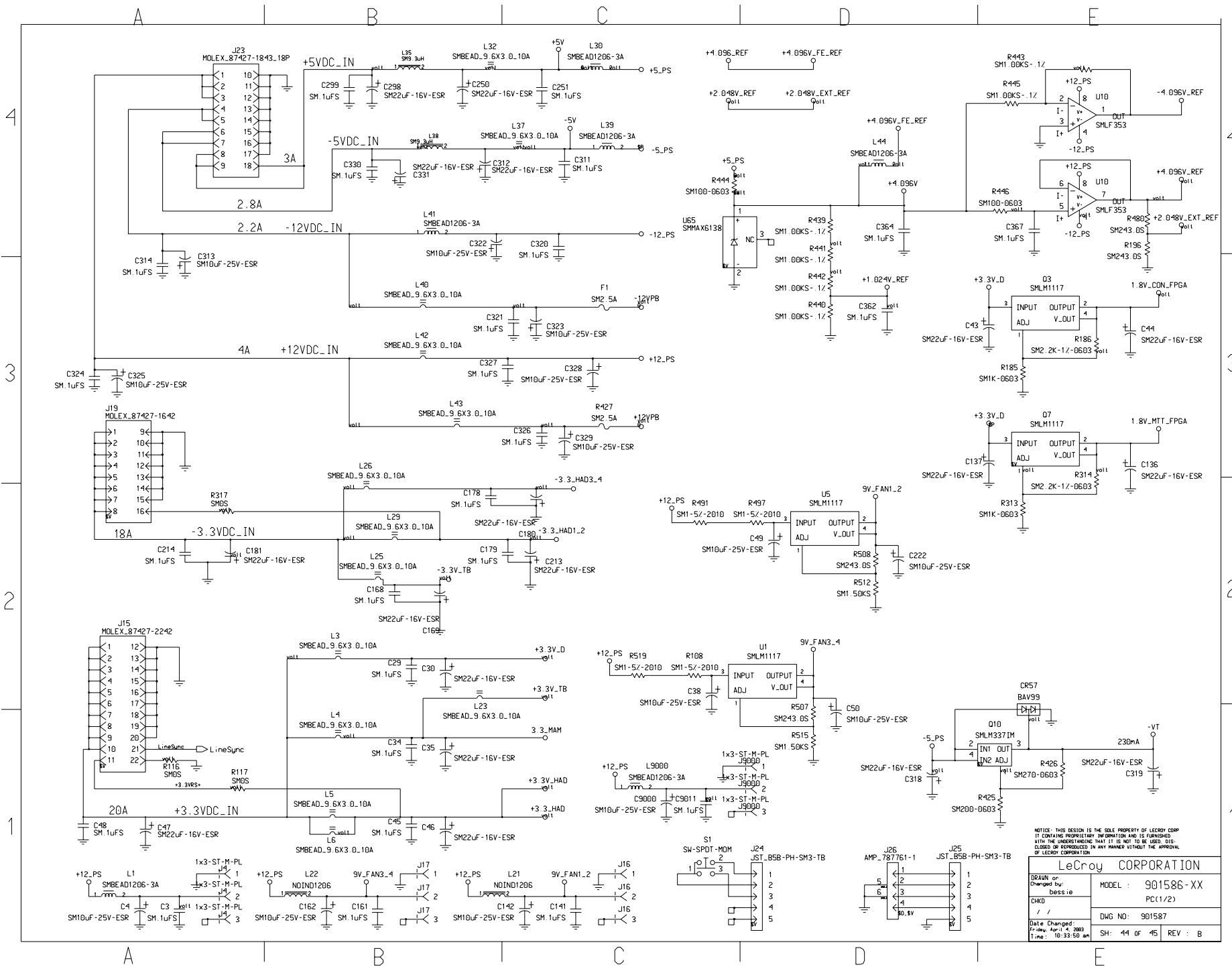
LeCroy CORPORATION

DRAWN or Changed by: bessio	MODEL: 901586-XX
CHKD: / /	UP_CONTROL (3/4)
Date Changed: Thursday, April 23, 2009 Time: 5:00:30 pm	DWG NO: 901587
	SH: 42 OF 45 REV: B



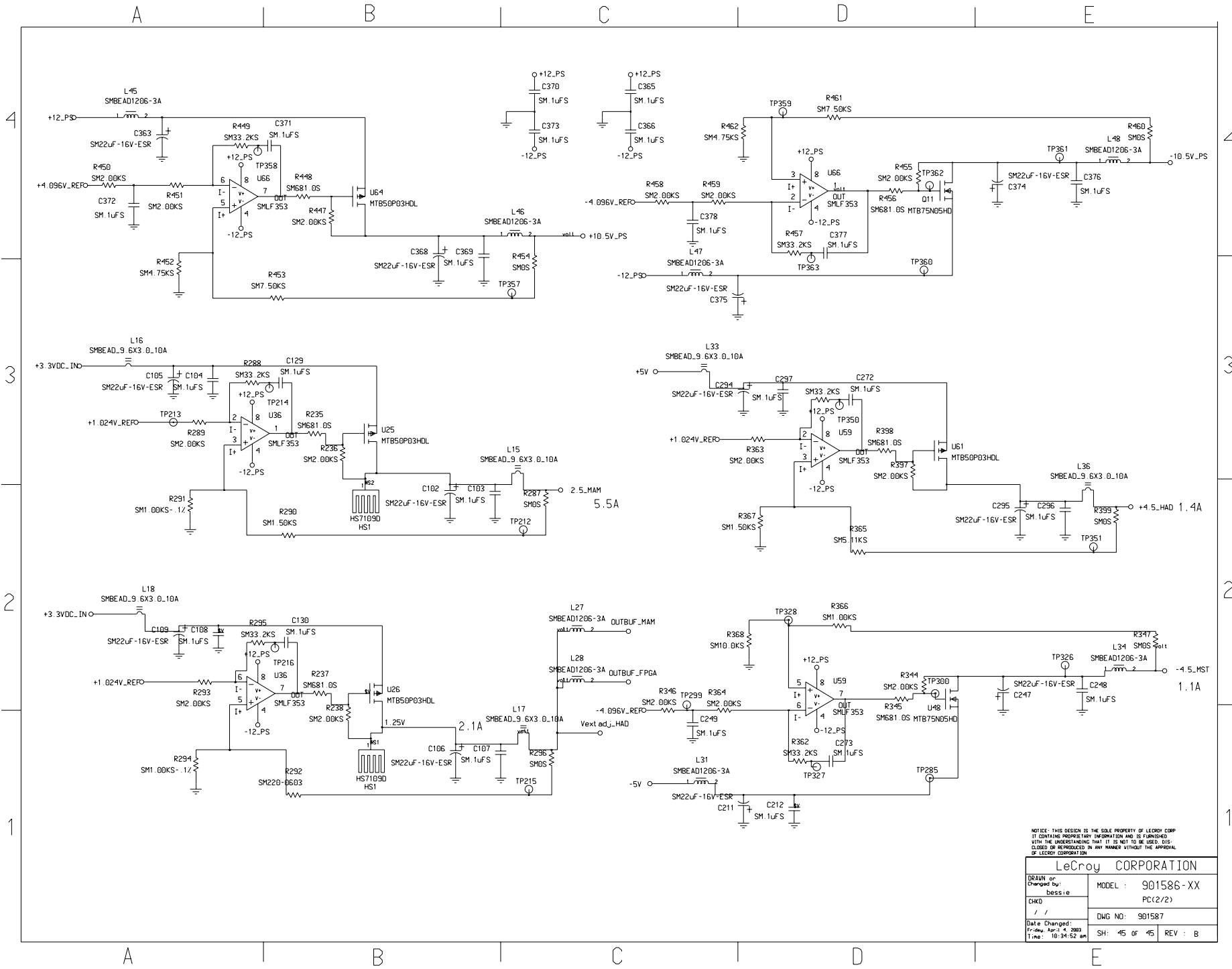
NOTICE: THIS DESIGN IS THE SOLE PROPERTY OF LECROY CORP. IT CONTAINS PROPRIETARY INFORMATION AND IS FURNISHED WITH THE UNDERSTANDING THAT IT IS NOT TO BE USED, DISCLOSED OR REPRODUCED IN ANY MANNER WITHOUT THE APPROVAL OF LECROY CORPORATION.

LeCroy CORPORATION	
DRAWN or Changed by: bessie	MODEL : 901586-XX
CHKD / /	UP_CONTROL (1/1)
Date Changed: Thursday, April 2, 2003 Time: 5:00:04 pm	DWG NO: 901587
	SH: 43 OF 45 REV : B



NOTICE: THIS DESIGN IS THE SOLE PROPERTY OF LEADROY CORP. IT CONTAINS PROPRIETARY INFORMATION AND IS FURNISHED WITH THE UNDERSTANDING THAT IT IS NOT TO BE USED, DISCLOSED OR REPRODUCED IN ANY MANNER WITHOUT THE APPROVAL OF LEADROY CORPORATION.

LeCroy CORPORATION	
DRAWN or Changed by: CHKD Date Changed: Fri, Apr 14, 2000 Time: 10:33:50 am	MODEL: 901586-XX PC(1/2) DWG NO: 901587 SH: 44 of 45 REV: B



NOTICE: THIS DESIGN IS THE SOLE PROPERTY OF LECROY CORP
 IT CONTAINS PROPRIETARY INFORMATION AND IS FURNISHED
 WITH THE UNDERSTANDING THAT IT IS NOT TO BE USED, DIS-
 CLOSED OR REPRODUCED IN ANY MANNER WITHOUT THE APPROVAL
 OF LECROY CORPORATION

LeCroy CORPORATION	
DRAWN or Changed by: bessie	MODEL : 901586-XX
CHKD / /	PC(2/2)
Date Changed: Fr:dev, Apr 14, 2003 Time: 10:34:52 am	DWG NO: 901587
	SH: 45 OF 45 REV : B