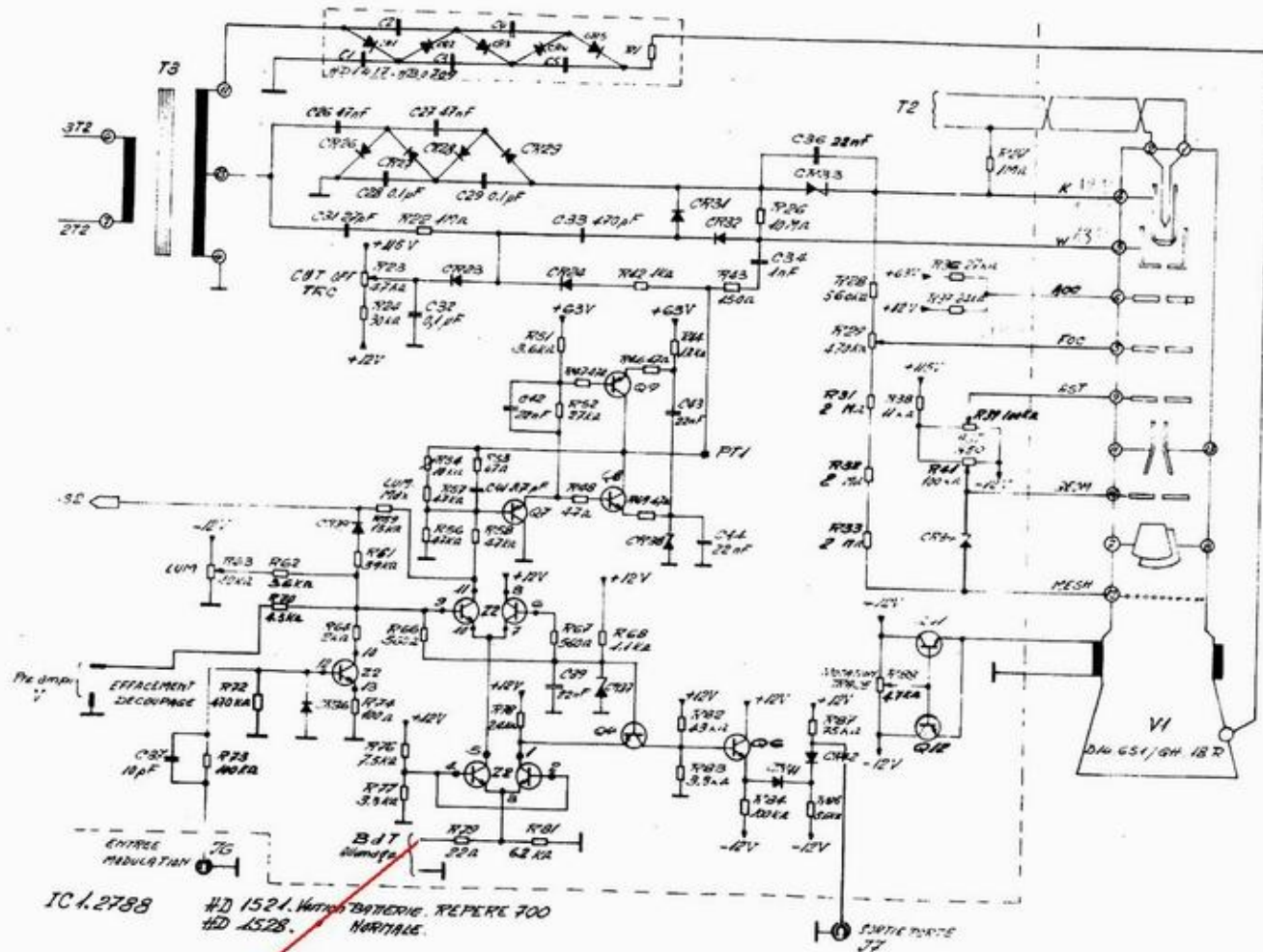


IC 1.2789

ND 1522

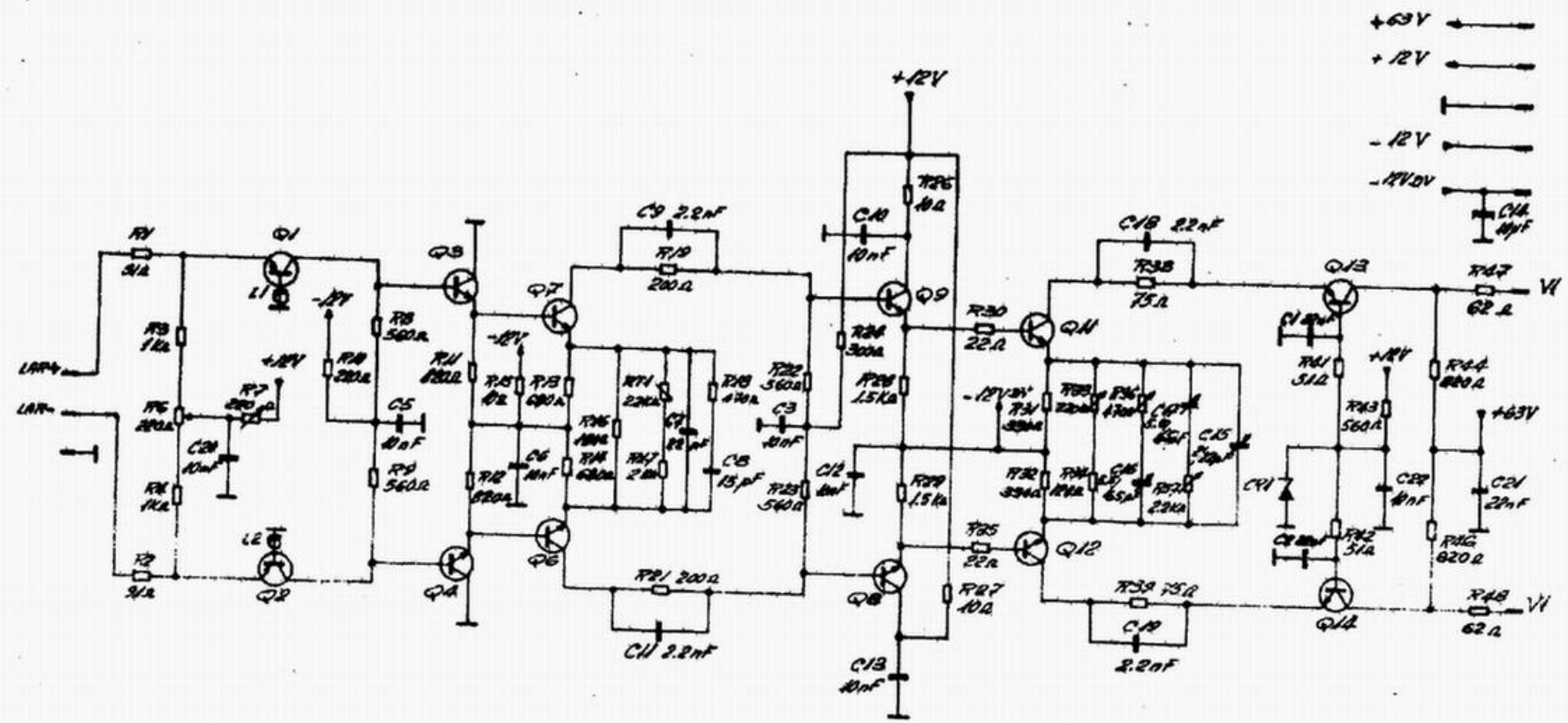
REFERE 600



point test

OX 734 - ALIMENTATION EFFACEMENT

PLANCHE 5



IC1.2792 HD 1524

REPERE 500

