

15MHz Dual channel oscilloscope

PM 3207

(9444 032 07..1)

Service Manual

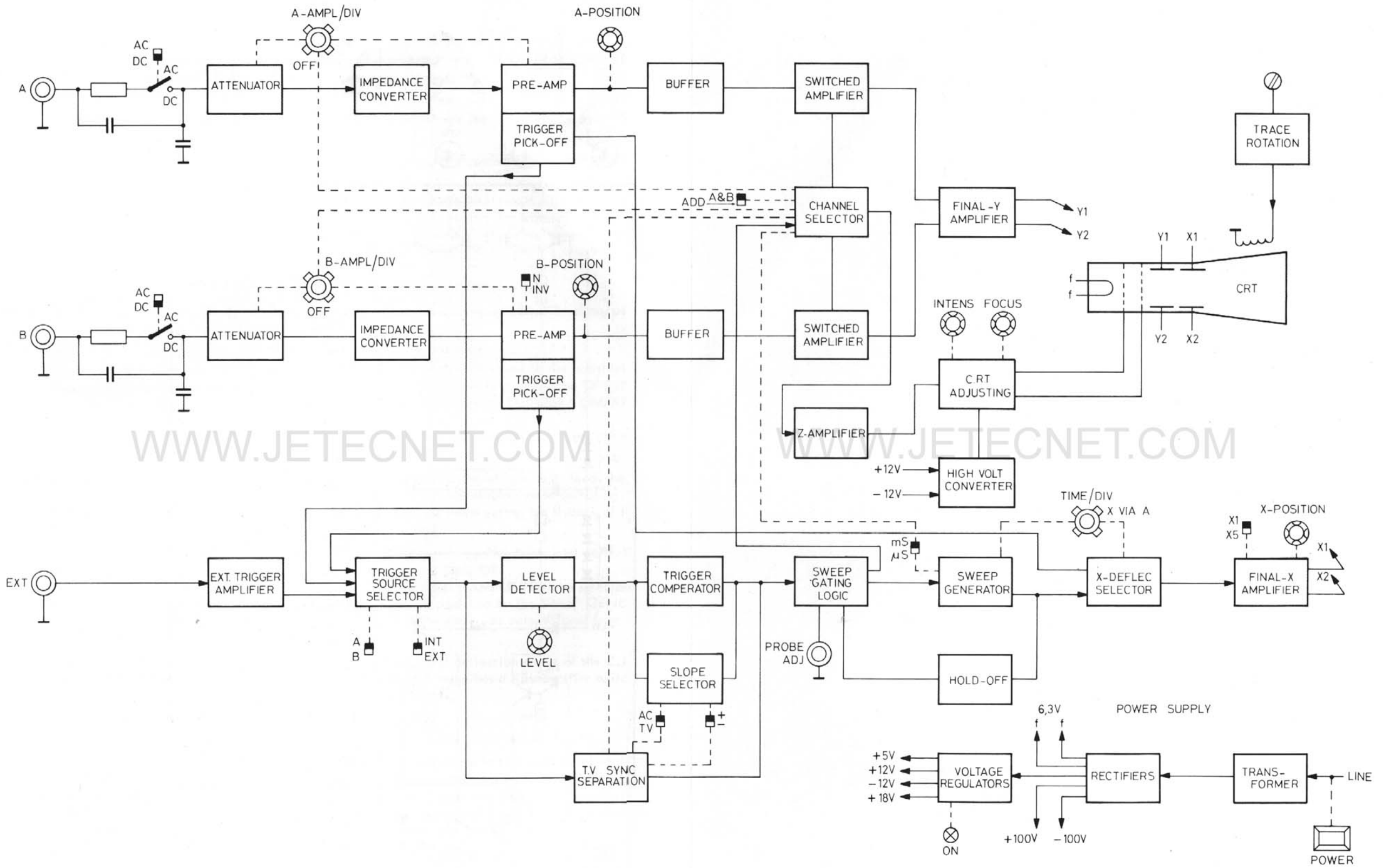
9499 445 00211

810119

S&i
Scientific & Industrial equipment division

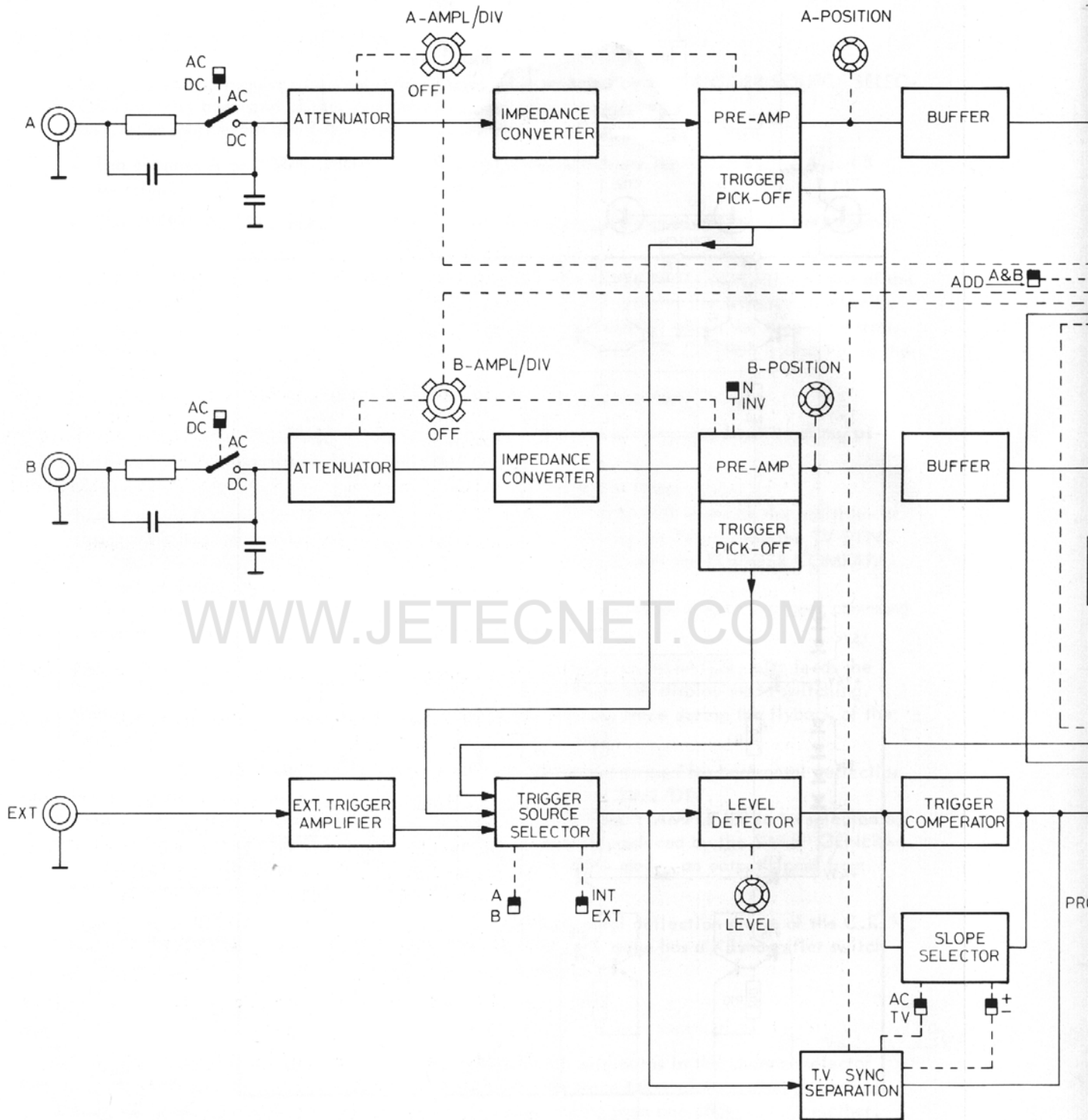


PHILIPS



MAT268

Fig. A. Block diagram



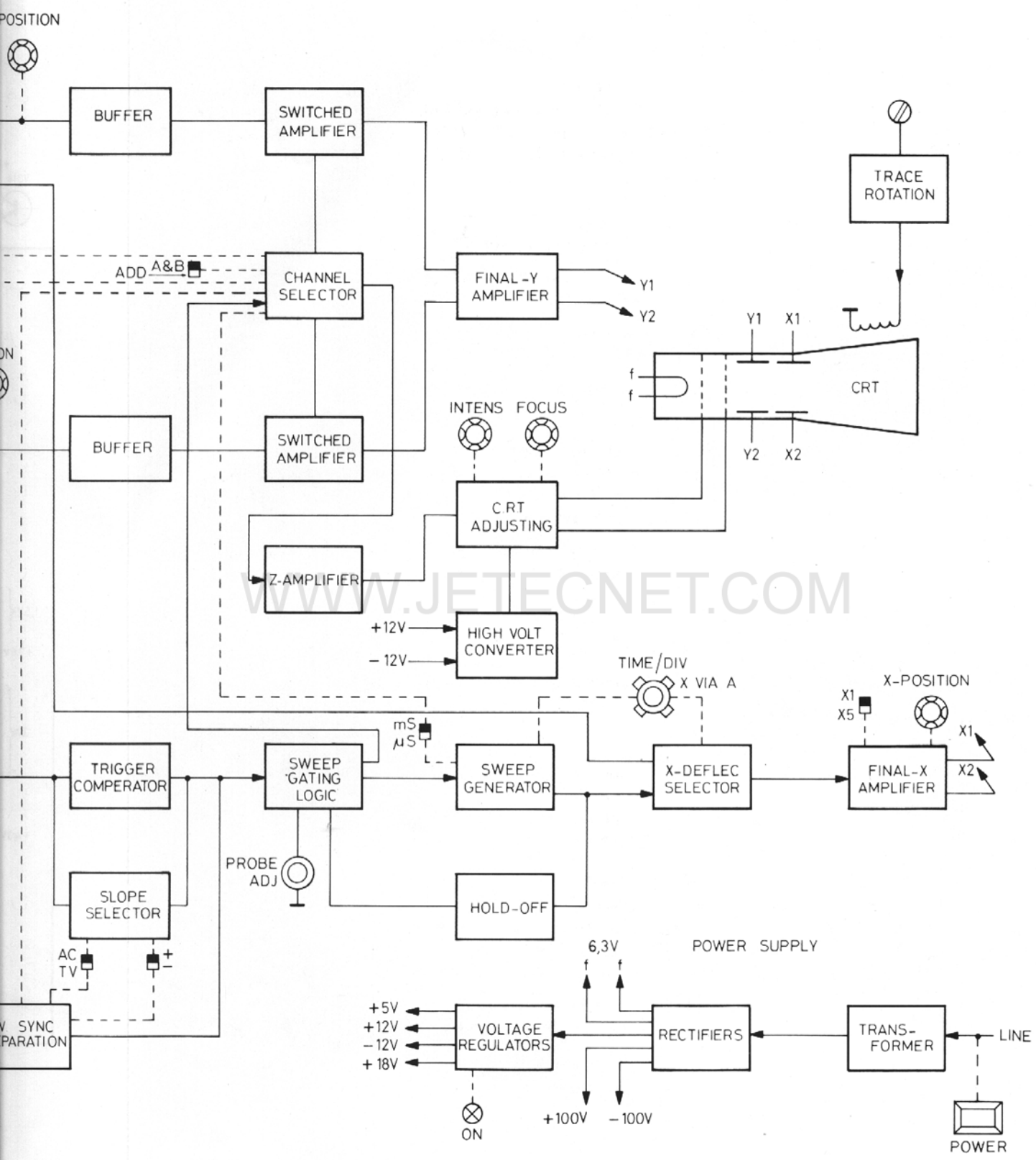


Fig. A. Block diagram

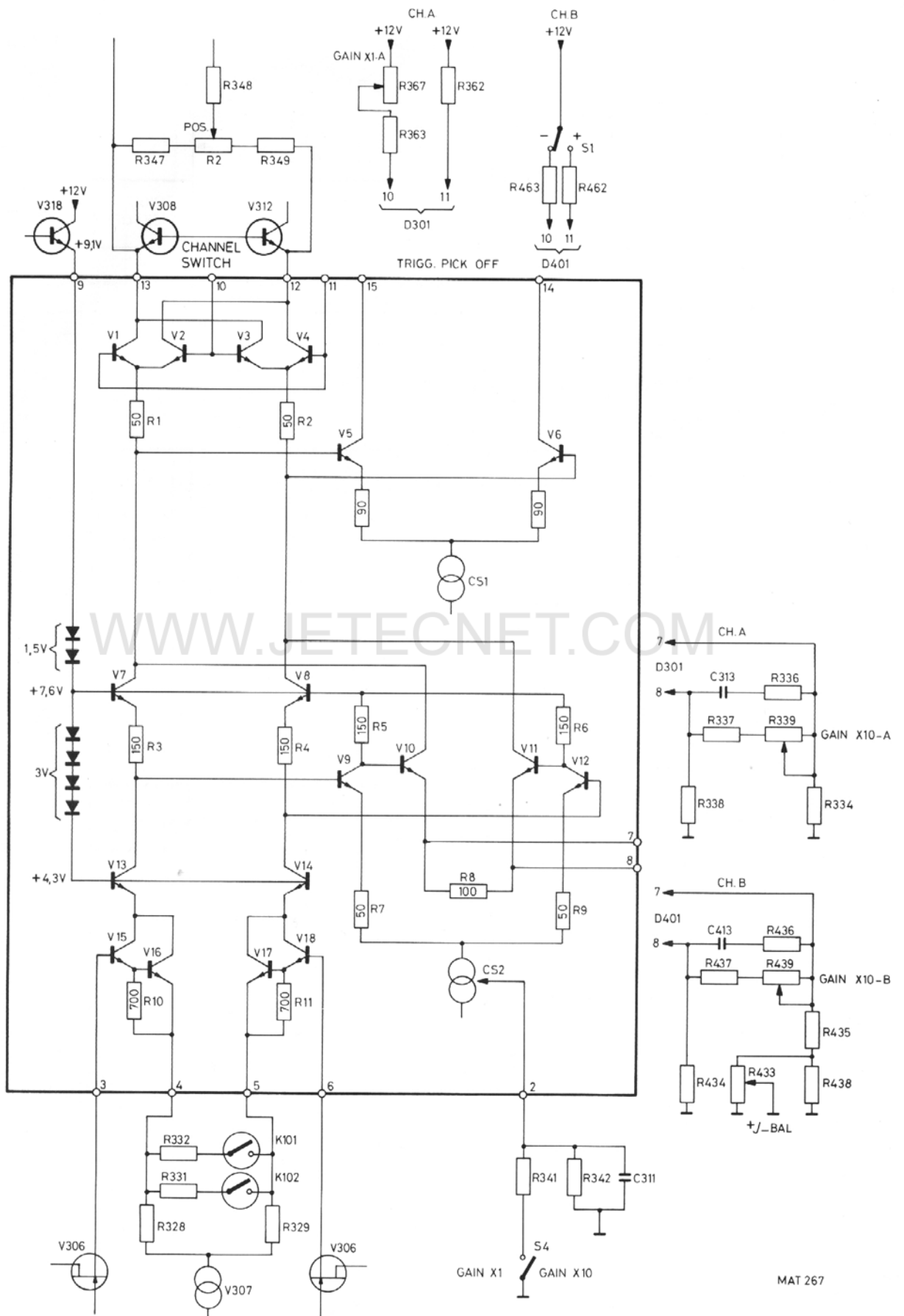


Fig. B. Simplified circuit diagram of D301/D401

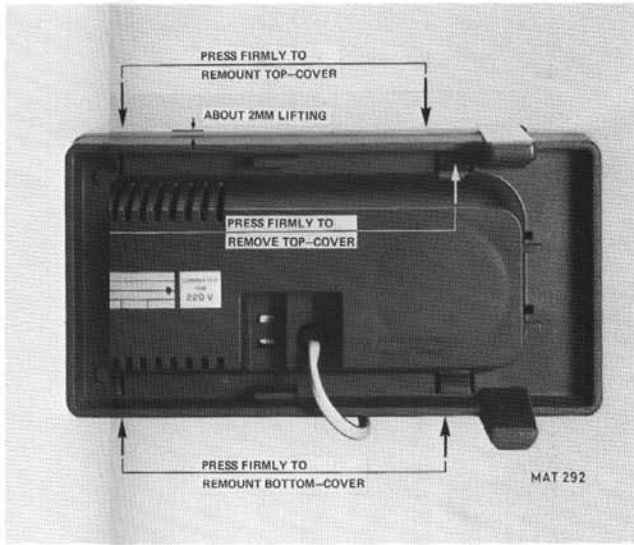


Fig. 2.

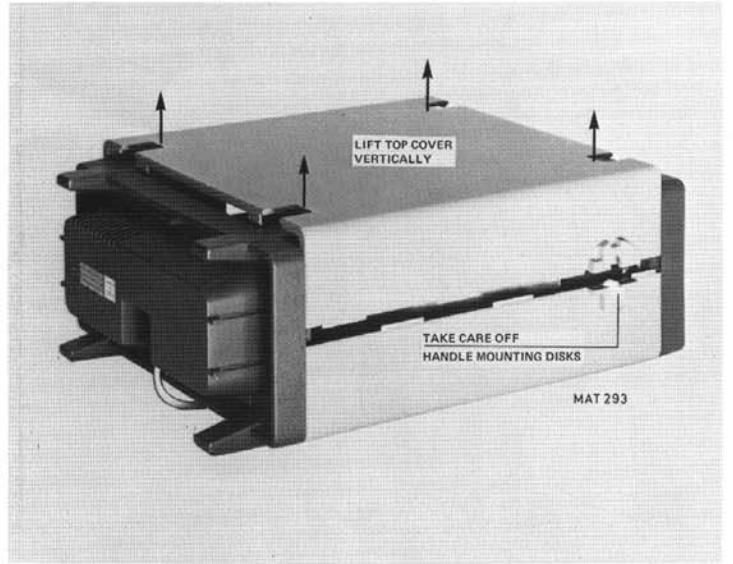


Fig. 3.



Fig. 6.

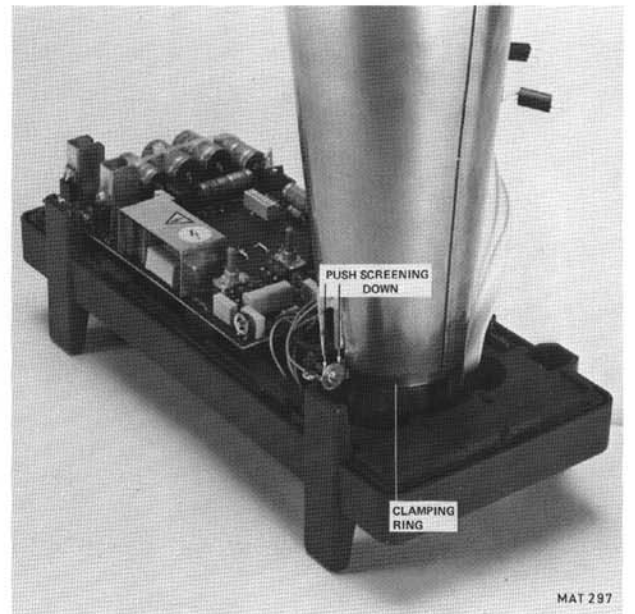
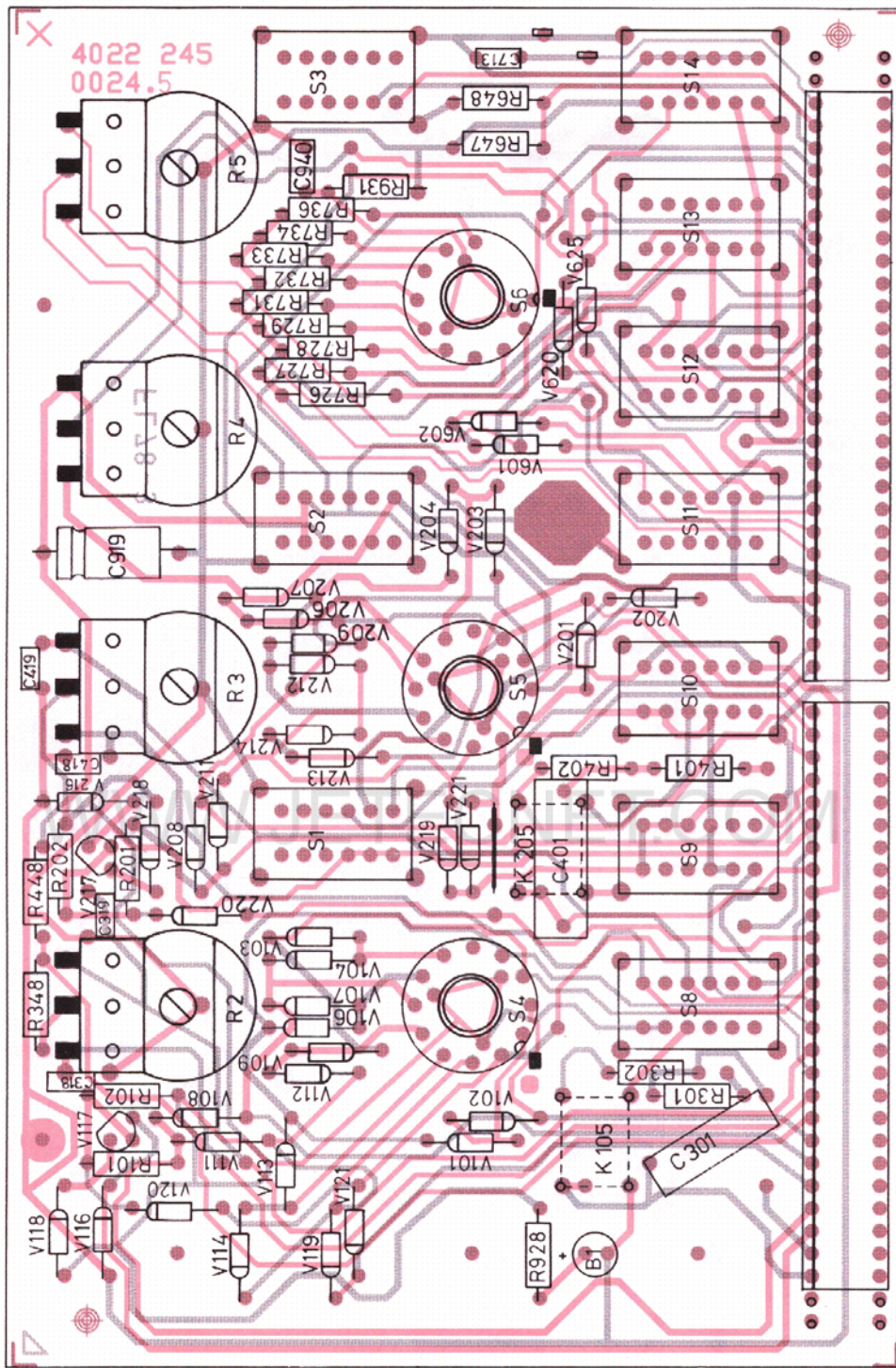


Fig. 7.

ITEM	ORDERING NUMBER	TYPE/DESCRIPTION
V 504	4822 130 34047	BZX75-C1V4
V 506	4822 130 44154	BF199
V 507	4822 130 44154	BF199
V 508	4822 130 44154	BF199
V 509	4822 130 44196	BC548C
V 510	5322 130 34297	BZX79-C10
V 511	5322 130 34297	BZX79-C10
V 512	4822 130 44154	BF199
V 513	4822 130 44154	BF199
V 514	4822 130 44154	BF199
V 516	4822 130 34047	BZX75-C1V4
V 517	4822 130 44154	BF199
V 518	4822 130 34258	BZX79-C56
V 519	4822 130 44154	BF199
V 551	4822 130 30613	BAW62
V 552	4822 130 30613	BAW62
V 553	4822 130 30613	BAW62
V 554	4822 130 30613	BAW62
V 556	4822 130 30613	BAW62
V 557	4822 130 30613	BAW62
V 571	4822 130 41084	BF422 PH
V 572	4822 130 34047	BZX75-C1V4
V 573	4822 130 41084	BF422 PH
V 601	4822 130 30613	BAW62
V 602	4822 130 30613	BAW62
V 603	4822 130 30613	BAW62
V 604	4822 130 30613	BAW62
V 606	4822 130 30613	BAW62
V 607	4822 130 44154	BF199
V 608	4822 130 34167	BZX79-C6V2
V 609	4822 130 30613	BAW62
V 610	4822 130 34173	BZX79-C5V6
V 611	4822 130 44196	BC548C
V 612	4822 130 30613	BAW62
V 613	4822 130 44197	BC558B
V 614	4822 130 44197	BC558B
V 616	4822 130 44197	BC558B
V 617	4822 130 44197	BC558B
V 618	4822 130 44196	BC548C
V 619	4822 130 44196	BC548C
V 620	4822 130 30613	BAW62
V 621	4822 130 30613	BAW62
V 622	4822 130 30613	BAW62
V 623	4822 130 30191	QA95 PH
V 624	4822 130 30191	QA95 PH
V 625	4822 130 30613	BAW62
V 626	4822 130 44196	BC548C
V 627	4822 130 44154	BF199
V 628	4822 130 44197	BC558B
V 629	4822 130 44154	BF199
V 630	4822 130 44197	BC558B
V 631	4822 130 30613	BAW62
V 632	4822 130 44197	BC558B
V 633	4822 130 30613	BAW62
V 701	4822 130 30613	BAW62
V 702	4822 130 30613	BAW62
V 703	4822 130 44197	BC558B
V 704	5322 130 40417	BSX20
V 706	4822 130 30613	BAW62
V 707	4822 130 44196	BC548C
V 709	4822 130 44196	BC548C
V 711	4822 130 44196	BC548C
V 712	4822 130 44196	BC548C
V 713	4822 130 44196	BC548C
V 714	4822 130 44197	BC558B
V 716	4822 130 30613	BAW62
V 717	4822 130 30613	BAW62
V 718	4822 130 30613	BAW62
V 719	4822 130 30613	BAW62
V 721	4822 130 44196	BC548C
V 720	4822 130 30613	BAW62
V 725	4822 130 30613	BAW62
V 730	5322 130 34197	BZX79-C12
V 800	4822 134 34048	BZX75-C2V8



FL7888JF

Fig. 12. P.c.b. of Control Unit

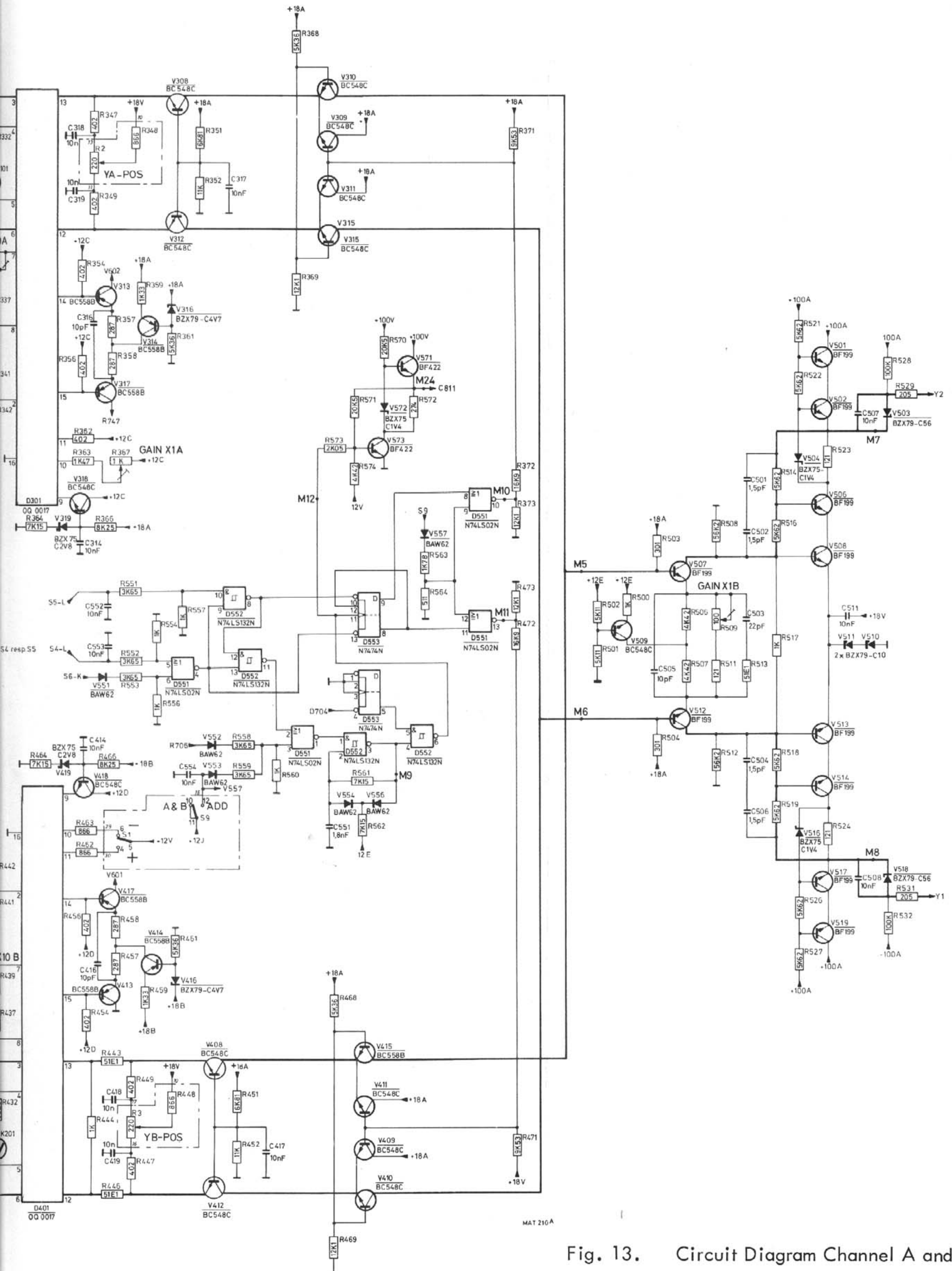


Fig. 13. Circuit Diagram Channel A and B