

# Pulse generator 1 Hz—50 MHz

## PM 5715

Instruction manual

9499 463 01102  
830815



# PHILIPS

## **OPERATING PART**

1. Introduction .....	3
2. Technical data .....	3
3. Accessories .....	5
4. Block diagram description .....	6
5. Installation .....	8
6. Operation .....	12
<b>Gebrauchsanleitung .....</b>	<b>17</b>
<b>Notice d'emploi .....</b>	<b>33</b>
<b>SERVICE MANUAL .....</b>	<b>49</b>

# 1. Introduction

The PM 5715 generates high-quality pulses at a repetition frequency of 1Hz to 50MHz and rise and falltime being independently and continuously variable between 6ns and 0.5s. All of the other important pulse parameters, such as pulse delay, duration and amplitude,

are also variable within a wide range. Normal or inverted pulses with positive or negative polarity, double pulse generation and variable d.c. offset are other versatility parameters provided by the PM 5715. The variable transition time combined with a second TTL matched output make the PM 5715 particularly useful when testing or simulating TTL circuits. Square wave generation and pulse shaping facility extend the range of useful applications.

# 2. Technical data

Properties expressed in numerical values with statement of tolerances are guaranteed.

Numerical values without tolerances are intended for information purposes only and indicate the properties of an average instrument. The numerical values hold good for the nominal mains voltage.

## ELECTRICAL

### Internal triggering

Repetition rate

1Hz...50MHz

Variable in 8 ranges with continuous control within the ranges

Jitter

≤ 0.1% or 50ps whichever is greater

Temperature coefficient

<0.3%/°C

### External triggering

Triggering: input voltage  
max. voltage  
frequency input  
impedance

> +1V to trigger the generator

+12V

0...50MHz

approx. 1kΩ

In mode T/2 the pulse duration is determined by the driver input.

In mode single or double the delay, and pulse duration are set by front panel controls.

Synchronous gating: input voltage  
impedance

> +1V to gate the generator

approx. 1kΩ

Gating signal turns generator "off".

First pulse coincides with trailing edge of the gating pulse.

Delay from trigger (or gate) input to main pulse output with pulse delay set to 10 ns

approx. 50ns

### Single shot operation

Single shot facility by means of push-button

### Sync. output

Square wave, amplitude +1.5V into 50Ω  
(+3V open circuit)

Source impedance: 50Ω

Pulse occurs approx. 40ns ahead of the main pulse with pulse delay set to 10ns.

### **Pulse delay**

Range 10ns...100ms  
Variable in 7 ranges with continuous control within the ranges

Jitter  $\leq 0.1\%$  or 50ps whichever is greater

Temperature coefficient  $< 0.3\%/^{\circ}\text{C}$

### **Pulse duration**

Range 10ns...100ms  
Variable in 7 ranges with continuous control within the ranges

Duty cycle Approaching 100% using inverted pulse output (limited only by minimum duration)  
Greater than 50% in normal operation

Jitter  $\leq 0.1\%$  or 50ps whichever is greater

Temperature coefficient  $< 0.3\%/^{\circ}\text{C}$

### **Modes of operation**

T/2, single pulse or double pulse  
Double pulse mode provides "twin" pulses at set delay with simultaneously controlled pulse duration

### **Auxiliary output**

Amplitude +2.5V into 50 $\Omega$  (+4.5V open circuit)  
Source impedance: 50 $\Omega$   
Pulse occurs approx. 12ns ahead of main pulse  
Pulse delay and duration are set with the controls DELAY and DURATION in all operation modes. Provides single pulse or double pulse but not T/2 or inverted pulse.

### **Main pulse output**

Amplitude 0.2V...10V into 50 $\Omega$   
Variable in 4 ranges (10V, 5V, 1.5V and 0.5V) with continuous control within the ranges

Polarity Positive or negative, normal or inverted

Source impedance Positive 10V: current source (max. 200mA)  
Positions 5V, 1.5V and 0.5V: internally terminated with 50 $\Omega$

Rise and fall time at 5V and lower positions  $\leq 6\text{ns}..0.5\text{s}$   
The transition time remains constant when the main pulse amplitude is varied.  
Independent continuous control within each of 6 ranges.

Waveform aberration  $< \pm 5\%$  of set amplitude

Protection Short and open circuit safe

### **DC-offset**

Continuously variable from +2.5V to -2.5V into 50 $\Omega$   
Pulse amplitude plus d.c. offset max.  $\pm 10\text{V}$

<b>Main supply</b>	Switchable ↔		Solderable ↑↓
Mains voltage	100V ± 15 %	200V ± 15 %	
	115V ± 15 %	230V ± 15 %	
Voltage selector indicates	110V	220V	
Mains frequency	50...400Hz		
Power consumption	70VA		
<b>Temperature range</b>	0... + 40°C		
<b>MECHANICAL</b>			
Dimensions	Depth	275mm	
	Width	210mm	
	Height	130mm	
Weight	4kg		

### 3. Accessories

#### Standard accessories (supplied with the instrument)

- 1 manual
- 1 mains flex
- 1 fuse 400mA, delayed action
- 1 fuse 800mA, delayed action

#### Optional accessories (to be ordered separately)

Termination, 50Ω , 3W	PM 9581
Termination, 50Ω , 1W	PM 9585
Mixing piece, 50Ω	PM 9584
Coaxial cable set, 50Ω	PM 9588*)

\*)contains following cables, type RG58A/U with BNC connectors:

	Delay	Length (mm)	Service codenumber
5x	1ns	200	5322 320 10009
4x	2ns	400	5322 320 10011
3x	3ns	600	5322 320 10012
3x	10ns	1980	5322 320 10013

## 4. Block diagram description

*Note: Figures in brackets refer to waveforms shown in Fig. 4-1.*

### Astable multivibrator

The astable multivibrator generates square wave pulses from which all internal pulses are derived.

Switch REPETITION TIME, SK1, and its vernier, R1, enable adjustment of the repetition time between 1s and 20ns. The multivibrator is inoperative when switch REPETITION TIME is set to position EXT.

### Trigger circuit

In the EXT. mode the pulse generator can be triggered by an external signal applied at connector TRIGG./GATE IN, BU1.

The triggering signal is fed to a Schmitt trigger, producing an appropriate signal for the remaining circuits of the generator.

With no triggering signal applied, a single pulse is generated by the Schmitt trigger when push-button switch SINGLE SHOT, SK5, is depressed. With switch REPETITION TIME set to one of the time positions, the astable multivibrator can be gated by a signal applied at input TRIGG./GATE IN. Bursts of pulses which are synchronized with the gating signal are then obtained.

### Gate, sync. amplifier and first pulse shaper

The output of the gate is available at front panel connector SYNC. OUT, BU2. The repetition frequency and the duty cycle of this signal is determined by the astable multivibrator, or, at external operation, by the triggering signal.

The pulse shaper is controlled by the leading edge of the input signal (1) from the gate. The shaper provides a needle pulse (2) which is controlling the delay circuit.

### Delay circuit, second pulse shaper and duration circuit

The delay circuit delivers pulses (3) whose width is adjusted with the DELAY control, SK2, and its vernier, R2. The trailing edge of these pulses controls the next pulse shaper which feeds a needle pulse (4) to the duration circuit. Similar to the delay circuit, the duration circuit produces pulses whose width is set with the DURATION controls, SK3, and its vernier, R3.

In the DOUBLE mode, a needle pulse (5) derived

from the leading edge of the delay pulse is gated to the input of the duration circuit. Double pulses are then generated. The output of the duration circuit is available at front panel connector AUX. OUT, BU3.

This signal having a fixed amplitude occurs approximately 12ns ahead of the main signal at front panel connector PULSE OUT, BU4.

Normal or inverted mode of the signal at PULSE OUT can be selected with switch NORMAL/INV., SK10.

### Switch T/2, SK8

When the T/2 switch, SK8, is depressed, the delay and duration circuits are separated from the output stage. The signal (1) produced by the internal multivibrator, or the Schmitt trigger, is fed directly to the output stage. However, the AUX. OUT connector still provides the signal with adjustable delay and duration.

In the EXT. position of switch REPETITION TIME and with switch T/2 depressed, the triggering signal applied at input TRIGG./GATE IN is fed only through the output stage and is available at connector PULSE OUT with the same repetition time and duty cycle as the original signal, but with a rise time, shape, and amplitude in conformance with the specification of the PM 5715.

### Ramp generator and output circuit

From switch T/2 the pulses are fed via the differential amplifier to the ramp generator which determines the transition time of the pulses. The rise and fall times are independently and continuously set with controls RISE, R4 and FALL, R5.

An emitter follower provides a low impedance output to the dual-channel output stage. The polarity switch "+ -" diverts the signal into the positive or negative channel.

In both channels, the amplitude can be continuously controlled with the AMPLITUDE vernier R7.

Next, a resistive network provides attenuation of the signal as set with push-button switches AMPLITUDE, SK11...SK14.

The signal is then fed to the output connector, PULSE OUT, BU4.

A d.c.-offset circuit supplies a positive or negative current to the output line so that baseline shift can be introduced by means of control DC-OFFSET, R6.

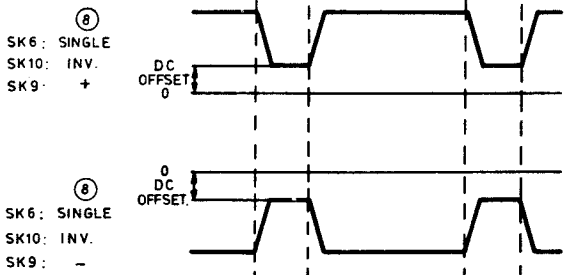
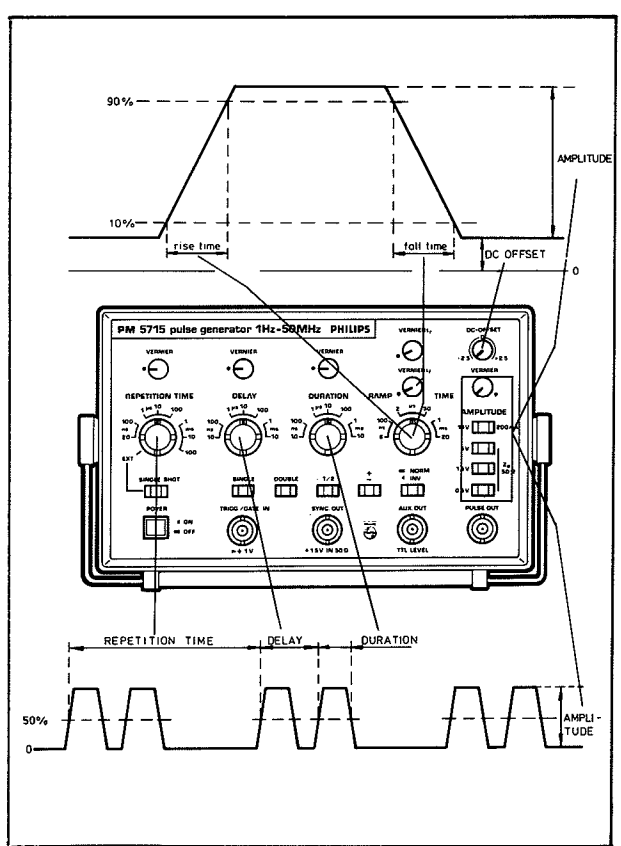
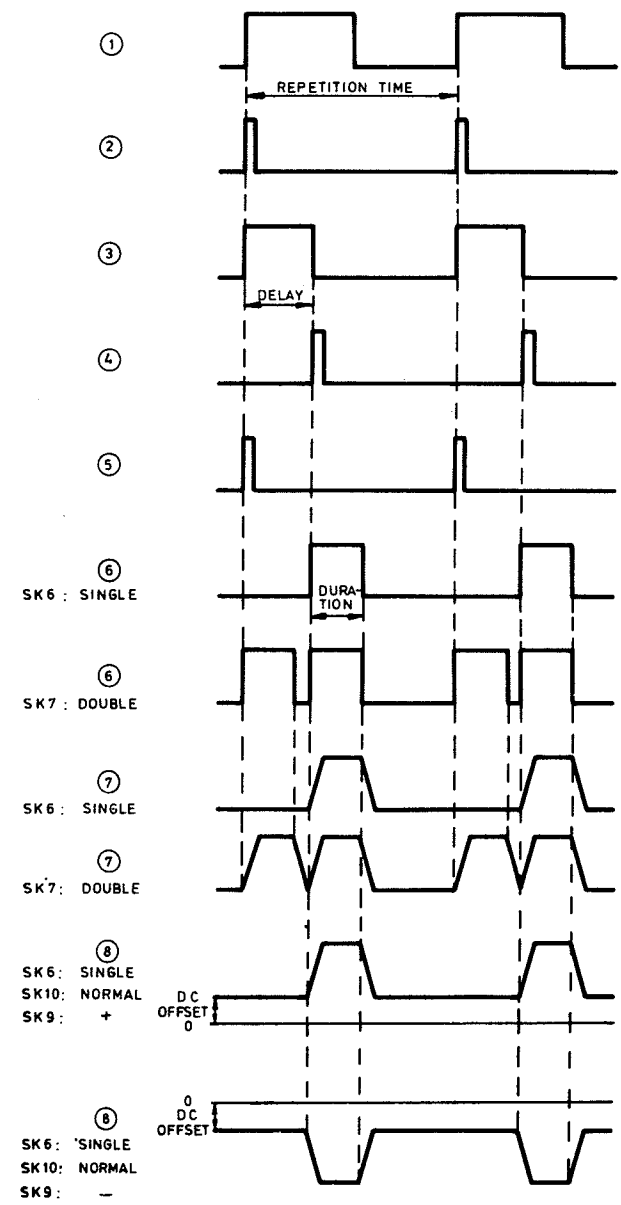
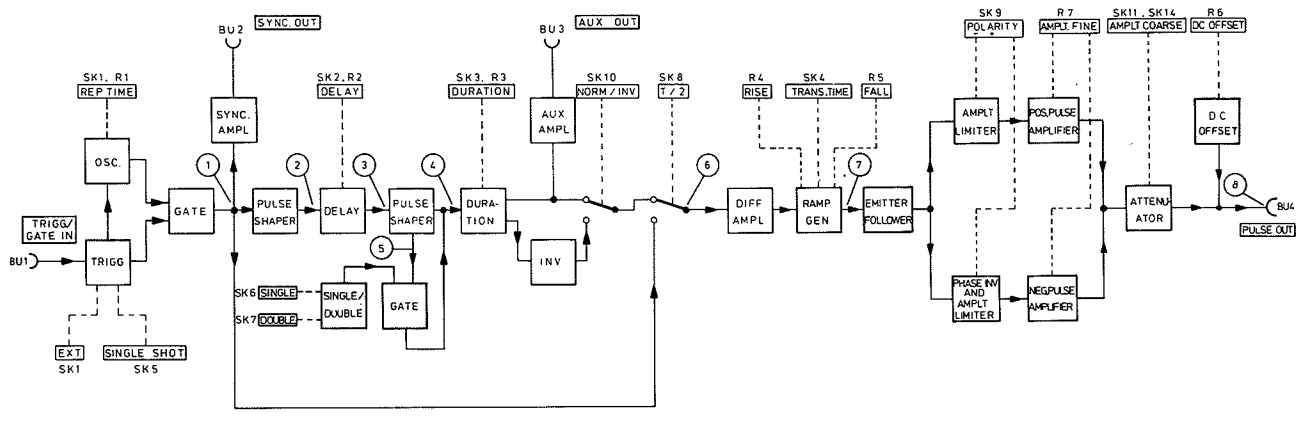


Fig. 4-1. Block diagram

## 5. Installation

### SETTING UP

Always place the instrument so that the air circulation through the airvents in the bottom plate and the top cover is not impeded.

The ambient temperature should be between 0°C and +40°C for operating within the specification.

### SAFETY REGULATIONS

Upon delivery, the instrument complies with the required safety regulations. To maintain this condition and to ensure safe operation, it is recommended to follow the instruction below.

### BEFORE CONNECTING

#### *Mains voltage*

Check whether the instrument is adapted to the nominal mains voltage.

#### *Protection*

This instrument is protected according to class I (protective earth) of the IEC 348 or VDE 0411. The mains cable provides earth connection. Outside specially protected rooms, the mains plug must be connected only to sockets with earthed contact.

### MAINTENANCE AND REPAIR

#### *Failure and excessive stress*

If the instrument is suspected of being unsafe, take it out of operation permanently.

This is the case when the instrument

- shows physical damage
- does not function anymore
- is stressed beyond the tolerable limits (e.g. during storage and transportation)

#### *Dismantling the instrument*

When removing covers or other parts by means of tools, live part or terminals could be exposed. Before opening the instrument, disconnect it from all power sources.

If the open live instrument needs calibration, maintenance or a repair, it must be preformed

only by trained personnel being aware of the risks. After disconnection from all power sources, the capacitors in the instrument may remain charged for some seconds, observe the circuit diagrams.

#### *Repair, replacing parts*

Repair must be made by trained personnel. Ensure that the construction of the instrument is not altered to the detriment of safety. Above all, leakage paths, air gaps and insulation layers must not be reduced.

When replacing, use only original parts. Other spare parts are only acceptable when safety precautions for the instrument are not impaired.

### FUSES

For 220V mains voltage, a 400mA fuse with delayed action is used. For 110V, a delayed 800mA fuse is required.

The fuse is available at the rear panel of the generator.

The fuse-holder can be unscrewed for replacement of the fuse.

Only use the specified fuses.

### MOUNTING

The instrument may be used in any desired position. Do not position the instrument on any surface which produces or radiates heat, or in direct sunlight.

### EARTHING

Before switching on, the instrument must be earthed in conformity with the local safety regulations. The mains cable fixed to the instrument includes a protective conductor, which is connected to the earth contacts of the plug. Thus, when connected to an earthed mains socket the cabinet of the instrument is consequently connected to the protective earth.

**WARNING:** Connect the mains cable plug only to a socket with protective earth contacts. This protection must not be made ineffective, e.g. by using an extension cable without earth protection!

The circuit earth potential applied to the external contacts of BNC sockets is connected to the cabinet. The external contacts of the BNC sockets must not be used to connect a protective conductor.



### MAINS CONNECTION

The instrument must be connected only to an AC supply. Before connecting the instrument to the mains, make sure it is set to the local mains voltage.

Mains connection must be made in accordance with the local safety regulations. This implies that the instrument is connected to mains socket with protective earth contact.

### ADJUSTMENT TO THE LOCAL MAINS VOLTAGE

#### Version /00 to /09 and from version /11

The mains voltage selector SK21 at the rear of the generator can be set to two ranges:

Position	Voltage range	
110V	100...130V	} Frequency 50Hz...400Hz
220V	200...260V	

Two other ranges, 85...115V and 170...230V can be achieved by changing the connection of the mains transformer as described in the Service Manual (chapter 10).

### For version /10

The instrument can be converted into four mains voltage ranges by changing the wiring of the mains transformer (chapter 10). The selected mains voltage range is indicated on the rear panel according to the table:

Voltage range	Mains voltage indicator (rear)	
85...115V	110V	} Frequency 50Hz...400Hz
100...130V	110V	
170...230V	220V	
200...260V	220V	

## CONTROLS, INPUT AND OUTPUT CONNECTORS

Control or connector	Designation	Purpose
SK1	REPETITION TIME EXT	Selection of the repetition time in 8 steps Selection of single shot operation or external triggering
R1	VERNIER	Fine control of repetition time, provides overlap between ranges
SK2 R2	DELAY VERNIER	Selection of delay time in 7 steps Fine control of delay time, provides overlap between ranges
SK3 R3	DURATION VERNIER	Selection of pulse duration in 7 steps Fine control of pulse duration, provides overlap between ranges
SK4 R4 R5 R6	RAMP TIME VERNIER $t_r$ VERNIER $t_f$ DC-OFFSET	Selection of ramp time in 6 ranges Continuous control of risetime within set range Continuous control of falltime within set range Continuous baseline shift from +2.5V to -2.5V
SK11 SK12 SK13 SK14	10V } 5V } AMPLITUDE 1.5V } 0.5V }	Selection of output amplitude
R7	VERNIER	Continuous control of output amplitude. Provides overlap between ranges
SK5	SINGLE SHOT	When SK1 is set to EXT. and no triggering signal is applied to BU1, TRIGG./GATE IN, a single pulse is produced when SK5 is depressed
SK6 SK7	SINGLE } DOUBLE }	Selection of single or double pulse
SK8	T/2	Internal operation: Selection of an output pulse train with duty cycle $\approx 50\%$ External operation: Shaping of applied triggering signal
SK9	$\pm$	Set delay and duration do not influence Selection of positive or negative polarity of output pulse
SK10 SK15 BU1 BU2	NORM./INV. POWER ON-OFF TRIGG./GATE IN SYNC. OUT	Selection of normal or inverted output pulse Mains switch Accepts triggering or gating signals Provides synchronizing signal with fixed amplitude (+2.5V into 50 $\Omega$ ) derived from the internal source or triggering signal Typical risetime 10ns, falltime 5ns
BU3	AUX. OUT	Provides auxiliary signal with fixed amplitude +2.5V into 50 $\Omega$ Typical risetime 10ns, falltime 5ns Variable repetition time, delay and duration
BU4 BU21 (rear) BU22 (rear) SK21 (rear)	PULSE OUT	No inverted pulses Provides main pulses Input connector for mains supply Earthing clamp Mains voltage selector

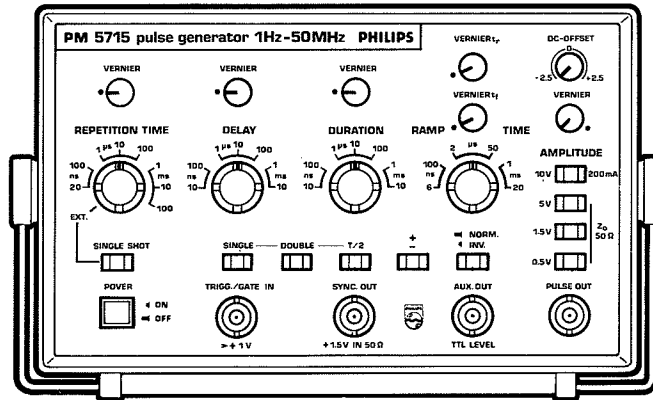


Fig. 5-1. Controls, input/output sockets at the front

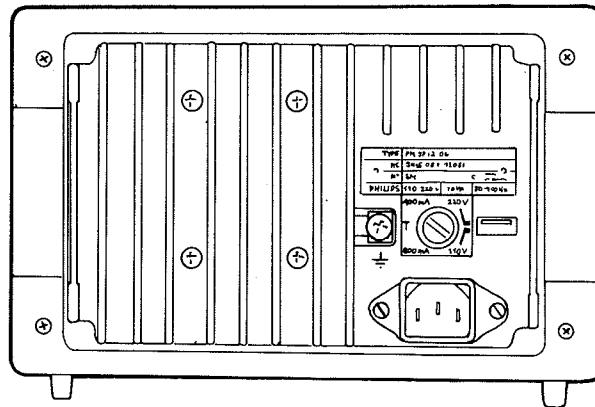


Fig. 5-2. Controls, input/output sockets at the rear, version /00 to /10

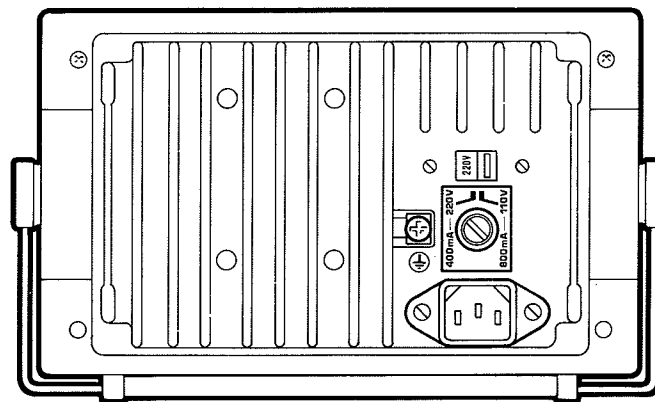


Fig. 5-3. Controls, input/output sockets at the rear, version /11

## 6. Operation

### GENERAL

When exercising the use of the PM 5715 or employing the generator in practical set-ups it is recommended to use the Philips 200ps oscilloscope PM 3400 as displaying unit.

This oscilloscope enables error-free presentation of the 6ns transition time of the PM 5715 and high resolution close-ups of minor pulse details. A conventional oscilloscope with slower rise time can be used, but at the expense of the pulse characteristics.

### PULSE OUT OUTPUT, AMPLITUDE CONTROL AND DC OFFSET

The PULSE OUT output can stand open circuit and short circuit conditions. In the lowest amplitude ranges, 0.5V, 1.5V and 5V, the output is internally terminated with 50Ω.

In the 10V range, a current source provides a maximum current output of 200mA. Higher current can be taken out, however at the expense of pulse amplitude.

If the device under test is not determined with 50Ω, it is recommended to use the Philips 50Ω terminations PM 9581, 3W, or PM 9585, 1W, which are available as optional accessories. Continuous setting of the pulse amplitude within each of the four ranges is made with the amplitude VERNIER, from 0.2V to 10V.

The DC-OFFSET control provides a baseline shift from +2.5V to -2.5V. The control is mechanically locked in the zero position, thus preventing any offset voltage to be introduced by accident.

The total sum of d.c.-offset and pulse amplitude is maximum 10V.

Consequently, at the highest amplitude position, d.c.-offset is added at the expense of pulse amplitude.

### OUTPUTS AUX. OUT AND SYNC. OUT

Output AUX. OUT provides an auxiliary signal at a fixed amplitude of +2.5V into a 50Ω load. A high-ohmic load makes the amplitude increase to maximum +4.5V at open circuit. The AUX. OUT output is always connected to the delay and duration circuits of the generator, even in the T/2 mode, but remains unaffected by the DC-OFFSET control, NORM./INV. and polarity (" + - ") switches.

The typical rise time of the output pulse is

10ns; typical fall time is 5ns. The signal occurs approximately 12ns before the main signal at the PULSE OUT connector and can be fed directly into TTL circuits.

The output SYNC. OUT is connected to the internal square wave multivibrator or, in the EXT. position, to the trigger circuit.

In the internal mode the signal is a square wave with the set repetition time but unaffected by the set delay, duration or other settings. In the EXT. position, the triggering signal determines the repetition time and duty cycle of the SYNC. OUT signal.

This signal occurs approximately 40ns before the main signal at the PULSE OUT connector when the DELAY control is set to 10ns.

The amplitude is fixed to +1.5V into a 50Ω load (+3V open circuit).

Typical rise time is 10ns; typical fall time is 5ns. The signal can be used to trigger external equipment, e.g. an oscilloscope.

### RAMP TIME CONTROL, $t_r$ AND $t_f$ VERNIERS

The ramp time can be set to 6 ranges with continuous and independent control of rise time (vernier  $t_r$ ) and fall time (vernier  $t_f$ ) within each of the ranges.

The rise and fall time is defined between the 10% and 90% levels of the total amplitude, see Fig. 6-1.

Figure 6-2 shows that point A and B are fixed when the rise and fall times are varied. Assuming equal value of rise and fall time, the pulse duration remains constant when the ramp time is changed, or when the amplitude is varied as shown in Fig. 6-3.

Figure 6-4 shows that the pulse duration decreases when e.g. the rise time exceeds the fall time and the amplitude is kept constant. If the amplitude is also decreased, the pulse duration will increase, as shown in Fig. 6-5.

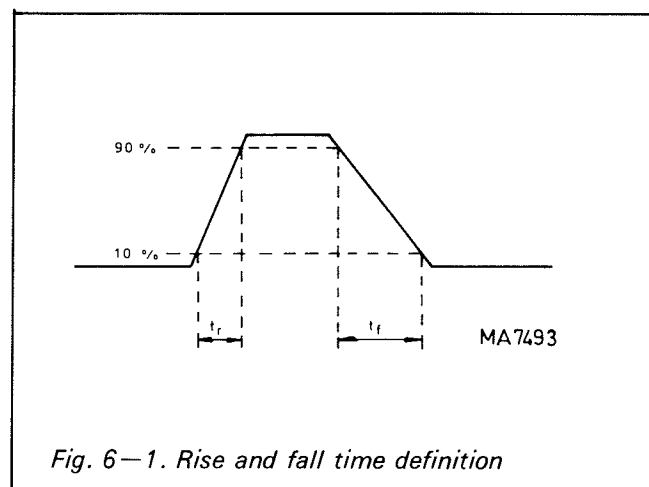
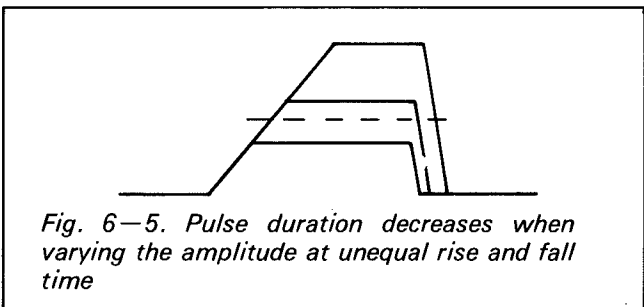
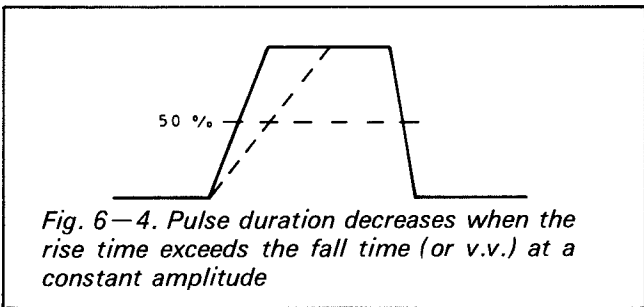
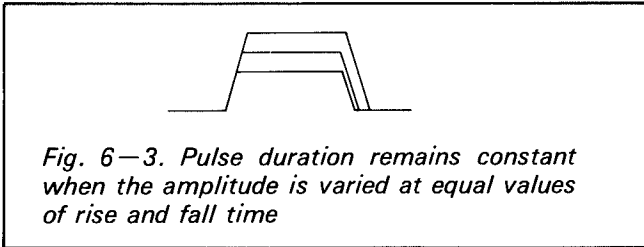
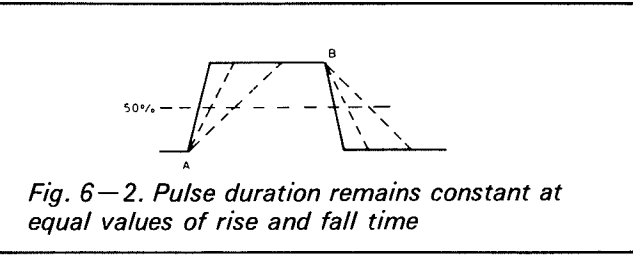


Fig. 6-1. Rise and fall time definition



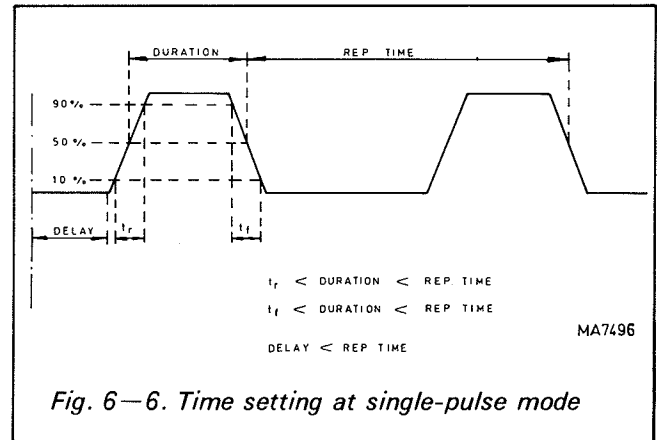
### SINGLE PULSE MODE

Repetition time, pulse delay and duration are defined in Fig. 6-6 which also shows the relationship between these parameters and pulse rise and fall times.

- Set controls REPETITION TIME and DURATION to the desired values
- Set control DELAY to 10ns or to a position required to show the leading edge on the oscilloscope
- Use the SYNC. OUT signal to trigger the oscilloscope
- Select the suitable RAMP TIME range and set the  $t_r$  and  $t_f$  verniers
- Depress push-button SINGLE
- Select normal or inverted pulses with switch NORM./INV. and pos. or neg. polarity with "+ -"
- Set the AMPLITUDE switches and vernier to required value

Note that when the verniers of controls REPETITION TIME, DELAY, DURATION and RAMP TIME are set to the white dot, the settings approximately correspond to the value indicated by the switch knob.

The white dot does not coincide with the extreme position of the vernier, hence providing a small overlap range.

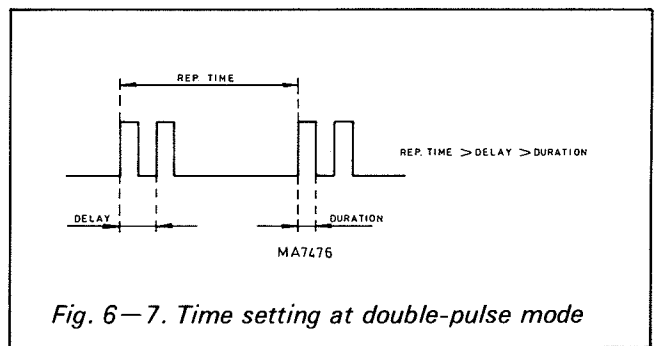


### DOUBLE PULSE MODE

Proceed as with SINGLE pulse mode, but depress button DOUBLE.

Note, however, the relationship between repetition time, pulse delay and pulse duration shown in Fig. 6-7.

Use the DELAY controls to change the spacing between the twin pulses.



### SQUARE WAVE MODE (T/2)

- Set switch REPETITION TIME to the desired position
- Depress button T/2
- Select positive or negative pulse output

At the PULSE OUT connector a square wave signal is available. Amplitude and d.c.-offset are variable. At the two fastest positions of the REPETITION TIME switch, the duty factor is  $50\% \pm 20\%$ .

Note that the output AUX. OUT provides a signal with the same repetition time but with variable delay and duration (Fig. 6-8).

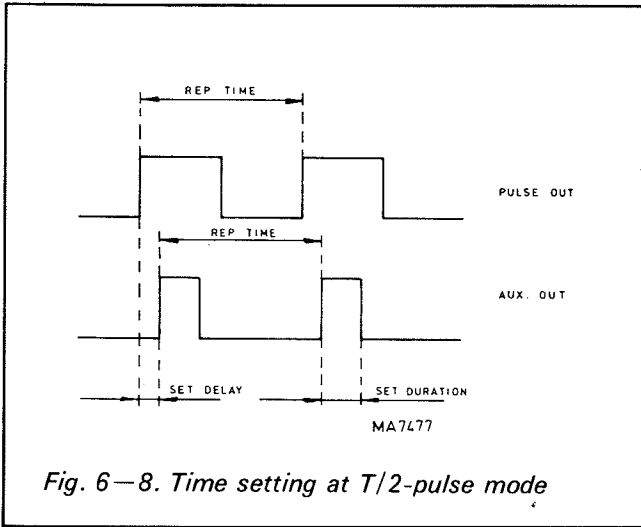


Fig. 6-8. Time setting at T/2-pulse mode

### GATED SINGLE OR DOUBLE PULSES

Connect the gating signal to input TRIGG./GATE IN. The amplitude of the gating signal should exceed +1V. Maximum amplitude is +12V. The positive-going edge of the gating signal turns the generator off. The generator can be gated both in the single and double pulse mode. Select the proper relationship between repetition time, gating pulse duration, internal pulse delay and duration as described in sections RAMP TIME and SINGLE PULSE, and as shown in Fig. 6-9 and 6-10.

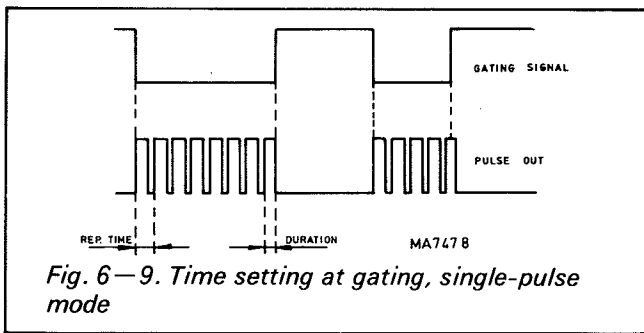


Fig. 6-9. Time setting at gating, single-pulse mode

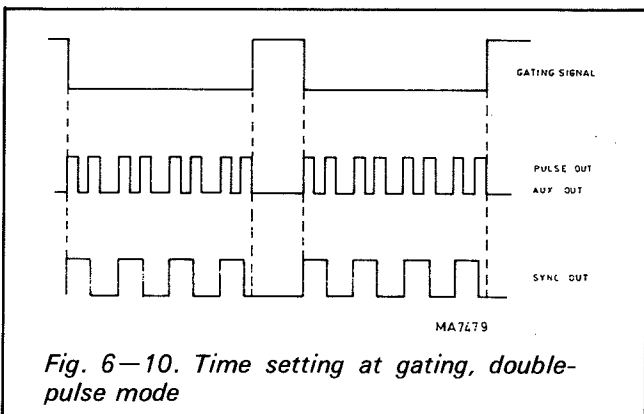


Fig. 6-10. Time setting at gating, double-pulse mode

The gating is synchronous which means that the first pulse coincides with the trailing edge of the gating pulse. The last pulse maintains the set duration even if the gating pulse ends during the pulse.

The overall delay from input TRIGG./GATE IN to output PULSE OUT is approximately 50ns when switch DELAY is set to 10ns.

### EXTERNAL TRIGGERING

- Set switch REPETITION TIME to position EXT.
- Connect a triggering signal with amplitude > +1V, (max. +12V) frequency 0-50MHz, to connector TRIGG./GATE IN

The internal multivibrator is now inoperative

- Depress buttons SINGLE or DOUBLE and set DELAY accordingly (See sections RAMP TIME and SINGLE PULSE)

Outputs PULSE OUT and AUX. OUT provide signals with the same repetition time as the triggering signal but with delay and duration as set with the front panel controls.

The SYNC. OUT output provides a square wave with the same repetition time and duty cycle as the triggering signal.

### PULSE SHAPING

- Set switch REPETITION TIME to position EXT.
- Apply the signal to be shaped to input TRIGG./GATE IN (amplitude +1V to +12V)
- Depress button T/2
- Select suitable amplitude, d.c.-offset and positive or negative output

The PULSE OUT connector now provides a signal with the same repetition time and duty cycle as the input signal, but shaped (waveform aberration, transition time) according to the generator's specification (Fig. 6-11). Pulse delay and duration can be varied on the signal available at AUX. OUT.

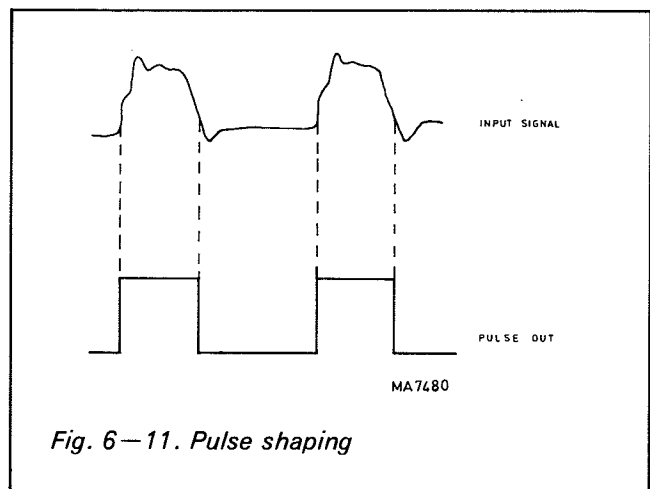


Fig. 6-11. Pulse shaping

## SINGLE SHOT

- Set switch REPETITION TIME to position EXT.
- Set DURATION and DELAY to desired values
- Select NORMAL or INVERTED mode, amplitude and d.c.-offset
- Depress the SINGLE SHOT button

One and only one pulse is now generated having a duration as set with the front panel controls.

Electronic switching circuits ensure bounce-free switching.

Outputs SYNC. OUT and AUX. OUT also provide the single pulse (Fig. 6-12).

By depressing switch T/2 the delay and duration circuits are disconnected from output PULSE OUT.

The pulse generated remains at PULSE OUT as long as switch SINGLE SHOT is depressed.

The AUX. OUT connector, however, still provides a single pulse whose duration is set with the front panel controls (Fig. 6-13).

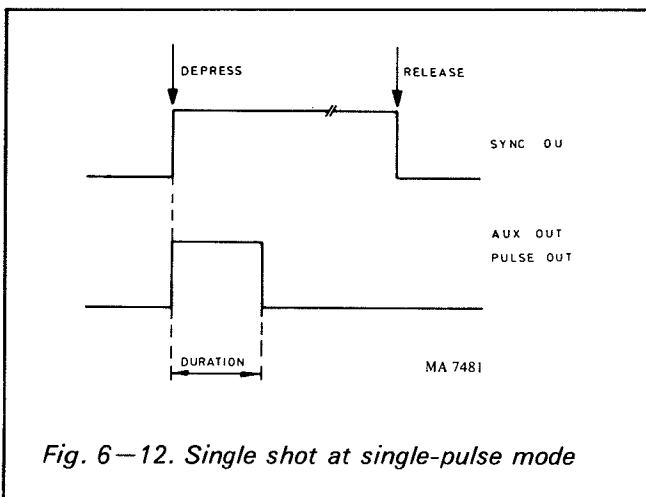


Fig. 6-12. Single shot at single-pulse mode

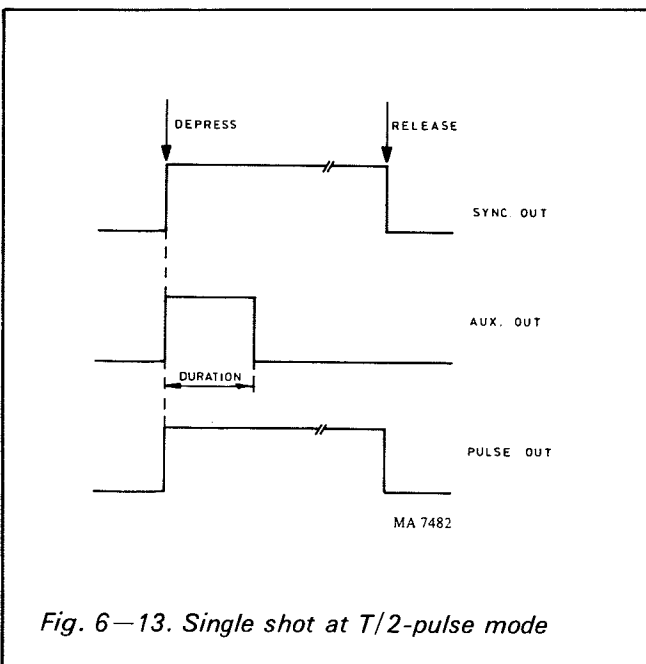


Fig. 6-13. Single shot at T/2-pulse mode

## DUAL CHANNEL ARRANGEMENT

By combining two PM 5715 a true dual channel generator is achieved.

The one generator can be placed on top of the other to save bench space (Fig. 6-14).

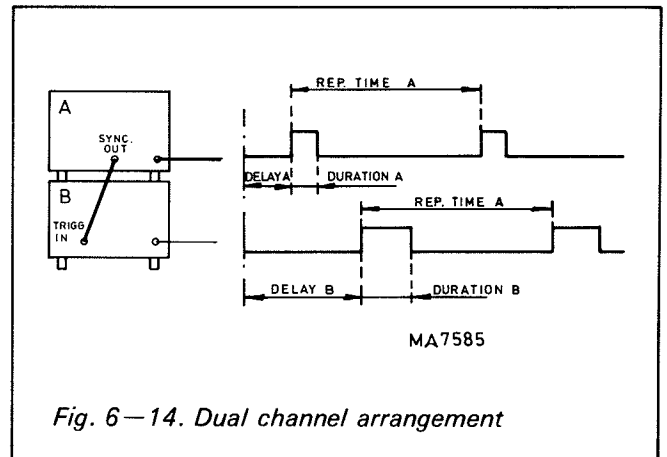


Fig. 6-14. Dual channel arrangement

### Set the controls of generator A:

REPETITION TIME > DURATION and DELAY  
Connect SYNC. OUT of generator A to TRIGG./GATE IN of generator B

### Set the controls of generator B:

REPETITION TIME to EXT  
Controls DURATION and DELAY to values less than the repetition time of generator A

The delay and duration of the two pulses A and B can be varied independently as well as selection of single or double pulse mode, amplitude, d.c.-offset, normal or inverted mode. The repetition time is determined by generator A.

## MIXING THE OUTPUTS OF TWO GENERATORS

To generate more complex pulse patterns it is feasible to interconnect two PM 5715 and mix their output signals (Fig. 6-15).

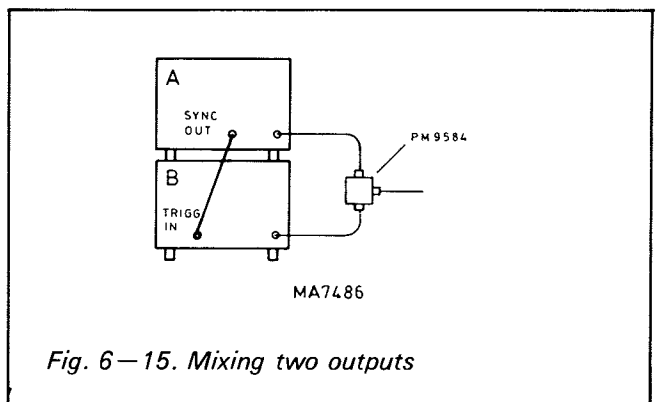


Fig. 6-15. Mixing two outputs

## 4. Beschreibung des Blockschaltbildes

*Anm: Die in Klammern stehenden Ziffern beziehen sich auf die Impulsformen in Abb. 4—1.*

### Astabiler Multivibrator

Der astabile Multivibrator erzeugt Rechteckimpulse, von denen alle internen Impulse abgeleitet werden.

Schalter SK1, REPETITION TIME, und der zugehörige Feineinsteller R1 dienen zur Einstellung der Impulsfolge zwischen 20ns und 1s. Wenn der Schalter REPETITION TIME in Stellung EXT. steht, ist der Multivibrator ausgeschaltet.

### Triggerschaltung

Bei externer Steuerung kann der Impulsgenerator von einem externen Signal an Buchse TRIGG./GATE IN, BU 1 getriggert werden.

Das Triggersignal gelangt an den Schmitt-Trigger, der ein für die übrigen Schaltungen des Generators geeignetes Signal erzeugt.

Wenn kein Triggersignal zugeführt wird, erzeugt der Schmitt-Trigger einen einzelnen Impuls, wenn die Taste SINGLE SHOT, SK5, gedrückt wird.

Wenn mit Schalter REPETITION TIME eine Zeit eingestellt ist, kann der astabile Multivibrator von einem Signal an der Eingangsbuche TRIGG./GATE IN getastet werden. Man erhält dann mit dem Tastsignal synchrone Impulsreihen.

### Taststufe, Sync.-Verstärker und erster Impulsformer

Die Ausgangsspannung der Taststufe liegt an der Vorderseite des Gerätes an Buchse SYNC. OUT, BU2. Die Wiederholfrequenz und das Tastverhältnis dieses Signals werden von dem astabilen Multivibrator oder, bei externem Betrieb, vom Triggersignal bestimmt.

Der Impulsformer wird von der Vorderflanke des Ausgangssignals (1) der Taststufe gesteuert. Der Impulsformer liefert einen Nadelimpuls (2), der die Verzögerungsschaltung steuert.

### Verzögerungsschaltung, zweiter Impulsformer und Impulsdauerschaltung

Die Verzögerungsschaltung liefert Impulse (3), deren Dauer mit SK2 und R2, DELAY, eingestellt wird.

Die Rückflanke dieser Impulse steuert den nächsten Impulsformer, der einen Nadelimpuls (4) an die Impulsdauerschaltung gibt.

Ebenso wie die Verzögerungsschaltung erzeugt auch die Impulsdauerschaltung Impulse, deren Dauer mit SK3 und R3, DURATION, eingestellt wird.

Bei Doppelimpulsbetrieb steuert ein Nadelimpuls (5), der von der Vordeflanke des Verzögerungsimpulses abgeleitet ist, den Eingang der Impulsdauerschaltung. Dadurch werden Doppelimpulse erzeugt. Das Ausgangssignal der Impulsdauerschaltung kann an der Buchse AUX. OUT., BU3, an der Vorderseite des Gerätes abgenommen werden.

Dieses Signal, mit konstanter Amplitude, erscheint etwa 12ns vor dem Hauptsignal an der Vorderseite des Gerätes an Buchse PULSE OUT, BU4.

Das Signal an PULSE OUT kann normal oder invertiert abgenommen werden, einstellbar mit Schalter NORMAL/INV., SK10.

### Schalter T/2, SK8

Wenn Schalter T/2, SK8, gedrückt wird, sind die Verzögerungs- und Impulsdauerschaltungen von der Endstufe getrennt.

Signal(1) vom internen Multivibrator, oder dem Schmitt-Trigger, kommt direkt an die Endstufe. An Buchse AUX. OUT kann aber gleichzeitig ein Signal mit einstellbarer Verzögerung und Dauer abgenommen werden.

In Stellung EXT. des Schalters REPETITION TIME und wenn Schalter T/2 gedrückt ist, kommt das an Eingang TRIGG./GATE IN angelegte Triggersignal nur zur Endstufe und steht an Buchse PULSE OUT mit derselben Wiederholzeit und demselben Tastverhältnis wie das ursprüngliche Signal zur Verfügung, aber mit einer Anstiegszeit und Impulsform nach der Spezifikation des PM 5715.

### Flankensteilheitsgenerator und Ausgangsstufe

Von Schalter T/2 gelangen die Impulse über einen Differentialverstärker an den Flankensteilheitsgenerator, von dem die Flankensteilheit der Impulse abhängt. Die Anstiegs- und abfallzeiten lassen sich unabhängig voneinander und stufenlos mit den Knöpfen RISE, R4, und FALL, R5, einstellen.

Ein Emitterfolger sorgt für eine niederohmige Ausgangsimpedanz für die Zweikanalendstufe. Mit dem Polaritätsschalter "+ -" kann das Signal an den positiven oder negativen Kanal geschaltet werden. In beiden Kanälen lässt sich



die Amplitude stufenlos mit Knopf R7, AMPLITUDE, einstellen.  
 Mit den Tastenschaltern AMPLITUDE SK11... SK14 lässt sich das Signal mit einem Widerstandsnetzwerk abschwächen.  
 Dann kommt das Signal an die Ausgangsbuchse

PULSE OUT, BU4.  
 Über die Nullpegelverschiebung wird ein positiver oder negativer Strom dem Ausgangssignal zugesetzt, so dass mit Knopf R6, DC OFFSET, die Nulllinie verschoben werden kann.

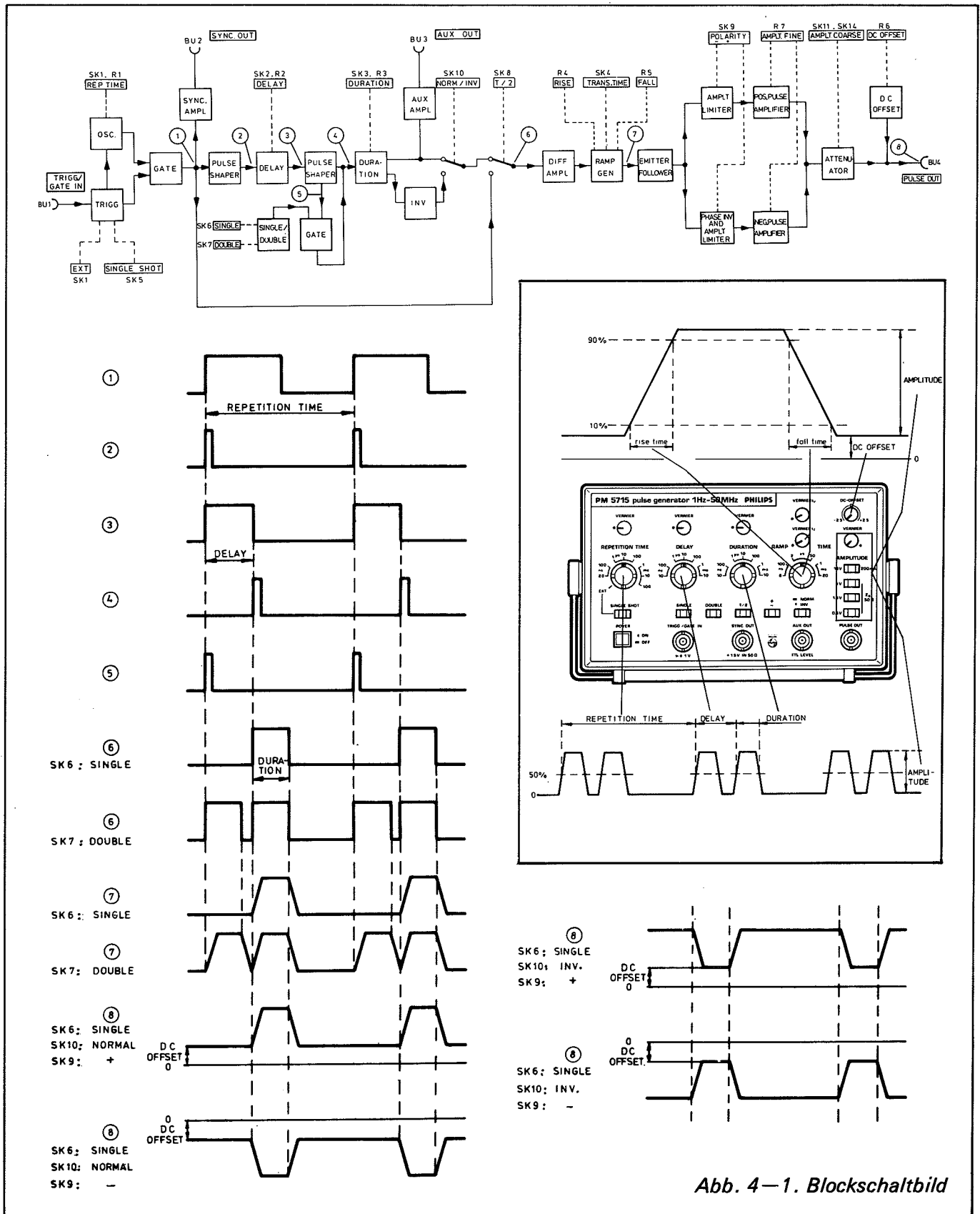


Abb. 4-1. Blockschaltbild

## 5. Aufstellung und Inbetriebnahme

Das Gerät ist immer so aufzustellen, dass die Luft durch die Löcher auf der Ober- und Unterseite zirkulieren kann. Zur Einhaltung der technischen Daten sollte die Umgebungstemperatur zwischen 0°C und 40°C liegen.

### WICHTIGE SICHERHEITSTECHNISCHE HINWEISE

Dieses Gerät hat das Werk in sicherheitstechnisch einwandfreiem Zustand verlassen. Zur Erhaltung dieses Zustands und seines gefahrlosen Betriebs empfehlen wir, die nachfolgenden Hinweise sorgfältig zu beachten.

### VOR DEM ANSCHLIESSEN

#### *Netzspannung*

Es ist sicherzustellen, dass die eingestellte Betriebsspannung des Geräts und die Nenn-Netzspannung übereinstimmen.

#### *Schutzklasse*

Dieses Gerät ist ein Gerät der Schutzklasse I (Schutzleiteranschluss) gemäss IEC 348 oder VDE 0411. Die Netzzuleitung enthält einen Schutzleiter. Ausser in besonders zugelassenen Räumen darf der Netzstecker nur in Schutzkontaktsteckdosen eingeführt werden.

Jede Unterbrechung des Schutzleiters innerhalb des Geräts oder in der Netzzuleitung ist unzulässig.

### REPARATUR UND WARTUNG

#### *Fehler und aussergewöhnliche Beanspruchungen*

Wenn anzunehmen ist, dass ein gefahrloser Betrieb nicht mehr möglich ist, so ist das Gerät ausser Betrieb zu setzen und gegen unabsichtlichen Betrieb zu sichern.

Dieser Fall tritt ein

- wenn das Gerät sichtbare Beschädigungen aufweist
- wenn das Gerät nicht mehr arbeitet
- nach Überbeanspruchungen jeglicher Art (z.B. Lagerung, Transport), die zulässigen Grenzen überschreiten.

#### *Öffnen des Geräts*

Beim Öffnen von Abdeckungen oder Entfernen von Teilen mit Werkzeug können spannungsführende Teile freigelegt werden. Auch können Anschlussstellen spannungsführend sein. Vor dem Öffnen des Geräts ist es von allen Spannungsquellen zu trennen.

Wenn danach eine Kalibrierung, Wartung oder Reparatur am geöffneten Gerät unter Spannung unvermeidlich ist, so darf das nur durch eine Fachkraft geschehen, welche die damit verbundenen Gefahren kennt. Kondensatoren im Gerät können noch geladen sein, selbst wenn das Gerät von allen Spannungsquellen getrennt wurde, die Schaltbilder sind zu beachten.

#### *Reparatur, Ersatz von Teilen*

Reparaturen sind fachgerecht durchzuführen. Dabei ist besonders darauf zu achten, dass die konstruktiven Merkmale des Geräts nicht sicherheitsmindernd verändert werden. Insbesondere dürfen die Kriech- und Luftstrecken und die Abstände durch die Isolierung hindurch nicht verkleinert werden.

Zum Ersatz nur Originalteile verwenden. Andere Ersatzteile sind nur zulässig, wenn dadurch die sicherheitstechnischen Eigenschaften des Geräts nicht verschlechtert werden.

### SICHERUNGEN

Für eine Netzspannung von 220V muss das Gerät eine Sicherung von 400mA, träge, erhalten. Für 110V ist eine träge Sicherung von 800mA erforderlich.

Die Sicherung befindet sich an der Rückseite des Generators.

Der Sicherungshalter lässt sich zum Ersetzen der Sicherung aufschrauben.

Es dürfen nur die vorgeschriebenen Sicherungen verwendet werden.

### AUFSTELLEN

Das Gerät darf in beliebiger Lage aufgestellt und betrieben werden. Es ist darauf zu achten, dass das Gerät nicht auf andere Wärmequellen gestellt oder übermässiger Wärmeeinstrahlung ausgesetzt wird.

### ERDEN

Das Gerät muss den örtlichen Vorschriften entsprechend geerdet werden. Die Netzzuleitung

enthält einen Schutzleiter und ist mit einem Schutzkontaktstecker versehen. Hierdurch wird beim Anschluss an eine Schutzkontaktsteckdose das Gehäuse des Geräts zwangsläufig mit Schutz Erde verbunden.

**ACHTUNG:** Der Netzanschlusstecker darf nur in eine Schutzkontaktsteckdose eingeführt werden. Diese Schutzmassnahme darf nicht unwirksam gemacht werden, z.B. durch eine unvollkommene Verlängerungsleitung!

Die Aussenkontakte der BNC-Buchsen führen das Schaltungsnullpunkt-Potential und sind mit dem Gehäuse verbunden.

Eine Schutz Erdung über Aussenkontakte der BNC-Buchsen ist unzulässig!

## NETZANSCHLUSS

Dieses Gerät darf nur an Wechelspannung betrieben werden. Überprüfen Sie vor Anschluss des Geräts, dass es auf die örtliche Netzspannung eingestellt ist.

Das Gerät ist den örtlichen Sicherheitsvorschriften entsprechend an das Netz anzuschliessen. Dazu ist das Gerät über die Netzzuleitung mit einer Schutzkontaktsteckdose zu verbinden.

## EINSTELLEN DER NETZSPANNUNG

### Ausführung /00 bis /09 und Ausführung /11

Der Wahlschalter SK21 für Netzspannung auf der Rückseite des Generators kann auf zwei Bereiche eingestellt werden:

Position	Spannungsbereich	Frequenz 50Hz bis 400Hz
110V	100 – 130V	
220V	200 – 260V	

Zwei weitere Bereiche, 85 bis 115V und 170 bis 230V stehen durch ein Umlegen der Haupttransformatoranschlüsse, wie im Wartungshandbuch, Kapitel 10, beschrieben zur Verfügung.

## Ausführung /10

Das Gerät kann für vier Netzspannungsbereiche dadurch eingestellt werden, dass die Anschlüsse des Haupttransformators umgestellt werden (Kapitel 10). Die gewählte Netzspannung wird auf der Rückwand entsprechend der nachstehenden Tabelle angezeigt.

Spannungsbereich	Netzspannungsanzeige (Rückwand)	Frequenz 50 bis 400Hz
85 bis 115V	110V	
100 bis 130V	110V	
170 bis 230V	220V	
200 bis 260V	220V	

## BEDIENUNGSORGANE, EINGANGS- UND AUSGANGSBUCHSEN

Bedienungsorgan oder Buchse	Bezeichnung	Beschreibung
SK1	REPETITION TIME EXT	Einstellung der Wiederholzeit in 8 Stufen Wahl von Einzelimpulsbetrieb oder externer Triggerung
R1	VERNIER	Feineinstellung der Wiederholzeit, mit Überlap- pfung der einzelnen Bereiche
SK2 R2	DELAY VERNIER	Einstellung der Verzögerungszeit in 7 Stufen Feineinstellung der Verzögerungszeit, mit Überlappung der einzelnen Bereiche
SK3 R3	DURATION VERNIER	Einstellung der Impulsdauer in 7 Stufen, Feineinstellung der Impulsdauer, mit Überlap- pfung der einzelnen Bereiche
SK4	RAMP TIME	Einstellung der Anstiegs- und Abfallzeiten in 6 Bereichen
R4	VERNIER $t_r$	Stufenlose Einstellung der Anstiegszeit in- nerhalb des Bereiches
R5	VERNIER $t_f$	Stufenlose Einstellung der Abfallzeit innerhalb des Bereiches
R6	DC-OFFSET	Stufenlose Nullpegelverschiebung von +2,5V bis -2,5V
SK11 SK12 SK13 SK14	10V } 5V } 1.5V } AMPLITUDE 0.5V }	Einstellung der Ausgangsamplitude
R7	VERNIER	Stufenlose Einstellung der Ausgangsamplitude, mit Überlappung der einzelnen Bereiche
SK5	SINGLE SHOT	Wenn SK1 auf EXT. steht und BU1, TRIGG./GATE IN, kein Triggersignal zugeführt wird, wird beim Drücken von SK5 ein einzelner Impuls erzeugt.
SK6 SK7	SINGLE } DOUBLE }	Einstellung von Einfach- oder Doppelimpulsen
SK8	T/2	Interner Betrieb: Einsteller von Ausgangsim- pulsen mit einem Tastverhältnis von ca. 50% Externer Betrieb: Impulsformung des angeschlossenen Triggersignals Impulsverzögerung und Impulsdauer können nicht eingestellt werden
SK9 SK10	± NORM./INV.	Einstellung der polarität der Ausgangsimpulse Einstellung von normalen oder invertierten Ausgangsimpulsen
SK15 BU1 BU2	POWER ON-OFF TRIGG./GATE IN SYNC. OUT	Netzschalter Eingang für Trigger- oder Tastsignale Ausgang für Synchronisiersignal mit fester Am- plitude (+2,5V an 50Ω), das von der internen Impulsquelle oder dem Triggersignal abgeleitet ist.
BU3	AUX. OUT	Typische Anstiegszeit 10ns, Abfallzeit 5ns. Ausgang für Zusatzsignal mit einer festen Am- plitude von +2,5V an 50Ω.

BU4  
 BU21 (Rückseite)  
 BU22 (Rückseite)  
 SK21 (Rückseite)

PULSE OUT

Typische Anstiegszeit 10ns, Abfallzeit 5ns.  
 Variable Wiederholzeit, Impulsverzögerung und Impulsdauer.  
 Keine invertierten Impulse.  
 Hauptimpulsausgang  
 Netzspannungseingang  
 Erdanschluss  
 Netzspannungsumschalter

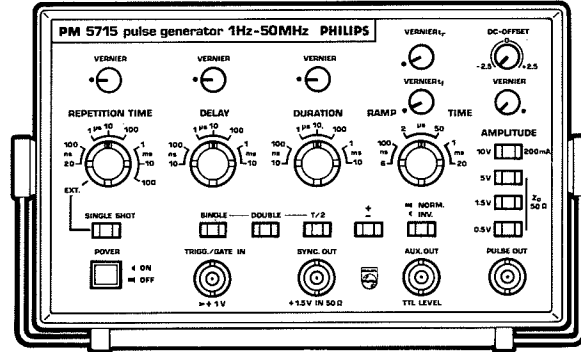


Abb. 5—1. Bedienungsorgane und Eingangs- und Ausgangsbuchsen an der Vorderseite

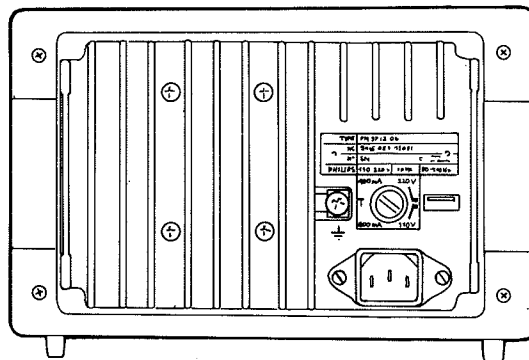


Abb. 5—2. Bedienungsorgane und Eingangs- und Ausgangsbuchsen an der Rückseite, Ausführung /00 bis Ausführung /10

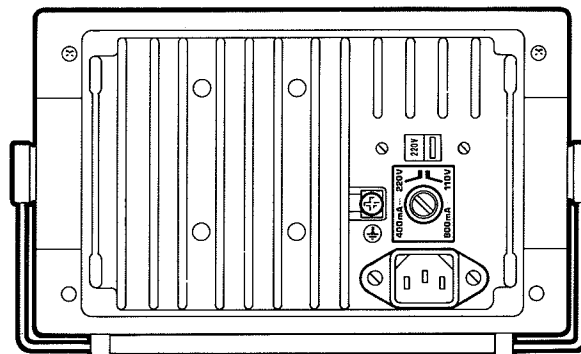


Abb. 5—3. Bedienungsorgane und Eingangs- und Ausgangsbuchsen an der Rückseite, Ausführung /11

## 6. Bedienung

### ALLGEMEINES

Bei Übungen mit dem PM 5715 oder beim Einsatz des Generators in praktischen Schaltungen wird empfohlen, den Philips 200-ps-Oszillografen PM 3400 zu verwenden.

Mit diesem Oszillografen können die Anstiegs- und Abfallzeiten von 6ns des PM 5715 sowie kleine Einzelheiten der Impulse mit hoher Auflösung fehlerfrei sichtbar gemacht werden. Ein konventioneller Oszillograf mit langsamerer Anstiegszeit kann selbstverständlich ebenfalls verwendet werden, aber dann auf Kosten der Impulswiedergabe.

### IMPULSAUSGANG, AMPLITUDEN-EINSTELLUNG UND NULLPEGELVERSCHIEBUNG

Der Impulsausgang ist leerlauf- und kurzschlussfest. In den unteren Amplitudenbereichen von 0,5V, 1,5V und 5V ist der Ausgang intern mit 50Ω abgeschlossen.

Im 10-V-Bereich liefert ein Stromausgang einen maximalen Ausgangsstrom von 200mA. Höhere Ströme sind ebenfalls möglich, aber auf Kosten der Amplitude.

Wenn das an den Generator angeschlossene Gerät nicht mit 50Ω abgeschlossen ist, wird empfohlen, die Philips 50-Ω-Anschlüsse PM 9581, 3W, oder PM 9585, 1W, zu verwenden, die als Wahlzubehör erhältlich sind.

Mit dem Feineinsteller lassen sich die Impulsamplituden in den einzelnen Bereichen insgesamt von 0,2V bis 10V einstellen.

Mit der Nullpegelverschiebung kann die Nulllinie von +2,5V bis -2,5V verschoben werden. Der Bedienungsknopf ist in der Nullstellung arretiert, damit er nicht versehentlich betätigt werden kann. Die Summe der Nullpegelverschiebung und der Impulsamplitude kann maximal 10V betragen.

Bei den grössten Amplituden geht deshalb die Nullpegelverschiebung auf Kosten der Impulsamplitude.

### AUSGÄNGE FÜR ZUSATZ- UND SYNCHRONISATIONSSIGNAL

An dem Ausgang AUX. OUT steht ein Zusatzsignal mit einer festen Amplitude von +2,5V an 50Ω zur Verfügung. Bei hochohmiger Belastung wird die Amplitude grösser, bis +4,5V im

Leerlauf. Der Ausgang AUX. OUT ist immer mit den Impulsverzögerungs- und Impulsdauerschaltungen des Generators verbunden, auch bei Rechteckimpulsbetrieb mit Tastverhältnis von 50%, aber reagiert nicht auf die Nullpegelverschiebung sowie die Schalter NORM./INV. und "+ -". Die typische Anstiegszeit des Ausgangsimpulses beträgt 10ns, die typische Abfallzeit 5ns.

Das Signal erscheint ca. 12ns vor dem Hauptsignal an der Buchse PULSE OUT und kann direkt zum Steuern von TTL-Schaltungen verwendet werden.

An der Buchse SYNC. OUT liegt das Signal des internen Multivibrators oder, in Stellung EXT., das Triggersignal.

Bei internem Betrieb ist das Signal eine Rechteckspannung mit der eingestellten Wiederholzeit, aber die Impulsverzögerung, die Impulsdauer sowie andere Parameter können nicht eingestellt werden. In Stellung EXT. hängen die Wiederholzeit und das Tastverhältnis des Signals an SYNC. OUT vom Triggersignal ab. Dieses Signal erscheint ca. 40ns vor dem Hauptsignal an Buchse PULSE OUT, wenn die Impulsverzögerung auf 10ns eingestellt ist.

Die Amplitude ist fest auf +1,5V an 50Ω eingestellt (+3V im Leerlauf).

Typische Anstiegszeit 10ns; Typische Abfallszeit 5ns.

Das Signal dient zum Triggern von externen Geräten, z.B. einem Oszillografen.

### EINSTELLUNG DER FLANKENSTEILHEIT MIT DEN FEINEINSTELLERN $t_r$ UND $t_f$

Die Anstiegs- und Abfallzeit der Impulse lässt sich in sechs Bereichen stufenlos und unabhängig voneinander mit den Feineinstellern  $t_r$  und  $t_f$  einstellen.

Die Anstiegs- und Abfallzeit gilt von 10% bis 90% der Amplitude, siehe Abb. 6-1.

Abb. 6-2 zeigt, dass die Punkte A und B sich nicht ändern, wenn die Anstiegs- und Abfallzeit

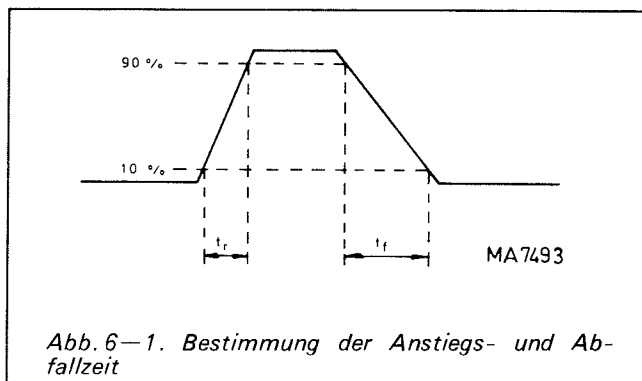


Abb. 6-1. Bestimmung der Anstiegs- und Abfallzeit

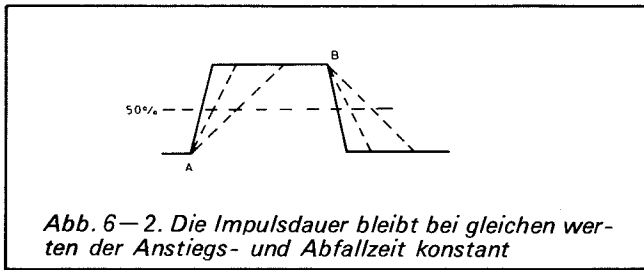


Abb. 6-2. Die Impulsdauer bleibt bei gleichen Werten der Anstiegs- und Abfallzeit konstant

geändert wird. Sofern die Anstiegs- und Abfallzeit gleichmässig geändert werden, oder die Amplitude so geändert wird, wie es in Abb. 6-3 zu sehen ist, bleibt die Impulsdauer konstant.

Abb. 6-4 zeigt, dass die Impulsdauer abnimmt, wenn z.B. die Anstiegszeit länger als die Abfallzeit wird und die Amplitude konstant bleibt. Wenn auch die Amplitude verkleinert wird, wächst die Impulsdauer wieder an, wie es in Abb. 6-5 zu sehen ist.

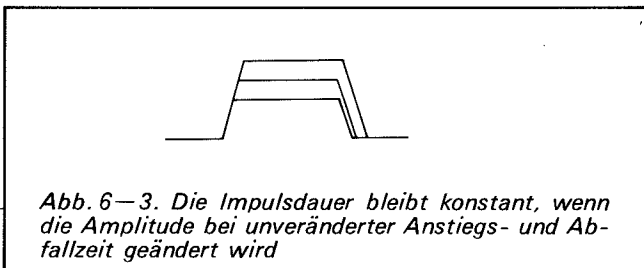


Abb. 6-3. Die Impulsdauer bleibt konstant, wenn die Amplitude bei unveränderter Anstiegs- und Abfallzeit geändert wird

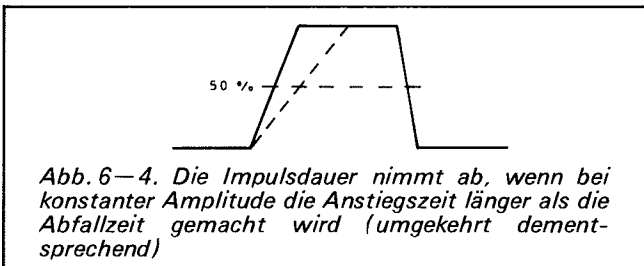


Abb. 6-4. Die Impulsdauer nimmt ab, wenn bei konstanter Amplitude die Anstiegszeit länger als die Abfallzeit gemacht wird (umgekehrt dementsprechend)

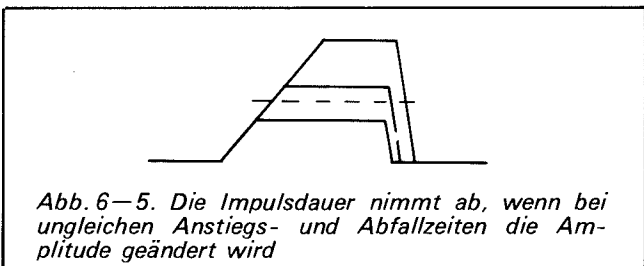


Abb. 6-5. Die Impulsdauer nimmt ab, wenn bei ungleichen Anstiegs- und Abfallzeiten die Amplitude geändert wird

## EINZELIMPULSBETRIEB

Wiederholzeit, Impulsverzögerung und Impulsdauer werden in Abb. 6-6 definiert, wo ausserdem das Verhältnis zwischen diesen Parametern und der Impulsanstiegs- und Abfallzeit dargestellt wird.

- REPETITION TIME und DURATION auf die gewünschten Werte einstellen.
- DELAY auf 10 ns oder einen anderen Wert einstellen, der zum Abbilden der Vorderflanke auf dem Oszillografen erforderlich ist.
- Mit dem Signal SYNC. OUT den Oszillografen triggern.
- Mit  $t_r$  und  $t_f$  die gewünschte Anstiegs- und Abfallzeit einstellen.
- Taste SINGLE drücken.
- Mit Schalter NORM./INV. normale oder invertierte Impulse und mit Schalter "+ -" eine positive oder negative Polarität einstellen.
- Mit den Schaltern AMPLITUDE und den zugehörigen Feineinstellern die gewünschte Amplitude einstellen.

Hinweis: Wenn die Feineinsteller für Wiederholzeit, Impulsverzögerung, Impulsdauer sowie Anstiegs- und Abfallzeit auf den weissen Punkt gestellt werden, gelten angenähert die Werte, die bei dem Schaltknopf stehen. Die weissen Punkte befinden sich nicht am Anschlag der Feineinsteller, damit man eine gewisse Überlappung erhält.

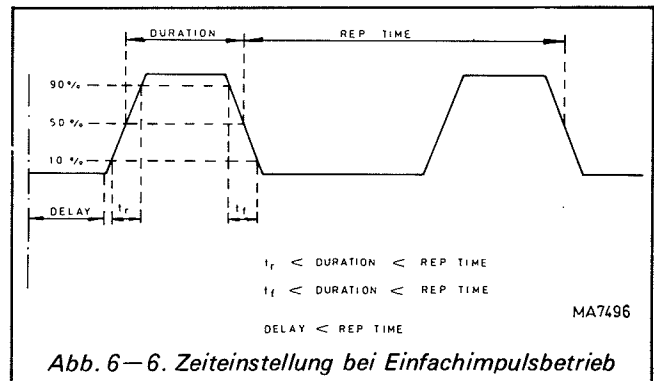


Abb. 6-6. Zeiteinstellung bei Einfachimpulsbetrieb

## DOPPELIMPULSBETRIEB

Einstellen wie bei den Einfachimpulsen, aber Taste DOUBLE drücken.

Das Verhältnis zwischen Wiederholzeit, Impulsverzögerung und Impulsdauer kann Abb. 6-7 entnommen werden.

Mit der Feinsteller DELAY lässt sich der Zwischenraum zwischen den beiden Impulsen ändern.

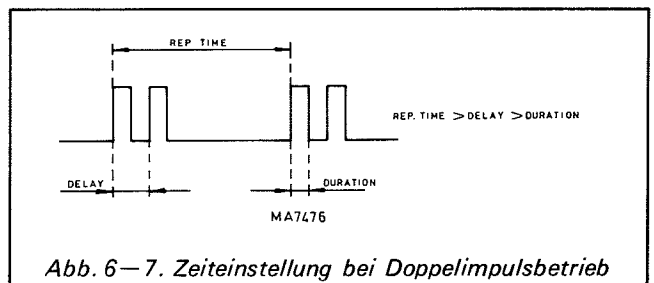


Abb. 6-7. Zeiteinstellung bei Doppelimpulsbetrieb

## RECHTECKIMPULSBETRIEB (T/2-Betrieb)

- Schalter REPETITION TIME in die gewünschte Stellung setzen
- Taste T/2 drücken
- Mit Schalter " + - " eine positive oder negative Polarität einstellen

An der Buchse PULSE OUT liegt nun ein Rechtecksignal. Die Amplitude und die Nullpegelverschiebung sind einstellbar. In den zwei Stellungen mit der schnellsten Wiederholzeit beträgt das Tastverhältnis  $50\% \pm 20\%$ .

Am Ausgang AUX. OUT liegt ein Signal mit derselben Wiederholzeit, aber mit veränderlicher Impulsverzögerung und Impulsdauer (Abb. 6-8).

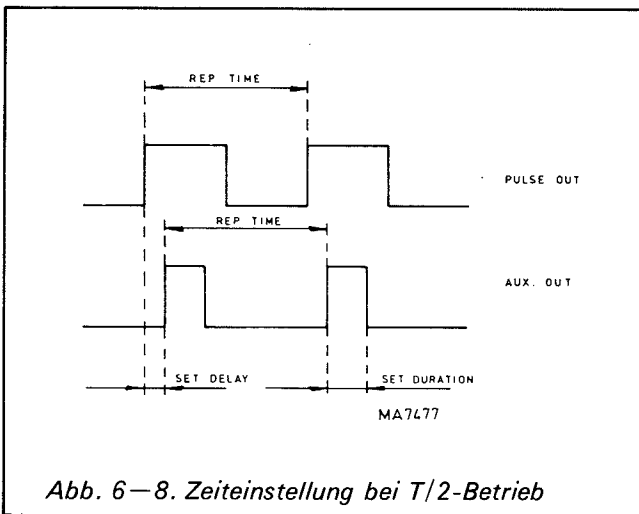


Abb. 6-8. Zeiteinstellung bei T/2-Betrieb

## GETASTETE EINFACH- ODER DOPPELIMPULSE

Das Tastsignal an Eingang TRIGG./GATE IN anschliessen. Die Amplitude des Tastsignales muss grösser als +1V sein. Maximale Amplitude +12V.

Die positive Flanke des Tastsignals sperrt den Generator, und zwar sowohl bei Einfach- als auch bei Doppelimpulsbetrieb.

Das richtige Verhältnis zwischen Wiederholzeit, Dauer des Tastimpulses, interner Impulsverzögerung und Impulsdauer ist einzustellen, wie es in den Abschnitten "Flankensteilheit" und "Einzelimpulsbetrieb" beschrieben und in den Abb. 6-9 und 6-10 zu sehen ist. Die Tastung erfolgt synchron, was bedeutet, dass der erste Impuls mit der Rückflanke des Tastimpulses zusammenfällt. Der letzte Impuls hält die eingestellte Impulsdauer ein, auch wenn der Tastimpuls während des Impulses endet. Die Gesamtverzögerung vom Eingang TRIGG./GATE IN bis zum Ausgang PULSE OUT beträgt etwa 50ns, wenn Schalter DELAY auf 10ns steth.

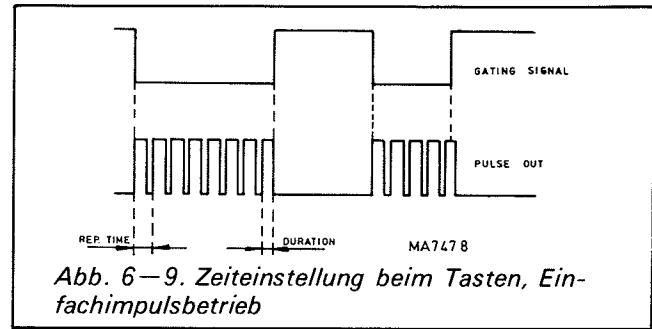


Abb. 6-9. Zeiteinstellung beim Tasten, Einfachimpulsbetrieb

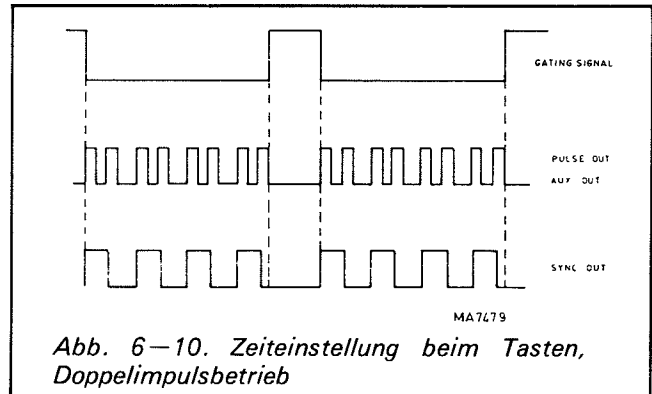


Abb. 6-10. Zeiteinstellung beim Tasten, Doppelimpulsbetrieb

## EXTERNE TRIGGERUNG

- Schalter REPETITION TIME in Stellung EXT. stellen
- Ein Triggersignal mit einer Amplitude  $> +1V$  (max. +12V) und mit einer Frequenz von 0 bis 50MHz an Buchse TRIGG./GATE IN anschliessen
- Der interne Multivibrator ist nun ausgeschaltet
- Eine der Tasten SINGLE oder DOUBLE drücken und DELAY entsprechend einstellen (siehe die Abschnitten "Flankensteilheit" und "Einzelimpulsbetrieb")

An den Ausgängen PULSE OUT und AUX. OUT liegen Signale mit derselben Wiederholzeit wie das Triggersignal, aber mit der am Gerät eingestellten Impulsverzögerung und Impulsdauer.

Am Ausgang SYNC. OUT liegt ein Rechtecksignal mit derselben Wiederholzeit und einem Tastverhältnis wie das Triggersignal.

## IMPULSBILDUNG

- Schalter REPETITION TIME in Stellung EXT. stellen
  - Das betreffende Signal an den Eingang TRIGG./GATE IN anschliessen (Amplitude +1V bis +12V)
  - Taste T/2 drücken
  - Die gewünschte Amplitude, Nullpegelverschiebung und Polarität wählen
- An der Buchse PULSE OUT liegt nun ein Signal



mit derselben Wiederholfrequenz und einem Tastverhältnis wie das Eingangssignal, aber in einer den technischen Daten dieses Generators entsprechenden Form (Abb. 6-11). Bei dem an Buchse AUX. OUT abnehmbaren Signal können die Impulsverzögerung und die Impulsdauer eingestellt werden.

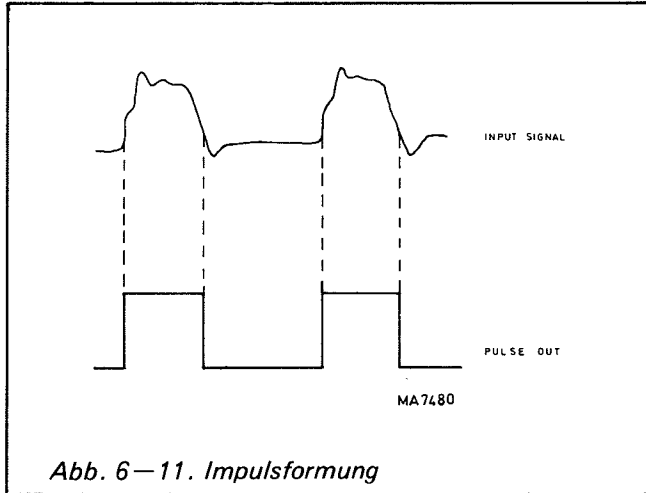


Abb. 6-11. Impulsformung

**EINZELIMPULSAUSLÖSUNG**

- Schalter REPETITION TIME in Stellung EXT.stellen
- DURATION und DELAY auf die gewünschten Werte einstellen
- Normalen oder invertierten Betrieb, Amplitude und Nullpegelverschiebung einstellen
- Taste SINGLE SHOT drücken

Nun liefert der Generator nur einen einzigen Impuls mit der eingestellten Impulsdauer. Elektronische Schalter garantieren ein einwandfreies Schalten.

An den Ausgängen SYNC. OUT und AUX. OUT liegt ebenfalls ein einzelner Impuls (Abb. 6-12).

Wenn Schalter T/2 gedrückt wird, sind die Schaltungen für Impulsverzögerung und Impulsdauer für den Ausgang PULSE OUT wirkungslos.

Der Impuls bleibt solange an der Buchse PULSE OUT, wie der Schalter SINGLE SHOT gedrückt wird. An der Buchse AUX. OUT liegt jedoch ein einzelner Impuls, dessen Dauer am Generator eingestellt werden kann (Abb. 6-13).

**ZWEIKANALBETRIEB**

Durch Kombination von zwei PM 5715 kann man einen echten Zweikanalgenerator erhalten. Zur Platzersparnis können die beiden Geräte übereinander gesetzt werden (Abb. 6-14).

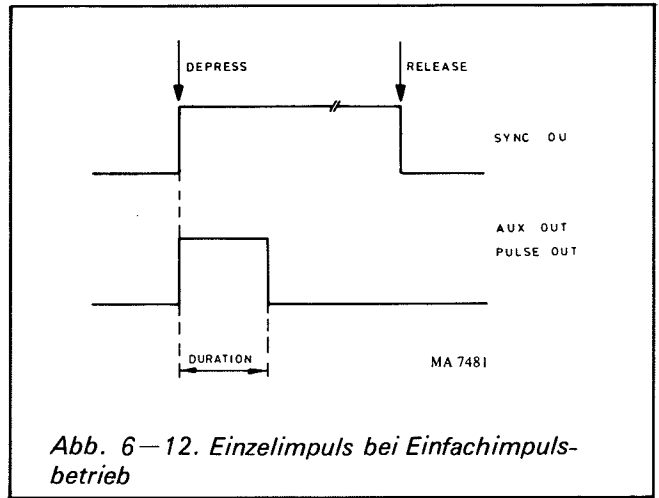


Abb. 6-12. Einzelimpuls bei Einfachimpulsbetrieb

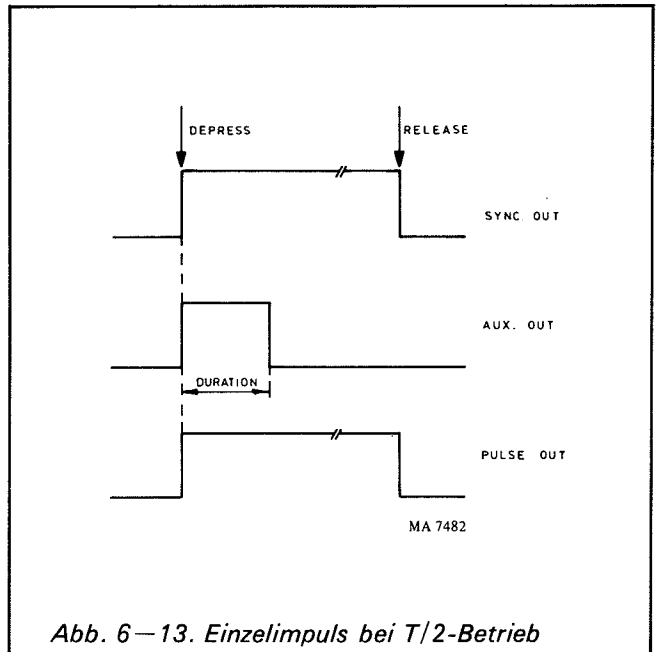


Abb. 6-13. Einzelimpuls bei T/2-Betrieb

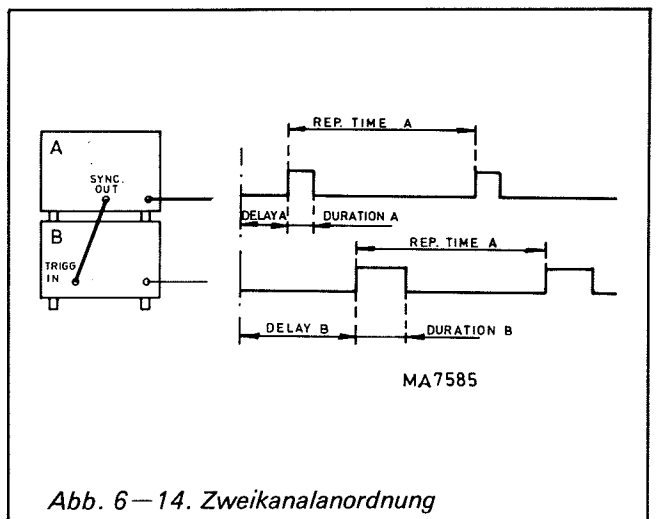


Abb. 6-14. Zweikanalanordnung

**Generator A wie folgt einstellen:**

Die Wiederholfrequenz grösser als die Impulsdauer und die Impulsverzögerung. Buchse SYNC. OUT von Generator A mit Buchse TRIGG./GATE IN von Generator B verbinden.

### Generator B wie folgt einstellen:

Die Wiederholfrequenz auf EXT.

Die Impulsdauer und die Impulsverzögerung sind auf kleinere Werte als die Wiederholfrequenz von Generator A einzustellen.

Die Verzögerung und die Dauer der beiden Impulse A und B lässt sich ebenso wie die Wahl von Einfach- oder Doppelpulsbetrieb, die Amplitude, die Nullpegelverschiebung und normaler oder invertierter Betrieb unabhängig voneinander einstellen.

Die Wiederholfrequenz wird von generator A bestimmt.

### MISCHEN DER AUSGANGSSIGNALE VON ZWEI GENERATOREN

Zur Erzeugung komplexerer Impulsmuster können zwei PM 5715 so miteinander verbunden werden, dass ihre Ausgangssignale sich mischen (Abb. 6 – 15).

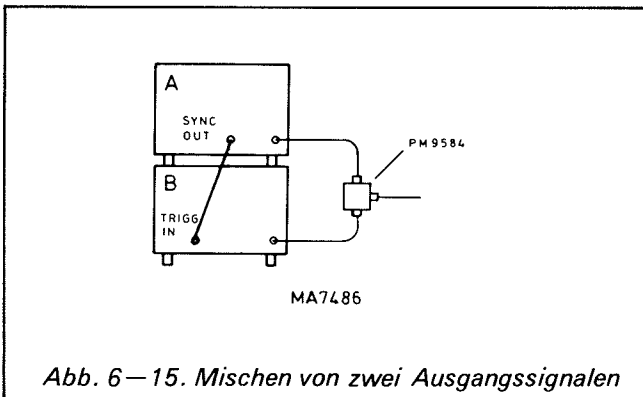


Abb. 6 – 15. Mischen von zwei Ausgangssignalen

Die Impulsform ist am besten bei Verwendung eines ohmschen 50- $\Omega$ -T-Stückes gewährleistet, z.B. Philips PM 9584. Die Verwendung eines normalen BNC-T-Stückes ist ebenfalls möglich, wenn gewisse Verzerrungen nicht stören. Die an die Ausgänge angeschlossenen Kabel müssen gleich lang und so kurz wie möglich sein.

Wegen der direkten Verbindung der beiden Generatorausgänge müssen aber hinsichtlich der Amplitude und des Tastverhältnisses ein paar Punkte beachtet werden, um die Endstufen nicht zu beschädigen.

Zwei Fälle sollen hier beschrieben werden.

### Die Signale von wenigstens einem Generator sind kleiner als 5V

Wenn die Amplitude von wenigstens einem der Generatoren kleiner als 5V ist, besteht keine Gefahr.

### Die Signale von beiden Generatoren sind grösser als 5V

Diese Kombination ist **NICHT** 100% leerlauf-fest.

Wenn keine Belastung angeschlossen ist und das Tastverhältnis 50% überschreitet, müssen die Endtransistoren eine höhere Leistung als unter Kurzschlussbedingungen verarbeiten. Deshalb sind folgende drei Regeln zu befolgen:

Darauf achten, dass die 50- $\Omega$ -Belastung vor dem Einschalten der Generatoren angeschlossen wird.

Die Generatoren so einstellen, dass ihr Tastverhältnis unter 50% bleibt. Vor allem beim Umschalten von Normal auf Invertiert ist Vorsicht geboten. Ein Tastverhältnis von 30% bei Normal wird 70% bei Invertiert.

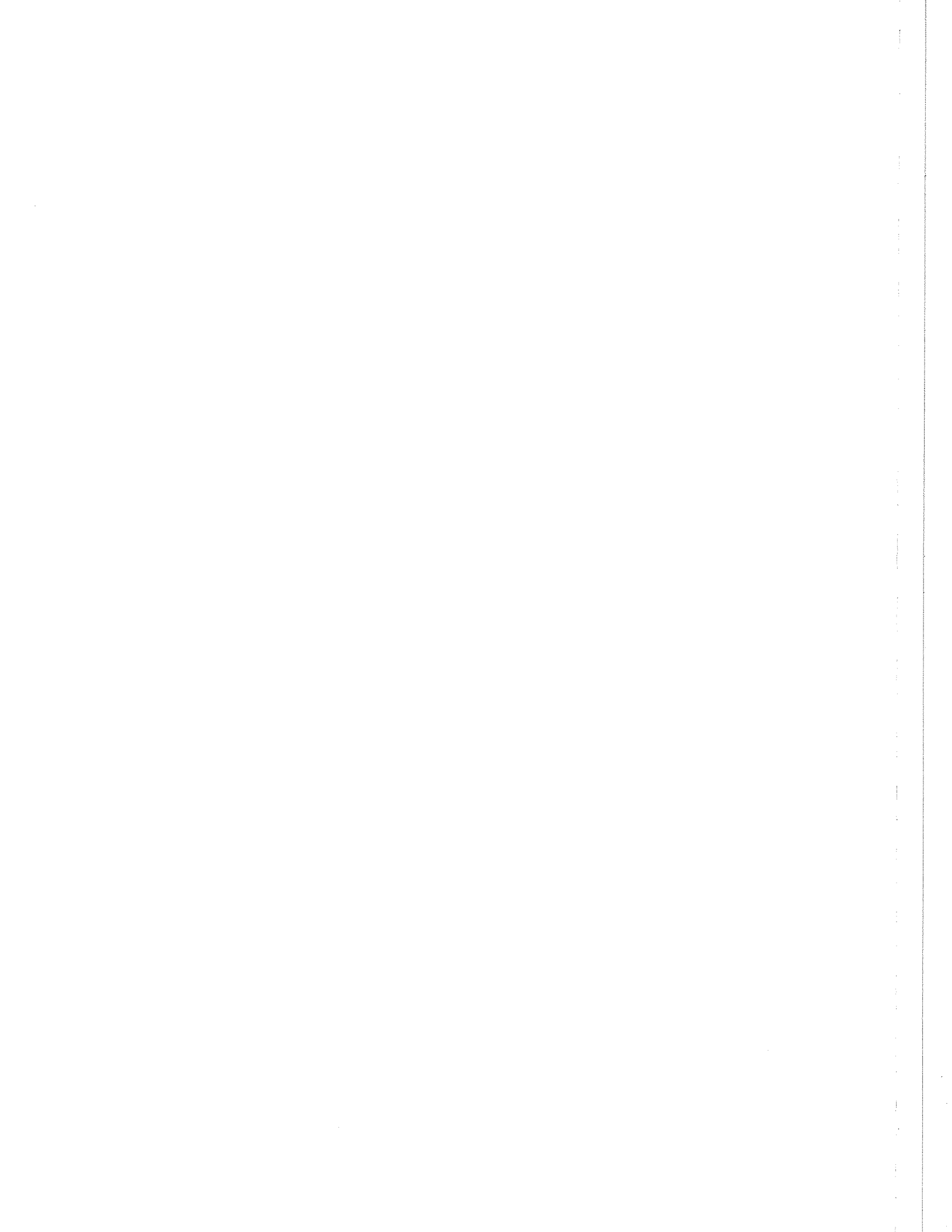
Das Überlappen von Impulsen ist zu vermeiden. Wenn Impulse die gleiche Polarität haben, werden die Endstufen in den Sättigungsbereich gesteuert.

Dies ist zwar ungefährlich, aber keine normale Betriebsbedingung.

Wenn die Impulse entgegengesetzte Polarität haben, heben sich ihre Ströme nur in der Belastung auf.

## **Notice d'emploi**

1. Introduction .....	35
2. Caractéristiques techniques .....	35
3. Accessoires .....	37
4. Schéma synoptique .....	38
5. Mise en service .....	40
6. Manipulation .....	44



# 1. Introduction

Le PM 5715 fournit des impulsions de haute qualité à fréquence de répétition de 1Hz à 50MHz à des temps de montée et de descente indépendamment et continuellement réglables entre 6ns et 0,5s.

Tous les autres paramètres d'impulsion importants (par ex. délai, durée et amplitude d'impulsion) sont également variable dans une

large gamme.

Les impulsions normales ou inversées, à polarité positive ou négative, génération d'impulsions doubles et offset continu variable sont d'autres paramètres fournis par le PM 5715.

Le temps de transition variable combiné avec une seconde sortie équilibrée TTL rend le PM 5715 particulièrement utile pour tester ou simuler des circuits TTL.

La gamme d'applications est encore étendue par la génération d'impulsions rectangulaires et la conformation d'impulsions.

## 2. Caractéristiques techniques

Dans la présente documentation, seules les valeurs indiquées avec tolérance sont garanties.

Les chiffres sans mention de tolérance ne servent que d'orientation et correspondent aux caractéristiques d'un appareil moyen. Les valeurs numériques correspondent aux tensions nominales d'alimentation.

### ELECTRIQUES

#### Déclenchement interne

Temps de répétition

1Hz à 50MHz

Réglable de façon continue dans les limites de 8 gammes

Instabilité

≤ 0,1% ou 50ps, la plus grande valeur prévaut

Coefficient de température

< 0,3%/°C

#### Déclenchement externe

Déclenchement: tension d'entrée  
tension maximale  
fréquence d'entrée  
impédance

> +1V pour déclencher le générateur  
+12V

0 à 50MHz

Environ 1kΩ

En mode T/2 la durée d'impulsion est déterminée par l'entrée de commande.

En mode simple ou double, le retard et la durée d'impulsion sont réglés à l'aide d'organes de commande sur le panneau avant.

Conditionnement synchrone: tension d'entrée  
impédance

> +1V pour conditionner le générateur  
Environ 1kΩ

Un signal de conditionnement met le générateur hors service.

La première impulsion correspond au flanc arrière de l'impulsion de conditionnement  
Environ 50ns

Retard entre l'impulsion de déclenchement (ou porte) et l'impulsion de sortie principale (retard d'impulsion réglé sur 10ns)

<b>Fonctionnement monocourse</b>	Par bouton-poussoir
<b>Sortie pour synchronisation</b>	Impulsion rectangulaire, amplitude +1,5V chargé par 50Ω (+3V circuit ouvert) Impédance de source: 50Ω L'impulsion est engendrée environ 40ns avant l'impulsion principale, le retard d'impulsion étant réglé sur 10ns
<b>Retard d'impulsion</b>	
Gamme	10ns à 100ms Réglable de façon continue dans les limites de 8 gammes
Instabilité	≤0,1% ou 50ps la plus grande valeur prévaut
Coefficient de température	<0,3%/°C
<b>Durée d'impulsion</b>	
Gamme	10ns à 100ms Réglable de façon continue dans les limites de 7 gammes
Facteur de marche	Près de 100% avec sortie d'impulsion inversée (uniquement limitée par la durée minimale)
Instabilité	Supérieur à 50% en fonctionnement normal ≤0,1% ou 50ps la plus grande valeur prévaut
Coefficient de température	<0,3%/°C
<b>Modes de fonctionnement</b>	Impulsion T/2, simple ou double En mode impulsion double des impulsions doubles sont produites à retard réglé et durée d'impulsion commandée simultanément
<b>Sortie auxiliaire</b>	Amplitude +2,5V chargée par 50Ω (+4,5V en circuit ouvert) Impédance de source: 50Ω L'impulsion est engendrée environ 12ns avant l'impulsion principale Le retard et la durée d'impulsion sont réglés avec les commandes DELAY et DURATION dans tous les modes de fonctionnement Des impulsions simples ou doubles sont ainsi produites mais pas d'impulsions T/2 ou inversées
<b>Sortie d'impulsion principale</b>	
Amplitude	0,2V à 10V chargée par 50Ω Réglable de façon continue dans les limites de 4 gammes (10V, 5V, 1,5V et 0,5V)
Polarité	Positive ou négative, normale ou inversée
Impédance de source	Position 10V: source de courant (200mA max.) Position 5V, 1,5V et 0,5V: internement adaptée à 50Ω

Temps de montée et de descente à 5V  
et positions inférieures

$\leq 6\text{ns}$  à 0,5s

Le temps de transition reste constant même  
lorsque l'amplitude est variée

Réglable séparément de façon continue en 6  
gammes

Précision des formes d'onde  
Protection

Meilleure que  $\pm 5\%$  de l'amplitude réglée  
Contre les courts-circuits et les circuits  
ouverts

**Tension continue d'offset**

Réglable de façon continue de +2,5V à  
-2,5V chargée par  $50\Omega$

Amplitude d'impulsion + offset  
continu:  $\pm 10\text{V}$  max.

### Alimentation

Tension secteur

Commutable



100V $\pm 15\%$	200V $\pm 15\%$
115V $\pm 15\%$	230V $\pm 15\%$
110V	220V

Soudable  
↑↓

Sélecteur de tension indique

Fréquence secteur

50 à 400Hz

Consommation

70VA

**Gamme de température**

0 à +40°C

### MECANIQUES

Dimensions

Profondeur 275mm

Largeur 210mm

Hauteur 130mm

Poids

4kg

## 3. Accessoires

### Accessoires standard (compris à la livraison)

- 1 notice d'emploi et d'entretien
- 1 cordon secteur
- 1 fusible 400mA à action différée
- 1 fusible 800mA à action différée

### Accessoires facultatifs (à commander séparément)

Charge adaptée $50\Omega$ , 3W	PM 9581
Charge adaptée $50\Omega$ , 1W	PM 9585
Adapteur T $50\Omega$	PM 9584
Kit de câble coaxial, $50\Omega$	PM 9588*)

\*) contient les câbles suivants, type RG58A/U  
avec connecteurs BNC:

	Retard	Longueur (mm)	Le numéro de code service
5x	1ns	200	5322 320 10009
4x	2ns	400	5322 320 10011
3x	3ns	600	5322 320 10012
3x	10ns	1980	5322 320 10013

## 4. Schéma synoptique

*Remarque: les figures entre parenthèses se réfèrent aux formes d'onde représentées à la figure 4-1.*

### Multivibrateur astable

Le multivibrateur astable produit des impulsions rectangulaires dont toutes les impulsions internes sont dérivées. Le commutateur REPETITION TIME SK1 et son vernier R1 permettent de régler le temps de répétition entre 1s et 20ns.

Le multivibrateur ne fonctionne pas lorsque le commutateur REPETITION TIME est mis en position EXT.

### Circuit de déclenchement

En position EXT. le générateur d'impulsions peut être déclenché par un signal externe appliqué au connecteur TRIGG./GATE IN, BU1.

Le signal de déclenchement est conduit à un déclencheur de Schmitt, lequel produit un signal approprié aux autres circuits du générateur.

Lorsqu'aucun signal de déclenchement n'est appliqué, une impulsion simple est engendrée par le déclencheur de Schmitt lorsque le bouton-poussoir SINGLE SHOT SK5 est enfoncé. Lorsque le commutateur REPETITION TIME est réglé sur une des positions de temps, le multivibrateur astable peut être conditionné par un signal appliqué à l'entrée TRIGG./GATE IN. Un train d'impulsions, synchronisées avec le signal de conditionnement, est alors obtenu.

### Porte, amplificateur de synchronisation et premier conformateur d'impulsions

La sortie de la porte est disponible au connecteur de panneau avant SYNC. OUT, BU2. La fréquence de répétition et le facteur de marche de ce signal sont déterminés par le multivibrateur astable ou, en fonctionnement externe, par le signal de déclenchement.

Le conformateur d'impulsions est commandé par le flanc avant du signal de sortie (1) provenant de la porte.

Le conformateur produit une pointe d'impulsion (2) qui commande le circuit de retard.

### Circuit de retard, seconde conformateur d'impulsions et circuit de durée

Le circuit de retard produit des impulsions dont

la largeur est réglée avec la commande DELAY SK2 et son vernier R2.

Le flanc arrière de ces impulsions commande le conformateur d'impulsions suivant lequel fournit une pointe d'impulsion au circuit de durée. Tout comme pour le circuit de retard, le circuit de durée produit des impulsions dont la largeur est réglée avec les commandes DURATION SK3 et son vernier R3.

En mode DOUBLE une pointe d'impulsion (5) est dérivée du flanc avant de l'impulsion de retard et conduite à l'entrée du circuit de durée. Des impulsions doubles sont alors engendrées. La sortie du circuit de durée est disponible au connecteur de panneau avant AUX.OUT, BU3.

Ce signal ayant une amplitude fixe arrive environ 12ns avant le signal principal au connecteur de panneau avant PULSE OUT, BU4.

En mode normal ou inversé, le signal PULSE OUT peut être sélectionné avec le commutateur NORMAL/INV., SK10.

### Commutateur T/2, SK8

Lorsque le commutateur T/2, SK8, est enfoncé, les circuits de retard et de durée sont séparés de l'étage de sortie.

Cependant, le connecteur AUX. OUT produit encore le signal avec retard et durée réglables.

En position EXT. du commutateur REPETITION TIME et commutateur T/2 enfoncé, le signal de déclenchement appliqué à l'entrée TRIGG./GATE IN est uniquement conduit par l'étage de sortie et disponible au connecteur PULSE OUT avec les mêmes temps de répétition et facteur de marche que le signal original, le temps de montée, la forme et l'amplitude devant correspondre aux spécifications du PM 5715.

### Générateur de dents de scie et circuit de sortie

Les impulsions sont conduites, par l'intermédiaire de l'amplificateur différentiel, du commutateur T/2 au générateur de dents de scie lequel détermine le temps de transition des impulsions. Le temps de montée et de descente sont réglés indépendamment et continuellement avec les commandes RISE R4 et FALL R5.

Un émetteur follower présente une basse impédance à l'étage de sortie double voie.

Le commutateur de polarité "+ -" conduit le signal sur la voie positive ou négative. Dans les deux voies, l'amplitude peut être commandée de façon continue par le vernier AMPLITUDE R7. Ensuite, un réseau résistif produit l'atténuation du signal comme réglé avec les boutons-



poussoirs AMPLITUDE SK11 à SK14.  
 Le signal est alors appliqué au connecteur de sortie PULSE OUT BU4.

Avec la commande R6, DC OFFSET un courant positif ou négatif est ajouté à la ligne de sortie, de sorte que la ligne de base peut être décalée.

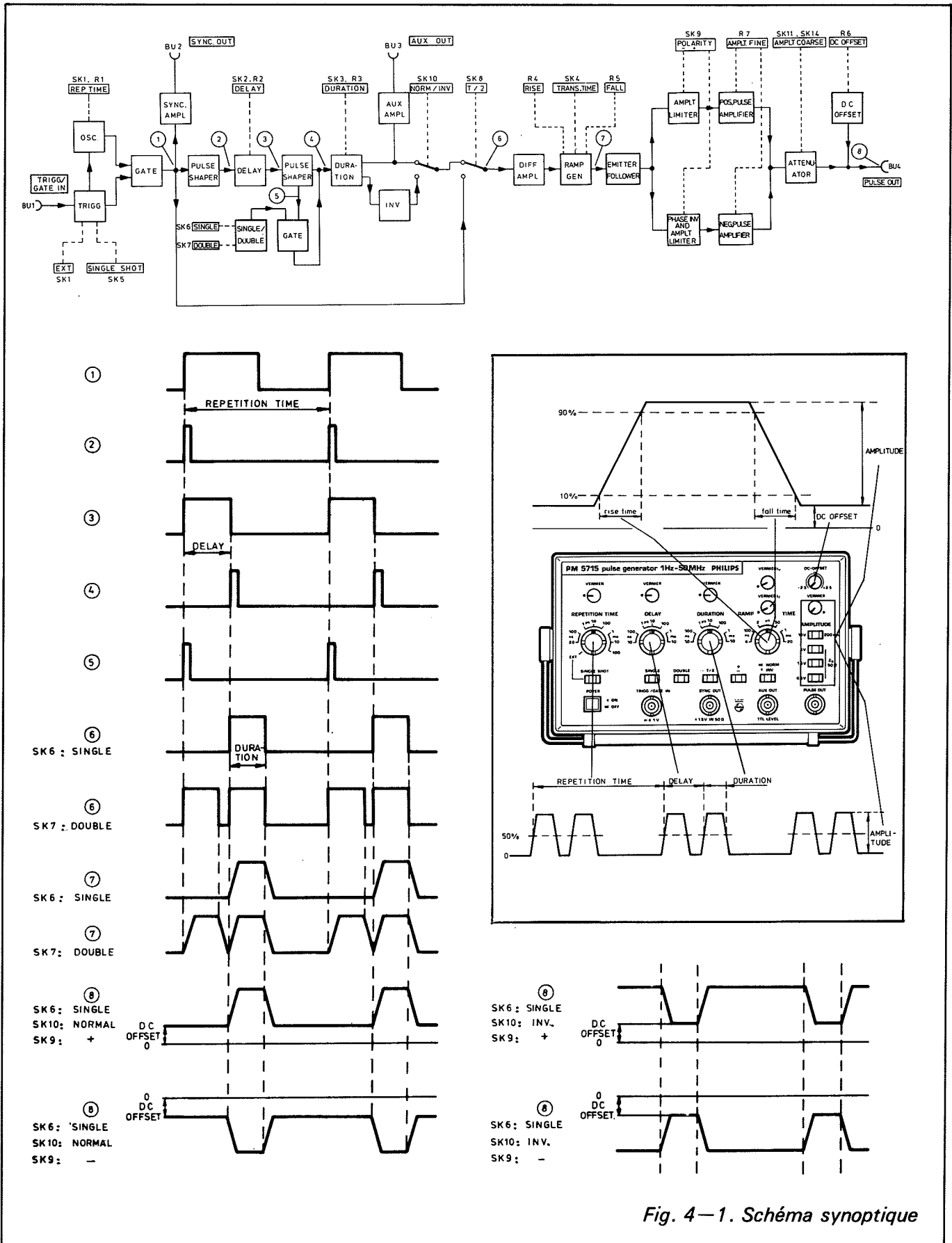


Fig. 4-1. Schéma synoptique

## 5. Mise en service

### INSTALLATION

Installez toujours l'appareil de manière à assurer une libre circulation d'air par les ouvertures partiquées dans la plaque de fond et dans la plaque supérieur. La température ambiante doit se situer entre 0°C et +40°C pour obtenir un fonctionnement conforme aux spécifications.

### CONSIGNES DE SECURITE

A la livraison l'appareil conforme aux consignes requises de sécurité. Pour maintenir cet état et afin d'assurer un fonctionnement sûr il est conseillé d'observer les instructions suivantes.

### AVANT LA CONNEXION

#### *Tension secteur*

S'assurer que l'appareil soit réglé sur la tension nominale secteur.

#### *Protection*

L'appareil est protégé conformément à la catégorie I (mise à la terre) du IEC 348 ou VDE 0411. Le câble secteur livré comporte la mise à la terre.

Au dehors des locaux avec protection spéciale, la fiche secteur doit être uniquement connectée à une douille de protection à la terre.

Il est interdit d'interrompre la mise à la terre dans ou dehors de l'appareil.

### ENTRETIEN ET REPARATION

#### *Défauts et efforts excessifs*

Lorsque l'appareil est suspecté de n'être plus sûr, le mettre hors de service en prévenants la remise en fonctionnement.

Ce cas se présente si l'appareil

- a subit des endommagements mécaniques
- ne fonctionne plus
- est sous efforts au deçades limites tolérables (p. ex., pendant stockage et transport)

#### *Démontage de l'appareil*

Lors de démontage des couvercies et d'autres

pièces à l'aide d'outils, des parties ou des bornes parcourues de courant peuvent être exposées.

Avant de démonter l'appareil, le déconnecter de toutes sources de tension.

L'étalonnage, l'entretien et le réparation de l'appareil démonté doivent être uniquement accomplis par un spécialiste en observant les précautions nécessaires.

Après déconnexion de toutes les sources de tension, les condensateurs dans l'appareil peuvent demeurer chargés pour quelques secondes; observer les schémas électriques.

#### *Réparation, Remplacement des pièces*

La réparation doit être accomplie par un spécialiste. Veiller que la construction de l'appareil ne sera pas modifiée au détriment de la sécurité. Surtout ne pas réduire les distances de fuite superficielle, les espaces d'air et l'épaisseur de l'isolant.

Au remplacement utiliser uniquement des pièces d'origine. D'autres pièces de rechange doivent strictement satisfaire aux consignes de sécurité.

### FUSIBLES

A 220V, un fusible de 400mA à action différées est utilisé. A 110V, un fusible de 800mA à action différée est utilisé. Le fusible est monté sur le panneau arrière du générateur.

Pour le remplacement du fusible, le porte-fusible peut être dévisé.

Utiliser seulement les fusibles spécifiés.

### MONTAGE

L'appareil peut être utilisé dans toute position. Il est recommandé de ne pas placer l'appareil sur une surface produisant de la chaleur ou en plein soleil.

### MISE A LA TERRE

Avant toute mise sous tension, l'appareil doit être connecté à la terre conformément aux consignes de sécurité locales. Le câble secteur fixé à l'appareil comporte un conducteur de terre branché sur les contacts protecteurs de la fiche. Ainsi, avec le coffret de l'appareil connecté sur une prise à contacts protecteurs, il est, par conséquent, mis à la terre.

**ATTENTION:** La fiche secteur ne doit être introduit que dans une prise à contact de terre. La mise à la terre ne doit pas être éliminée par l'emploi, par exemple, d'un câble prolongateur sans conducteur de terre.

Le potentiel zéro du circuit sur les contacts externes des douilles BNC est branché au coffret. Les contacts externes des douilles BNC ne doivent pas être utilisés pour brancher un conducteur de terre.

## BRANCHEMENT DE L'APPAREIL

L'appareil ne peut être branché que sur une alimentation en alternatif.

Avant de brancher l'appareil au secteur, s'assurer qu'il est adapté à la tension secteur locale.

Le branchement secteur doit être conforme aux consignes de sécurité locales; il implique que l'appareil soit branché sur une douille secteur avec conducteur de terre.

## RACCORDEMENT A LA TENSION SECTEUR LOCALE

### Versions /00 à /09 et à partir de version /11

Le sélecteur de tension secteur SK21 situé sur le tableau arrière du générateur peut être réglé sur deux plages de tension:

Position	Plage de tension	Fréquence 50Hz à 400Hz
110V	100 – 130V	
220V	200 – 260V	

Deux autres plages (85 – 115V et 170 – 230V) peuvent être obtenues par modification des connexions du transformateur secteur (voir Chapitre 10 du Manuel d'entretien).

### Version /10

L'instrument peut être utilisé sur 4 plages de tension secteur par modification du câblage du transfo secteur (voir Chapitre 10). La plage sélectionnée est indiquée sur le tableau arrière du générateur comme suit:

Plage de tension	Indicateur de tension (tableau arrière)	Fréquence 50Hz à 400Hz
85 – 115V	110V	
100 – 130V	110V	
170 – 230V	220V	
200 – 260V	220V	

## ORGANES DE COMMANDE ET RACCORDEMENTS

Organe de commande ou douille	Désignation	Fonction
SK1	REPETITION TIME EXT	Sélection du temps de répétition en 8 plots Sélection de fonctionnement monocourse ou de déclenchement externe
R1	VERNIER	Réglage fin du temps de répétition, permettant le chevauchement entre les gammes
SK2 R2	DELAY VERNIER	Sélection du temps de retard en 7 plots Réglage fin du temps de retard, permettant le chevauchement entre les gammes
SK3 R3	DURATION VERNIER	Sélection de la durée d'impulsion en 7 plots Réglage fin de la durée d'impulsion, permettant le chevauchement entre les gammes
SK4 R4	RAMP TIME VERNIER $t_r$	Sélection du temps de dent de scie en 6 plots Commande continue du temps de montée dans la gamme réglée
R5	VERNIER $t_f$	Commande continue du temps de descente dans la gamme réglée
R6	DC-OFFSET	Dérive continue de la ligne de base de +2,5V à -2,5V
SK11 SK12 SK13 SK14	10V } 5V } 1.5V } 0.5V } AMPLITUDE	Sélection de l'amplitude de sortie
R7	VERNIER	Commande continue de l'amplitude de sortie, permettant le chevauchement entre les gammes
SK5	SINGLE SHOT	Lorsque SK1 est réglé sur EXT. et qu'aucun signal de déclenchement n'est appliqué sur TRIGG./GATE IN, BU1, une impulsion simple est produite en enfonçant SK5
SK6 SK7	SINGLE } DOUBLE }	Sélection d'impulsion simple ou double
SK8	T/2	Fonctionnement interne: sélection d'un train d'impulsions de sortie avec facteur de marche $\approx 50\%$ Fonctionnement externe: conformation du signal de déclenchement appliqué
SK9	$\pm$	Retard et durée n'exerce aucune influence Sélection de polarité positive ou négative de l'impulsion de sortie
SK10	NORM./INV.	Sélection d'impulsion de sortie normale ou inversée
SK15 BU1	POWER ON-OFF TRIGG./GATE IN	Commutateur secteur Accepte des signaux de déclenchement ou de conditionnement
BU2	SYNC. OUT	Fournit le signal de synchronisation à amplitude fixe (+2,5V chargée par 50 $\Omega$ ) dérivé de la source interne ou du signal de déclenchement Temps de montée typique 10ns, temps de descente 5ns
BU3	AUX. OUT	Fournit le signal auxiliaire à amplitude fixe +2,5V chargée par 50 $\Omega$

BU4  
 BU21 (arrière)  
 BU22 (arrière)  
 SK21 (arrière)

**PULSE OUT**

Temps de montée typique 10ns, temps de  
 decente 5ns  
 Temps de répétition, retard et durée variables  
 Pas d'impulsions inversées  
 Fournit les impulsions principaux  
 Connecteur d'entrée pour alimentation secteur  
 Borne de terre  
 Sélection de tension secteur

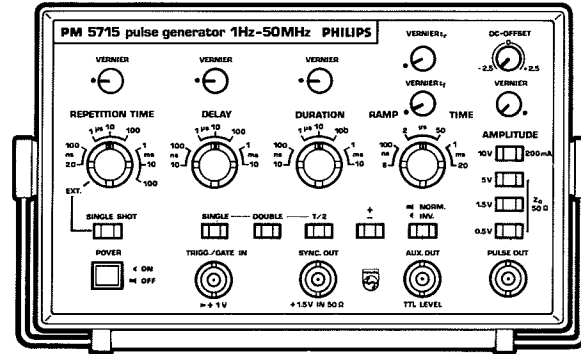


Fig. 5—1. Commandes, douilles d'entrée et sortie à l'avant

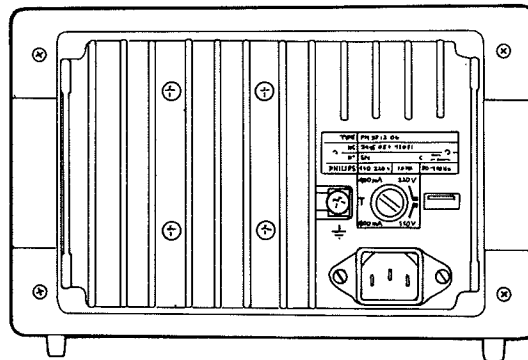


Fig. 5—2. Commandes, douille d'entrée et de sortie à l'arrière, versions /00 à /10

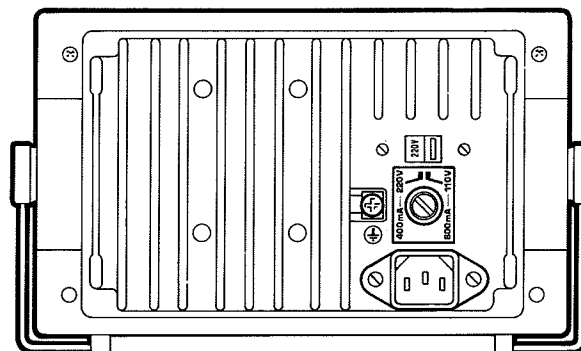


Fig. 5—3. Commandes, douille d'entrée et de sortie à l'arrière, version /11

## 6. Manipulation

### GENERALITES

Dans la pratique il est recommandé d'utiliser l'oscilloscope Philips 200ps PM 3400 comme unité d'affichage. Cet oscilloscope permet d'afficher exactement le temps de transition de 6ns du PM 5715 et des gros plans à haute résolution de détails mineurs.

Un oscilloscope conventionnel à temps de montée plus lent peut être utilisé mais alors aux dépens des caractéristiques d'impulsion.

### SORTIE PULSE OUT, COMMANDE D'AMPLITUDE ET TENSION CONTINUE D'OFFSET

La sortie PULSE OUT peut supporter les conditions de circuit ouvert et de court-circuit. Dans les gammes d'amplitude inférieures, 0,5V, 1,5V et 5V, la sortie est internement reliée à 50Ω.

Dans la gamme 10V, une source de courant fournit une sortie maximale de courant de 200mA. Un courant supérieur est possible, mais alors aux dépens de l'amplitude d'impulsion.

Si l'unité testée n'est pas reliée à 50Ω, il est recommandé d'utiliser les charges adaptées 50Ω Philips PM 9581, 3W, ou PM 9585, 1W, lesquelles peuvent être commandées séparément.

Le réglage continu de l'amplitude d'impulsion dans les limites de chacune des quatre gammes se fait avec le VERNIER d'amplitude de 0,2 à 10V.

La commande DC-OFFSET produit une dérive de la ligne de base de +2,5V à -2,5V.

La commande est mécaniquement bloquée en position zéro, évitant ainsi l'introduction de la tension offset par accident.

La somme totale de la tension offset et de l'amplitude d'impulsion est de 10V (maximum).

De ce fait, à plus forte amplitude, la tension continue d'offset est ajoutée aux dépens de l'amplitude d'impulsion.

### SORTIES AUX. OUT et SYNC. OUT

La sortie AUX. OUT fournit un signal auxiliaire à amplitude fixe de +2,5V chargée par 50Ω. Une charge à haute impédance fait coïncider l'amplitude à un maximum de +4,5V en circuit ouvert. La sortie AUX. OUT est toujours connectée aux circuits de retard et de durée du générateur, même en mode T/2, mais n'est pas

affectée par les commandes DC-OFFSET, NORM./INV. et de polarité (" + -").

Le temps de montée typique de l'impulsion de sortie est de 10ns; le temps de descente typique est de 5ns.

Le signal apparaît environ 12ns avant le signal principal au connecteur PULSE OUT et peut être directement conduit aux circuits TTL.

La sortie SYNC. OUT est connectée au multivibrateur rectangulaire interne ou au circuit de déclenchement en position EXT.

En mode interne, le signal est rectangulaire, avec temps de répétition réglé mais non affecté par le retard, la durée et autres réglages. En position EXT. le signal de déclenchement détermine le temps de répétition et le facteur de marche du signal SYNC. OUT.

Ce signal apparaît environ 40 ns avant le signal principal au connecteur PULSE OUT lorsque la commande DELAY est réglée sur 10 ns.

L'amplitude est fixée à +1,5V lorsque chargée par 50Ω (circuit ouvert +3V).

Le temps de montée typique est de 10 ns; le temps de descente typique est de 5 ns.

Le signal peut être utilisé pour déclencher un équipement externe, par exemple un oscilloscope.

### COMMANDE RAMP TIME, VERNIERS $t_r$ ET $t_f$

Le temps de dent de scie peut être réglé en 6 gammes avec la commande continue et indépendante du temps de montée (vernier  $t_r$ ) et du temps de temps (vernier  $t_f$ ) dans les limites de chacune des gammes.

Les temps de montée et de descente sont définis entre 10% et 90% de l'amplitude totale, voir Fig. 6-1.

La figure 6-2 montre que les points A et B sont fixes lorsque les temps de montée et de descente sont variés. En supposant que les temps de montée et de descente sont égaux, la durée d'impulsion reste constante lorsque le temps de dent de scie est modifié ou que l'amplitude est variée comme indiqué à la figure 6-3.

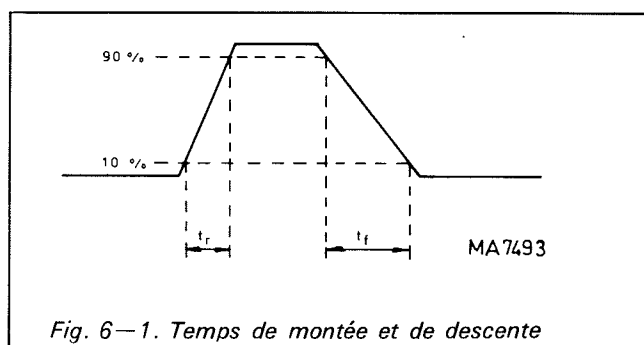


Fig. 6-1. Temps de montée et de descente

La figure 6-4 montre que la durée d'impulsion diminue lorsque le temps de montée est plus long que le temps de descente et que l'amplitude est maintenue constante. Lorsque l'amplitude diminue également, la durée d'impulsion diminue comme indiqué à la figure 6-5.

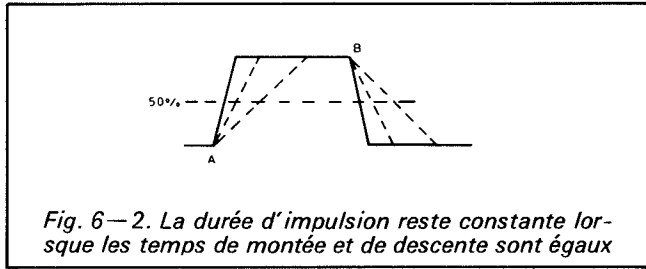


Fig. 6-2. La durée d'impulsion reste constante lorsque les temps de montée et de descente sont égaux

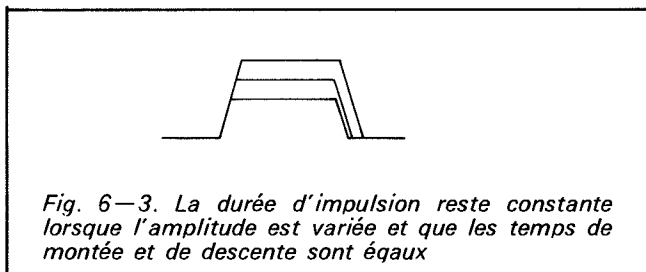


Fig. 6-3. La durée d'impulsion reste constante lorsque l'amplitude est variée et que les temps de montée et de descente sont égaux

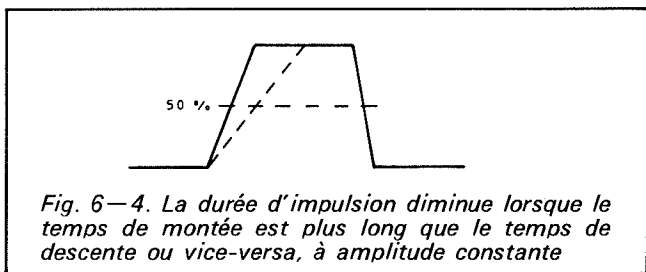


Fig. 6-4. La durée d'impulsion diminue lorsque le temps de montée est plus long que le temps de descente ou vice-versa, à amplitude constante

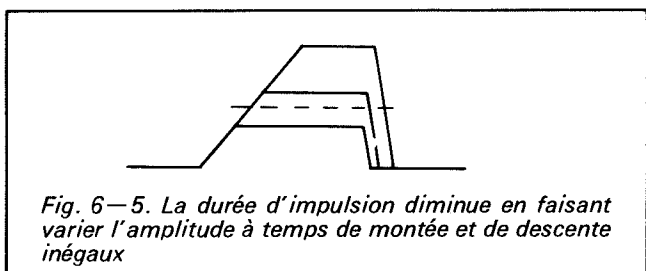


Fig. 6-5. La durée d'impulsion diminue en faisant varier l'amplitude à temps de montée et de descente inégaux

### MODE IMPULSION SIMPLE

Le temps de répétition, le retard et la durée d'impulsion sont définis à la figure 6-6, laquelle montre le rapport entre ces paramètres et les temps de montée et de descente.

- Régler les commandes REPETITION TIME et DURATION sur les valeurs requises
- Régler la commande DELAY sur 10ns ou sur une position requise afin de représenter le front d'onde sur l'oscilloscope
- Utiliser le signal SYNC. OUT pour déclencher l'oscilloscope

- Choisir la gamme RAMP TIME appropriée et régler les verniers  $t_r$  et  $t_f$
- Enfoncer le bouton SINGLE
- Choisir le type d'impulsion (normale ou inversée) avec le commutateur NORM./INV. et la polarité avec le commutateur "+ / -"
- Régler les commutateurs AMPLITUDE et le vernier en position appropriée

A noter que lorsque les verniers des commandes REPETITION TIME, DELAY, DURATION et RAMP TIME, sont réglés sur le point blanc, les réglages correspondent environ à la valeur indiquée par le commutateur.

Le point blanc ne coïncide pas avec la position extrême du vernier, ce qui donne une gamme de chevauchement suffisante.

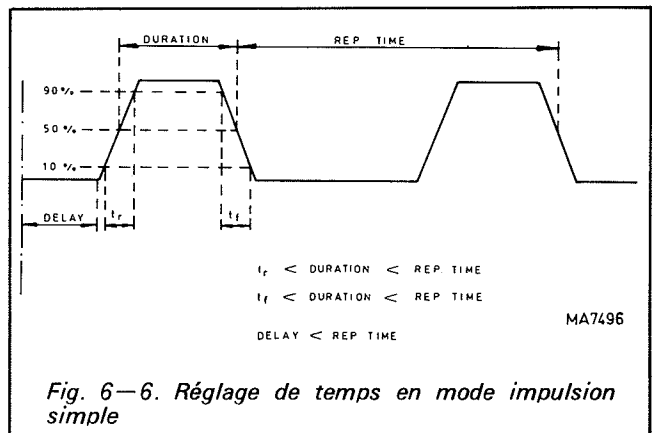


Fig. 6-6. Réglage de temps en mode impulsion simple

### MODE IMPULSION DOUBLE

Procéder comme pour le mode impulsion simple, mais enfoncer le bouton DOUBLE.

Cependant, remarquer le rapport entre le temps de répétition, le retard d'impulsion et la durée d'impulsion, voir Fig. 6-7.

Utiliser les commandes DELAY pour modifier la distance entre les impulsions doubles.

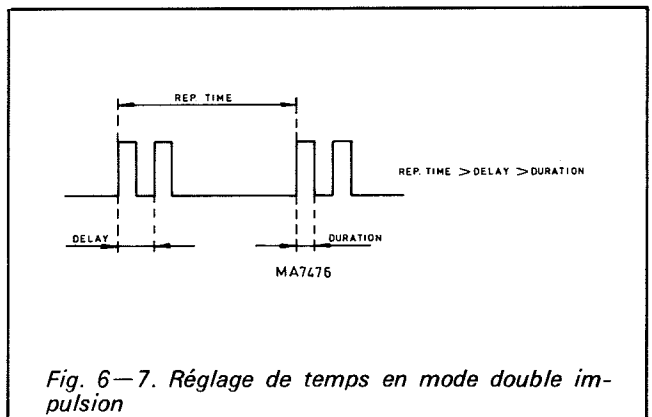


Fig. 6-7. Réglage de temps en mode double impulsion

## MODE RECTANGULAIRE (T/2)

- Mettre le commutateur REPETITION TIME en position requise
- Enfoncer le bouton T/2
- Choisir la polarité à l'aide du commutateur + -

Un signal rectangulaire est disponible au connecteur PULSE OUT.

L'amplitude et la tension continue d'offset sont variables. Dans les deux positions à temps de répétition les plus rapides, le facteur de marche est de  $50\% \pm 20\%$ .

Remarquer que la sortie AUX. OUT fournit un signal à temps de répétition égal mais retard et durée variables (Fig. 6-8).

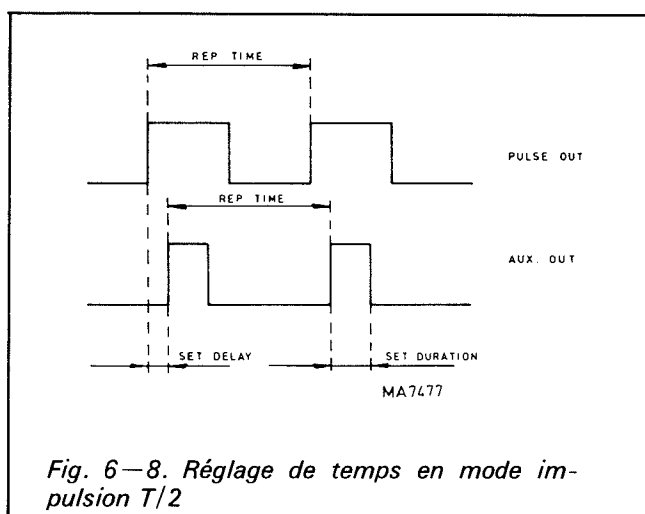


Fig. 6-8. Réglage de temps en mode impulsion T/2

## IMPULSIONS SIMPLES OU DOUBLES A CONDITIONNEMENT

Connecter le signal de conditionnement à l'entrée TRIGG./GATE IN. L'amplitude du signal de conditionnement doit dépasser +1V. L'amplitude maximale est de +12V.

Le flanc positif du signal de conditionnement déclenche le générateur. Le générateur peut être conditionné en modes impulsion simple et impulsion double.

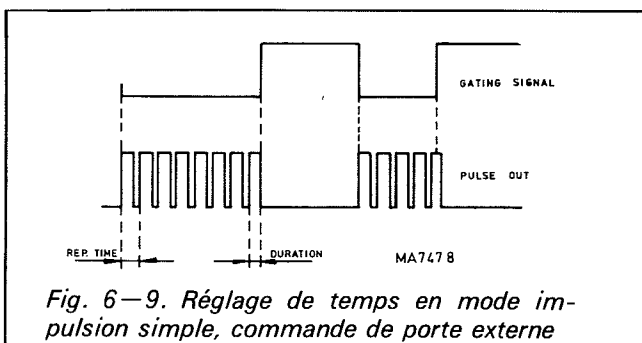


Fig. 6-9. Réglage de temps en mode impulsion simple, commande de porte externe

Choisir le rapport approprié entre le temps de répétition, la durée d'impulsion de conditionnement, le retard et la durée d'impulsion interne, comme décrit aux paragraphes "mode RAMP TIME et mode IMPULSION SIMPLE" représenté aux Fig. 6-9 et 6-10.

Le conditionnement est synchrone, ce qui signifie que la première impulsion coïncide avec le flanc arrière de l'impulsion de conditionnement. La dernière impulsion maintient la durée réglée même si l'impulsion de conditionnement se termine pendant l'impulsion. Le retard général de l'entrée TRIGG./GATE IN vers la sortie PULSE OUT est d'environ 50ns lorsque le commutateur DELAY est réglé sur 10ns.

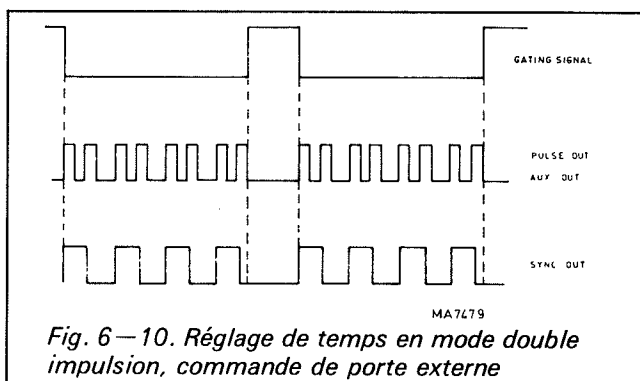


Fig. 6-10. Réglage de temps en mode double impulsion, commande de porte externe

## DECLENCHEMENT EXTERNE

- Mettre le commutateur REPETITION TIME en position EXT.
  - Connecter un signal de déclenchement avec amplitude  $> +1V$  (+12V max.), fréquence 0-50MHz au connecteur TRIGG./GATE IN
- Le multivibrateur interne est alors hors service
- Enfoncer les boutons SINGLE ou DOUBLE et régler DELAY en conséquence (voir paragraphes "mode RAMP TIME et mode IMPULSION SIMPLE")

Les sorties PULSE OUT et AUX. OUT fournissent des signaux à temps de répétition égal à celui du signal de déclenchement, mais dont le retard et la durée doivent être réglés avec les organes de commande du panneau avant.

La sortie SYNC. OUT fournit une impulsion rectangulaire à temps de répétition et facteur de marche égaux à ceux du signal de déclenchement.

## CONFORMATION D'IMPULSIONS

- Mettre le commutateur REPETITION TIME en position EXT.
- Appliquer le signal à conformer à l'entrée TRIGG./GATE IN (amplitude +1V à +12V)



- Enfoncer le bouton T/2
- Choisir l'amplitude et la tension continue d'offset appropriées, et la polarité

Le connecteur PULSE OUT fournit alors un signal à temps de répétition et facteur de marche égaux à ceux du signal d'entrée, mais conformé (distorsion harmonique, temps de transition) en fonction des spécifications du générateur (Fig. 6-11).

Le retard et la durée d'impulsion peuvent être variés sur le signal disponible à AUX. OUT.

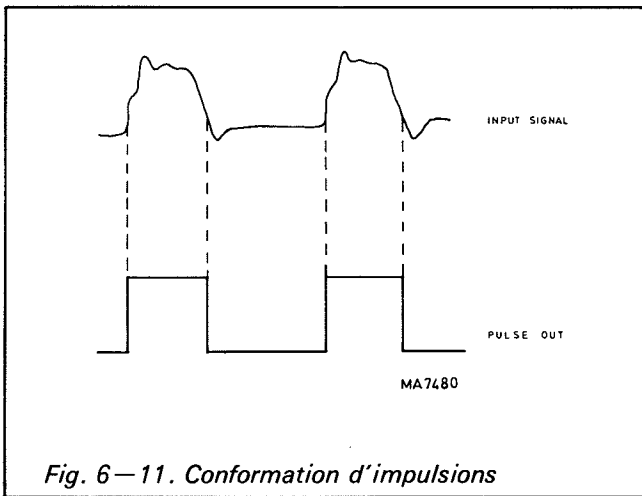


Fig. 6-11. Conformation d'impulsions

### FONCTIONNEMENT MONOCOURSE

- Mettre le commutateur REPETITION TIME en position EXT.
- Régler DURATION et DELAY sur les valeurs requises
- Choisir le mode NORMAL ou INVERTED, l'amplitude et la tension continue d'offset
- Enfoncer le bouton SINGLE SHOT

Une seule impulsion est alors engendrée: sa durée est réglée avec les organes de commande sur le panneau avant. Les circuits de commutation électronique assurent une commutation stable.

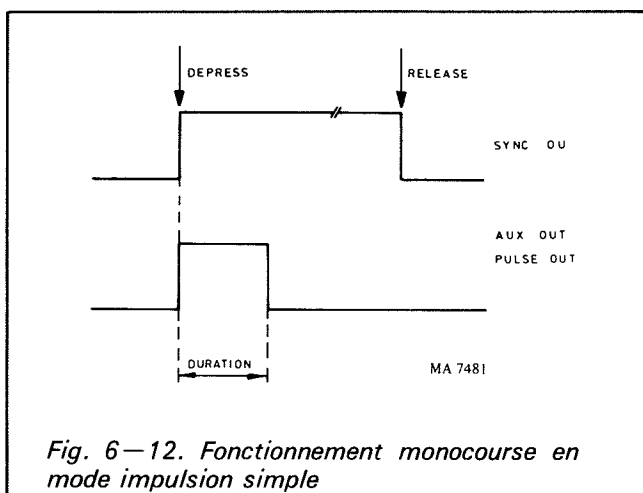


Fig. 6-12. Fonctionnement monocourse en mode impulsion simple

Les sorties SYNC. OUT et AUX. OUT fournissent alors l'impulsion simple (Fig. 6-12).

Lorsqu'on enfonce le commutateur T/2 les circuits de retard et de durée sont déconnectés de la sortie PULSE OUT. L'impulsion engendrée reste sur PULSE OUT aussi longtemps que le commutateur SINGLE SHOT est enfoncé.

Le connecteur AUX. OUT fournit cependant une impulsion simple dont la durée est réglée avec les organes de commande sur le panneau avant (Fig. 6-13).

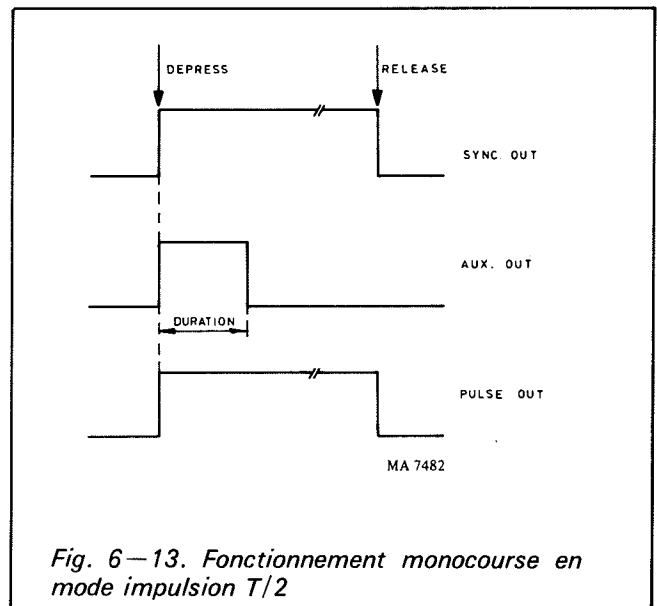


Fig. 6-13. Fonctionnement monocourse en mode impulsion T/2

### MONTAGE DOUBLE VOIE

La combinaison de deux PM 5715 donne un générateur à double voie.

Deux générateurs peuvent être placés l'un sur l'autre afin de gagner de la place (Fig 6-14).

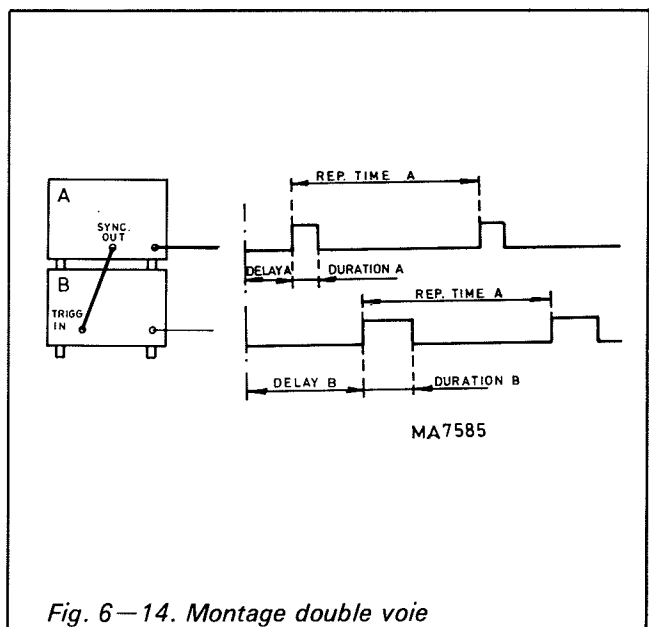


Fig. 6-14. Montage double voie

### Régler les commandes du générateur A:

REPETITION TIME > DURATION et DELAY

Connecter SYNC. OUT du générateur A à TRIGG./GATE IN du générateur B.

### Régler les commandes du générateur B:

REPETITION TIME sur EXT.

Commandes DURATION et DELAY sur des valeurs inférieures à celles du temps de répétition du générateur A.

Le retard et la durée des deux impulsions A et B peuvent être variés indépendamment de la sélection de mode impulsion simple ou double, de la tension continue d'offset, du mode normal ou inversé.

Le temps de répétition est déterminé par le générateur A.

## MELANGE DES SORTIES DES DEUX GENERATEURS

Pour former des dessins d'impulsions plus complexes il est recommandé d'interconnecter deux PM 5715 et de mélanger leurs signaux de sortie (Fig. 6 - 15).

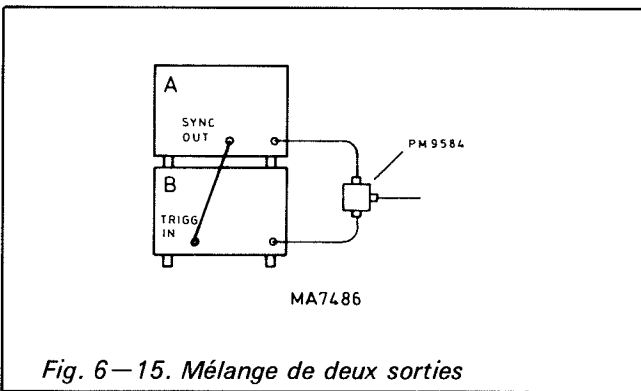


Fig. 6-15. Mélange de deux sorties

La forme d'impulsion est préservée au mieux par un adaptateur T 50Ω (par exemple type Philips PM 9584). Il est également possible de mélanger les sorties à l'aide d'une pièce T BNC normale si la distorsion d'impulsion peut être tolérée.

Les câbles des sorties doivent être de longueur égale et aussi courts que possible.

Cependant, du fait de la connexion directe entre les sorties des générateurs, certaines précautions concernant l'amplitude et le facteur de marche doivent être prises afin d'éviter l'endommagement de l'étage de sortie.

Voici deux alternatives.

### Mélange lorsqu'au moins une sortie est $\leq 5V$

Dans ce cas, il n'y a pas de risque d'endommagement.

### Mélange lorsque les deux sorties dépassent 5V

Dans ce cas la combinaison n'est pas à 100% protégée contre circuit ouvert.

Lorsque la charge est déconnectée et que le facteur de marche dépasse 50%, les transistors de sortie prélèvent plus de puissance que dans les conditions normales de court-circuit. Dans ce cas, suivre les règles suivantes:

S'assurer que la charge 50Ω est connectée avant d'enclencher les générateurs.

Vérifier les réglages de temps de sorte que chaque générateur ne produise pas plus de 50% de facteur de marche. S'assurer surtout de la permutation NORMAL sur INVERTED. Un facteur de marche de 30% en mode NORMAL devient 70% en mode INVERTED.

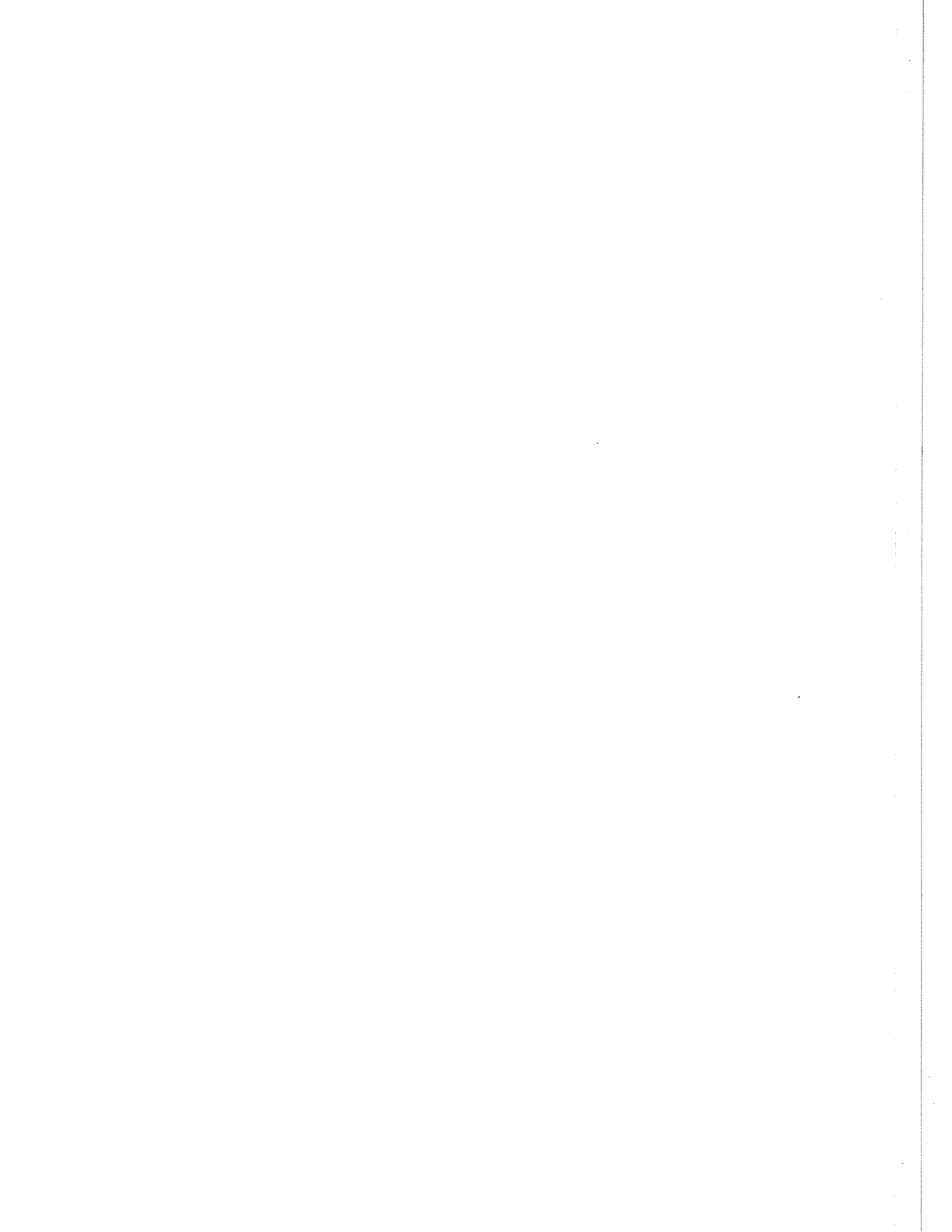
Eviter telles conditions lorsque les impulsions se chevauchent. Lorsque les impulsions sont de même polarité, les étages de sortie sont saturés.

Quoique sans danger, ceci n'est pas une véritable condition de fonctionnement.

Lorsque les impulsions sont de polarité opposée, les courants de sortie se suppriment mutuellement, et ce uniquement du côté de la charge.

## **SERVICE MANUAL**

7. Circuit description .....	51
8. Replacing parts.....	55
9. Calibration .....	58
10. Mains transformer conversion.....	60
11. Parts list.....	63
12. Test conditions, circuit diagrams, printed wiring boards and wiring diagrams .....	73



## 7. Circuit description

### TIMING CIRCUIT, UNIT PM 5715-1

Refer to the circuit diagram Fig. 12-2 or Fig. 12-4.

#### Oscillator, Schmitt trigger and gating circuits

The oscillator consists mainly of transistors TS103, 105, 108 and 109. Its repetition frequency is determined by capacitor network C105, C107...113, which are connected to the oscillator with front panel switch SK1, REPETITION TIME. Continuous setting of the frequency is achieved with constant current generator TS104, TS107, TS106 and TS109, which is operated with front panel control VERNIER, R1.

The output of the oscillator is connected to input terminal 10 of OR/NOR gate IC101, whose second input terminal 9 must be low to enable the signal to pass through (Fig. 7-1).

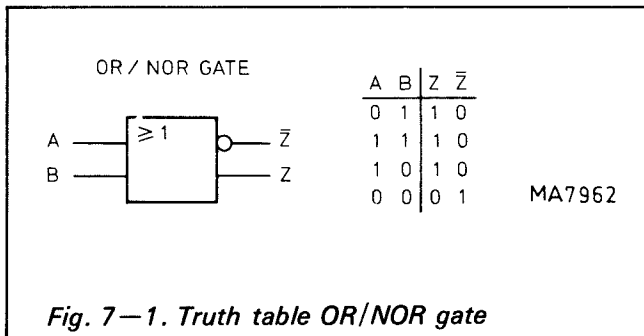


Fig. 7-1. Truth table OR/NOR gate

When switch SK1 is set to anyone of the time coefficient, the oscillator is free-running and can only be inhibited by a positive gating pulse applied at connector BU1, TRIGG./GATE IN, or if the SINGLE SHOT push-button, SK5, is depressed. A positive gating pulse affects Schmitt trigger TS101, TS102 via diodes GR101, GR102.

The Schmitt produces a positive pulse which cuts off current source TS104 via R111 and GR105. This makes that the oscillator stops because no current is supplied to TS103 and TS105. When the gating pulse goes negative, the oscillator starts and remains operative until the gating pulse goes positive again.

Similarly, the oscillator will be stopped if the SINGLE SHOT push-button SK5 is depressed. This makes that the -2.5V supply is disconnected from the diode GR102 causing the Schmitt trigger to switch and cut off current generator TS104.

In the external triggering mode, switch SK1 occupies the EXT. position which disconnects the timing capacitors C107...C113 from the oscillator that stops.

Input terminal 10 of OR/NOR gate IC101 then goes low.

Gate control transistor TS110 starts conducting causing transistor TS111 to be cut off. A triggering signal applied to input BU1 will switch the Schmitt trigger whose output signal is fed to input terminal 9 of IC101 via diode GR110. Without an external triggering signal, the Schmitt trigger generates one single pulse when push-button SINGLE SHOT, SK5, is depressed.

#### SYNC. OUT, pulse shaper and interface circuits

NOR gate IC101 provides the oscillator or shaped triggering signal at output terminal 7 and its complementary pulse and output terminal 6.

Both signals are fed to differential amplifier TS112 and TS113, that provides the synchronizing signal available at front panel output SYNC. OUT BU2.

The complementary output terminal 6 feeds a pulse shaper which produces a 5ns pulse derived from the trailing edge of the pulse.

The signal is fed directly to input terminal 4 of IC101, but it is also delayed about 5ns before it reaches input terminal 5 of the same gate.

When both inputs are low during 5ns, complementary output 3 provides a positive needle pulse which is fed to TS114, as shown in the pulse diagram Fig. 7-2.

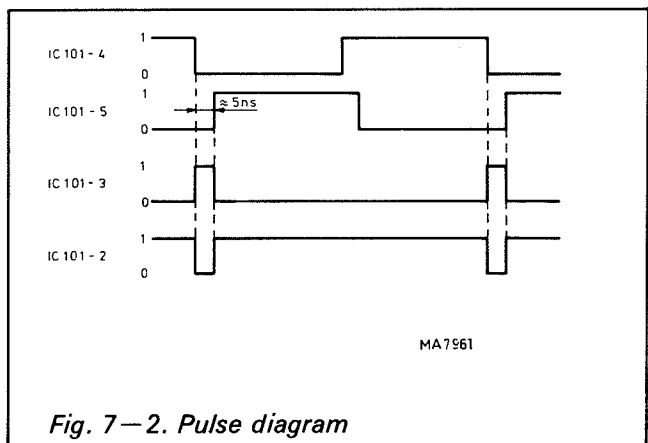


Fig. 7-2. Pulse diagram

At the same time, gate output 2 feeds TS115 with a negative needle pulse. These two transistors serve as an interface circuits between the ECL gate and the following delay circuit. The needle pulse at the collector of TS115 is shown in the oscillogram for testpoint TP103.

## Delay circuit

The 5ns pulse from interface transistor TS115 controls the delay circuit, consisting of differential stage TS116, TS117, emitter follower TS119, timing capacitors C123...C130, switch diode GR112, and constant current generator TS118.

The positive pulse is applied to the base of TS116 which cuts off TS117.

The negative step at the emitter of TS119 is coupled through the timing capacitor selected and keeps TS117 in the non-conductive state and cuts off diode GR112.

The current generated by TS118 is set with VERNIER control R2 and will now charge capacitors C123 and one of capacitors C124...C130 as set with the DELAY switch SK2. When the charging level has reached zero, TS117 and GR112 start conducting and TS116 cuts off. The timing capacitors will now discharge through GR112. At the collector of TS117 a pulse occurs, whose duration is determined by the selected value of the timing capacitors (DELAY switch) and the value of the charging current (VERNIER control). This pulse is shown in the oscillogram recorded at test point TP104.

## Pulse shaper, double pulse gating, interface circuits

The "delay" pulse at output terminal 15 of OR/NOR gate IC102 is fed to input terminal 4 of IC102. This pulse is also delayed about 5ns before it reaches the second input terminal 5 of the same gate.

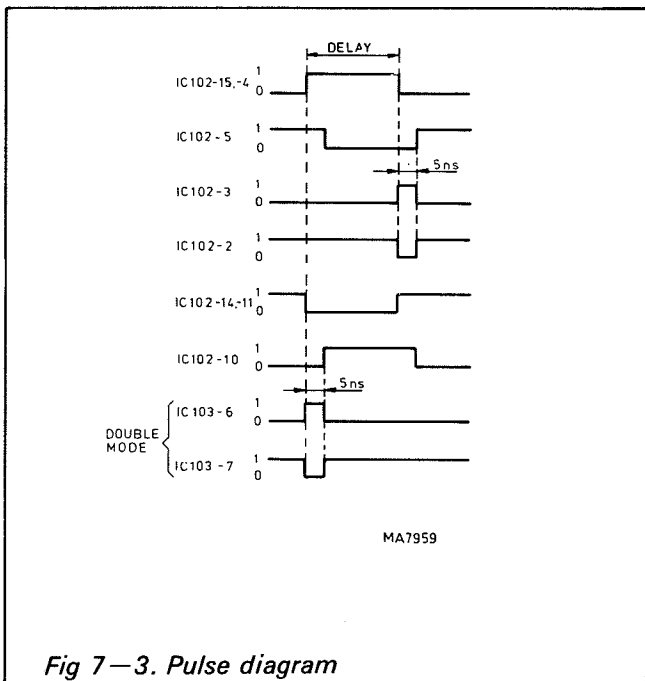


Fig 7-3. Pulse diagram

The output result is a 5ns pulse at terminals 3 and 2, occurring at the same time as the trailing edge of the "delay" pulse (see pulse diagram Fig. 7-3).

In the DOUBLE mode, that is, when switch SK7 is depressed, a 5ns pulse derived from the leading edge of the "delay" pulse is produced at the output terminals 6 and 7 of the OR/NOR gate IC103 (see the pulse diagram Fig. 7-3).

In the SINGLE mode, as indicated in the circuit diagram, this gate is inhibited because input terminal 9 of IC103 is permanently high.

In the DOUBLE mode however, input 9 is low and thus the gate is enabled.

Interface circuit TS120 and TS122 provide the 5ns pulse controlling the duration circuit. In the DOUBLE mode, interface circuit TS121 and TS123 are also operative.

## Duration circuit

The principles of functions of the duration circuit is the same as for the delay circuit (see paragraph "delay circuit").

TS124, TS125 form the differential amplifier, TS126 is the constant current source charging timing capacitors C138...C145, GR114 is the switching diode discharging the capacitors, and TS127 the emitter follower providing the negative step to TS125 and GR114.

## Auxiliary output, driver stage

The pulse now having a duration as set with the front panel controls is fed to input terminal 5 of OR/NOR gate IC103 which acts as an inverter with one inverted and one non-inverted output. One of the output is selected with the NORMAL/INVERTED switch SK10.

An amplifier network TS128...TS131 shapes the signal and provides the TTL matched auxiliary signal available at output BU3, AUX. OUT.

From the NORMAL/INVERTED switch SK10 the signal passes the T/2 switch SK8 to input terminal 13 of OR/NOR gate IC103 whose output terminals 14 and 15 provide the normal and inverted pulse driving the output stage on unit PM 5715-2.

When switch T/2, SK8 is depressed, the delay and duration circuits are disconnected from the output stage and the oscillator or triggered signal from output terminal 7 of OR/NOR gate IC101 is fed directly to the output stage via the driver.

## Polarity switch SK9

Although located on unit PM 5715-1, this

switch controls the output amplifiers on unit PM 5715-2. Refer to paragraph "Positive and negative pulse amplifiers".

## OUTPUT CIRCUIT: PM 5715-2

Refer to the circuit diagram Fig. 12-6 or Fig. 12-8.

## Differential amplifier and ramp generator

The output signals from the timing circuit on unit PM 5715-1 enter the output circuit through terminals BU206 (normal pulse) and BU207 (inverted pulse). Differential amplifier TS201-TS202 provides the signal to the ramp generator circuit, consisting of transistors TS203...TS206, diodes GR202, GR203, timing capacitors C205...C211, controlled by RAMP TIME switch SK4, and rise/fall time verniers R4, R5.

The simplified diagram Fig. 7-4 illustrates the principal function of the ramp generator.

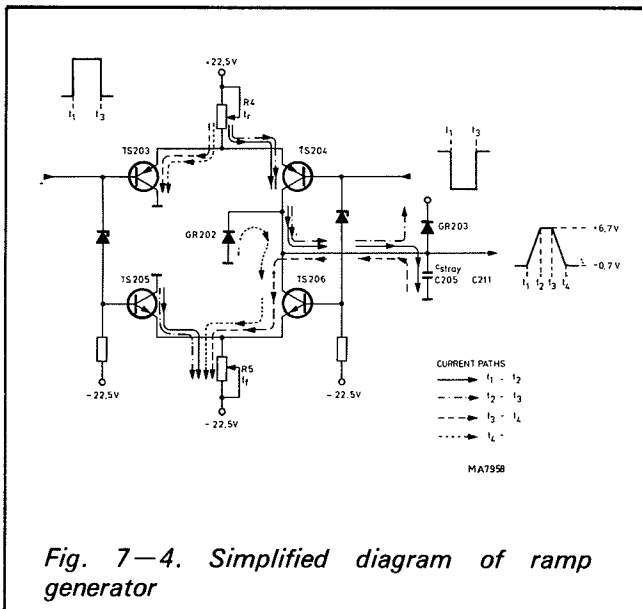


Fig. 7-4. Simplified diagram of ramp generator

At moment  $t_1$ , TS203 and TS206 are cut off while TS204 and TS205 are conducting. In the 6ns position of switch SK4, the current through TS204 is charging the stray capacitances across the diodes.

In the remaining positions of SK4, capacitors C205...C211 are charged. The charging time is set with SK4 and vernier  $t_r$ , R4, that controls the current through TS204. At moment  $t_2$ , the voltage across the capacitors has reached +6.7V, diode GR302 then starts conducting and clamps the voltage.

At moment  $t_3$ , the differential amplifiers TS203-TS204 and TS205-TS206 will switch over causing TS204 and TS205 to turn off.

The current path is now diverted through TS203 and TS206.

The charged capacitors will discharge through TS206.

The discharging time is set with SK4 and vernier  $t_f$ , R5, that controls the current through TS206. When the voltage has dropped to -0.7V, diode GR202 will turn on and clamp the voltage.

## Positive and negative pulse amplifiers

The signal is fed to emitter follower TS207 from which it is diverted into two channels, the positive pulse amplifier and the negative pulse amplifier.

The positive channel consists of differential amplifier TS210-TS211, emitter follower TS212, parallel coupled emitter followers TS214 and TS215, and output power transistors TS216-TS217.

When the "+ -" switch SK9, located on unit PM 5715-1, is set to position "+", the -22.5V supply is fed to the collector of TS211 via contact BU210 which makes the amplifier operative.

R226 sets the clipping level of the pulse top.

The signal is fed to the emitter follower TS212 and parallel coupled driver stage TS214-TS215. In the emitter circuit of these transistors the amplitude vernier, R7, is connected which determines the current through the transistors and thus the amplitude of the pulse.

An RC network shapes the pulse further: overshoots are compensated for by C229.

Next, a parallel coupled output stage TS216-TS217 provides the output signal to the attenuator network.

Potentiometer R261 sets the bias of the output transistors via emitter follower TS225.

In the negative output amplifier, transistor TS208 performs an inverting and clipping function. Via common base transistor TS209 the signal is fed to emitter follower TS213. This transistor is controlled by the "+ -" switch SK9 on unit PM 5715-1, via contact BU209. When this switch is set to "-", the -22.5V supply is connected to the collector of TS213 and the amplifier becomes operative.

Four parallel coupled driver transistors feed the output stage via a compensating network similar to that of the positive channel.

The parallel coupled output power transistors TS218-TS219 are biased by the emitter voltage of TS224 that is controlled by potentiometer R258.

### Attenuator and d.c. offset circuit

In the circuit diagram, the attenuator is drawn in position "10V", that is, switch SK11 is depressed. This means that the reed switch RE201 disconnects the 50Ω internal load R262, R263, that is terminating the output stage at all remaining amplitude settings.

A d.c. offset from +2.5V to -2.5V can be introduced by adding a positive or negative current to the output line via L201.

This function is performed by transistors TS226...TS229 that are controlled by front panel potentiometer DC OFFSET, R4. In the 10V position, the offset current is reduced by one half, because switch SK11 is connecting resistor R275 in series with R274.

### POWER SUPPLY, UNIT PM 5715-3

Refer to the circuit diagram Fig. 12-10 or Fig. 12-12.

This unit provides three stabilized and overload protected supply voltages: +22.5V, +6V and -22.5V.

The +22.5V, that is presettable with potentiometer R313, also serves as the reference voltage for the other two stabilizing circuits. Since the principles of function is the same for all three circuits only the +22.5V portion will be described here.

The d.c. voltage from rectifier bridge GR301 is fed to the collectors of series regulator TS302 and its current driver TS301.

Operational amplifier IC301 controls the current driver TS301 via zener diode GR304. Zener diode GR305 provides the reference voltage for the operational amplifier, which senses and counteracts the variations of the supply voltage.

Overload and short-circuit protection is achieved with resistor R308 and transistor TS305, that is normally cut off.

An increased load current will increase the voltage drop across R308 and bias TS305 into conduction. This will reduce the current output of series regulator TS302.



## 8. Replacing parts

### COVER PLATES

The top and bottom covers are secured to the rear panel with 2 screws each. Remove the screws and pull up the cover.

### KNOBS AND PUSH-BUTTONS

#### KNOBS

1. Pull out cap of knob
2. Loosen nut and pull off knob
3. When fitting the knob, ensure that the white indications are positioned as before removal

#### PUSH-BUTTONS

1. Pull out the button using a pair of pliers

#### HANDLE

1. Remove the two screws securing the handle caps to the side strips
2. Remove handle caps and pull out handle

### TEXT PLATE ASSEMBLY

1. Remove top and bottom covers
2. Remove all knobs
3. Snap off text plate together with ornamental frame

### PRINTED-CIRCUIT CARDS

#### UNIT PM 5715-1

1. Loosen unit PM 5715-2 (refer to paragraph "UNIT PM 5715-2" steps 1 and 3)
2. Remove all fast-on connections
3. Loosen flexible card PM 5715-4 from connector
4. Remove knobs and text plate assembly
5. Remove nuts securing rotary switches to front panel
6. Remove screws securing side profiles to front panel
7. Pull up front panel and take out circuit card

*Note: The spare board should be provided with push-button switch SK9, and resistor R503 as shown in circuit board drawing Fig. 12-3.*

#### UNIT PM 5715-2

1. Remove 2 screws securing card to rear panel
2. Remove 1 screw securing card to front panel
3. Loosen card from connector on unit PM 5715-1
4. Pull up and take out the card

#### UNIT PM 5715-3

1. Remove handle and its bearing bushes
2. Remove both ornamental strips covering the side profile
3. Loosen 2 screws securing unit PM 5715-2 to rear panel
4. Remove fast-on connections between units PM 5715-3 and PM 5715-2
5. Remove screws securing rear panel to side profiles
6. Pull rear panel backwards
7. Remove the screws fixing the three power transistors TS302...TS304 to rear panel
8. Remove 4 screws securing card to rear panel and take out card

### OUTPUT TRANSISTORS TS216 – TS217, TS218 – TS219 ON UNIT PM 5715-2

*Note: These transistors are placed in lead spring sockets.*

*No soldering is required!*

1. Remove circuit card PM 5715-2 (refer to "PRINTED CIRCUIT CARDS, Unit PM 5715-2")
2. Loosen screw and remove leaf spring
3. Pull up transistors using a pair of pliers

### IC's 101, 102, 103 ON UNIT PM 5715-1

1. Remove the top portion of the IC housing using a cutter
2. Remove the bottom portion until the leads of the IC remains
3. Unsolder the leads one by one

### FRONT PANEL POTENTIOMETERS R1...R7

1. Remove text plate assembly (refer to "TEXT PLATE ASSEMBLY")
2. Remove nuts securing potentiometers to front panel
3. Disconnect the flexible card PM 5715-4 and take out the assembly
4. Unsolder potentiometer to be replaced. Avoid excessive heating.

## MAINS TRANSFORMER

1. Unsolder the green wire at contact 13 of transformer
2. Remove 4 screws securing transformer to rear panel
3. Pull out transformer and unsolder remaining connections

## LAMP IN MAINS SWITCH

1. Cut lamp leads
2. Pull out lamp
3. Remove push-button
4. Install a new lamp. Ensure that the lamp protrudes about 3mm from front panel.

## MAINS SWITCH

Instruments of version -/01 and some of version -/02 are provided with a single-pole mains switch.

The Central Service Department however, delivers a mains switch of the double-breaking type as spare part. It is therefore necessary to change the wiring of the mains switch when replacing it in the above-mentioned versions. The wiring diagram is shown in Fig. 8-1.

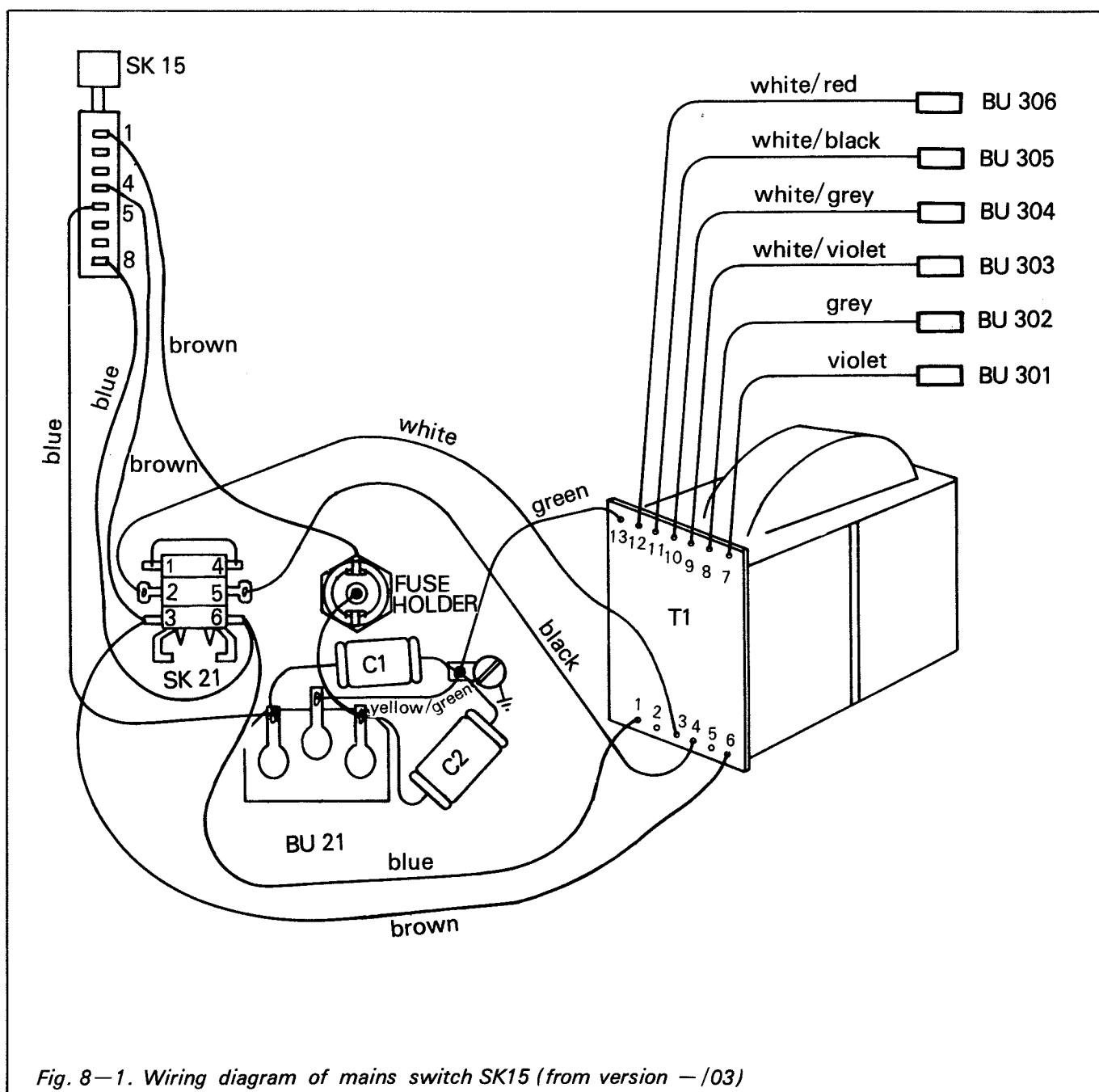


Fig. 8-1. Wiring diagram of mains switch SK15 (from version -/03)

## PUSH-BUTTON SWITCHES

SK6...SK10 (UNIT PM 5715-1)

1. Remove push-buttons
2. Slightly bend 4 tags securing switch to rail (Fig. 8-2)
3. Unsolder switch and remove from card

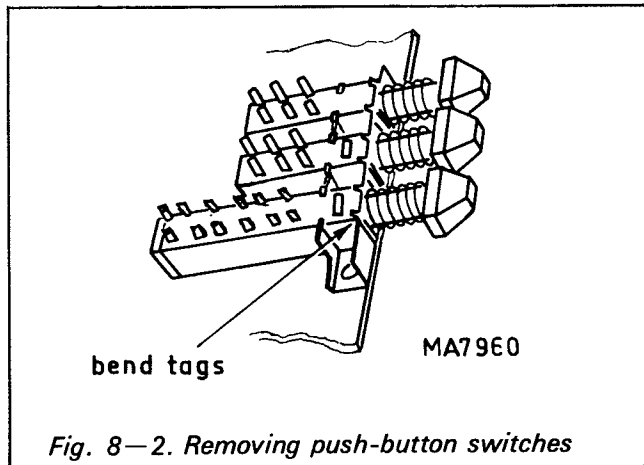


Fig. 8-2. Removing push-button switches

SK11...SK14 (UNIT PM 5715-2)

1. Remove circuit card PM 5715-2 (refer to "PRINTED CIRCUIT CARDS, Unit PM 5715-2")
2. Proceed as in "SK6...SK10" above, steps 2 and 3.

## ROTARY SWITCHES SK1...SK4

1. Remove circuit card PM 5715-1 (refer to "PRINTED CIRCUIT CARDS, Unit PM 5715-1")
2. Break connection pins of switch to be replaced
3. Unsolder pins one by one at the soldering side of the card

*Note: Use a sucking device. Avoid excessive heating.*

## SHIPMENT OF THE INSTRUMENT

### Remark

In case of breakdowns one can always apply to the world-wide PHILIPS Service Organisation. Whenever it is desired to send the instrument to a PHILIPS Service Centre for repair, the following points should be observed:

- tie on a label, bearing full name and address of the sender
- indicate as complete as possible the symptoms of the faults
- carefully pack the instrument in the original packing, if still available
- send the instrument to the address provided by your local PHILIPS representative

## 9. Calibration

### SURVEY OF CALIBRATION POINTS AND REQUIRED TEST INSTRUMENTS

Calibration point	Calibration	Refer to paragraph
R313	+ 22.5V	A
R502	Start oscillator	B
R226	Trailing ramp	C
R258	Pulse amplitude	C
R261	Pulse amplitude	C
C226	Pulse shape	C
C229	Pulse shape	C

#### Test instruments and devices

For calibration of R313 use:

Digital voltmeter, e.g. PHILIPS PM2421

For calibration of R502...C229 use:

Sampling oscilloscope, e.g. PHILIPS PM3400

20dB attenuator, 50Ω

### A. POWER SUPPLY, UNIT 5715-3

#### GENERAL

Allow the PM 5715 to warm up for at least 10 minutes before calibrating. The voltages mentioned apply at nominal mains voltage.

#### EQUIPMENT REQUIRED

– Digital voltmeter, e.g. PHILIPS PM 2421

+ 22.5V

1. Connect the DVM to terminal BU309 on the power supply unit PM 5715-3
2. Set trimmer R313 until the DVM reads + 22.5V ± 1%
3. Check that the voltage at terminal BU307 is - 22.5V ± 1%
4. Check that the voltage at terminal BU310 is + 6V ± 1%

### B. TIMING CIRCUIT, UNIT PM 5715-1

#### EQUIPMENT REQUIRED

– Sampling oscilloscope PM 3400

– 50Ω attenuator, 20dB

#### OSCILLATOR

1. Set the PM 5715 controls as follows:  
REP. TIME           20ns  
VERNIER            fully clockwise
2. Connect the SYNC. OUT output to the oscilloscope via 20dB attenuator
3. Set the trimmer R502 on unit PM 5715-1 until the oscillator runs properly
4. Rotate the rep. time VERNIER fully counter-clockwise
5. Check that the oscillator runs properly. If not, readjust R502 and repeat steps 3 through 5

### C. OUTPUT CIRCUIT, UNIT PM 5715-2

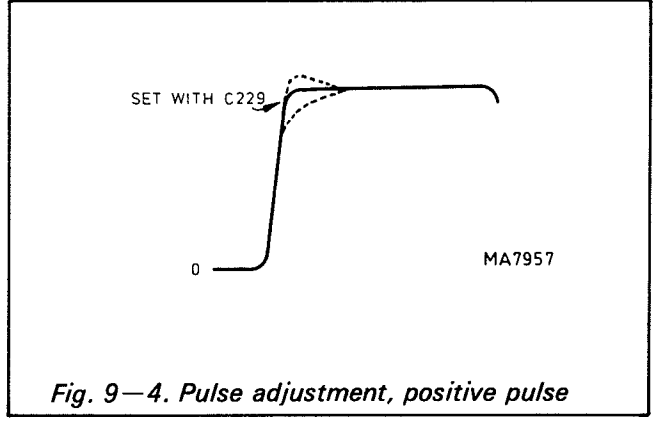
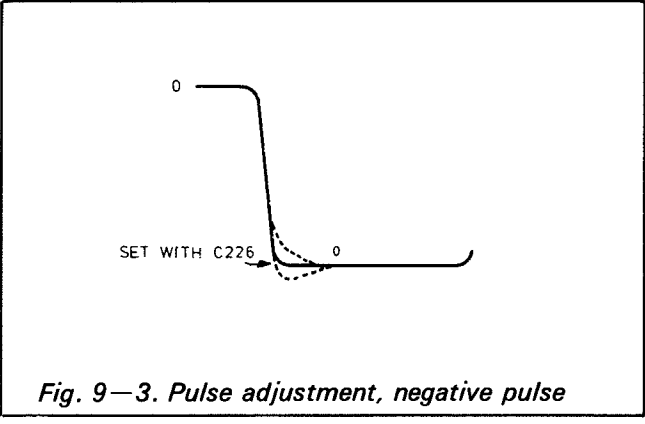
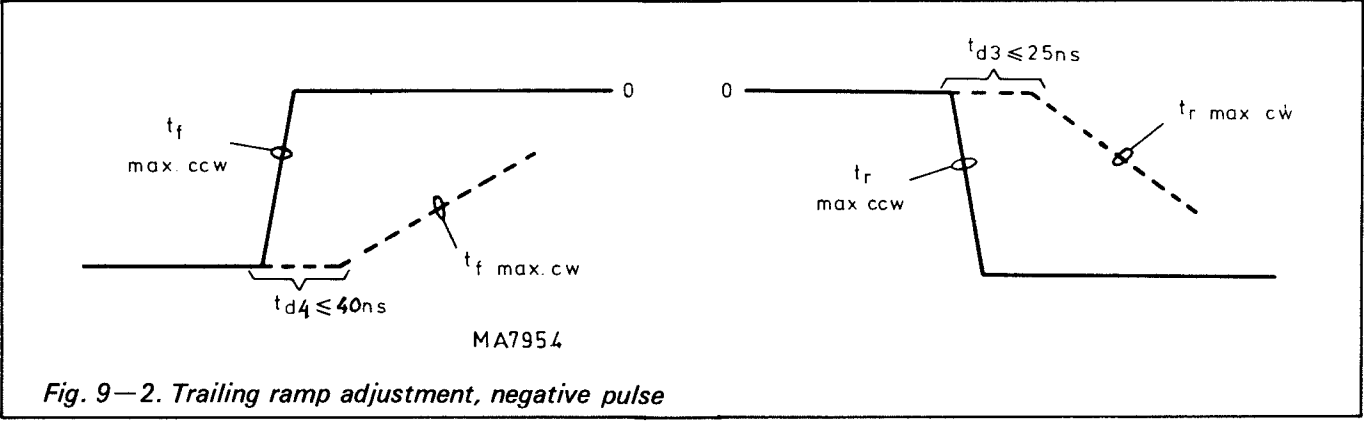
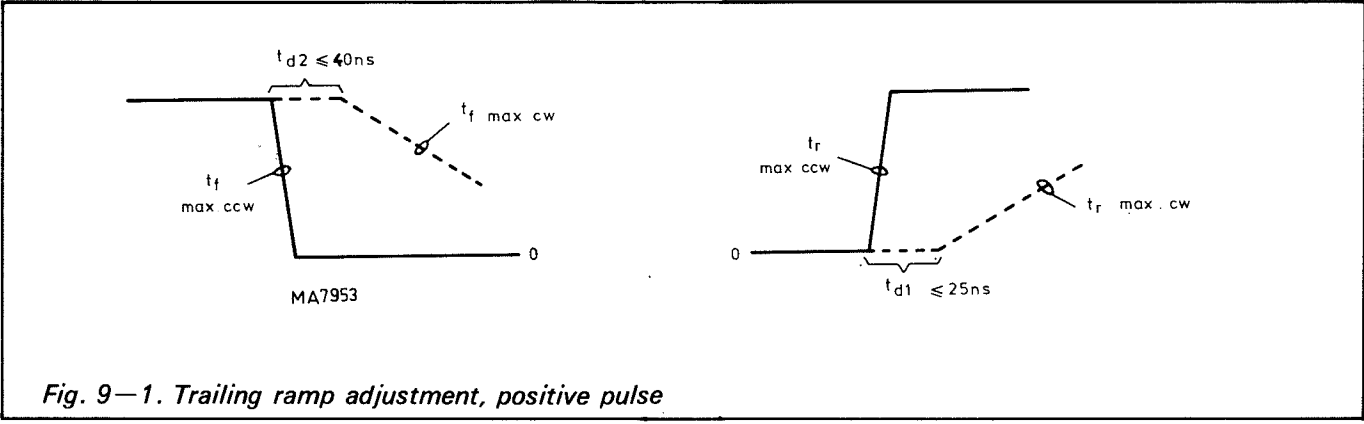
#### EQUIPMENT REQUIRED

– Sampling oscilloscope, PM 3400

– 50Ω attenuator, 20dB

#### PROCEDURE

1. Set the controls of PM 5715 as follow:  
REP. TIME           1μs  
VERNIER            fully counter clockwise  
T/2 mode           " ± "  
" ± "                " + "  
NORM/INV.         NORMAL  
DC OFFSET         0V  
AMPLITUDE         5V  
VERNIER            fully clockwise  
RAMP TIME         6ns  
tr, tf               fully counter-clockwise
2. Connect the sampling oscilloscope to PULSE OUT via 20dB attenuator
3. Set R226, R258 and R261 to mid-position
4. Set C226 and C229 to minimum capacitance
5. Adjust R261 until pulse amplitude is + 5.5V
6. Turn vernier tf fully clockwise
7. Adjust R226 until td2 is 40ns (refer to Fig. 9 – 1)
8. Repeat steps 5, 6 and 7
9. Turn vernier tr fully clockwise and check that td1 ≤ 25ns (refer to Fig. 9 – 1)
10. Set switch " ± " to " – "
11. Adjust R258 until pulse amplitude is - 5.5V
12. Turn vernier tr and tf fully clockwise and check that td3 is ≤ 25ns and td4 is ≤ 40ns (Fig. 9 – 2)
13. Set vernier tr and tf fully counter-clockwise. Adjust trimmer C226 until output pulse has no overshoot or rounding (refer to Fig. 9 – 3)
14. Set switch " ± " to " + "
15. Adjust C229 until output pulse has no overshoot or rounding (refer to Fig. 9 – 4)



# 10. Mains transformer conversion

From versions /00 to /09 and from version /11

The instrument can be set to 4 mains voltage ranges. See figures 10-1 and 10-4 for setting instructions.

Mains voltage	Select wiring	Set SK121	Insert slowblow fuse
85...115V	Fig. 10-2	110V	800mA
100...130V	Fig. 10-3	110V	800mA
170...230V	Fig. 10-2	220V	400mA
200...260V	Fig. 10-3	220V	400mA

Fig. 10-1. Mains voltage setting

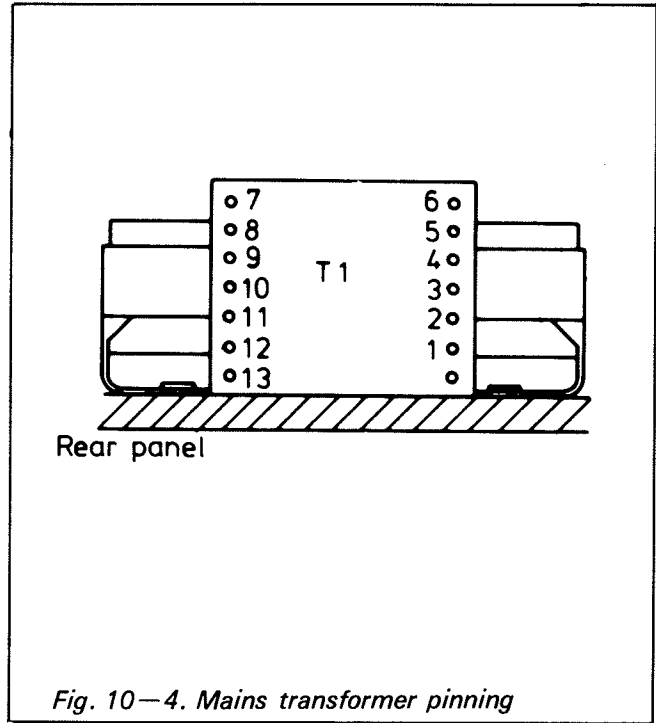


Fig. 10-4. Mains transformer pinning

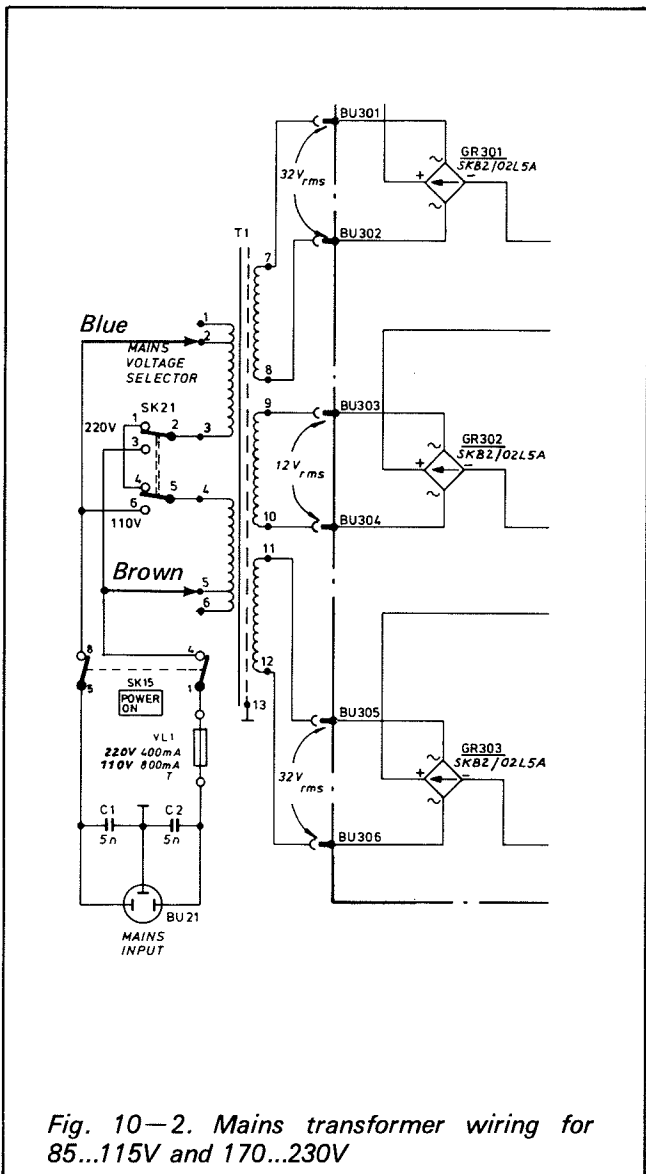


Fig. 10-2. Mains transformer wiring for 85...115V and 170...230V

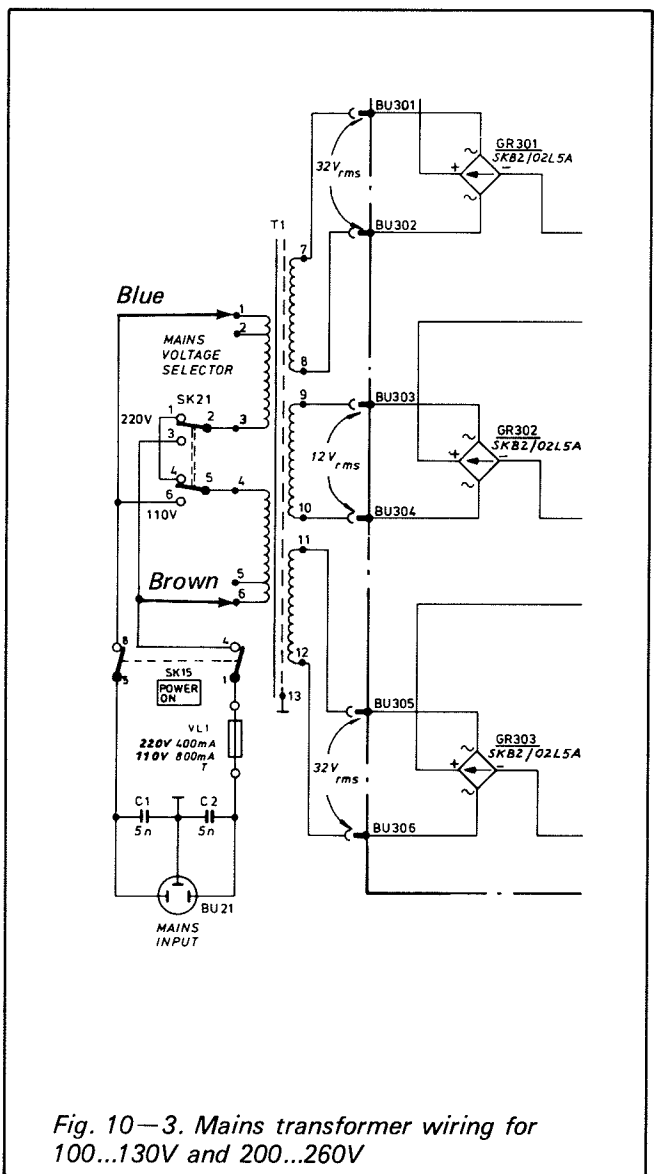
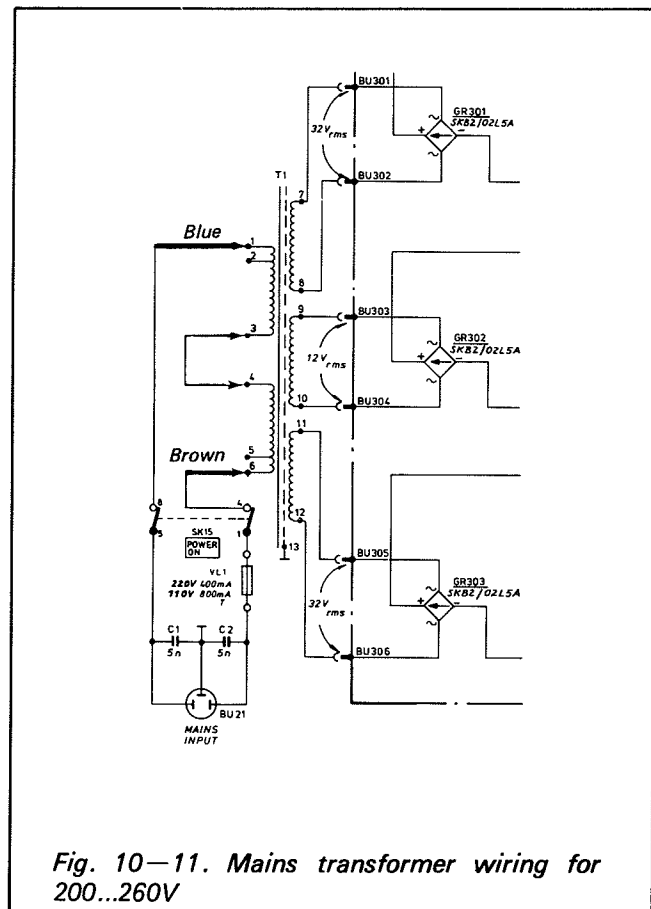
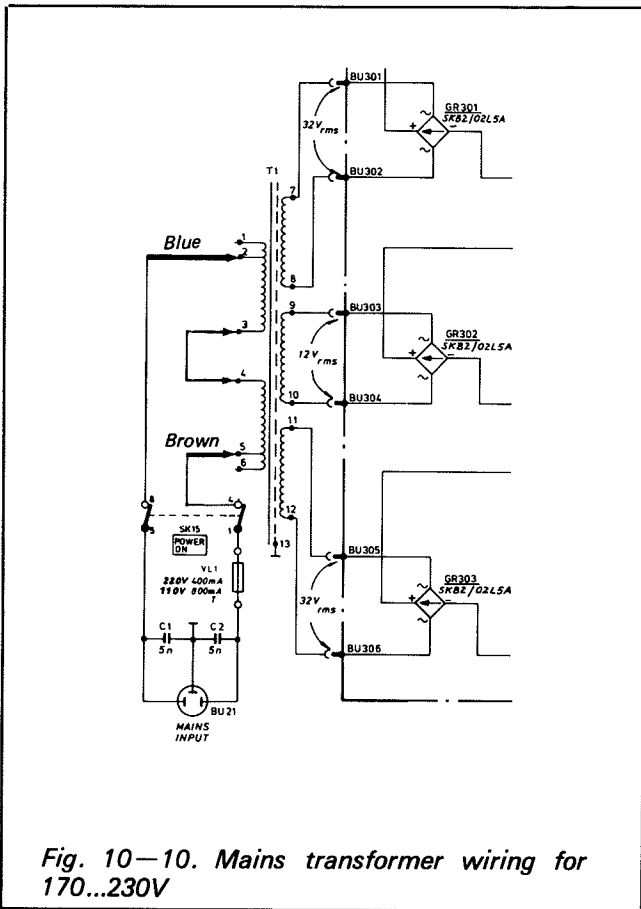


Fig. 10-3. Mains transformer wiring for 100...130V and 200...260V







## 11. Parts list

### MECHANICAL

Ordering number	Description
5322 455 74018	Text plate
5322 477 94068	Top cover
5322 447 94068	Bottom cover (without feet and leaf springs)
5322 462 44121	Foot
5322 492 64338	Leaf spring (for fixing the foot)
5322 498 54032	Handle assembly
5322 535 74367	Spindle for handle
5322 498 74003	Cap for handle
5322 520 34138	Bearing bush for handle, left side
5322 520 34139	Bearing bush for handle, right side
5322 460 64002	Ornamental frame
5322 460 64003	Ornamental strip
5322 414 34096	Control knob
5322 414 74015	Cap for control knob
5322 414 34076	Switch knob
5322 414 74014	Cap for switch knob
5322 462 34115	Guide rail
5322 268 24026	Transistor lead spring socket <b>TS216, 217, 218, 219</b>
5322 414 14011	Push-button*
	Push-button, Jeanrenaud Type 82 ABS-T-35020 for switch type TJ**
5322 414 14012	Push-button for mains switch
5322 381 14122	Lens for push-button (mains switch)
5322 267 10004	BNC connector <b>BU1...BU4</b>
5322 265 30066	Mains input socket
5322 256 34022	Fuse holder, type Belling-Lee E6011A
5322 532 64126	Nylon ring for the DC OFFSET control
5322 492 64339	Leaf spring for the DC OFFSET control
5322 255 44057	Accessory set for mounting <b>TS226,227 and 303</b>
5322 492 64341	Leaf spring for heat sink <b>TS216...219</b>
5322 273 34024	Rotary switch <b>SK1</b>
5322 273 34025	Rotary switch <b>SK2, SK3</b>
5322 273 34032	Rotary switch <b>SK4</b>
5322 276 14095	Mains switch <b>SK15</b>
5322 277 14064	Voltage selector switch versions /00 to /09 and from version /11, <b>SK21</b>
5322 272 10217	Voltage selector switch version /10
5322 276 14117	Push-button switch <b>SK5, SK6, SK7, SK8, SK9, SK10, SK12, SK13, SK14</b> , Jeanrenaud type JM
5322 276 14102	Push-button switch <b>SK11</b> , Jeanrenaud type TJ
5322 134 40167	Lamp in mains switch, Philips type 683
5322 255 40089	Transistor holder TO18
5322 255 40015	Transistor holder TO5
5322 255 40053	Heat sink for <b>TS207</b>
5322 255 44026	Holder for wafer switch <b>SK4</b> , Molex 1938-4
5322 255 44071	IC holder 8 pins*
4822 255 40112	Mica washer for <b>TS302, TS304</b> , PHILIPS type 56325

\*From version - /03

\*\*Versions - /01 and - /02 only

**ELECTRICAL****Capacitors**

<b>No.</b>	<b>Ordering number</b>	<b>Value</b>	<b>Voltage</b>	<b>Tolerance %</b>
C1	4822 121 20067	5 nF	5000	
C2	4822 121 20067	5 nF	5000	
C101	4822 124 20711	22 $\mu$ F	40	-10 +50
C102	4822 122 10229	22 pF	100	2
C103	5322 121 40323	100 nF	100	10
C104	4822 122 30043	10 nF	63	-20 +80
C105	4822 122 31069	39 pF	100	2
C107	4822 121 50529	220 pF	500	1
C108	4822 121 50389	3.3 nF	63	1
C109	5322 121 44025	33 nF	400	10
C110	5322 124 14026	330 nF	35	10
C111	5322 124 14052	3.3 $\mu$ F	16	10
C112	5322 124 14053	33 $\mu$ F	10	10
C113	5322 124 14054	330 $\mu$ F	6.3	10
C115	5322 121 40323	100 nF	100	10
C116	5322 121 40323	100 nF	100	10
C117	4822 122 31823	15 pF	100	2
C118	5322 121 40323	100 nF	100	10
C119	4822 122 31823	15 pF	100	$\pm 0.25$ pF
C120	4822 122 30043	10 nF	63	-20 +80
C121	4822 122 30043	10 nF	63	-20 +80
C122	5322 121 40323	100 nF	100	10
C123	4822 122 31076	68 pF	100	2
C124	4822 122 31054	10 pF	100	2
C125	5322 121 54061	680 pF	500	1
C126	4822 121 50538	6.8 nF	63	1
C127	4822 121 41156	68 nF	250	10
C128	5322 124 14039	680 nF	35	10
C129	5322 124 14055	6.8 $\mu$ F	6.3	10
C130	5322 124 14056	68 $\mu$ F	16	10
C131	5322 121 40323	100 nF	100	10
C132	5322 121 40323	100 nF	100	10
C133	4822 122 31823	15 pF	100	2
C134	4822 122 31823	15 pF	100	$\pm 0.25$ pF
C135	4822 122 30043	10 nF	63	-20 +80
C136	4822 122 30043	10 nF	63	-20 +80
C138	4822 122 31072	47 pF	100	2
C139	4822 122 30045	27 pF	100	2
C140	5322 121 54061	680 pF	500	1
C141	4822 121 50538	6.8 nF	63	1
C142	4822 121 41156	68 nF	250	10
C143	5322 124 14039	680 nF	35	10
C144	5322 124 14055	6.8 $\mu$ F	6.3	10
C145	5322 124 14056	68 $\mu$ F	16	10
C146	5322 121 40323	100 nF	100	10
C147	5322 121 40323	100 nF	100	10
C148	5322 121 40323	100 nF	100	10
C149	4822 124 20701	100 $\mu$ F	25	-10 +50
C150	4822 124 20693	220 $\mu$ F	16	-10 +50

No.	Ordering number	Value	Voltage	Tolerance %
C151	4822 124 20701	100 $\mu$ F	25	-10 +50
C152	5322 121 40323	100 nF	100	10
C153	4822 122 31058	15 pF	100	2
C154	4822 122 30043	10 nF	63	-20 +80
C155	4822 122 30043	10 nF	63	-20 +80
C156	4822 122 30043	10 nF	63	-20 +80
C157	4822 122 30043	10 nF	63	-20 +80
C158	4822 122 30043	10 nF	63	-20 +80
C159	4822 122 30043	10 nF	63	-20 +80
C201	5322 124 20596	33 $\mu$ F	25	20
C202	4822 121 50413	33 $\mu$ F	25	20
C203	4822 122 30043	10 nF	63	-20 +80
C205	2222 427 44701	470 pF	630	1
C207	4822 121 40232	220 nF	100	10
C208	5322 124 14055	6.8 $\mu$ F	6.3	10
C209	5322 124 14033	10 $\mu$ F	25	10
C210	4822 124 20701	100 $\mu$ F	10	10
C211	5322 124 14058	150 $\mu$ F	6.3	10
C212	4822 122 30043	10 nF	63	-20 +80
C213	4822 124 20711	22 $\mu$ F	40	-10 +50
C214	4822 121 40232	220 nF	100	10
C215	5322 121 40323	100 nF	100	10
C216	5322 121 40323	100 nF	100	10
C217	5322 121 40323	100 nF	100	10
C218	4822 122 31072	47 pF	100	2
C219	4822 122 31072	47 pF	100	2
C220	5322 121 40323	100 nF	100	10
C221	4822 122 30009	1.8 pF	100	$\pm 0.25$ pF
C222	4822 122 30043	10 nF	63	-20 +80
C223	4822 122 30043	10 nF	63	-20 +80
C224	5322 121 40323	100 nF	100	10
C225	4822 122 30043	10 nF	63	-20 +80
C226	5322 125 50051	18 pF	300	2.0 -18 pF
C227	4822 122 30022	22 pF	100	2
C228	4822 122 30022	22 pF	100	2
C229	5322 125 50051	18 pF	300	2.0 -18 pF
C230	4822 122 30043	10 nF	63	-20 +80
C231	4822 122 30043	10 nF	63	-20 +80
C232	5322 121 40323	100 nF	100	10
C233	5322 121 40323	100 nF	100	10
C234	5322 121 40323	100 nF	100	10
C235	5322 121 40323	100 nF	100	10
C236	5322 121 40323	100 nF	100	10
C238	4822 124 20362	22 $\mu$ F	40	-10 +50
C239	4822 124 20362	22 $\mu$ F	40	-10 +50
C240	5322 121 40323	100 nF	100	10
C241	4822 122 30006	10 pF	100	2
C242	4822 122 30006	10 pF	100	2
C243	4822 122 30043	10 nF	63	-20 +80
C301	4822 124 70215	1000 $\mu$ F	63	-10 +30
C302	4822 124 20419	1000 $\mu$ F	25	-10 +50
C303	4822 124 70215	1000 $\mu$ F	63	-10 +30
C304	5322 124 20396	220 $\mu$ F	63	-10 +50
C307	4822 122 30043	10 nF	63	-20 +80
C308	5322 121 40323	100 nF	100	10

No.	Ordering number	Value	Voltage	Tolerance %
C310	5322 121 40323	100 nF	100	10
C311	4822 122 30043	10 nF	63	-20 +80
C313	4822 122 30043	10 nF	63	-20 +80
C314	4822 124 20699	47 $\mu$ F	25	-10 +50

### Resistors

No.	Ordering number	Value ( $\Omega$ )	Tol. (%)	Power (W)
R1	5322 101 24039	5 k	20	
R2	5322 101 24039	5 k	20	
R3	5322 101 24039	5 k	20	
R4	5322 101 24037	50 k	10	
R5	5322 101 24037	50 k	10	
R6	5322 101 24039	5 k	20	
R7	5322 102 34004	2x100	10	
R101	4822 110 63107	1	5	0.33
R102	4822 110 63098	470	5	0.33
R103	4822 110 63121	330 k	5	0.33
R104	4822 110 63101	560	5	0.33
R105	4822 110 63107	1 k	5	0.33
R106	4822 110 60006	390	5	0.33
R107	4822 110 63107	1 k	5	0.33
R108	4822 110 63063	120	5	0.33
R109	4822 110 63116	2.2 k	5	0.33
R110	4822 110 63123	3.90 k	5	0.33
R111	4822 110 63092	270	5	0.33
R112	5322 116 54586	3.57 k	5	0.4
R113	4822 110 63089	220	5	0.33
R114	5322 116 54001	15 k	1	0.4
R115	5322 116 50781	1.82 k	1	0.4
R116	5322 116 54557	1.21 k	1	0.4
R117	5322 116 54011	5.62 k	1	0.4
R118	5322 116 54549	1 k	1	0.4
R119	4822 110 63089	180	5	0.33
R120	4822 110 63081	100	5	0.33
R121	5322 116 54426	120	5	0.33
R122	4822 110 63081	100	5	0.33
R123	4822 110 63081	100	5	0.33
R124	5322 116 54557	1.21 k	1	0.4
R125	5322 116 54567	1.69 k	1	0.4
R126	4822 110 63085	150	5	0.33
R127	4822 110 63141	18 k	5	0.33
R128	5322 116 54557	1.21 k	1	0.4
R129	5322 116 54621	10 k	5	0.33
R130	4822 110 63116	2.20 k	5	0.33
R131	4822 110 60006	390	5	0.33
R132	4822 110 63118	2.70 k	5	0.33
R133	4822 110 63101	560	5	0.33
R134	5322 116 54082	13	1	0.4
R135	4822 110 63058	15	5	0.33

No.	Ordering number	Value ( $\Omega$ )	Tol. (%)	Power (W)
R136	5322 116 54442	51.10	1	0.4
R137	4822 110 63101	560	5	0.33
R138	4822 110 63074	56	5	0.33
R139	4822 110 63101	560	5	0.33
R140	4822 110 63101	560	5	0.33
R141	4822 110 63074	56	5	0.33
R142	4822 110 63101	560	5	0.33
R143	5322 116 54439	35.70	1	0.4
R144	5322 116 54481	130	1	0.4
R145	4822 110 63101	560	5	0.33
R146	4822 116 51223	221	1	0.4
R147	4822 110 63107	1 k	5	0.33
R148	5322 116 54564	1.50 k	1	0.4
R149	4822 110 63089	220	5	0.33
R150	4822 110 63081	100	5	0.33
R151	4822 110 63081	100	5	0.33
R152	5322 116 54001	15.00 k	1	0.4
R153	4822 110 63054	10	5	0.33
R154	5322 116 54554	1.10 k	1	0.4
R155	5322 116 54748	1.2 k	5	1.6
R156	4822 110 63074	56	5	0.33
R157	4822 110 63101	560	5	0.33
R158	4822 110 63101	560	5	0.33
R159	4822 110 63074	56	5	0.33
R160	4822 110 63112	1.5 k	5	0.33
R161	4822 110 63101	560	5	0.33
R162	4822 110 63101	560	5	0.33
R163	5322 116 51048	20	1	0.4
R164	5322 116 54435	24.30	1	0.4
R165	4822 110 63101	560	5	0.33
R166	4822 110 63101	560	5	0.33
R167	5322 116 54474	110	1	0.4
R168	4822 116 51223	221	1	0.4
R169	4822 110 63107	1 k	5	0.33
R170	5322 116 54564	1.50 k	1	0.4
R171	4822 110 63089	220	5	0.33
R172	4822 110 63081	100	5	0.33
R173	4822 110 63081	100	5	0.33
R174	5322 116 54001	15 k	1	0.4
R175	4822 110 63054	10	5	0.33
R176	5322 116 54554	1.10 k	1	0.4
R177	5322 116 54748	1.20 k	5	1.6
R178	4822 110 63101	560	5	0.33
R179	5322 116 54013	6.81	1	0.4
R180	4822 110 63112	1.5 k	5	0.33
R181	5322 116 50757	51.10	1	0.4
R182	4822 110 63101	560	5	0.33
R183	5322 116 54595	5.11 k	1	0.4
R184	4822 110 63027	1	5	0.33
R185	4822 110 63027	1	5	0.33
R186	4822 110 63054	10	5	0.33
R187	4822 110 63054	10	5	0.33
R188	4822 110 63101	560	5	0.33
R189	4822 110 63087	180	5	0.33

No.	Ordering number	Value ( $\Omega$ )	Tol. (%)	Power (W)
R190	4822 110 63101	560	5	0.33
R191	4822 110 63098	470	5	0.33
R192	5322 116 50519	43.20	1	0.4
R193	4822 110 63089	220	5	0.33
R194	5322 116 50527	33.20	1	0.4
R195	4822 110 63072	47	5	0.33
R196	4822 110 63072	47	5	0.33
R198	4822 110 63116	2.2 k	5	0.33
R199	5322 116 50522	13 k	1	0.4
R201	4822 110 63101	560	5	0.33
R202	4822 110 63054	10	5	0.33
R203	4822 110 63101	560	5	0.33
R204	4822 110 53103	680	5	0.5
R205	4822 110 63089	220	5	0.33
R206	4822 110 63087	180	5	0.33
R207	4822 110 53103	680	5	0.5
R208	4822 110 63054	10	5	0.33
R209	4822 110 63072	47	5	0.33
R210	4822 110 63072	47	5	0.33
R211	4822 110 53114	1.8 k	5	0.5
R212	5322 116 54401	390	5	1.6
R213	5322 116 54402	470	5	1.6
R214	4822 110 63072	47	5	0.33
R215	4822 110 63072	47	5	0.33
R216	4822 110 53114	1.8 k	5	0.5
R217	5322 116 58688	82 k	5	0.33
R218	4822 110 63081	100	5	0.33
R219	5322 116 54402	470	5	1.6
R220	5322 116 54909	1 k	5	1.6
R221	5322 116 54402	470	5	1.6
R222	4822 110 63081	100	5	0.33
R223	5322 116 50417	162	1	0.5
R224	5322 116 50293	1.50 k	1	0.5
R225	5322 116 54784	200	1	0.5
R226	5322 101 14051	220	20	0.5
R227	5322 116 54409	2.21 k	1	0.5
R228	5322 116 50646	221	1	0.5
R229	5322 116 54398	680	5	1.6
R230	5322 116 54064	2 k	1	0.4
R231	5322 116 54171	2.21 k	1	0.4
R232	5322 116 50974	68	5	0.33
R233	5322 116 54398	680	5	1.6
R234	4822 110 63081	100	5	0.33
R235	5322 116 54398	680	5	1.6
R236	4822 110 63054	10	5	0.33
R237	4822 110 63054	10	5	0.33
R238	5322 116 50974	432	1	0.4
R239	4822 110 63081	100	5	0.33
R240	4822 110 63081	100	5	0.33
R241	4822 110 63081	100	5	0.33
R242	4822 110 63081	100	5	0.33
R243	5322 116 54399	39.20	1	0.5
R244	5322 116 54404	43.20	1	0.5
R245	4822 111 30067	33	5	0.2

No.	Ordering number	Value ( $\Omega$ )	Tol. (%)	Power (W)
R246	4822 111 30067	33	5	0.2
R247	5322 116 54594	4.32 k	1	0.4
R248	5322 116 54399	39.20	1	0.5
R249	5322 116 54404	43.20	1	0.5
R250	5322 116 54069	12	5	0.33
R251	4822 110 63061	18	5	0.33
R252	5322 116 50572	33	5	0.2
R253	5322 116 54572	33	5	0.2
R254	4822 111 30067	120	5	0.5
R255	4822 110 63054	330	5	1.6
R256	4822 110 63054	330	5	1.6
R257	4822 110 63107	120	5	0.5
R258	5322 101 14049	470	20	0.5
R259	4822 110 53107	1 k	5	0.5
R260	4822 110 53107	1 k	5	0.5
R261	5322 101 14049	470	20	0.5
R262	5322 116 54392	100	5	1.6
R263	5322 116 54392	100	5	1.6
R264	5322 116 54392	100	5	1.6
R265	5322 116 54396	68	5	1.6
R266	5322 116 54392	100	5	1.6
R267	5322 116 54392	100	5	1.6
R268	5322 116 54397	56	5	1.6
R269	5322 116 54392	100	5	1.6
R270	5322 116 50636	2.70 k	5	0.33
R271	5322 116 54568	1.80 k	5	0.33
R272	5322 116 54392	100	5	2.5
R273	5322 116 54392	100	5	2.5
R274	5322 116 54462	82.50	1	0.4
R275	5322 116 54462	82.50	1	0.4
R276	5322 116 50974	432	1	0.5
R277	5322 116 50974	432	1	0.5
R278	5322 116 54064	2 k	1	0.4
R279	5322 116 50572	12.10 k	1	0.4
R280	4822 110 53107	1 k	5	0.5
R281	4822 110 63081	100	5	0.33
R282	5322 116 50974	432	1	0.4
R283	5322 111 30383	68	5	0.2
R284	5322 111 30383	68	5	0.2
R301	4822 110 63081	100	5	0.33
R302	4822 110 63114	1.80 k	5	0.33
R303	4822 110 63134	10 k	5	0.33
R304	4822 110 63127	5.60 k	5	0.33
R305	4822 110 63127	5.60 k	5	0.33
R306	4822 110 63089	220	5	0.33
R307	4822 110 63089	220	5	0.33
R308	5322 113 44131	1.60	10	4
R309	5322 113 60082	0.62 k	10	4
R310	5322 113 44131	1.60	10	4
R311	4822 110 63121	3.30 k	5	0.33
R312	5322 116 50979	8.25	1	0.4
R313	5322 101 14047	470	20	0.5
R314	5322 116 54171	2.21 k	1	0.4
R315	5322 116 54191	30.10 k	1	0.4

No.	Ordering number	Value ( $\Omega$ )	Tol. (%)	Power (W)
R316	5322 116 51056	11 k	1	0.4
R317	5322 116 54148	9.09 k	1	0.4
R318	5322 116 54148	9.09 k	1	0.4
R319	4822 110 63089	220	5	0.33
R401	5322 116 54697	100 k	5	0.33
R402	5322 116 54688	82 k	5	0.33
R501	4822 110 63061	18	5	0.33
R502	5322 100 10118	22 k	20	0.5
R503	4822 116 51233	681	1	0.4
R504	4822 116 40007	50	+ - 15 $\Omega$	PTC

### Transistors

No.	Type	Ordering number	No.	Type	Ordering number
TS101	BFX 89	5322 130 40542	TS204	PN 4258	5322 130 44215
TS102	BFX 89	5322 130 40542	TS205	BFW 30	5322 130 40379
TS103	BFX 89	5322 130 40542	TS206	BFW 30	5322 130 40379
TS104	PN 4258	5322 130 44215	TS207	BSX 20	5322 130 40407
TS105	BFX 89	5322 130 40542	TS208	PN 4258	5322 130 44215
TS106	BSX 20	5322 130 40407	TS209	PN 4258	5322 130 44215
TS107	PN 4258	5322 130 44215	TS210	BSX 20	5322 130 40407
TS108	BFX 89	5322 130 40542	TS211	BSX 20	5322 130 40407
TS109	BSX 20	5322 130 40407	TS212	BFW 16A	5322 130 44015
TS110	BC 177	4822 130 40522	TS213	PN 4258	5322 130 44215
TS111	PN 4258	5322 130 44215	TS214	BFW 16A	5322 130 44015
TS112	PN 4258	5322 130 44215	TS215	BFW 16A	5322 130 44015
TS113	PN 4258	5322 130 44215	TS216	2N 5160	5322 130 44136
TS114	PN 4258	5322 130 44215	TS217	2N 5160	5322 130 44136
TS115	PN 4258	5322 130 44215	TS218	BFW 16A	5322 130 44015
TS116	BFX 89	5322 130 40542	TS219	BFW 16A	5322 130 44015
TS117	BFX 89	5322 130 40542	TS220	PN 4258	5322 130 44215
TS118	BC 177	4822 130 40522	TS221	PN 4258	5322 130 44215
TS119	BFX 89	5322 130 40542	TS222	PN 4258	5322 130 44215
TS120	PN 4258	5322 130 44215	TS223	PN 4258	5322 130 44215
TS121	PN 4258	5322 130 44215	TS224	2N 2905	5322 130 40468
TS122	PN 4258	5322 130 44215	TS225	2N 2219	5322 130 40496
TS123	PN 4258	5322 130 44215	TS226	BD 131	5322 130 40752
TS124	BFX 89	5322 130 40542	TS227	BD 132	5322 130 40753
TS125	BFX 89	5322 130 40542	TS228	BC 109C	5322 130 40144
TS126	BC 177	4822 130 40522	TS229	BC 177	4822 130 40522
TS127	BFX 89	5322 130 40542	TS301	2N 2219	5322 130 40496
TS128	PN 4258	5322 130 44215	TS302	BD 207W	5322 130 44213
TS129	PN 4258	5322 130 44215	TS303	BD 433	5322 130 44507
TS130	PN 4258	5322 130 44215	TS304	BD 207W	5322 130 44213
TS131	PN 4258	5322 130 44215	TS305	BC 107B	5322 130 40332
TS201	BSX 20	5322 130 40407	TS306	BC 107B	5322 130 40332
TS202	BSX 20	5322 130 40407	TS307	BC 107B	5322 130 40332
TS203	PN 4258	5322 130 44215			



**Intergrated circuits**

<b>No.</b>	<b>Ordering number</b>	<b>Type</b>
IC101	5322 209 80964	95105DC
IC102	5322 209 80964	95105DC
IC103	5322 209 80964	95105DC
IC301	5322 209 84342	741C
IC302	5322 209 84342	741C
IC303	5322 209 84342	741C

**Diodes**

<b>No</b>	<b>Type</b>	<b>Ordering number</b>
GR101	HSCH 1001	5322 130 34877
GR102	HSCH 1001	5322 130 34877
GR103	BAW 62/75	4822 130 30613
GR104	BAW 62/75	4822 130 30613
GR105	BAW 62/75	4822 130 30613
GR106	BA 220/10	5322 130 34221
GR107	BA 220/10	5322 130 34221
GR108	BAW 62/75	4822 130 30613
GR109	FD 777/15	5322 130 34045
GR110	BAW 62/75	4822 130 30613
GR111	BAW 62/75	4822 130 30613
GR112	FD 777/15	5322 130 34045
GR113	BAW 62/75	4822 130 30613
GR114	FD 777/15	5322 130 34045
GR115	BAW 62/75	4822 130 30613
GR116	BAW 62/75	4822 130 30613
GR201	BZX 79/C12	5322 130 34069
GR202	FD 777/15	5322 130 34045
GR203	FD 777/15	5322 130 34045
GR204	BZX 79/C12	5322 130 34069
GR205	BZX 79/C12	5322 130 34069
GR206	BZX 79/C7V5	5322 130 30666
GR207	BZX 79/C12	5322 130 34069
GR208	BZX 79/C4V7	5322 130 30773
GR209	BZX 79/C4V7	5322 130 30773
GR301	SKB2/04L5A	4822 130 31638
GR302	SKB2/04L5A	4822 130 31638
GR303	SKB2/04L5A	4822 130 31638
GR304	BZX 79/C5V1	5322 130 30767
GR305	BZX 79/C5V1	5322 130 30767
GR306	BYX 10/800	5322 130 30195

**Inductances**

<b>No</b>	<b>Ordering number</b>	<b>Type</b>
L1	5322 526 14007	FXF Tube
L2	5322 526 14007	FXF Tube
L101	5322 158 10052	HF Choke
L102	5322 158 10052	HF Choke
L103	5322 526 10025	FXC Tube
L105	5322 526 10025	FXC Tube
L106	5322 526 10025	FXC Tube
L107	5322 526 10025	FXC Tube
L108	5322 526 10025	FXC Tube
L109	5322 526 10025	FXC Tube
L110	5322 526 10025	FXC Tube
L111	5322 526 10025	FXC Tube
L112	5322 526 10025	FXC Tube
L113	5322 526 10025	FXC Tube
L114	5322 526 10025	FXC Tube
L115	5322 526 10025	FXC Tube
L201	5322 158 14052	Choke
L202	5322 526 10025	FXC Tube
L203	5322 526 10025	FXC Tube
L204	5322 526 10025	FXC Tube
L205	5322 526 10025	FXC Tube
L206	5322 526 10025	FXC Tube
L301	5322 526 10025	FXC Tube

## 12. Test conditions, circuit diagrams, printed wiring boards and wiring diagrams

### TEST CONDITIONS

#### Test instruments used

##### Waveforms

Philips sampling oscilloscope PM 3400  
Passive probe PM 9343, 100x attenuation

##### Voltage measurements

Multimeter 40.000  $\Omega$  /V PHILIPS PM 2411

Except for the waveform recorded at test point TP102, the following test conditions apply:

- The CAL/TRIGG OUT output of the PM 3400 connected to the TRIGG/GATE input of the PM 5712
- The controls of the PM 5712 set as follows:
 

REPETITION TIME	EXT
DELAY	approx. 80ns
DURATION	approx. 40ns
mode	DOUBLE
AMPLITUDE	5V
- The controls of the PM 3400 set as follows:
 

TIME/cm	20ns
mV/cm	10

In test point TP102 two oscillograms were recorded to show the amplitude decrease at increased repetition frequency.

The SYNC. OUT output of the PM 5712 was used to trigger the PM 3400.

The REPETITION TIME switch was set to 100ns and the VERNIER set to the both extreme positions (approx. 90ns and 1.2 $\mu$ s).

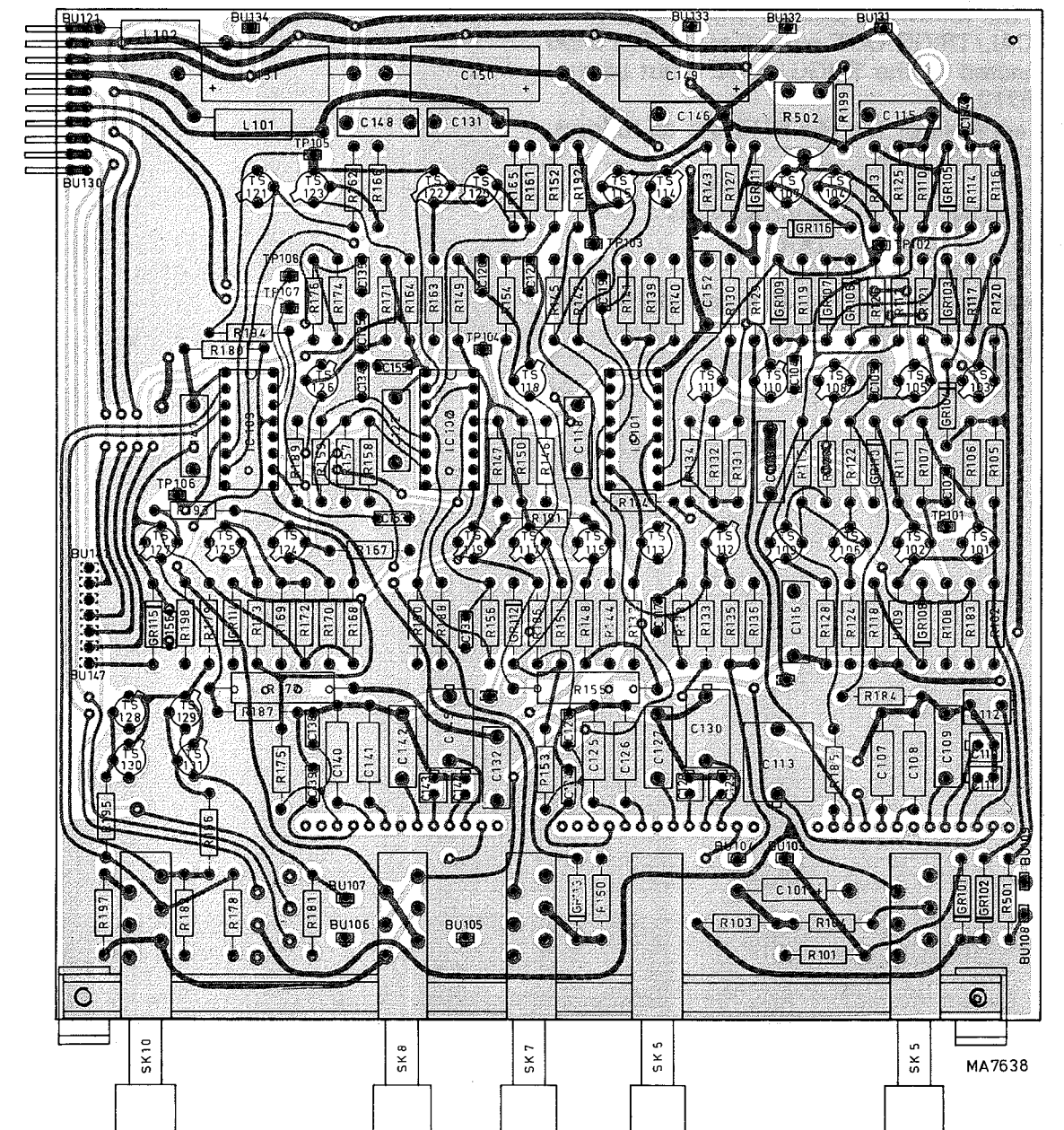
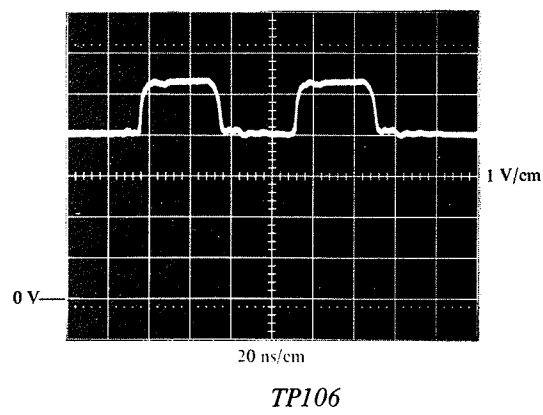
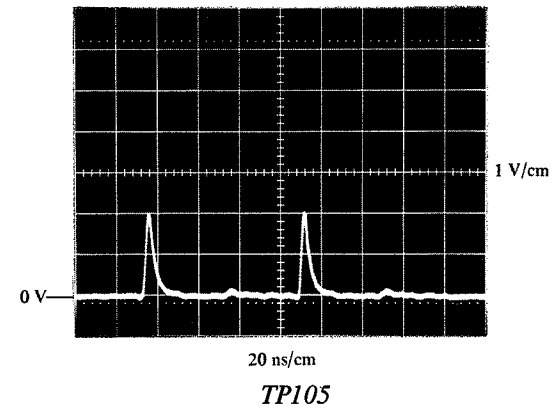
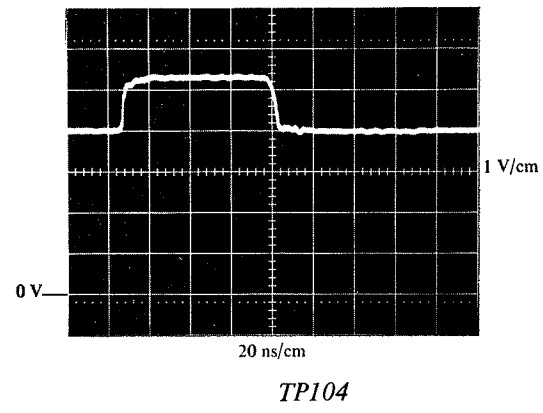
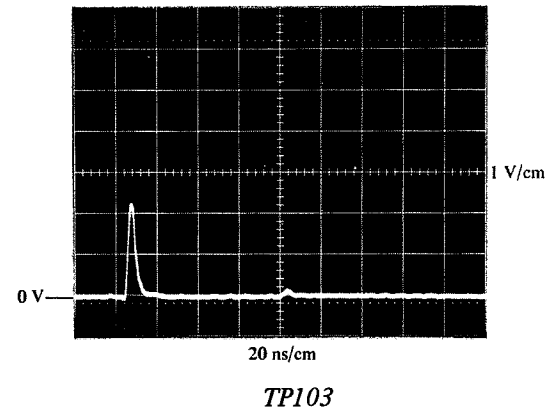
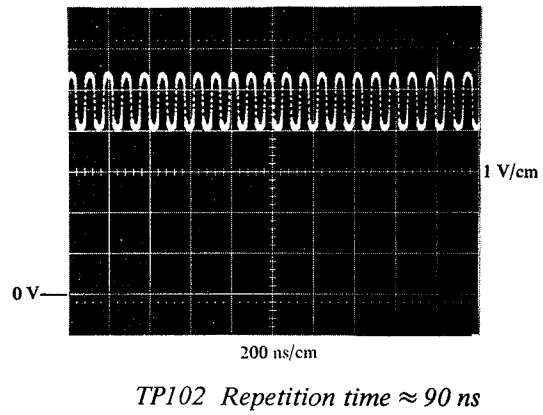
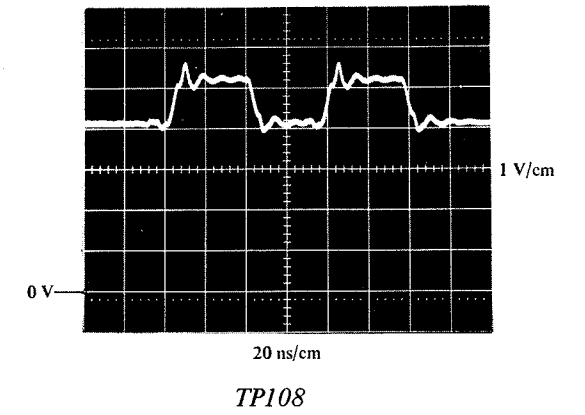
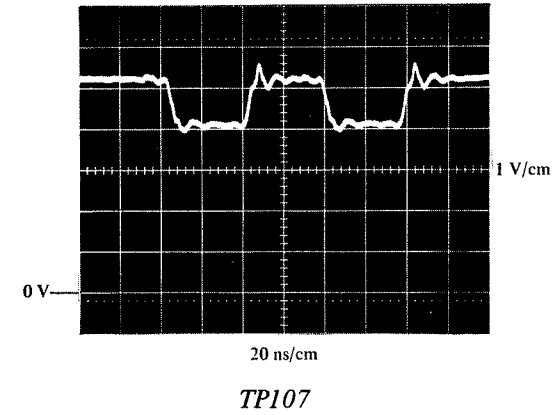
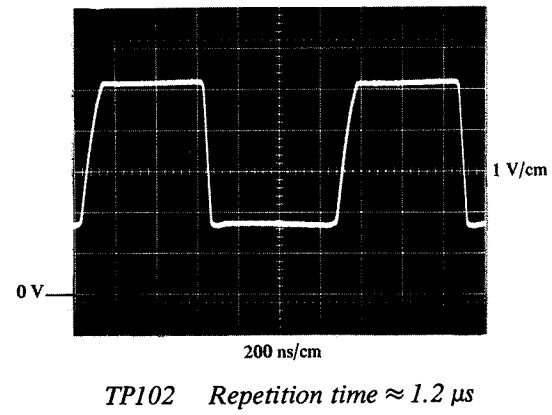
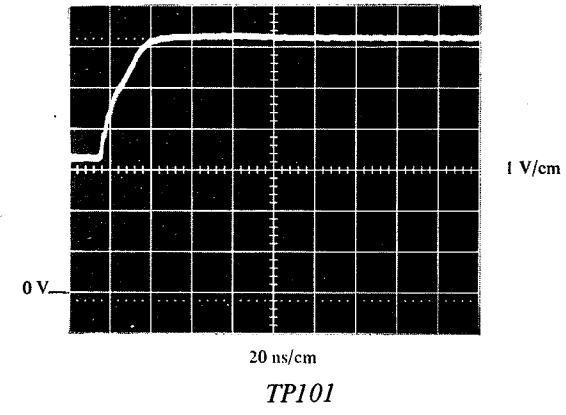
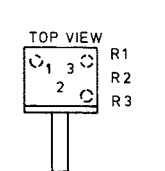
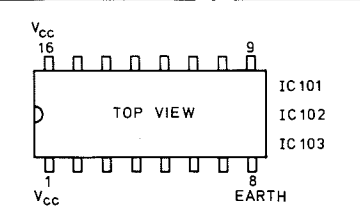
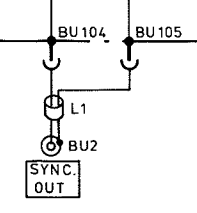
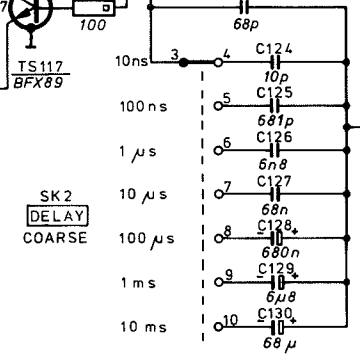
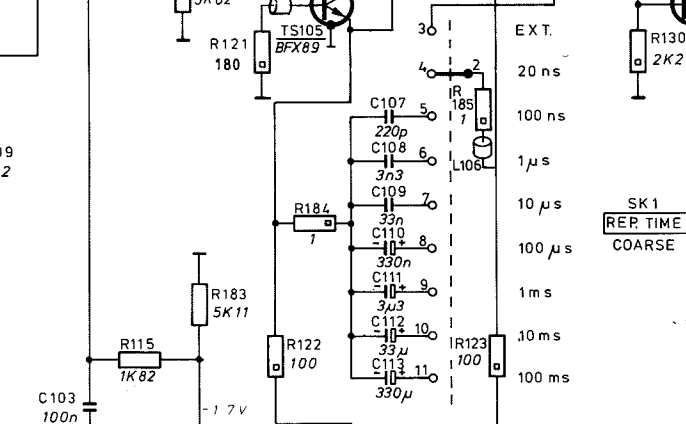
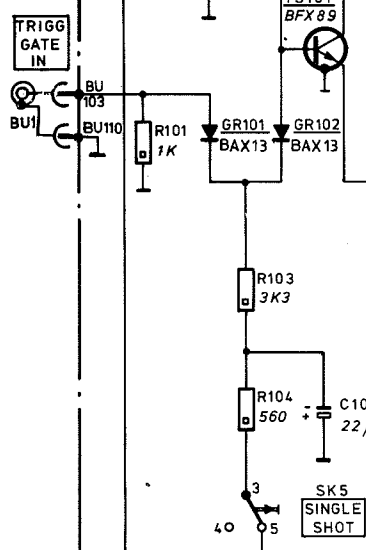
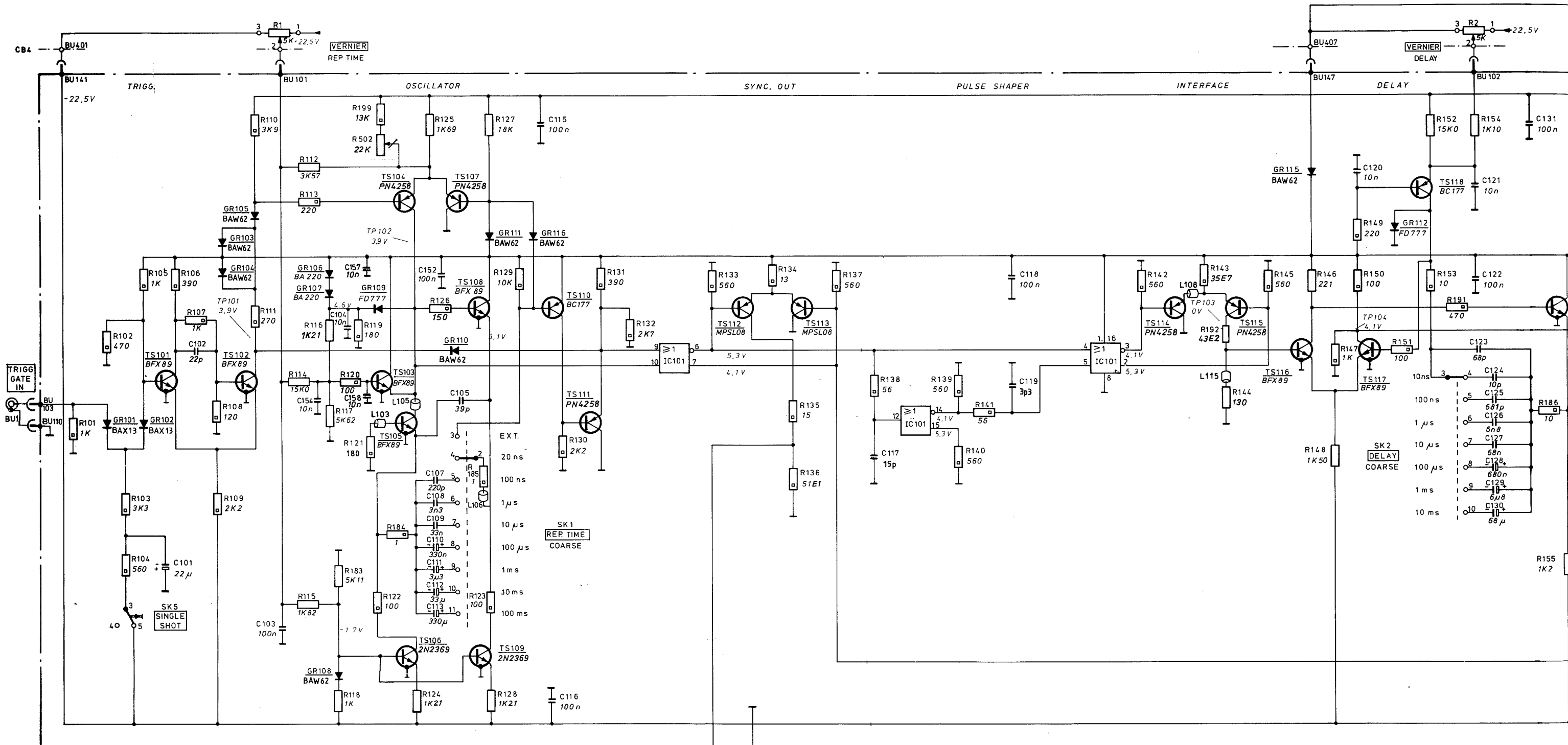


Fig. 12-1. Circuit board, timing circuit (versions -101 -102)



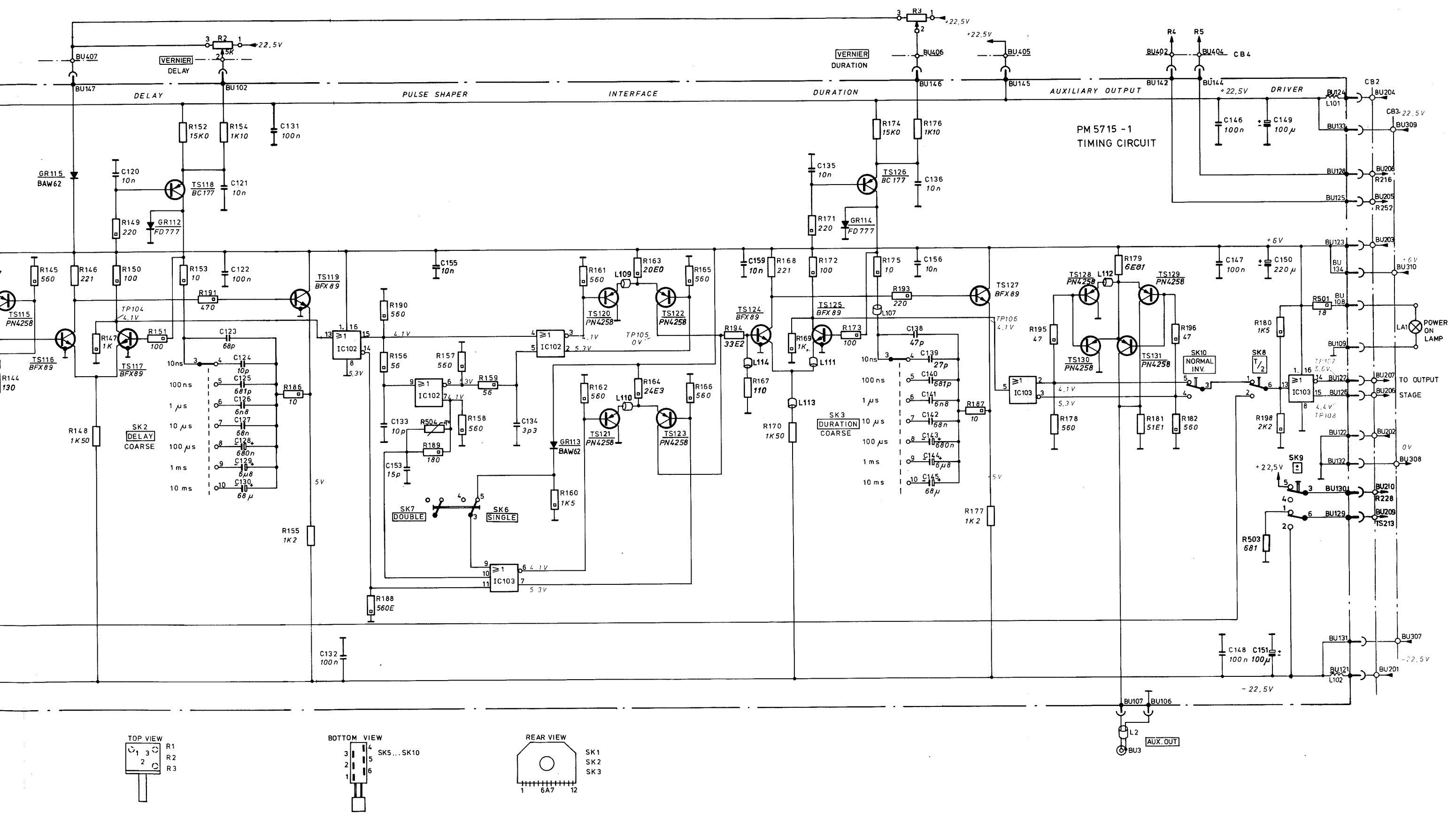


Fig. 12-2. Circuit diagram, timing circuit (versions -101 -102)

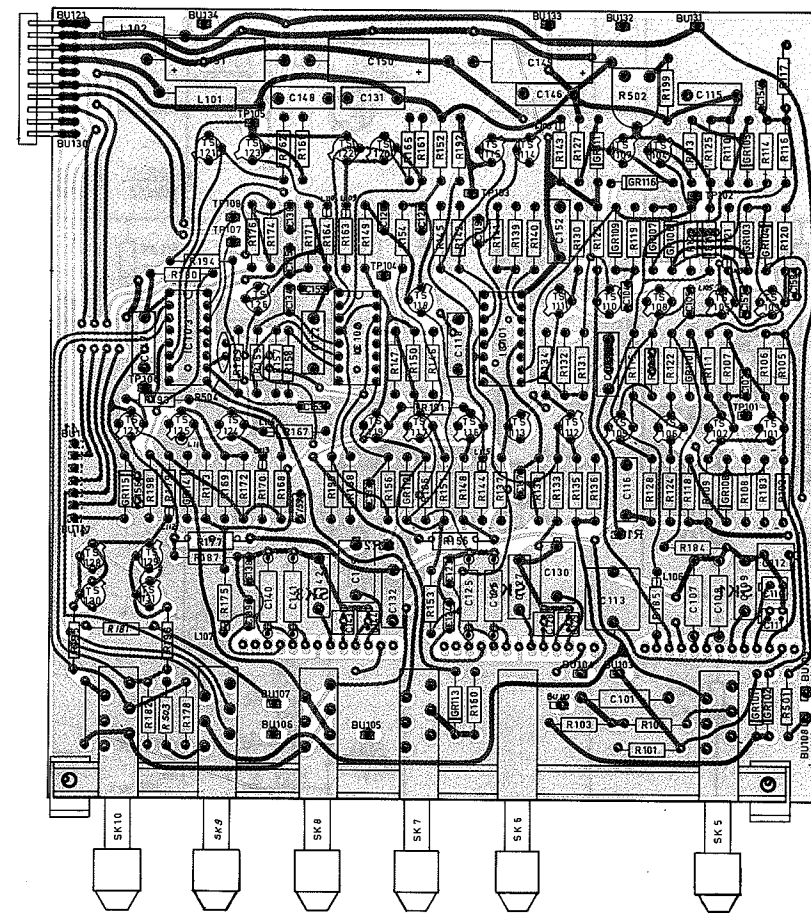
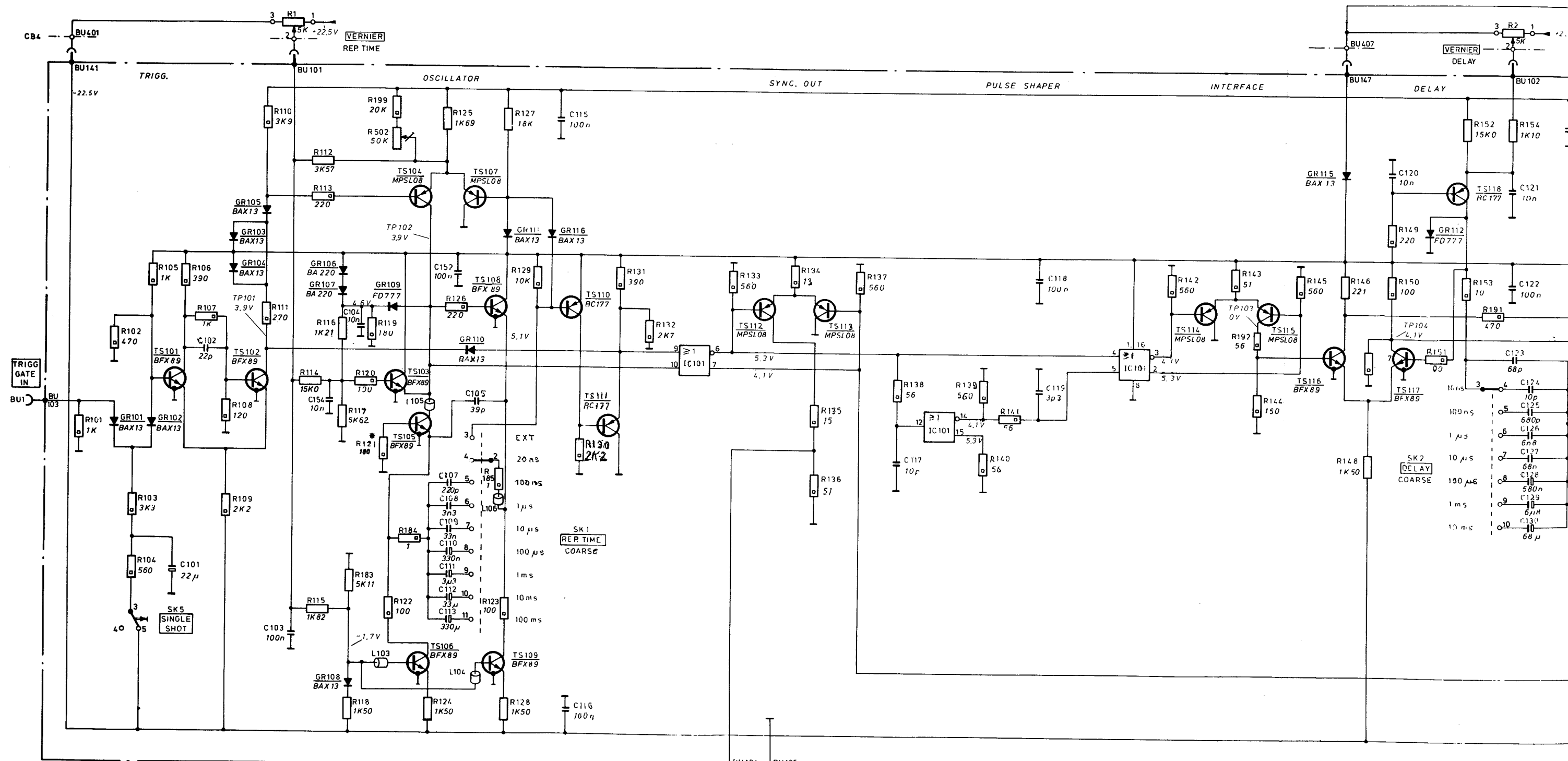
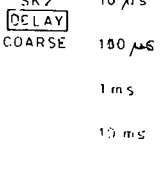
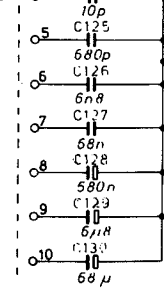
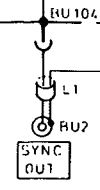
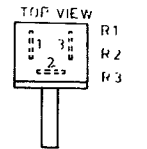
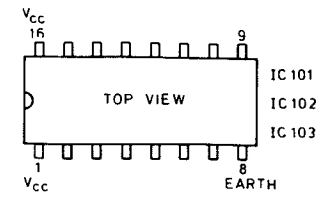


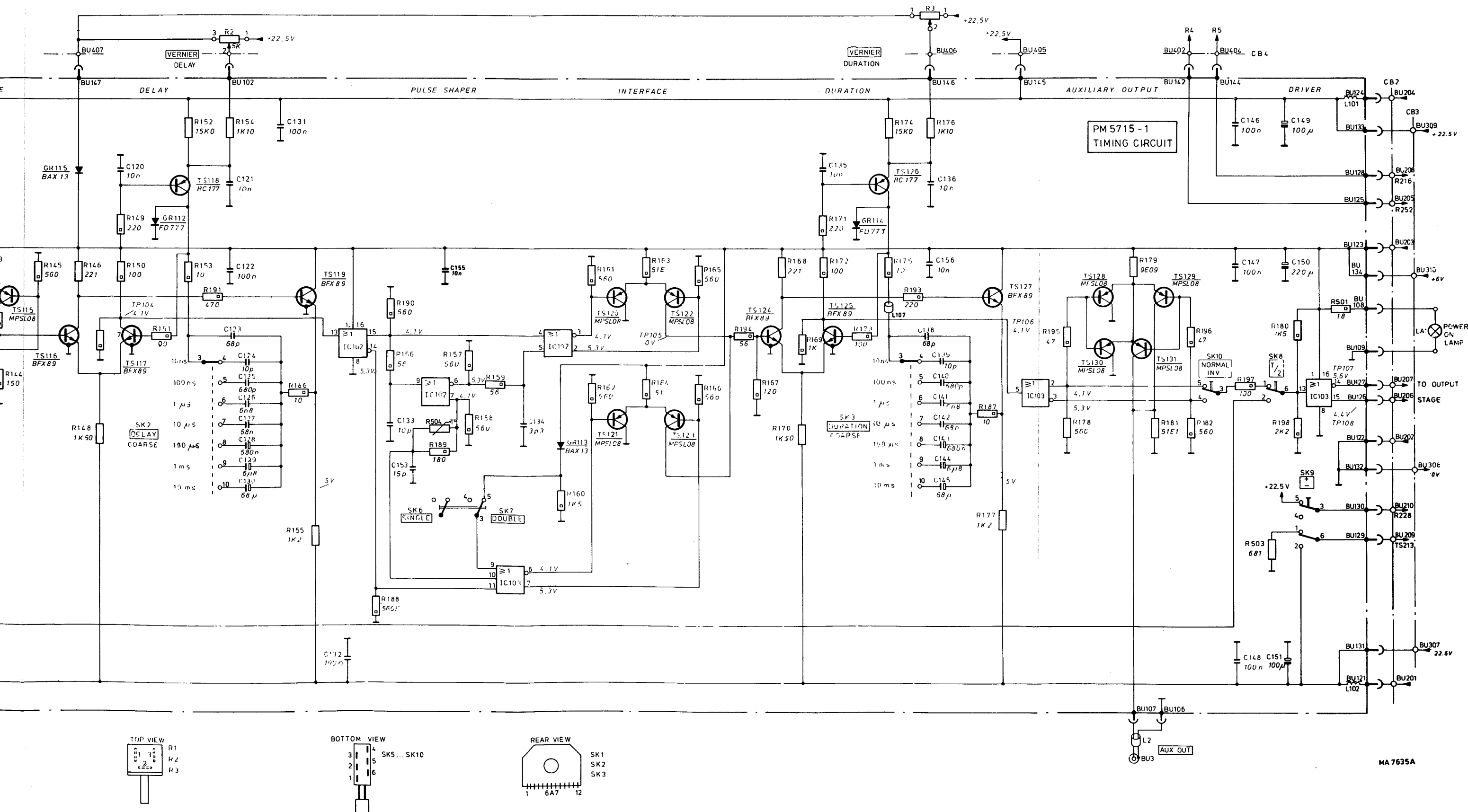
Fig. 12-3. Circuit board, timing circuit (from version -103)



\* R121 180Ω -/01  
150Ω -/02

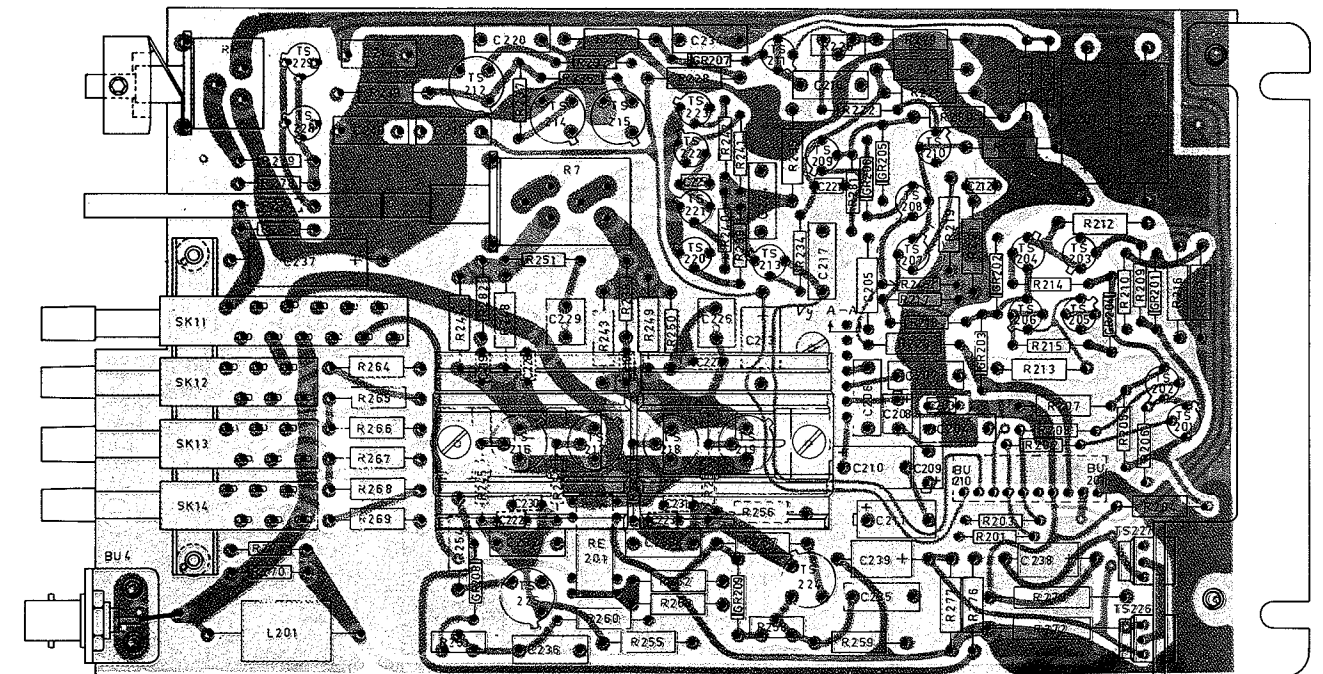






MA 7635A

Fig. 12-4. Circuit diagram, timing circuit (from version -/03)



MA7637

Fig. 12-5. Circuit board, output circuit (versions -101 -102)



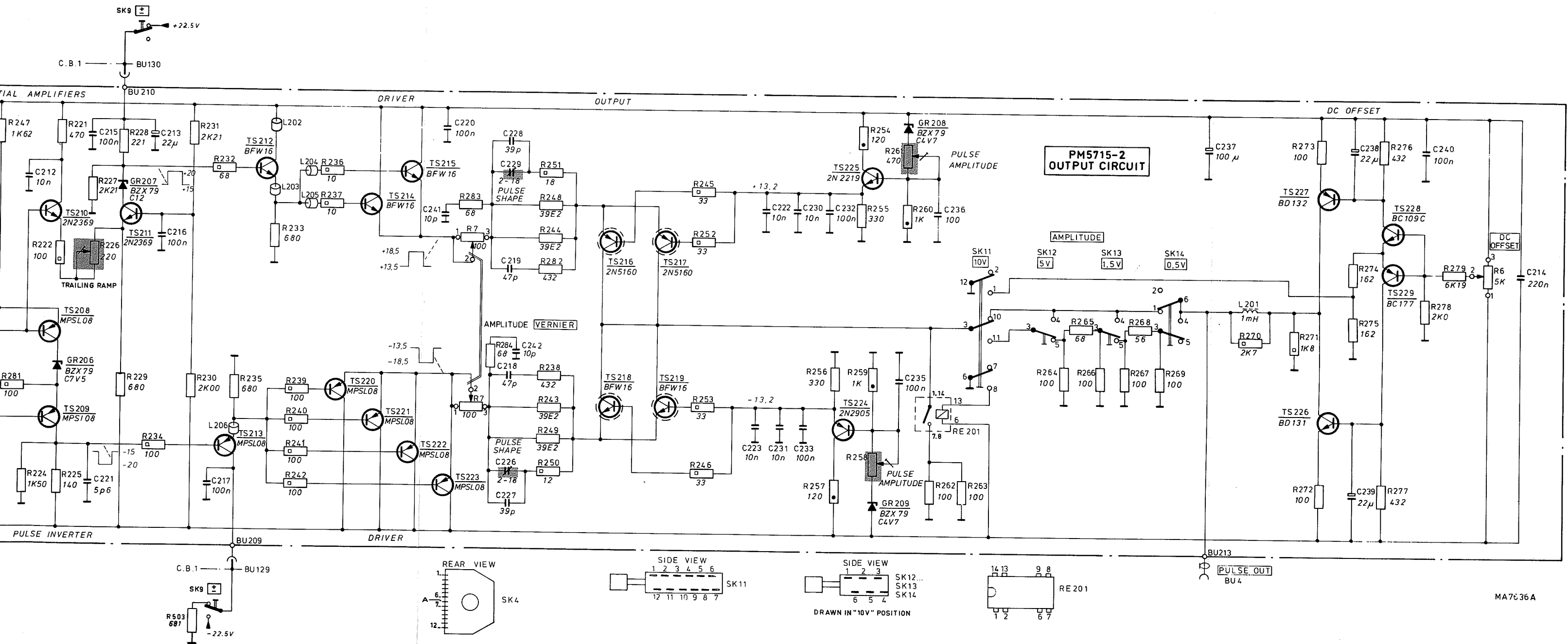


Fig. 12-6. Circuit diagram, output circuit

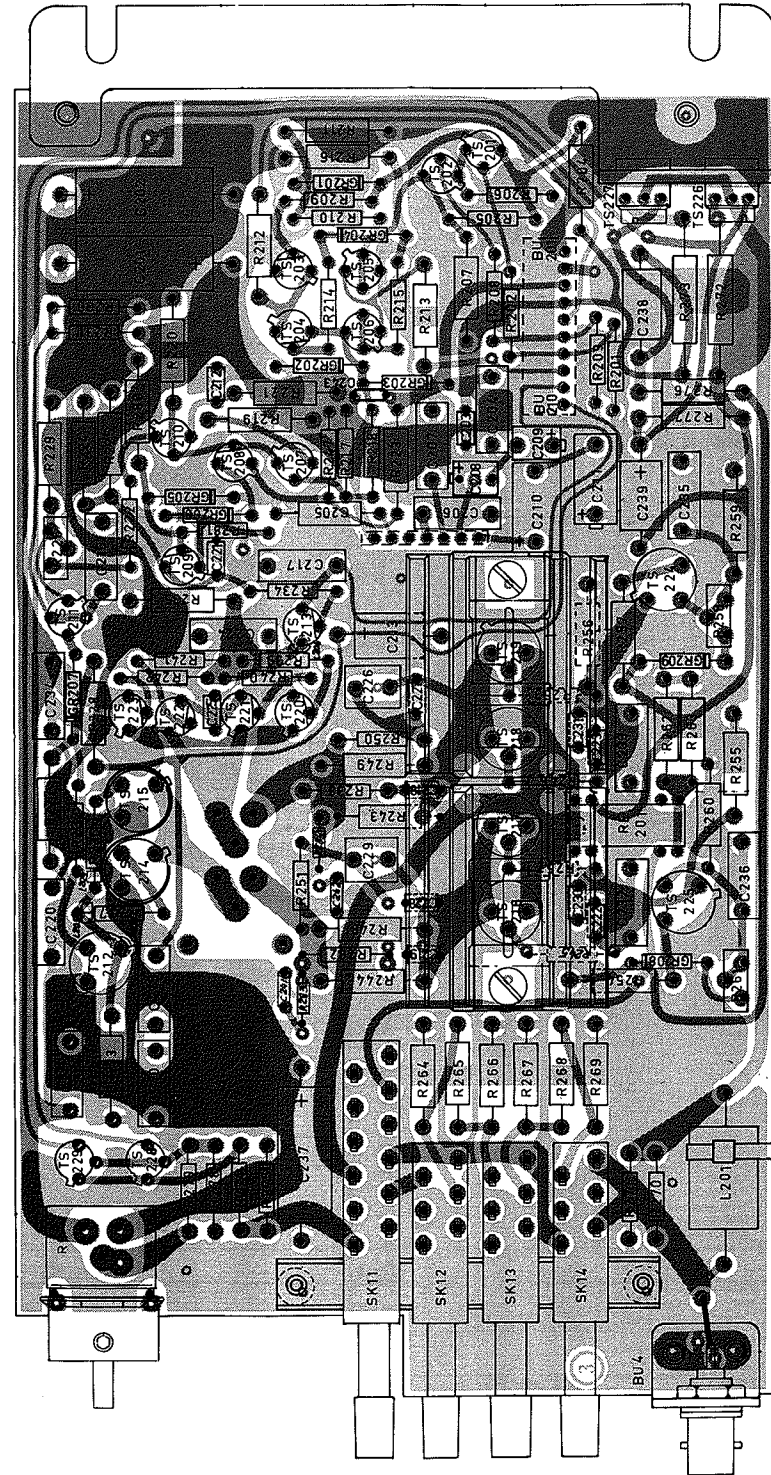
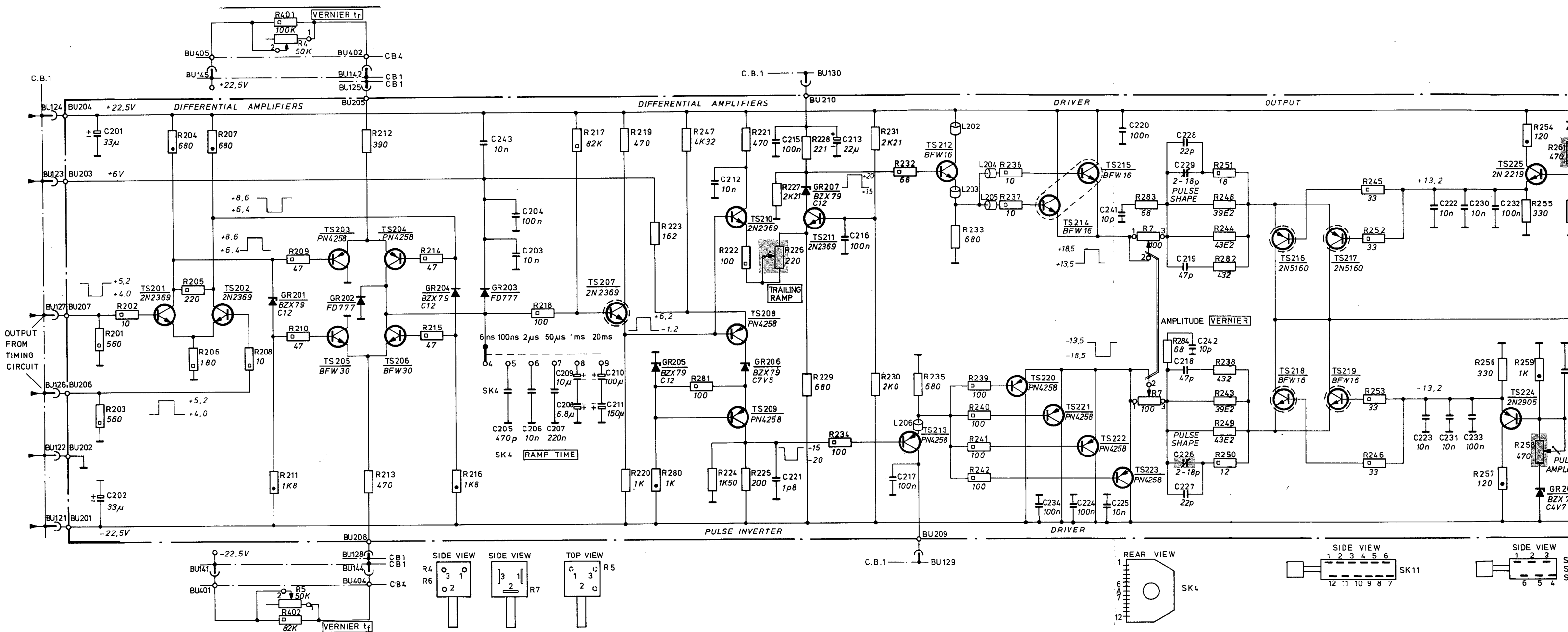


Fig. 12-7. Circuit board, output circuit (from version - 103)



C.B.1

BU124

BU204

+22.5V

BU123

BU203

+6V

BU127

BU207

BU126

BU206

BU122

BU202

BU121

BU201

-22.5V

BU141

BU401

BU142

BU125

BU402

BU208

BU128

BU144

BU404

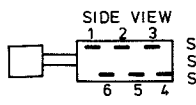
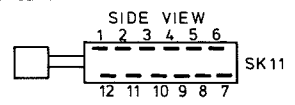
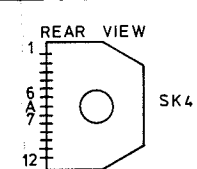
BU209

BU129

C.B.1

BU130

BU210



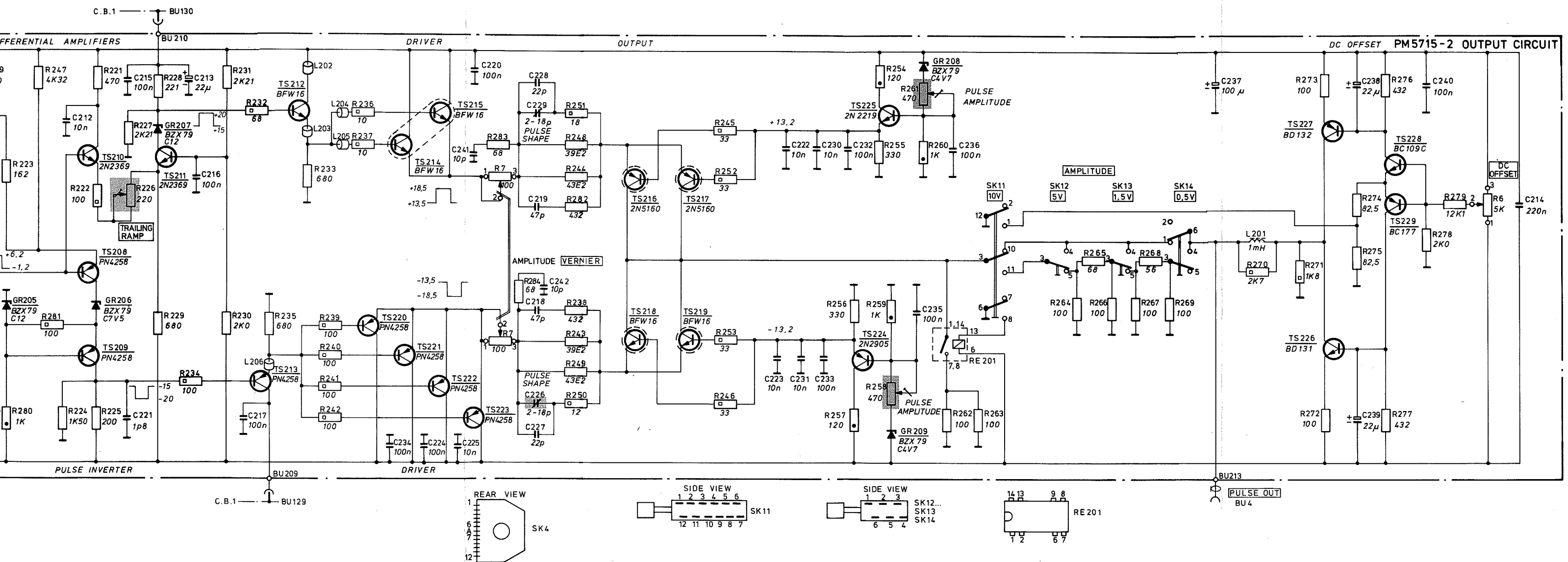


Fig. 12-8. Circuit diagram, output circuit (from version - 103)

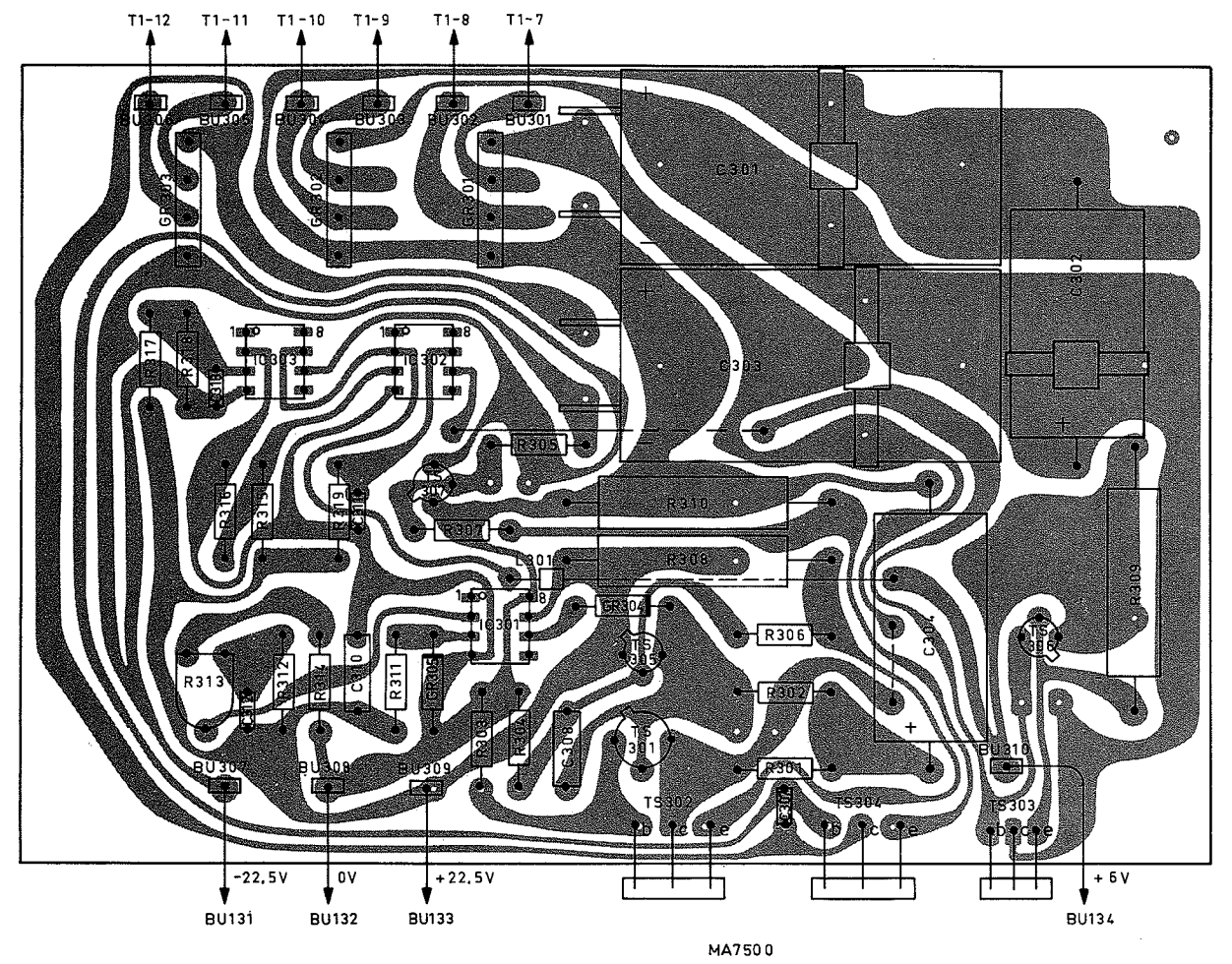
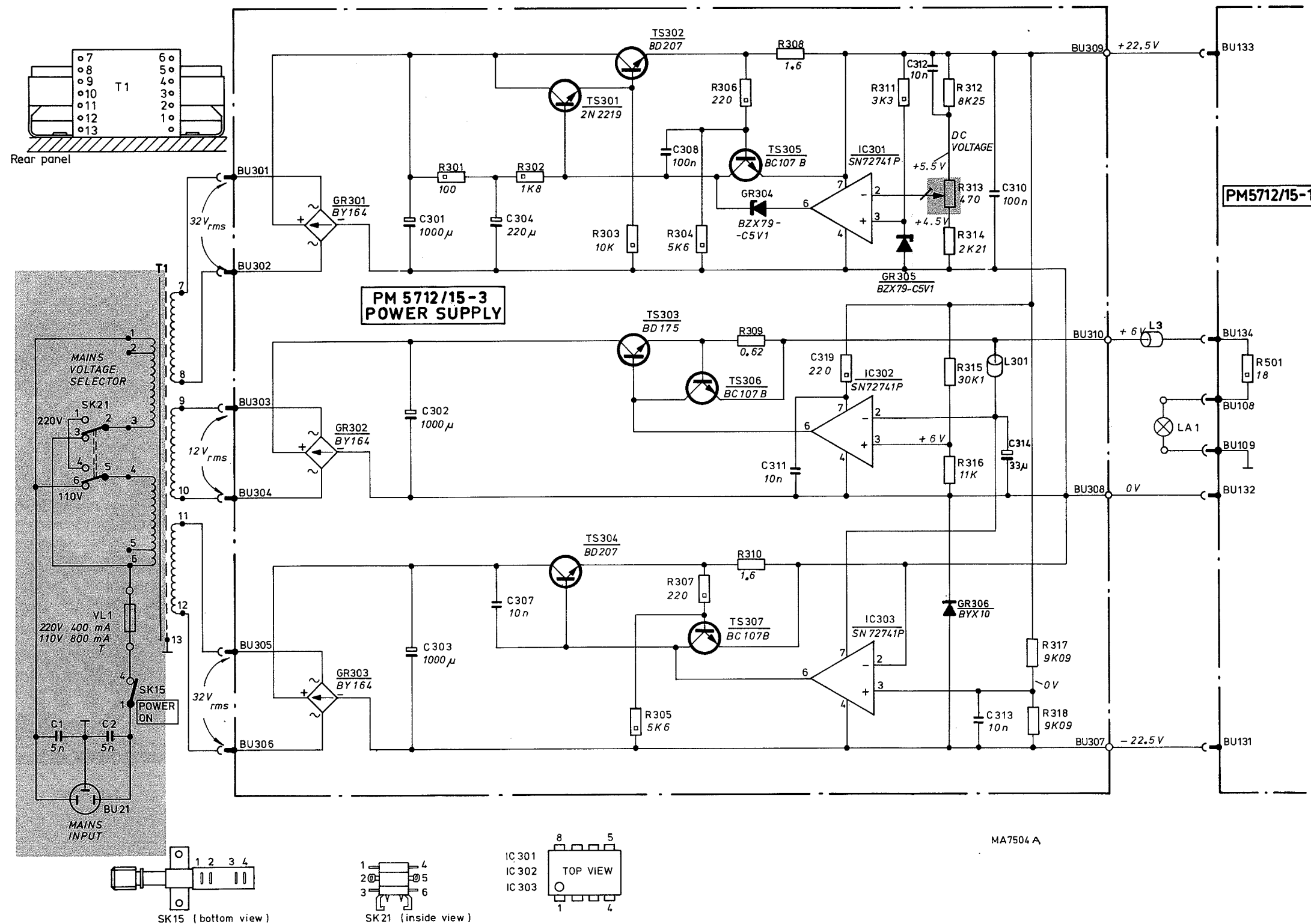


Fig. 12-9. Circuit board, power supply (versions -/01 -/02)



For detailed description of primary side of mains transformer, please refer to chapter 10.  
 For detailed description of primary side of mains transformer, please refer to chapter 10.



MA7504 A

Fig. 12-10. Circuit diagram, power supply (versions -/01,-/02)



For detailed description of primary side of mains transformer, please refer to chapter 10.

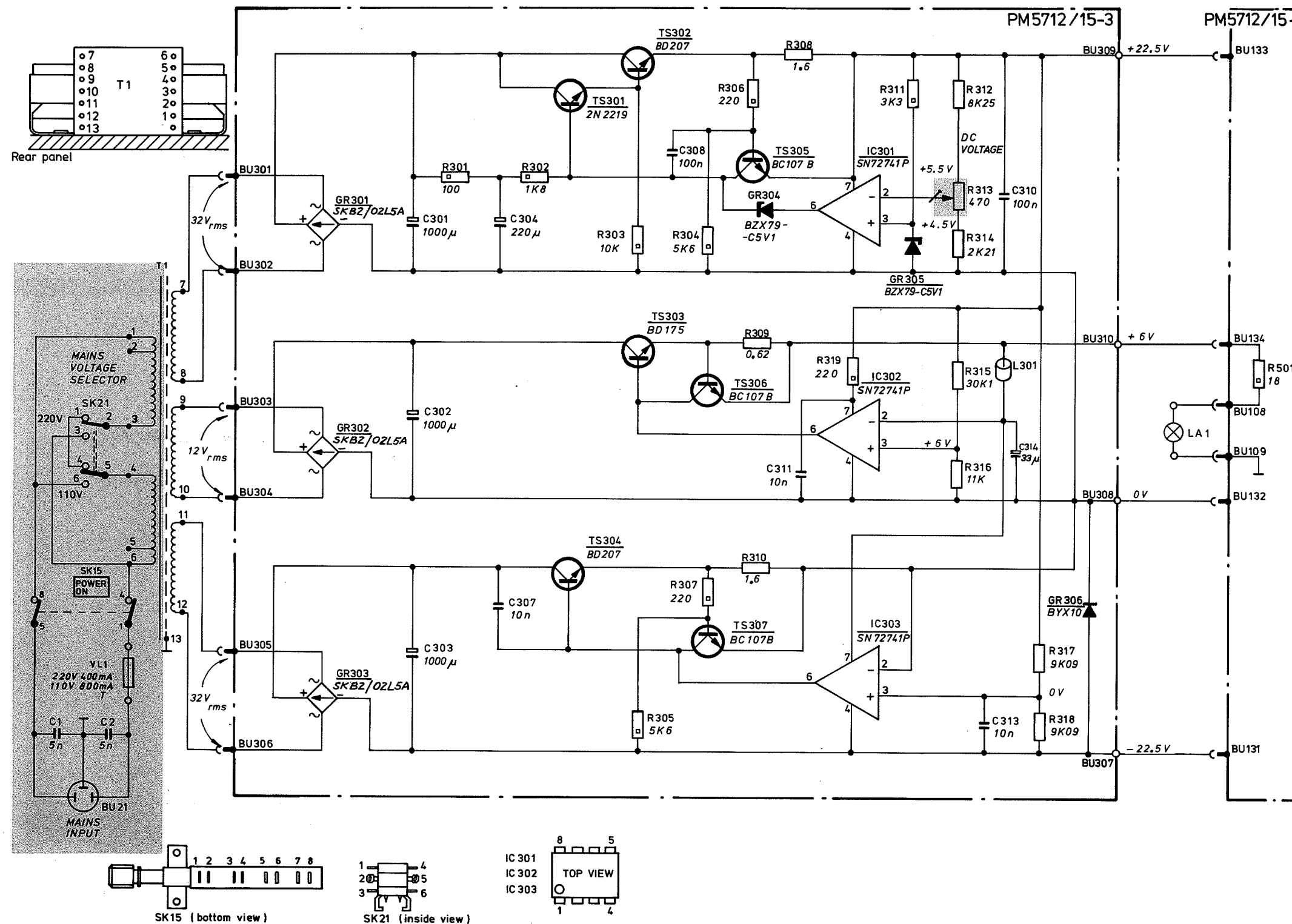


Fig. 12-12. Circuit diagram, power supply (from version -103)

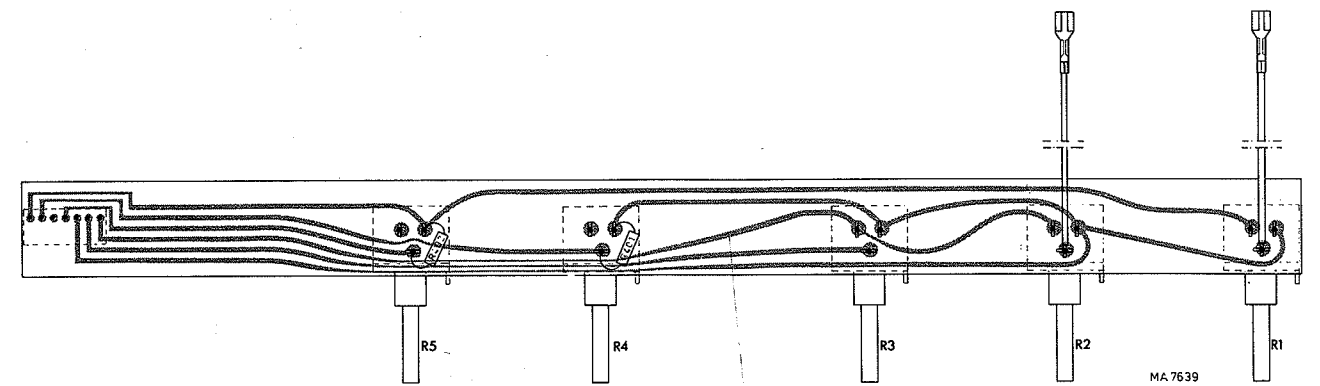


Fig 12-13. Wiring diagram for R1...R5 (versions -/01, -/02)

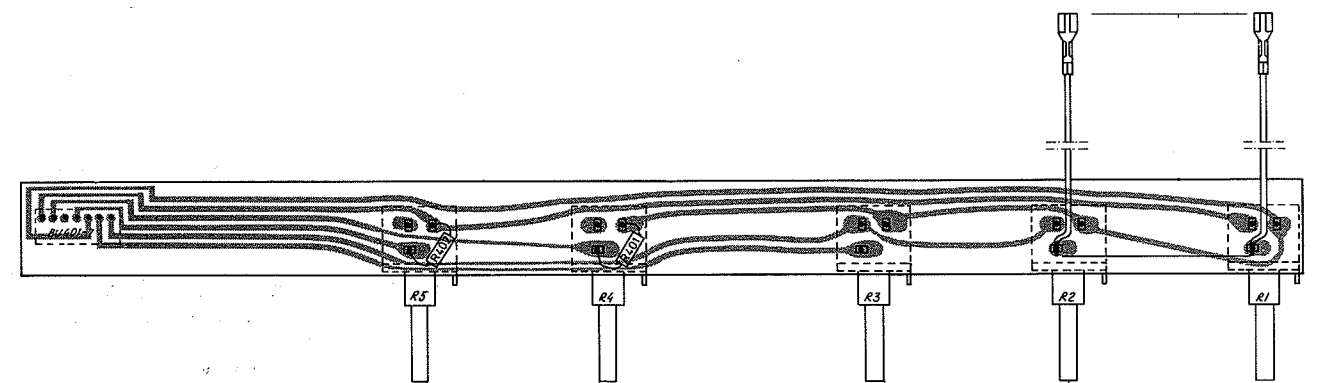


Fig. 12-14. Wiring diagram for R1...R5 (from version -/03)