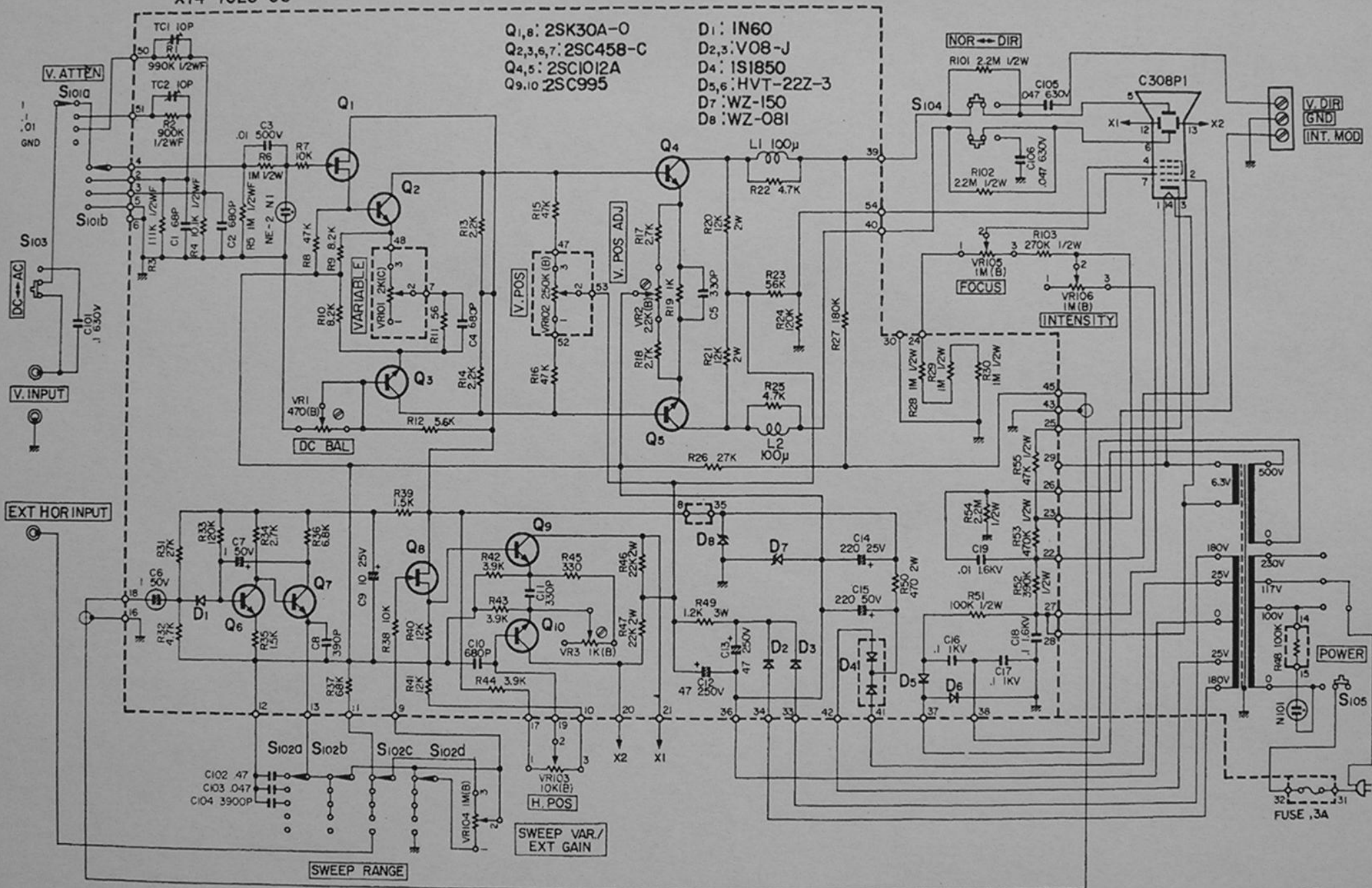


X74-1020-00

Q_{1,8}: 2SK30A-O
 Q_{2,3,6,7}: 2SC45B-C
 Q_{4,5}: 2SC1012A
 Q_{9,10}: 2SC995

D₁: IN60
 D_{2,3}: V08-J
 D₄: 1S1850
 D_{5,6}: HVT-22Z-3
 D₇: WZ-150
 D₈: WZ-081



MODEL 1403