

Fig 7.1 Fault Finding Flowchart - Part 1

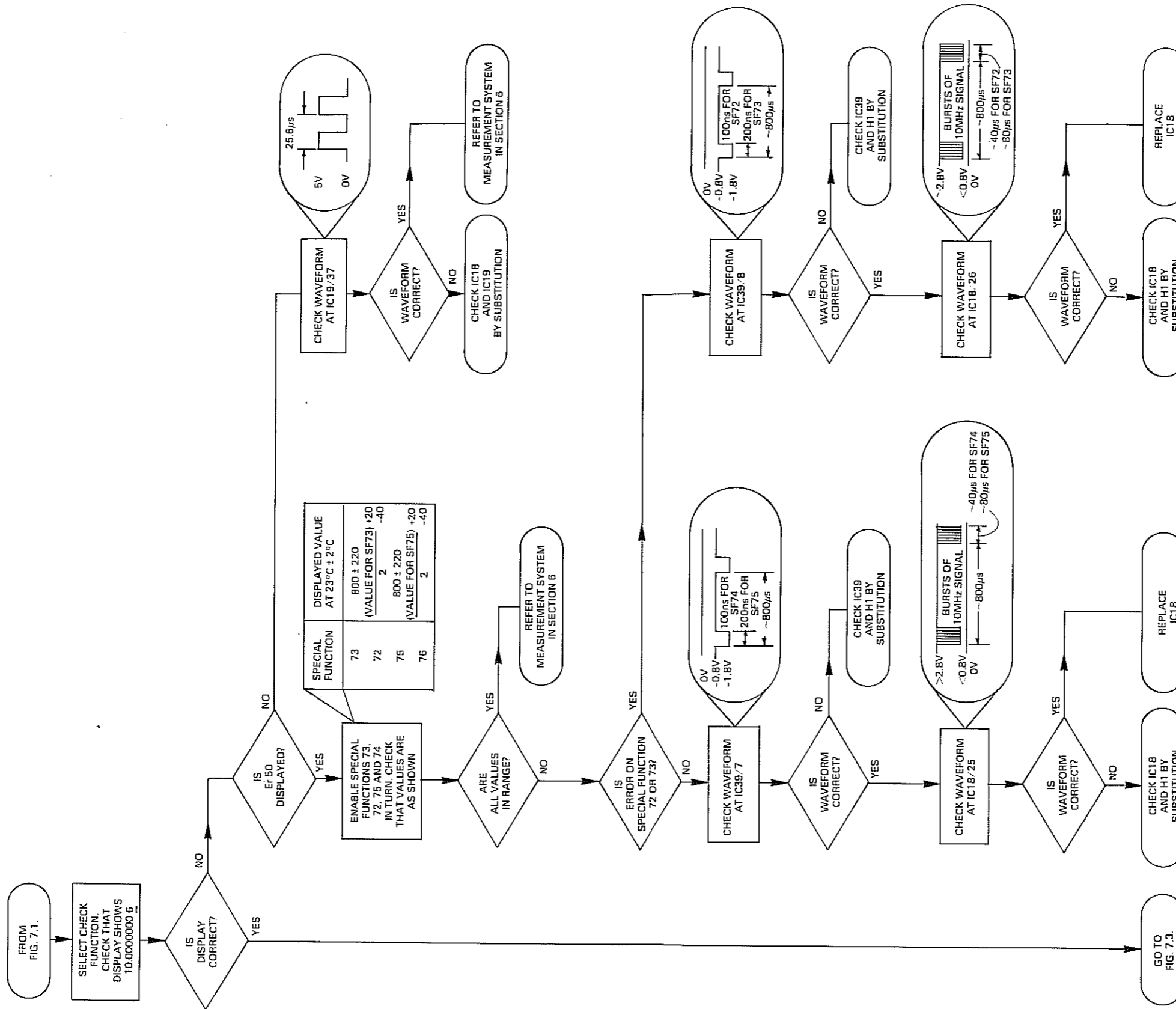


Fig 7.2 Fault Finding Flowchart - Part 2

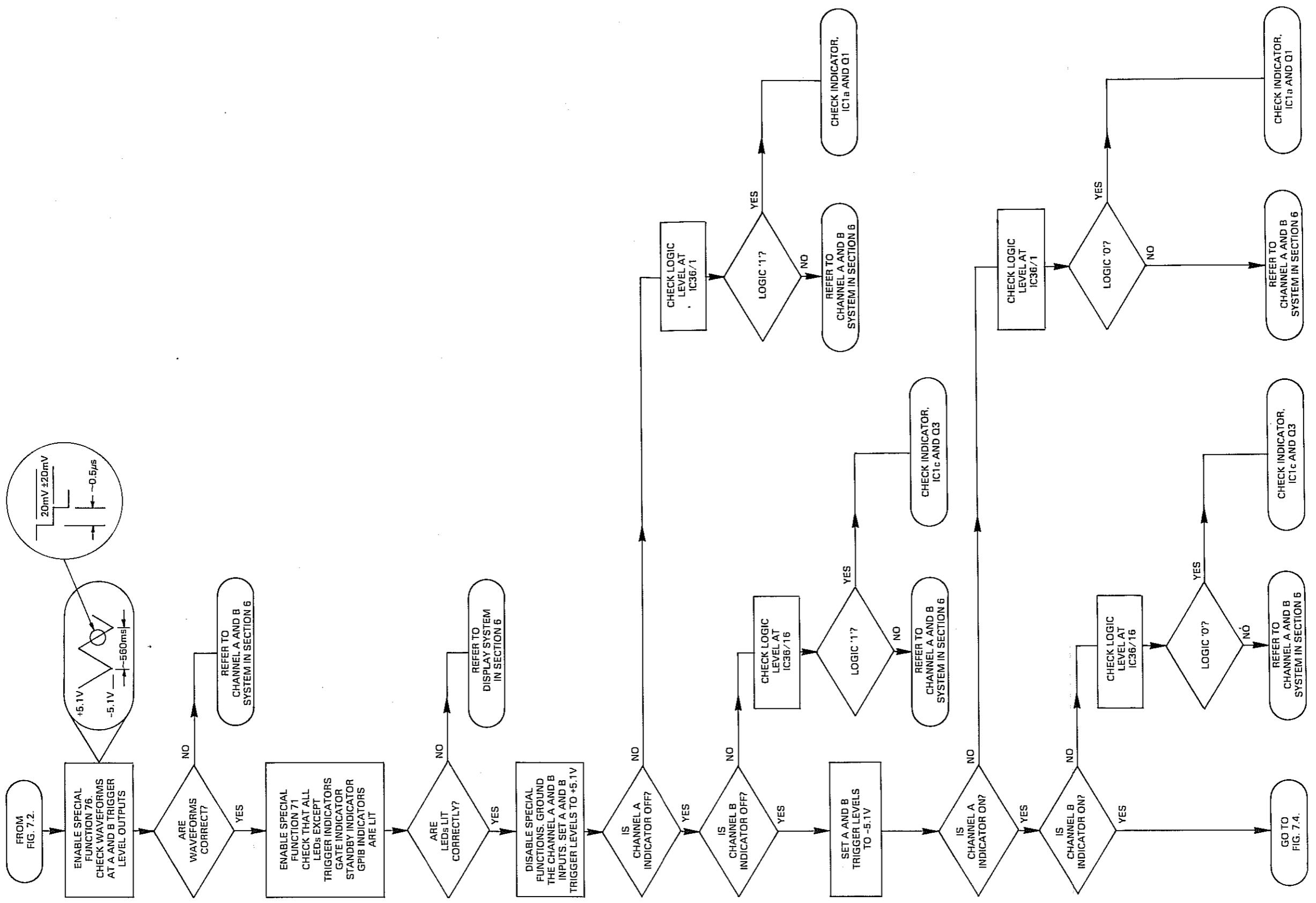


Fig 7.3 Fault Finding Flowchart - Part 3

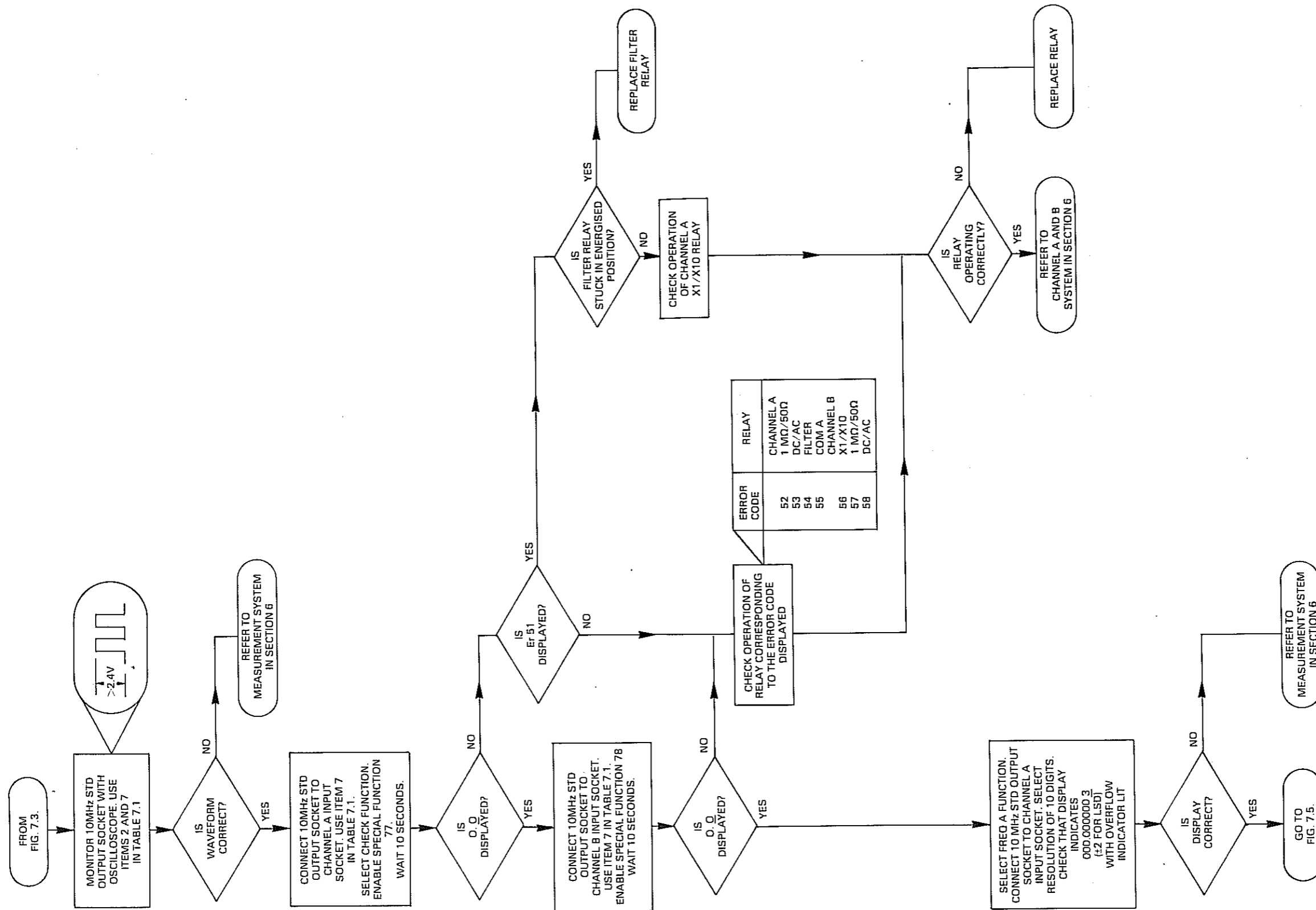


Fig 7.4 Fault Finding Flowchart - Part 4

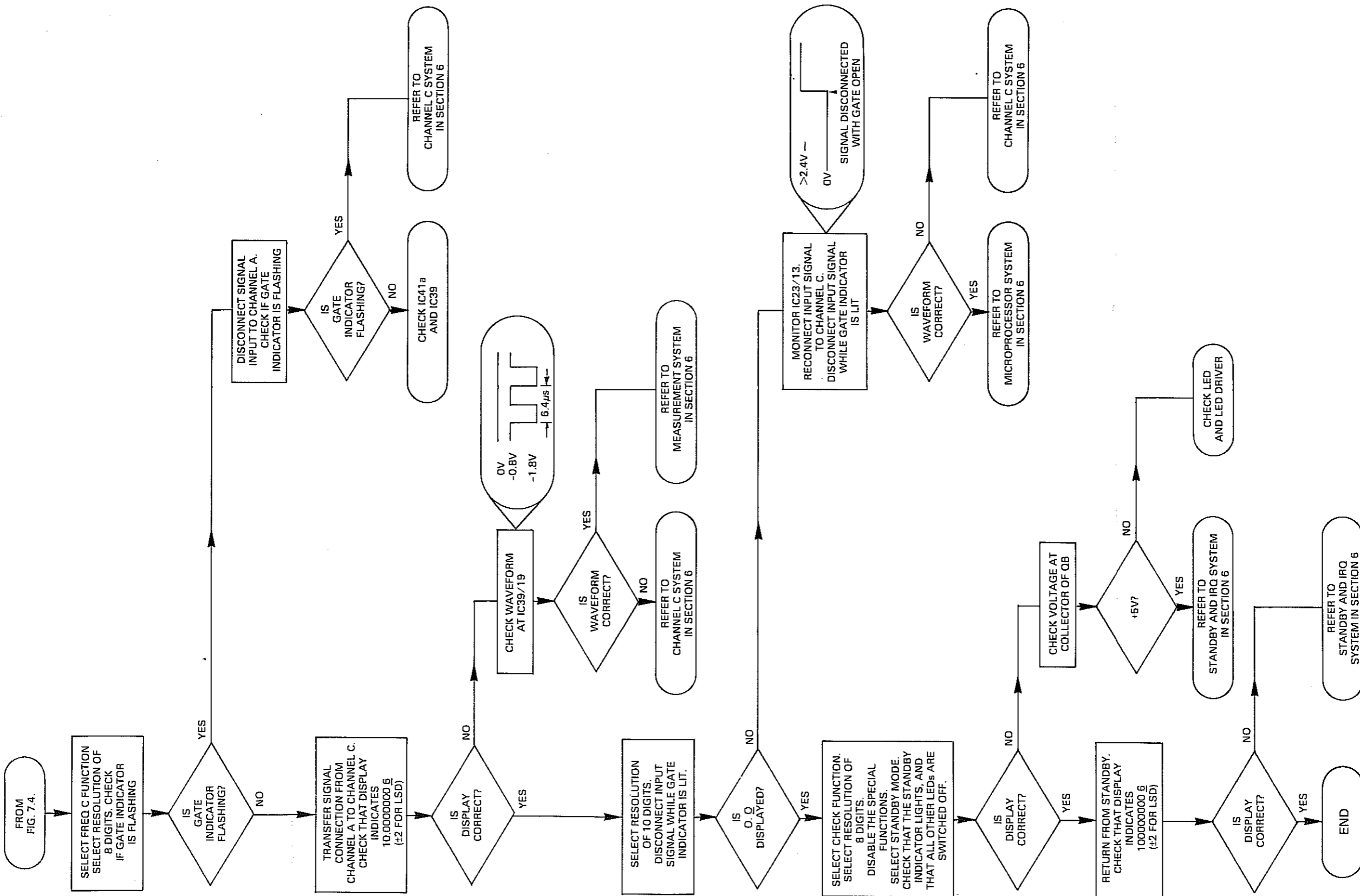
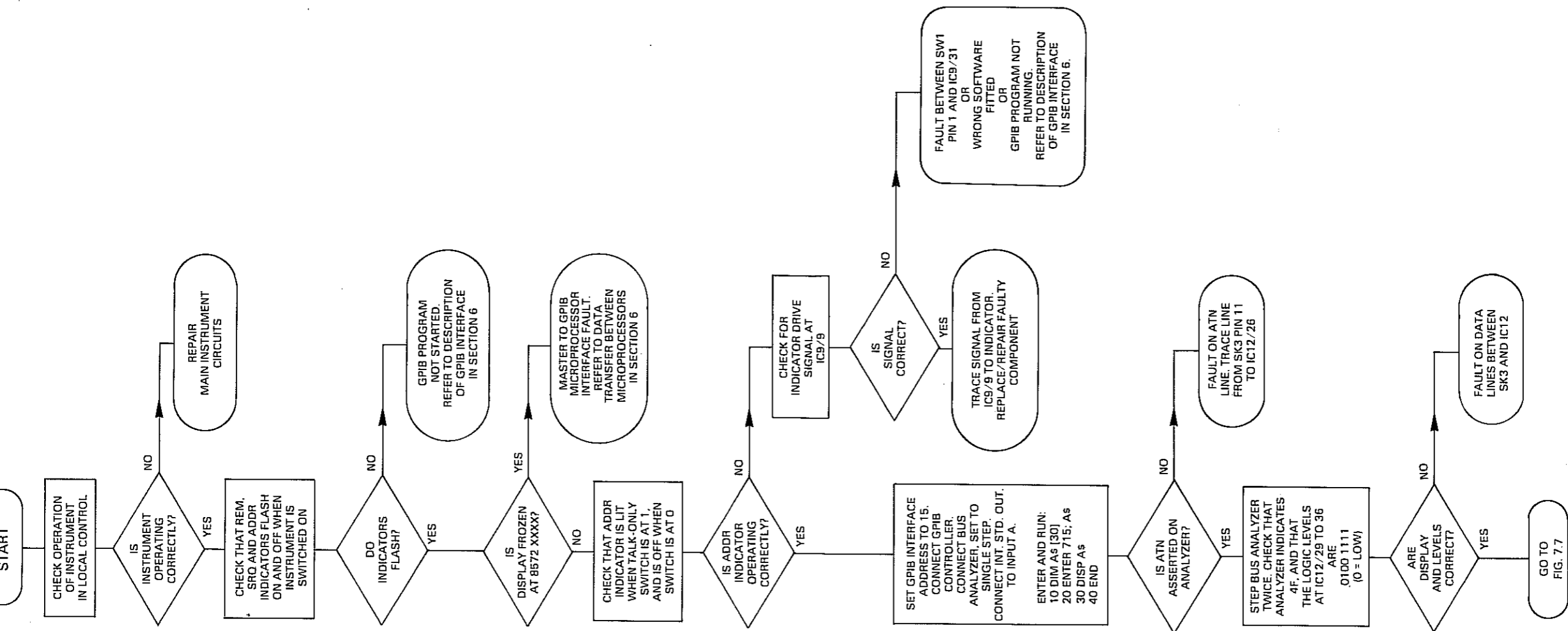


Fig 7.5 Fault Finding Flowchart - Part 5



NOTE:  
XXXX REPRESENTS  
SOFTWARE VERSION  
AND ISSUE NUMBER

Fig 7.6 Fault Finding Flowchart - GPIB Part 1

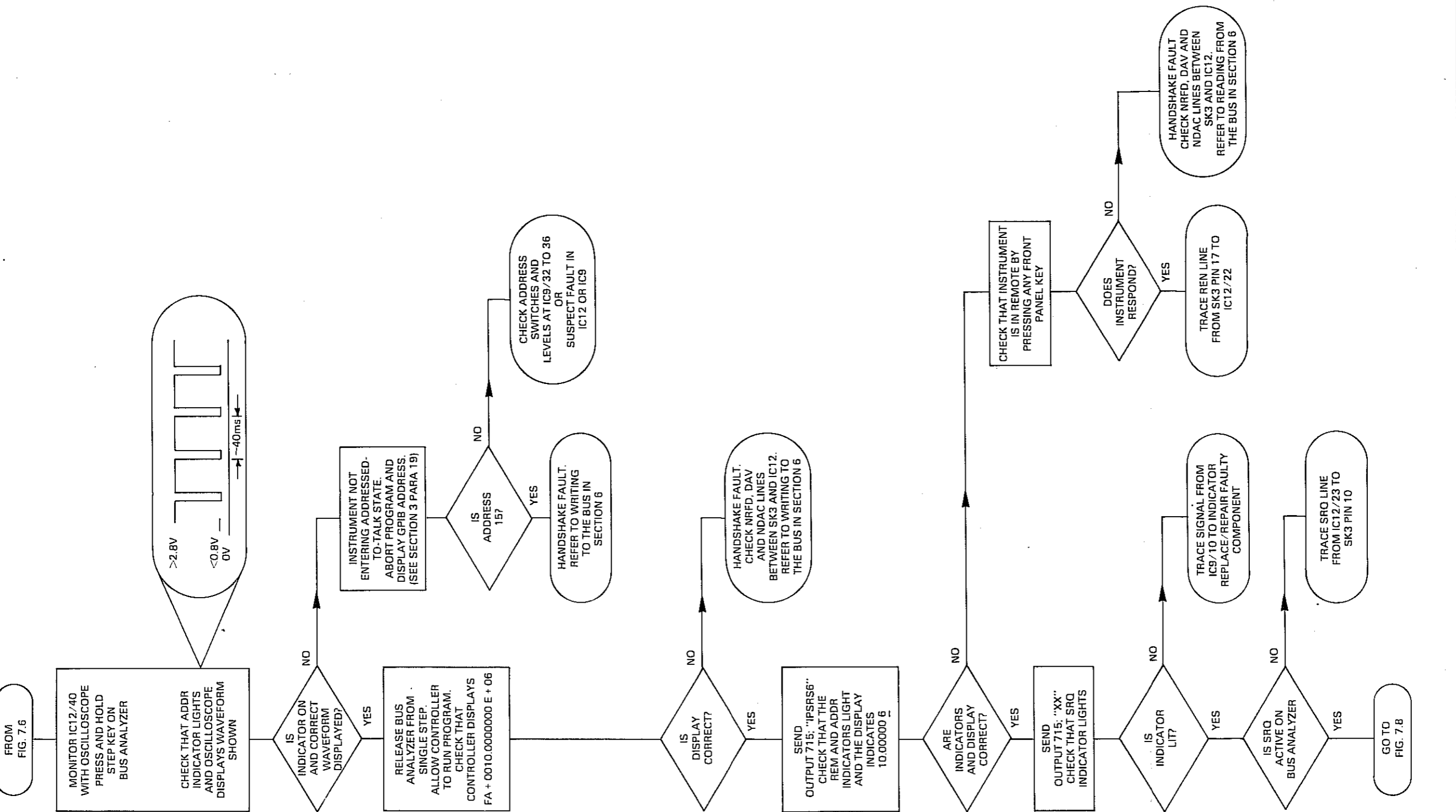


Fig 7.7 Fault Finding Flowchart - GPIB Part 2

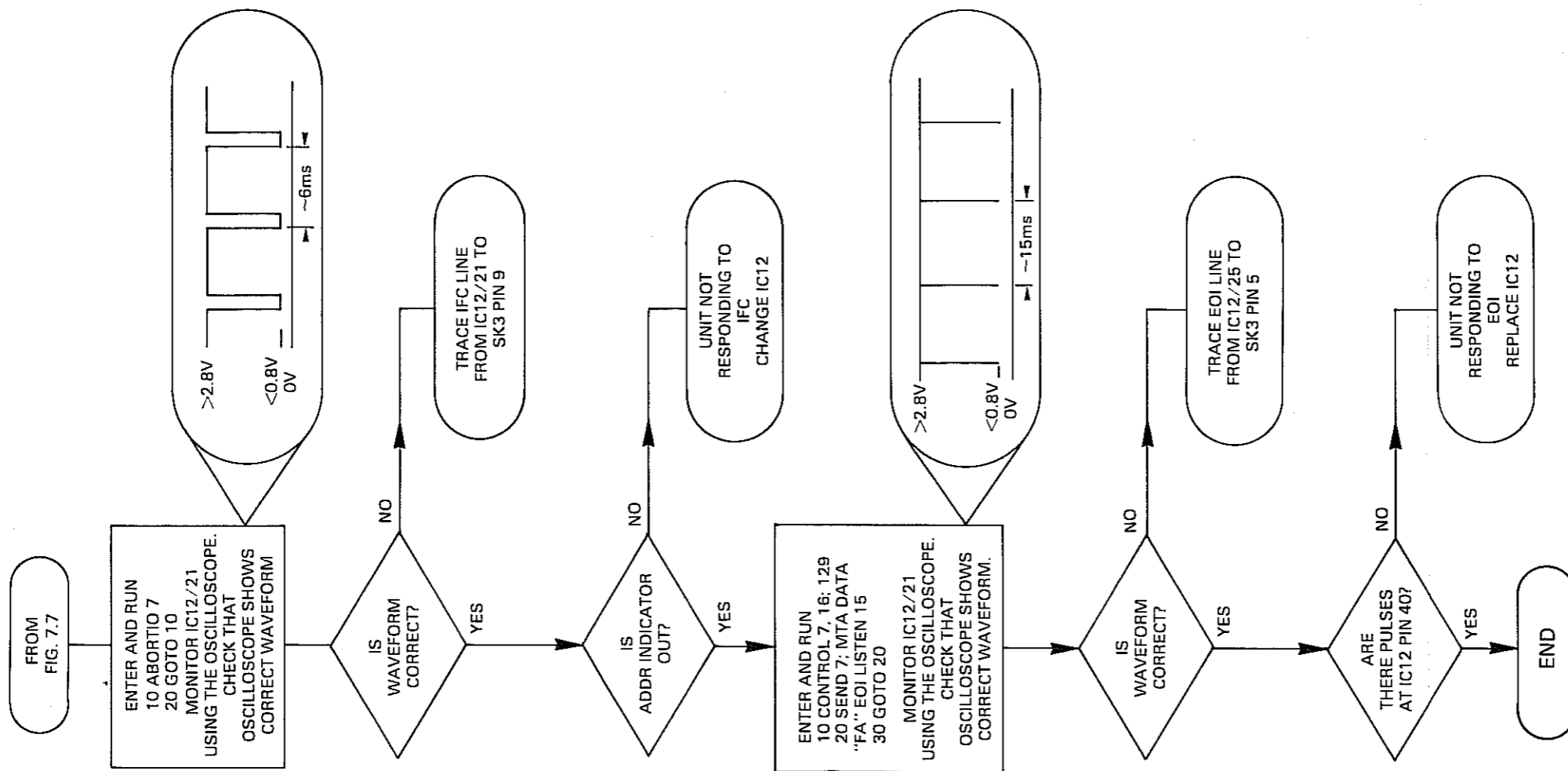
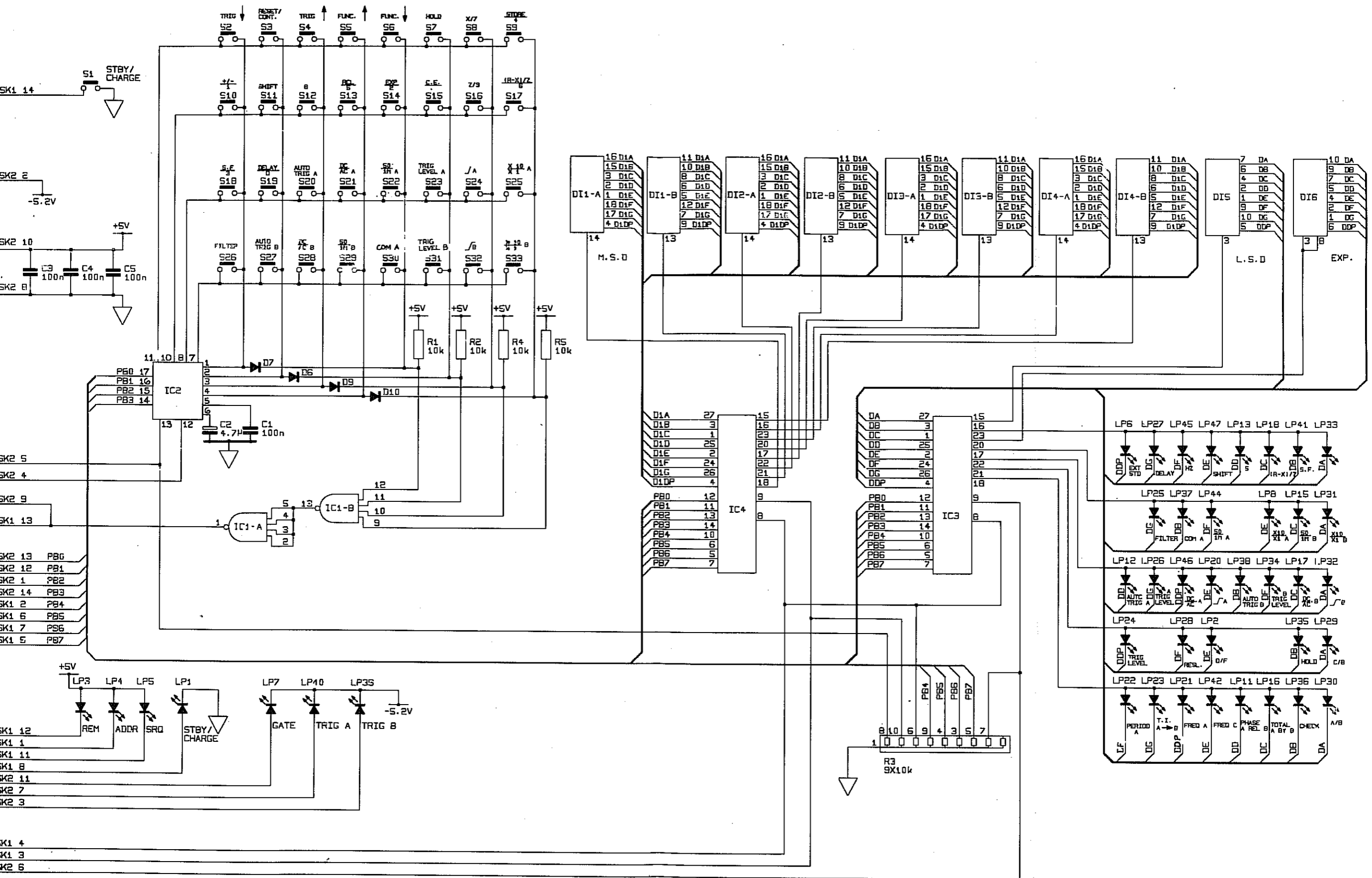


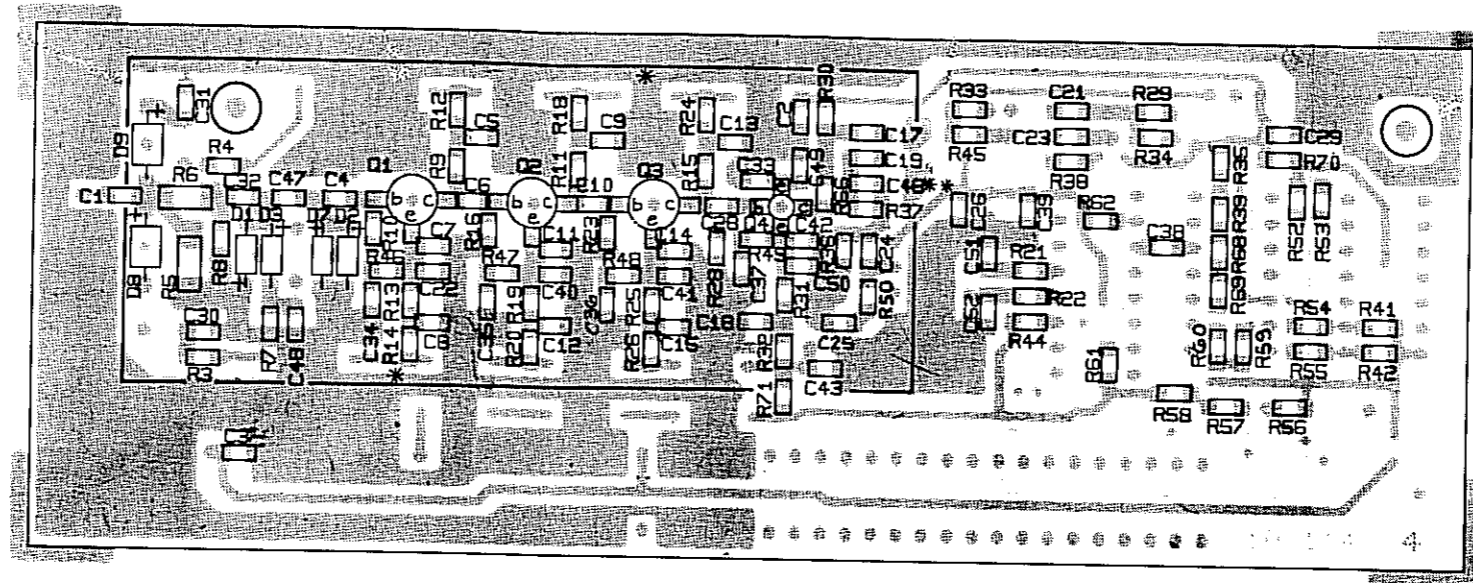
Fig 7.8 Fault Finding Flowchart - GPIB Part 3



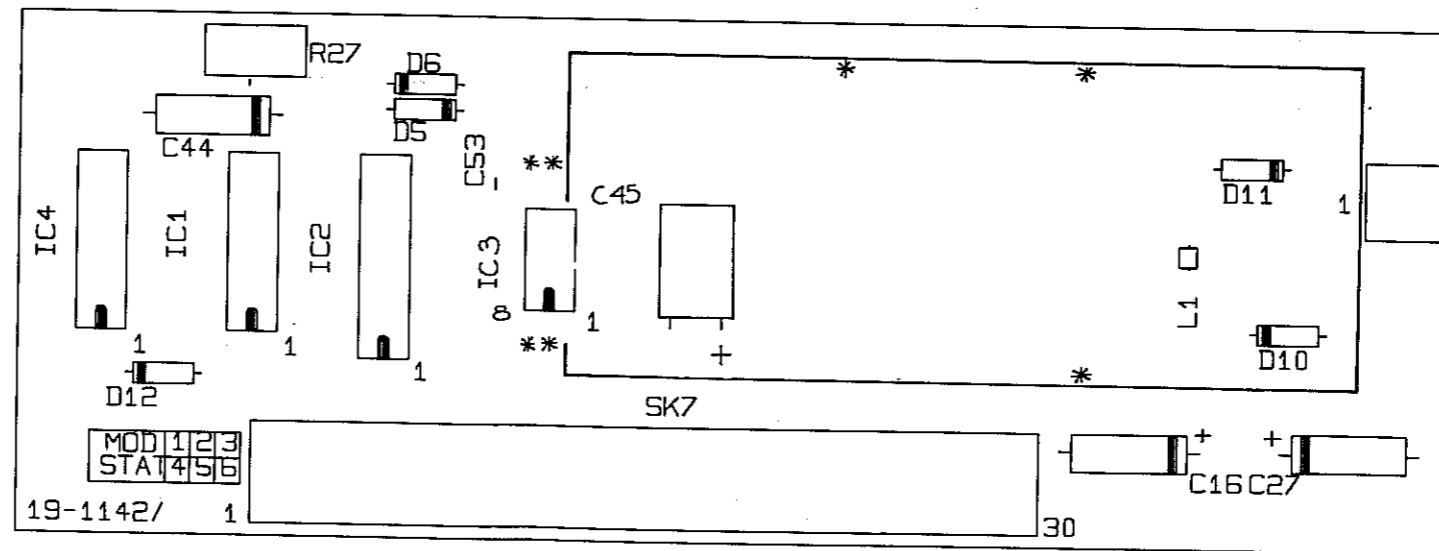


Circuit Diagram:  
Display Board Assembly 19-1141 Fig.3

TRACKSIDE VIEW

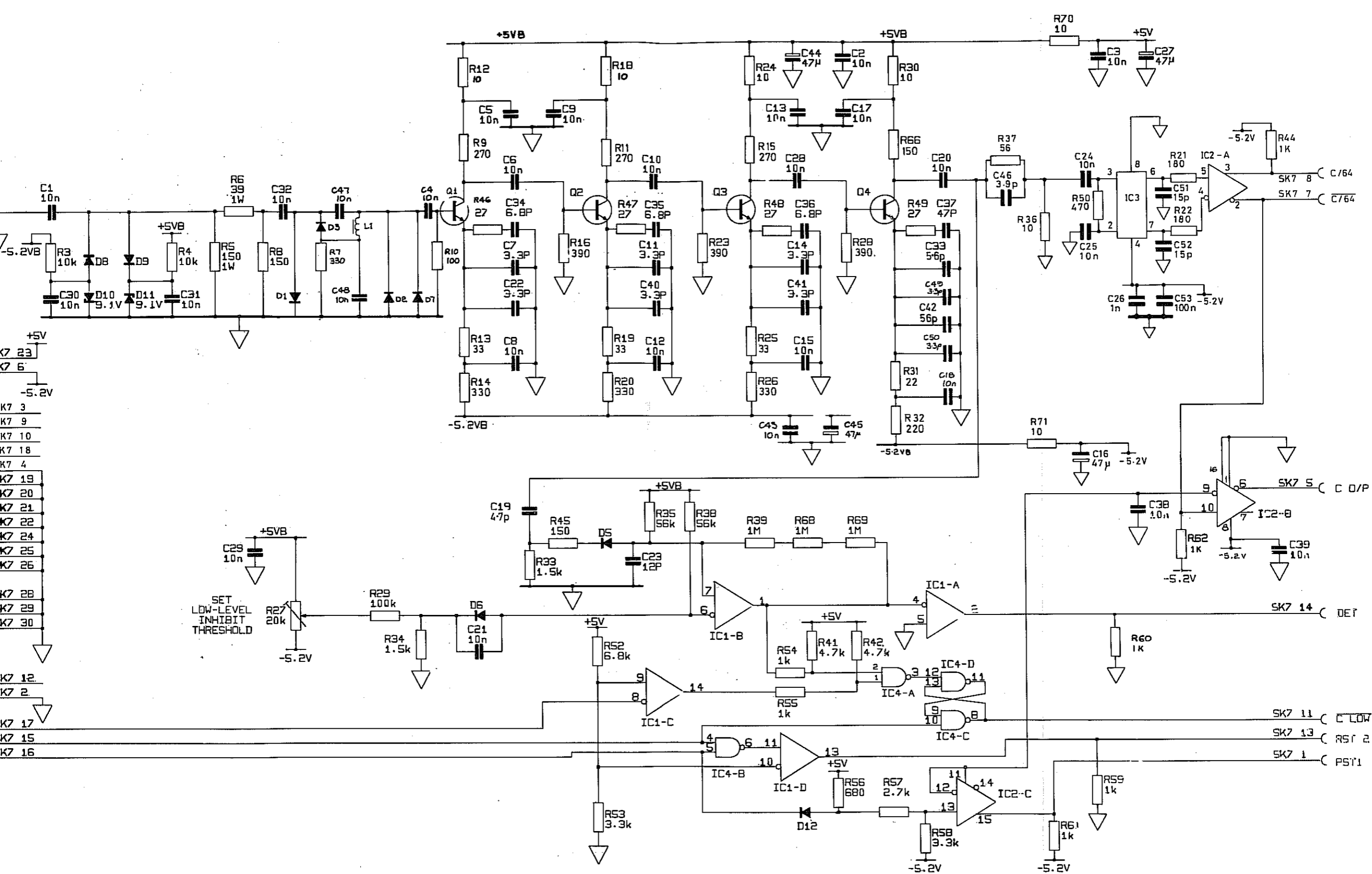


COMP SIDE VIEW



Component Layout:  
Channel C Assembly 19-1142

Fig. 4

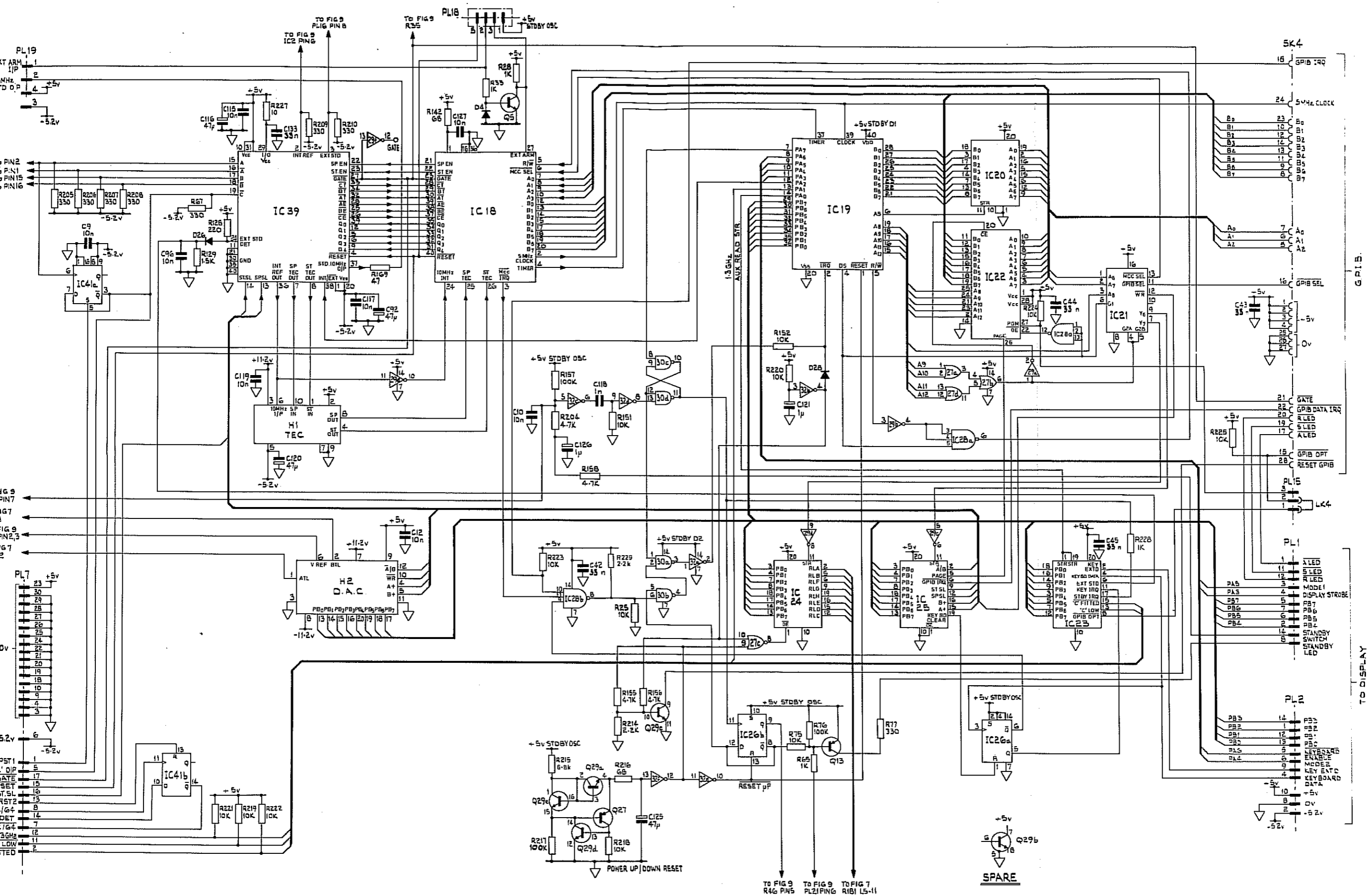


- K7 23
- K7 6
- 5.2V
- K7 3
- K7 9
- K7 10
- K7 18
- K7 4
- K7 19
- K7 20
- K7 21
- K7 22
- K7 24
- K7 25
- K7 26
- K7 28
- K7 29
- K7 30
- K7 12
- K7 2
- K7 17
- K7 15
- K7 16

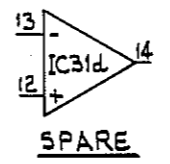
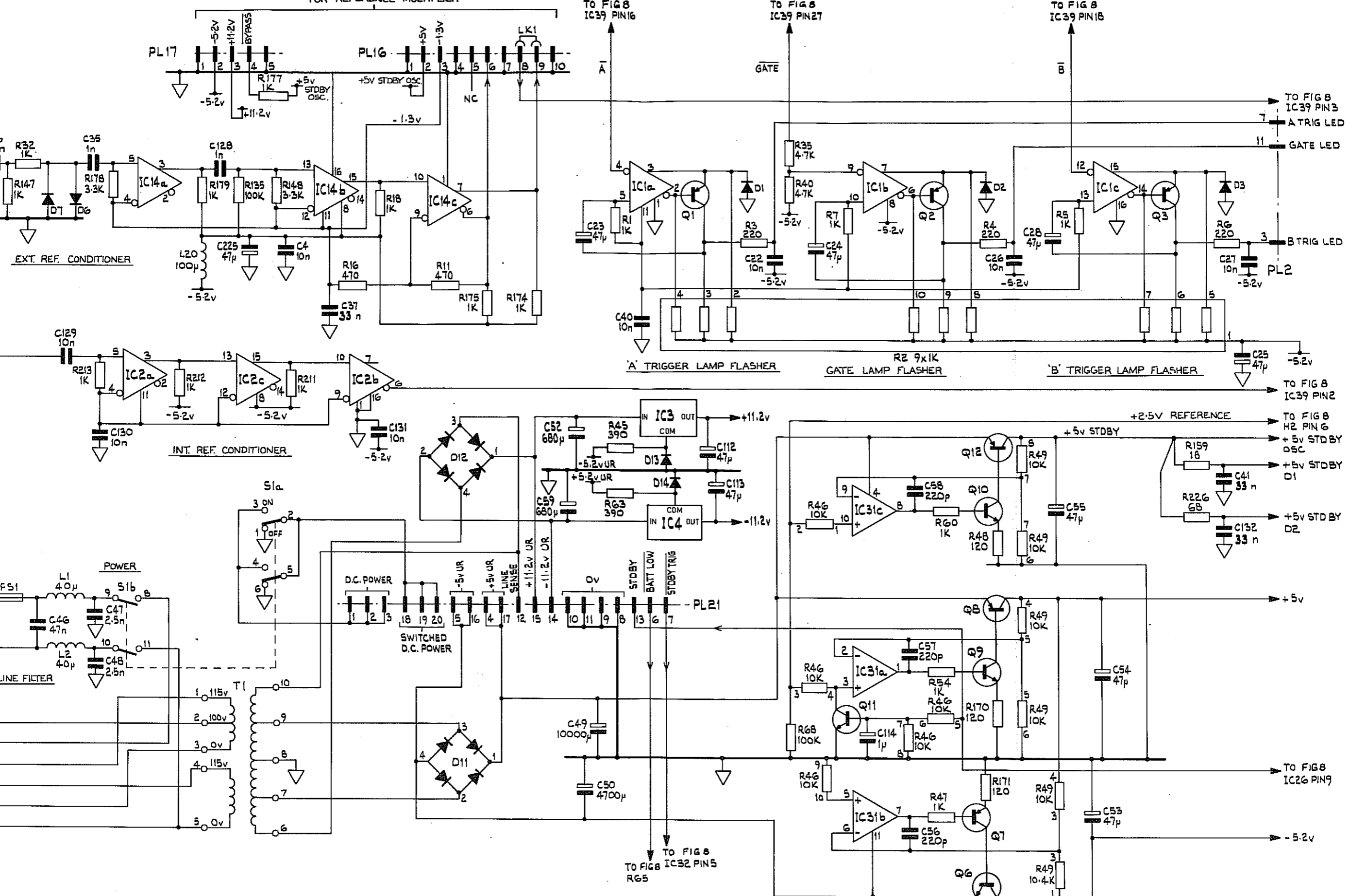
Circuit Diagram:  
Channel C Assembly 19-1142



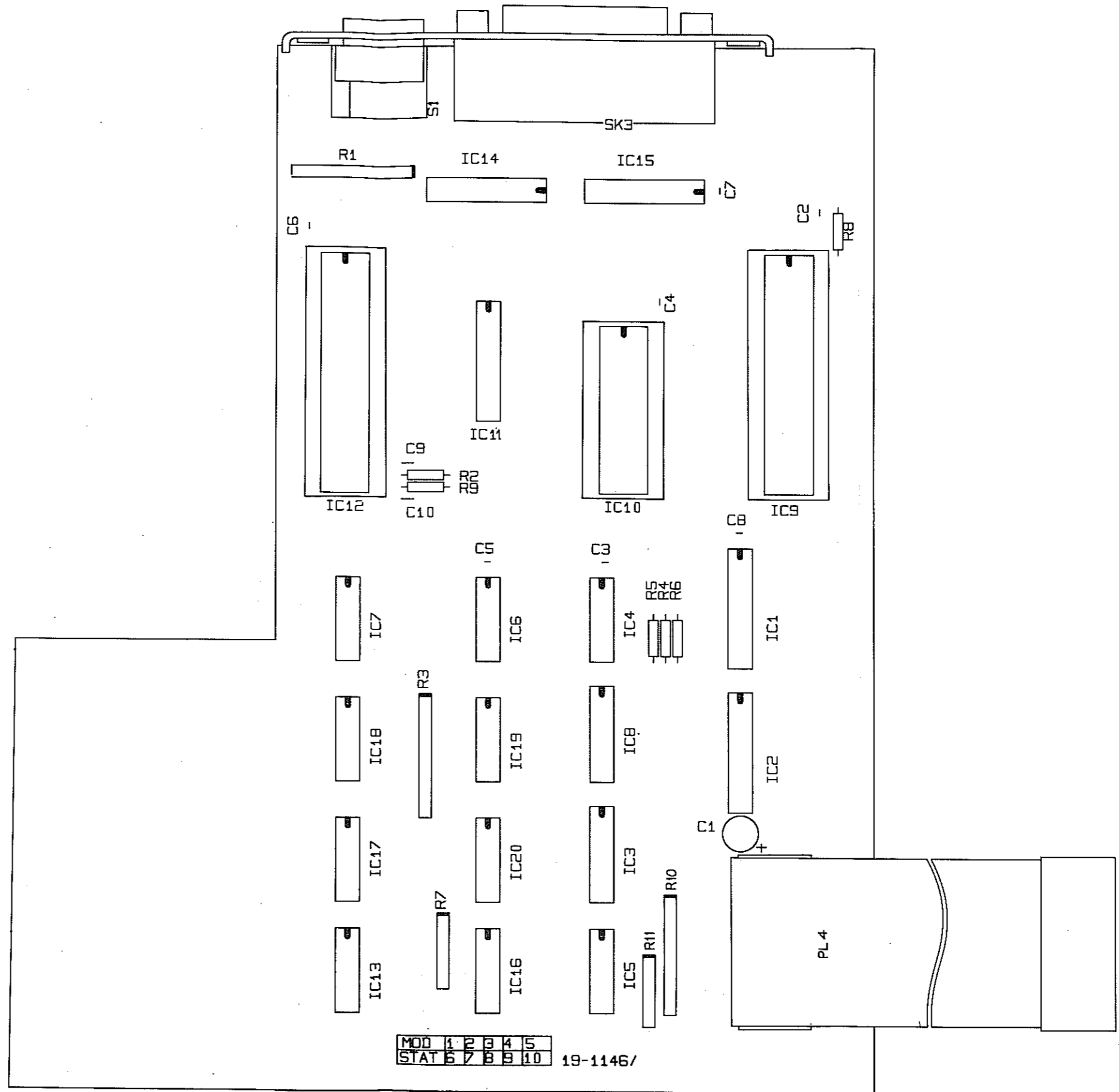




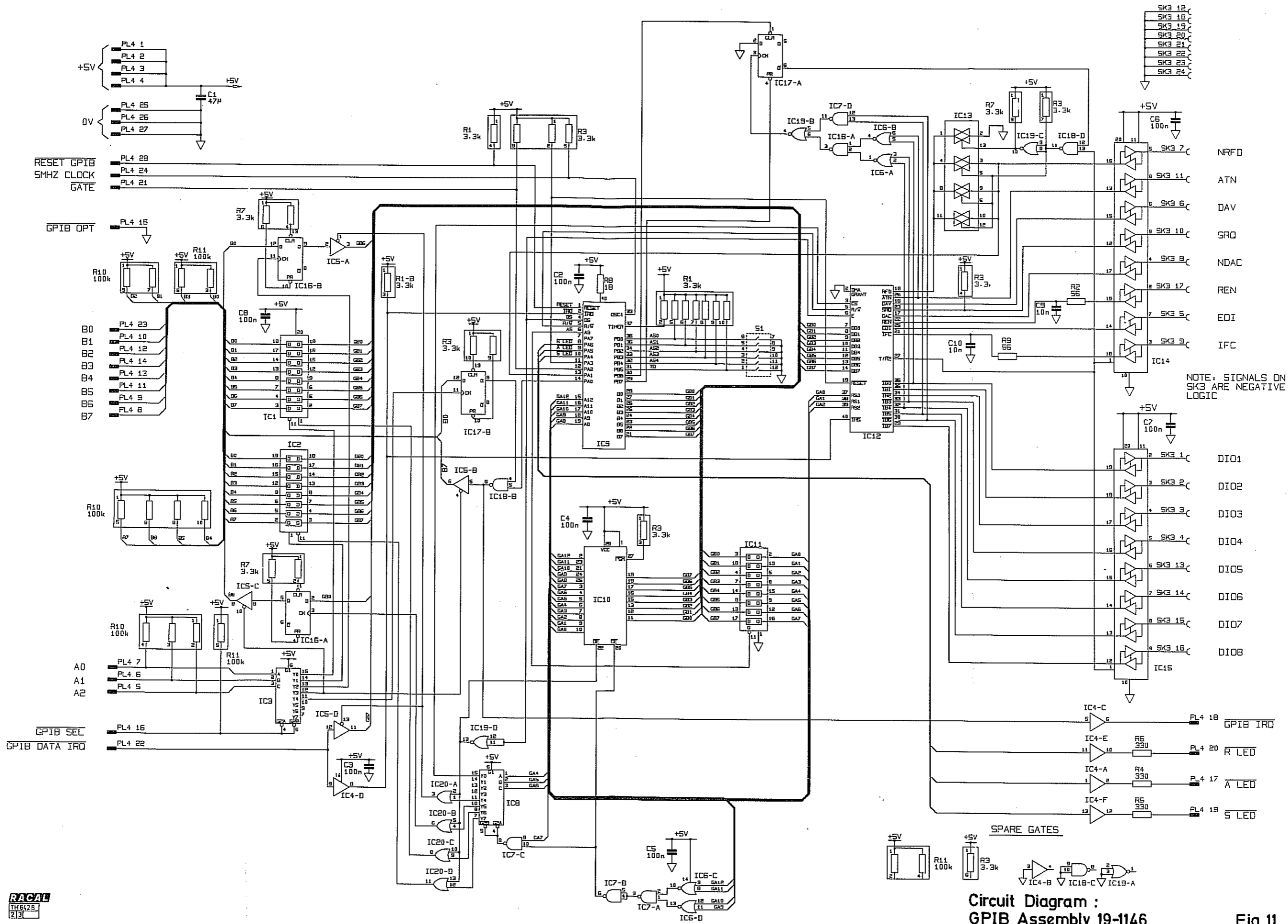
Circuit Diagram :  
 Motherboard Assembly 19-1145 Fig. 8



Circuit Diagram :  
Motherboard Assembly 19-1145  
Fig. 9





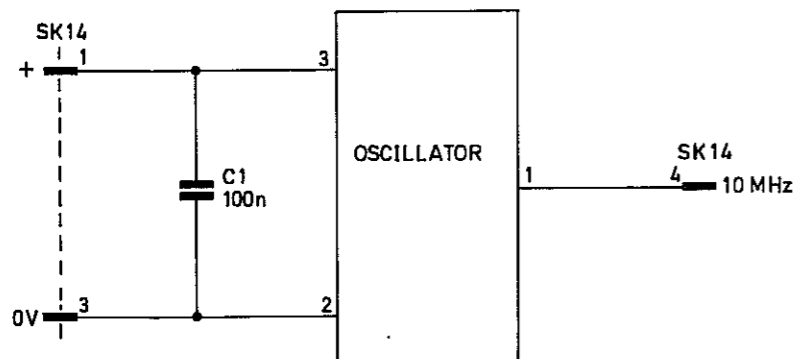


NOTE: SIGNALS ON SK3 ARE NEGATIVE LOGIC

Circuit Diagram :  
GPIB Assembly 19-1146

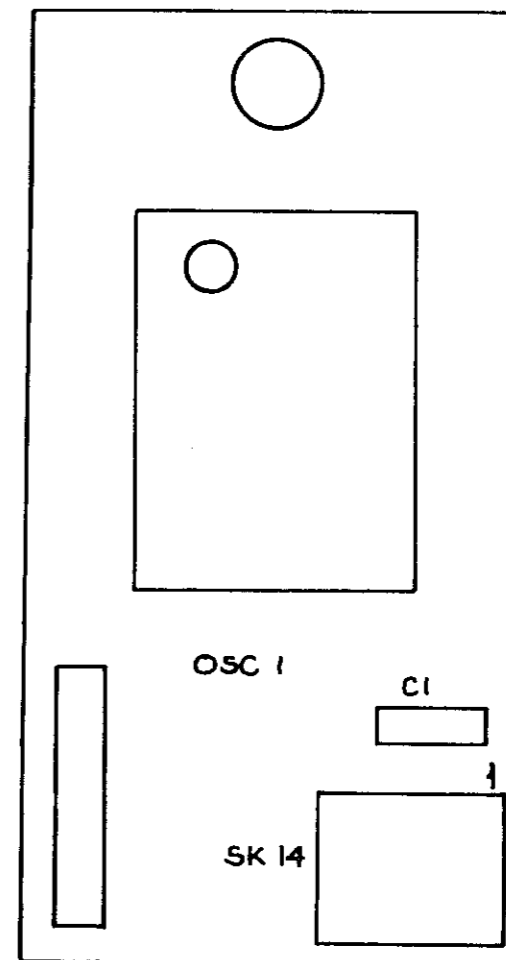
Fig 11





Circuit Diagram  
Oscillator Assembly 19-1147

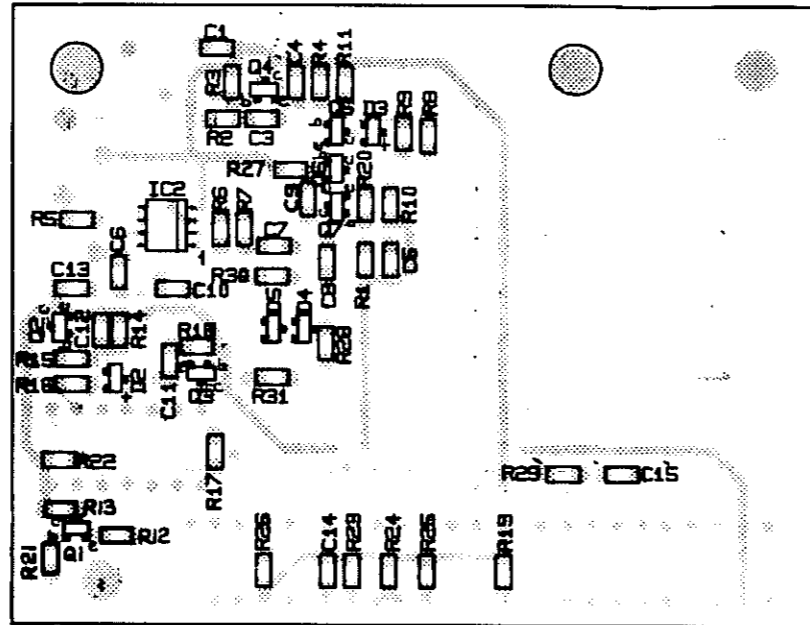
Fig.13



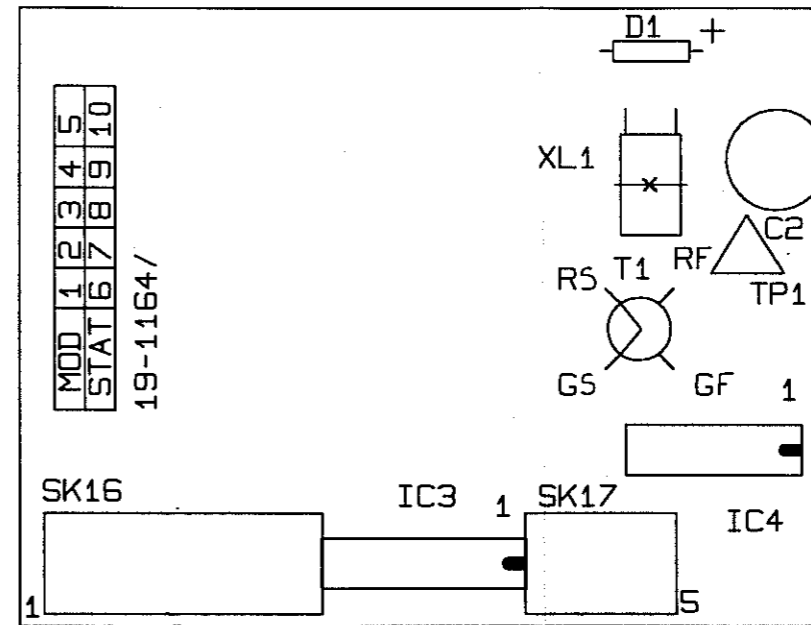
Component Layout:  
Oscillator Assembly 19-1147

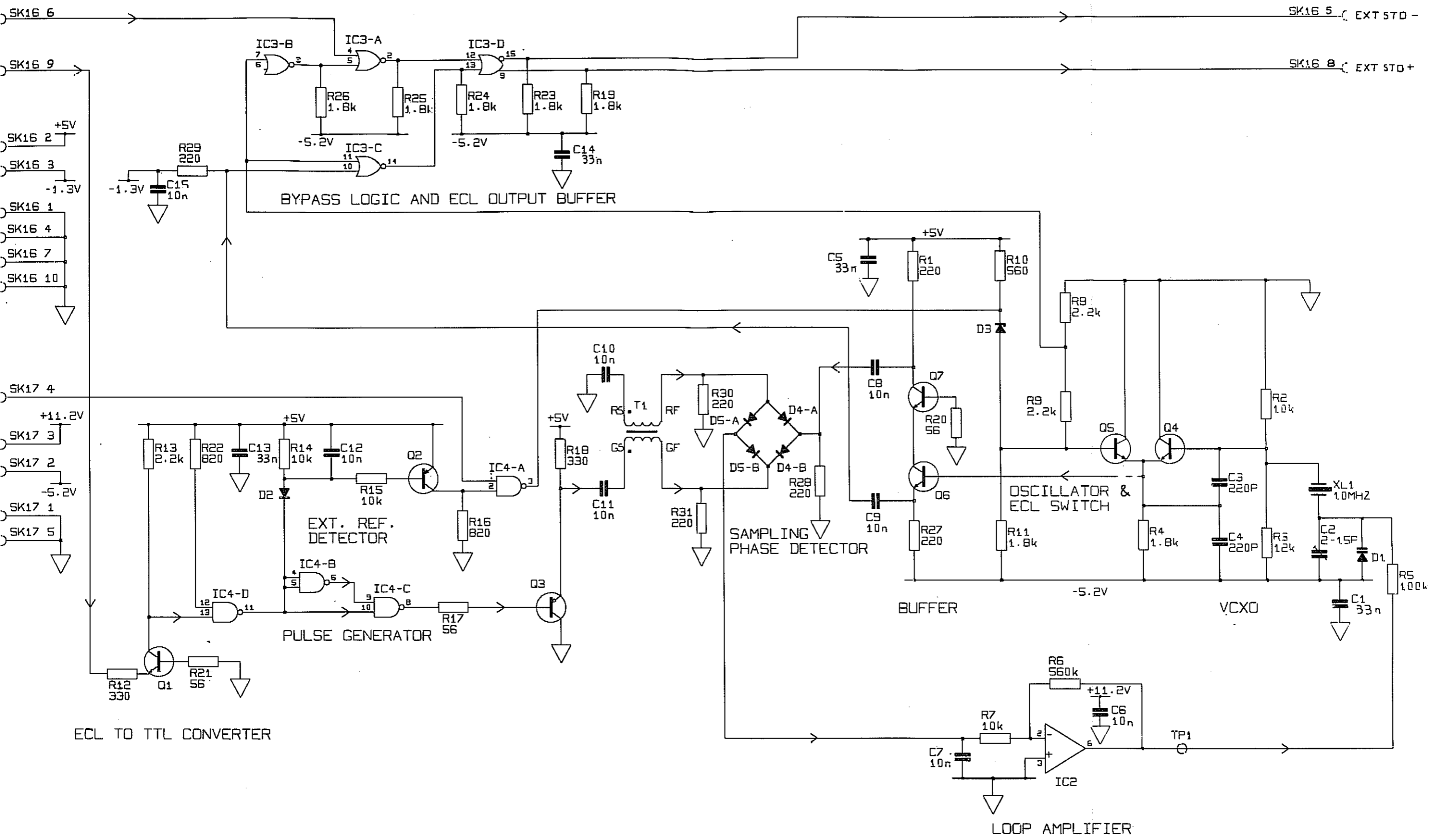
Fig.12

TRACKSIDE VIEW

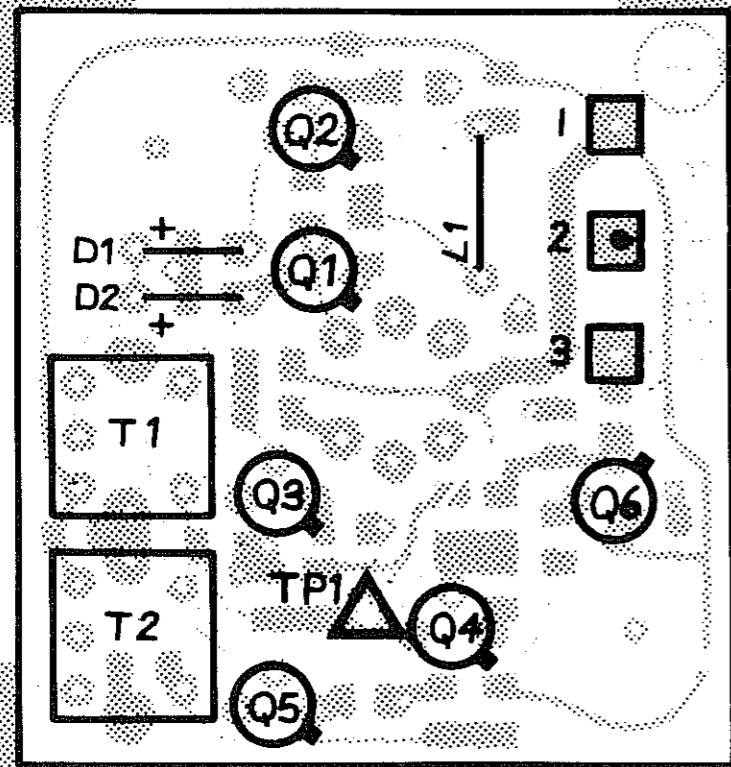


COMPONENT SIDE VIEW

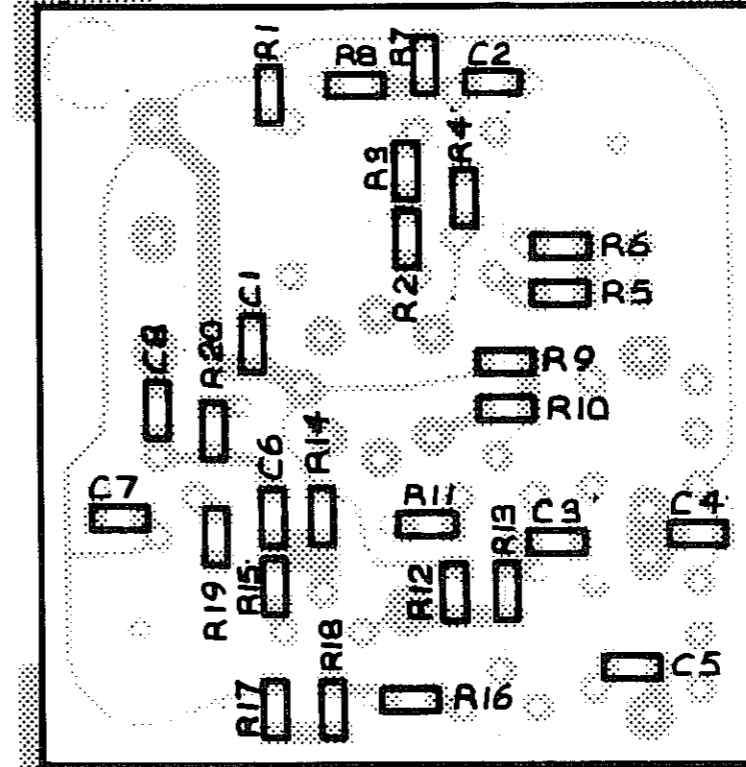




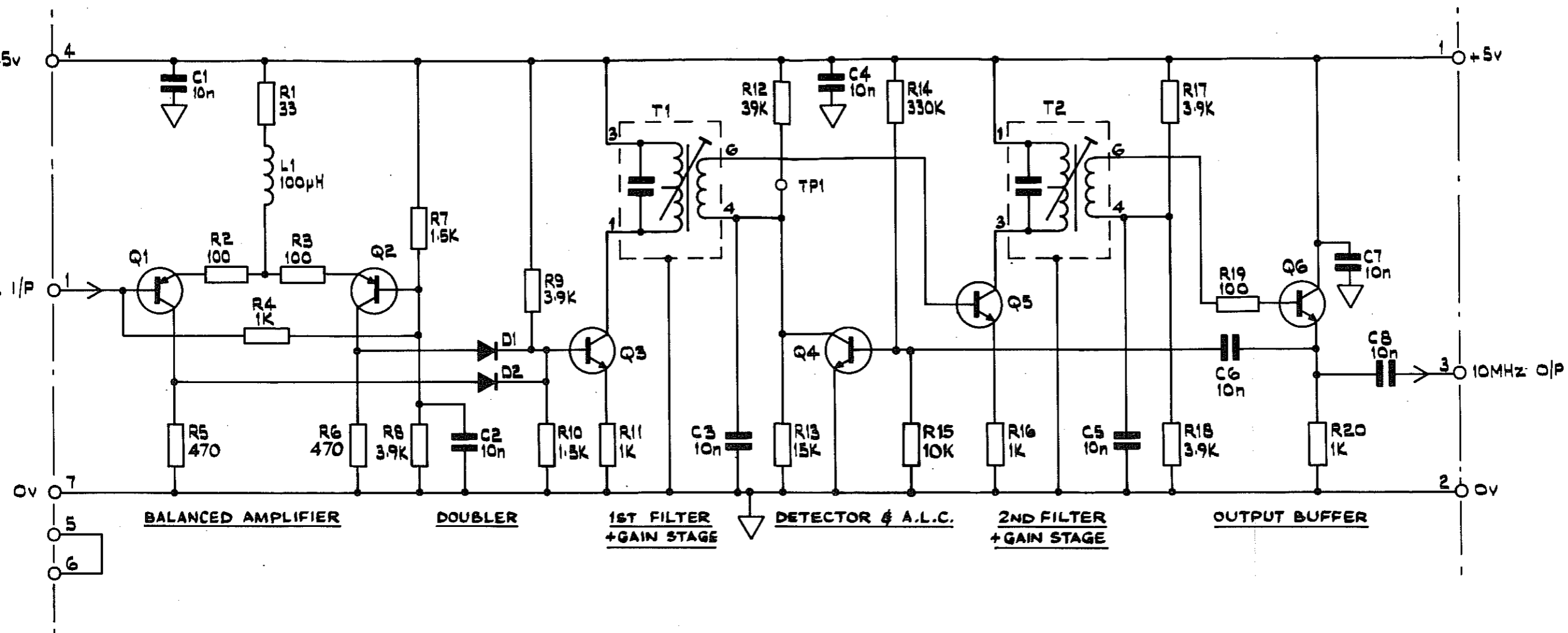
Circuit Diagram : Reference Frequency Multiplier Assembly 19-1164 Fig.15



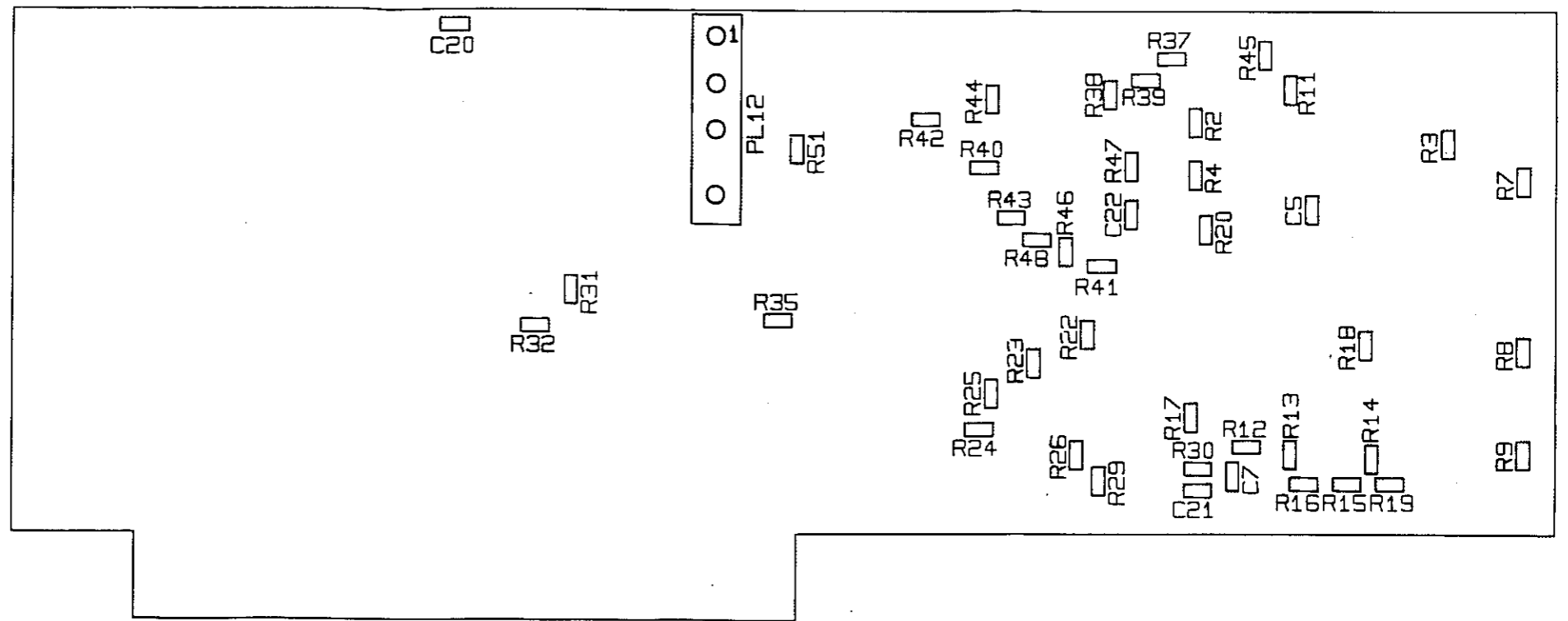
VIEWED FROM COMPONENT SIDE



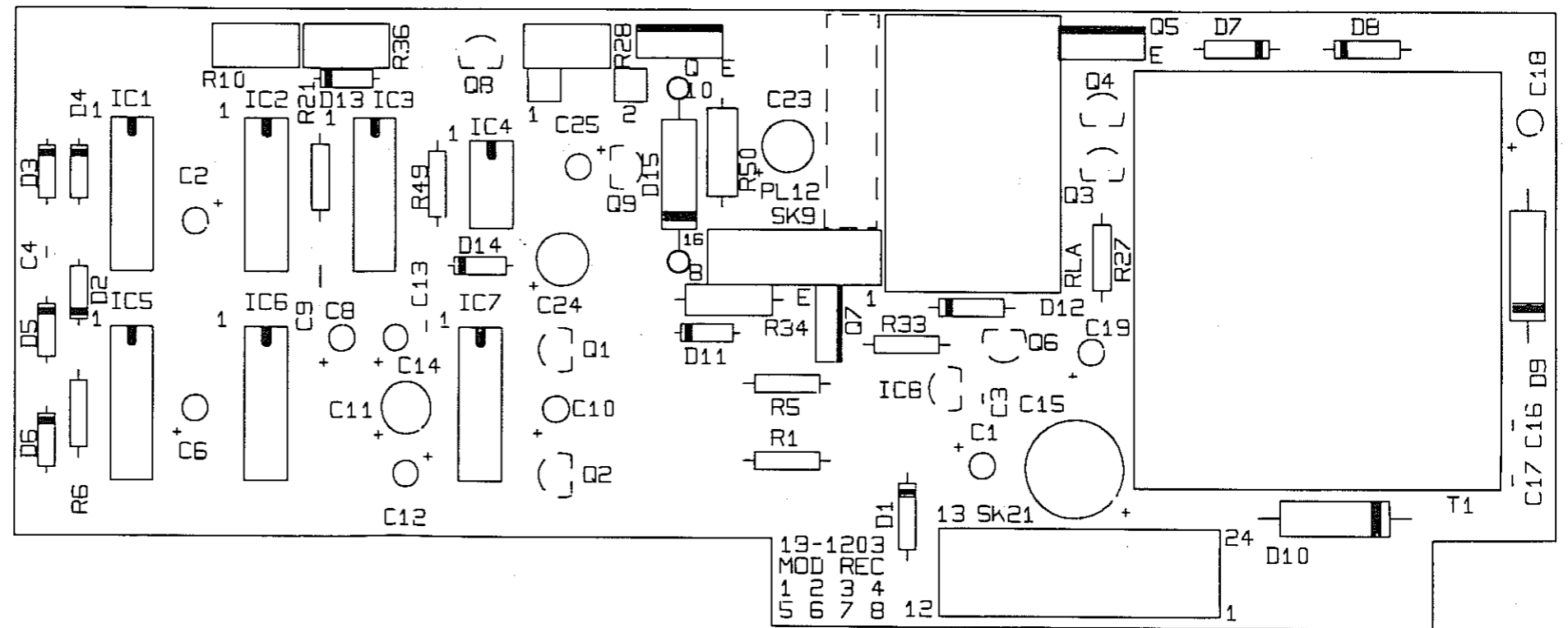
VIEWED FROM TRACK SIDE





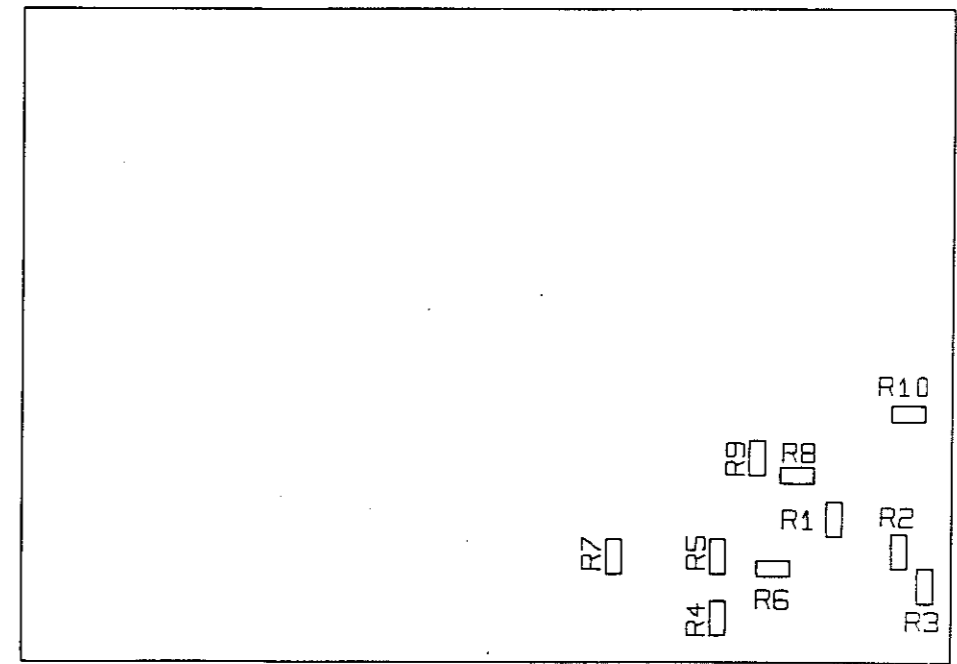


TRACKSIDE VIEW

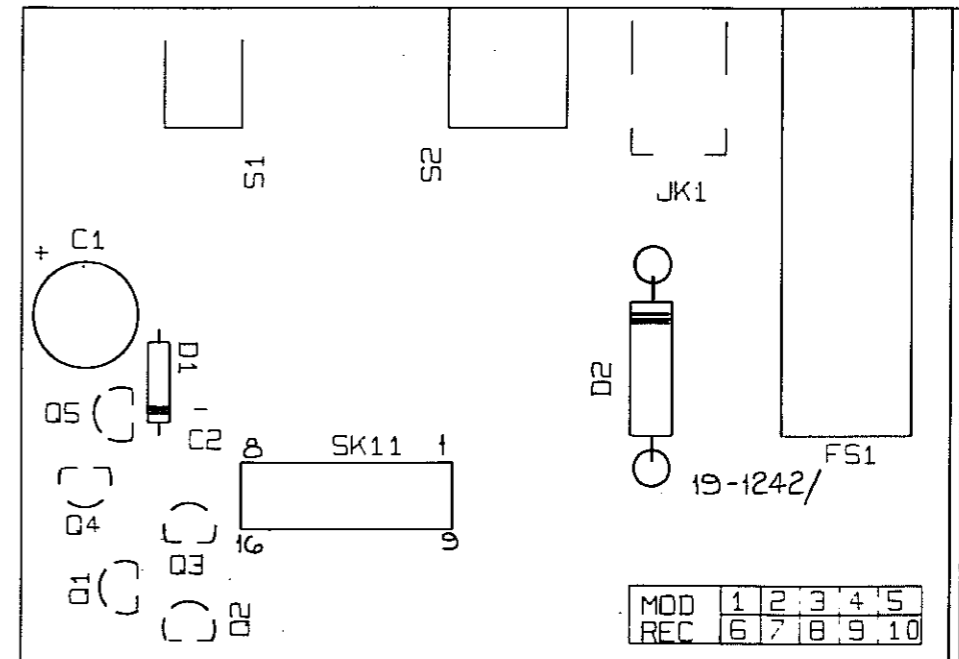


COMPONENT SIDE VIEW





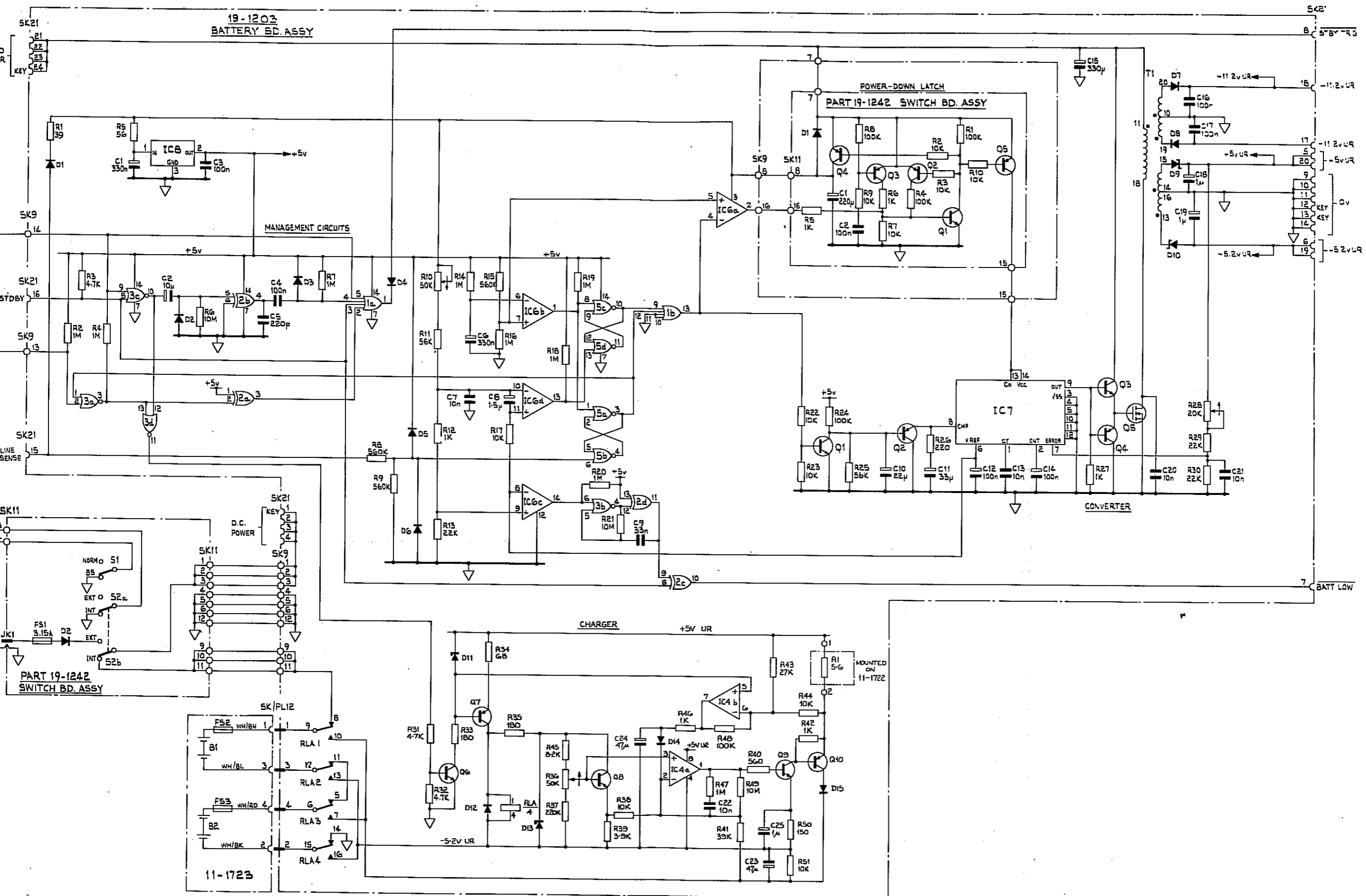
TRACKSIDE VIEW



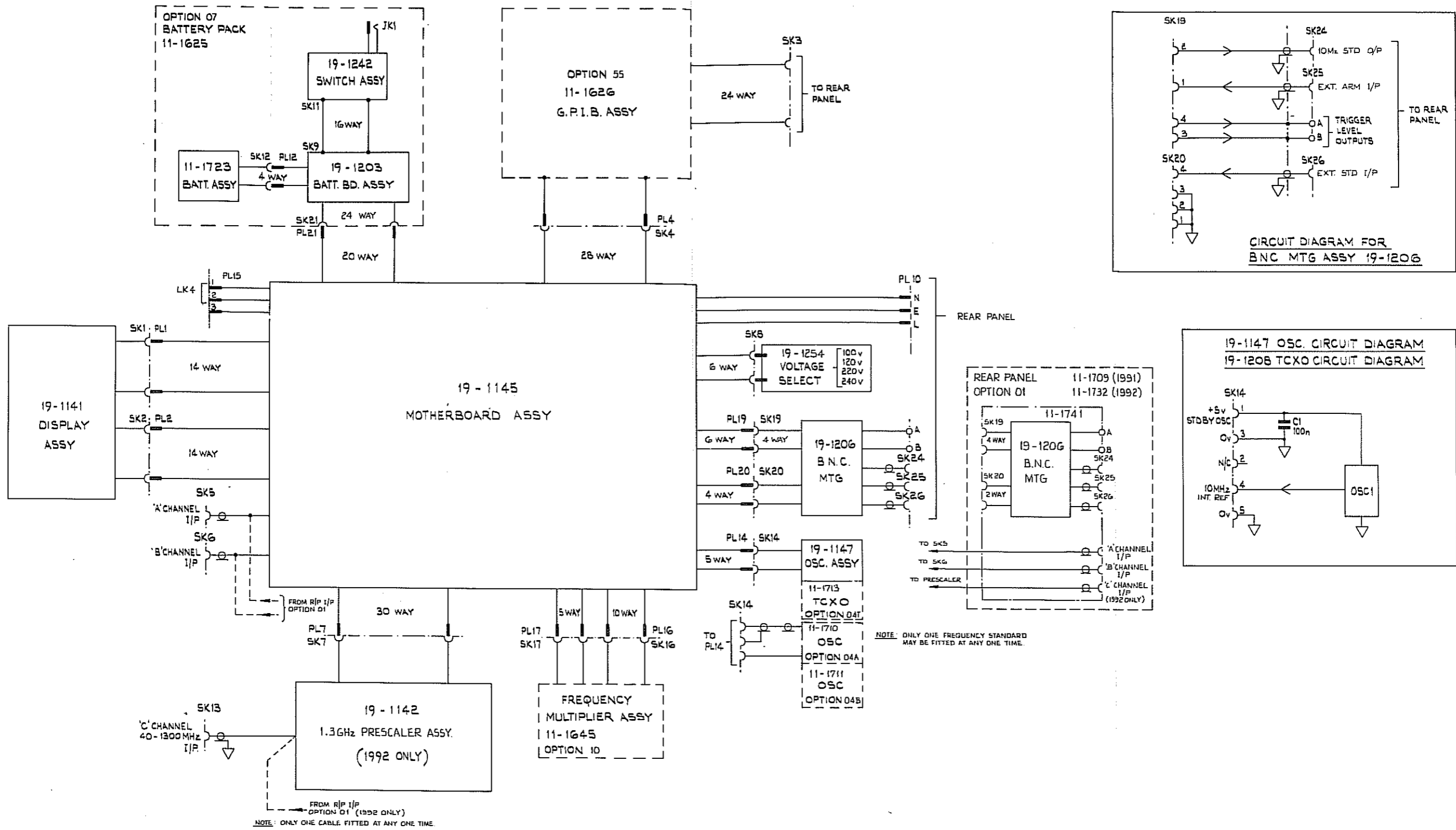
COMPONENT SIDE VIEW

Component Layout:  
Switch Board Assembly 19-1242

Fig. 20



Circuit Diagram:  
Battery Pack Assembly 11-1625 Fig.21



PL1	SK1	14 WAY	PL/SK 2
PIN	PIN		PIN
14	14	-5.2v	2
13	13	0v	8
2	2	+5v	10
6	6	KEYBOARD ENABLE	5
7	7	KEYBOARD DATA	4
5	5	KEYBOARD EXTEND	9
12	12	PB0	13
1	1	PB1	12
11	11	PB2	1
8	8	PB3	14
4	4	GATE	11
3	3	A TRIG	7
		B TRIG	3
		MODE 2	6

24 WAY	SK3
PIN	PIN
0v	12,18,19,20,21,22,23,24
NRFD	7
ATN	11
DAV	6
SRQ	10
NDAC	8
REN	17
EQ1	5
IFC	9
DIO1	1
DIO2	2
DIO3	3
DIO4	4
DIO5	13
DIO6	14
DIO7	15
DIO8	16

26 WAY	SK/PL 4
PIN	PIN
+5v	1,2,3,4
0v	25,26,27
RESET GPIB	28
5MHz CLOCK	24
GATE	21
GPIB OPT	15
B0	23
B1	10
B2	12
B3	14
B4	13
B5	11
B6	9
B7	8
A0	7
A1	6
A2	5
GPIB SEL	16
GPIB DATA TRG	22
GPIB TRG	18
R LED	20
A LED	17
S LED	19

4 WAY	PL/SK 12
PIN	PIN
BATTERY 1 0v	3
BATTERY 1 +6v	1
BATTERY 2 +6v	4
BATTERY 2 0v	2

30 WAY	PL7	SK7
PIN	PIN	PIN
+5v	23	23
-5.2v	6	6
0v	3,4,9,10,18,22,24,25,28,29,30	4,19,22,24-25,28-30
1.3 GHz	12	12
GATE	17	17
RESET	15	15
ST. SL or LL	16	16
C/64	8	8
E/72	7	7
C/OP	5	5
DET	14	14
C LOW	11	11
RST2	13	13
PST1	1	1
C BITTER	2	2

16 WAY	SK9, 11
PIN	PIN
0v	4,5,6,12
NORM/BS	14
EXT/INT	13
POWER EXT/INT	1,2,3
BATTERY	9,10,11

5 WAY	PL/SK 14
PIN	PIN
+5v STDBY OSC	1
0v	3,5
10MHz INT. REF.	4

10 WAY	PL16	SK16
PIN	PIN	PIN
+5v STDBY OSC.	2	2
-1.3v	3	3
0v	4,7,10,14,7,10	1,2,3
EXT REF -	6	6
EXT REF +	9	9
EXT STO -	5	5
EXT STO +	8	8

5 WAY	PL/SK 17
PIN	PIN
+11.2v	3
-5.2v	2
0v	1,5
BYPASS	4

4 WAY	PL/SK 20
PIN	PIN
0v	1,2,3
EXT REF.	4

PL21 - 20 WAY	SK21
PIN	PIN
DC. POWER	1,2,3
SWITCHED DC. POWER	18,19,20
-5v UR	5,16
+5v UR	4,17
LINE SENSE	12
+11.2v UR	15
-11.2v UR	14
0v	5,9,10,11
STDBY	13
BATT LOW	6
STDBY TRIG	7

Interconnections Fig.22