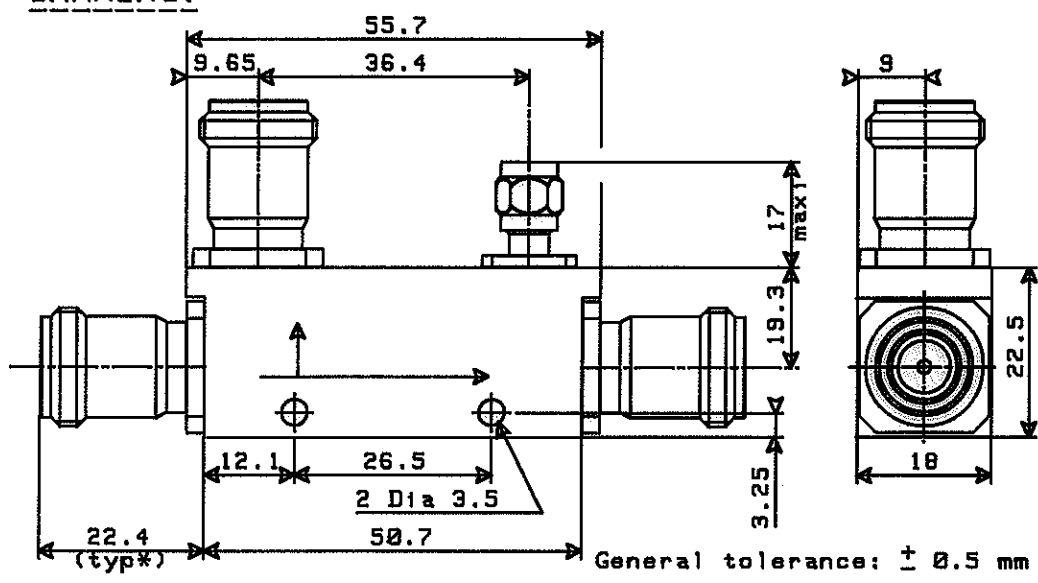




TITLE **20 dB FLAT RESPONSE DIRECTIONAL COUPLER**

LTR. **A**

DRAWING:



ELECTRICAL CHARACTERISTICS:

FREQUENCY RANGE	: 1.7 - 4.2 GHz
IMPEDANCE	: 50 Ohms
COUPLING (1)	: 20 dB \pm 0.8 dB
FREQUENCY SENSITIVITY	: \pm 0.4 dB
DIRECTIVITY	: 20 dB mini
INSERTION LOSS	: 0.4 dB max.
V.S.W.R.	: 1.25 max.
AVERAGE POWER	: 50 W CW at 25°C
PEAK POWER	: 3 kW (1 μ S, 1%) at 25°C

MECHANICAL CHARACTERISTICS:

CONNECTORS	: N female per MIL C 39012
TERMINATION (on isolated port)	: 50 Ω 1 W
MAXIMUM WEIGHT	: 140 g

ENVIRONMENTAL CHARACTERISTICS:

OPERATING TEMPERATURE RANGE	: - 25°C + 85°C
STORAGE TEMPERATURE RANGE	: - 40°C + 100°C

(1) Frequency sensitivity is included in coupling.

Tentative data subject to change without notice.

3294 - 9011

PEN CAT	QUALITY Dpt App.		LTR	REVISIONS	DATE	APP.
	MO B	12 AVR. 1992				
PAGE 1/1	DATE 30/03/92	NAME K. LUCIEN				