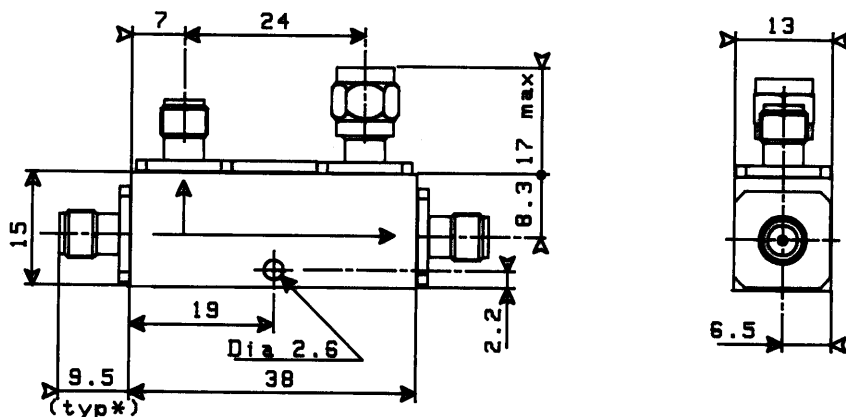




TITLE **FLAT RESPONSE DIRECTIONAL COUPLER**

LTR. **A**

DRAWING:



3 SMA/f connectors

General tolerance: ± 0.5 mm

ELECTRICAL CHARACTERISTICS:

FREQUENCY RANGE	: 3.7 - 8.3 GHz
IMPEDANCE	: 50 Ohms
NOMINAL COUPLING	: 10 dB
NOMINAL COUPLING ACCURACY	: ± 0.5 dB
FREQUENCY SENSITIVITY	: ± 0.3 dB
DIRECTIVITY	: 18 dB min
INSERTION LOSS	: 1 dB max.
V.S.W.R.	: 1.25 max.
AVERAGE POWER	: 50 W CW at 25°C
PEAK POWER	: 3 kW (1 μ S, 1%) at 25°C

MECHANICAL CHARACTERISTICS:

CONNECTORS	: SMA female per MIL C 39012
TERMINATION (on isolated port)	: 50 Ω 1 W
MAXIMUM WEIGHT	: 35 g

ENVIRONMENTAL CHARACTERISTICS:

OPERATING TEMPERATURE RANGE	: - 25°C + 85°C
STORAGE TEMPERATURE RANGE	: - 40°C + 100°C

Tentative data subject to change without notice.

PEN CAT	QUALITE OPT. APP. RADIAL P.C.A. ASSURANCE QUALITE BERTHOLET P.					
	PAGE 1/1	DATE 08/08/90	NAME K. LUCIEN	LTR	REVISIONS	DATE

3294-8609