

Anschlußplan 1

Присоединительная схема 1

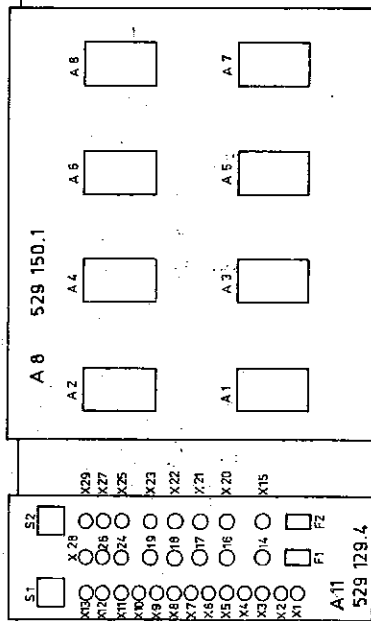
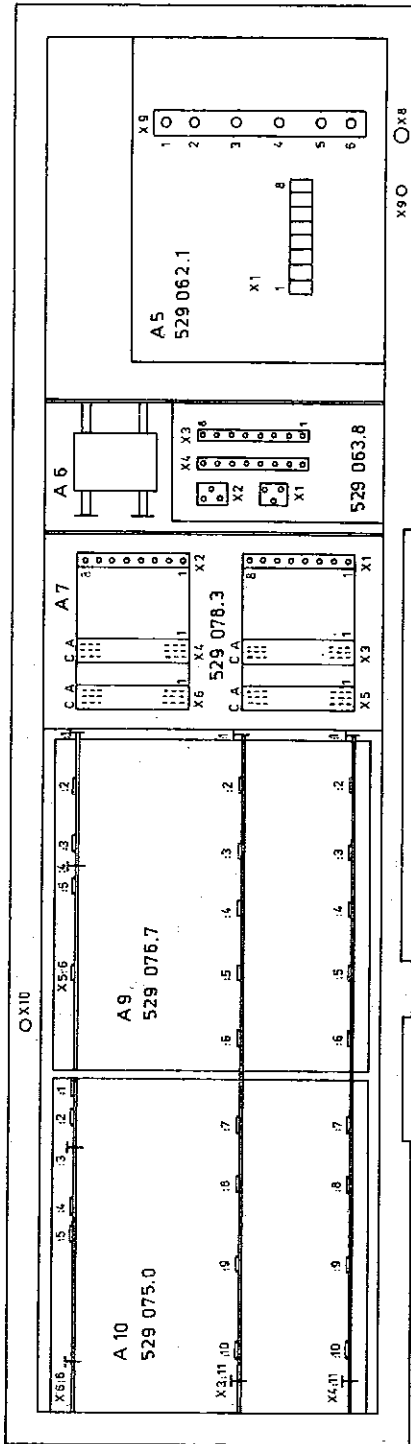
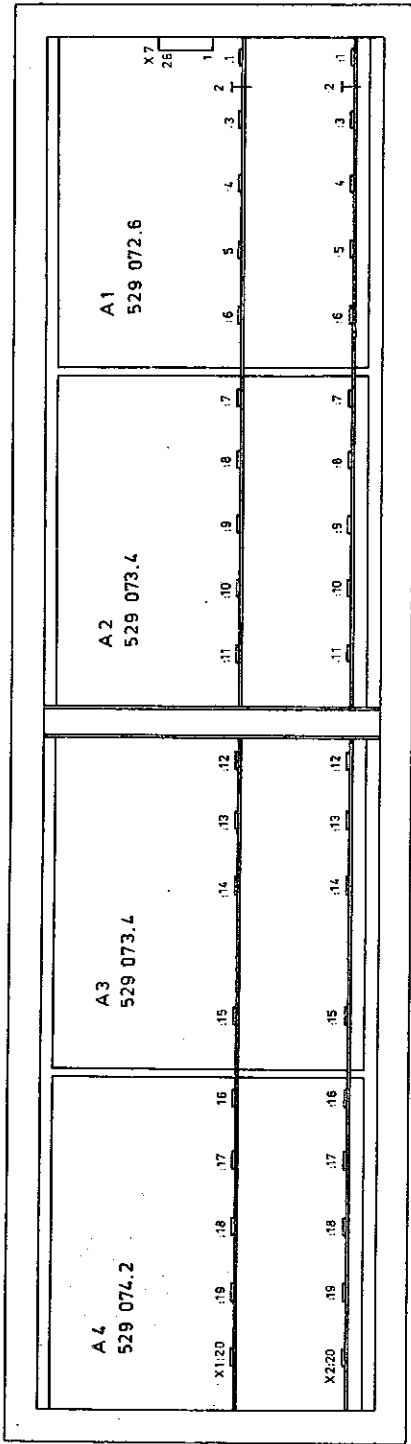
Connection Diagram 1

B

MESSTEIL

529 130.0





Anschlußplan 5  
 Присоединительная схема 5  
 Connection Diagram 5

529 130.0

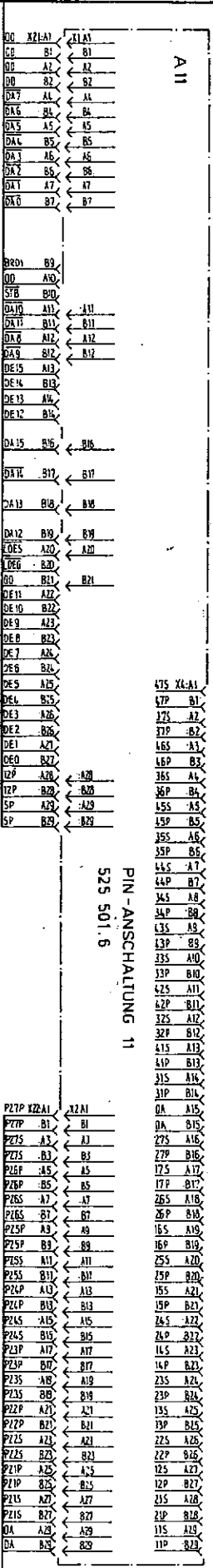
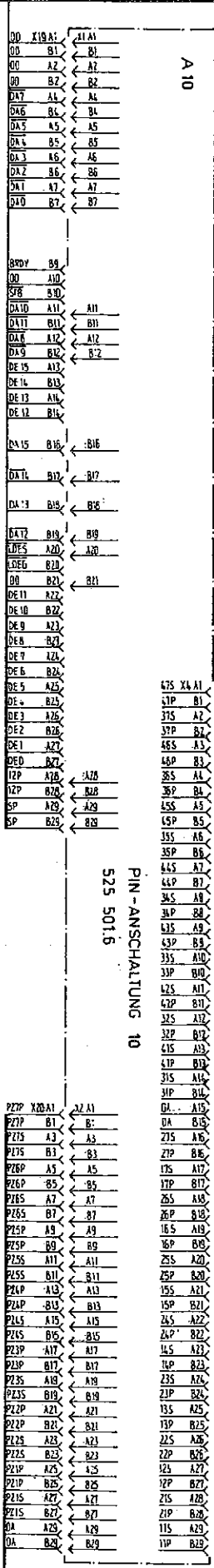
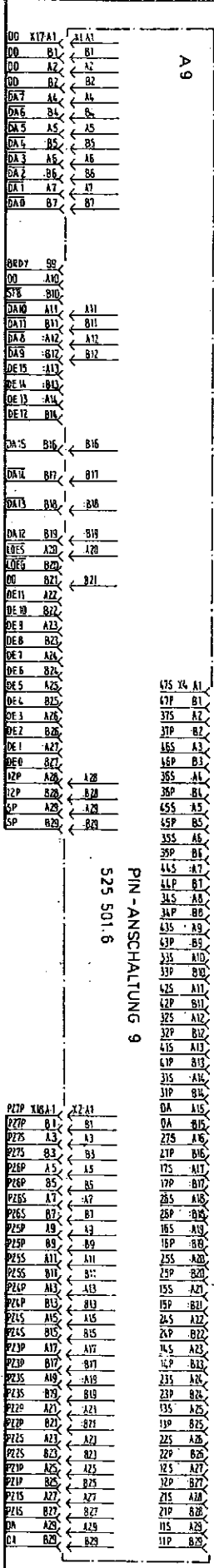
A MESZTEIL



STEUER-BUS

01731

01701



Stromlaufplan 2  
 Schaltplan 2  
 Wiring Diagram 2

0

BUS-VERBINDER PIN  
 525 509.8

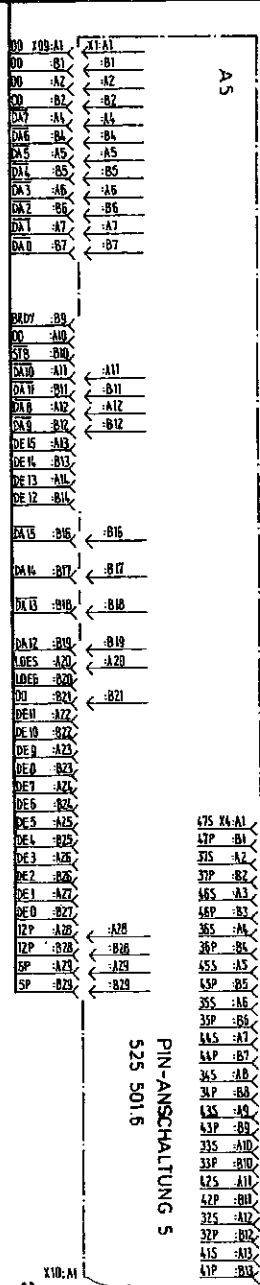
01731

01701

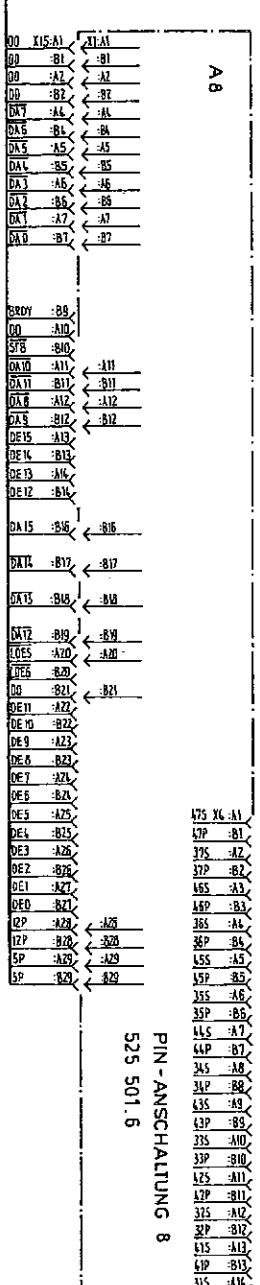
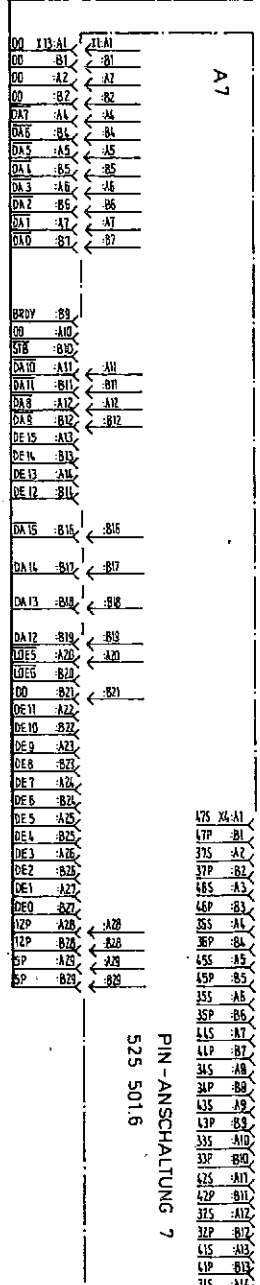
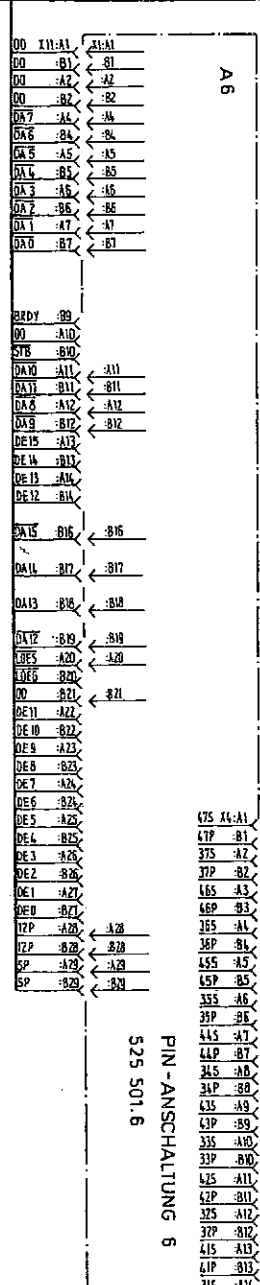
STEUER-BUS

27(4)

27(2)



Stromlaufplan 3  
Штеккерная схема 3  
Wiring Diagram 3  
BUS-VERBINDER PIN  
525 501.6  
525 509.8

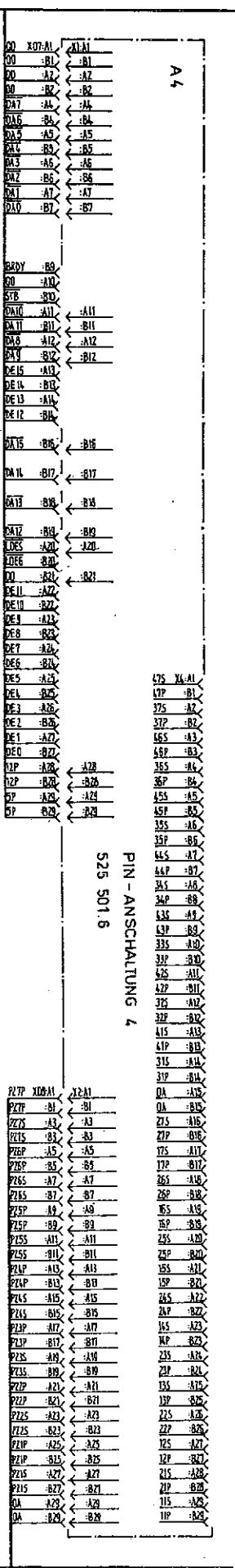
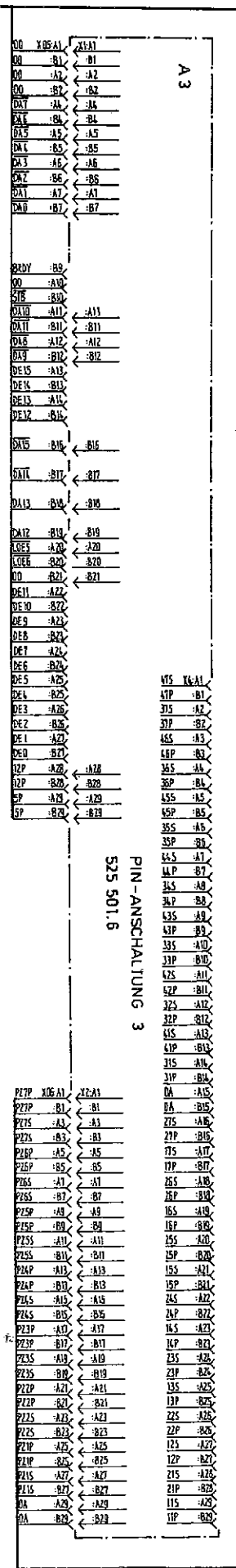
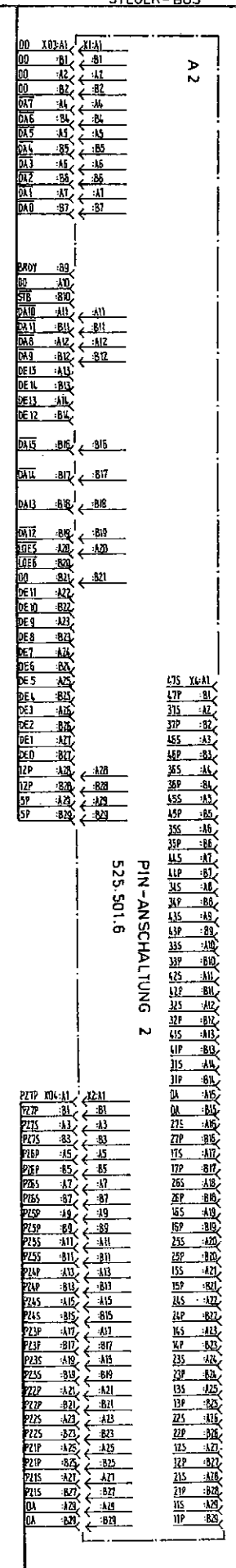
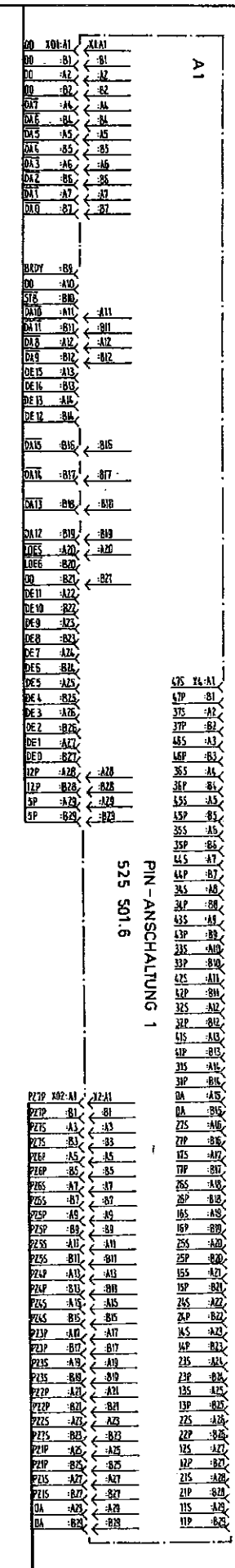


27(2)

STEUER - BUS

8713)

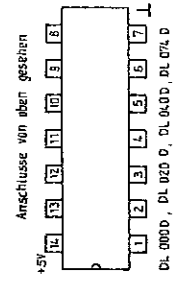
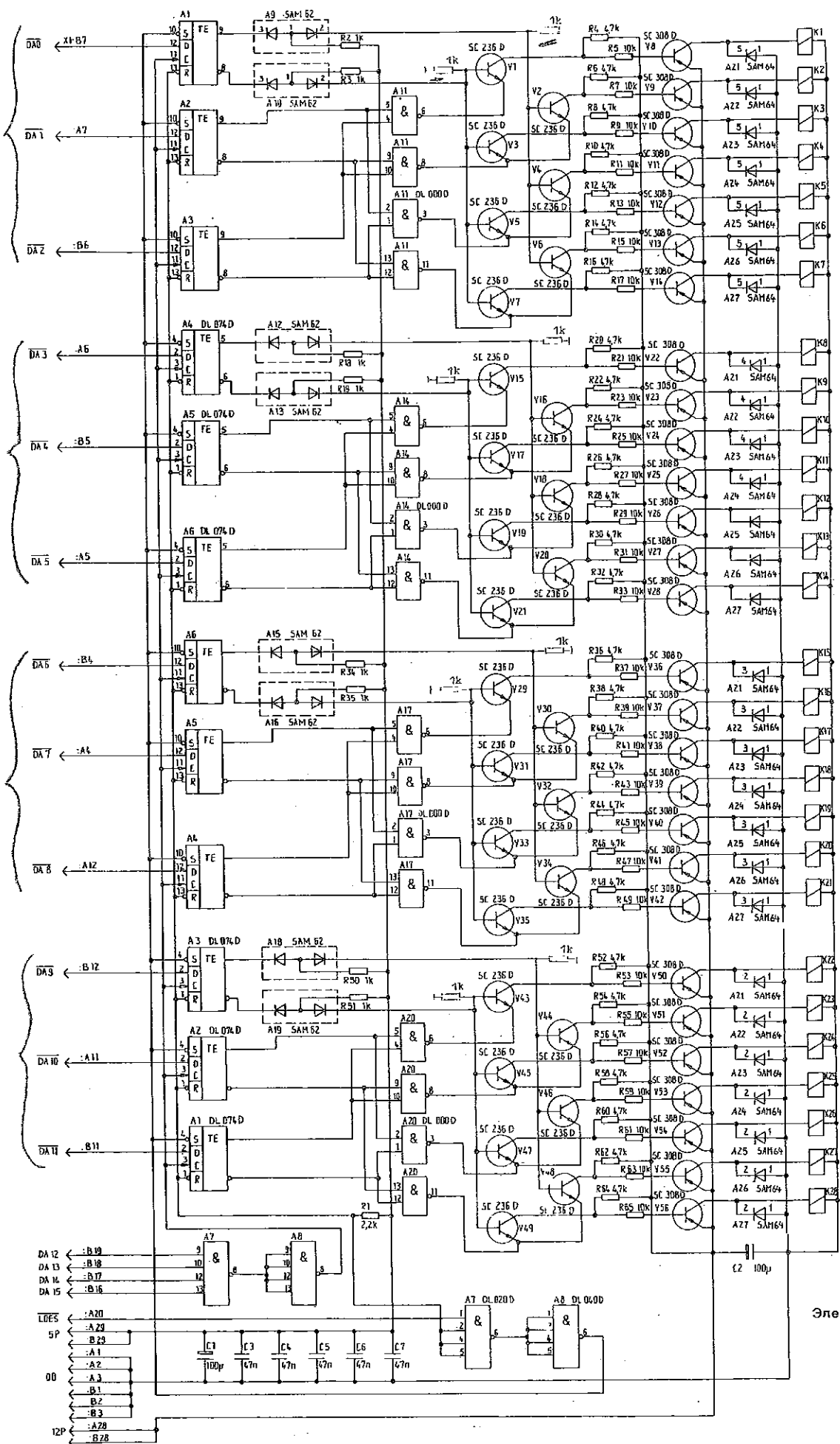
111 SP  
145 SP  
146 SP  
147 SP  
148 SP  
  
149 00  
150 00  
151 00  
152 00  
153 00  
  
154 12P  
155 12P



Stromlaufplan 4  
Электрическая схема 4  
Wiring Diagram 4  
  
BUS-VERBINDER PIN  
525 S09.8

8213)

4 x 5 ans 7 Dekoder



Anschlüsse auf Linsenseite gesehen

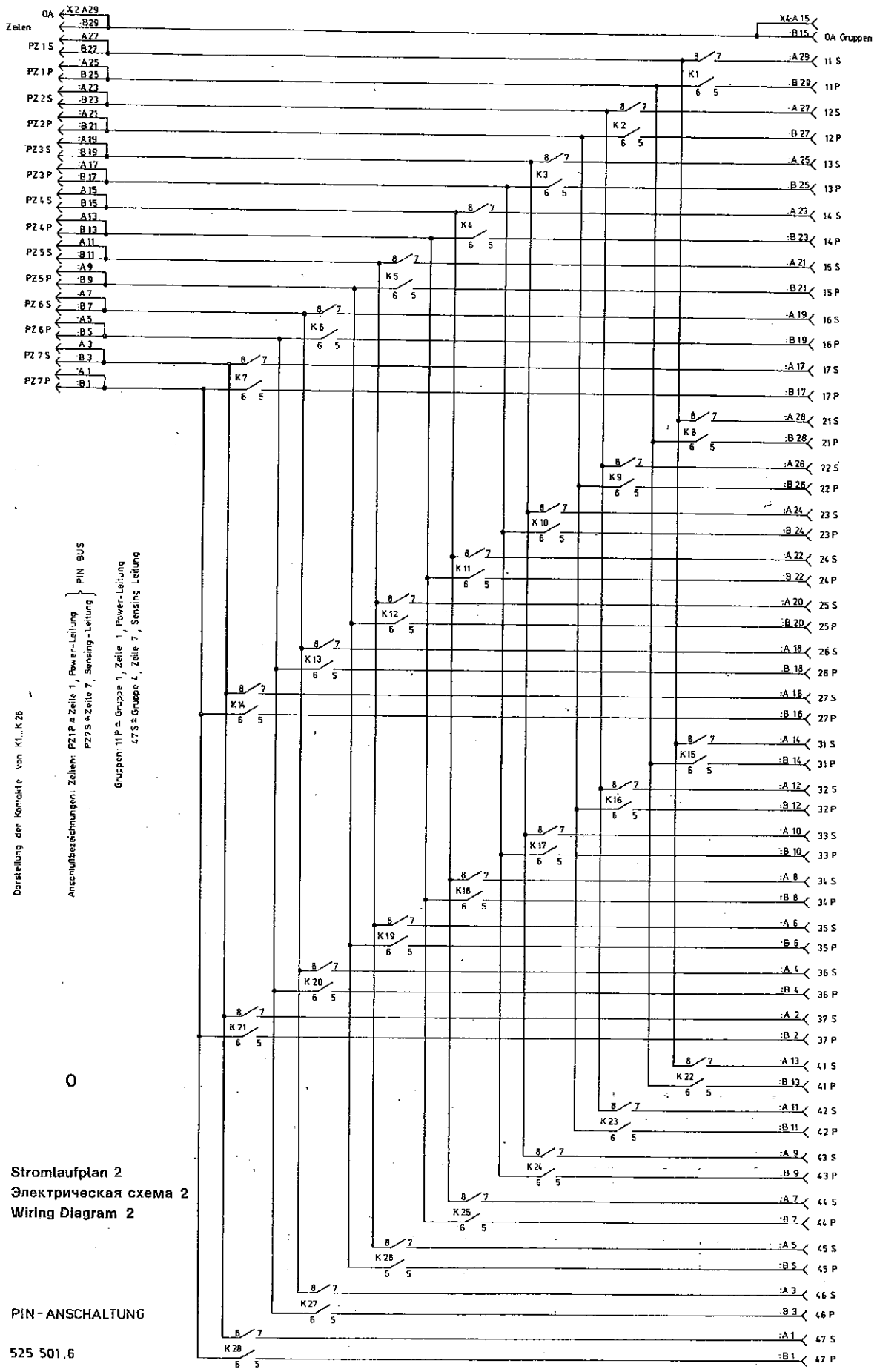


Stromlaufplan 1  
 Электрическая схема 1  
 Wiring Diagram 1

PIN-ANSCHLUNG

525 501.6





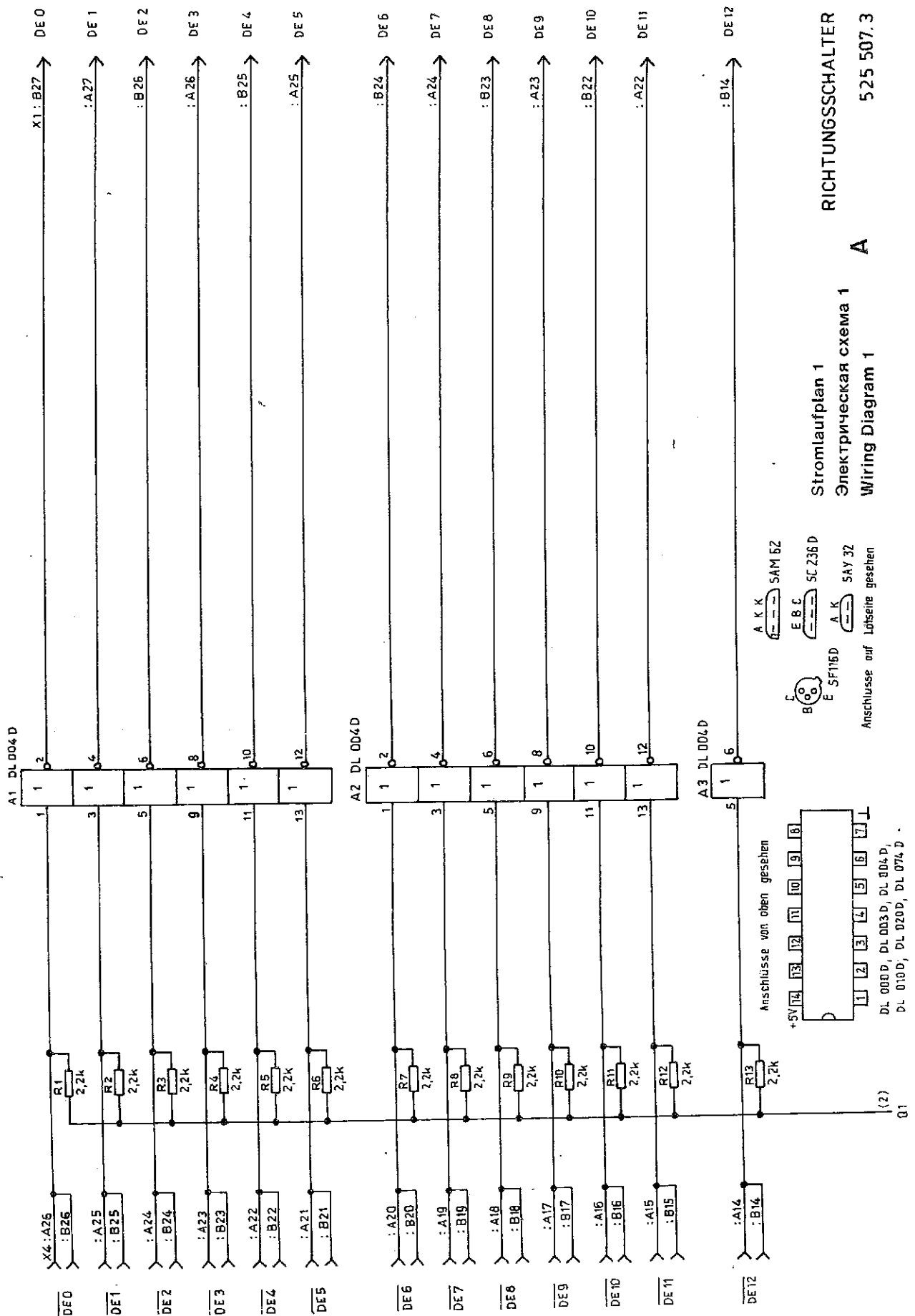
Darstellung der Kontakte von K1...K28

PIN BUS  
Anschlußbezeichnungen: Zellen: PZ1P = Zeile 1, Power-Leitung  
PZ7S = Zeile 7, Sensing -Leitung  
Gruppen: 11P = Gruppe 1, Zeile 1, Power-Leitung  
47S = Gruppe 4, Zeile 7, Sensing -Leitung

Stromlaufplan 2  
Электрическая схема 2  
Wiring Diagram 2

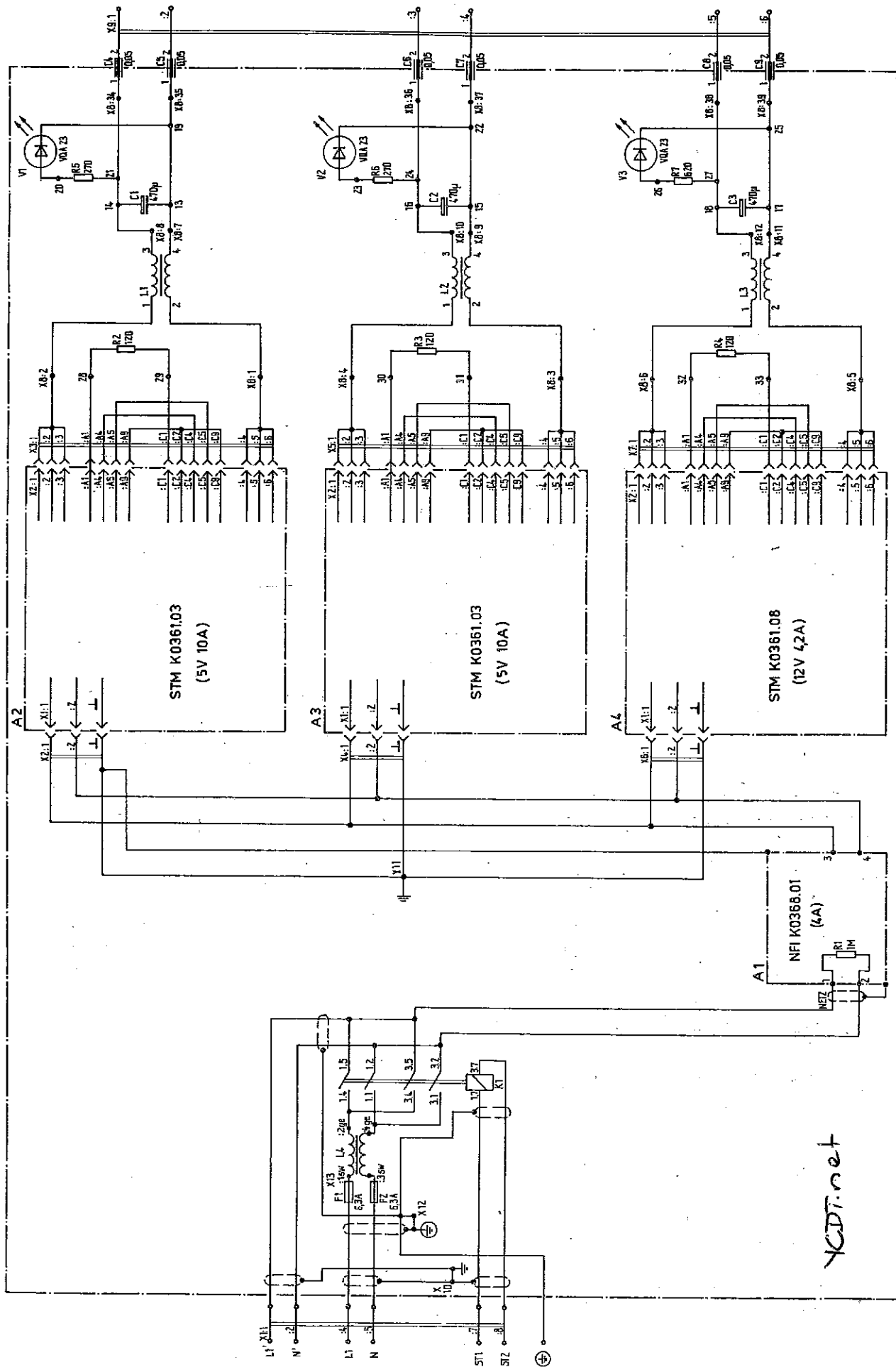
PIN - ANSCHALTUNG

525 501.6



Stromlaufplan 1  
 Электрическая схема 1  
 Wiring Diagram 1

RICHTUNGSSCHALTER  
 A  
 525 507.3

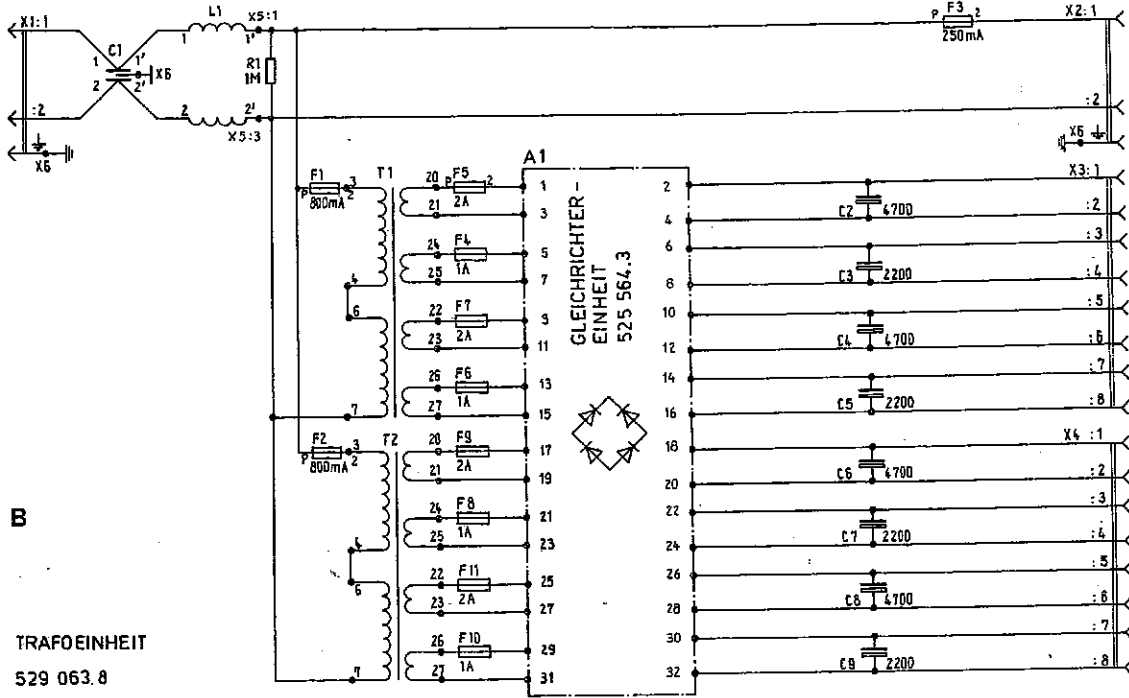


A1 Ansicht auf Anschlüsse

|      |   |   |
|------|---|---|
| Netz | 3 | 4 |
| X1   | 3 | 4 |
| X2   | 3 | 4 |

Stromlaufplan  
Электрическая схема  
Wiring Diagram

YCDT.net



X1

|   |    |
|---|----|
| 1 | L1 |
| 2 | N  |
| ⊕ | PE |

X3

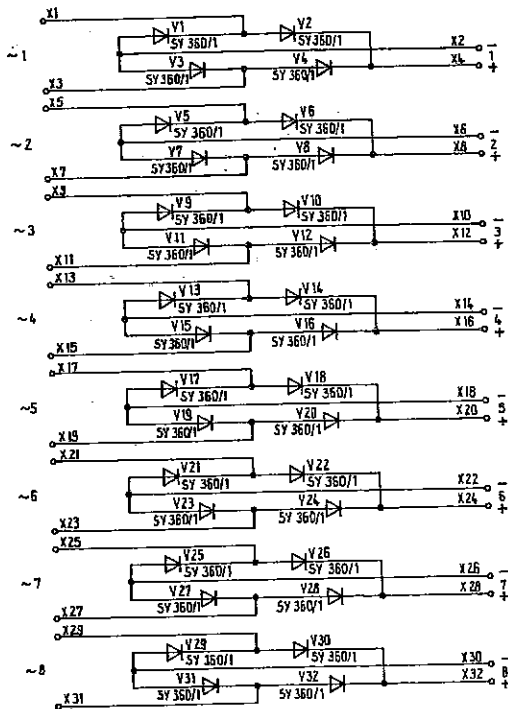
|   |          |
|---|----------|
| 1 | - 30 V   |
| 2 | + (15/1) |
| 3 | - 60 V   |
| 4 | + (36/1) |
| 5 | - 30 V   |
| 6 | + (15/2) |
| 7 | - 60 V   |
| 8 | + (36/2) |

X4

|   |          |
|---|----------|
| 1 | - 30 V   |
| 2 | + (15/3) |
| 3 | - 60 V   |
| 4 | + (36/3) |
| 5 | - 30 V   |
| 6 | + (15/4) |
| 7 | - 60 V   |
| 8 | + (36/4) |

X2

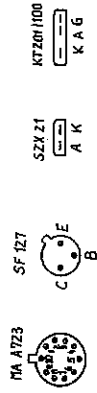
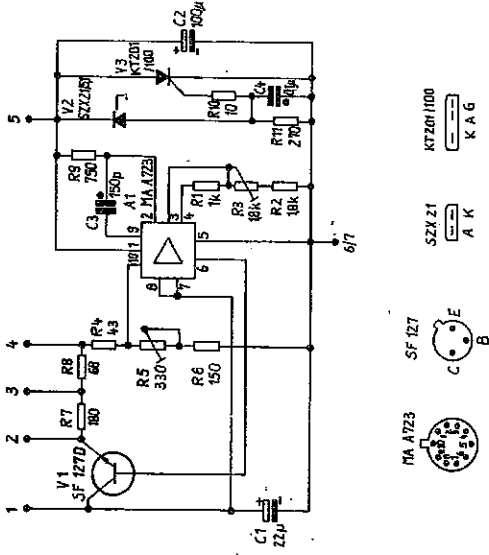
|   |    |
|---|----|
| 1 | L1 |
| 2 | N  |
| ⊕ | PE |



0

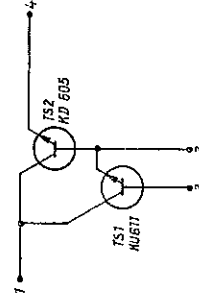
**GLEICHRICHTEREINHEIT**  
525 564.3

**Stromlaufplan**  
**Электрическая схема**  
**Wiring Diagram**

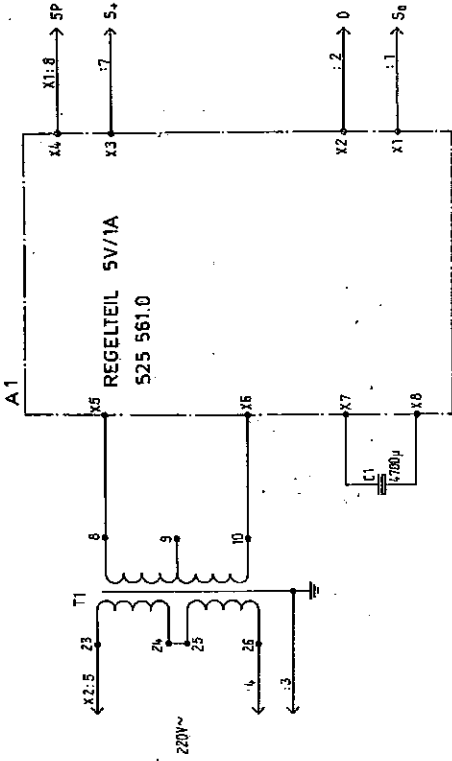


auf die Lötanschlüsse gesehen

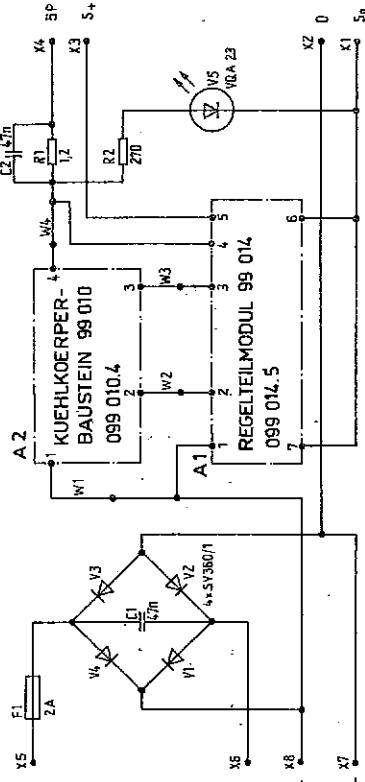
REGELTEILMODUL 99 014  
D 099 014.5



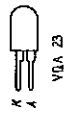
KÜHLKÖRPERBAUSTEIN 99 010/011  
B 099 010.4

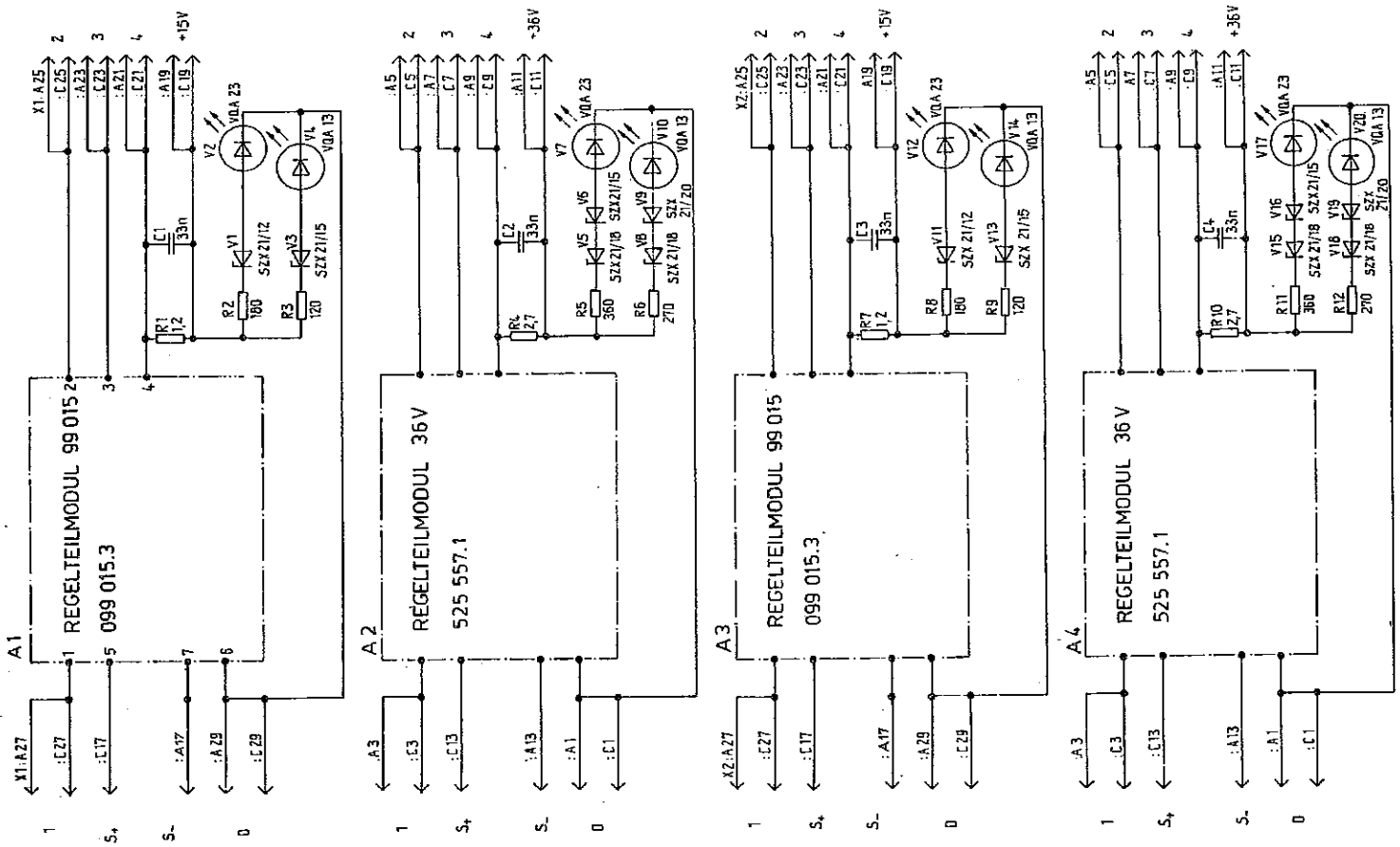


STROMVERSORGUNG 5V/1A  
O 525 566.0

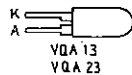
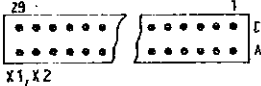


REGELTEIL 5V/1A  
A 525 561.0



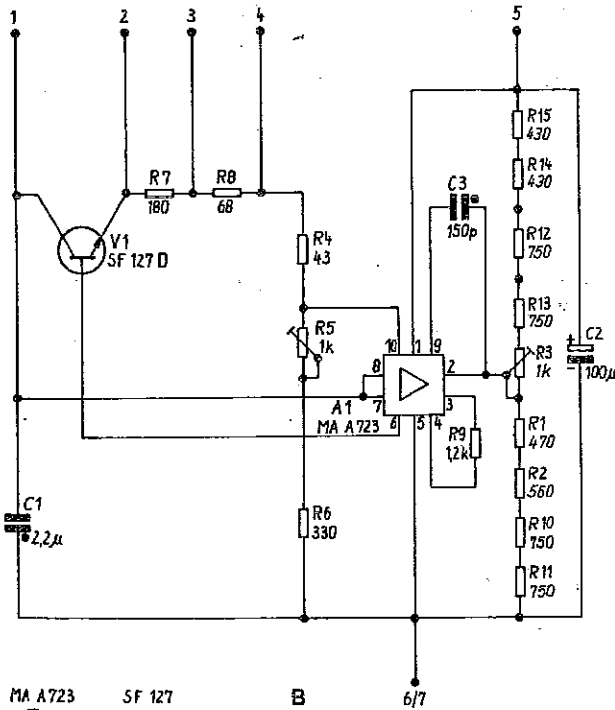


Reihe A kurz abgewinkelt



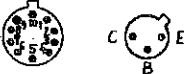
Anschlüsse auf Lötseite gesehen

**B** 525 559.6  
REGELTEIL 15V/36V



MA A 723

SF 127



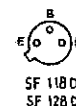
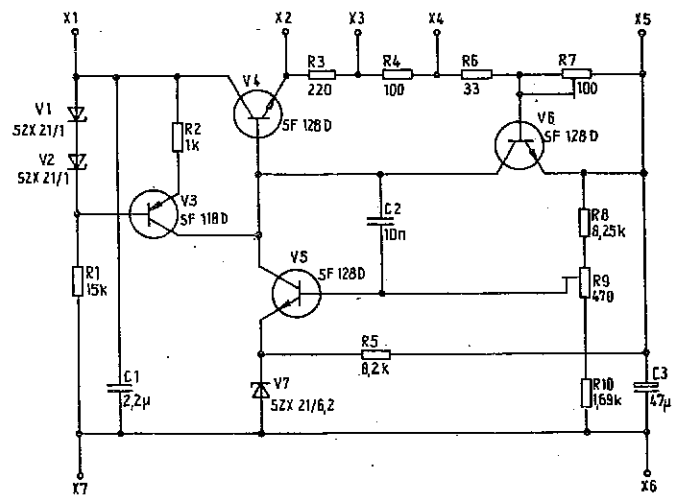
**B**

6/7

REGELTEILMODUL 99 015  
099 015.3

auf die Lötanschlüsse gesehen

**Stromlaufplan**  
**Электрическая схема**  
**Wiring Diagram**



Anschlüsse auf Lötseite gesehen

REGELTEILMODUL 36V  
525 557.1

**O**

STEUER - BUS

91(2)

|      |         |        |
|------|---------|--------|
| 00   | X15 :A1 | X1 :A1 |
| 00   | :B1     | :B1    |
| 00   | :A2     | :A2    |
| 00   | :B2     | :B2    |
| DA7  | :A4     |        |
| DA6  | :B4     | :B4    |
| DA5  | :A5     | :A5    |
| DA4  | :B5     | :B5    |
| DA3  | :A6     | :A6    |
| DA2  | :B6     | :B6    |
| DA1  | :A7     | :A7    |
| DA0  | :B7     | :B7    |
| BRDY | :B0     |        |
| 00   | :A10    |        |
| SYB  | :B10    |        |
| DA10 | :A11    | :A11   |
| DA11 | :B11    | :B11   |
| DA8  | :A12    | :A12   |
| DA9  | :B12    | :B12   |
| DE15 | :A13    |        |
| DE14 | :B13    |        |
| DE13 | :A14    |        |
| DE12 | :B14    |        |
| DA15 | :A15    | :A15   |
| DA16 | :B15    | :B15   |
| DA14 | :A17    | :A17   |
| DA14 | :B17    | :B17   |
| DA13 | :A18    | :A18   |
| DA13 | :B18    | :B18   |
| DA12 | :A19    | :A19   |
| DA12 | :B19    | :B19   |
| LOE5 | :A20    | :A20   |
| LOE6 | :B20    |        |
| 00   | :B21    | :B21   |
| DE11 | :A22    |        |
| DE10 | :B22    |        |
| DE9  | :A23    |        |
| DE8  | :B23    |        |
| DE7  | :A24    |        |
| DE6  | :B24    |        |
| DE5  | :A25    |        |
| DE4  | :B25    |        |
| DE3  | :A26    |        |
| DE2  | :B26    |        |
| DE1  | :A27    |        |
| DE0  | :B27    |        |
| 12P  | :A28    | :A28   |
| 12P  | :B28    | :B28   |
| 5P   | :A29    | :A29   |
| 5P   | :B29    | :B29   |

A7  
MATRIX 1  
525 503.2  
A24

|      |         |       |
|------|---------|-------|
| 00   | X17 :A1 | X1:A1 |
| 00   | :B1     | :B1   |
| 00   | :A2     | :A2   |
| 00   | :B2     | :B2   |
| DA7  | :A4     |       |
| DA6  | :B4     | :B4   |
| DA5  | :A5     | :A5   |
| DA4  | :B5     | :B5   |
| DA3  | :A6     | :A6   |
| DA2  | :B6     | :B6   |
| DA1  | :A7     | :A7   |
| DA0  | :B7     | :B7   |
| BRDY | :B0     |       |
| 00   | :A10    |       |
| SYB  | :B10    |       |
| DA10 | :A11    | :A11  |
| DA11 | :B11    | :B11  |
| DA8  | :A12    | :A12  |
| DA9  | :B12    | :B12  |
| DE15 | :A13    |       |
| DE14 | :B13    |       |
| DE13 | :A14    |       |
| DE12 | :B14    |       |
| DA15 | :A15    | :A15  |
| DA16 | :B15    | :B15  |
| DA14 | :A17    | :A17  |
| DA14 | :B17    | :B17  |
| DA13 | :A18    | :A18  |
| DA13 | :B18    | :B18  |
| DA12 | :A19    | :A19  |
| DA12 | :B19    | :B19  |
| LOE5 | :A20    | :A20  |
| LOE6 | :B20    |       |
| 00   | :B21    | :B21  |
| DE11 | :A22    |       |
| DE10 | :B22    |       |
| DE9  | :A23    |       |
| DE8  | :B23    |       |
| DE7  | :A24    |       |
| DE6  | :B24    |       |
| DE5  | :A25    |       |
| DE4  | :B25    |       |
| DE3  | :A26    |       |
| DE2  | :B26    |       |
| DE1  | :A27    |       |
| DE0  | :B27    |       |
| 12P  | :A28    | :A28  |
| 12P  | :B28    | :B28  |
| 5P   | :A29    | :A29  |
| 5P   | :B29    | :B29  |

A8  
MATRIX 2  
525 503.2  
A25

|      |         |       |
|------|---------|-------|
| 00   | X19 :A1 | X1:A1 |
| 00   | :B1     | :B1   |
| 00   | :A2     | :A2   |
| 00   | :B2     | :B2   |
| DA7  | :A4     |       |
| DA6  | :B4     | :B4   |
| DA5  | :A5     | :A5   |
| DA4  | :B5     | :B5   |
| DA3  | :A6     | :A6   |
| DA2  | :B6     | :B6   |
| DA1  | :A7     | :A7   |
| DA0  | :B7     | :B7   |
| BRDY | :B0     |       |
| 00   | :A10    |       |
| SYB  | :B10    |       |
| DA10 | :A11    | :A11  |
| DA11 | :B11    | :B11  |
| DA8  | :A12    | :A12  |
| DA9  | :B12    | :B12  |
| DE15 | :A13    |       |
| DE14 | :B13    |       |
| DE13 | :A14    |       |
| DE12 | :B14    |       |
| DA15 | :A15    | :A15  |
| DA16 | :B15    | :B15  |
| DA14 | :A17    | :A17  |
| DA14 | :B17    | :B17  |
| DA13 | :A18    | :A18  |
| DA13 | :B18    | :B18  |
| DA12 | :A19    | :A19  |
| DA12 | :B19    | :B19  |
| LOE5 | :A20    | :A20  |
| LOE6 | :B20    |       |
| 00   | :B21    | :B21  |
| DE11 | :A22    |       |
| DE10 | :B22    |       |
| DE9  | :A23    |       |
| DE8  | :B23    |       |
| DE7  | :A24    |       |
| DE6  | :B24    |       |
| DE5  | :A25    |       |
| DE4  | :B25    |       |
| DE3  | :A26    |       |
| DE2  | :B26    |       |
| DE1  | :A27    |       |
| DE0  | :B27    |       |
| 12P  | :A28    | :A28  |
| 12P  | :B28    | :B28  |
| 5P   | :A29    | :A29  |
| 5P   | :B29    | :B29  |

A9  
MATRIX 3  
525 503.2  
A26

|       |         |       |
|-------|---------|-------|
| 00    | X21 :A1 | X1:A1 |
| 00    | :B1     | :B1   |
| 00    | :A2     | :A2   |
| 00    | :B2     | :B2   |
| DB7   | :A4     | :A4   |
| DB6   | :B4     | :B4   |
| DB5   | :A5     | :A5   |
| DB4   | :B5     | :B5   |
| DB3   | :A6     | :A6   |
| DB2   | :B6     | :B6   |
| DB1   | :A7     | :A7   |
| DB0   | :B7     | :B7   |
| RD    | :B0     |       |
| TEB   | :A10    | :A10  |
| LET   | :B10    | :B10  |
| AB6   | :A16    | :A16  |
| AB7   | :B16    | :B16  |
| AB4   | :A17    | :A17  |
| AB5   | :B17    | :B17  |
| AB2   | :A18    | :A18  |
| AB3   | :B18    | :B18  |
| AB0   | :A19    | :A19  |
| AB1   | :B19    | :B19  |
| RESET | :A20    | :A20  |
| CP    | :A21    | :A21  |
| 00    | :B21    | :B21  |
| 00    | :A22    | :A22  |
| 00    | :B22    | :B22  |
| INT   | :B23    | :B23  |
| IO66  | :B24    | :B24  |
| RDY   | :B25    | :B25  |
| MT    | :A26    | :A26  |
| 5P    | :A29    | :A29  |
| 5P    | :B29    | :B29  |

A10  
BUS  
STEUERUNG  
525 545.0  
A27

- OX23
- OX24
- OX25
- OX26
- OX27
- OX28
- OX29
- OX30
- OX31
- OX32
- OX33
- OX34
- OX35
- OX36
- OX37

Anschlussplan 1  
Присоединительная схема 1  
Connection Diagram 1

A

BUS - VERBINDER MAT  
525 511.2

|      |        |        |
|------|--------|--------|
| RXKS | X2 :A1 | X2 :A1 |
| RXKS | :B1    | :B1    |
| RXKS | :A2    | :A2    |
| RXKS | :B2    | :B2    |
| RXK  | :A3    | :A3    |
| RXK  | :B3    | :B3    |
| RXK  | :A4    | :A4    |
| RXK  | :B4    | :B4    |
| RXK  | :A5    | :A5    |
| RXK  | :B5    | :B5    |
| RXK  | :A7    | :A7    |
| RXK  | :B7    | :B7    |
| RXK  | :A9    | :A9    |
| RXK  | :B9    | :B9    |
| RXK  | :A11   | :A11   |
| RXK  | :B11   | :B11   |
| RXK  | :A13   | :A13   |
| RXK  | :B13   | :B13   |
| RXK  | :A15   | :A15   |
| RXK  | :B15   | :B15   |
| RXK  | :A17   | :A17   |
| RXK  | :B17   | :B17   |
| RXK  | :A19   | :A19   |
| RXK  | :B19   | :B19   |
| RXK  | :A21   | :A21   |
| RXK  | :B21   | :B21   |
| RXK  | :A23   | :A23   |
| RXK  | :B23   | :B23   |
| RXK  | :A25   | :A25   |
| RXK  | :B25   | :B25   |
| RXK  | :A26   | :A26   |
| RXK  | :B26   | :B26   |
| RXK  | :A27   | :A27   |
| RXK  | :B27   | :B27   |
| RXK  | :A28   | :A28   |
| RXK  | :B28   | :B28   |
| RXK  | :A29   | :A29   |
| RXK  | :B29   | :B29   |

|      |        |        |
|------|--------|--------|
| ITRS | X2 :A1 | X2 :A1 |
| ITRS | :B1    | :B1    |
| ITRS | :A2    | :A2    |
| ITRS | :B2    | :B2    |
| ITR  | :A3    | :A3    |
| ITR  | :B3    | :B3    |
| ITR  | :A4    | :A4    |
| ITR  | :B4    | :B4    |
| ITR  | :A5    | :A5    |
| ITR  | :B5    | :B5    |
| ITR  | :A7    | :A7    |
| ITR  | :B7    | :B7    |
| ITR  | :A9    | :A9    |
| ITR  | :B9    | :B9    |
| ITR  | :A11   | :A11   |
| ITR  | :B11   | :B11   |
| ITR  | :A13   | :A13   |
| ITR  | :B13   | :B13   |
| ITR  | :A15   | :A15   |
| ITR  | :B15   | :B15   |
| ITR  | :A17   | :A17   |
| ITR  | :B17   | :B17   |
| ITR  | :A19   | :A19   |
| ITR  | :B19   | :B19   |
| ITR  | :A21   | :A21   |
| ITR  | :B21   | :B21   |
| ITR  | :A23   | :A23   |
| ITR  | :B23   | :B23   |
| ITR  | :A25   | :A25   |
| ITR  | :B25   | :B25   |
| ITR  | :A26   | :A26   |
| ITR  | :B26   | :B26   |
| ITR  | :A27   | :A27   |
| ITR  | :B27   | :B27   |
| ITR  | :A28   | :A28   |
| ITR  | :B28   | :B28   |
| ITR  | :A29   | :A29   |
| ITR  | :B29   | :B29   |

|      |        |        |
|------|--------|--------|
| S2S3 | X2 :A1 | X2 :A1 |
| S2S3 | :B1    | :B1    |
| S2S3 | :A2    | :A2    |
| S2S3 | :B2    | :B2    |
| S2S3 | :A3    | :A3    |
| S2S3 | :B3    | :B3    |
| S2S3 | :A4    | :A4    |
| S2S3 | :B4    | :B4    |
| S2S3 | :A5    | :A5    |
| S2S3 | :B5    | :B5    |
| S2S3 | :A7    | :A7    |
| S2S3 | :B7    | :B7    |
| S2S3 | :A9    | :A9    |
| S2S3 | :B9    | :B9    |
| S2S3 | :A11   | :A11   |
| S2S3 | :B11   | :B11   |
| S2S3 | :A13   | :A13   |
| S2S3 | :B13   | :B13   |
| S2S3 | :A15   | :A15   |
| S2S3 | :B15   | :B15   |
| S2S3 | :A17   | :A17   |
| S2S3 | :B17   | :B17   |
| S2S3 | :A19   | :A19   |
| S2S3 | :B19   | :B19   |
| S2S3 | :A21   | :A21   |
| S2S3 | :B21   | :B21   |
| S2S3 | :A23   | :A23   |
| S2S3 | :B23   | :B23   |
| S2S3 | :A25   | :A25   |
| S2S3 | :B25   | :B25   |
| S2S3 | :A26   | :A26   |
| S2S3 | :B26   | :B26   |
| S2S3 | :A27   | :A27   |
| S2S3 | :B27   | :B27   |
| S2S3 | :A28   | :A28   |
| S2S3 | :B28   | :B28   |
| S2S3 | :A29   | :A29   |
| S2S3 | :B29   | :B29   |

|      |         |        |
|------|---------|--------|
| SP   | X22 :A1 | X2 :A1 |
| SP   | :B1     | :B1    |
| LOE6 | :B5     | :B5    |
| LOE5 | :A7     | :A7    |
| DA1  | :A8     | :A8    |
| DA0  | :B8     | :B8    |
| DA3  | :A9     | :A9    |
| DA2  | :B9     | :B9    |
| DA5  | :A10    | :A10   |
| DA4  | :B10    | :B10   |
| DA7  | :A11    | :A11   |
| DA6  | :B11    | :B11   |
| DA9  | :A12    | :A12   |
| DA8  | :B12    | :B12   |
| DA11 | :A13    | :A13   |
| DA10 | :B13    | :B13   |
| DA12 | :A14    | :A14   |
| DA13 | :B14    | :B14   |
| DA15 | :A15    | :A15   |
| DA14 | :B15    | :B15   |
| DA16 | :A16    | :A16   |
| DA17 | :B16    | :B16   |
| DA18 | :A17    | :A17   |
| DA19 | :B17    | :B17   |
| BRDY | :A18    | :A18   |
| SYB  | :A19    | :A19   |
| SYB  | :B19    | :B19   |
| DE1  | :A20    | :A20   |
| DE0  | :B20    | :B20   |
| DE3  | :A21    | :A21   |
| DE2  | :B21    | :B21   |
| DE5  | :A22    | :A22   |
| DE4  | :B22    | :B22   |
| DE7  | :A23    | :A23   |
| DE6  | :B23    | :B23   |
| DE9  | :A24    | :A24   |
| DE8  | :B24    | :B24   |
| DE11 | :A25    | :A25   |
| DE10 | :B25    | :B25   |
| DE12 | :A26    | :A26   |
| DE13 | :B26    | :B26   |
| DE15 | :A27    | :A27   |
| DE14 | :B27    | :B27   |
| DE16 | :A28    | :A28   |
| DE17 | :B28    | :B28   |
| DE19 | :A29    | :A29   |
| DE18 | :B29    | :B29   |
| DA1  | :A29    | :A29   |
| DA0  | :B29    | :B29   |

92(2)  
93(2)  
91(2)

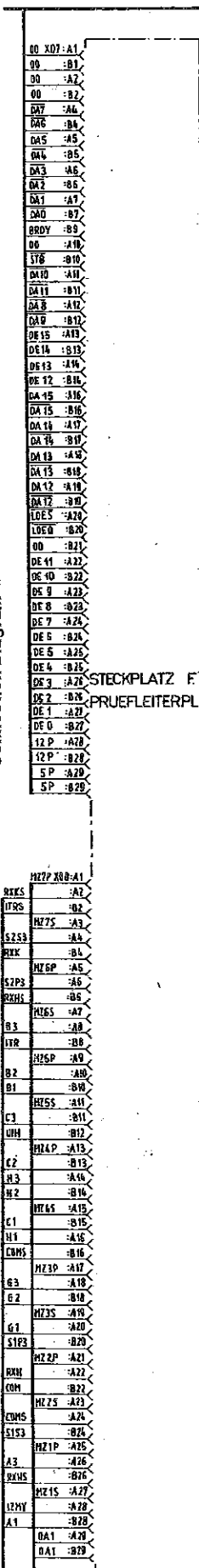
MESZ - BUS  
START PINS (DE0)

MATRIX - BUS

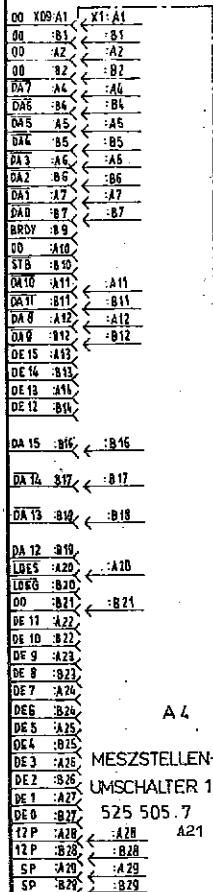
Anschlußplan 2  
Присоединительная схема 2  
Connection Diagram 2

A

BUS - VERBINDER MAT  
525 511. 2

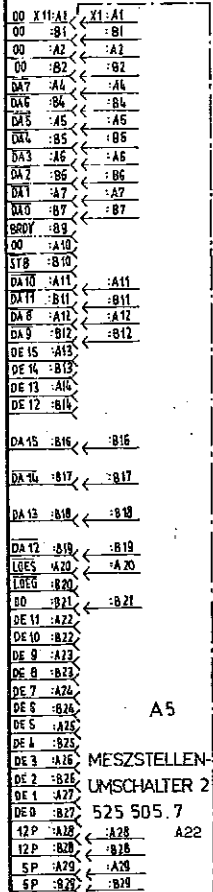


STECKPLATZ F  
PRUEFLEITERPL.



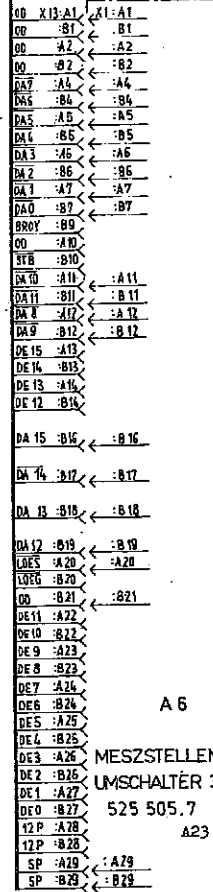
A4

MESZSTELLEN-  
UMSCHALTER 1  
525 505. 7  
A21



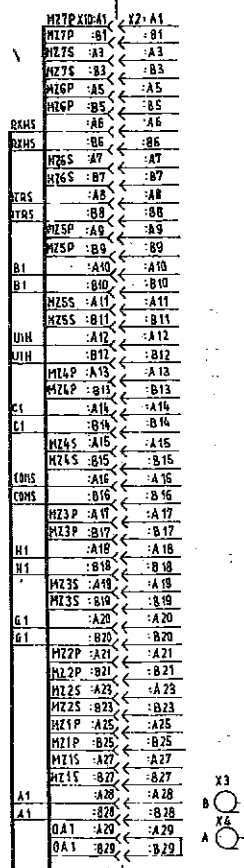
A5

MESZSTELLEN-  
UMSCHALTER 2  
525 505. 7  
A22



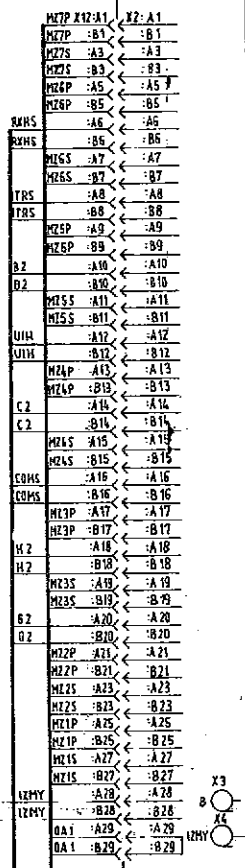
A6

MESZSTELLEN-  
UMSCHALTER 3  
525 505. 7  
A23



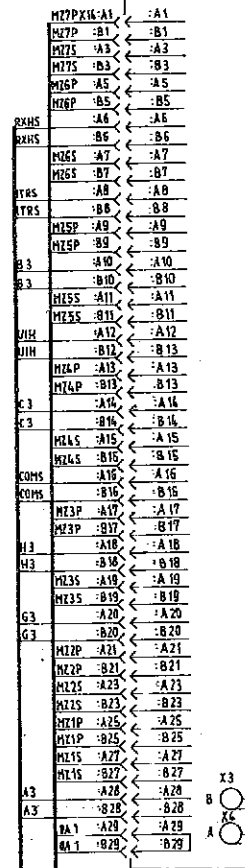
A4

MESZ-BUS  
START MKS (DE0)  
MATRIX - BUS



A5

MESZ-BUS  
START MKS (DE0)  
MATRIX - BUS



A6

MESZ-BUS  
START MKS (DE0)  
MATRIX - BUS



STEUER - BUS

Q1(7)

X 380 5P  
 X 390 5P  
 X 400 5P  
 X 410 5P  
 X 420 5P  
 X 430 00  
 X 440 00  
 X 450 00  
 X 460 00  
 X 470 00  
 X 480 12P  
 X 490 12P

|      |        |       |
|------|--------|-------|
| 00   | X01:A1 | X1:A1 |
| 00   | B1     | B1    |
| 00   | A2     | A2    |
| 00   | B2     | B2    |
| DA7  | A4     | A4    |
| DA6  | B4     | B4    |
| DA5  | A5     | A5    |
| DA4  | B5     | B5    |
| DA3  | A6     | A6    |
| DA2  | B6     | B6    |
| DA1  | A7     | A7    |
| DA0  | B7     | B7    |
| BRDY | B9     | B9    |
| 00   | A10    | A10   |
| STB  | B10    | B10   |
| DA10 | A11    | A11   |
| DA11 | B11    | B11   |
| DA8  | A12    | A12   |
| DA9  | B12    | B12   |
| DE15 | A13    | A13   |
| DE14 | B13    | B13   |
| DE13 | A14    | A14   |
| DE12 | B14    | B14   |
| DA15 | A16    | A16   |
| DA15 | B16    | B16   |
| DA14 | A17    | A17   |
| DA14 | B17    | B17   |
| DA13 | A18    | A18   |
| DA13 | B18    | B18   |
| DA12 | A19    | A19   |
| DA12 | B19    | B19   |
| LOE5 | A20    | A20   |
| LOE6 | B20    | B20   |
| 00   | B21    | B21   |
| DE11 | A22    | A22   |
| DE10 | B22    | B22   |
| DE9  | A23    | A23   |
| DE8  | B23    | B23   |
| DE7  | A24    | A24   |
| DE6  | B24    | B24   |
| DE5  | A25    | A25   |
| DE4  | B25    | B25   |
| DE3  | A26    | A26   |
| DE2  | B26    | B26   |
| DE1  | A27    | A27   |
| DE0  | B27    | B27   |
| 12P  | A28    | A28   |
| 12P  | B28    | B28   |
| 5P   | A29    | A29   |
| 5P   | B29    | B29   |

A1

STROM-  
 MESSER  
 525 539.5  
 A18

Anschlußplan 3  
 Присоединительная схема 3  
 Connection Diagram 3

A

BUS-VERBINDER MA7  
 525 511.2

X 560 36N1  
 X 550 36P1  
 X 540 5P1  
 X 530 15N1  
 X 520 CA1  
 X 510 OA1  
 X 500 OA1

|      |        |       |
|------|--------|-------|
| 15P1 | X02:A3 | X2:A3 |
| 15P1 | B3     | B3    |
| 15N1 | A4     | A4    |
| 15N1 | B4     | B4    |
| RXKS | A7     | A7    |
| RXKS | B7     | B7    |
| RXK  | A8     | A8    |
| RXK  | B8     | B8    |
| RXHF | A10    | A10   |
| RXHF | B10    | B10   |
| RXH  | A15    | A15   |
| RXH  | B15    | B15   |
| RXHS | A16    | A16   |
| RXHS | B16    | B16   |
| COM  | A20    | A20   |
| COM  | B20    | B20   |
| COMS | A21    | A21   |
| COMS | B21    | B21   |
| U1H  | A23    | A23   |
| U1H  | B23    | B23   |
| DA1  | A27    | A27   |
| DA1  | B27    | B27   |
| CA1  | A28    | A28   |
| CA1  | B28    | B28   |

|      |        |       |
|------|--------|-------|
| 00   | X03:A1 | X1:A1 |
| 00   | B1     | B1    |
| 00   | A2     | A2    |
| 00   | B2     | B2    |
| DA7  | A4     | A4    |
| DA6  | B4     | B4    |
| DA5  | A5     | A5    |
| DA4  | B5     | B5    |
| DA3  | A6     | A6    |
| DA2  | B6     | B6    |
| DA1  | A7     | A7    |
| DA0  | B7     | B7    |
| BRDY | B9     | B9    |
| 00   | A10    | A10   |
| STB  | B10    | B10   |
| DA10 | A11    | A11   |
| DA11 | B11    | B11   |
| DA8  | A12    | A12   |
| DA9  | B12    | B12   |
| DE15 | A13    | A13   |
| DE14 | B13    | B13   |
| DE13 | A14    | A14   |
| DE12 | B14    | B14   |
| DA15 | A16    | A16   |
| DA15 | B16    | B16   |
| DA14 | A17    | A17   |
| DA14 | B17    | B17   |
| DA13 | A18    | A18   |
| DA13 | B18    | B18   |
| DA12 | A19    | A19   |
| DA12 | B19    | B19   |
| LOE5 | A20    | A20   |
| LOE6 | B20    | B20   |
| 00   | B21    | B21   |
| DE11 | A22    | A22   |
| DE10 | B22    | B22   |
| DE9  | A23    | A23   |
| DE8  | B23    | B23   |
| DE7  | A24    | A24   |
| DE6  | B24    | B24   |
| DE5  | A25    | A25   |
| DE4  | B25    | B25   |
| DE3  | A26    | A26   |
| DE2  | B26    | B26   |
| DE1  | A27    | A27   |
| DE0  | B27    | B27   |
| 12P  | A28    | A28   |
| 12P  | B28    | B28   |
| 5P   | A29    | A29   |
| 5P   | B29    | B29   |

A2

ZUSATZ -  
 QUELLE  
 525 543.4  
 A19

|      |        |       |
|------|--------|-------|
| 36P1 | X04:A2 | X2:A2 |
| 36P1 | B2     | B2    |
| 15P1 | A3     | A3    |
| 15P1 | B3     | B3    |
| 15N1 | A4     | A4    |
| 15N1 | B4     | B4    |
| 36H1 | A5     | A5    |
| 36H1 | B5     | B5    |
| RXKS | A7     | A7    |
| RXKS | B7     | B7    |
| RXK  | A8     | A8    |
| RXK  | B8     | B8    |
| RXHF | A10    | A10   |
| RXHF | B10    | B10   |
| RXH  | A15    | A15   |
| RXH  | B15    | B15   |
| RXHS | A16    | A16   |
| RXHS | B16    | B16   |
| COM  | A20    | A20   |
| COM  | B20    | B20   |
| COMS | A21    | A21   |
| COMS | B21    | B21   |
| U1H  | A23    | A23   |
| U1H  | B23    | B23   |
| ITRS | A24    | A24   |
| ITRS | B24    | B24   |
| ITR  | A25    | A25   |
| ITR  | B25    | B25   |
| DA1  | A27    | A27   |
| DA1  | B27    | B27   |
| CA1  | A28    | A28   |
| CA1  | B28    | B28   |

MESZ-BUS

|      |        |       |
|------|--------|-------|
| 00   | X05:A1 | X1:A1 |
| 00   | B1     | B1    |
| 00   | A2     | A2    |
| 00   | B2     | B2    |
| DA7  | A4     | A4    |
| DA6  | B4     | B4    |
| DA5  | A5     | A5    |
| DA4  | B5     | B5    |
| DA3  | A6     | A6    |
| DA2  | B6     | B6    |
| DA1  | A7     | A7    |
| DA0  | B7     | B7    |
| BRDY | B9     | B9    |
| 00   | A10    | A10   |
| STB  | B10    | B10   |
| DA10 | A11    | A11   |
| DA11 | B11    | B11   |
| DA8  | A12    | A12   |
| DA9  | B12    | B12   |
| DE15 | A13    | A13   |
| DE14 | B13    | B13   |
| DE13 | A14    | A14   |
| DE12 | B14    | B14   |
| DA15 | A16    | A16   |
| DA15 | B16    | B16   |
| DA14 | A17    | A17   |
| DA14 | B17    | B17   |
| DA13 | A18    | A18   |
| DA13 | B18    | B18   |
| DA12 | A19    | A19   |
| DA12 | B19    | B19   |
| LOE5 | A20    | A20   |
| LOE6 | B20    | B20   |
| 00   | B21    | B21   |
| DE11 | A22    | A22   |
| DE10 | B22    | B22   |
| DE9  | A23    | A23   |
| DE8  | B23    | B23   |
| DE7  | A24    | A24   |
| DE6  | B24    | B24   |
| DE5  | A25    | A25   |
| DE4  | B25    | B25   |
| DE3  | A26    | A26   |
| DE2  | B26    | B26   |
| DE1  | A27    | A27   |
| DE0  | B27    | B27   |
| 12P  | A28    | A28   |
| 12P  | B28    | B28   |
| 5P   | A29    | A29   |
| 5P   | B29    | B29   |

A3

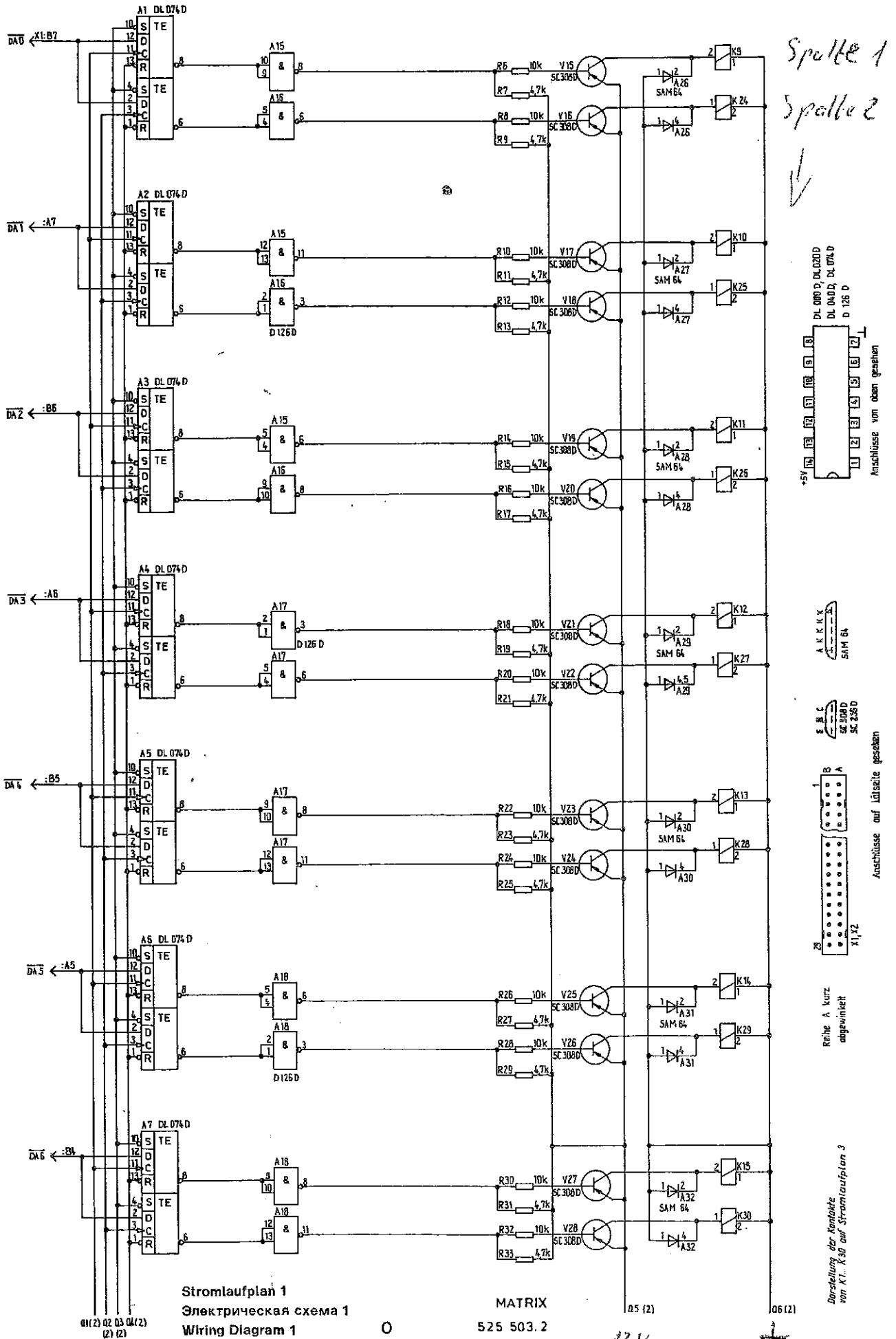
SIGNAL-  
 GENERATOR  
 525 534.6  
 A20

|       |        |       |
|-------|--------|-------|
| 36P1  | X06:A2 | X2:A2 |
| 36P1  | B2     | B2    |
| 15P1  | A3     | A3    |
| 15P1  | B3     | B3    |
| 15N1  | A4     | A4    |
| 15N1  | B4     | B4    |
| 36H1  | A5     | A5    |
| 36H1  | B5     | B5    |
| RXKS  | A7     | A7    |
| RXKS  | B7     | B7    |
| RXK   | A8     | A8    |
| RXK   | B8     | B8    |
| RXHF  | A10    | A10   |
| RXHF  | B10    | B10   |
| STMK3 | B12    | B12   |
| STAX  | A14    | A14   |
| STAX  | B14    | B14   |
| RXH   | A15    | A15   |
| RXH   | B15    | B15   |
| RXHS  | A16    | A16   |
| RXHS  | B16    | B16   |
| RXHS  | A17    | A17   |
| RXHS  | B17    | B17   |
| COM   | A20    | A20   |
| COM   | B20    | B20   |
| COMS  | A21    | A21   |
| COMS  | B21    | B21   |
| U1H   | A23    | A23   |
| U1H   | B23    | B23   |
| ITRS  | A24    | A24   |
| ITRS  | B24    | B24   |
| ITR   | A25    | A25   |
| ITR   | B25    | B25   |
| DA1   | A27    | A27   |
| DA1   | B27    | B27   |
| CA1   | A28    | A28   |
| CA1   | B28    | B28   |

X57

START MKS (DE0)

Q.2(1)  
Q.3(2)



Stromlaufplan 1  
Электрическая схема 1  
Wiring Diagram 1

MATRIX  
525 503.2

12V

DL 074 D  
DL 074 D  
DL 074 D  
D 126 D

Spalte 1  
Spalte 2  
↓

DL 074 D  
DL 074 D  
DL 074 D  
D 126 D

A K K K  
SAM 64

S C C  
SC 308 D  
SC 308 D

B A  
A B

1 2 3 4 5 6 7 8 9 10 11 12 13 14 15 16 17 18 19 20 21 22 23 24 25 26 27 28

Reihe A kurz abgegrünert

Darstellung der Kontakte von K1...K30 auf Stromlaufplan 3

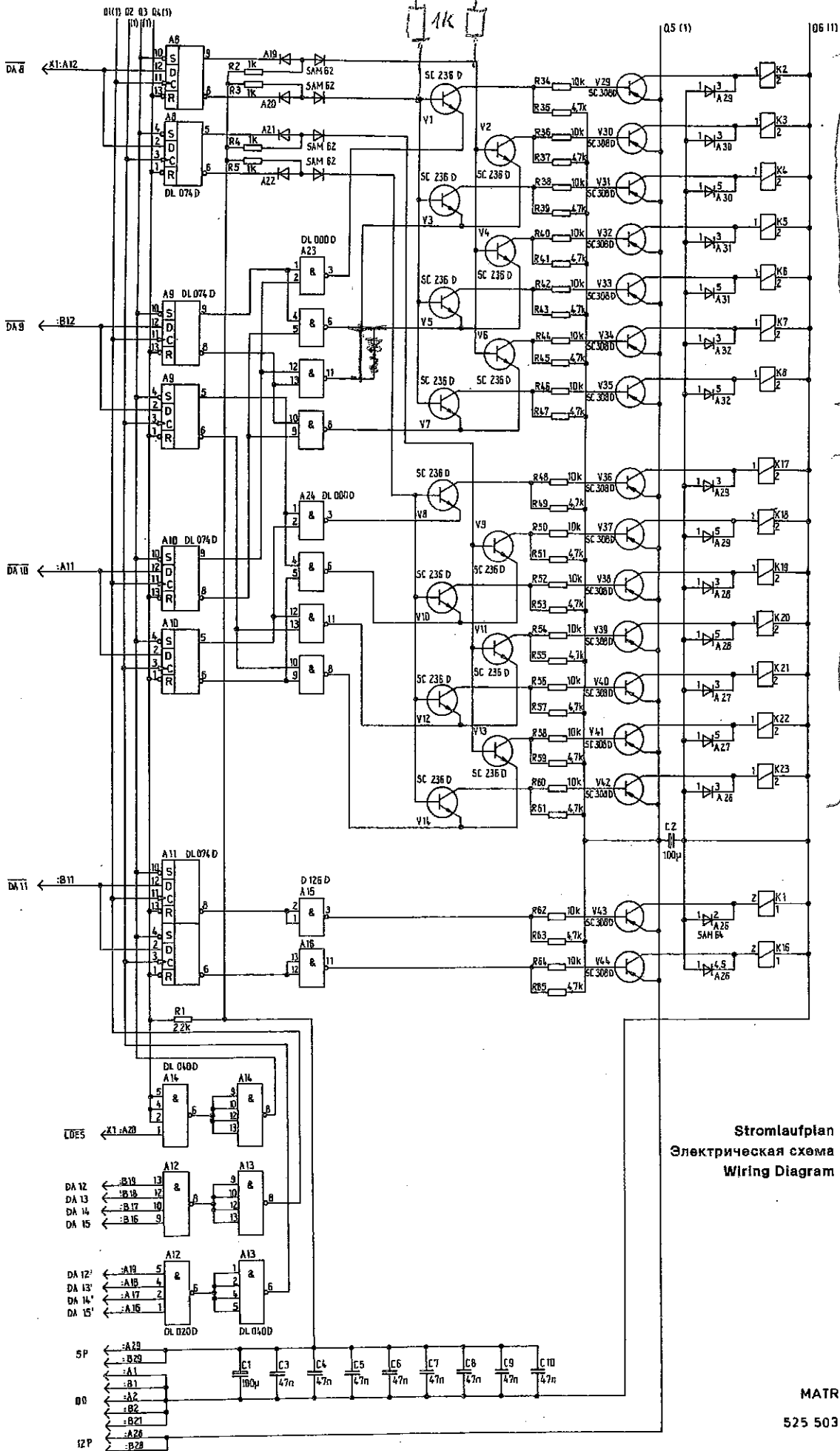
Anschlüsse vom oben gesehen

Anschlüsse auf lässseite gesehen

01(2) 02 03 04(2) (2) (2)

05 (2)

06 (2)

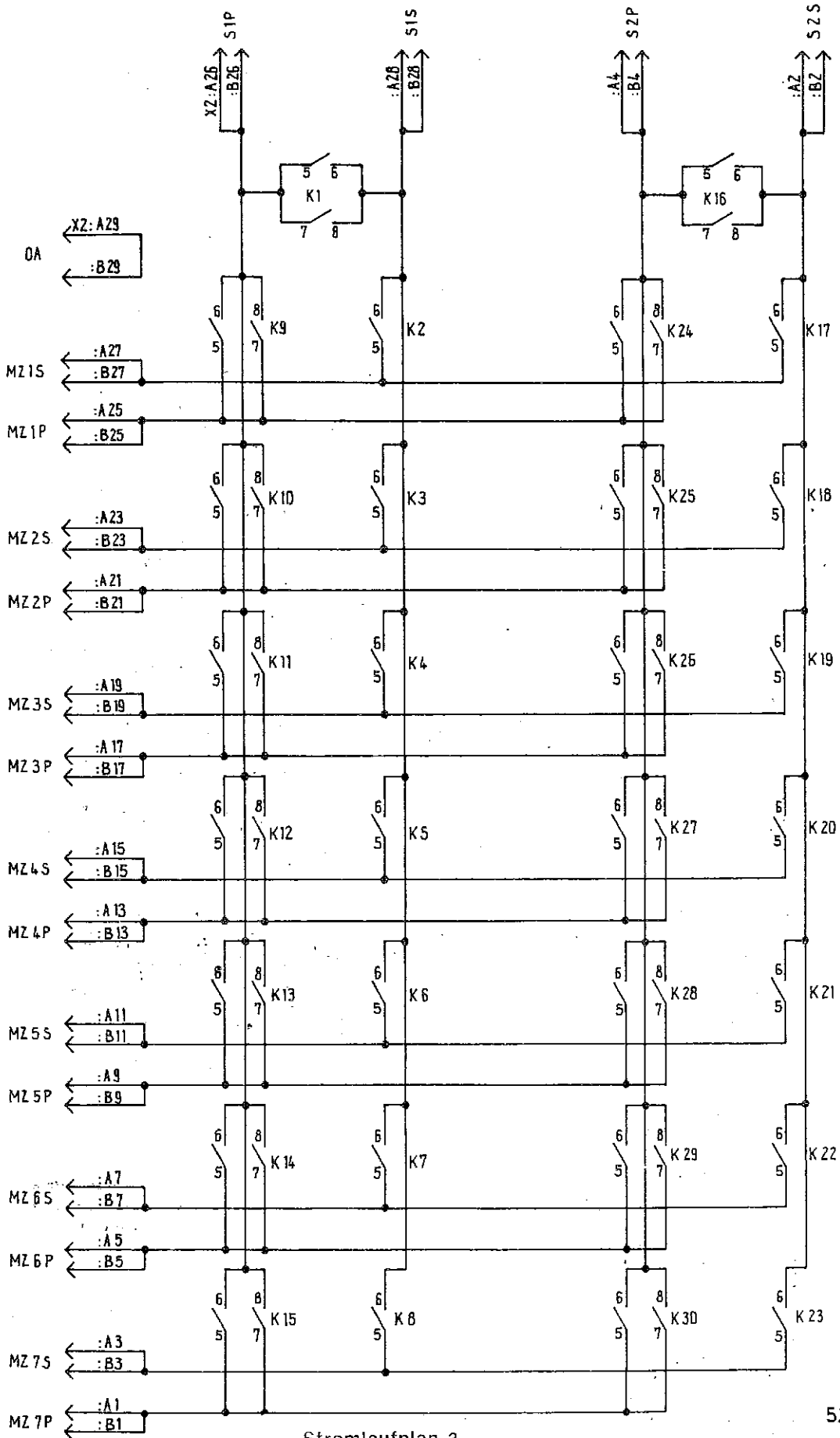


Spalte 1

Spalte 2

Stromlaufplan 2  
 Электрическая схема 2  
 Wiring Diagram 2

0



Spalten: S1P ⚡ Spalte 1, Power - Leitung  
S2S ⚡ Spalte 2, Sensing - Leitung

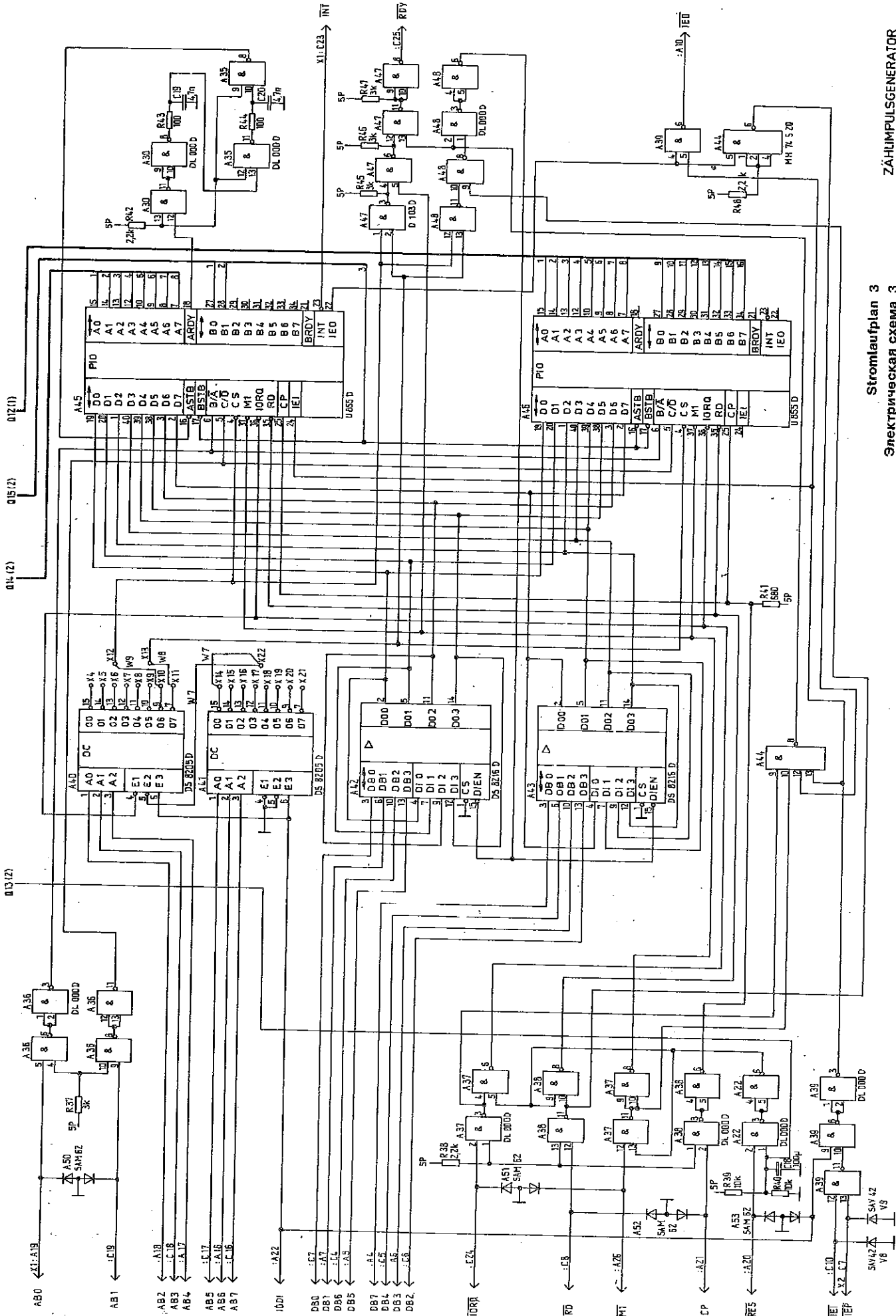
Anschlußbezeichnungen: Zeilen: MZ 1P ⚡ Zeile 1, Power - Leitung, MATRIX - BUS  
MZ 7S ⚡ Zeile 7, Sensing - Leitung, MATRIX - BUS

Stromlaufplan 3  
Электрическая схема 3  
Wiring Diagram 3

525 503. 2





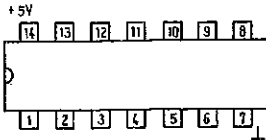


Stromlaufplan 3  
 Электрическая схема 3  
 Wiring Diagram 3

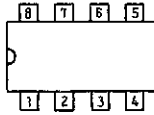
ZÄHLPULSGENERATOR  
 525 541.8

A

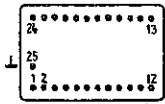
Anschlüsse von oben gesehen



7406 PC , B 341 E , B 110 D

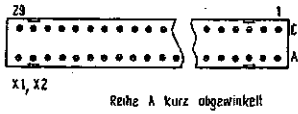


MB 111 , B 116 D



DAC 320 CB 12

Anschlüsse auf Lötseite gesehen



Reihe A kurz abgewinkelt

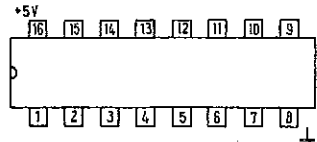


ADU-ANALOGTEIL

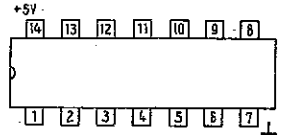
A 525 529.0

Stromlaufplan 2  
Электрическая схема 2  
Wiring Diagram 2

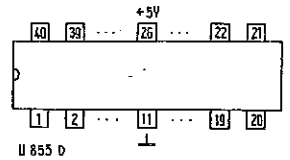
Anschlüsse von oben gesehen



MH 74 5112, DL 192 D, DL 193 D, DS 8205, DS 8216 D, K 155 KP 7

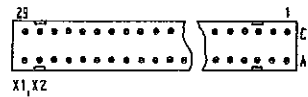


MH 74 500, DL 000 D, D 103 D, DL 004 D, MH 74 510, MH 74 520, D 174 D



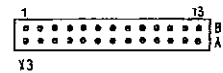
U 855 D

Anschlüsse auf Lötseite gesehen



X1, X2

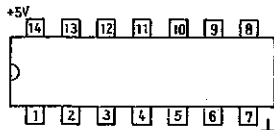
Reihe A kurz abgewinkelt



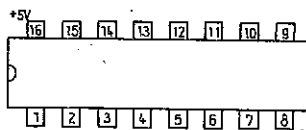
X3



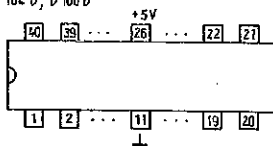
0



DL 000 D, DL 030 D, DL 006 D, DL 010 D, DL 020 D, D 140 D, DL 074 D, D 121 D, DL 004 D, D 103 D, D 104 D, D 100 D



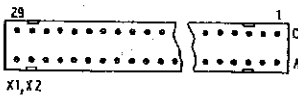
DL 193 D, DS 8205 D, DS 8216 D



U 855 D

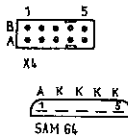
Anschlüsse von oben gesehen

Reihe A kurz abgewinkelt



X1, X2

Anschlüsse auf Lötseite gesehen



SAM 64

0

ADU-DIGITALTEIL

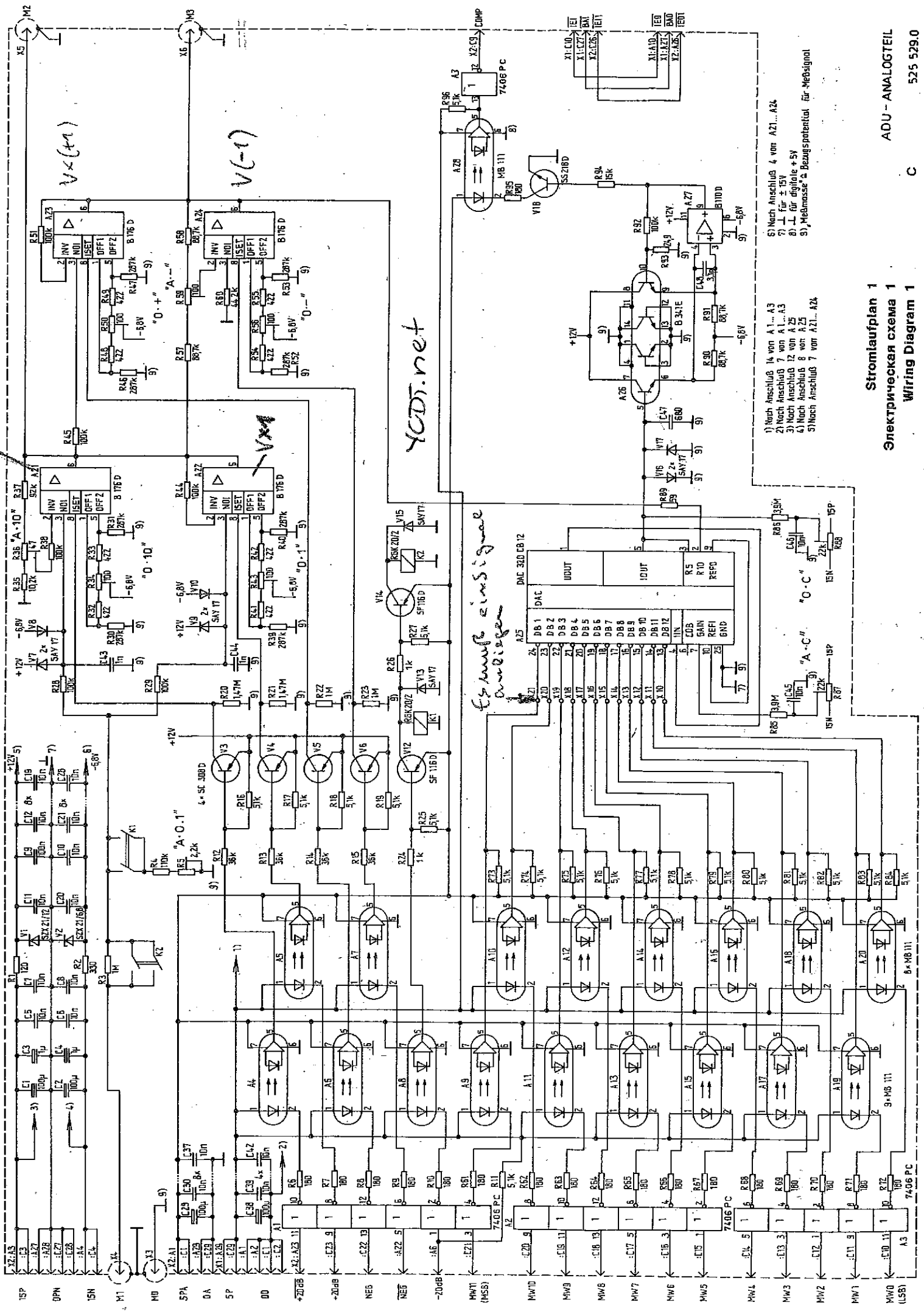
525 531.3

Stromlaufplan 4  
Электрическая схема 4  
Wiring Diagram 4

ZÄHLIMPULSGENERATOR

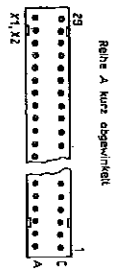
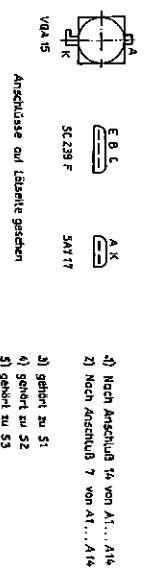
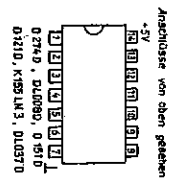
525 541.8





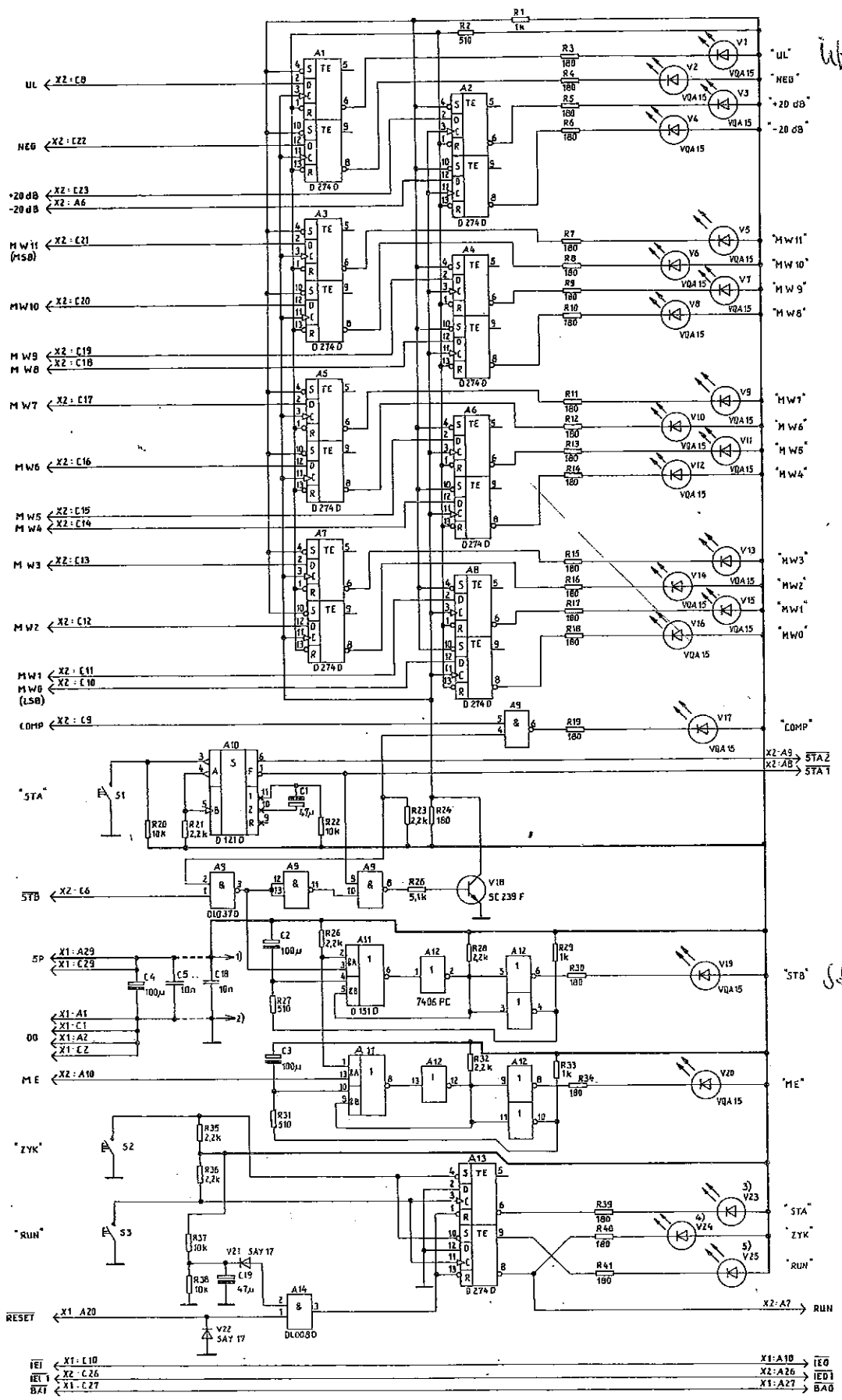
- 1) Nach Anschluss 14 von A1...A3
- 2) Nach Anschluss 7 von A1...A3
- 3) Nach Anschluss 12 von A25
- 4) Nach Anschluss 8 von A25
- 5) Nach Anschluss 7 von A21...A24
- 6) Nach Anschluss 4 von A21...A24
- 7) Für ±15V
- 8) Für digitale +5V
- 9) Masse für Meßmassen

**Stromlaufplan 1**  
**Электрическая схема 1**  
**Wiring Diagram 1**



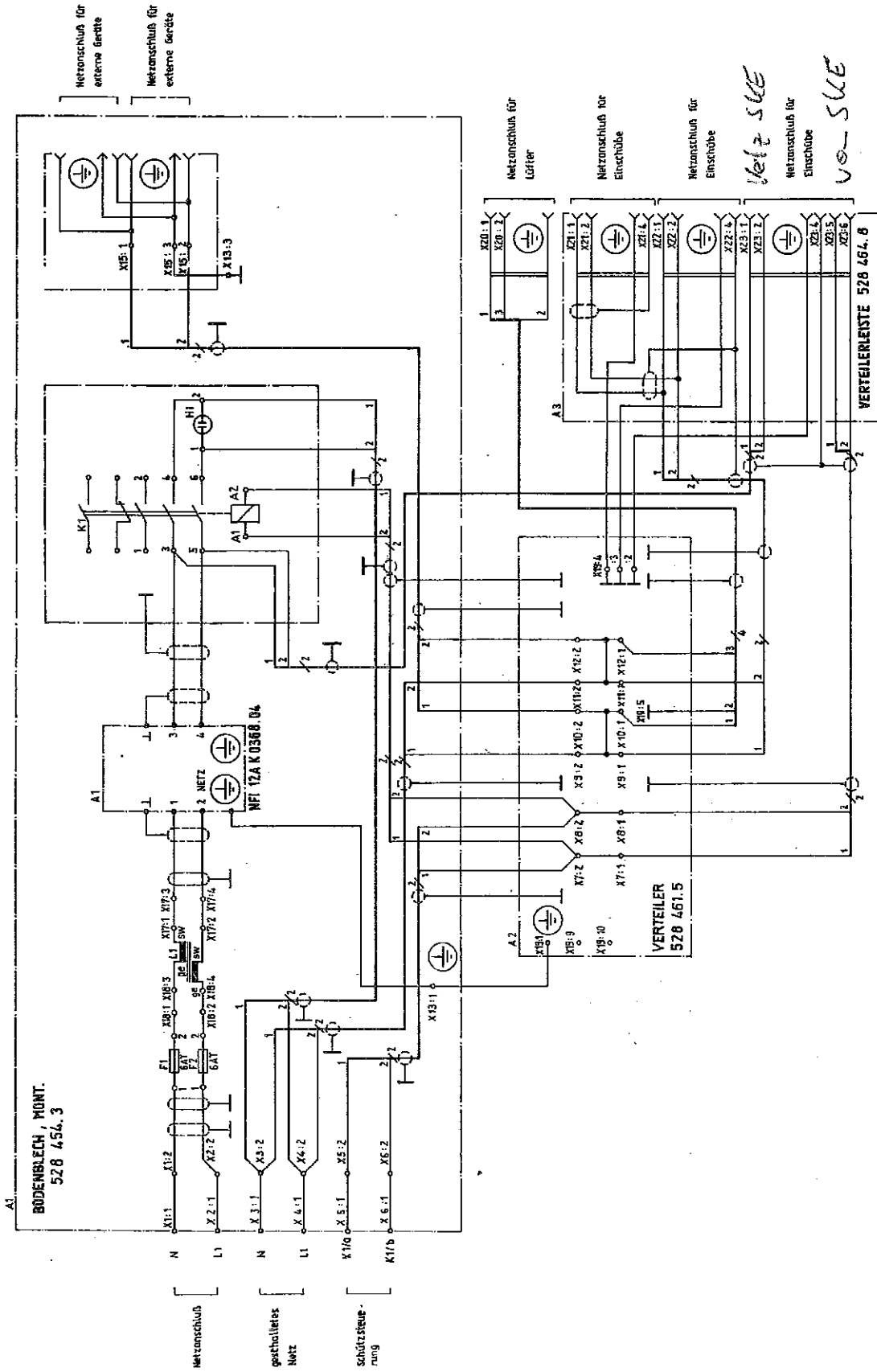
Stromlaufplan  
 Электронная схема  
 Wiring Diagram

ADU - PRÜFANZEIGE  
 528 582.8

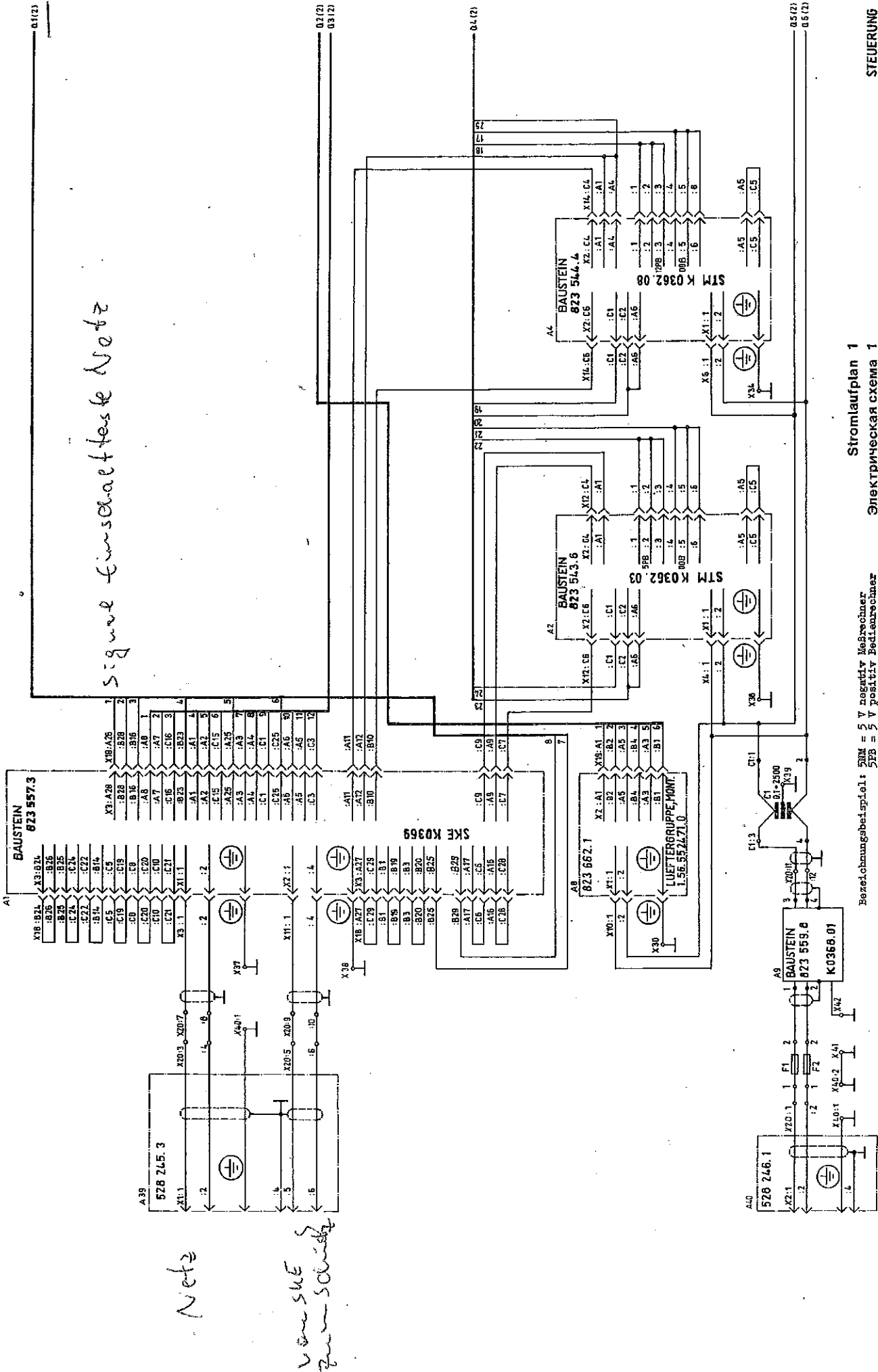


über dem

Strob



Stromlaufplan 528 277.5  
 Электрическая схема 528 277.5  
 Wiring Diagram B BEISTELLSCHRANK AK. MONT.



Signal einerschaltete Netz

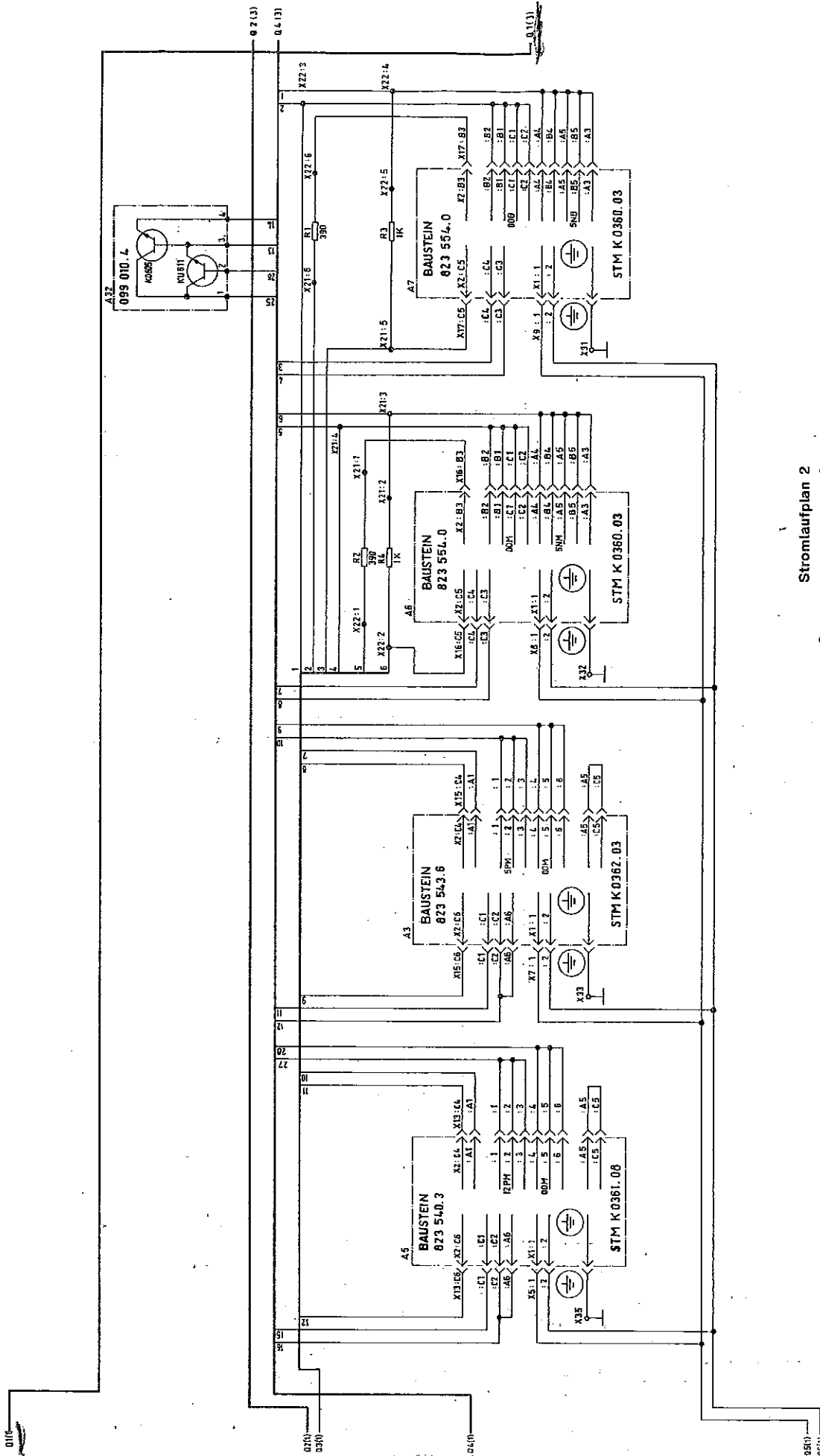
Netz  
von skf  
zum schalt

Stromlaufplan 1  
 Электрическая схема 1  
 Wiring Diagram 1

Bezeichnungsbeispiel: 528 = 5 V negativ Meßrechner  
 528 = 5 V positiv Bedienerrechner

STEUERUNG  
528 279-1

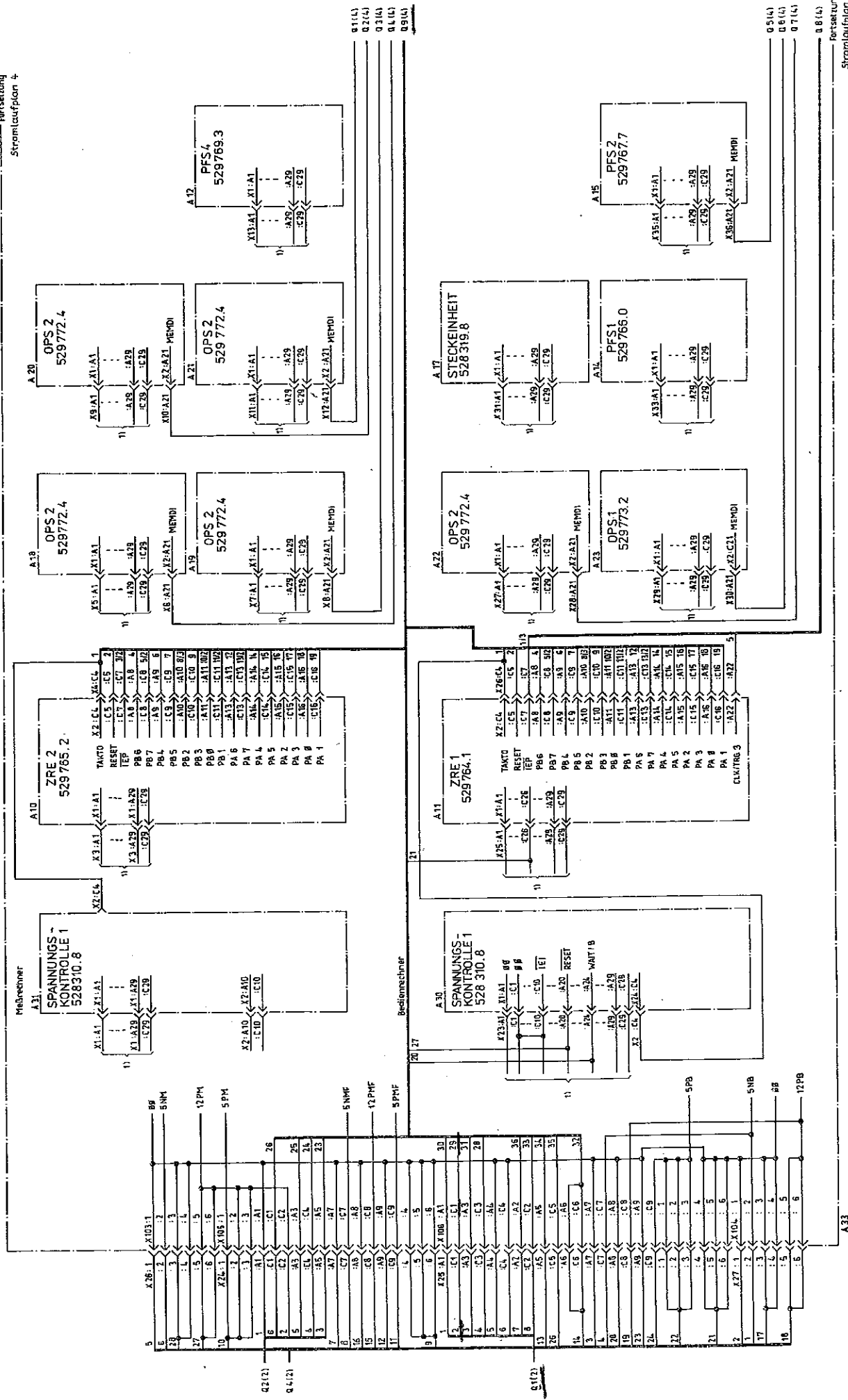
A



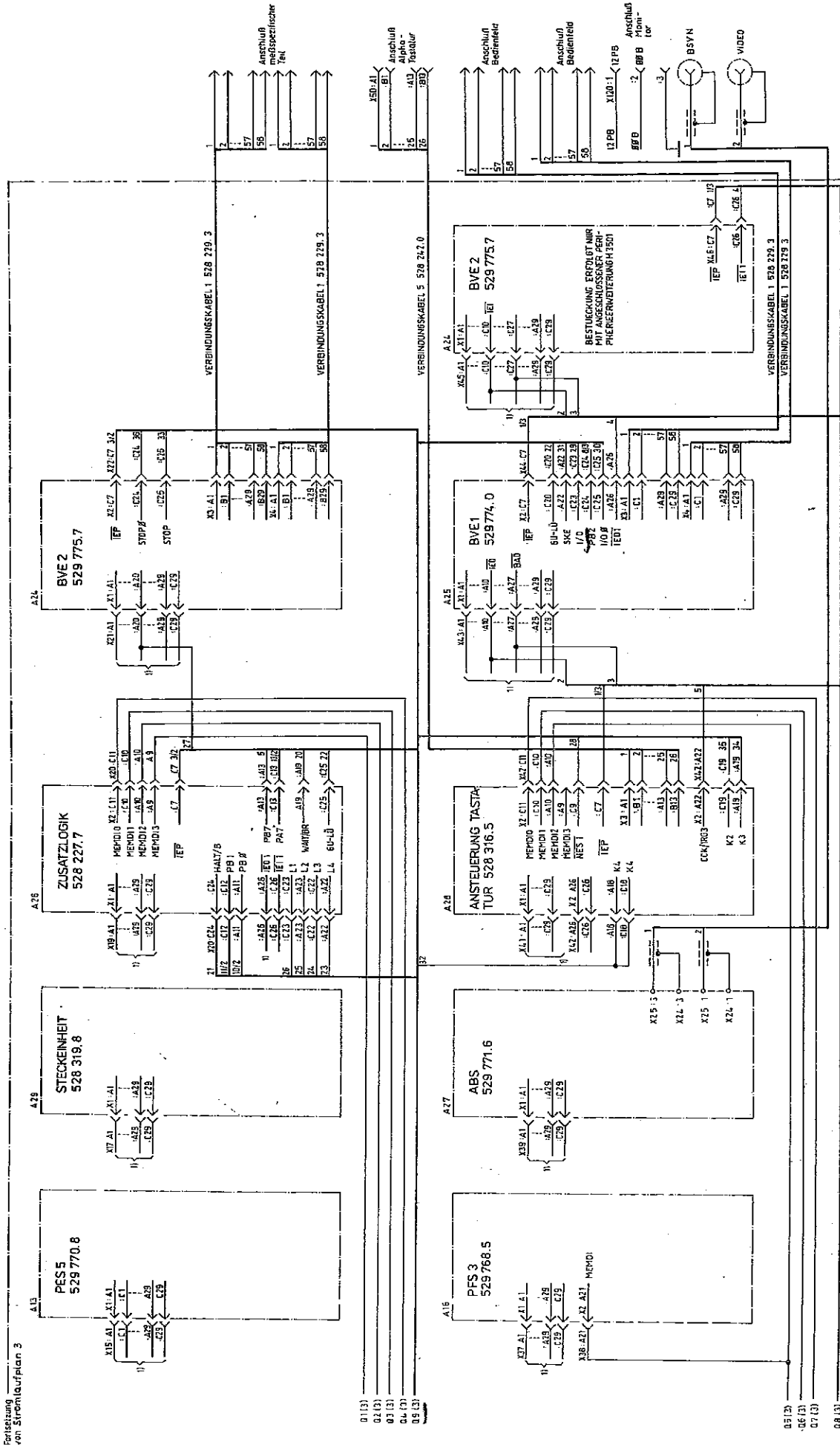
Stromlaufplan 2  
Электрическая схема 2  
Wiring Diagram 2

STEUERUNG  
528 279.1

0



Fortsetzung  
von Stromlaufplan 3



0113)  
0213)  
0313)  
0413)  
0513)

0513)  
0613)  
0713)  
0813)

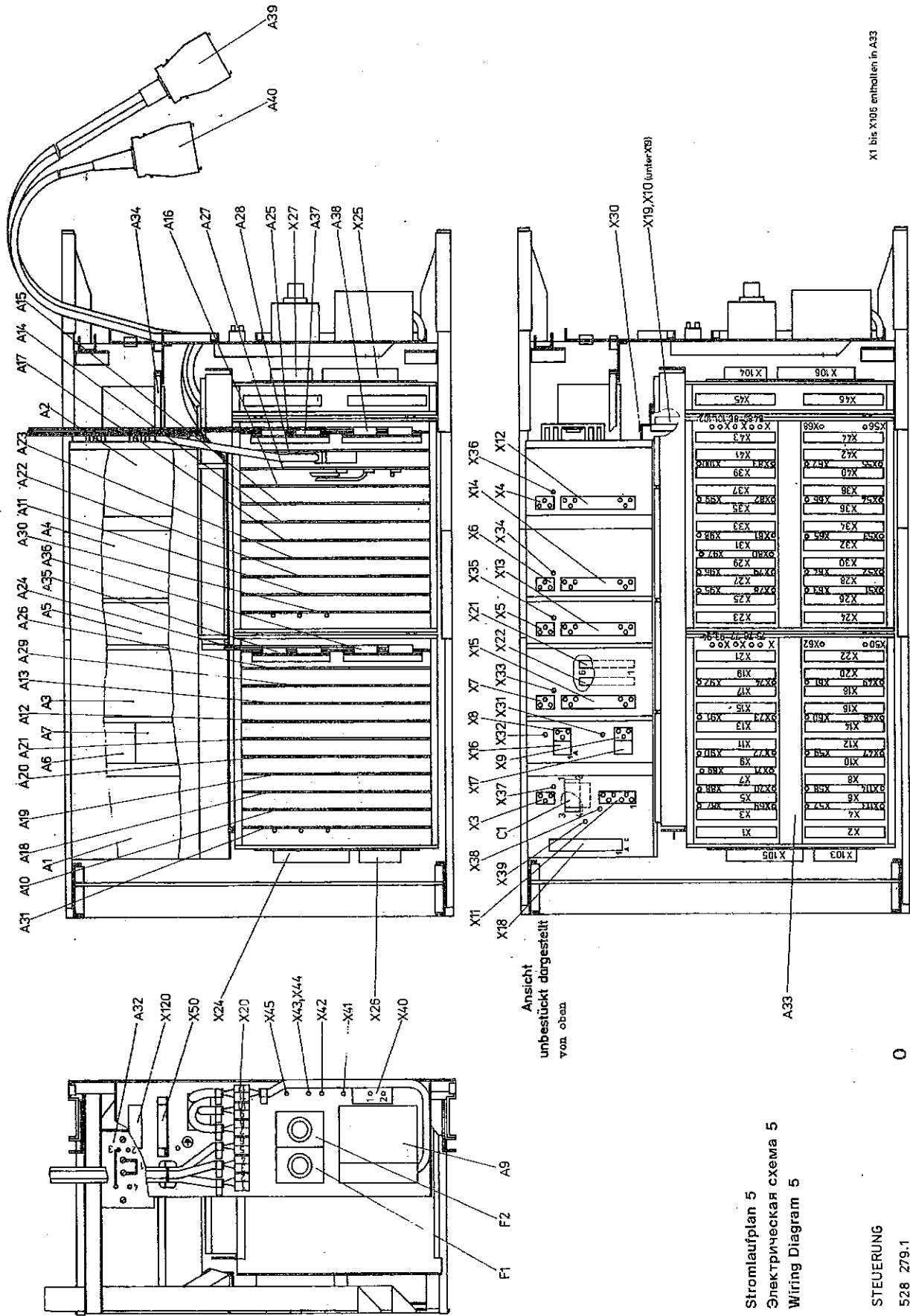
Fortsetzung  
von Stromlaufplan 3

Systembus K 1320

Stromlaufplan 4  
Электрическая схема 4  
Wiring Diagram 4

STEUERUNG  
528279.1

0



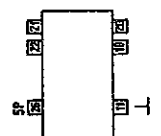
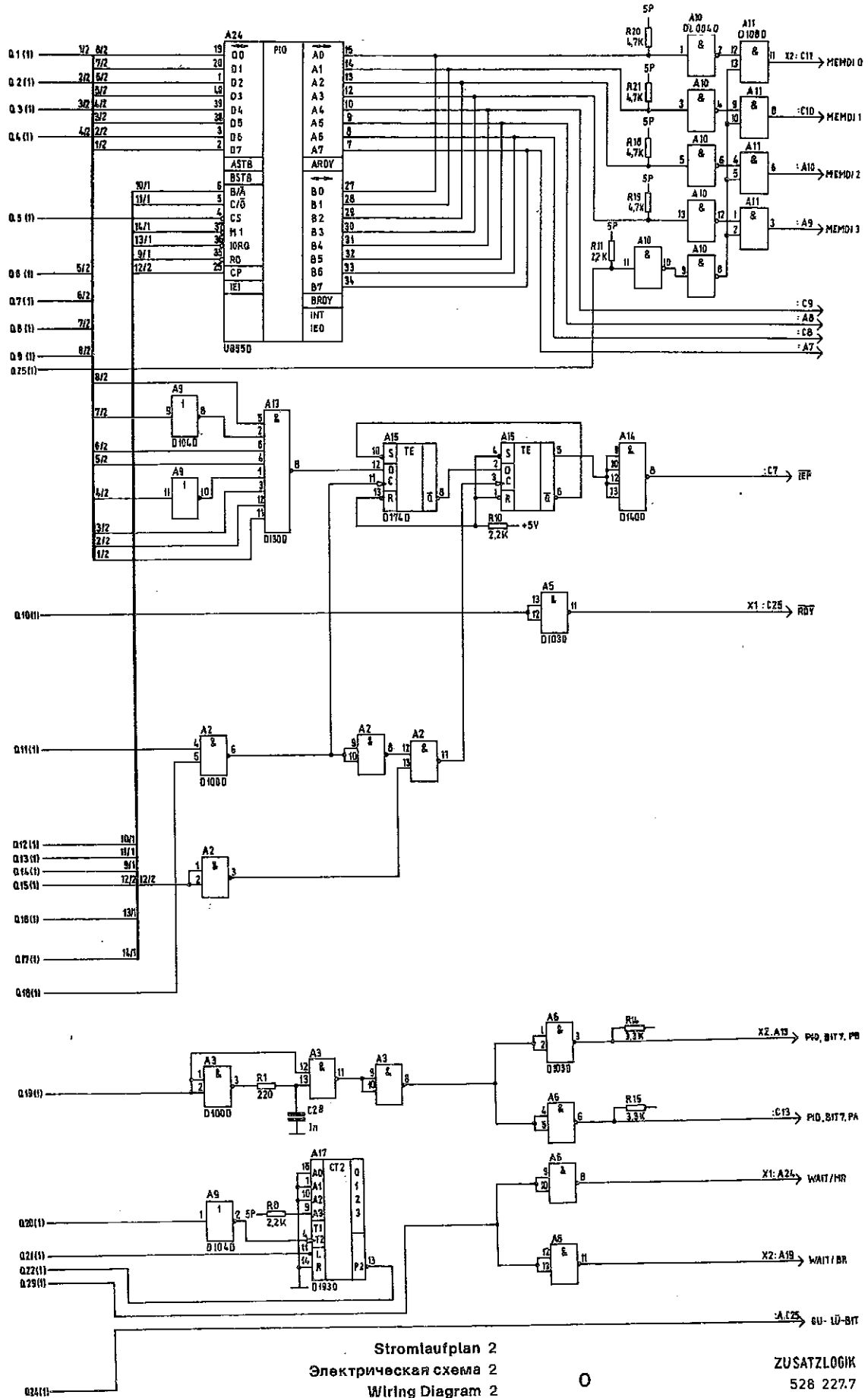
Stromlaufplan 5  
 Электрическая схема 5  
 Wiring Diagram 5

STEUERUNG  
 528 279.1

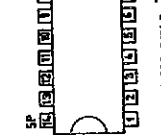
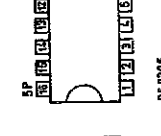
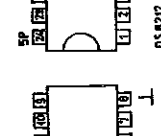
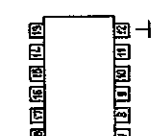
X1 bis X106 enthalten in A33





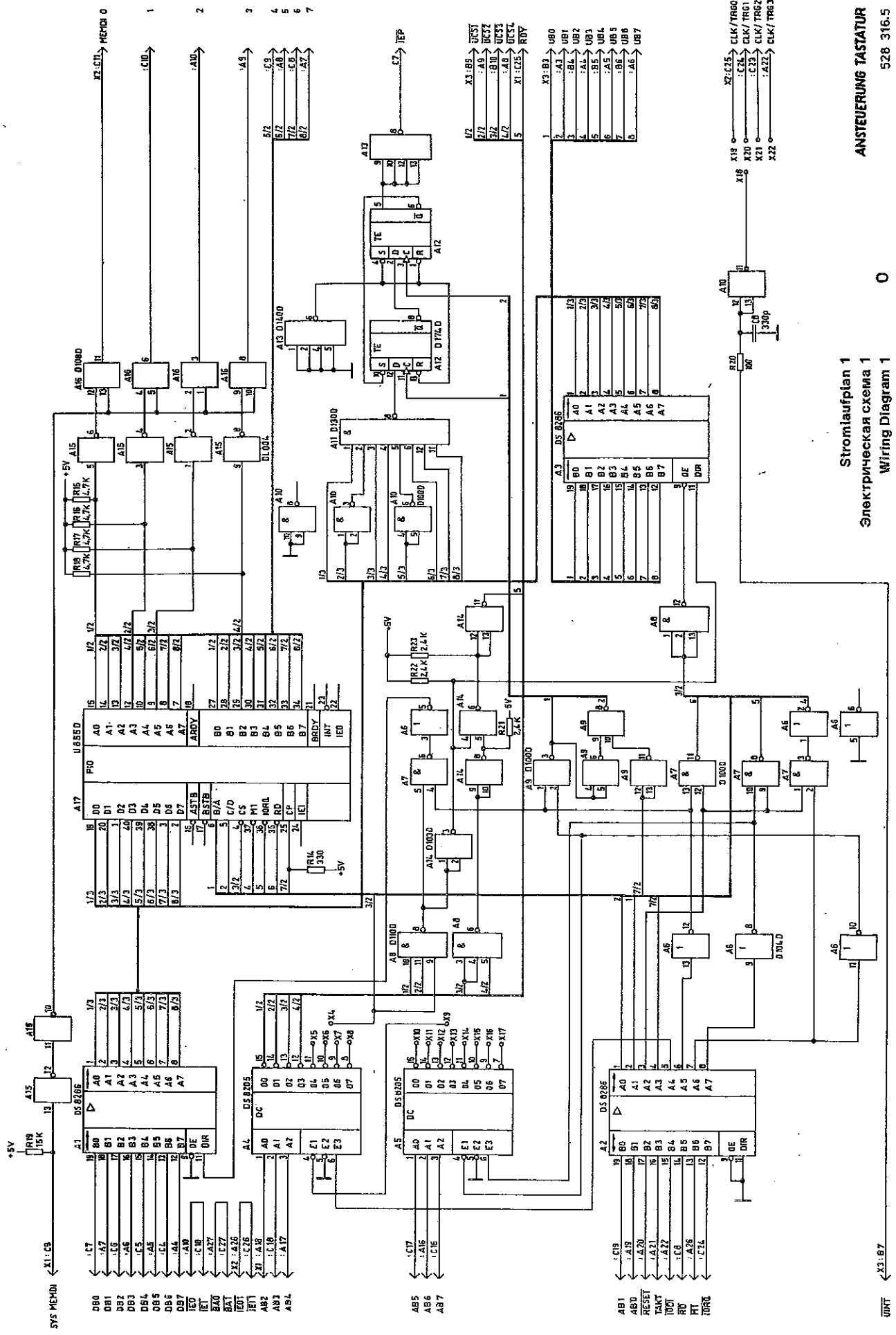


Anschlüsse von oben gesehen



Stromlaufplan 2  
Электрическая схема 2  
Wiring Diagram 2

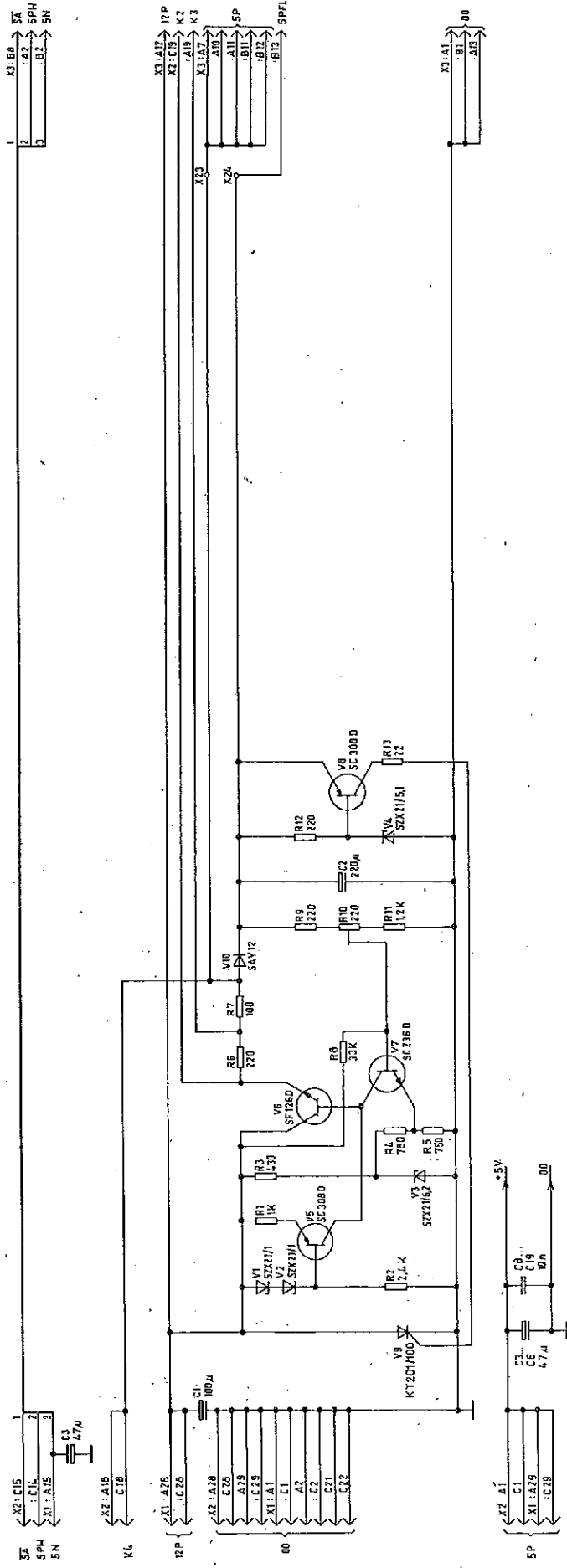
ZUSATZLOGIK  
528 227.7



Stromlaufplan 1  
Электрическая схема 1  
Wiring Diagram 1

ANSTEUERUNG TASTATUR  
528 316.5

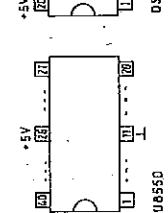
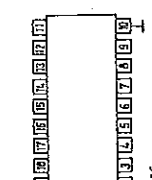
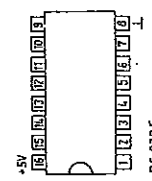
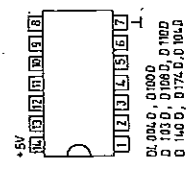
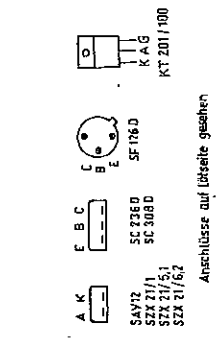
UNT



Stromlaufplan 2  
Электрическая схема 2  
Wiring Diagram 2

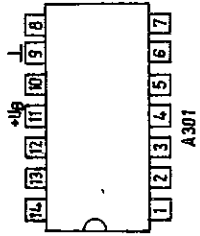
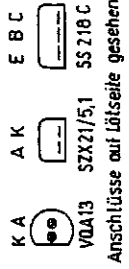
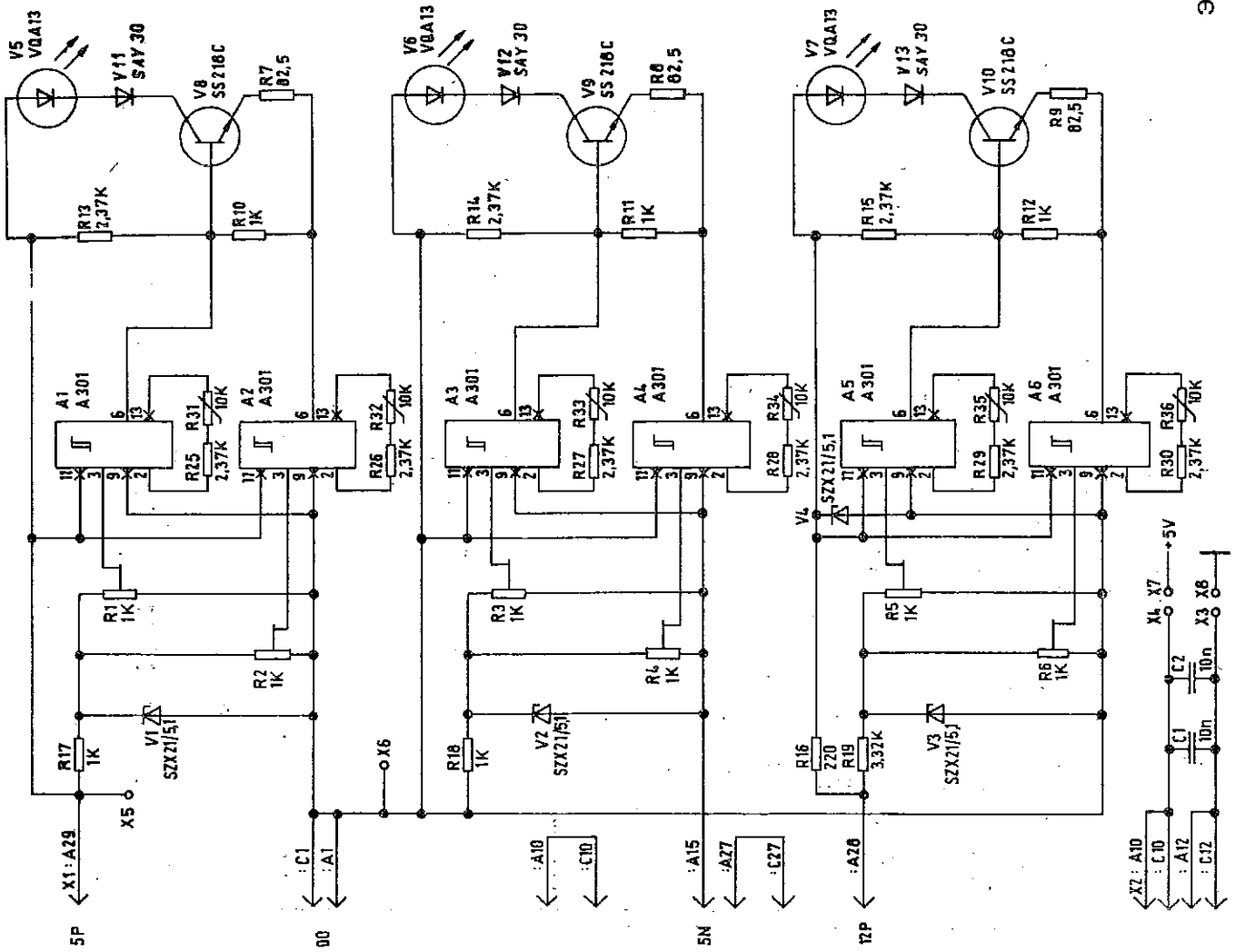
ANSTEUERUNG TASTATUR  
528 316.5

A



Anschlüsse auf Rückseite gesehen

Anschlüsse von oben gesehen

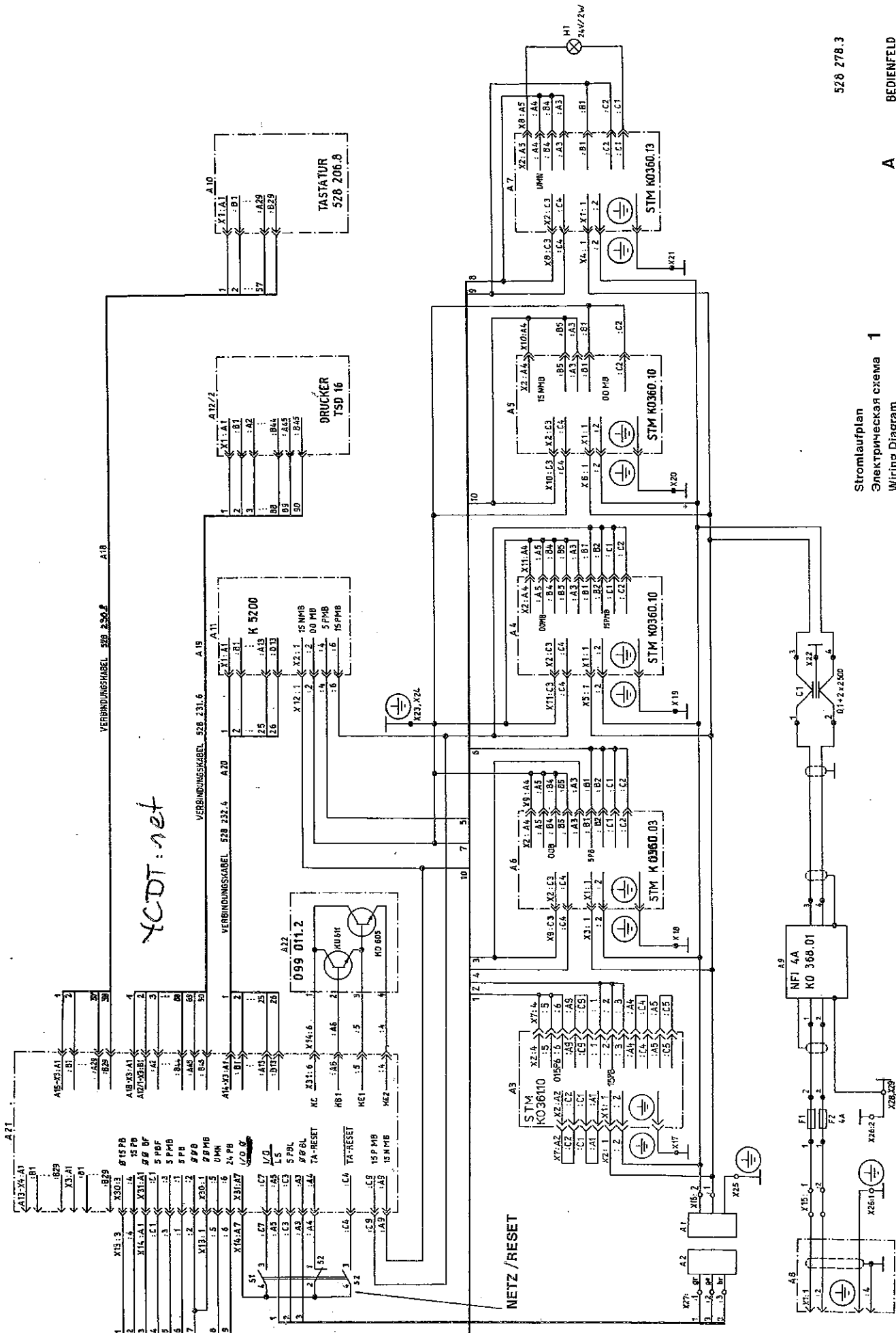


Anschlüsse von oben gesehen

528 310 . 6

Stromlaufplan  
 Электрическая схема  
 Wiring Diagram

B SPANNUNGSKONTROLLE 1

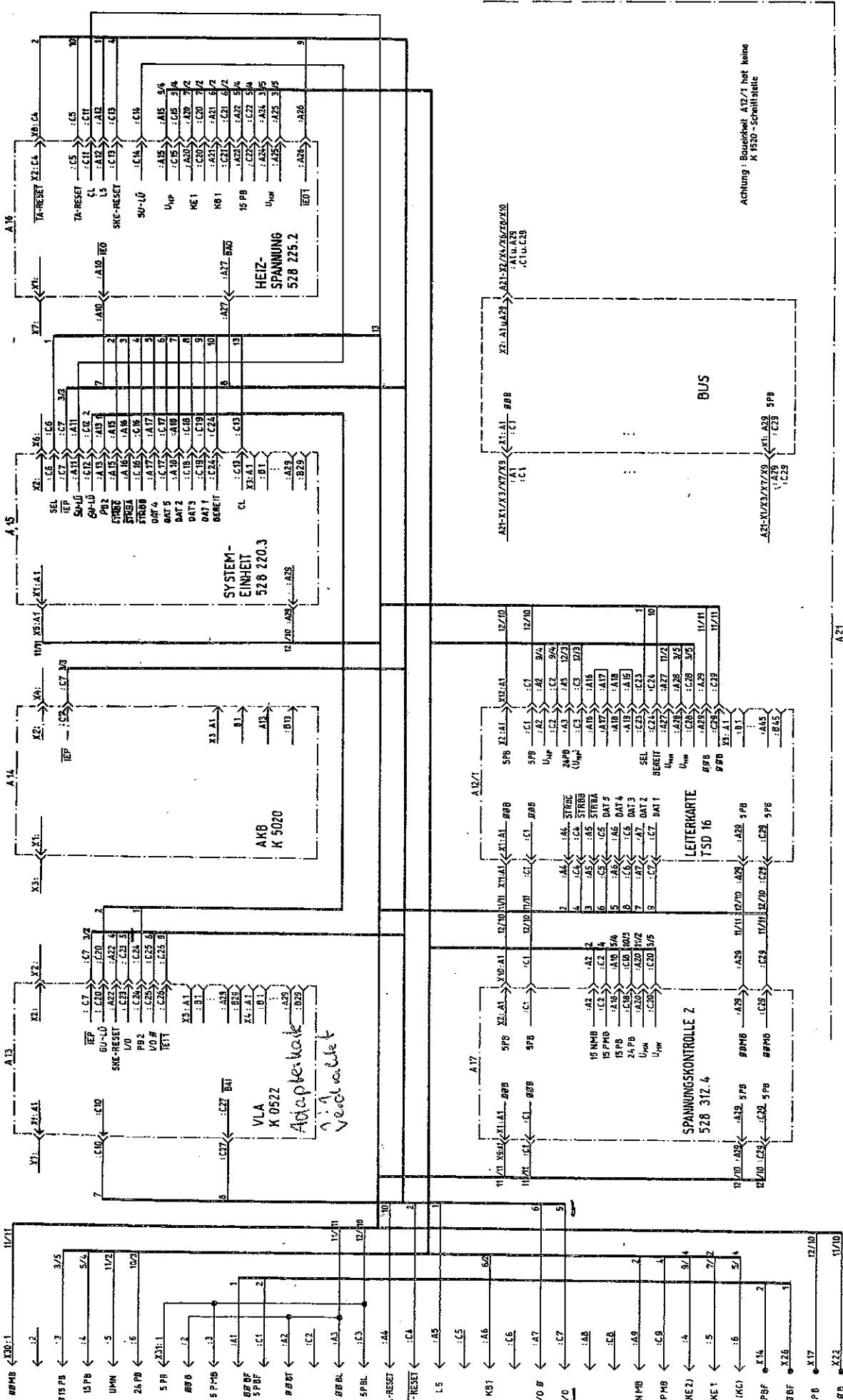


Stromlaufplan  
 Электрическая схема 1  
 Wiring Diagram

528 278.3

BEIENFELD

A

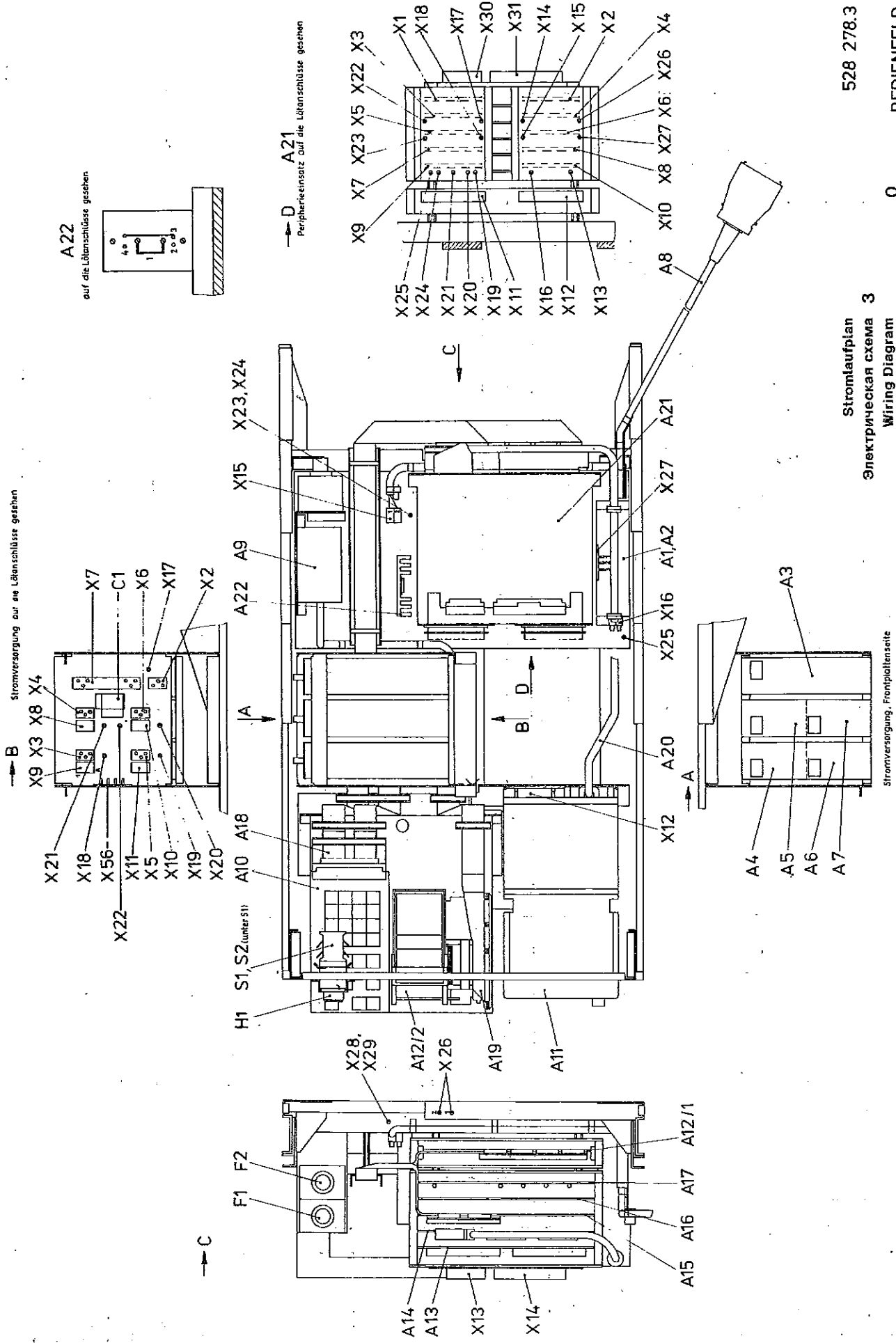


Stromlaufplan  
Электрическая схема 2  
Wiring Diagram

528 276.3

0

BEDIENFELD



528 278.3

BEDIENFELD

Stromlaufplan  
Электрическая схема  
Wiring Diagram

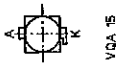
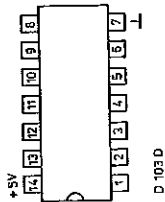
0





IZM BST

- 1) An Anschluß 14 von A1...A5
- 2) An Anschluß 7 von A1...A5



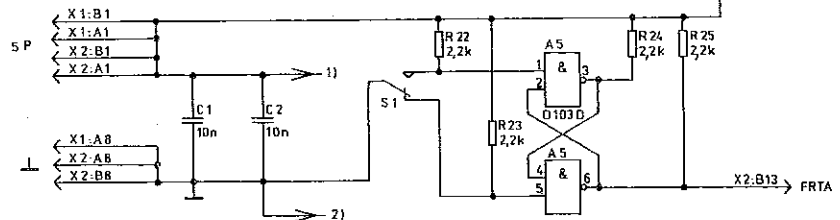
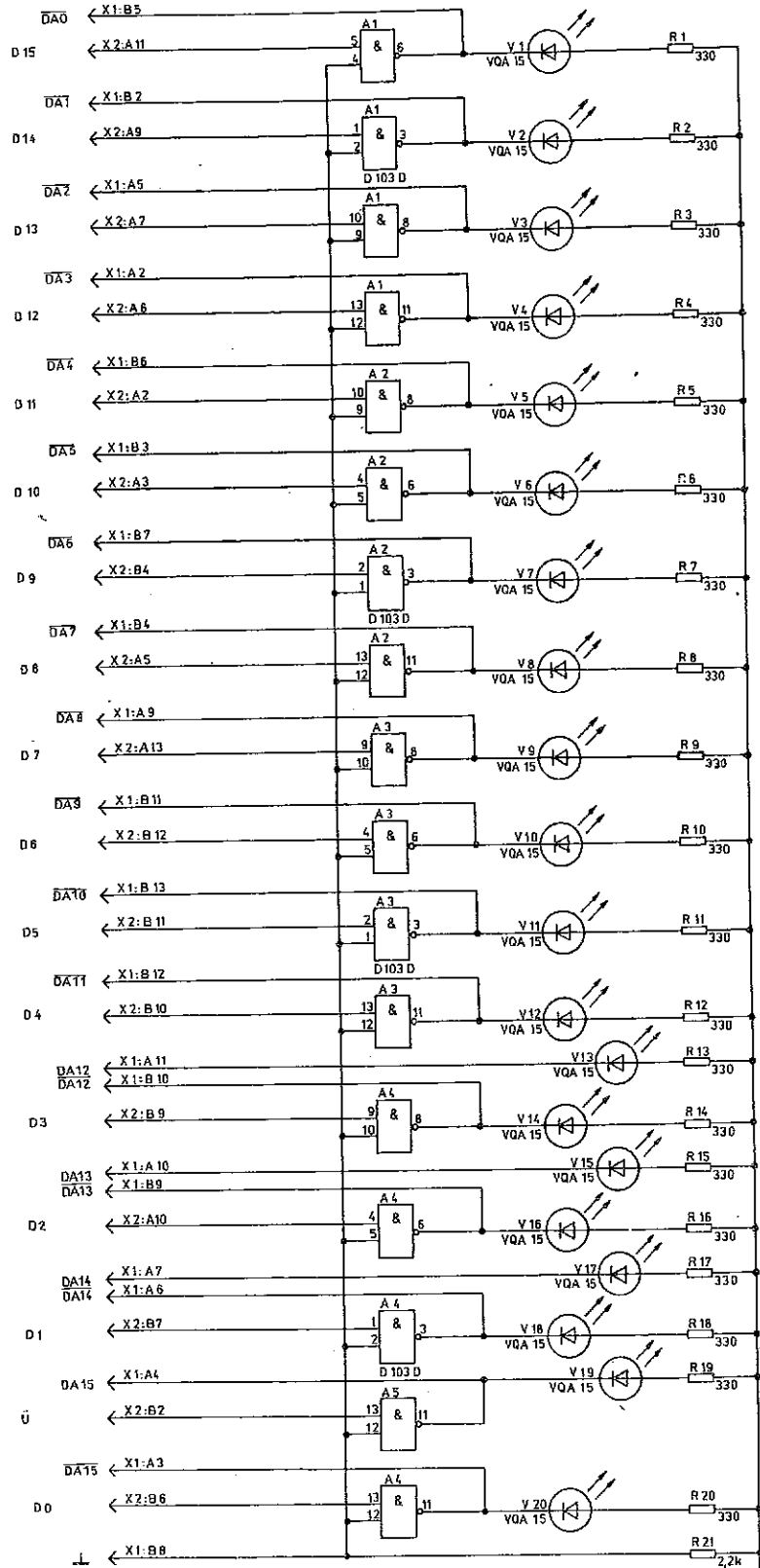
Anschlüsse von oben gesehen

A

Stromlaufplan  
Электрическая схема  
Wiring Diagram

LAMPENANZEIGE

525 572.3



Erläuterungen zu den Leiterplattenansichten (Position der Bauelemente), den Schaltteillisten und Stromlaufplänen

Die Schaltteillisten sowie die Bemerkungen auf den Leiterplattenansichten und Stromlaufplänen sind deutschsprachig. Deshalb sind hier alle Begriffe, nach dem deutschen Alphabet geordnet, den entsprechenden russisch- und englischsprachigen Begriffen gegenübergestellt.

Hinweis: Das Recht, äquivalente Typen zu verwenden, ist vorbehalten.

Пояснения к видам печатных плат (расположение деталей), спецификации элементов схемы и принципиальным электрическим схемам

Спецификация элементов схемы, а также замечания на видах печатных плат и электрических схемах выполнены на немецком языке. Поэтому ниже приводятся сопоставления немецких и соответствующих им русских и английских понятий, упорядоченных по немецкому алфавиту.

Примечание: Сохраняется право на использование эквивалентных типов.

Explanations of P.C. Board Illustrations (Component Location), Wiring Diagrams and List of Circuit Elements

To avoid any possible ambiguity, the notes on the p.c. board illustrations and wiring diagrams are in German the same as the components specified in the list of circuit elements. For the convenience of the user, however, a compilation is included which gives the respective terms in alphabetical order together with the English and Russian equivalents.

|                                                          |                                                           |                                                       |
|----------------------------------------------------------|-----------------------------------------------------------|-------------------------------------------------------|
| abgewinkelt                                              | Загнут                                                    | bent                                                  |
| A3S (Anschlußsteuerung)                                  | Дисплейный интерфейс                                      | Interface control                                     |
| Achtung: Baueinheit A12/1 hat keine K 1520-Schnittstelle | Внимание: Модуль A12/1 не имеет схемы сопряжения с K 1520 | Caution: Subassembly A12/1 has no K 1520 interface    |
| Adapterkarte                                             | Адаптерная карта                                          | Adapter board                                         |
| Adaptersteuerung                                         | Управление адаптером                                      | Adapter control                                       |
| ADU-Analogteil                                           | АЦП-Аналоговый блок                                       | ADC analogue portion                                  |
| ADU-Digitalteil                                          | АЦП-Цифровой блок                                         | ADC digital portion                                   |
| ADU-Meßkabel                                             | АЦП-Измерительный кабель                                  | ADC measuring cable                                   |
| ADU-Prüfanzeige                                          | АЦП-Контрольная индикация                                 | ADC test display                                      |
| AKB (Anschlußsteuerung-Kassettenmagnetbandgerät)         | Интерфейс - Кассетный накопитель на магнитной ленте       | Interface control for magnetic tape cartridge unit    |
| an Anschluß ... von ...                                  | к подключению ... от ...                                  | To terminal ... from ...                              |
| Anschluß Alpha-Tastatur                                  | Подключение алфавитно-цифровой клавиатуры                 | Connection for alphanumeric keyboard                  |
| Anschluß an geschaltetes Netz Automatenkern              | Подключение к коммутирующей сети центр. процессора        | Connection for mains actuation via controller console |
| Anschluß Bedienfeld                                      | Подключение панели управления                             | Connection for operator control panel                 |
| Anschlußbezeichnungen                                    | Обозначения подключений                                   | Terminal designations                                 |
| Anschlüsse auf Lötseite gesehen                          | Вид на подключения со стороны пайки                       | View of solder side                                   |
| Anschlußelement                                          | Соединительный элемент                                    | Connecting element                                    |
| Anschlüsse von oben gesehen                              | Вид на подключения сверху                                 | Top view of connections                               |
| Anschlußfahne von ...                                    | Контактное ушко от ...                                    | Connection lug from ...                               |
| Anschluß meßspezifischer Teil                            | Подключение измерительного специфич. блока                | Connection of measuring-specific portion              |
| Anschluß Monitor                                         | Подключение монитора                                      | Connection for monitor                                |
| Anschluß siehe Seite ...                                 | Подключение см. стр. ...                                  | Continuation see Page ...                             |
| Ansicht auf Anschlüsse                                   | Вид на подключения                                        | View of connections                                   |
| Ansicht auf Bestückungsseite                             | Вид на сторону монтажа                                    | View of insertion side                                |
| Ansicht unbestückt dargestellt                           | Вид представлен без монтажа                               | View without insertion                                |
| Ansteuerung - Tastatur                                   | Управление клавиатурой                                    | Drive - keyboard                                      |

|                                                                                                      |                                                                                                                |                                                                                           |
|------------------------------------------------------------------------------------------------------|----------------------------------------------------------------------------------------------------------------|-------------------------------------------------------------------------------------------|
| auf                                                                                                  | на                                                                                                             | on; at                                                                                    |
| auf die Lötanschlüsse gesehen                                                                        | Вид на подключения со стороны пайки                                                                            | View of solder side                                                                       |
| Auflage-Meldung                                                                                      | Сигнализация "Плата установлена"                                                                               | Insertion signal                                                                          |
| Atomatenkern                                                                                         | Центральный процессор                                                                                          | Controller console                                                                        |
| Baustein                                                                                             | Модуль                                                                                                         | Module; assembly                                                                          |
| Bedienfeld                                                                                           | Пульт управления                                                                                               | Operator control panel                                                                    |
| Bedienrechner                                                                                        | Управляющая ЭВМ                                                                                                | Control computer                                                                          |
| Beistellschrank AK (Atomatenkern), mont.                                                             | Шкаф центрального процессора, смонт.                                                                           | Add-on controller console, assembled                                                      |
| Bereit                                                                                               | Готовый                                                                                                        | Standby                                                                                   |
| Beschriftungseinlagen entnommen aus ...                                                              | Вставки обозначений брать из ...                                                                               | Legend inserts taken from ...                                                             |
| Bestückung erfolgt nur mit angeschlossener Peripherieerweiterung M 3501                              | Оснащение выполняется только с подключ. блоком сопряжения периферийных устройств M 3501                        | Insertion only with connected M 3501 Periphery Extension                                  |
| ... bis ... enthalten in ...                                                                         | ... до ... содержатся в ...                                                                                    | ... to ... contained in ...                                                               |
| Blatt                                                                                                | Лист                                                                                                           | Sheet                                                                                     |
| blaue Ader                                                                                           | Синяя жила                                                                                                     | Blue core                                                                                 |
| blaue Ader außen liegend                                                                             | Синяя жила, лежащая снаружи                                                                                    | Blue core at the outside                                                                  |
| Bodenblech, mont.                                                                                    | Основание, смонт.                                                                                              | Bottom plate, assembled                                                                   |
| Brücke(n) entfernen                                                                                  | Перемычки убраны                                                                                               | Remove jumper(s)                                                                          |
| Brücken: X1:A10-C10<br>X1:A27-C27<br>X2:A26-C26                                                      | Перемычки: X1:A10-C10<br>X1:A27-C27<br>X2:A26-C26                                                              | Jumpers: X1:A10-C10<br>X1:A27-C27<br>X2:A26-C26                                           |
| Buchsenleiste                                                                                        | Колодка с гнездами                                                                                             | Socket strip                                                                              |
| Bussteuerung                                                                                         | Управление шиной                                                                                               | Bus control                                                                               |
| BVE (Busverstärkereinheit)                                                                           | Усиление-формиров. общей шины                                                                                  | Bus driver                                                                                |
| Darstellung der Kontakte von ... auf Seite ...                                                       | Изображение контактов ... на стр. ...                                                                          | Representation of the contacts from ... on Page ...                                       |
| Diode                                                                                                | Диод                                                                                                           | Diode                                                                                     |
| Drahtwiderstand                                                                                      | Проволочный резистор                                                                                           | Wirewound resistor                                                                        |
| Draufsicht                                                                                           | Вид сверху                                                                                                     | Top view                                                                                  |
| Drucker                                                                                              | Печатающее устройство                                                                                          | Printer                                                                                   |
| einpoliger Netzschalter, bei Einsatz der Vakuum-erzeugung dreipoliger Netzschalter                   | Однополюсный сетевой выключатель, при установке вакуумного устройства - трехполюсный сетевой выключ.           | Single-pole mains switch; or three-pole mains switch when using the vacuum system         |
| Elyt-Kondensator                                                                                     | Электролитический конденсатор                                                                                  | Electrolytic capacitor                                                                    |
| Fehler                                                                                               | Погрешность                                                                                                    | Error; fault                                                                              |
| Formkabel                                                                                            | Профильный кабель                                                                                              | Preformed cable                                                                           |
| Fortsetzung von Blatt ...                                                                            | Продолжение со стр. ...                                                                                        | Continuation of Sheet ...                                                                 |
| geschaltetes Netz                                                                                    | Коммутируемая сеть                                                                                             | Activated mains                                                                           |
| Geschlossen-Meldung                                                                                  | Сигнализация "Адаптер закрыт"                                                                                  | CLOSED signal                                                                             |
| Gleichrichterdiode                                                                                   | Выпрямительный диод                                                                                            | Rectifier diode                                                                           |
| Gleichrichtereinheit                                                                                 | Выпрямительный блок                                                                                            | Rectifier unit                                                                            |
| Gruppen                                                                                              | Группы                                                                                                         | Groups                                                                                    |
| Gruppen:<br>11P ≙ Gruppe 1, Zeile 1,<br>Power-Leitung<br>47S ≙ Gruppe 4, Zeile 7,<br>Sensing-Leitung | Группы:<br>11P ≙ группа 1, строка 1,<br>сигнальная линия.<br>47S ≙ группа 4, строка 7,<br>чувствительная линия | Groups:<br>11P ≙ Group 1, Line 1,<br>Power lead<br>47S ≙ Group 4, Line 7,<br>Sensing lead |
| Heizspannung                                                                                         | Напряжение накала                                                                                              | Heater voltage                                                                            |
| HF-Stecker                                                                                           | ВЧ-штекер                                                                                                      | RF plug                                                                                   |
| Informationsmaß                                                                                      | Информационный размер                                                                                          | Approximate dimension                                                                     |
| INT                                                                                                  | Внутр.                                                                                                         | Internal; interrupt                                                                       |
| Kabelanschluß auf der Verteilerplatte                                                                | Кабельное подключение на распределительной планке                                                              | Cable connection on distributor board                                                     |

|                                                                         |                                                                        |                                                         |
|-------------------------------------------------------------------------|------------------------------------------------------------------------|---------------------------------------------------------|
| Kabelschuh                                                              | Кабельный наконечник                                                   | Cable lug                                               |
| Kennzeichnung Katode                                                    | Маркировка катода                                                      | Cathode marking                                         |
| Kühlkörper                                                              | Радиатор                                                               | Heat sink                                               |
| Kühlkörperbaustein                                                      | Радиаторный модуль                                                     | Heat sink module                                        |
| Kühlkörpereinheit                                                       | Радиаторный узел                                                       | Heat sink unit                                          |
| Kondensator                                                             | Конденсатор                                                            | Capacitor                                               |
| Kontakte der Steckverbinder mit gleicher Nummer untereinander verbinden | Контакты штекерного разъема одинаковых номеров соединяются между собой | Interconnect pins of the connectors having like numbers |
| Komparator                                                              | Компаратор                                                             | Comparator                                              |
| Koppler                                                                 | Элемент связи                                                          | Coupler                                                 |
| Lampenanzeige                                                           | Ламповая индикация                                                     | Lamp panel                                              |
| LED                                                                     | Светоизлучающий диод                                                   | LED                                                     |
| Leiterkarte ... → Bedienfeld ...                                        | Печатная плата ... → Пульт управления                                  | P.C. board ... → operator control panel                 |
| Leiterkartentester                                                      | Автомат для контроля печ.схем                                          | In-circuit tester                                       |
| Leiterplatte                                                            | Печатная плата                                                         | P.C. board                                              |
| Leiterplatte, best.                                                     | Печатная плата, оснащ.                                                 | P.C. board, assembled                                   |
| Lichtemitterdiode                                                       | Светоизлучающий диод                                                   | Light-emitting diode, LED                               |
| Lötöse                                                                  | Ушко для припайки                                                      | Solder lug                                              |
| LP-Aufnahme                                                             | Приемная кассета печ. плат                                             | PCB receptacle                                          |
| LP-Bestückung siehe ...                                                 | Комплектация печ. плат, см. ...                                        | PCB insertion see ...                                   |
| Lüftergruppe, mont.                                                     | Вентиляторный узел, смонт.                                             | Fan assembly, complete                                  |
| Matrix                                                                  | Матрица                                                                | Matrix                                                  |
| Matrix-Bus                                                              | Шина матрицы                                                           | Matrix bus                                              |
| Meßrechner                                                              | Измерительная ЭВМ                                                      | Data computer                                           |
| Meßstellenumschalter                                                    | Коммутатор измерительных приборов                                      | Sampler                                                 |
| Meßteil                                                                 | Измерительный блок                                                     | Measuring portion                                       |
| Mikro-Stößeltaster                                                      | Микровыключатель плунж. типа                                           | Plunger-type micro key                                  |
| МКТ-Конденсатор                                                         | Конденсатор на полиэфирном металлизированном диэлектрике               | Metallized polyester foil capacitor                     |
| Monitor, vollst.                                                        | Монитор, компл.                                                        | Monitor, complete                                       |
| Nadeladapter                                                            | Адаптер с штыревыми контактами                                         | Test fixture with spring-contact probes                 |
| nach Analog-SV ...                                                      | к электропитанию аналог. схем.                                         | To analogue power supply ...                            |
| nach Anschluß ... von ...                                               | к подключению ... от ...                                               | To connection ... of/from ...                           |
| nach Digital-Stromversorgung                                            | к электропитанию цифр. схем ...                                        | To digital power supply ...                             |
| nach Funktionseinheiten                                                 | к функциональным схемам                                                | To functional units                                     |
| Netz                                                                    | Сеть                                                                   | Mains                                                   |
| Netzanschluß für Einschübe                                              | Сетевой разъем вставных блоков                                         | Mains connection for plug-in units                      |
| Netzanschluß für externe Geräte                                         | Сетевой разъем внешних приборов                                        | Mains connection for external equipment                 |
| Netzanschluß für Lüfter                                                 | Сетевой разъем вентиляторов                                            | Mains connection for fan unit                           |
| Netzanschlußkabel                                                       | Сетевой кабель                                                         | Power supply cable                                      |
| Oberfläche                                                              | Поверхность                                                            | Surface                                                 |
| OPS                                                                     | Оперативная память                                                     | Operating store (RAM)                                   |
| Peripherieeinsatz auf die Lötanschlüsse gesehen                         | Периферийная кассета со стороны пайки                                  | Periphery tray with view of solder connections          |
| Peripherieerweiterung                                                   | Блок сопряжения периферийных устройств                                 | Periphery extension                                     |
| PFS                                                                     | Программируемое постоянное ЗУ                                          | Programmable fixed store (ROM)                          |
| PIN-Anschaltung                                                         | Коммутация контактных штырей                                           | Pin activation                                          |
| Programm-Ende                                                           | Конец программы                                                        | Program end                                             |
| Programm-Fortsetzung                                                    | Продолжение программы                                                  | Program continuation                                    |
| Programm-Lauf                                                           | Ход программы                                                          | Program run                                             |
| Programm-Stop                                                           | Останов программы                                                      | Program stop                                            |

|                                                                           |                                                                                |                                                                    |
|---------------------------------------------------------------------------|--------------------------------------------------------------------------------|--------------------------------------------------------------------|
| Rechnereinsatz                                                            | Кассета вычислителя                                                            | Computer tray                                                      |
| Referenzelement                                                           | Элемент опорного напряжения                                                    | Reference element                                                  |
| Regelteil                                                                 | Регулирующий узел                                                              | Control portion                                                    |
| Regelteilmodul                                                            | Модуль регулирующего узла                                                      | Control module                                                     |
| Reihe A kurz abgewinkelt                                                  | Ряд А коротко загнут                                                           | Row A shortly bent                                                 |
| Relais                                                                    | Реле                                                                           | Relay                                                              |
| RESET                                                                     | Сброс                                                                          | RESET                                                              |
| Richtungsschalter                                                         | Переключатель релейных полей                                                   | Direction switch                                                   |
| Schaltdiode                                                               | Переключательный диод                                                          | Switching diode                                                    |
| Schalter bzw. Brücke geschlossen, übrige unbedingt geöffnet               | Выключатель или переключки закрыты, остальные обязательно открыты              | Switch or jumper closed; others must be open                       |
| Schalterstellung überprüfen                                               | Проверить положение переключат.                                                | Check switch setting                                               |
| Schaltkreis                                                               | Микросхема                                                                     | Circuit; IC                                                        |
| Schaltnetzteileinheit                                                     | Тактируемый модуль питания                                                     | Switching power supply unit                                        |
| Schichtwiderstand                                                         | Пленочный резистор                                                             | Film resistor                                                      |
| Schichtwiderstand, veränderlich                                           | Пленочный резистор, переменный                                                 | Film resistor, variable                                            |
| Schmelzeinsatz                                                            | Плавкая вставка                                                                | Fuse link                                                          |
| Schützsteuerung                                                           | Управление контактором                                                         | Contactator control                                                |
| siehe Seite                                                               | см. страницу                                                                   | See Page                                                           |
| Signalgenerator                                                           | Генератор сигналов                                                             | Signal generator                                                   |
| Software                                                                  | Программное обеспечение                                                        | Software                                                           |
| Spalten: S1P ≙ Spalte 1, Power-Leitung<br>S2S ≙ Spalte 2, Sensing-Leitung | Столбцы: S1P ≙ столбец 1, сигнальная линия<br>S2S ≙ столбец 2, чувствит. линия | Columns: S1P ≙ Column 1, Power lead<br>S2S ≙ Column 2 Sensing lead |
| Spannungskontrolle                                                        | Контроллер напряжения                                                          | Voltage check                                                      |
| Steckeinheit                                                              | Вставной узел                                                                  | Plug-in unit                                                       |
| Steckerleiste                                                             | Колодка штыревого разъема                                                      | Plug strip                                                         |
| Steuerung                                                                 | Управление                                                                     | Control                                                            |
| Strommesser                                                               | Измеритель тока                                                                | Ammeter                                                            |
| Stromversorgung                                                           | Электропитание                                                                 | Power supply                                                       |
| Stromversorgung, auf die Lötanschlüsse gesehen                            | Электропитание, со стороны выведенных концов для припайки                      | Power supply with view of solder connections                       |
| Stromversorgung, Frontplattenseite                                        | Электропитание, со стороны фронтальной панели                                  | Power supply, view of front panel                                  |
| Systembus                                                                 | Системная шина                                                                 | System bus                                                         |
| Takt                                                                      | Такт                                                                           | Clock                                                              |
| Tastatur                                                                  | Клавиатура                                                                     | Keyboard                                                           |
| Taste                                                                     | Клавиша                                                                        | Key; pushbutton                                                    |
| Taste "Öffnen"                                                            | Клавиша "Открыто"                                                              | OPEN key                                                           |
| Taste "Schließen"                                                         | Клавиша "Закрыто"                                                              | CLOSE key                                                          |
| Testleiterkarte                                                           | Тестовая печатная плата                                                        | Test p.c. board                                                    |
| Thyristor                                                                 | Тиристор                                                                       | Thyristor                                                          |
| Trafoeinheit                                                              | Трансформаторный узел                                                          | Transformer unit                                                   |
| Transistor                                                                | Транзистор                                                                     | Transistor                                                         |
| Transportsicherung                                                        | Транспортный предохранитель                                                    | Transport safeguard                                                |
| TSE                                                                       | Клавишный переключатель                                                        | Pushbutton switch                                                  |
| UKW-Drossel                                                               | УКВ-дроссель                                                                   | VHF choke                                                          |
| ... und ... enthalten in Steckeinheiteneinsatz                            | ... и ... находятся в сменном модуле                                           | ... and ... contained in set of plug-in units                      |
| ... und ... liegen im Verantwortungsbereich des Anwenders                 | За ... и ... отвечает пользователь                                             | ... and ... being within the responsibility of the user            |
| unter ...                                                                 | при ...                                                                        | under ... ; below ...                                              |
| Vakuumbaugruppe                                                           | Вакуумный узел                                                                 | Vacuum tray                                                        |
| Vakuumerzeugung                                                           | Вакуумное устройство                                                           | Vacuum system                                                      |

... Verbindung bei Einsatz der Peripherieerweiterung  
 ... Verbindung bei Einsatz der Vakuumzeugung

Verbindung der Kontakte:  
 A1 an B1  
 :  
 A29 an B29

Verbindungskabel  
 Verbindungssatz  
 Verteiler  
 Verteilerleiste  
 VLA

... vom Anwender anzuschließen nach Vorschrift (Bedienanleitung, Aufstellvorschrift)

... vom Anwender herzustellen und anzuschließen nach Vorschrift

Wickelstift  
 Widerstand

Zählimpulsgenerator  
 Zeilen

Zeilen: MZ1P ≙ Zeile 1, Power-Leitung, Matrix-Bus  
 MZ7S ≙ Zeile 7, Sensing-Leitung, Matrix-Bus

Zeilen: PZ1P ≙ Zeile 1, Power-Leitung  
 PZ7S ≙ Zeile 7, Sensing-Leitung } PIN-BUS

ZRE  
 Zubehör der Peripherieerweiterung, vom Anwender einfügen und anschließen  
 Zusatzlogik  
 Zusatzquelle  
 Zwischenadapterkabel

ADA (Adapter) auf  
 ADA (Adapter) zu  
 ADU-Prüfsteckplatz

Bus-Verbinder PIN, MAT, FE freier Steckplatz

gehört zu ...  
 Hellsteuerung

Kontaktbelegung (nebenstehend)

Meß-Bus  
 Meßmasse ≙ Bezugspotential für Meßsignal

Start MKS  
 Steckplatz für Prüfleiterplatte  
 Steuer-Bus

... соединение при использовании блока сопряжения периферийных устройств  
 ... соединение при использовании вакуумного устройства

Соединение контактов:  
 A1 к B1  
 :  
 A29 к B29

Соединительный кабель  
 Соединительный комплект  
 Распределитель  
 Распределительная колодка  
 Кабельный адаптер

... подключается пользователем согласно предписанию (инструкция по эксплуатации, монтажное руководство)

... изготавливается пользователем и подключается согласно руководству

Контактный штырь  
 Сопротивление

Генератор счетных импульсов  
 Строки

Строки: MZ1P ≙ строка 1, сигнальная линия, шина матрицы  
 MZ7S ≙ строка 7, чувствительная линия, шина матрицы

Строки: PZ1P ≙ строка 1, сигнальная линия  
 PZ7S ≙ строка 7, чувствит. линия } Аналог. шина

Микропроцессорный модуль  
 Принадлежности блока сопряжения перифер. устройств, вставляются и подключаются пользователем  
 Дополн. логика  
 Дополнительный источник  
 Промежуточный кабель

Адаптер отсоединен  
 Адаптер подключен

Штекерный разъем для проверки АЦЦ

Шина соединитель PIN, MAT, FE  
 Свободное место со штекерным разъемом

относится к ...

Модуляция по яркости  
 Занятость контактов (представлена еще раз сбоку)

Измерительная шина  
 Измерительная масса ≙ опорному потенциалу для измерительного сигнала

Запуск MKS  
 Штекерный разъем для проверки печатной платы  
 Управляющая шина

... connection for using the periphery extension  
 ... connection for using the vacuum system

Connection of pins:  
 A1 to B1  
 :  
 A29 to B29

Connection cable  
 Set of connection cables  
 Distributor  
 Distributor strip  
 Cable adapter

... to be connected by the user according to given directions (instruction manual, instructions for installation)

... to be made and connected by the user according to given directions

Wire-wrapping pin  
 Resistor

Counting pulse generator  
 Lines

Lines: MZ1P ≙ Line 1, Power lead, Matrix bus  
 MZ7S ≙ Line 7, Sensing lead, Matrix bus

Lines: PZ1P ≙ Line 1, Power lead  
 PZ7S ≙ Line 7, Sensing lead } PIN BUS

CPU Board  
 Accessories of periphery extension to be interconnected by the user  
 Additional logic  
 Additional source  
 Test fixture interface cable

ADAPTER disabled  
 ADAPTER enabled  
 ADC test slot

Bus connectors PIN, MAT, FE  
 Free slot

Pertains to ...  
 Intensity modulation

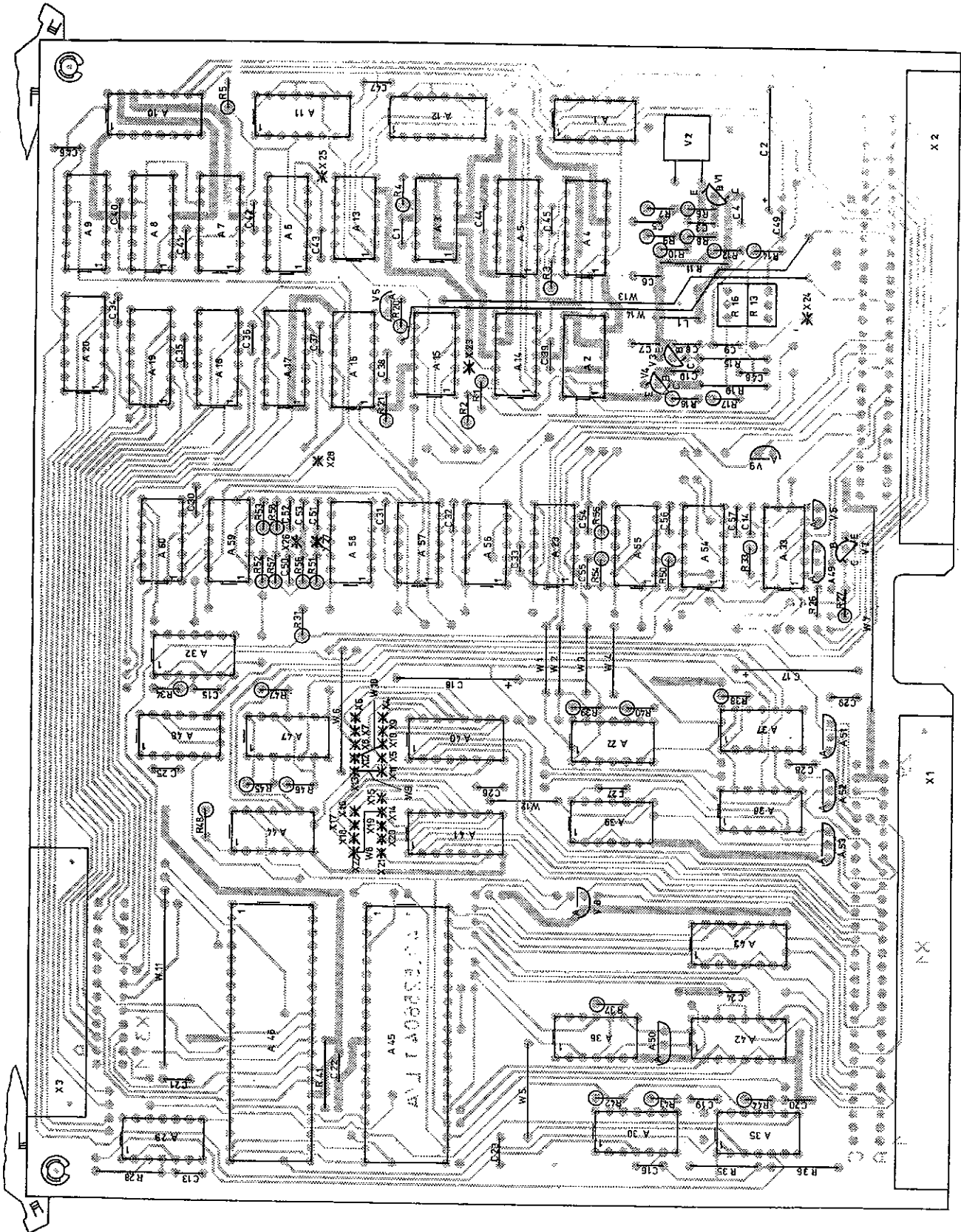
Pin assignment (adjacent)

Measuring Bus  
 Measuring earth ≙ Reference potential for measuring signal

Start MKS  
 Slot for test p. c. board  
 Control Bus







Ansicht Bestückungsseite  
Вид со стороны оснащения  
View of Insertion End

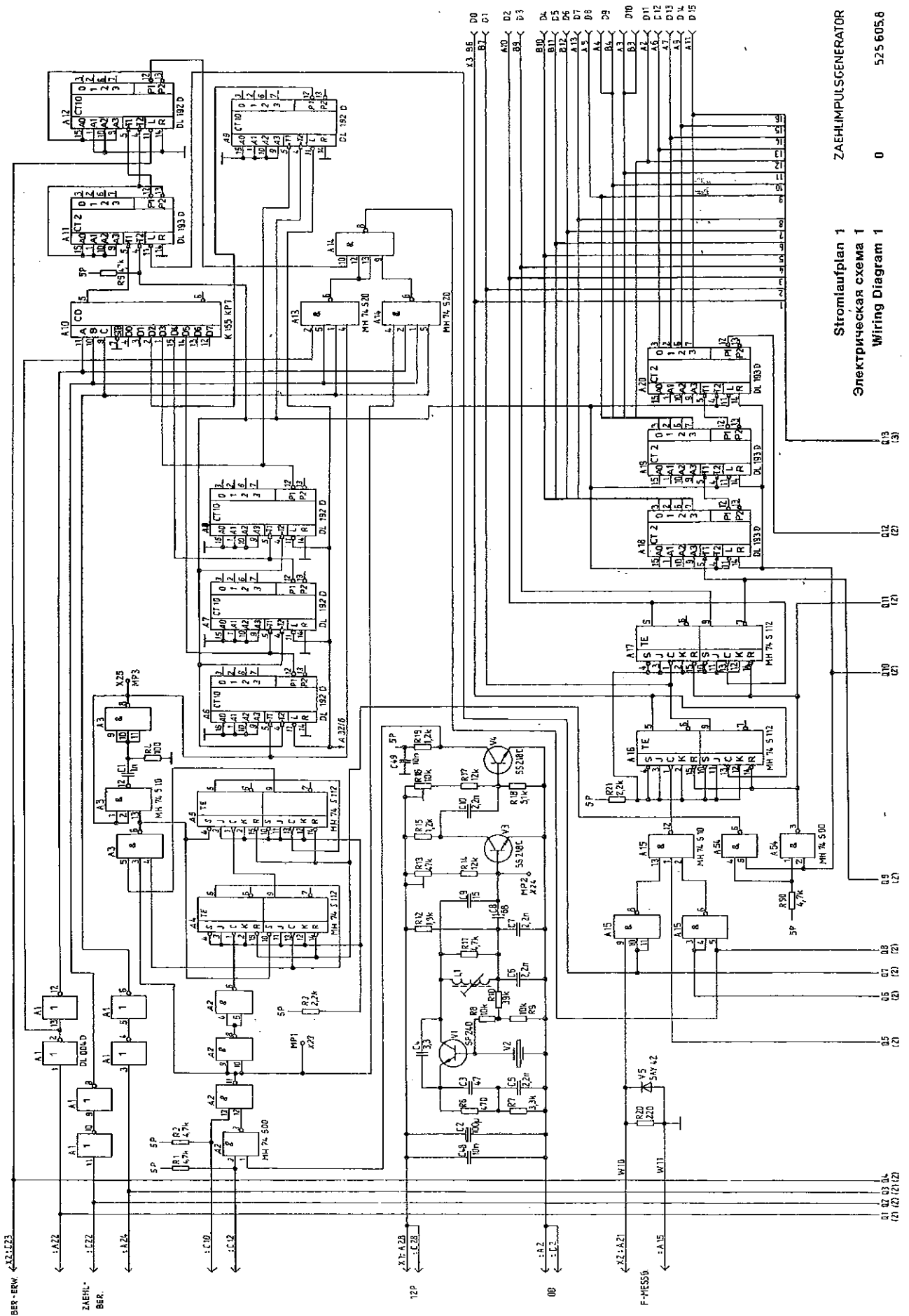
Position der Bauelemente  
Расположение деталей  
Component Location

ZAEHLIMPULSGENERATOR

0 525605.8

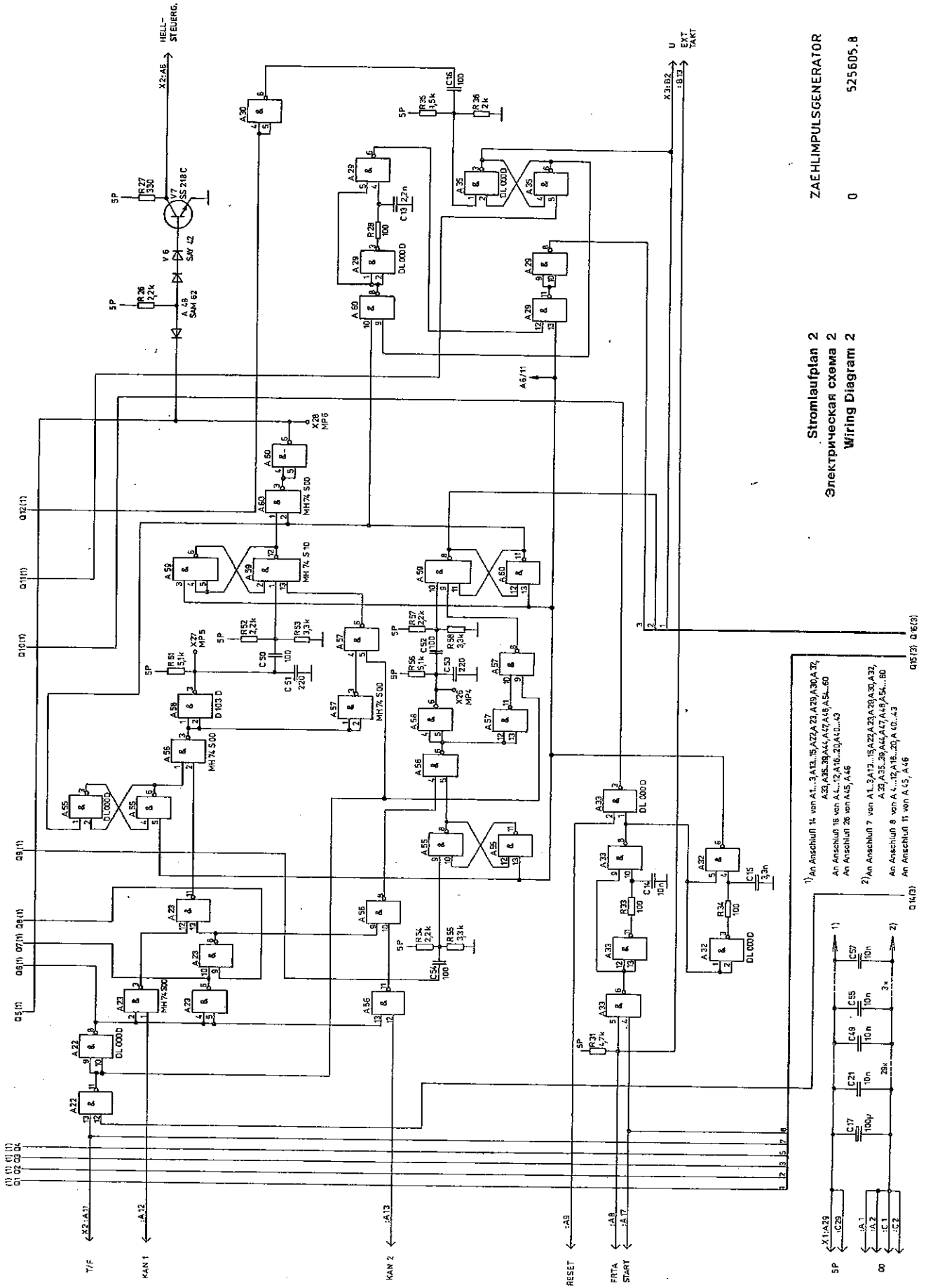
| Kurz-<br>bez. | MKD-<br>Sach-Nr. | B e n e n n u n g             | Standardbezeichnung             | Bemerkungen |
|---------------|------------------|-------------------------------|---------------------------------|-------------|
| A 30          |                  | Zählimpulsgenerator 525_605.8 |                                 |             |
| A 1           | 823 768.8        | Schaltkreis                   | DL 004 D - TGL 39865            |             |
| A 2           | 823 581.3        | Schaltkreis                   | MH 74 S 00                      |             |
| A 3           | 823 582.1        | Schaltkreis                   | MH 74 S 10                      |             |
| A 4 und       |                  |                               |                                 |             |
| A 5           | 823 584.6        | Schaltkreis                   | MH 74 S 112                     |             |
| A 6 bis       |                  |                               |                                 |             |
| A 9           | 823 578.2        | Schaltkreis                   | DL 192 D - TGL 39894            |             |
| A 10          | 820 949.1        | Schaltkreis                   | K 155 KP7                       |             |
| A 11          | 823 367.6        | Schaltkreis                   | DL 193 D - TGL 39894            |             |
| A 12          | 823 578.2        | Schaltkreis                   | DL 192 D - TGL 39894            |             |
| A 13 und      |                  |                               |                                 |             |
| A 14          | 823 583.8        | Schaltkreis                   | MH 74 S 20                      |             |
| A 15          | 823 582.1        | Schaltkreis                   | MH 74 S 10                      |             |
| A 16 und      |                  |                               |                                 |             |
| A 17          | 823 584.6        | Schaltkreis                   | MH 74 S 112                     |             |
| A 18 bis      |                  |                               |                                 |             |
| A 20          | 823 367.6        | Schaltkreis                   | DL 193 D - TGL 39894            |             |
| A 22          | 823 770.2        | Schaltkreis                   | DL 000 D - TGL 39865            |             |
| A 23          | 823 581.3        | Schaltkreis                   | MH 74 S 00                      |             |
| A 29 und      |                  |                               |                                 |             |
| A 30          | 823 770.2        | Schaltkreis                   | DL 000 D-TGL 39 865             |             |
| A 32 und      |                  |                               |                                 |             |
| A 33          | 823 770.2        | Schaltkreis                   | DL 000 D-TGL 39 865             |             |
| A 35 bis      |                  |                               |                                 |             |
| A 39          | 823 770.2        | Schaltkreis                   | DL 000 D-TGL 39 865             |             |
| A 40 und      |                  |                               |                                 |             |
| A 41          | 823 771.0        | Schaltkreis                   | DS 8205 D - TGL 39866           |             |
| A 42 und      |                  |                               |                                 |             |
| A 43          | 823 769.6        | Schaltkreis                   | DS 8216 D - TGL 42622           |             |
| A 44          | 823 583.8        | Schaltkreis                   | MH 74 S 20                      |             |
| A 45 und      |                  |                               |                                 |             |
| A 46          | 820 808.0        | Schaltkreis                   | UB855 D - TGL 42647             |             |
| A 47          | 814 903.6        | Schaltkreis                   | D 103 D - TGL 27148             |             |
| A 48          | 823 770.2        | Schaltkreis                   | DL 000 D - TGL 39865            |             |
| A 49 bis      |                  |                               |                                 |             |
| A 53          | 813 083.8        | Schaltdiode                   | SAM 62 TGL 24546                |             |
| A 54          | 823 581.3        | Schaltkreis                   | MH 74 S 00                      |             |
| A 55          | 823 770.2        | Schaltkreis                   | DL 000 D-TGL 39 865             |             |
| A 56 und      |                  |                               |                                 |             |
| A 57          | 823 581.3        | Schaltkreis                   | MH 74 S 00                      |             |
| A 58          | 823 903.6        | Schaltkreis                   | D 103 D-TGL 27 148              |             |
| A 59          | 823 582.1        | Schaltkreis                   | MH 74 S 10                      |             |
| A 60          | 823 581.3        | Schaltkreis                   | MH 74 S 00                      |             |
| C 1           | 821 691.5        | Kondensator                   | EDVU-V-1/10-63 TGL 35781        |             |
| C 2           | 818 644.2        | Elyt-Kondensator              | 100/16 TGL 38908                |             |
| C 3           | 821 854.8        | Kondensator                   | EDVU-N150-47/10-63 TGL 35780    |             |
| C 4           | 821 396.1        | Kondensator                   | EDVU-P100-3,3/0,5-63 TGL 35780  |             |
| C 5 bis       |                  |                               |                                 |             |
| C 7           | 821 397.8        | Kondensator                   | EDVU-V-2,2/10-63 TGL 35781      |             |
| C 8           | 821 390.4        | Kondensator                   | EDVU-N150-68/10-63 TGL 35780    |             |
| C 9           | 821 855.6        | Kondensator                   | EDVU-NPO-15/10-63 TGL 35780     |             |
| C 10          | 821 397.8        | Kondensator                   | EDVU-V-2,2/10-63 TGL 35781      |             |
| C 13          | 821 397.8        | Kondensator                   | EDVU-V-2,2/10-63 TGL 35781      |             |
| C 14          | 821 136.5        | Kondensator                   | EDVU-Z-10/50-63 TGL 35781       |             |
| C 15          | 821 857.2        | Kondensator                   | EDVU-V-3,3/10-63 TGL 35781      |             |
| C 16          | 821 391.2        | Kondensator                   | EDVU-N150-100/10-63 TGL 35780   |             |
| C 17 und      |                  |                               |                                 |             |
| C 18          | 818 644.2        | Elyt-Kondensator              | 100/16 TGL 38908                |             |
| C 19 und      |                  |                               |                                 |             |
| C 20          | 821 398.6        | Kondensator                   | EDVU-V-4,7/10-63 TGL 35781      |             |
| C 21 bis      |                  |                               |                                 |             |
| C 49          | 821 136.5        | Kondensator                   | EDVU-Z-10/50-63 TGL 35781       |             |
| C 50          | 821 391.2        | Kondensator                   | EDVU-V 150-100/10-63 TGL 35 780 |             |
| C 51          | 921 392.0        | Kondensator                   | EDVU-N 750-220/10-63 TGL 35 780 |             |
| C 52          | 821 391.2        | Kondensator                   | EDVU-N 150-100/10-63 TGL 35 780 |             |
| C 53          | 821 392.0        | Kondensator                   | EDVU-N 750-220/10-63 TGL 35 780 |             |
| C 54          | 821 391.2        | Kondensator                   | EDVU-N 150-100/10-63 TGL 35 780 |             |
| C 55 bis      |                  |                               |                                 |             |
| C 57          | 821 136.5        | Kondensator                   | EDVU-Z-10/50-63 TGL 35 781      |             |

| Kurz-<br>bez. | MKD-<br>Sach-Nr. | B e n e n n u n g                  | Standardbezeichnung |            |                |           | Bemerkungen |
|---------------|------------------|------------------------------------|---------------------|------------|----------------|-----------|-------------|
| L 1           | 529 206.1        | Spule                              |                     |            |                |           |             |
| R 1           | und              |                                    |                     |            |                |           |             |
| R 2           | 813 835.5        | Schichtwiderstand                  | 4,7 kΩ              | 5 %        | 25.207         | TGL 8728  |             |
| R 3           | 813 324.6        | Schichtwiderstand                  | 2,2 kΩ              | 5 %        | 25.207         | TGL 8728  |             |
| R 4           | 813 321.3        | Schichtwiderstand                  | 100 Ω               | 5 %        | 25.207         | TGL 8728  |             |
| R 5           | 813 835.5        | Schichtwiderstand                  | 4,7 kΩ              | 5 %        | 25.207         | TGL 8728  |             |
| R 6           | 813 830.6        | Schichtwiderstand                  | 470 Ω               | 5 %        | 25.207         | TGL 8728  |             |
| R 7           | 813 931.5        | Schichtwiderstand                  | 3,3 kΩ              | 5 %        | 25.207         | TGL 8728  |             |
| R 8           | und              |                                    |                     |            |                |           |             |
| R 9           | 813 838.8        | Schichtwiderstand                  | 10 kΩ               | 5 %        | 25.207         | TGL 8728  |             |
| R 10          | 814 412.8        | Schichtwiderstand                  | 39 kΩ               | 5 %        | 25.207         | TGL 8728  |             |
| R 11          | 813 835.5        | Schichtwiderstand                  | 4,7 kΩ              | 5 %        | 25.207         | TGL 8728  |             |
| R 12          | 815 443.5        | Schichtwiderstand                  | 1,3 kΩ              | 5 %        | 25.207         | TGL 8728  |             |
| R 13          | 822 728.4        | Schichtwiderstand,<br>veränderlich | 47 kΩ               | 20 %       | 513.610        | TGL 27423 |             |
| R 14          | 813 807.4        | Schichtwiderstand                  | 12 kΩ               | 5 %        | 25.207         | TGL 8728  |             |
| R 15          | 814 085.6        | Schichtwiderstand                  | 1,2 kΩ              | 5 %        | 25.207         | TGL 8728  |             |
| R 16          | 822 267.3        | Schichtwiderstand,<br>veränderlich | 10 kΩ               | 20 %       | 513.610        | TGL 27423 |             |
| R 17          | 813 807.4        | Schichtwiderstand                  | 12 kΩ               | 5 %        | 25.207         | TGL 8728  |             |
| R 18          | 815 437.1        | Schichtwiderstand                  | 5,1 kΩ              | 5 %        | 25.207         | TGL 8728  |             |
| R 19          | 814 085.6        | Schichtwiderstand                  | 1,2 kΩ              | 5 %        | 25.207         | TGL 8728  |             |
| R 20          | 813 685.1        | Schichtwiderstand                  | 220 Ω               | 5 %        | 25.207         | TGL 8728  |             |
| R 21          | 813 324.6        | Schichtwiderstand                  | 2,2 kΩ              | 5 %        | 25.207         | TGL 8728  |             |
| R 26          | 813 324.6        | Schichtwiderstand                  | 2,2 kΩ              | 5 %        | 25.207         | TGL 8728  |             |
| R 27          | 813 927.6        | Schichtwiderstand                  | 330 Ω               | 5 %        | 25.207         | TGL 8728  |             |
| R 28          | 813 321.3        | Schichtwiderstand                  | 100 Ω               | 5 %        | 25.207         | TGL 8728  |             |
| R 31          | 813 835.5        | Schichtwiderstand                  | 4,7 kΩ              | 5 %        | 25.207         | TGL 8728  |             |
| R 33          | und              |                                    |                     |            |                |           |             |
| R 34          | 813 321.3        | Schichtwiderstand                  | 100 Ω               | 5 %        | 25.207         | TGL 8728  |             |
| R 35          | 813 929.2        | Schichtwiderstand                  | 1,5 kΩ              | 5 %        | 25.207         | TGL 8728  |             |
| R 36          | 815 515.5        | Schichtwiderstand                  | 2 kΩ                | 5 %        | 25.207         | TGL 8728  |             |
| R 37          | 816 018.5        | Schichtwiderstand                  | 3 kΩ                | 5 %        | 25.207         | TGL 8728  |             |
| R 38          | 813 324.6        | Schichtwiderstand                  | 2,2 kΩ              | 5 %        | 25.207         | TGL 8728  |             |
| R 39          | und              |                                    |                     |            |                |           |             |
| R 40          | 813 838.8        | Schichtwiderstand                  | 10 kΩ               | 5 %        | 25.207         | TGL 8728  |             |
| R 41          | 813 832.2        | Schichtwiderstand                  | 630 Ω               | 5 %        | 25.207         | TGL 8728  |             |
| R 42          | 813 324.6        | Schichtwiderstand                  | 2,2 kΩ              | 5 %        | 25.207         | TGL 8728  |             |
| R 43          | und              |                                    |                     |            |                |           |             |
| R 44          | 813 321.3        | Schichtwiderstand                  | 100 Ω               | 5 %        | 25.207         | TGL 8728  |             |
| R 45          | bis              |                                    |                     |            |                |           |             |
| R 47          | 816 018.5        | Schichtwiderstand                  | 3 kΩ                | 5 %        | 25.207         | TGL 8728  |             |
| R 48          | 813 324.6        | Schichtwiderstand                  | 2,2 kΩ              | 5 %        | 25.207         | TGL 8728  |             |
| R 50          | 813 835.5        | Schichtwiderstand                  | 4,7 kΩ              | 5 %        | 25.207         | TGL 8728  |             |
| R 51          | 815 437.1        | Schichtwiderstand                  | 5,1 kΩ              | 5 %        | 25.207         | TGL 8728  |             |
| R 52          | 813 324.6        | Schichtwiderstand                  | 2,2 kΩ              | 5 %        | 25.207         | TGL 8728  |             |
| R 53          | 813 931.5        | Schichtwiderstand                  | 3,3 kΩ              | 5 %        | 25.207         | TGL 8728  |             |
| R 54          | 813 324.6        | Schichtwiderstand                  | 2,2 kΩ              | 5 %        | 25.207         | TGL 8728  |             |
| R 55          | 813 931.5        | Schichtwiderstand                  | 3,3 kΩ              | 5 %        | 25.207         | TGL 8728  |             |
| R 56          | 815 437.1        | Schichtwiderstand                  | 5,1 kΩ              | 5 %        | 25.207         | TGL 8728  |             |
| R 57          | 813 324.6        | Schichtwiderstand                  | 2,2 kΩ              | 5 %        | 25.207         | TGL 8728  |             |
| R 58          | 813 931.5        | Schichtwiderstand                  | 3,3 kΩ              | 5 %        | 25.207         | TGL 8728  |             |
| V 1           | 816 963.4        | Transistor                         | SF 240              |            | TGL 24341      |           |             |
| V 2           | 823 848.8        | Schwingquarz                       | Q52/E2              | 033 40 MHz | TGL 33585/01   |           |             |
| V 3           | und              |                                    |                     |            |                |           |             |
| V 4           | 804 529.5        | Transistor                         | SS 218 C            |            | TGL 26818      |           |             |
| V 5           | und              |                                    |                     |            |                |           |             |
| V 6           | 812 231.5        | Schaltdiode                        | SAY 42              |            | TGL 200-8466   | L2/4      |             |
| V 7           | 804 529.5        | Transistor                         | SS 218 C            |            | TGL 26818      |           |             |
| V 8           | und              |                                    |                     |            |                |           |             |
| V 9           | 812 231.5        | Schaltdiode                        | SAY 42              |            | TGL 200-8466   | L2/4      |             |
| X 1           | und              |                                    |                     |            |                |           |             |
| X 2           | 820 838.6        | Steckerleiste                      | 304-58              |            | TGL 29331/03   |           |             |
| X 3           | 822 595.7        | Buchsenleiste                      | 202-26              |            | TGL 29331/04-7 |           |             |



Stromlaufplan 1  
Электрическая схема 1  
Wiring Diagram 1

ZAEHLPULSGENERATOR  
0 525 605.8



Stromlaufplan 2  
Электрическая схема 2  
Wiring Diagram 2

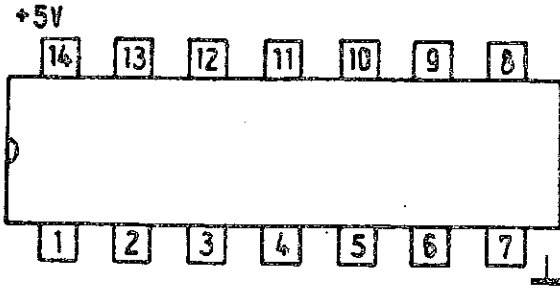
1) An Anschluss 14 von A1...3 A15, 15 A24 A25 A29 A30 A32  
A33 A35 A36 A44 A47 A48 A51 A52 A53  
An Anschluss 18 von A1...12 A16, 20 A11...43  
An Anschluss 26 von A15, A16  
2) An Anschluss 7 von A1...3 A13, 13 A22 A23 A24 A25 A26 A27  
An Anschluss 8 von A1...12 A15, 20 A10...43  
An Anschluss 11 von A15, A16

525605.8

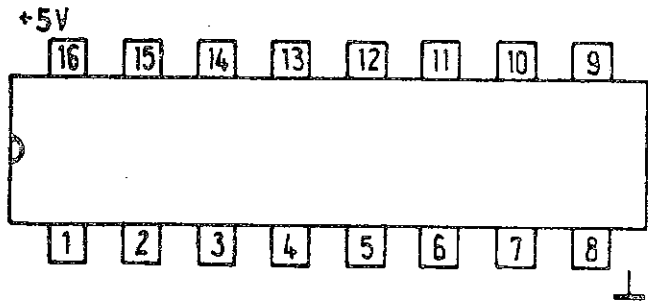
0



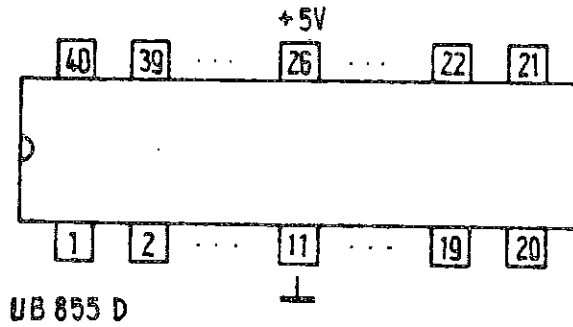
Anschlüsse von oben gesehen



MH 74 500, DL 000 D, D 103 D, DL 006 D,  
MH 74 510, MH 74 520

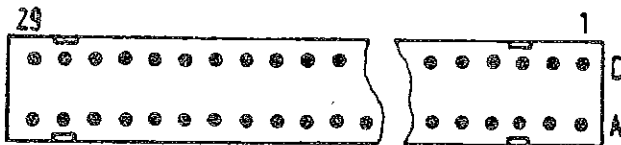


MH 74 5112, DL 192 D, DL 193 D, DS 8205 D, DS 8216 D,  
K 155 KP 7



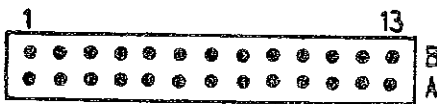
UB 855 D

Anschlüsse auf Lötseite gesehen

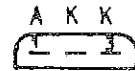


X1, X2

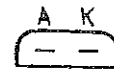
Reihe A kurz abgewinkelt



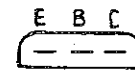
X3



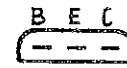
SAM 62



SAY 42



SS 218 C



SF 240

Stromlaufplan 4  
Электрическая схема 4  
Wiring Diagram 4

ZAEHLIMPULSGENERATOR

0

525 605.8