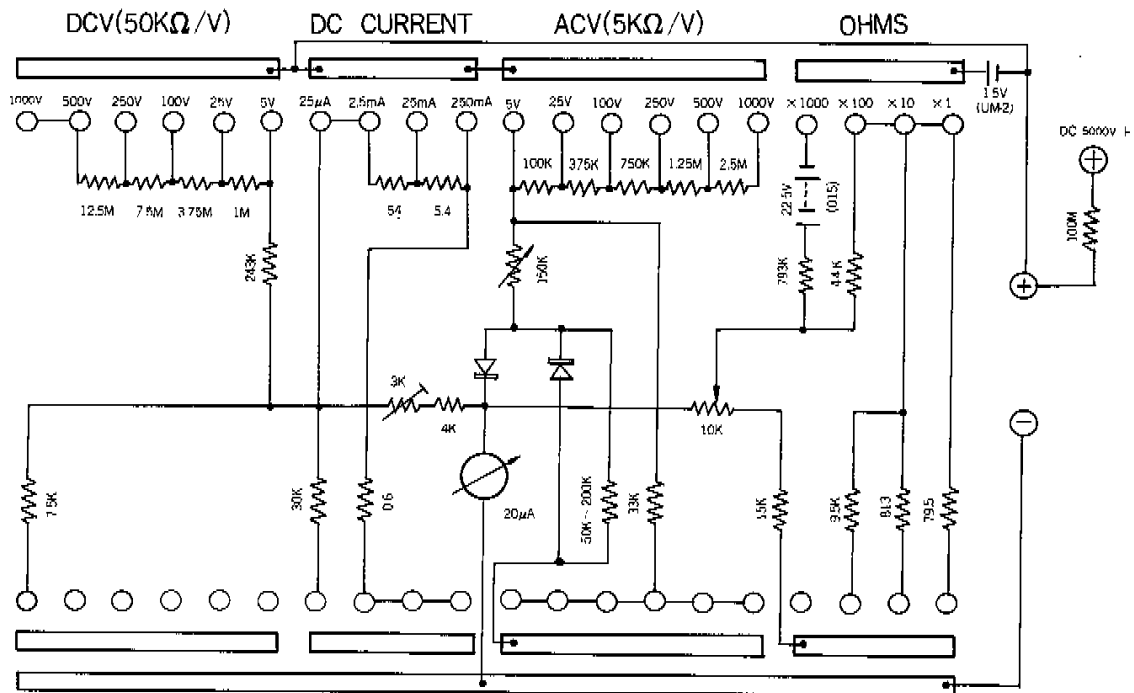


MODEL 320-X SCHEMATIC DIAGRAM

320-X



320-X List of main parts

Symbol	Description
R 1	Resistor (12.5MΩ, film), DC 500V multiplier
R 2	Resistor (7.5MΩ, film), DC 250V multiplier
R 3	Resistor (5.75MΩ, film), DC 100V multiplier
R 4	Resistor (1MΩ, film), DC 25V multiplier
R 5	Resistor (243kΩ, film), DC 5V multiplier
R 6	Resistor (7.5kΩ, film), shunt
R 7	Resistor (3kΩ, film), series (variable)
R 8	Resistor (4kΩ, film), series (variable)
R 9	Resistor (0.6Ω, wirewound), DC 250mA shunt
R10	Resistor (54Ω, wirewound), DC 25mA shunt
R11	Resistor (54Ω, wirewound), DC 2.5mA shunt
R12	Resistor (30kΩ, film), DC 25μA shunt
R13	Resistor (2.5MΩ, film), AC 1000V multiplier
R14	Resistor (1.25MΩ, film), AC 500V multiplier
R15	Resistor (750kΩ, film), 250V multiplier
R16	Resistor (375kΩ, film), AC 100V multiplier
R17	Resistor (100kΩ, film), AC 25V multiplier
R18	Resistor (150kΩ, film), AC 5V multiplier
R19	Resistor (50k-200kΩ, film), AC shunt
R20	Resistor (30k-40kΩ, film), AC sensitivity calibration
R21	Resistor (793kΩ, film), ohm × 1000 series

Symbol	Description
R22	Resistor (44kΩ, film), ohm series
R23	Resistor (9.5kΩ, film), ohm × 100 shunt
R24	Resistor (913Ω, film), ohm × 10 shunt
R25	Resistor (79.5Ω, wirewound), ohm × 1 shunt
R26	Resistor (10kΩ), 0 ohm adjusting potentiometer
R27	Resistor (15kΩ, film), shunt
R28	Resistor (100MΩ, film), DC 5000V multiplier
B 1	Dry cell (1.5 volt)
B 2	Dry cell (22.5 volt)
D1-D2	Copper-oxide rectifier (RF20 type)
P	Panel (320-X type)
	Iron case (320-X type)
BH	Battery holder with holding metal
M	Meter movement (20 microampere)
	Pin type jack 3 required (4φ)
RH	Resistor holder
	Range selector switch
	Range selector switch knob
	Zero ohm adjuster knob
	Meter movement cover & base
	Test lead, pair (4φ)