

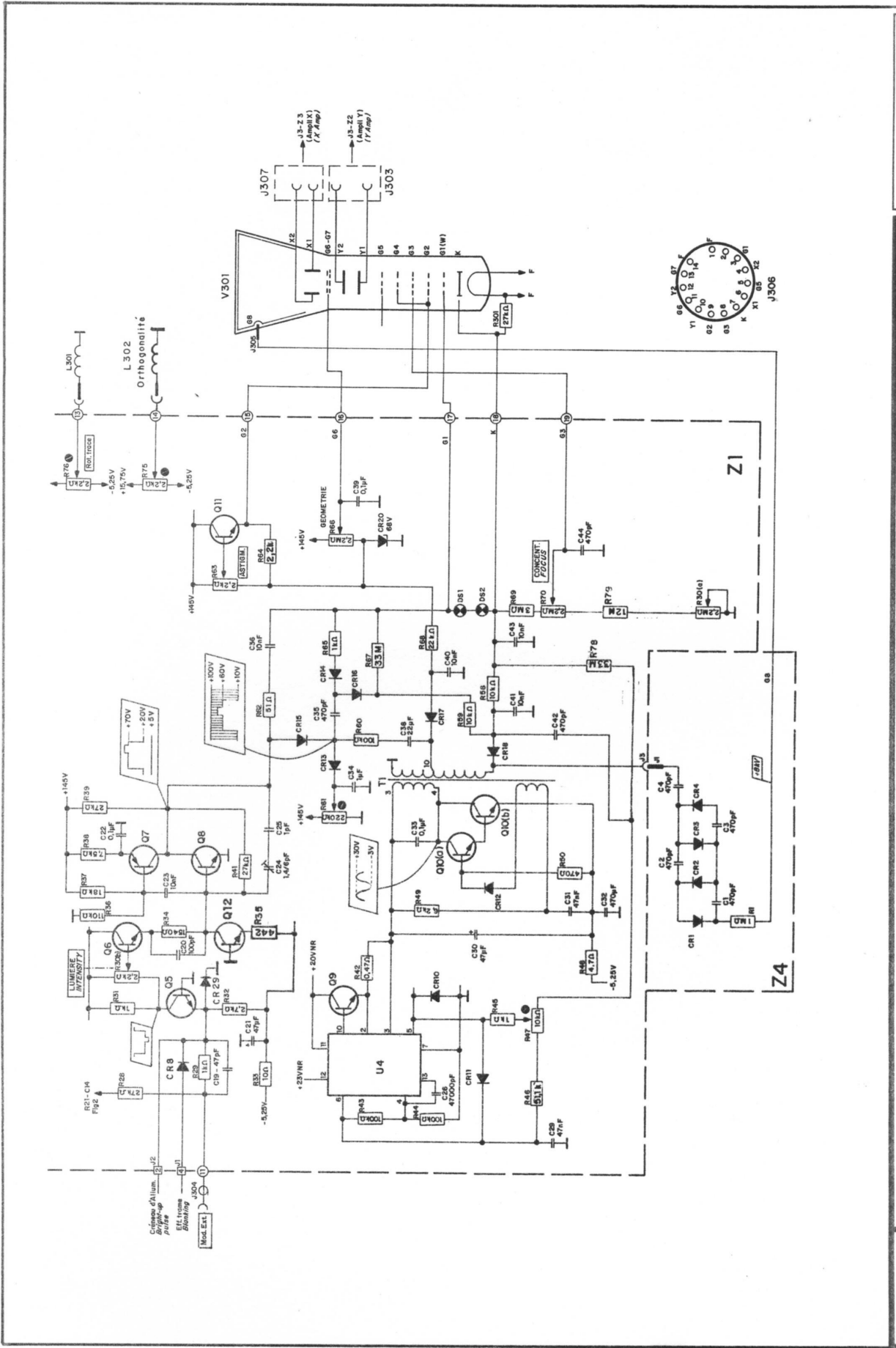
Fig. 1

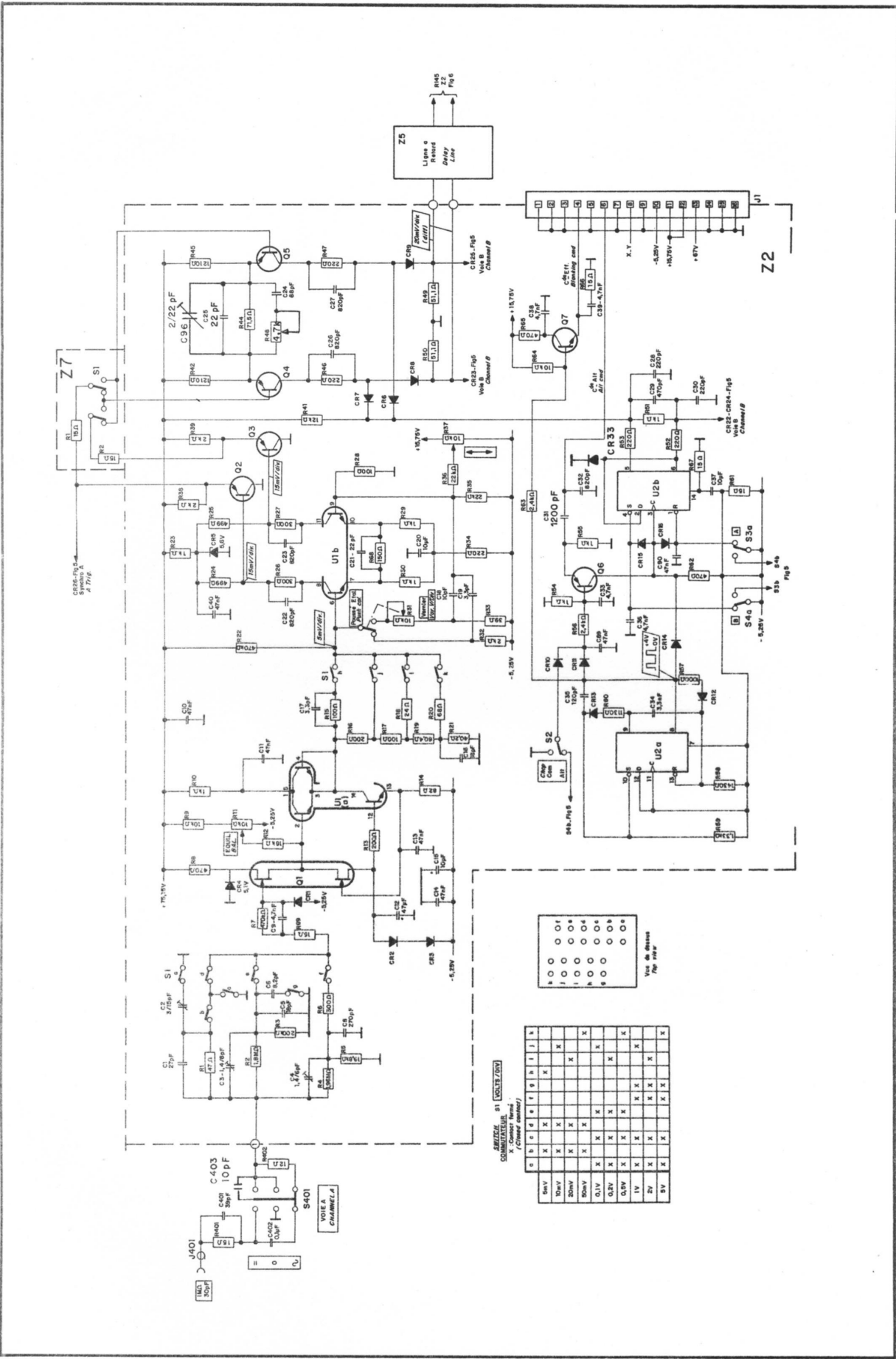
SYNOPTIQUE - INTERCONNEXION

5222

ENERTEC  
Schlumberger





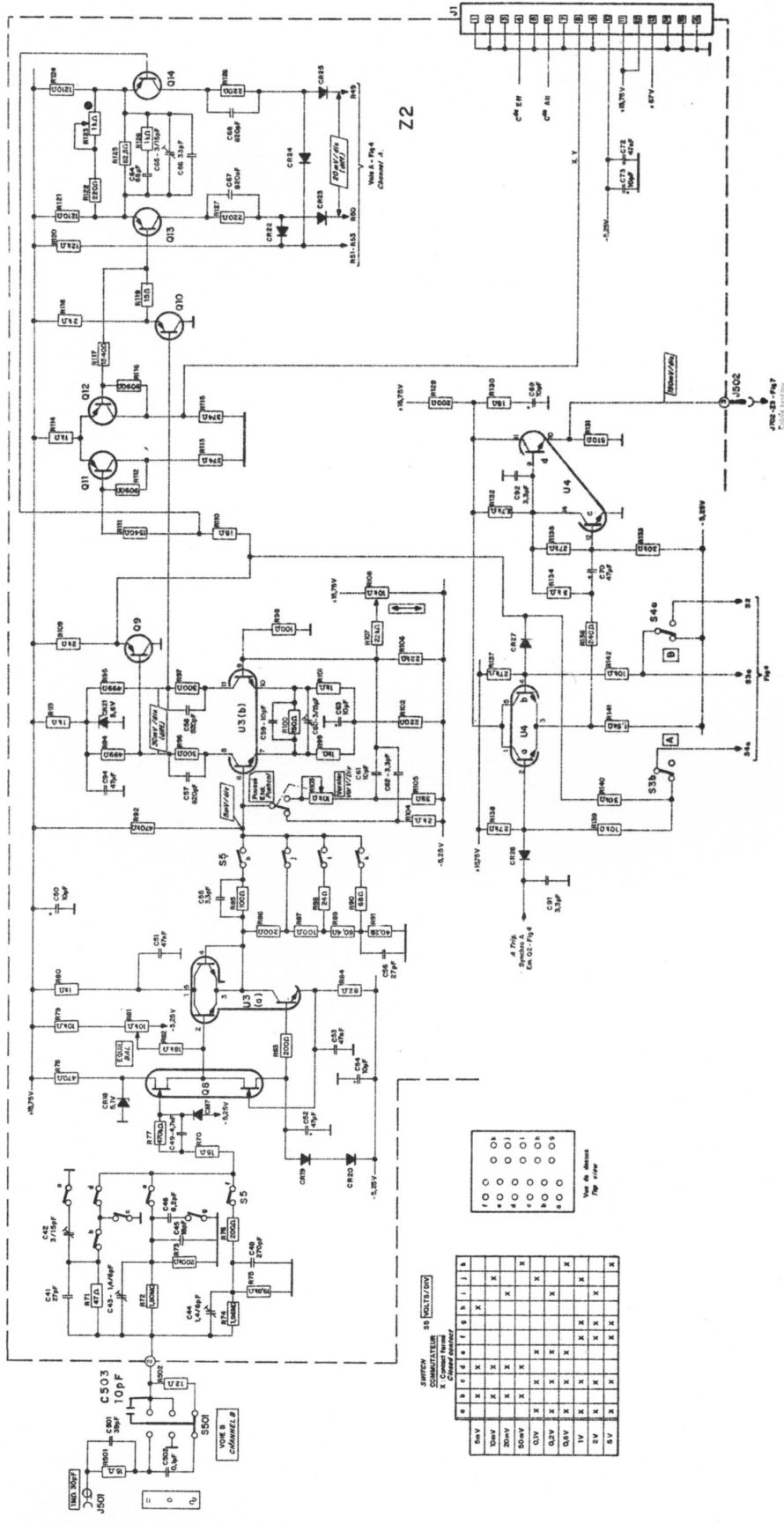


SELEC. 01 (VOIES / Z7)  
COMBINAISON X (Channel / Voies)

	0	1	2	3	4	5	6	7	8	9	10	11	12	13	14	15	16	17	18	19	20	21	22	23	24	25
50V	X	X	X	X	X	X	X	X	X	X	X	X	X	X	X	X	X	X	X	X	X	X	X	X	X	X
20V	X	X	X	X	X	X	X	X	X	X	X	X	X	X	X	X	X	X	X	X	X	X	X	X	X	X
10V	X	X	X	X	X	X	X	X	X	X	X	X	X	X	X	X	X	X	X	X	X	X	X	X	X	X
5V	X	X	X	X	X	X	X	X	X	X	X	X	X	X	X	X	X	X	X	X	X	X	X	X	X	X

Vue de dessus  
Fig. 400

Fig. 4



Z2

Ver. A - Pg. 4  
Channel A

55 DCLTS/DM

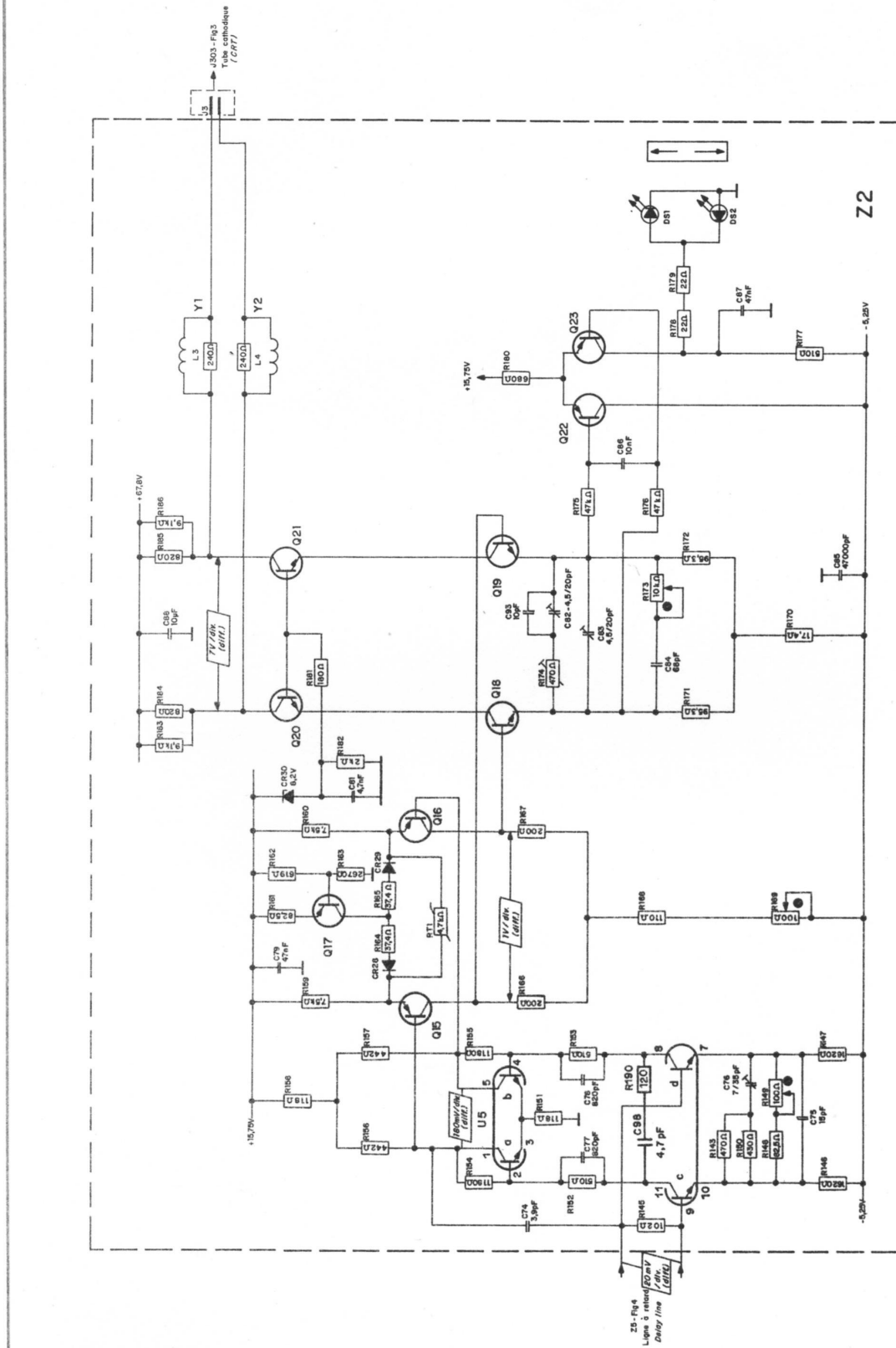
	B	V	T	I	B	I	J	K
18V	X	X	X	X	X	X	X	X
15V	X	X	X	X	X	X	X	X
12V	X	X	X	X	X	X	X	X
9V	X	X	X	X	X	X	X	X
6V	X	X	X	X	X	X	X	X
3V	X	X	X	X	X	X	X	X

Ver. de descom.  
Pag. 1/1

100	00
400	00
800	00
800	00

PREAMPLI Y VOIE B  
CHANNEL B Y PREAMPL.

Fig. 5



22

Fig. 6

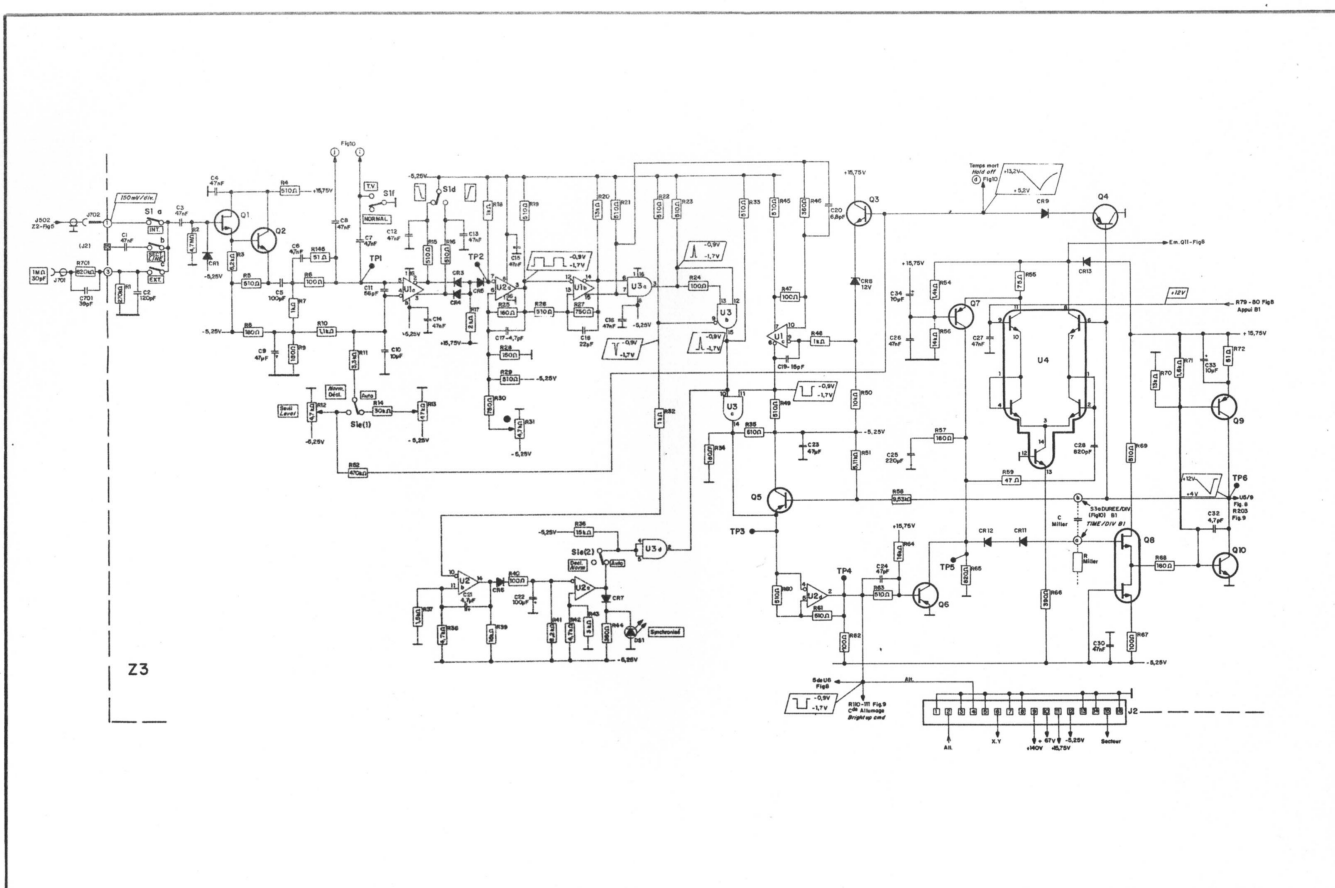


Fig. 7	<b>BASE DE TEMPS B1</b> <i>B1 TIME BASE</i>	5222	<b>ENERTEC</b> <b>Schlumberger</b>
--------	--	------	---------------------------------------

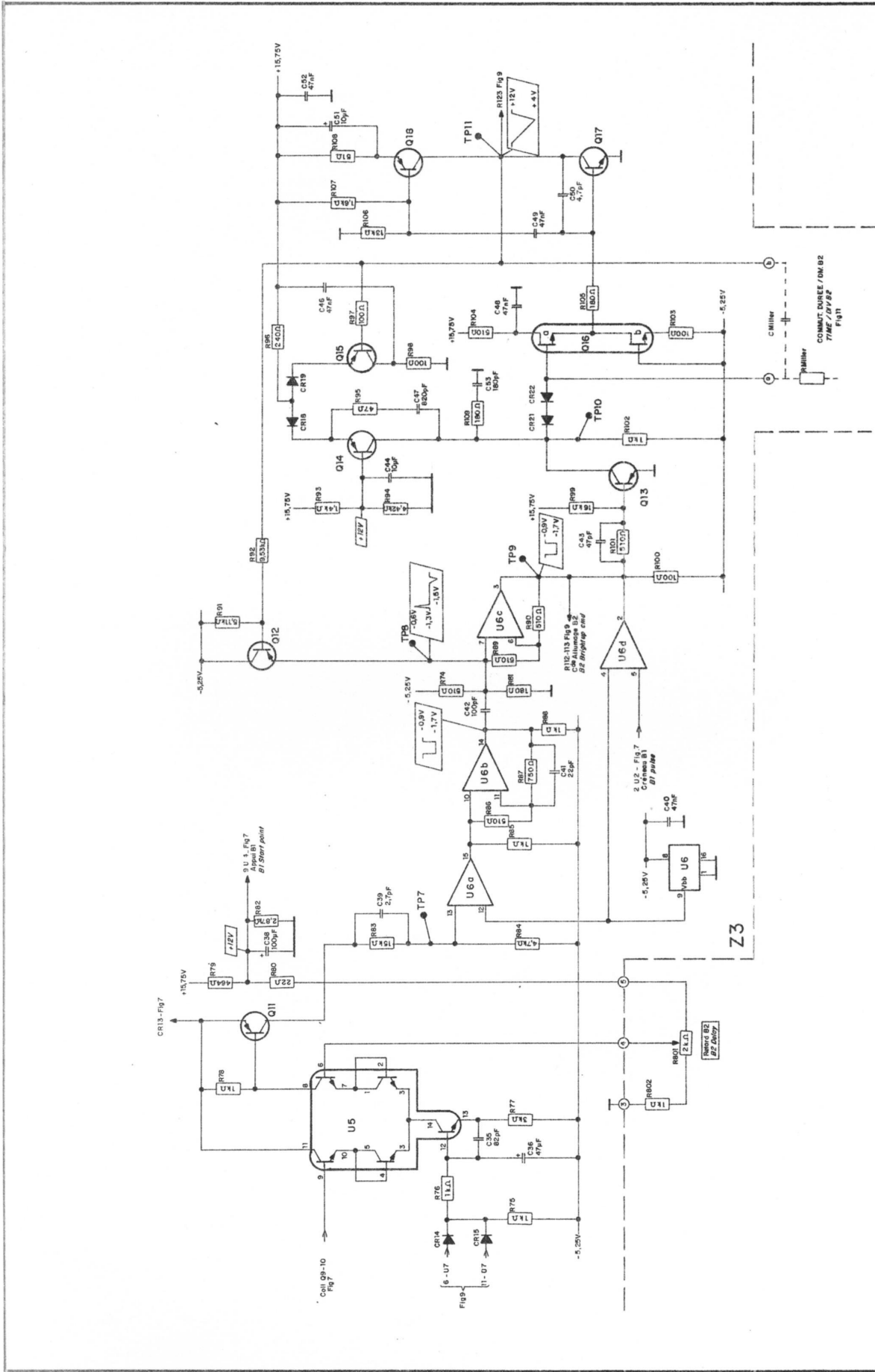


Fig. 8

BASE DE TEMPS B2  
B2 TIME BASE

5222