

RETURN LOSS BRIDGE (Part No. 011-0103-01)

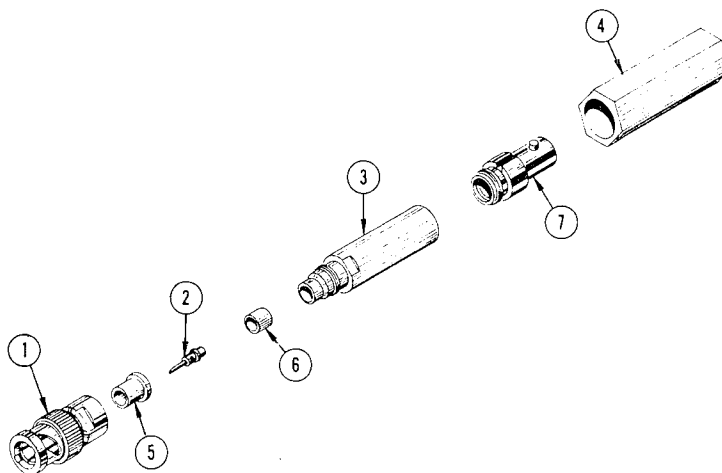
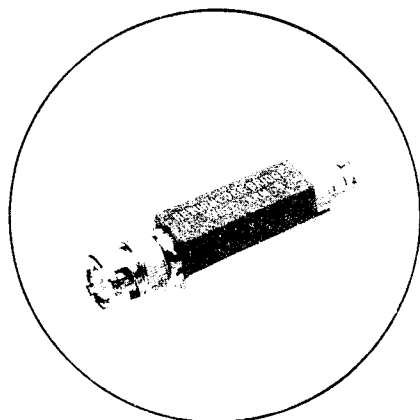


Fig. & Index No.	Tektronix Part No.	Serial/Model No. Eff	Disc	Q						Description
					y	1	2	3	4	
1	134-0044-00			1						1 PLUG, BNC
2	214-0109-01			1						1 PIN, contact, male
3	204-0209-00			1						1 BODY, attenuator, BNC
4	334-1369-01			1						1 SLEEVE, identification, green
5	358-0072-00			1						1 BUSHING, insulator, 0.323 inch long
6	358-0079-00			1						1 BUSHING, insulator, 0.140 inch long
7	131-0318-00			1						1 CONNECTOR, BNC, female
										ELECTRICAL PARTS
	321-0114-07			2						RESISTOR, 150 Ω , 1/8 W, Prec, 1/10%

DATA SHEET

NO. 062-1058-00
DATE JAN. 1969

COPYRIGHT © 1969
TEKTRONIX, INC.
ALL RIGHTS RESERVED