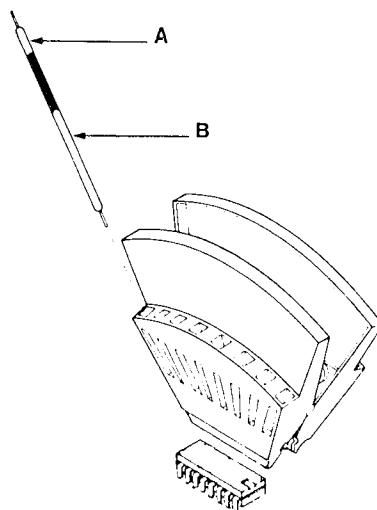


KLIPKIT (013-0197-00)  
FOR P6130, P6131, P6230  
PROBES



#### Description:

The Tektronix Klipkit provides a hands-free connection to an integrated circuit. Tektronix subminiature probes, such as the P6130, P6131, and P6230 may be inserted directly into the clip. Other probes can be used with the clip by first inserting the supplied pins and then attaching the probe to the pin via a retractable hook tip.

A pin (or probe) is inserted into the clip through any of 16 openings located on the top surface until it bottoms out. A pin may be inserted either of two ways:

1. When the shorter of the non-insulated ends (A) is inserted into the clip, the insulated portion of the pin will not allow a connection to the common connection strap. When used in this manner, pins may be used for several or all leads of the IC, allowing each lead to be monitored independent of any other lead.
2. If the longer of the non-insulated ends (B) is inserted into the clip, the non-insulated portion of the pin comes in contact with the common connection strap inside the clip. All other pins installed in the same manner will have a common signal connection. This is most useful when a common ground connection is desired.

Product Includes: Two (2) IC Klips (16 contacts each), four (4) grounding pins, (1) Information Sheet.

Price: \$40 USDC, A-1 Schedule 1 discounts apply.

Orderable: Week 27, July 14, 1985

Order Information: 013-0197-00 for Klipkit

Optional Accessories: Package of eight (8) grounding pins (131-3288-02) - \$24 USDC

Contact: Phil Applebee - (206) 253-5462  
Accessories Marketing - C1-820

SAIKOM  
885-07-23  
2001