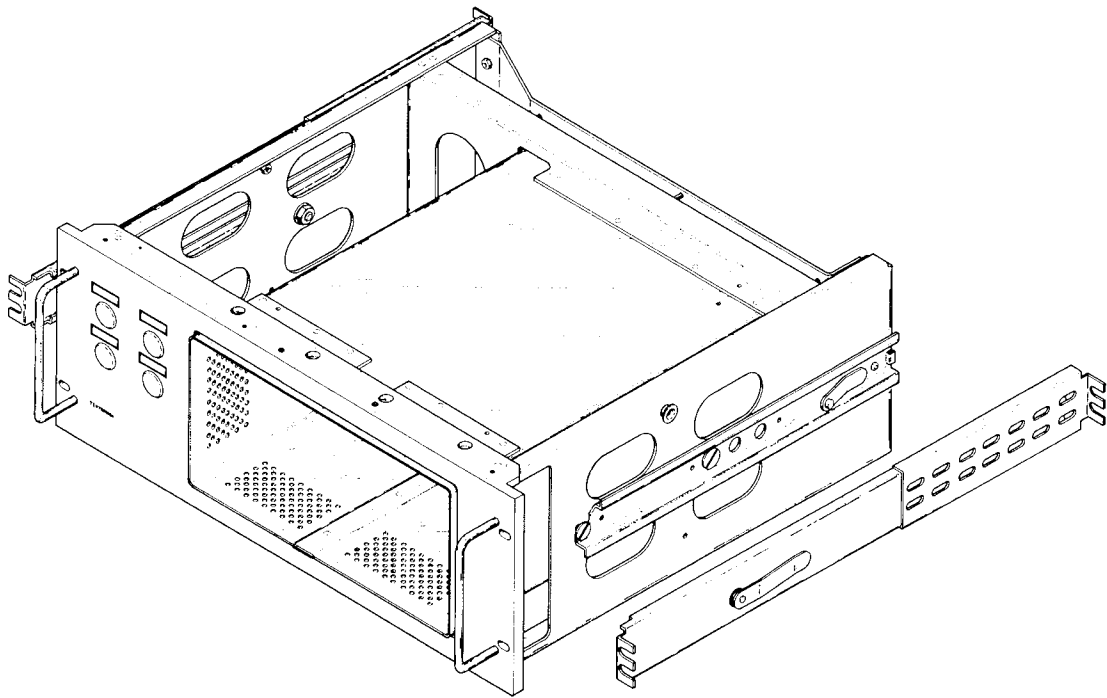


**RACK ADAPTER**  
(Part No. 016-0556-00)



NO. 062-1601-00

DATE MAR.1976 (R)

COPYRIGHT © 1973  
TEKTRONIX INC.  
ALL RIGHTS RESERVED

The rack adapter cabinet provides the proper electrical environment for the instrument, reduces dust collection, reduces handling damage to a minimum, and provides a means for mounting the instrument solidly to a surface such as a rack or console.

**RACK ADAPTER INSTALLATION:**

1. Disconnect the instrument power cord from the power source.
2. If the delay line cover is not in place, install the cover on the top of the main chassis. Check all sections of the instrument where parts were removed or replaced for proper assembly.
3. Set the bottom of the Rack Adapter on a flat surface, pull the power cord through the cabinet portion of the Rack Adapter and slide the instrument rearward using both hands (front and rear) to lift and guide the instrument until fully inserted. Use care to avoid pinching cables or damaging components that protrude from circuit boards.
4. Check that the front edge of the cabinet portion of the Rack Adapter is inserted into the braided gasket groove around the full periphery of the instrument front-frame. Pull the power cord through the blue plastic rear frame, align the frame for proper fit at the regulating-range selector cover, and work the frame into place.
5. Apply the rear support bracket to the rear of the Rack Adapter. Install, without tightening, 6 screws that secure the rear support bracket through the blue plastic frame to the rear of the instrument and 4 screws that secure the rear support bracket to the angle bracket and to the Rack Adapter chassis.
6. Check that all parts of the complete assembly are properly seated, then tighten to a snug fit the screws at the rear of the instrument and the screws at the adapter chassis. Do not overtighten these screws.
7. Install 2 setscrews at the top-front of the Rack Adapter chassis. (A 0.125 inch Allen wrench is required to install the setscrews).
8. At the rear of each Rack Adapter slide section which is bolted to the Rack Adapter, there has been a screw installed to prevent shifting during shipment. Remove these screws. Mount the Rack Adapter slide sections to the rack slide assemblies, connect the power cord, connect any interconnecting cables, push the Rack Adapter into final operating position, and install the adapter-to-rack hardware.

## CROSS INDEX MFR. CODE NUMBER TO MANUFACTURER

MFR.CODE	MANUFACTURER	ADDRESS	CITY,STATE,ZIP
06540	AMATOM ELECTRONIC HARDWARE, DIV. OF MITE CORP.	446 BLAKE ST.	NEW HAVEN, CT 06515
56878	STANDARD PRESSED STEEL CO.	BOX 608 BENSON EAST	JENKINTOWN, PA 19046
63743	WARD LEONARD ELECTRIC CO., INC.	31 SOUTH STREET	MOUNT VERNON, NY 10550
80009	TEKTRONIX, INC.	P.O. BOX 500	BEAVERTON, OR 97077
83385	CENTRAL SCREW CO.	2530 CRESCENT DRIVE	BROADVIEW, IL 60153

**EXPLODED VIEW**

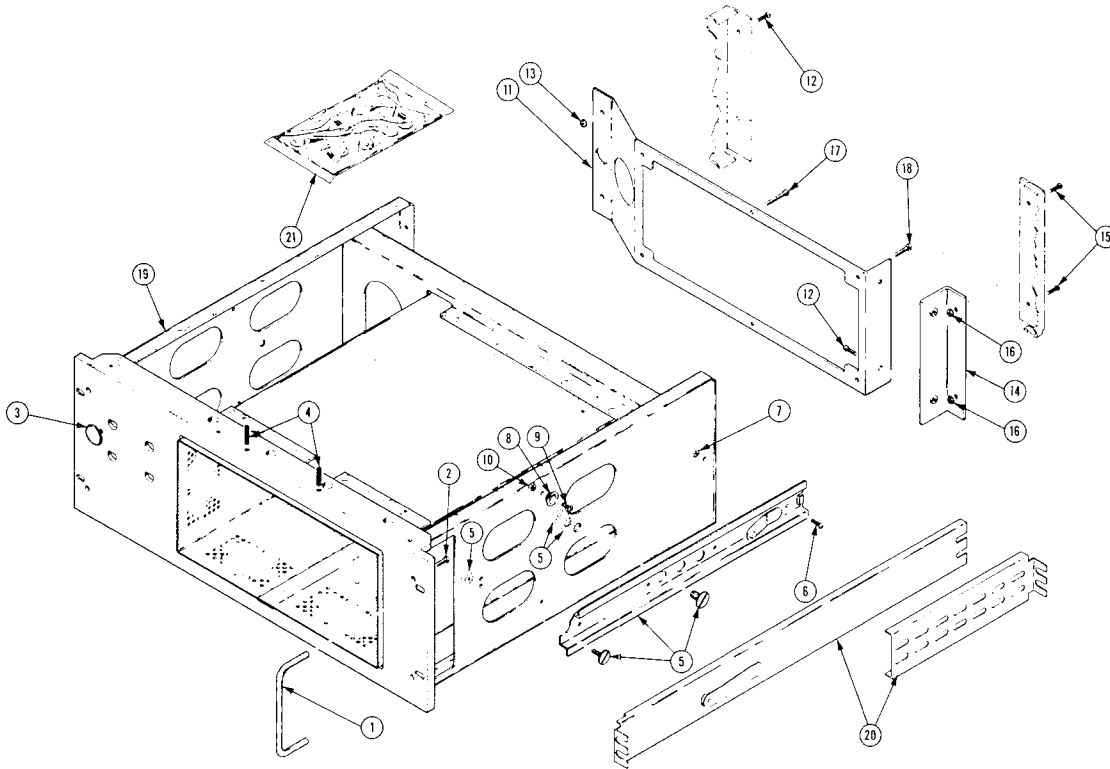


Fig. & Index No.	Tektronix Part No.	Serial/Model No. Eff	Dscont	Qty	1	2	3	4	5	Name & Description	Mfr Code	Mfr Part Number
	016-0556-00			1						ADPTR,RACK MTG:KIT	80009	016-0556-00
-1	367-0022-00			2						. HANDLE,BOW:1.5 X 4.5 INCH (ATTACHING PARTS FOR EACH)	06540	10353-B-1032-25A
-2	213-0090-00			2						. SCREW,MACHINE:10-32 X 0.50 INCH,HEX -----*	83385	OBD
-3	134-0067-00			4						. BUTON,PLUG:GRAY PLASTIC	80009	134-0067-00
-4	213-0334-00			2						. SETSCREW:0.250-28 X 0.750 INCH,SOC STL	56878	OBD
-5	351-0104-00			1						. SLIDE SECT.,DWR:PAIR (ATTACHING PARTS)	80009	351-0104-00
-6	212-0023-00			2						. SCREW,MACHINE:8-32 X 0.375 INCH,PNH STL	83385	OBD
-7	210-0458-00			2						. NUT,PLAIN,EXT W:8-32 X 0.344 INCH,STL -----*	83385	OBD
-8	210-0808-00			2						. EYELET,METALLIC:CENTERING (ATTACHING PARTS FOR EACH)	63743	2515113-3TP-909
-9	211-0507-00			1						. SCREW,MACHINE:6-32 X 0.312 INCH,PNH STL	83385	OBD
-10	210-0457-00			1						. NUT,PLAIN,EXT W:6-32 X 0.312 INCH,STL -----*	83385	OBD
-11	386-2669-00			1						. SUPPORT,CABINET:REAR (ATTACHING PARTS)	80009	386-2669-00
-12	212-0023-00			4						. SCREW,MACHINE:8-32 X 0.375 INCH,PNH STL	83385	OBD
-13	210-0458-00			2						. NUT,PLAIN,EXT W:8-32 X 0.344 INCH,STL -----*	83385	OBD
-14	407-1350-00			1						. BRACKET,ANGLE:REAR (ATTACHING PARTS)	80009	407-1350-00
-15	212-0023-00			2						. SCREW,MACHINE:8-32 X 0.375 INCH,PNH STL	83385	OBD
-16	210-0458-00			2						. NUT,PLAIN,EXT W:8-32 X 0.344 INCH,STL -----*	83385	OBD
-17	211-0517-00			2						. SCREW,MACHINE:6-32 X 1 INCH,PNH,STL	83385	OBD
-18	212-0033-00			4						. SCREW,MACHINE:8-32 X 0.750 INCH,PNH STL	83385	OBD
-19	437-0154-01			1						. CABINET,SCOPE:	80009	437-0154-01
-20	351-0101-00			1						. SLIDE,DWR,EXT:PAIR	80009	351-0101-00
-21	016-0099-00			1						. HDW KIT,ELEK EQ:	80009	016-0099-00