

INSTRUCTION

MANUAL

MODIFICATION INSERT

DUAL TRACE AMPLIFIER COMPATIBILITY IMPROVEMENT

5A18N SN B010100 - B128130

Installed in SN _____ Date _____

This modification insert is provided to supplement the Instruction Manual for the above listed products. The information given in this insert supersedes that given in the Manual.

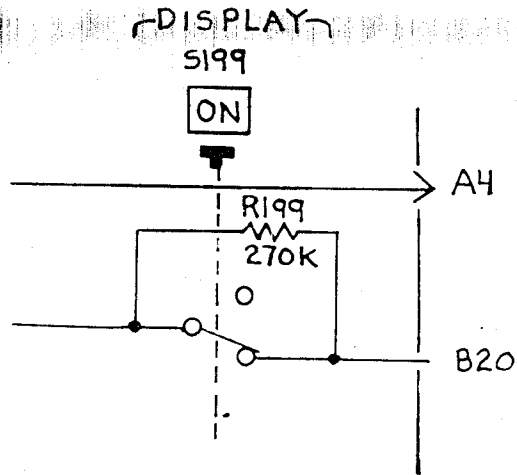
Copyright © 1980 by Tektronix, Inc., Beaverton, Oregon. Printed in the United States of America. All rights reserved. Contents of this insert may not be reproduced in any form without the permission of the copyright owner.

GENERAL INFORMATION

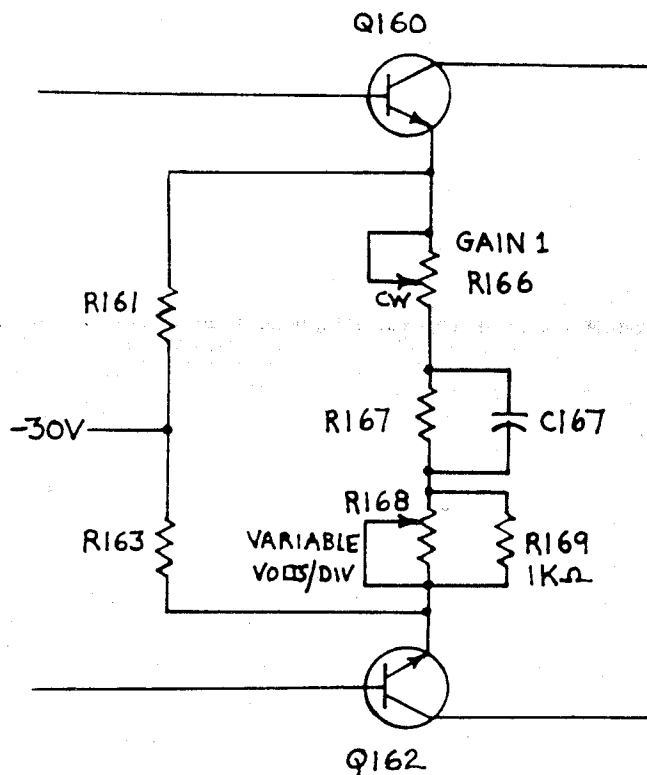
This modification kit contained the necessary parts and instructions to make the 5A18N Dual Trace Amplifier plug-in compatible with the 5223 oscilloscope mainframe. Component changes were made on the Main circuit board to reduce cross-talk between vertical channels and to ensure dual trace information is stored in memory in the correct format when the DISPLAY switch is in the OFF position.

REPLACEABLE ELECTRICAL PARTS

Ckt. No.	Part Number	Description
C167	281-0542-00	Capacitor, cer, 18pF 10% 500V
C267	281-0542-00	Capacitor, cer, 18pF 10% 500V
C308	281-0759-00	Capacitor, cer, 22pF 10% 100V
Q180	151-1059-00	Transistor, FET, N-chan
Q182	151-1059-00	Transistor, FET, N-chan
Q280	151-1059-00	Transistor, FET, N-chan
Q282	151-1059-00	Transistor, FET, N-chan
R161	321-0265-00	Resistor, film, 5.62k Ω 1% 0.1125W
R163	321-0265-00	Resistor, film, 5.62k Ω 1% 0.125W
R167	321-0145-00	Resistor, film, 316 Ω 1% 0.125W
R169	315-0102-00	Resistor, cmprsn, 1k Ω 5% 0.25W
R177	321-0268-00	Resistor, film, 6.04k Ω 1% 0.125W
R178	321-0268-00	Resistor, film, 6.04k Ω 1% 0.125W
R179	321-0192-00	Resistor, film, 976 Ω 1% 0.125W
R181	315-0302-00	Resistor, cmprsn, 3k Ω 5% 0.25W
R183	315-0302-00	Resistor, cmprsn, 3k Ω 5% 0.25W
R187	321-0130-00	Resistor, film, 221 Ω 1% 0.125W
R189	321-0130-00	Resistor, film, 221 Ω 1% 0.125W
R199	315-0274-00	Resistor, cmprsn, 270k Ω 5% 0.25W
R261	321-0265-00	Resistor, film, 5.62k Ω 1% 0.125W
R263	321-0265-00	Resistor, film, 5.62k Ω 1% 0.125W
R267	321-0145-00	Resistor, film, 316 Ω 1% 0.125W
R269	315-0102-00	Resistor, cmprsn, 1k Ω 5% 0.25W
R277	321-0268-00	Resistor, film, 6.04k Ω 1% 0.125W
R278	321-0268-00	Resistor, film, 6.04k Ω 1% 0.125W
R279	321-0192-00	Resistor, film, 976 Ω 1% 0.125W
R281	315-0302-00	Resistor, cmprsn, 3k Ω 5% 0.25W
R283	315-0302-00	Resistor, cmprsn, 3k Ω 5% 0.25W
R287	321-0130-00	Resistor, film, 221 Ω 1% 0.125W
R289	321-0130-00	Resistor, film, 221 Ω 1% 0.125W
R306	315-0182-00	Resistor, cmprsn, 1.8k Ω 5% 0.25W
R308	321-0336-00	Resistor, film, 30.9k Ω 1% 0.125W
R309	321-0332-00	Resistor, film, 28.0k Ω 1% 0.125W



Partial DUAL TRACE AMPLIFIER schematic showing added R199.



Partial DUAL TRACE AMPLIFIER schematic showing added R169 in CH1. CH2 is the same with corresponding circuit numbers (R269 added).