

INSTRUCTION

MANUAL

MODIFICATION INSERT

DUAL DIFFERENTIAL AMPLIFIER COMPATIBILITY IMPROVEMENT

5A26 SN B010100 - B049999

Installed in SN _____ Date _____

This modification insert is provided to supplement the Instruction Manual for the above listed products. The information given in this insert supersedes that given in the Manual.

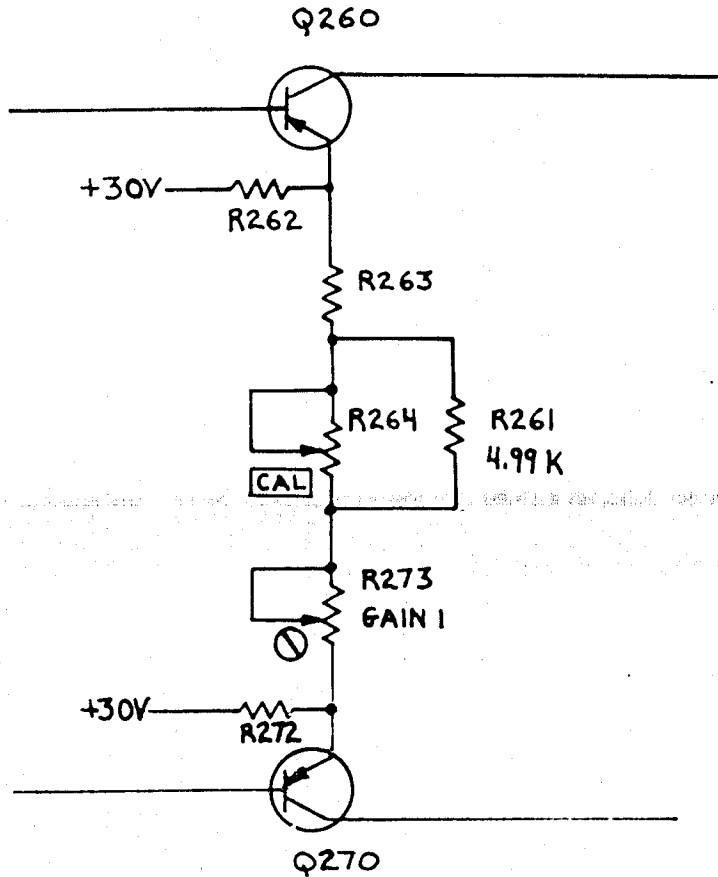
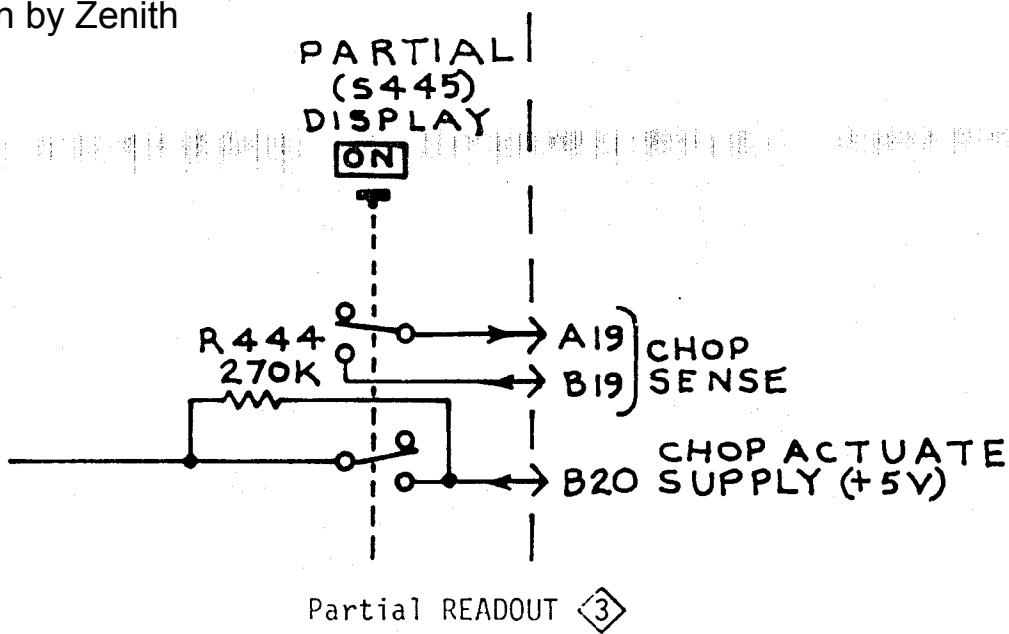
Copyright © 1980 by Tektronix, Inc., Beaverton, Oregon. Printed in the United States of America. All rights reserved. Contents of this insert may not be reproduced in any form without the permission of the copyright owner.

GENERAL INFORMATION

This modification kit contained the necessary parts and instructions to make the 5A25 Dual Differential Amplifier plug-in compatible with the 5223 oscilloscope mainframe. Component changes were made on the Main circuit board to reduce crosstalk between vertical channels and to ensure dual trace information is stored in memory in the correct format when the DISPLAY switch is in the OFF position.

REPLACEABLE ELECTRICAL PARTS

Ckt. No.	Part Number	Description
C389	281-0115-00	Capacitor, cer, 47pF 5% 200V
Q282	151-1025-00	Transistor, FET, N-chan, Si
Q292	151-1025-00	Transistor, FET, N-chan, Si
Q382	151-1025-00	Transistor, FET, N-chan, Si
Q392	151-1025-00	Transistor, FET, N-chan, Si
R261	321-0260-00	Resistor, film, 4.99k Ω 1% 0.125W
R262	321-0257-00	Resistor, film, 4.64k Ω 1% 0.125W
R263	321-0181-00	Resistor, film, 750 Ω 1% 0.125W
R268	321-0295-00	Resistor, film, 11.5k Ω 1% 0.125W
R272	321-0257-00	Resistor, film, 4.64k Ω 1% 0.125W
R273	311-1566-00	Resistor, var, nonww, trmr, 200 Ω 0.5W
R278	321-0295-00	Resistor, film, 11.5k Ω 1% 0.125W
R279	321-0661-00	Resistor, film, 600 Ω 1% 0.125W
R284	321-0130-00	Resistor, film, 221 Ω 1% 0.125W
R294	321-0130-00	Resistor, film, 221 Ω 1% 0.125W
R361	321-0260-00	Resistor, film, 4.99k Ω 1% 0.125W
R362	321-0257-00	Resistor, film, 4.64k Ω 1% 0.125W
R363	321-0181-00	Resistor, film, 750 Ω 1% 0.125W
R368	321-0295-00	Resistor, film, 11.5k Ω 1% 0.125W
R372	321-0257-00	Resistor, film, 4.64k Ω 1% 0.125W
R373	311-1566-00	Resistor, var, nonww, trmr, 200 Ω 0.5W
R378	321-0295-00	Resistor, film, 11.5k Ω 1% 0.125W
R379	321-0661-00	Resistor, film, 600 Ω 1% 0.125W
R384	321-0130-00	Resistor, film, 221 Ω 1% 0.125W
R387	321-0332-00	Resistor, film, 28.0k Ω 1% 0.125W
R389	321-0338-00	Resistor, film, 32.4k Ω 1% 0.125W
R394	321-0130-00	Resistor, film, 221 Ω 1% 0.125W
R444	315-0274-00	Resistor, cmpsn, 270k Ω 5% 0.25W



Partial OUTPUT AMPLIFIERS 3 showing added R261 in CH1. CH2 is the same with corresponding circuit numbers (R361 added).