



045-0127-01

M62553

U600, U610, U620 AND U630 REPLACEMENT

For TEKTRONIX® 370 PROGRAMMABLE CURVE TRACER

Serial Numbers 300000 TO 300296

This kit contains parts and instructions to replace the firmware on the CPU circuit board A2. Firmware, version 2.1, must be replaced as an complete set. The new firmware improves existing functions and adds new functions.

CAUTION

STATIC SENSITIVE DEVICES

Static discharge can damage any semiconductor component in this instrument. Static voltages of 1kV to 30kV are common in unprotected environments.

TO AVOID DAMAGE, OBSERVE THE FOLLOWING:

1. Minimize handling of static-sensitive components.
2. Transport and store static-sensitive components or assemblies in their original containers, on a metal rail, or on conductive foam. Label any package that contains static-sensitive assemblies or components.
3. Discharge the static voltage from your body by wearing a wrist-strap while handling these components. Servicing static-sensitive assemblies or components should be performed only at a static-free work station by qualified service personnel.
4. Nothing capable of generating or holding a static charge should be allowed on the work station surface.
5. Keep the component leads shorted together whenever possible.
6. Pick up components by the body, never by the leads.
7. Do not slide the components over any surface.
8. Avoid handling components in areas that have a floor or work-surface covering capable of retaining a static-charge.
9. Use a soldering iron that is connected to earth ground.
10. Use only approved, anti-static type, desoldering tools.

KIT PARTS LIST:

Ckt. Number	Quantity	Part Number	Description
U600	1 ea	160-3910-02	Microckt, dgtl: EPROM
U610	1 ea	160-3911-02	Microckt, dgtl: EPROM
U620	1 ea	160-3912-02	Microckt, dgtl: EPROM
U630	1 ea	160-3913-02	Microckt, dgtl: EPROM
	1 ea	-----	Label, circuit board, marked "01"
	1 ea	-----	Label, 045-kit

INSTRUCTIONS:

WARNING

Dangerous shock hazards may be exposed when the instrument covers are removed. Before proceeding, ensure the mainframe power switch is in the off position. Then, disconnect the instrument from the power source. Disassembly should only be attempted by qualified service personnel.

NOTE

These instructions assume a familiarity with the instrument. If additional assembly or disassembly details are required, refer to the 370 instruction manual.

- () 1. Remove the 2 screws from the top rear cover retainers and the 1 screw that secure the top cover to the instrument. Slide the top cover to the rear then lift away from the instrument (refer to figure 1).
- () 2. Remove both chrome plated circuit board retainers from the top of the card cage. The guides are retained by a screw on one end and the other end catches in a bracket.
- () 3. Pull out on the hinged levers (circuit board ejectors) at the front and rear edges of the CPU circuit board A2. Slide the circuit board upward until the circuit board separates from the instrument.
- () 4. Remove U600, U610, U620 and U630 from the CPU circuit board A2, noting pin 1. Install the new microcircuits that are provided in this kit. Make sure pin 1 is in the correct position when installing each microcircuit (refer to figure 2).
- () 5. Remove the protective backing from the "01" label, provided in the kit, and apply it on top of the last two digits of the circuit board part number, 670-9304-00.

- () 6. Slide the CPU circuit board into the plastic guides at each end of the card cage. Lower the circuit board into position making sure it is firmly connected to the instrument. Lower levers to lock the circuit board into position.
- () 7. Replace both chrome plated circuit board retainers using the hardware removed in step 2.
- () 8. Turn the instrument's power ON, push the FAST/SHIFT and ID buttons, for firmware upgrade verification.
- () 9. Replace the side covers with hardware removed in step 1.
- () 10. Remove the protective backing from the 045-kit label, and apply it on a clean flat surface on the rear panel of the instrument. This label indicates that this modification has been installed.
- () 11. For future reference, fasten the attached Instruction Manual Modification insert to the 370 Instruction Manual.

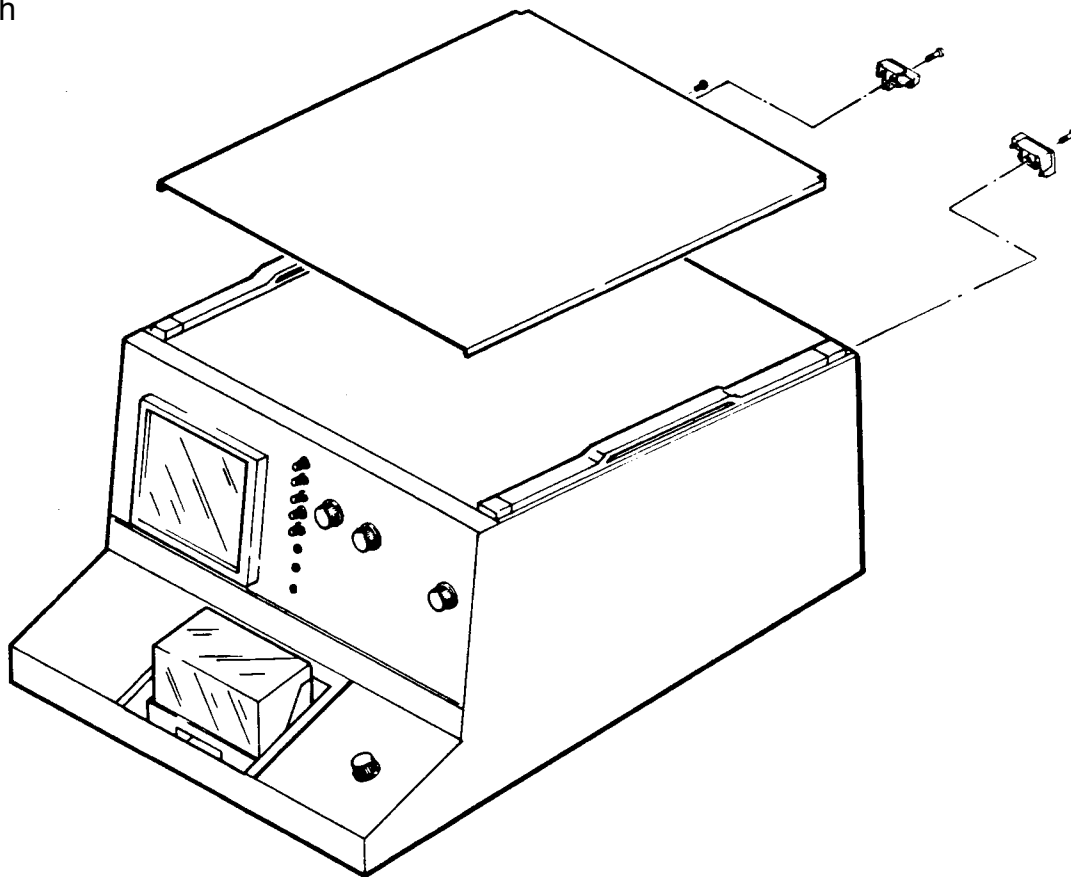


Figure 1. Top cover removal.

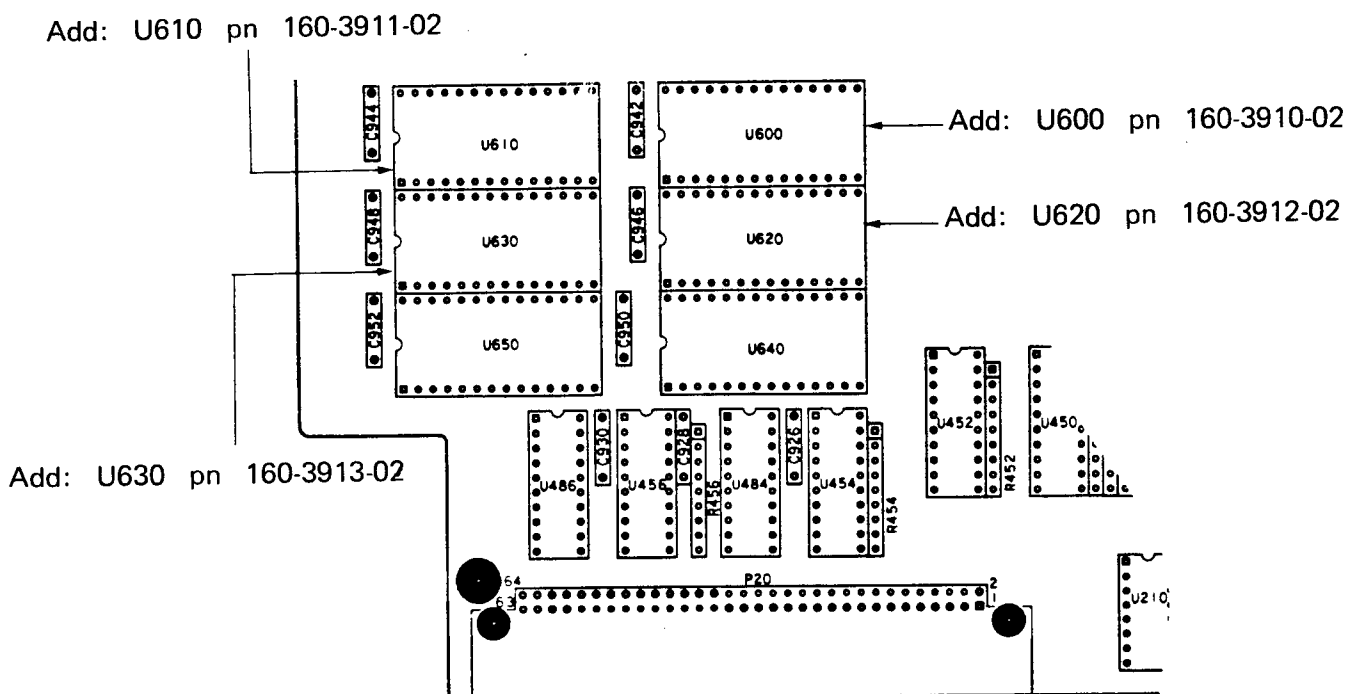


Figure 2. Partial - CPU circuit board A2.