



050-0550-00  
S18007  
18881  
Type 7403N/R

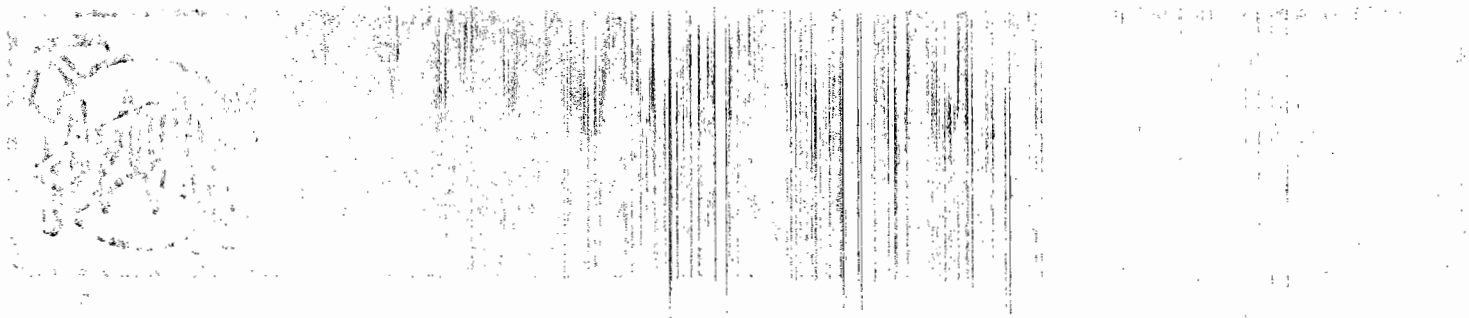
### U741 HV MULTIPLIER REPLACEMENT

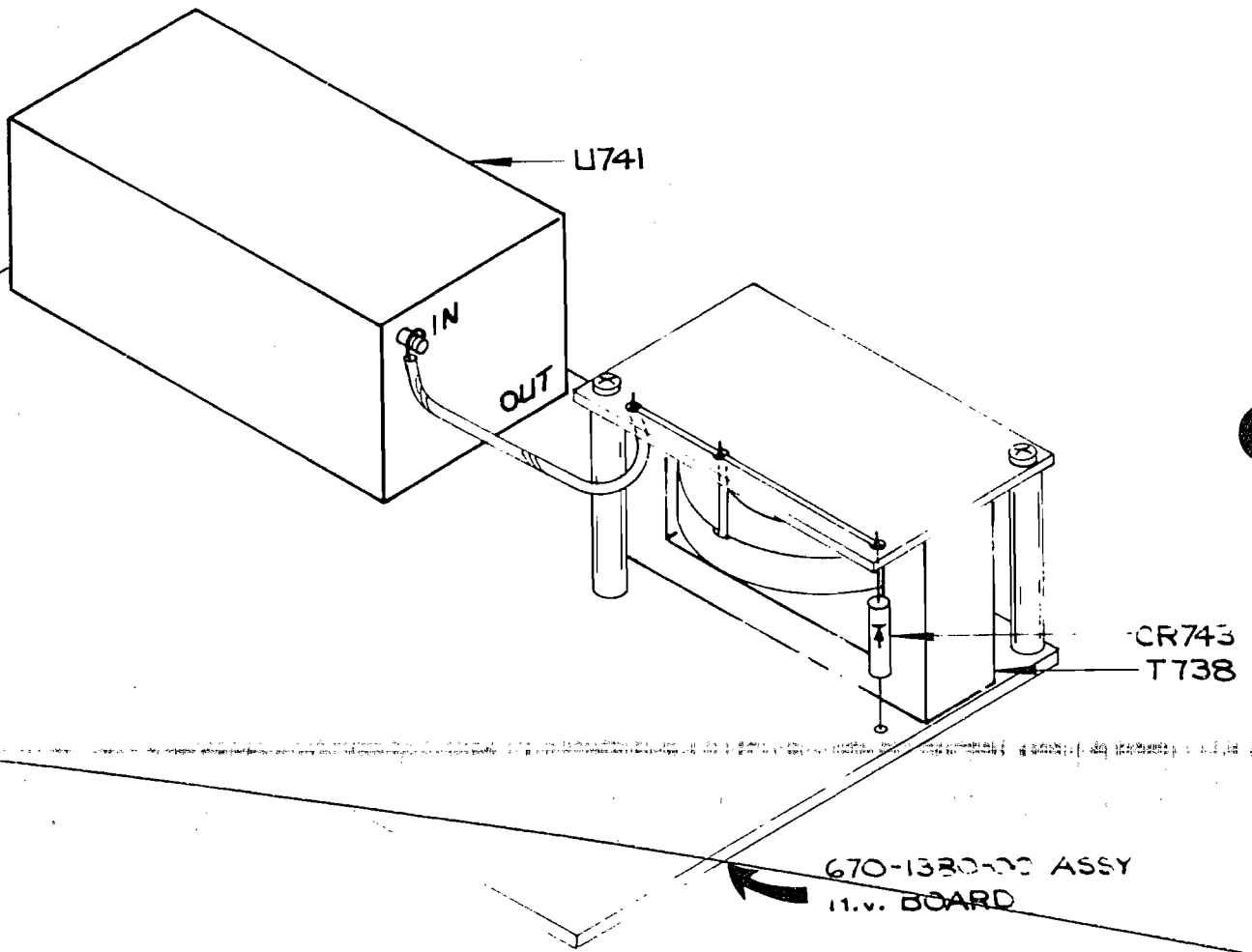
For the following TEKTRONIX® Oscilloscopes:

Type 7403N	Serial Numbers	B010100- up
Type R7403N	Serial Numbers	B010100- up
Type 7603/R	Serial Numbers	B010100- B020579

High voltage multiplier, U741, PN 152-0495-00, replaces high voltage multiplier, PN 119-0286-00.

NOTE: Manufacturing has used the 119-0286-00 and 152-0495-00 High Voltage Multipliers interchangeably as U741. If your instrument has a 152-0495-00 High Voltage Multiplier, or if this kit has been installed, disregard the instructions and use 152-0495-00 as a direct replacement for U741.





## PARTS INCLUDED IN PARTS REPLACEMENT KIT:

Ckt.No.	Quantity	Part Number	Description
U741	1 ea	152-0495-00	Multiplier High Voltage
	1 ea	211-0008-00	Screw, 4-40 x .25
	1 ea	388-2029-00	Circuit board
	1 ea		Wire, AWG20, wht-orn, 2 inches

## INSTRUCTIONS

- ( ) 1. Unsolder the end of CR743 that is soldered to the HV Multiplier circuit board.
- ( ) 2. Remove the top and bottom mounting screws from the DELRIN® post that is near CR743.
- ( ) Remove the top screw that fastens the circuit board to the metal post.
- ( ) 3. Remove the High Voltage Multiplier mounting screws, and disconnect the CRT anode plug and discharge it to the chassis.
- ( ) 4. Install the High Voltage Multiplier, from the kit, using the two 4-40 screws removed in step 3 and the 4-40 screw from the kit.
- ( ) 5. Install the circuit board as shown, and reconnect the CRT anode plug.

DELRIN, Reg. TM of The DuPont Co.

JT:ls