



product modification

050-0674-00

M21020

HANDLE REPLACEMENT

For the following TEKTRONIX® Oscilloscopes

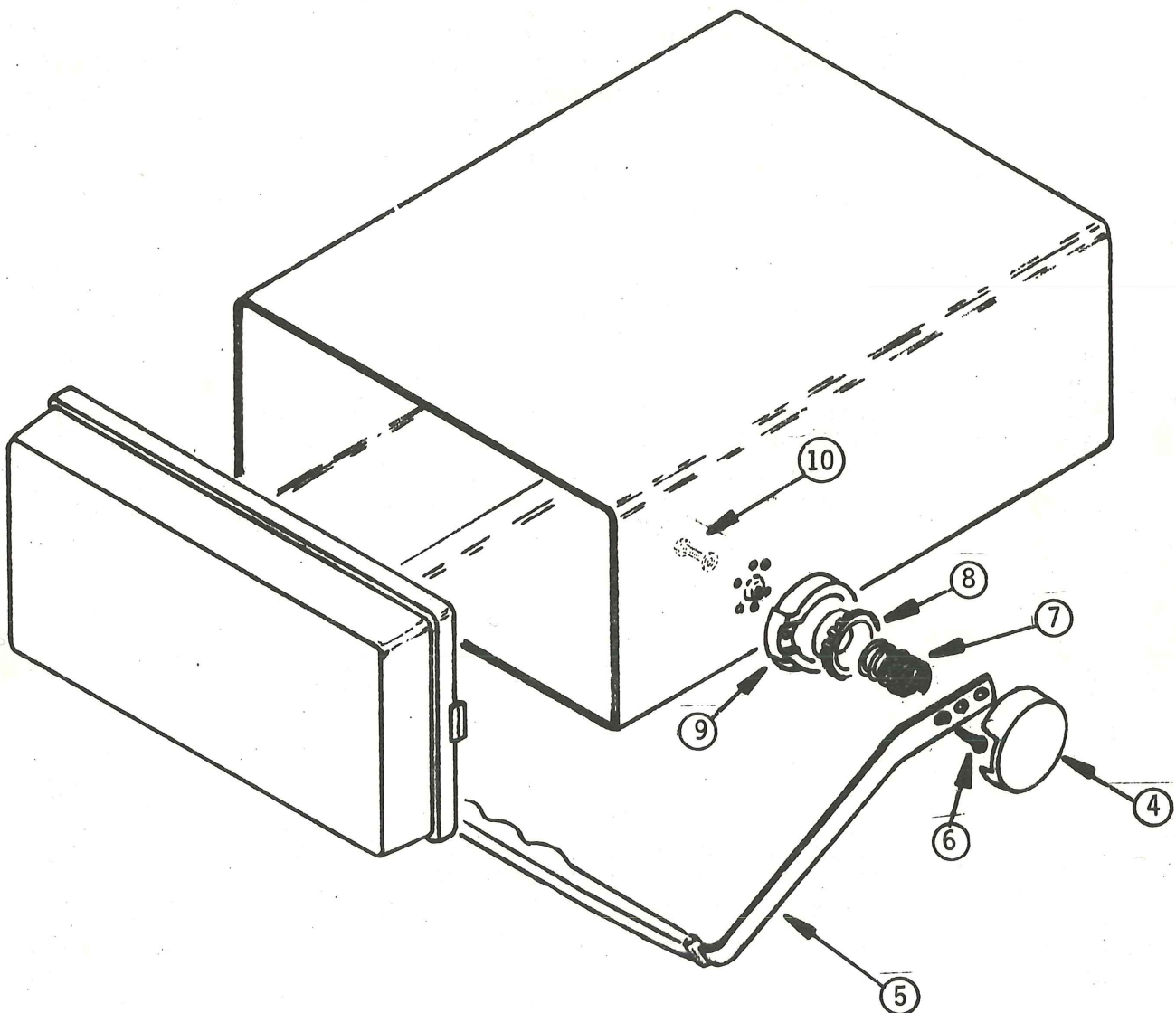
| | | |
|-----|--------------------------------------|------------------------|
| 432 | 25MHz Dual Trace Oscilloscopes | SN - A11 |
| 434 | 25MHz Bistable Storage Oscilloscopes | SN - B010100 - B504594 |
| 465 | 100MHz Dual Trace Oscilloscopes | SN - B010100 - B256499 |
| 475 | 200MHz Dual Trace Oscilloscopes | SN - B010100 - B256499 |

Carrying handle PN 367-0195-00 replaces carrying handle PN 367-0140-03 which is no longer available. Use of the new handle necessitates replacing the handle indexes and the handle mounting screws.

NOTE: If the serial number of your instrument is above those listed, or if 050-0663-01 or this kit has been installed, disregard the instructions and use 367-0195-00 as a direct replacement.

PARTS INCLUDED IN PARTS REPLACEMENT KIT:

| Quantity | Part Number | Description |
|----------|-------------|--|
| 1 ea | 006-2366-00 | Adhesive, Loctite® 04E 2-gram tube |
| 4 ea | 213-0227-00 | Screw, Thrd frm 6-32 x 0.5 FLH |
| 2 ea | 214-0515-02 | Index, handle hub |
| 2 ea | 214-1987-00 | Index, handle ring |
| 1 ea | 367-0195-00 | Handle, carrying |
| 1 ea | 334-1679-00 | Plate, identification for 432 Oscilloscope |
| 1 ea | 334-1701-00 | Plate, identification for 434 Oscilloscope |
| 1 ea | 334-1998-00 | Plate, identification for 465 Oscilloscope |
| 1 ea | 334-1999-00 | Plate, identification for 475 Oscilloscope |
| 1 ea | ----- | Marker, identification |



®Registered Trademark of Loctite Corporation

INSTRUCTIONS:

- () 1. Remove the handle covers ④ by carefully prying them up with a screwdriver.
- () 2. Remove the two screws ⑥ from each side of the handle assembly and remove the springs ⑦.
- () 3. Remove (and discard) the old hub indexes ⑧ and handle ring indexes ⑨, by removing the screws ⑩.
- () 4. Install the new handle hub indexes and handle ring indexes, using the screws removed in step 3.
- () 5. Insert the handle hub springs ⑦ into the hubs and install the new handle, using the four new screws ⑥ from the kit.
- () 6. Snap the covers in place.
- () 7. Cement the appropriate identification plate from the kit into the recess in the handle.
- () 8. To correct the Mechanical Parts List in your Instruction Manual, refer to the parts list on page 2 of this document.
- () Fasten the modification kit identification marker on the rear panel of the instrument.



Product Modification Kit SUGGESTION/CORRECTION FORM

DATE _____

KIT NUMBER _____ STEP/PAGE _____

FIGURE NUMBER _____ PUBLICATION DATE _____

DISCREPANCY _____

SUGGESTED CORRECTION / COMMENTS _____

SUGGESTED BY: NAME / ORGANIZATION _____

REPLY REQUESTED

RETURN TO LOCAL FIELD OFFICE / SERVICE CENTER

FIELD OFFICE / SERVICE CENTER / DEL. STA. _____

SERVICE CENTER: RETURN TO PARTS RESEARCH 73-848

REPLY

WILL MAKE CHANGE IMMEDIATELY

WILL MAKE CHANGE AT NEXT PRINTING

OTHER _____

SIGNED _____ DATE _____

