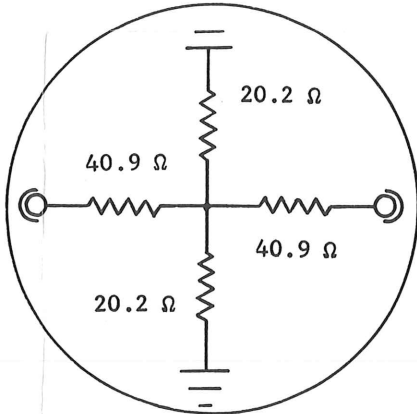
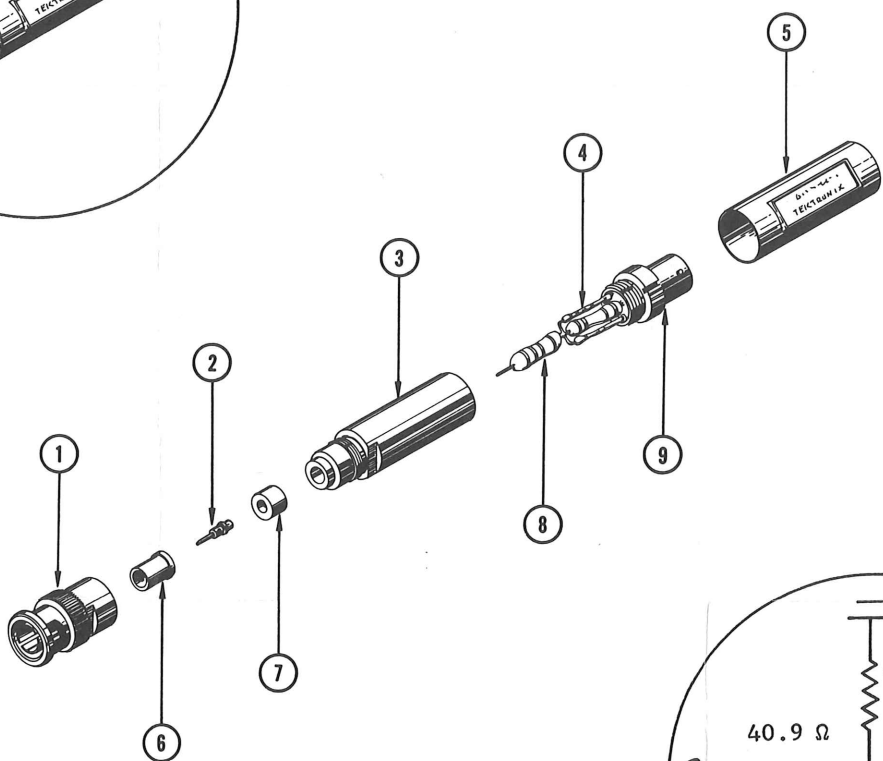
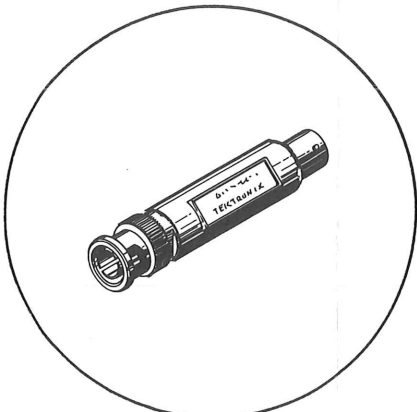


50 OHM 10X ATTENUATOR (BNC) (Part No. 011-0059-00)



REF. NO.	PART NO.	SERIAL/MODEL NO.		QTY.	DESCRIPTION
		EFF.	DISC.		
1	134-0044-00			1	PLUG, probe
2	214-0109-01			1	PIN, probe contact, male
3	204-0210-00			1	BODY, attenuator
4	319-0048-00			2	RESISTOR, 20.2 Ω , 1/4 w, prec., 1%
5	200-0529-00			1	COVER, identification
6	358-0072-00			1	BUSHING, insulator
7	358-0079-00			1	BUSHING, insulator, .140 long
8	323-0646-00			2	RESISTOR, 40.9 Ω , 1/2 w, prec., 1%
9	131-0318-00			1	CONNECTOR, BNC, w/7/16-28 threads

DATA SHEET

NO. 061-0979-00

DATE OCT. 1967(R)

COPYRIGHT © 1963
 TEKTRONIX INC.
 ALL RIGHTS RESERVED

