

# TEKTRONIX®

This insert is provided as a supplement to the instruction manual furnished with this modified instrument. The information given in this insert supersedes that given in the manual.

This insert material Copyright © 1977 by Tektronix, Inc., Beaverton, Oregon. Printed in the United States of America. All rights reserved. Contents of this insert may not be reproduced in any form without permission of the copyright owner.

TEST SET

035-5029-00

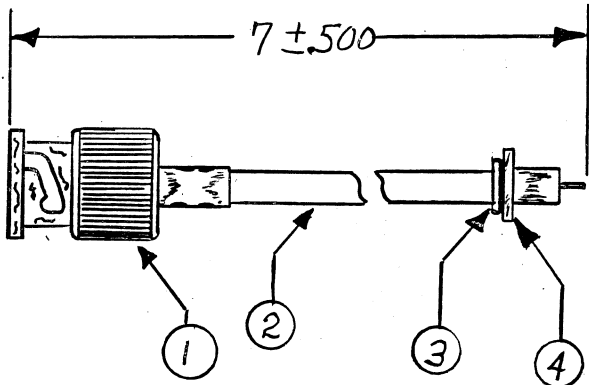
**MODIFICATION INSERT**

TEST SET  
035-5029-00

This test set contains the interconnect cables necessary to calibrate the Type 067-0680-00 Signal Standardizer for Tektronix 5400-Series instruments. Instructions for their use are contained in the 067-0680-00 Calibration Procedure.

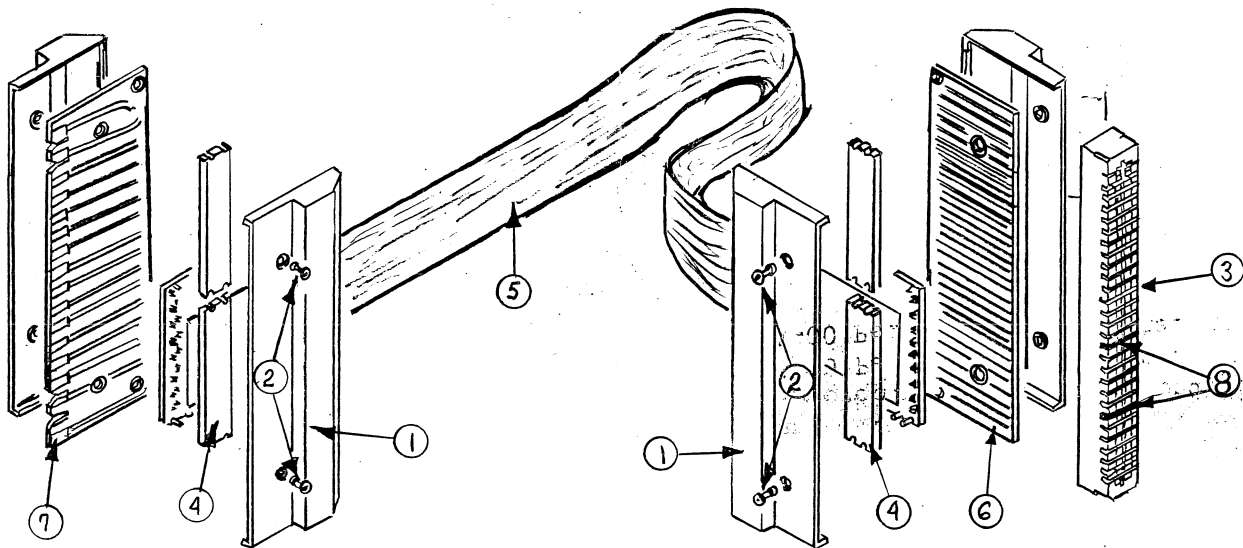
The following cables are included in this test set:

- |       |             |                                |
|-------|-------------|--------------------------------|
| 2 ea. | 034-3113-00 | Coaxial Cable Assembly; Fig. 1 |
| 1 ea. | 035-0105-00 | Flexible Extender; Fig. 2      |



1. 131-0297-01, or equivalent, BNC, male connector
2. 175-1255-00 coax, 50  $\Omega$ , solid cond.
3. 210-0775-00 Peltola eyelet, inner
4. 210-0774-00 Peltola eyelet, outer

Fig. 1



035-0105-00

Fig. 2

1. 337-1524-00 shield, EC board
2. 210-0783-00 rivet, "pop", 0.185 OD
3. 131-1078-00 connector, receptacle
4. 131-0817-00 connector, receptacle
5. 175-1084-00 cable, 16 cond., 22 inches long
6. 388-2422-00 EC board
7. 388-2421-00 EC board
8. contacts removed