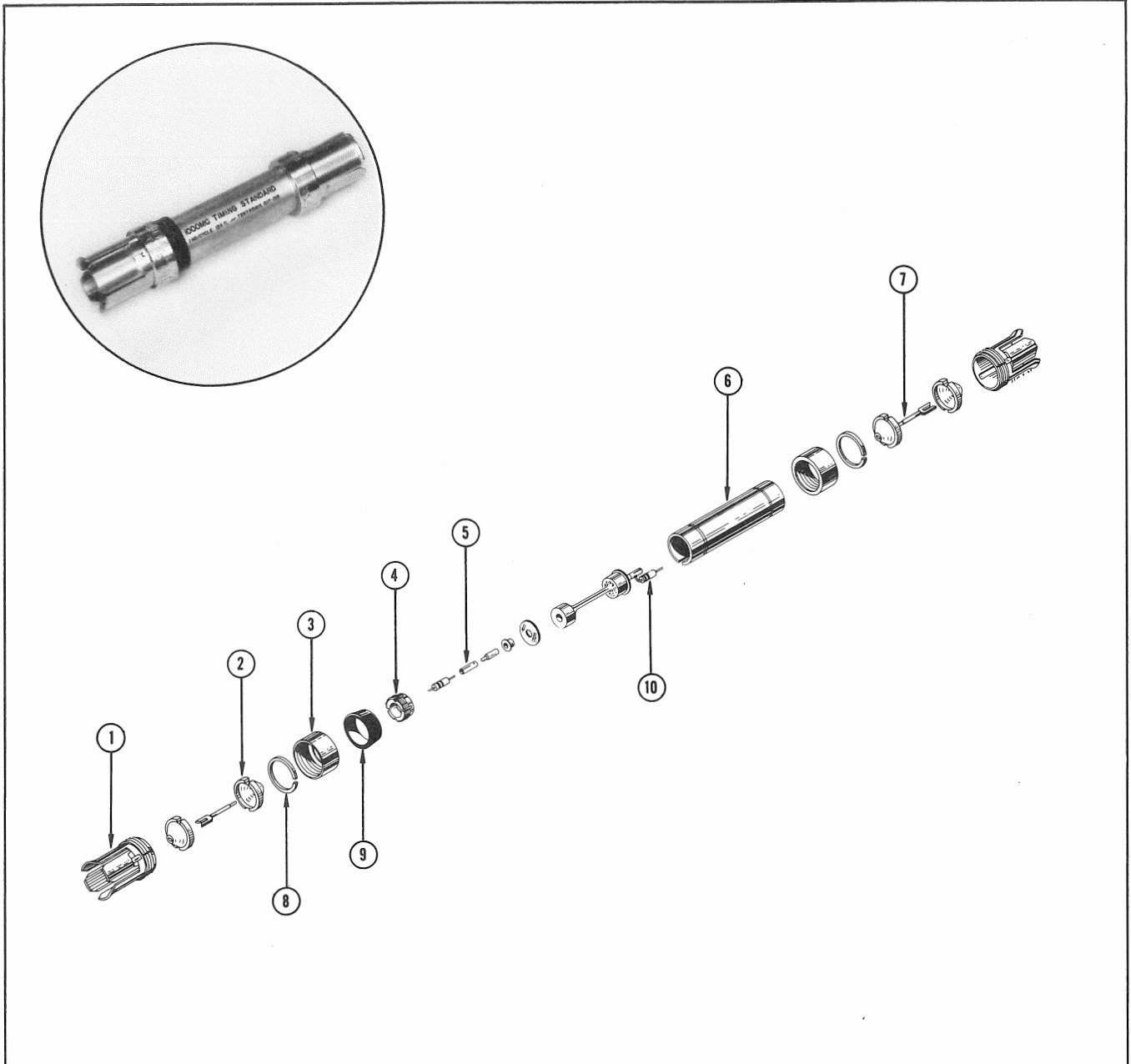


1000 MC TIMING STANDARD (Part No. 017-0019-00)



REF. NO.	PART NO.	SERIAL/MODEL NO.		QTY.	DESCRIPTION
		EFF.	DISC.		
1	132-0102-00			2	CONNECTOR, outer
2	132-0011-00			4	INSULATOR
3	132-0001-00			2	NUT, coupling
4	210-0547-00			1	NUT, tuning
5	132-0014-00			2	SLEEVE, transition
6	205-0037-00			1	SHELL
7	132-0015-00			2	CONTACT ASSEMBLY
8	132-0007-00			2	SNAP RING
9	354-0151-00			1	RING
10	316-0102-00			2	RESISTOR, 1K, 1/4 w, 10%

PUBLICATION NO.

062-0158-00
August 1965
(Revised)

**FOR REPLACEMENT PARTS
NOT LISTED CONTACT YOUR
TEKTRONIX FIELD OFFICE.**

©, 1964, Tektronix, Inc.,
All rights reserved.