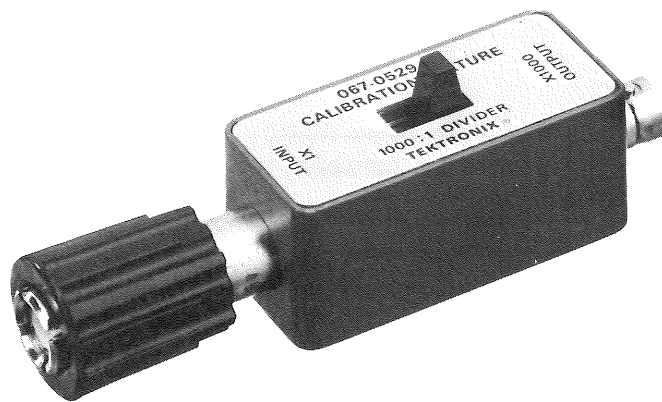


067-0529-00 CALIBRATION FIXTURE

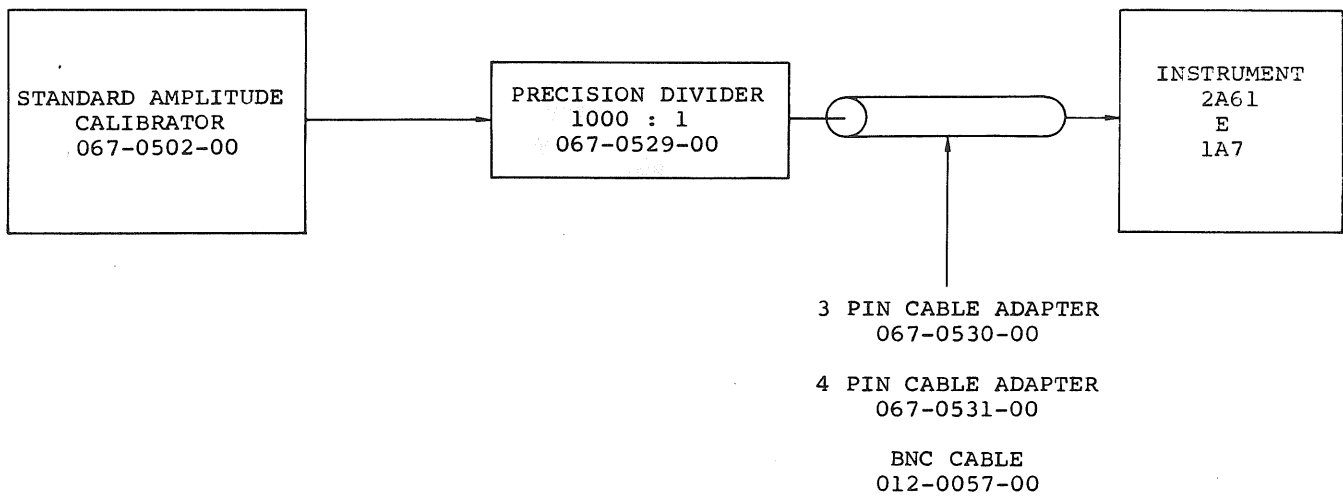
Precision Divider



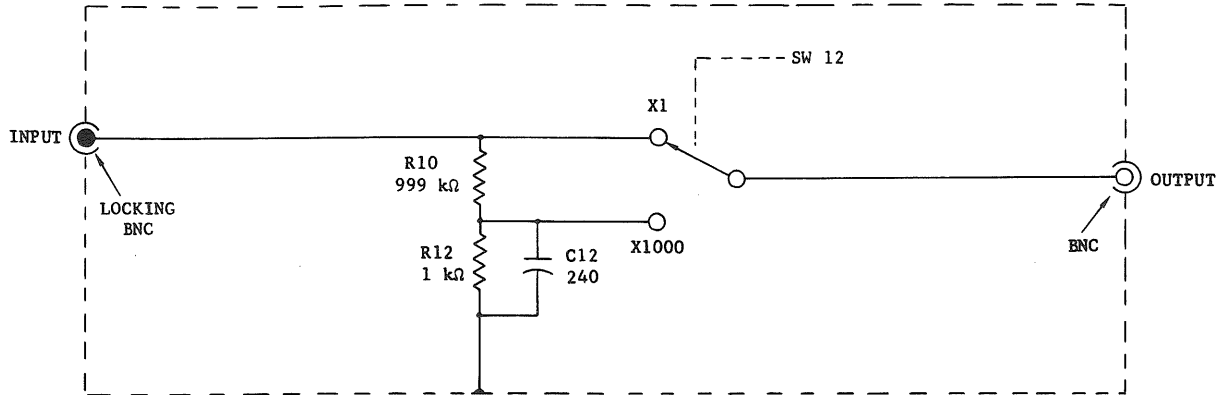
The 067-0529-00 is a 1000:1 Divider for use with Standard Amplitude Calibrator (067-0502-00) to extend range of output voltage to amounts less than 200 microvolts. Accuracy of divider $\pm 0.2\%$.



BLOCK DIAGRAM



ELECTRICAL PARTS LIST



Values are fixed unless marked Variable.

Ckt. No.	Tektronix Part No.	Serial/Model No. Eff	Disc	Description
Capacitor				
C12	281-0638-00		240 pF	Cer 500 V 5%
Resistors				
R10	E312-0645-00		999 kΩ	Assembly matched with 0.1% to each other.
R12			1 kΩ	
Switch				
SW12	*260-0449-00		Slide	SPDT

MECHANICAL PARTS LIST

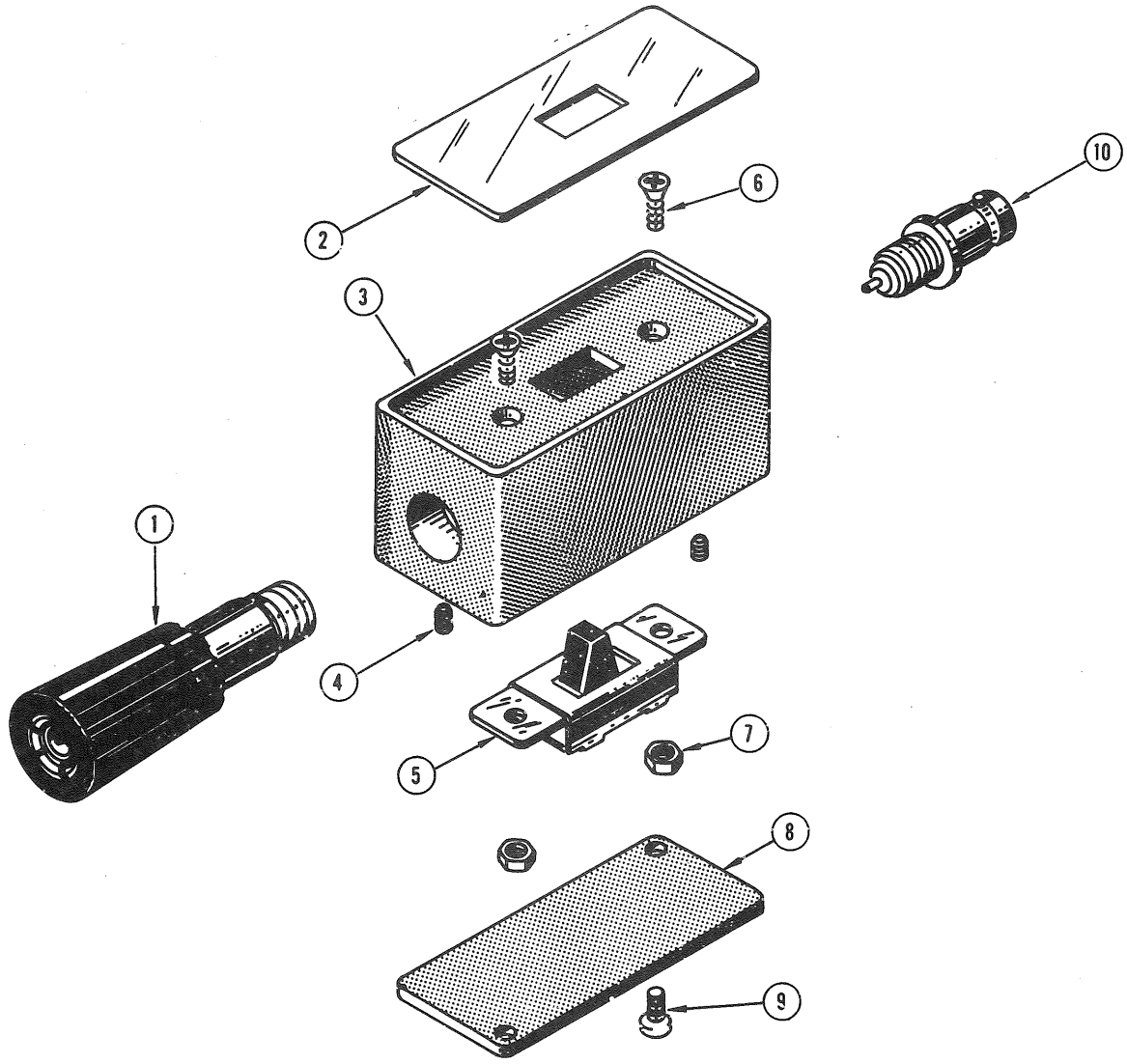


Fig. & Index No.	Tektronix Part No.	Serial/Model No. Eff	Disc	Q					Description
				Y	1	2	3	4	
1	131-0319-00								1 CONNECTOR, male, BNC locking
2	E334-1066-00								1 TAG, identification
3	202-0054-00								1 BOX
4	123-0048-00								2 SCREW, set, 4-40 x 1/8 inch, HSS
5	- - - - -								1 SWITCH
	- - - - -								- mounting hardware: (not included w/switch)
6	211-0023-00								2 SCREW, 4-40 x 1/4 inch, FHS
7	210-0406-00								2 NUT, hex., 4-40 x 3/16 inch
8	200-0252-00								1 COVER, bottom
	- - - - -								- mounting hardware: (not included w/bottom)
9	213-0141-00								2 SCREW, thread forming, 4-40 x 1/4 inch, (3
10	131-0106-00								1 CONNECTOR, coaxial, 1 contact, female