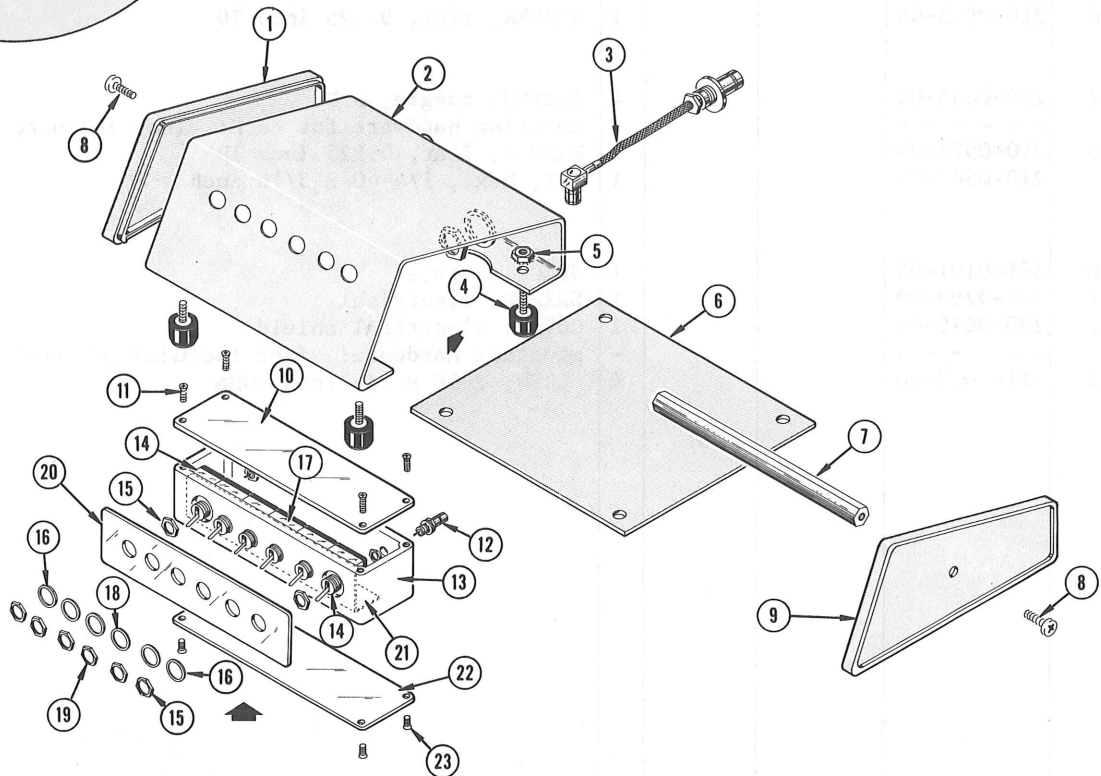


600 OHM STEP ATTENUATOR (Part No. 011-0093-00)



REF. NO.	PART NO.	SERIAL/MODEL NO.		QTY.	DESCRIPTION
		EFF.	DISC.		
1	386-1442-00			1	SIDE PANEL, housing, left
2	380-0141-00			1	HOUSING, wrap-around
3	175-0321-00			2	CABLE ASSEMBLY, w/hardware
4	348-0048-00			4	FOOT, plastic, 3/8 inch diameter
-	-			-	mounting hardware for each:
-	-			-	(not included w/foot)
5	210-0457-00			1	NUT, keps, 6-32 x 5/16 inch
6	386-1439-00			1	PLATE, bottom
7	129-0177-00			1	POST, metal, 4.19 inches long
-	-			-	mounting hardware:
-	-			-	(not included w/post)
8	211-0537-00			2	SCREW, 6-32 x 3/8 inch, THS

DATA SHEET

NO. 062-0952-00

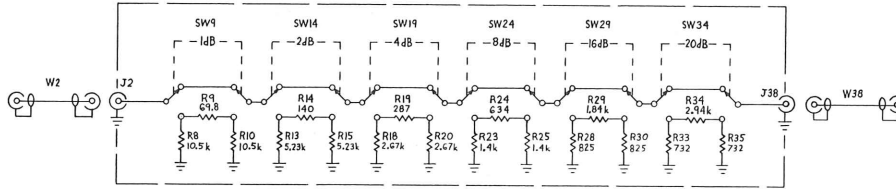
DATE MAY 1968

COPYRIGHT © 1968
 TEKTRONIX INC.
 ALL RIGHTS RESERVED

600 OHM STEP ATTENUATOR (Part No. 011-0093-00)

REF. NO.	PART NO.	SERIAL/MODEL NO.		QTY.	DESCRIPTION
		EFF.	DISC.		
9	386-1443-00			1	SIDE PANEL, housing, right
10	200-0679-00			1	COVER, electrical shield
	- - - - -			-	mounting hardware: (not included w/cover)
11	211-0070-00			4	SCREW, 2-56 x 1/4 inch, OHS
12	131-0372-00			2	CONNECTOR, coaxial, w/hardware
13	380-0102-00			1	HOUSING, attenuator
14	260-0642-00			2	SWITCH, toggle, DPDT
	- - - - -			-	mounting hardware for each: (not included w/switch)
15	210-0562-00			2	NUT, hex., 1/4-40 x 5/16 inch
16	210-0973-00			1	WASHER, flat, 0.225 inch ID
17	260-0642-00			4	SWITCH, toggle, DPDT
	- - - - -			-	mounting hardware for each: (not included w/switch)
18	210-0973-00			1	WASHER, flat, 0.225 inch ID
19	210-0562-00			1	NUT, hex., 1/4-40 x 5/16 inch
20	361-0191-00			1	SPACER, plate
21	337-0799-00			1	SHIELD, electrical
22	200-0679-00			1	COVER, electrical shield
	- - - - -			-	mounting hardware: (not included w/cover)
23	211-0070-00			4	SCREW, 2-56 x 1/4 inch, OHS

600 OHM STEP ATTENUATOR (Part No. 011-0093-00)



Ckt. No.	Tektronix Part No.	Serial/Model No. Eff Disc	Description
----------	-----------------------	------------------------------	-------------

CONNECTORS

J2	131-0372-00	Coaxial
J38	131-0372-00	Coaxial

RESISTORS

Resistors are fixed, composition, $\pm 10\%$ unless otherwise indicated.

R8	321-0291-00	10.5 k Ω	1/8 W	Prec	1%
R9	321-0082-00	69.8 Ω	1/8 W	Prec	1%
R10	321-0291-00	10.5 k Ω	1/8 W	Prec	1%
R13	321-0262-01	5.23k 5.11 k Ω	1/8 W	Prec	1/2%
R14	321-0111-00	140 Ω	1/8 W	Prec	1%
R15	321-0262-01	5.23k 5.11 k Ω	1/8 W	Prec	1/2%
R18	321-0234-00	2.67 k Ω	1/8 W	Prec	1%
R19	321-0141-00	287 Ω	1/8 W	Prec	1%
R20	321-0234-00	2.67 k Ω	1/8 W	Prec	1%
R23	321-0207-00	1.40 k Ω	1/8 W	Prec	1%
R24	321-0174-00	634 Ω	1/8 W	Prec	1%
R25	321-0207-00	1.40 k Ω	1/8 W	Prec	1%
R28	321-0185-00	824 Ω	1/8 W	Prec	1%
R29	321-1218-00	1.84 k Ω	1/8 W	Prec	1%
R30	321-0185-00	825 Ω	1/8 W	Prec	1%
R33	321-0180-00	732 Ω	1/8 W	Prec	1%
R34	321-0238-00	2.94 k Ω	1/8 W	Prec	1%
R35	321-0180-00	732 Ω	1/8 W	Prec	1%

SWITCHES

SW9	260-0642-00	Toggle	1dB-OUT
SW14	260-0642-00	Toggle	2dB-OUT
SW19	260-0642-00	Toggle	4dB-OUT
SW24	260-0642-00	Toggle	8dB-OUT
SW29	260-0642-00	Toggle	16dB-OUT
SW34	260-0642-00	Toggle	20dB-OUT

