

TRANSDUCER PACKAGE (Horizontal Vibration) (Part No. 015-0167-00)

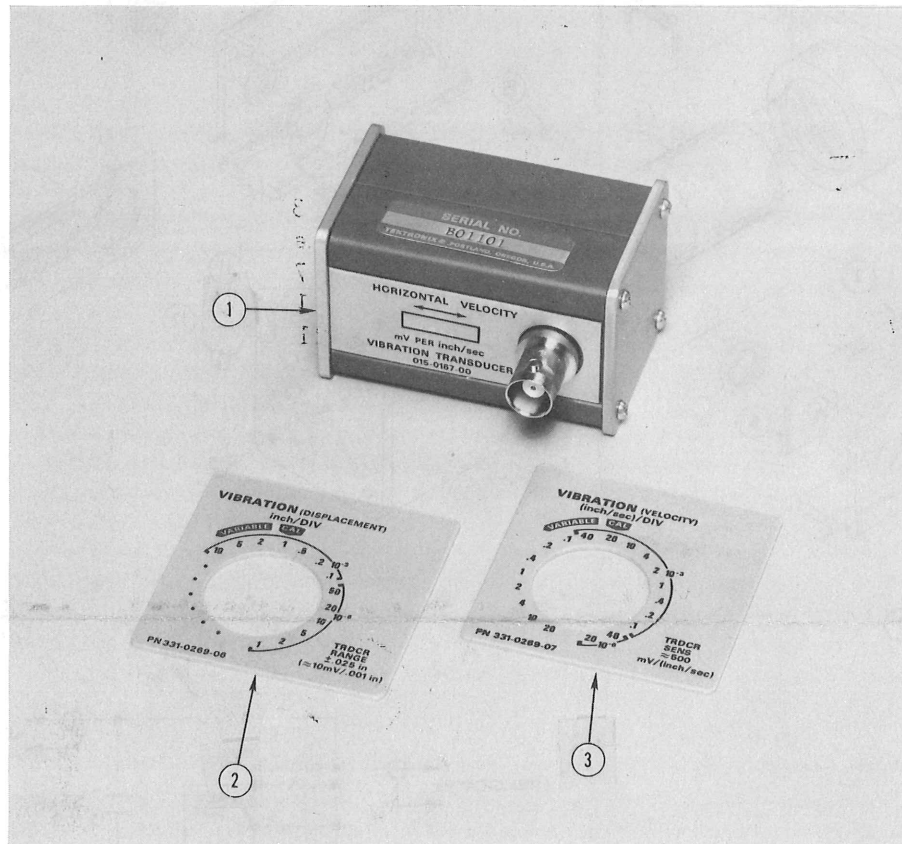


Fig. & Index No.	Tektronix Part No.	Serial/Model No. Eff Disc	Q † y	Description					
				1	2	3	4	5	
	015-0167-00		1	1					TRANSDUCER PACKAGE, horizontal vibration
	- - - - -		-						transducer package includes:
1	- - - - -		1						TRANSDUCER
2	331-0269-06		1						SCALE, attenuator switch--VIBRATION (displacement)
3	331-0269-07		1						SCALE, attenuator switch--VIBRATION (velocity)

DATA SHEET	
NO.	062-1283-00
DATE	SEPT 1970
COPYRIGHT © 1970 TEKTRONIX INC. ALL RIGHTS RESERVED	

015-0167-00

TRANSDUCER PACKAGE (cont)

(Part No. 015-0167-00)

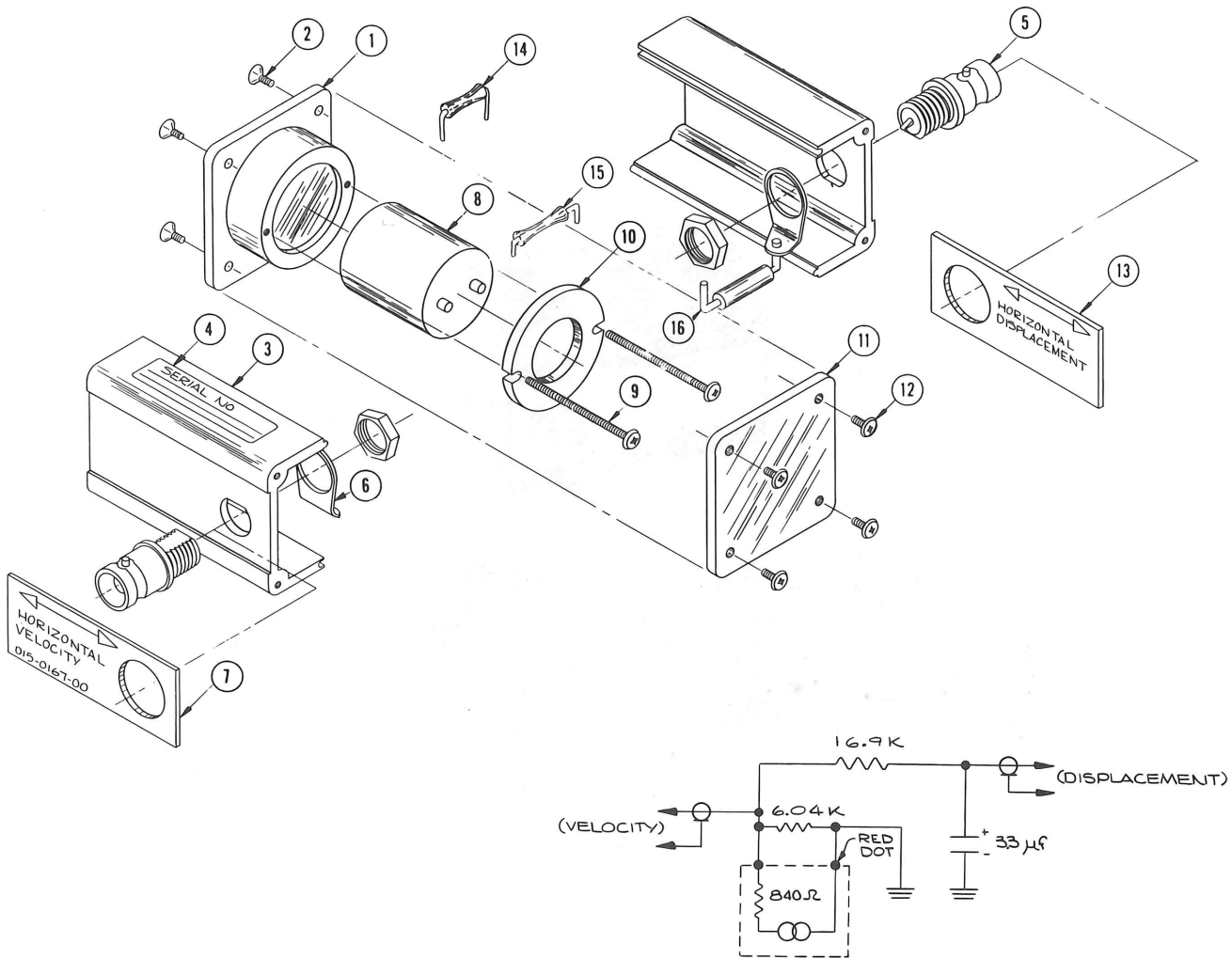


Fig. & Index No.	Tektronix Part No.	Serial/Model No. Eff Disc	Qty	Description				
				1	2	3	4	5
	015-0167-00		1	TRANSDUCER PACKAGE, horizontal vibration				
	- - - - -		-	transducer package includes:				
1	200-1126-00		1	COVER, transducer, mounting end				
	- - - - -		-	mounting hardware: (not included w/cover)				
2	211-0030-00		4	SCREW, 2-56 x 0.25 inch, 82° csk, FHS				
3	380-0210-02		2	HOUSING HALF, transducer				
4	334-1378-00		1	LABEL, serial number				
5	131-0955-00		2	CONNECTOR				
	- - - - -		-	mounting hardware for each: (not included w/connector)				
6	210-0255-00		1	LUG, solder, 0.375 inch diameter				

TRANSDUCER PACKAGE (cont)

(Part No. 015-0167-00)

Fig. & Index No.	Tektronix Part No.	Serial/Model No.		Q † y	Description
		Eff	Disc		
7	334-1582-00			1	PLATE, identification, horizontal velocity
8	119-0248-00			1	TRANSDUCER, velocity, horizontal
	- - - - -			-	mounting hardware: (not included w/transducer)
9	211-0184-00			2	SCREW, 2-56 x 1.25 inches, PHS
10	354-0389-00			1	RING, mounting
11	200-1125-00			1	COVER, transducer, BNC end
	- - - - -			-	mounting hardware: (not included w/cover)
12	211-0001-00			4	SCREW, 2-56 x 0.25 inch, RHS
13	334-1581-00			1	PLATE, identification, horizontal displacement
14	321-0268-00			1	RESISTOR, 6.04 kΩ, 1/8 W, Prec, 1%
15	321-0311-00			1	RESISTOR, 16.9 kΩ, 1/8 W, Prec, 1%
16	290-0246-00			1	CAPACITOR, 3.3 uF, Elect., 15 V, 10%

