

016-0305-00 LIGHT OCCLUDER

The Light Occluder is an accessory item designed for use on the J16 Digital Photometer family of probes. It is basically a light shield, intended to be used with the J6502 and J6503 probes. This reduces measurement errors attributed to spurious ambient light when adjusting the light levels of a color-bar display on a television monitor.

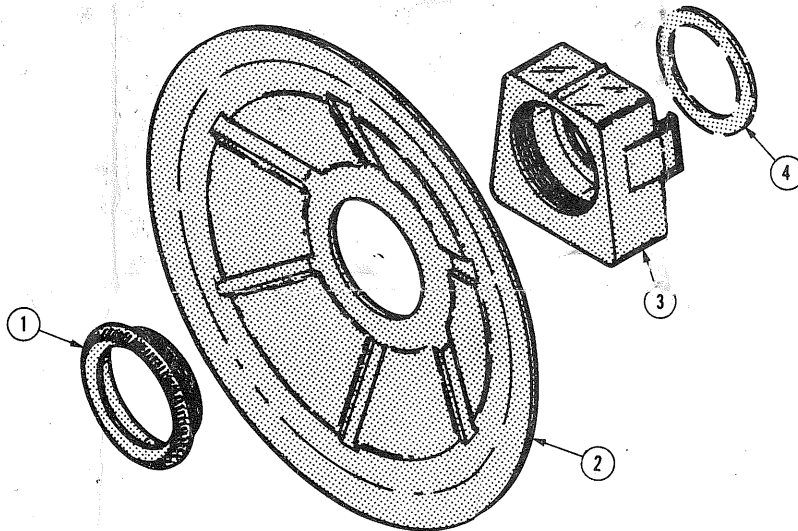


Fig. & Index No.	Tektronix Part No.	Serial/Model No. Eff Disc	Q					Description		
			†	y	1	2	3		4	5
-1	343-0422-00		1						1	RETAINER, filter
-2	337-1936-00		1						1	SHIELD, light occluder
-3	380-0319-03		1						1	HOUSING, filter
-4	214-1861-00		1						1	GASKET, filter