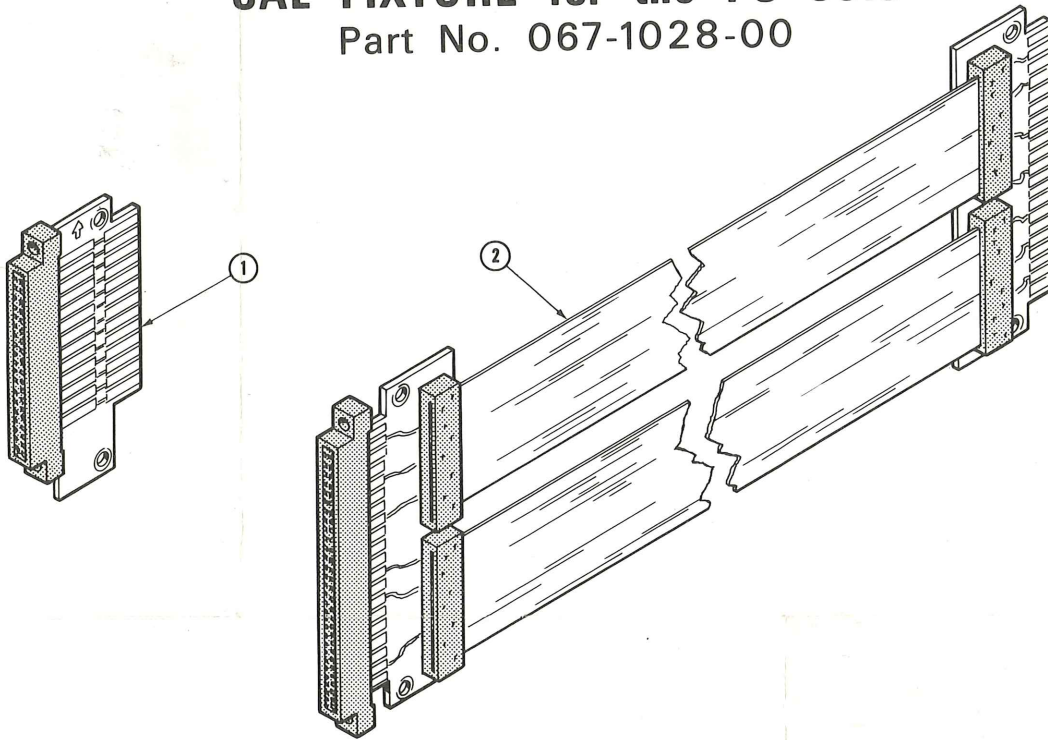


CAL FIXTURE for the PS 5010
Part No. 067-1028-00



REPLACEABLE PARTS LIST

Fig. & Index No.	Tektronix Part No.	Serial/Model No. Eff	Dscont	Qty	1	2	3	4	5	Name & Description	Mfr Code	Mfr Part Number
	067-1028-00			1						FIXTURE, CAL: SERVICE	80009	067-1028-00
-1	670-7380-00			1						CKT BOARD ASSY: ANALOG, EXTENDER	80009	670-7380-00
-2	670-7387-00			1						CKT BOARD ASSY: PROCESSOR EXTENDER	80009	670-7387-00
STANDARD ACCESSORIES												
	062-5841-00			1						DATA SHEET: 067-1028-00	80009	062-5841-00

CROSS INDEX—MFR. CODE NUMBER TO MANUFACTURER

Mfr. Code	Manufacturer	Address	City, State, Zip
80009	TEKTRONIX, INC.	P O BOX 500	BEAVERTON, OR 97077

NO. 062-5841-00
DATE JUN 1981
COPYRIGHT © 1981
TEKTRONIX, INC.
ALL RIGHTS RESERVED

