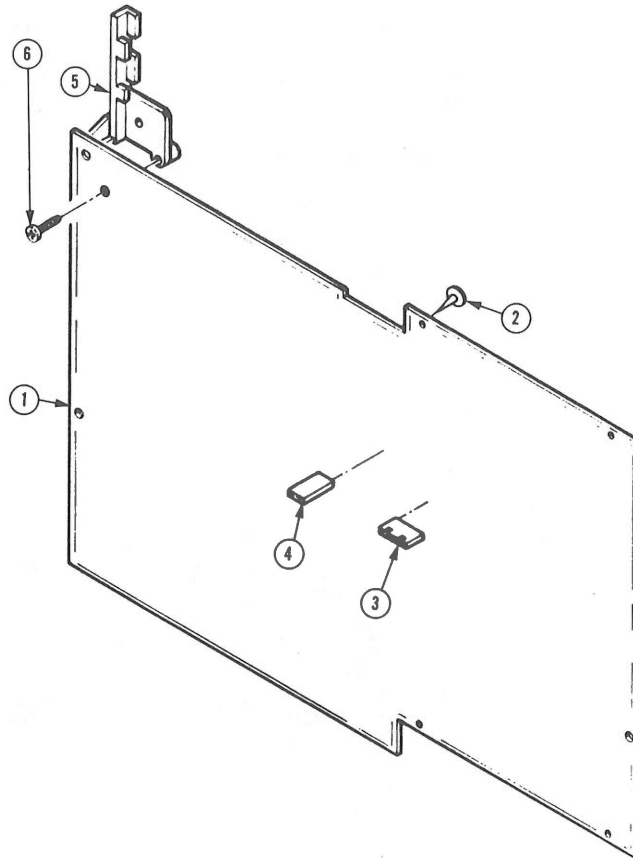


**CALIBRATION FIXTURE:
TROUBLESHOOTING AID EXTENDER CARD WITH CABLES**
Part No. 067-1267-00



BRIEF FUNCTIONAL DESCRIPTION

The kit includes an extender card and cables to be used with the extender card and an RS-232 loopback device. The intended users of the kit are anyone attempting to troubleshoot 11401 or 11402 oscilloscopes. The intensions of the diagnostic service kit are several fold.

The extender card itself serves two purposes. First, the extender card acts as an extender card—it allows card cage cards to be raised out of the card cage to be probed. Secondly, the extender card acts as a kernal stimulus. If the μ P kernel of the EXP subsystem is faulty when used in the kernel stimulus mode, the extender card allows for troubleshooting the EXP kernel circuitry.

The RS-232 loopback device can be used to troubleshoot the circuitry from the EXP μ P out to the standard RS-232 port. (To expand on this, realize that the primary means of diagnostic troubleshooting is through the 11401 or 11402 front panel. If the circuitry that controls the front panel is faulty, a terminal can be used to control diagnostics through the RS-232. If the RS-232 circuitry is also faulty, a hardware strap can be set to cause the diagnostics to continually exercise the circuitry from the μ P out to the loopback device. This allows for troubleshooting.)

NO. 062-8893-00

DATE JUNE 1986

COPYRIGHT[®] 1986
TEKTRONIX INC.
ALL RIGHTS RESERVED

CROSS INDEX - MFR. CODE NUMBER TO MANUFACTURER

Mfr. Code	Manufacturer	Address	City, State, Zip Code
01295	TEXAS INSTRUMENTS INC SEMICONDUCTOR GROUP	13500 N CENTRAL EXPRESSWAY P O BOX 225012 M/S 49	DALLAS TX 75265
04222	AVX CERAMICS DIV OF AVX CORP	19TH AVE SOUTH P O BOX 867	MYRTLE BEACH SC 29577
04713	MOTOROLA INC SEMICONDUCTOR GROUP	5005 E MCDOMELL RD	PHOENIX AZ 85008
22526	DU PONT E I DE NEMOURS AND CO INC DU PONT CONNECTOR SYSTEMS	30 HUNTER LANE	CAMP HILL PA 17011
57668	ROHM CORP	16931 MILLIKEN AVE	IRVINE CA 92713
72228	AMCA INTERNATIONAL CORP CONTINENTAL SCREM CO DIV	459 MT PLEASANT	NEM BEDFORD MA 02742
80009	TEKTRONIX INC	4900 S W GRIFFITH DR P O BOX 500	BEAVERTON OR 97077
91662	ELCO CORP A GULF AND WESTERN MFG CO CONNECTOR DIV	HUNTINGDON INDUSTRIAL PARK	HUNTINGDON PA 16652
TK1424	MARCON AMERICA CORP	700 LANDMEHR RD	NORTHBROOK IL 60062
TK1483	TEKA PRODUCTS INC	45 SALEM ST	PROVIDENCE RI 02907

Fig. & Index No.	Tektronix Part No.	Serial/Assembly No. Effective Dscont	Qty	12345	Name & Description	Mfr. Code	Mfr. Part No.
1-1	-----		1		CIRCUIT BD ASSY:TROUBLE SHOOTING AID EXTENDER M/CABLES (NOT AVAILABLE.ORDER 067-1267-00)		
-2	214-3859-00		4		.CLIP,RETAINING:MOUNTING BUTTON,0.33 L, .NYLON	80009	214-3859-00
-3	131-3562-00		1		.CONNECTOR,TERM:4 PIN SQ PIN JUMPER	22526	76264-102
-4	131-0993-00		2		.BUS,CONDUCTOR:SHUNT ASSEMBLY,BLACI	22526	65474-005
-5	386-5418-00		1		SPRT,EXTENDER:2.075 X 0.900,POLYCARBONATE 10%,GLASS (ATTACHING PARTS)	80009	386-5418-00
-6	213-0717-00		1		SCREM,TPG,TF:4-20 X 0.312,PNH,STL (END ATTACHING PARTS)	72228	0004604M24
					STANDARD ACCESSORIES		
	012-1144-00		6		LEAD SET,ELEC:DIAGNOSTIC	80009	012-1144-00
	013-0198-00		1		ADAPTER ASSY:SELF TEST	80009	013-0198-00
	062-8893-00		1		DATA SHEET:067-1267-00 SERVICE KIT	80009	062-8893-00
	174-0207-00		1		CA ASSY,SP,ELEC:34,26 AMG,10.75 L,RIBBON	80009	174-0207-00
	174-0208-00		1		CA ASSY,SP,ELEC:40,26 AMG,10.5 L,RIBBON	80009	174-0208-00
	174-0262-00		1		CA ASSY,SP,ELEC:8,26 AMG,15.5 L,RIBBON	80009	174-0262-00
	175-9917-00		1		CA ASSY,SP,ELEC:40,26 AMG,15.0 L	80009	175-9917-00
	175-9918-00		1		CA ASSY,SP,ELEC:50,26 AMG,8.6 L	80009	175-9918-00
	175-9919-00		1		CA ASSY,SP,ELEC:34,26 AMG,8.6 L (FOR THE USE OF THIS KIT,REFER TO THE SERVICE MANUAL VOL II,TROUBLE SHOOTING AND DIAGNOSTIC SECTION.)	80009	175-9919-00

Component No.	Tektronix Part No.	Serial/Assembly No. Effective Dscont	Name & Description	Mfr. Code	Mfr. Part No.
			CIRCUIT BD ASSY:TROUBLE SHOOTING AID EXTENDER W/CABLES (NOT AVAILABLE.ORDER 067-1267-00)		
C100	290-1123-00		CAP,FXD,ELCTL:68MF,20%,10V	TK1424	CEUST1A680 (T-7)
C120	281-0913-00		CAP,FXD,CER DI:0.1UF,50V,AXIAL	04222	MA105E104ZAA
C130	281-0913-00		CAP,FXD,CER DI:0.1UF,50V,AXIAL	04222	MA105E104ZAA
C132	281-0913-00		CAP,FXD,CER DI:0.1UF,50V,AXIAL	04222	MA105E104ZAA
C220	281-0913-00		CAP,FXD,CER DI:0.1UF,50V,AXIAL	04222	MA105E104ZAA
C230	281-0913-00		CAP,FXD,CER DI:0.1UF,50V,AXIAL	04222	MA105E104ZAA
C232	281-0913-00		CAP,FXD,CER DI:0.1UF,50V,AXIAL	04222	MA105E104ZAA
C240	281-0913-00		CAP,FXD,CER DI:0.1UF,50V,AXIAL	04222	MA105E104ZAA
C320	281-0913-00		CAP,FXD,CER DI:0.1UF,50V,AXIAL	04222	MA105E104ZAA
C330	281-0913-00		CAP,FXD,CER DI:0.1UF,50V,AXIAL	04222	MA105E104ZAA
C332	281-0913-00		CAP,FXD,CER DI:0.1UF,50V,AXIAL	04222	MA105E104ZAA
C340	281-0913-00		CAP,FXD,CER DI:0.1UF,50V,AXIAL	04222	MA105E104ZAA
C420	281-0913-00		CAP,FXD,CER DI:0.1UF,50V,AXIAL	04222	MA105E104ZAA
C430	281-0913-00		CAP,FXD,CER DI:0.1UF,50V,AXIAL	04222	MA105E104ZAA
C432	281-0913-00		CAP,FXD,CER DI:0.1UF,50V,AXIAL	04222	MA105E104ZAA
C440	281-0913-00		CAP,FXD,CER DI:0.1UF,50V,AXIAL	04222	MA105E104ZAA
C442	290-1123-00		CAP,FXD,ELCTL:68MF,20%,10V	TK1424	CEUST1A680 (T-7)
J100	131-0608-00		TERMINAL,PIN:0.365 L X 0.025 BRZ GLD PL (QUANTITY OF 8)	22526	48283-036
J102	131-0608-00		TERMINAL,PIN:0.365 L X 0.025 BRZ GLD PL (QUANTITY OF 8)	22526	48283-036
J104	131-0608-00		TERMINAL,PIN:0.365 L X 0.025 BRZ GLD PL (QUANTITY OF 8)	22526	48283-036
J106	131-0608-00		TERMINAL,PIN:0.365 L X 0.025 BRZ GLD PL (QUANTITY OF 8)	22526	48283-036
J120	131-0608-00		TERMINAL,PIN:0.365 L X 0.025 BRZ GLD PL (QUANTITY OF 8)	22526	48283-036
J122	131-0608-00		TERMINAL,PIN:0.365 L X 0.025 BRZ GLD PL (QUANTITY OF 3)	22526	48283-036
J200	131-0608-00		TERMINAL,PIN:0.365 L X 0.025 BRZ GLD PL (QUANTITY OF 8)	22526	48283-036
J202	131-0608-00		TERMINAL,PIN:0.365 L X 0.025 BRZ GLD PL (QUANTITY OF 8)	22526	48283-036
J204	131-0608-00		TERMINAL,PIN:0.365 L X 0.025 BRZ GLD PL (QUANTITY OF 8)	22526	48283-036
J206	131-0608-00		TERMINAL,PIN:0.365 L X 0.025 BRZ GLD PL (QUANTITY OF 8)	22526	48283-036
J220	131-0608-00		TERMINAL,PIN:0.365 L X 0.025 BRZ GLD PL (QUANTITY OF 3)	22526	48283-036
J300	131-0608-00		TERMINAL,PIN:0.365 L X 0.025 BRZ GLD PL (QUANTITY OF 8)	22526	48283-036
J302	131-0608-00		TERMINAL,PIN:0.365 L X 0.025 BRZ GLD PL (QUANTITY OF 8)	22526	48283-036
J304	131-0608-00		TERMINAL,PIN:0.365 L X 0.025 BRZ GLD PL (QUANTITY OF 8)	22526	48283-036
J306	131-0608-00		TERMINAL,PIN:0.365 L X 0.025 BRZ GLD PL (QUANTITY OF 8)	22526	48283-036
J308	131-0608-00		TERMINAL,PIN:0.365 L X 0.025 BRZ GLD PL (QUANTITY OF 8)	22526	48283-036
J320	131-0608-00		TERMINAL,PIN:0.365 L X 0.025 BRZ GLD PL (QUANTITY OF 6)	22526	48283-036
J500	131-2866-00		CONN,RCPT,ELEC:MALE,RTANG,3 X 32,0.1 SP	91662	108457096002025
J540	131-2964-00		CONN,RCPT,ELEC:FEMALE,3 X 32,RTANG,0.1 CTR	TK1483	073-96914-390

Component No.	Tektronix	Serial/Assembly No.		Name & Description	Mfr.	
	Part No.	Effective	Dscont		Code	Mfr. Part No.
R120	315-0472-00			RES, FXD, FILM:4.7K OHM, 5%, 0.25M	57668	NTR25J-E04K7
R232	315-0472-00			RES, FXD, FILM:4.7K OHM, 5%, 0.25M	57668	NTR25J-E04K7
R240	315-0472-00			RES, FXD, FILM:4.7K OHM, 5%, 0.25M	57668	NTR25J-E04K7
R242	315-0472-00			RES, FXD, FILM:4.7K OHM, 5%, 0.25M	57668	NTR25J-E04K7
R332	315-0472-00			RES, FXD, FILM:4.7K OHM, 5%, 0.25M	57668	NTR25J-E04K7
R340	315-0472-00			RES, FXD, FILM:4.7K OHM, 5%, 0.25M	57668	NTR25J-E04K7
R430	315-0472-00			RES, FXD, FILM:4.7K OHM, 5%, 0.25M	57668	NTR25J-E04K7
TP100	131-0608-00			TERMINAL, PIN:0.365 L X 0.025 BRZ GLD PL	22526	48283-036
TP200	131-0608-00			TERMINAL, PIN:0.365 L X 0.025 BRZ GLD PL	22526	48283-036
TP204	131-0608-00			TERMINAL, PIN:0.365 L X 0.025 BRZ GLD PL	22526	48283-036
TP300	131-0608-00			TERMINAL, PIN:0.365 L X 0.025 BRZ GLD PL	22526	48283-036
TP400	131-0608-00			TERMINAL, PIN:0.365 L X 0.025 BRZ GLD PL	22526	48283-036
U120	156-1754-02			MICROCKT, DGTL:OCTAL BUFFER & LINE DRIVER W/ 3-STATE OUT, SCRNM	01295	SN74ALS244A-1N3
U130	160-3834-00			MICROCKT, DGTL:STTL, QUAD 16 INPUT REGISTERED AND/OR, PRGM	80009	160-3834-00
U132	156-1723-00			MICROCKT, DGTL:QUAD 2 INPUT & GATE, SCRNM	04713	MC74F08 ND OR JD
U220	156-1858-00			MICROCKT, DGTL:TRANSPARENT D-TYPE LATCHES	01295	SN74LS573(NP3)
U230	156-1754-02			MICROCKT, DGTL:OCTAL BUFFER & LINE DRIVER W/ 3-STATE OUT, SCRNM	01295	SN74ALS244A-1N3
U232	156-1722-00			MICROCKT, DGTL:HEX INVERTER	04713	MC74F04ND
U240	156-0844-02			MICROCKT, DGTL:SYN 4 BIT CNTR	01295	SN74LS161A(NP3)
U320	156-1858-00			MICROCKT, DGTL:TRANSPARENT D-TYPE LATCHES	01295	SN74LS573(NP3)
U330	156-1754-02			MICROCKT, DGTL:OCTAL BUFFER & LINE DRIVER W/ 3-STATE OUT, SCRNM	01295	SN74ALS244A-1N3
U332	156-0844-02			MICROCKT, DGTL:SYN 4 BIT CNTR	01295	SN74LS161A(NP3)
U340	156-0844-02			MICROCKT, DGTL:SYN 4 BIT CNTR	01295	SN74LS161A(NP3)
U420	156-1858-00			MICROCKT, DGTL:TRANSPARENT D-TYPE LATCHES	01295	SN74LS573(NP3)
U430	156-1754-02			MICROCKT, DGTL:OCTAL BUFFER & LINE DRIVER W/ 3-STATE OUT, SCRNM	01295	SN74ALS244A-1N3
U432	156-0844-02			MICROCKT, DGTL:SYN 4 BIT CNTR	01295	SN74LS161A(NP3)
U440	156-0844-02			MICROCKT, DGTL:SYN 4 BIT CNTR	01295	SN74LS161A(NP3)