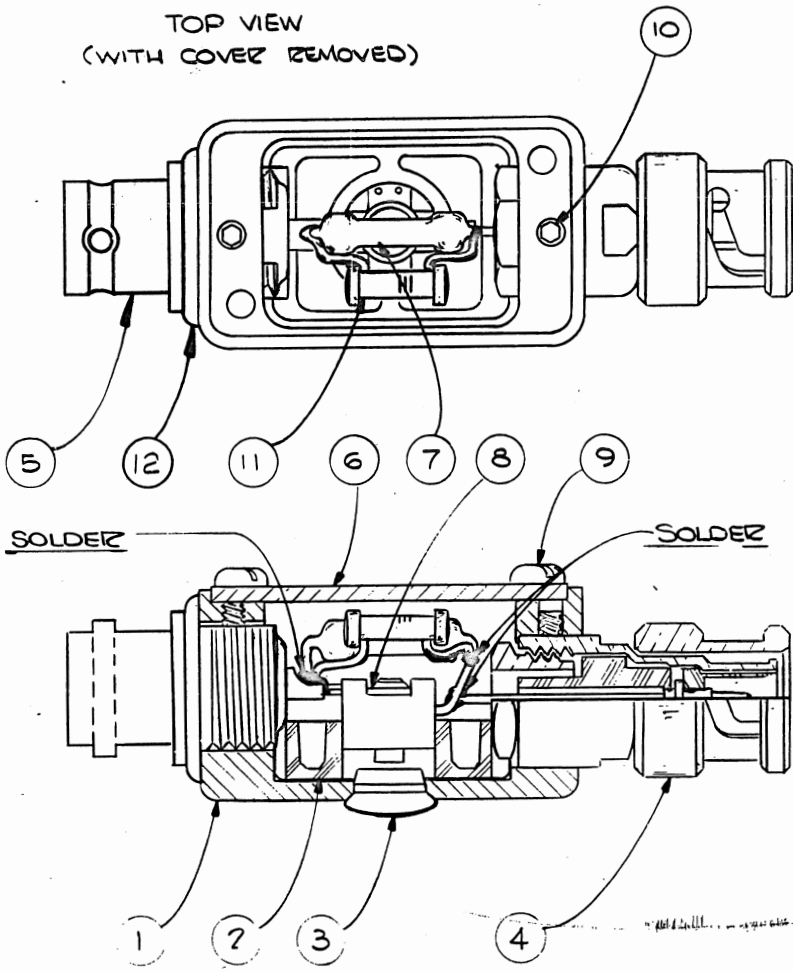



TOP VIEW
(WITH COVER REMOVED)

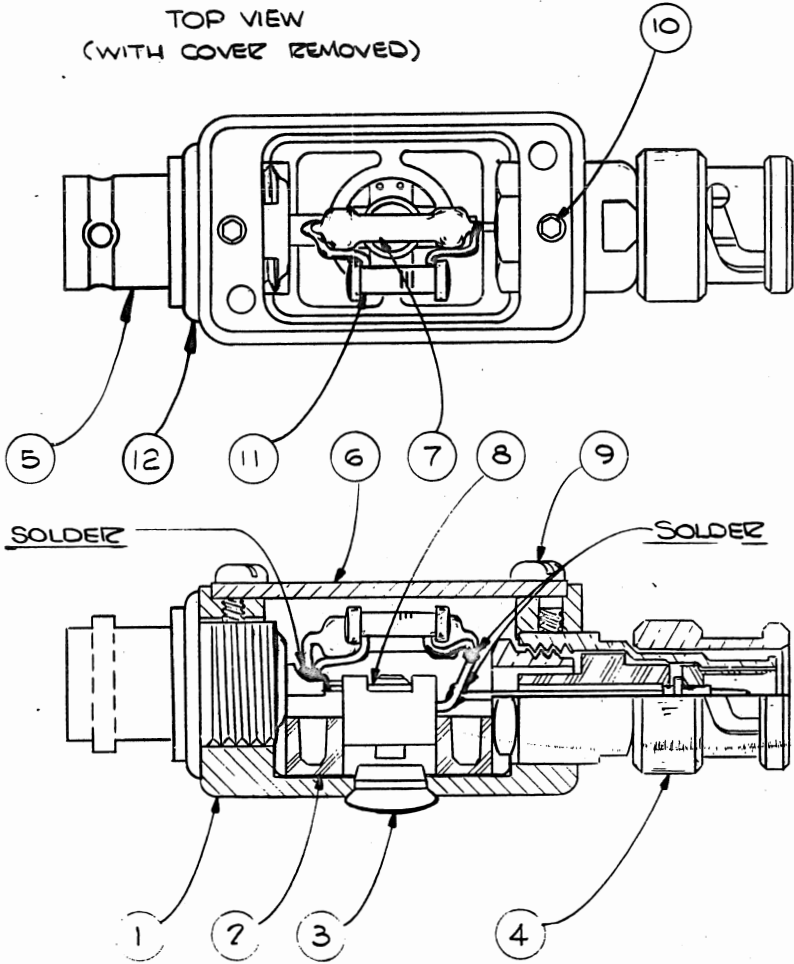



 TEKTRONIX, INC. PORTLAND, OREGON, U.S.A.	NORMALIZER, 47 pf.		
	MATERIAL NOTED		
FINISH NONE			TYPE 067-054-00
SCALE NONE	BLANK SIZE	DATE 1-5-67 INGR DR BY BB CH. BY <i>MMR</i>	
TOLERANCE ANGLES 2° FRACTIONAL 1/64 UNLESS OTHERWISE	PART NO 067-0541-00	REV	DWG. NO. C

DO NOT SCALE DRAWING

ITEM	QTY	PART NO.	DWG.	DESCRIPTION
20				
19				
18				
17				
16				
15				
14				
13				
12	1	210-0962-00	A	WASHER BEVEL
11	1	281-0600-00		CAPACITOR,
10	2	213-0075-00		SET SCREW, 4-40x.094
9	2	213-0088-00		SCREW, 4-40x.250 PHS (THREAD FORMING)
8	1	281-0061-00		CAPACITOR, 5.5-18 pf
7	1	323-0481-00		1 MEG. RESISTOR 1/2 W 1% C
6	1	200-0573-00	A	COVER, NORMALIZER
5	1	131-0126-00	A	CONNECTOR, BNC BULKHEAD .500 D HOLE
4	1	131-0428-00		CONN. ASS'Y BNC
3	1	214-0271-00	A	BUTTON
2	1	352-0045-00	A	HOLDER, CAP. POSITIONING
1	1	202-0095-00	A	BOX, STANDARDIZER

TOP VIEW
(WITH COVER REMOVED)

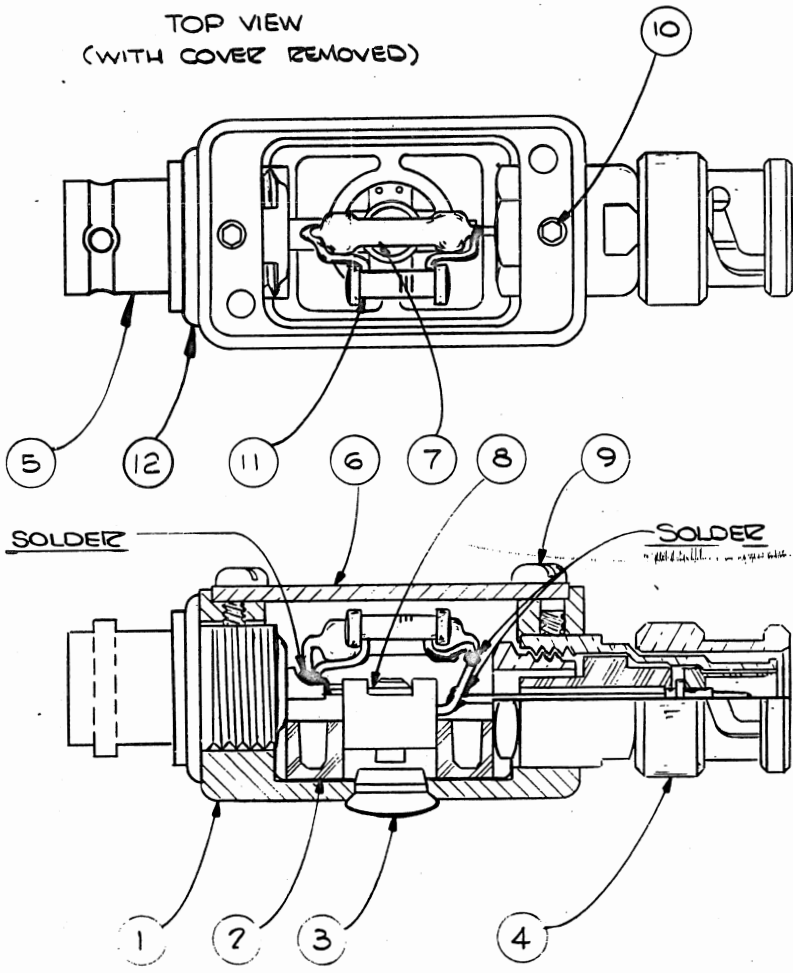



 TEKTRONIX, INC. PORTLAND, OREGON, U.S.A.	TIT NORMALIZER, 47 pf.		
	MATERIAL NOTED		
SCALE NONE		FINISH NONE	TYPE 067-054-00
TOLERANCE ANGLES 22° FRACTIONAL 3/64 UNLESS OTHERWISE		DATE 1-5-67 INGR	DR BY BB CH. BY JMR
PART NO 067-0541-00		REV	DWG. NO. C

DO NOT SCALE DRAWING

ITEM	QTY	PART NO	DWG	DESCRIPTION
20				
19				
18				
17				
16				
15				
14				
13				
12	1	210-0962-00	A	WASHER BEVEL
11	1	281-0600-00		CAPACITOR,
10	2	213-0075-00		SET SCREW, 4-40 x .094
9	2	213-0088-00		SCREW, 4-40 x .250 PHS (THREAD FORMING)
8	1	281-0061-00		CAPACITOR, 5.5-18 pf
7	1	323-0481-00		1 MEG. RESISTOR 1/2 W 1%
6	1	200-0573-00	A	COVER, NORMALIZER
5	1	131-0126-00	A	CONNECTOR, BNC BULKHEAD .500 D HOLE
4	1	131-0428-00		CONN. ASS'Y BNC
3	1	214-0271-00	A	BUTTON
2	1	352-0045-00	A	HOLDER, CAP. POSITIONING
1	1	202-0095-00	A	BOX, STANDARDIZER

TOP VIEW
(WITH COVER REMOVED)

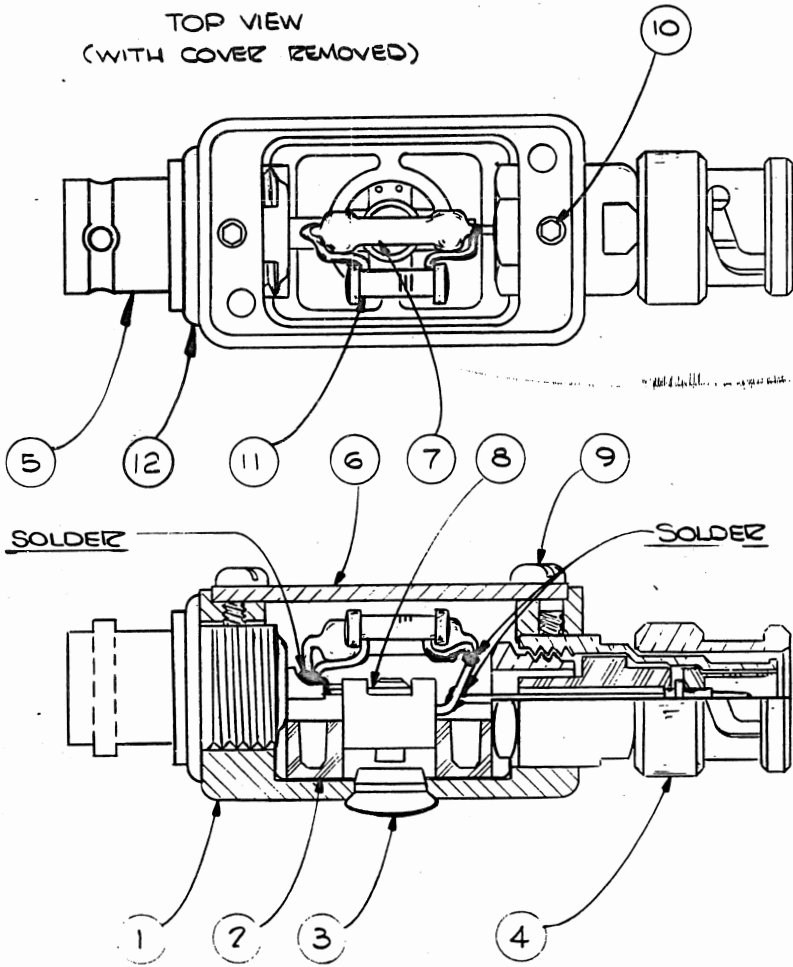


 TEKTRONIX, INC. PORTLAND, OREGON, U.S.A.	TYP NORMALIZER, 47 pf.		
	MATERIAL NOTED		
FINISH NONE			TYPE 067-054-00
SCALE NONE		BLANK SIZE	
TOLERANCE ANGLES 2:1 FRACTIONAL 2/64 UNLESS OTHERWISE		DATE 1-5-67 INGR	DR BY BB CH. BY MAR
PART NO 067-0541-00		REV	DWG. NO. C

DO NOT SCALE DRAWING

ITEM	QTY	PART NO.	DWG.	DESCRIPTION
20				
19				
18				
17				
16				
15				
14				
13				
12	1	210-0962-00	A	WASHER BEVEL
11	1	281-0600-00		CAPACITOR,
10	2	213-0075-00		SET SCREW, 4-40x.094
9	2	213-0088-00		SCREW, 4-40x.250 PHS (THREAD FORMING)
8	1	281-0061-00		CAPACITOR, 5.5-18 pf
7	1	323-0481-00		1 MEG. RESISTOR 1/2 W 1%
6	1	200-0573-00	A	COVER, NORMALIZER
5	1	131-0126-00	A	CONNECTOR, BNC BULKHEAD .500 D HOLE
4	1	131-0428-00		CONN. ASSY BNC
3	1	214-0271-00	A	BUTTON
2	1	352-0045-00	A	HOLDER, CAP. POSITIONING
1	1	202-0095-00	A	BOX, STANDARDIZER

TOP VIEW
(WITH COVER REMOVED)



TEKTRONIX, INC. PORTLAND, OREGON, U.S.A.	TYP NORMALIZER, 47 pf.		
	MATERIAL NOTED		
	FINISH NONE		
SCALE NONE	BLANK SIZE	TYP 067-054-00	
TOLERANCE ANGLES 2:1 FRACTIONAL 2/64 UNLESS OTHERWISE	DATE 1-5-67 INGR	DR BY BB	CH. BY <i>JMR</i>
	PART NO 067-0541-00	REV C	DWG. NO.

DO NOT SCALE DRAWING

ITEM	QTY	PART NO.	DWG.	DESCRIPTION
20				
19				
18				
17				
16				
15				
14				
13				
12	1	210-0962-00	A	WASHER BEVEL
11	1	281-0600-00		CAPACITOR,
10	2	213-0075-00		SET SCREW, 4-40x.094
9	2	213-0088-00		SCREW, 4-40x.250 PHS (THREAD FORMING)
8	1	281-0061-00		CAPACITOR, 5.5-18 pf
7	1	323-0481-00		1 MEG. RESISTOR 1/2 W 1%
6	1	200-0573-00	A	COVER, NORMALIZER
5	1	131-0126-00	A	CONNECTOR, BNC BULKHEAD .500 D HOLE
4	1	131-0428-00		CONN. ASSY BNC
3	1	214-0271-00	A	BUTTON
2	1	352-0045-00	A	HOLDER, CAP. POSITIONING
1	1	202-0095-00	A	BOX, STANDARDIZER