



# Instructions

067-1038-00

CALIBRATION FIXTURE  
(PG 507 Service Kit)

---

## SERVICE SAFETY SUMMARY

### FOR QUALIFIED SERVICE PERSONNEL ONLY

*Refer also to the Operators Safety Summary contained in the instrument instruction manual.*

#### **Do Not Service Alone**

Do not perform internal service or adjustment unless another person capable of rendering first aid and resuscitation is present.

#### **Use Care When Servicing With Power On**

Dangerous voltages may exist at several points. To avoid personal injury, do not touch exposed connections and components while power is on.

Disconnect power before removing protective panels, soldering, or replacing components.

#### **Power Source**

TM 500 plug-ins are intended to operate in a power module connected to a power source that will not apply more than 250 volts rms between the supply conductors or between either supply conductor and ground. A protective ground connection by way of the grounding conductor in the power cord is essential for safe operation.



# PG 507 SERVICE KIT INSTRUCTIONS

## Introduction

The 067-1038-00 PG 507 Service Kit is an aid for troubleshooting the PG 507 50 MHz Dual Output Pulse Generator, a TM 500 plug-in. The kit consists of the cable assemblies necessary to lengthen connections between the PG 507 Output A and Output B board set (A13 and A14) and rest of the instrument. It allows these boards to be removed and then electrically connected to the instrument for easy access to troubleshooting points.

## Equipment Required

TEKTRONIX TM 500 Series power module (with two or more compartments)  
2 flexible extender cables (Tektronix Part No. 067-0645-02)

## Procedure

### Output A and B Board Removal

To prepare the PG 507 for troubleshooting using the 067-1038-00 PG 507 Service Kit, first remove the Output A and B board set as follows:

Carefully pry off the snap-in right side cover. Remove the four screws attaching the top and bottom covers and remove covers. Refer to Fig. 1. Unscrew the 4 Phillips head screws and two bullet screws attaching the back plate to the side rails.

Remove the coaxial cables to the Output A and B boards identified in Fig. 2. Disconnect the multipin connectors identified to Fig. 2 from their connections on the Output A and B boards. Remove the four screws holding the Output B board to the side rails. Carefully slide the Output A and B boards back and out of the chassis.

### Connecting the PG 507 Service Kit

Position the boards next to the PG 507 chassis and connect its cables and the service kit cables as shown in Fig. 3. Make certain to match the index pins on the cable connectors.

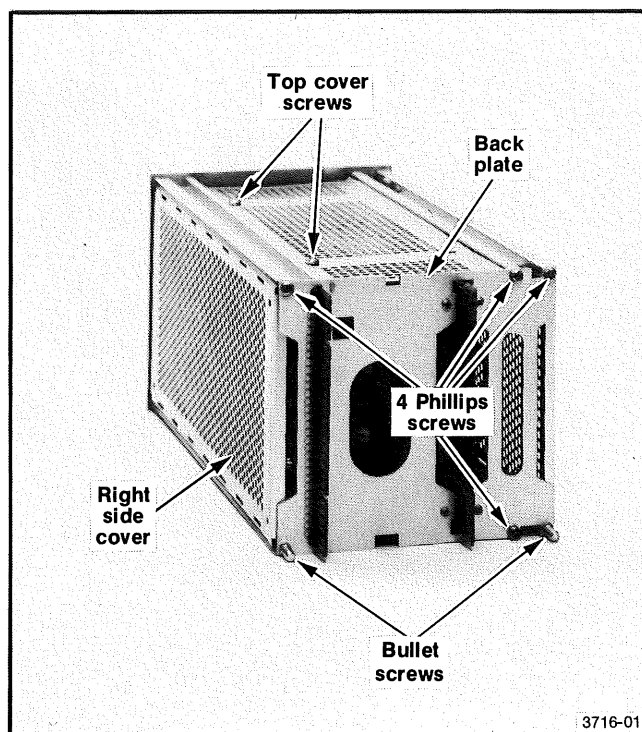


Fig. 1. Back plate and cover removal.

### CAUTION

Turn the power module off before connecting or disconnecting the flexible extender cables to the power module or the PG 507 rear interface boards; otherwise, damage may occur to the plug-in circuitry.

To apply power to the instrument, connect the flexible extender cables between rear interface boards (the Auxiliary board (A15) and the Output B board (A14) and the power module rear interface connectors, making certain to correctly match the connector pin numbers.

### WARNING

While power is applied to the instrument, dangerous potentials exist in the instrument, particularly the rear one-third of the Output B board (A14). Do not contact exposed connections or components.

Pull out on the power module power switch to apply power to the PG 507.

To reassemble the instrument, turn off the power module and reverse the above procedure. Take care to match connector index pins.

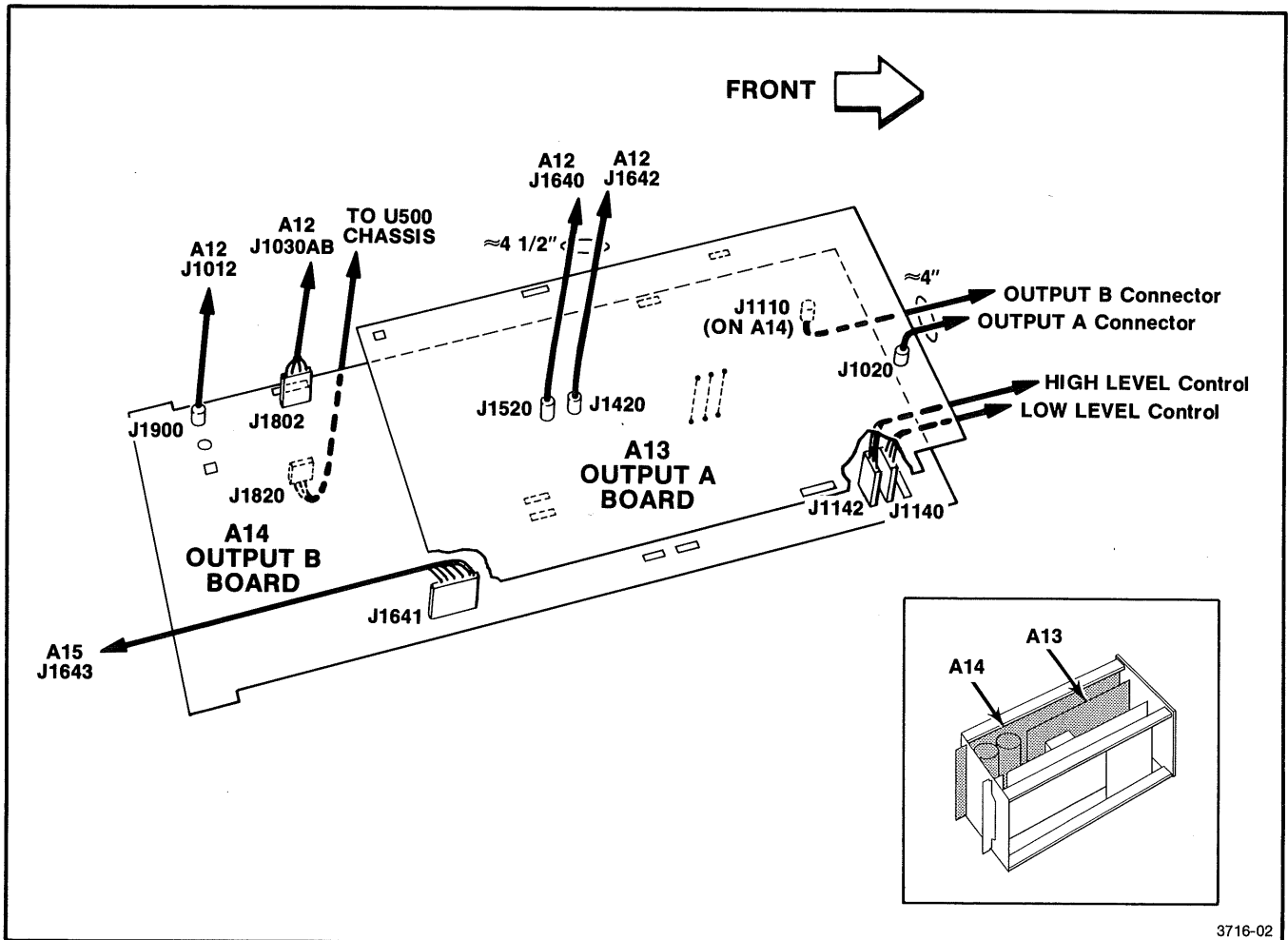


Fig. 2. Output A and B board cable disconnection.

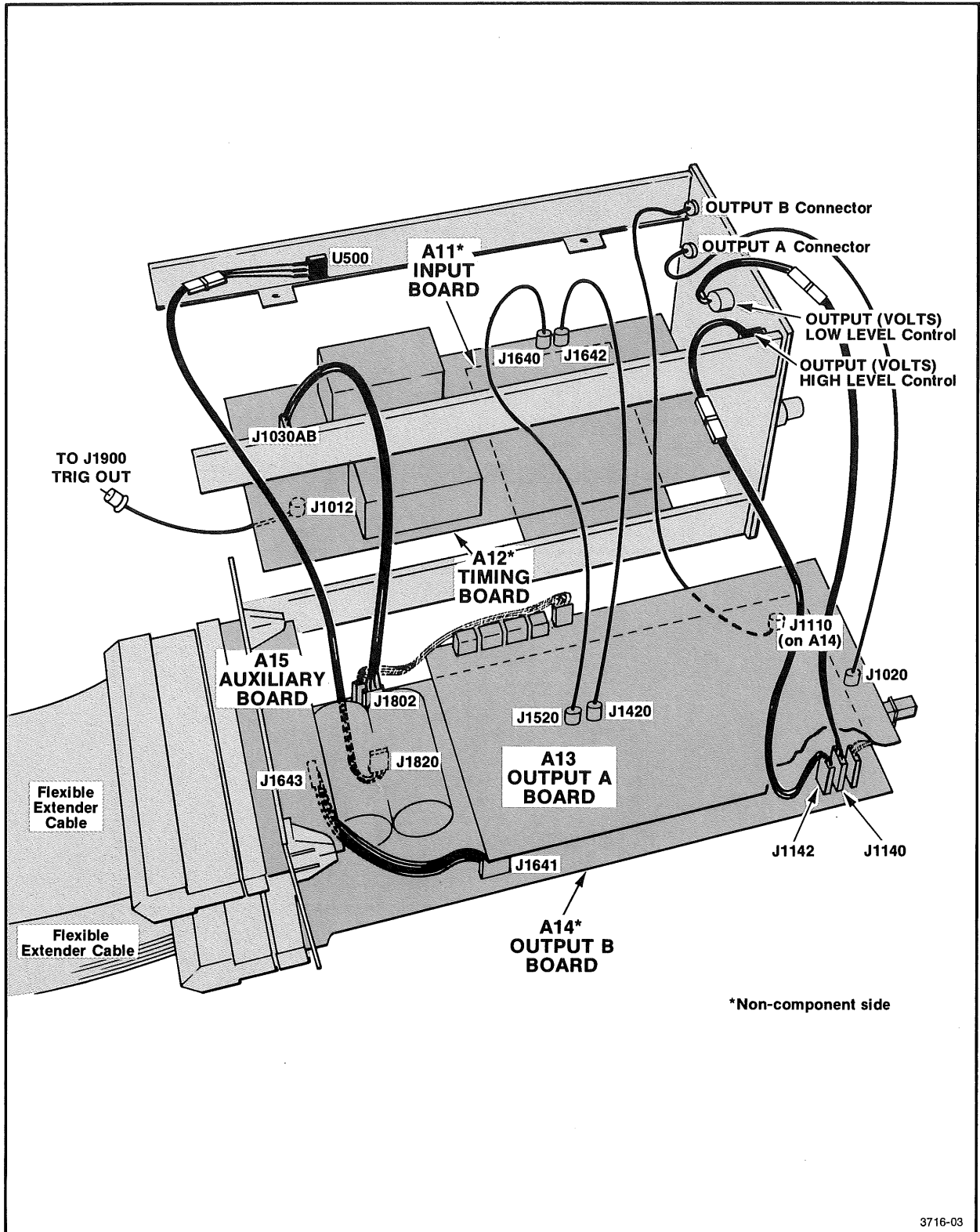


Fig. 3. 067-1038-00 Service Kit installation.

Fig. & Index No.	Tektronix Part No.	Serial/Model No. Eff	Dscont	Qty	1	2	3	4	5	Name & Description	Mfr Code	Mfr Part Number
	131-1343-00			1						TERM. SET, PIN:36-0.525 L X 0.025 SQ	22526	65501-136
	175-3356-00			1						CABLE ASSY, RF:50 OHM COAX, 18.0 L, 9-3	80009	175-3356-00
	175-3908-00			1						CA ASSY, SP, ELEC:4, 26 AWG, 12.0 L, RIBBON	80009	175-3908-00
	175-3909-00			3						CA ASSY, SP, ELEC:3, 26 AWG, 12.0 L, RIBBON	80009	175-3909-00
	175-3910-00			1						CABLE ASSY, RF:50 OHM COAX, 18.0 L, 9-2	80009	175-3910-00
	175-3911-00			2						CABLE ASSY, RF:50 OHM COAX, 18.0 L, 9-1	80009	175-3911-00
ACCESSORIES												
	070-3716-00			1						SHEET, TECH: INSTR, PG507 SERVICE KIT	80009	070-3716-00

CROSS INDEX—MFR. CODE NUMBER TO MANUFACTURER

Mfr. Code	Manufacturer	Address	City, State, Zip
22526	BERG ELECTRONICS, INC.	YOUK EXPRESSWAY	NEW CUMBERLAND, PA 17070
80009	TEKTRONIX, INC.	P O BOX 500	BEAVERTON, OR 97077