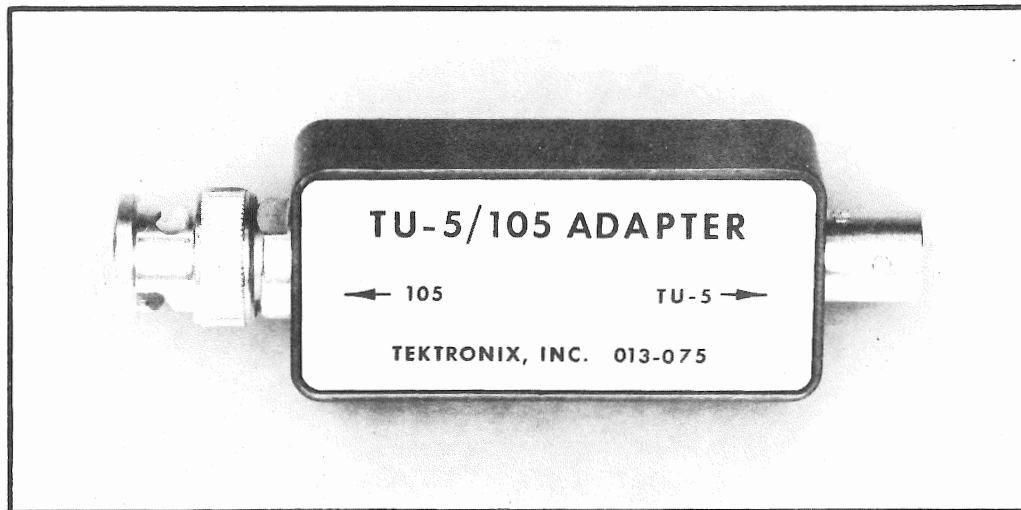


# INSTRUCTION SHEET



## TU-5/105 ADAPTER

The Tektronix TU-5/105 Adapter allows the Tektronix Type 105 Square-Wave Generator to drive the TU-5 Pulser. The TU-5 requires an input signal which is always above ground. The Adapter shifts the Type 105 output level from below ground to above ground. The TU-5 can be used at any frequency within the limits of the Type 105, above 1 kc. The higher output frequencies provide a brighter crt display when fast sweep rates are used.

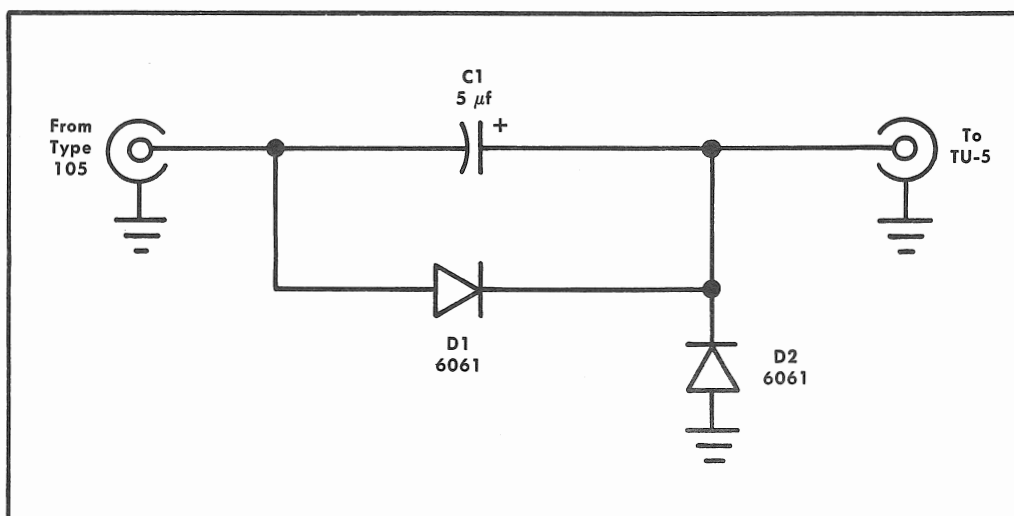
### Operating Instructions

Connect the TU-5/105 Adapter between the Type 105 Generator and the TU-5 Pulser. Set the TU-5 bias control

knob to midrange and set the Type 105 output frequency to the desired rate (above 1 kc). Advance the Type 105 Output Amplitude control until the TU-5 switches. Make final bias adjustment with the TU-5 bias control knob.

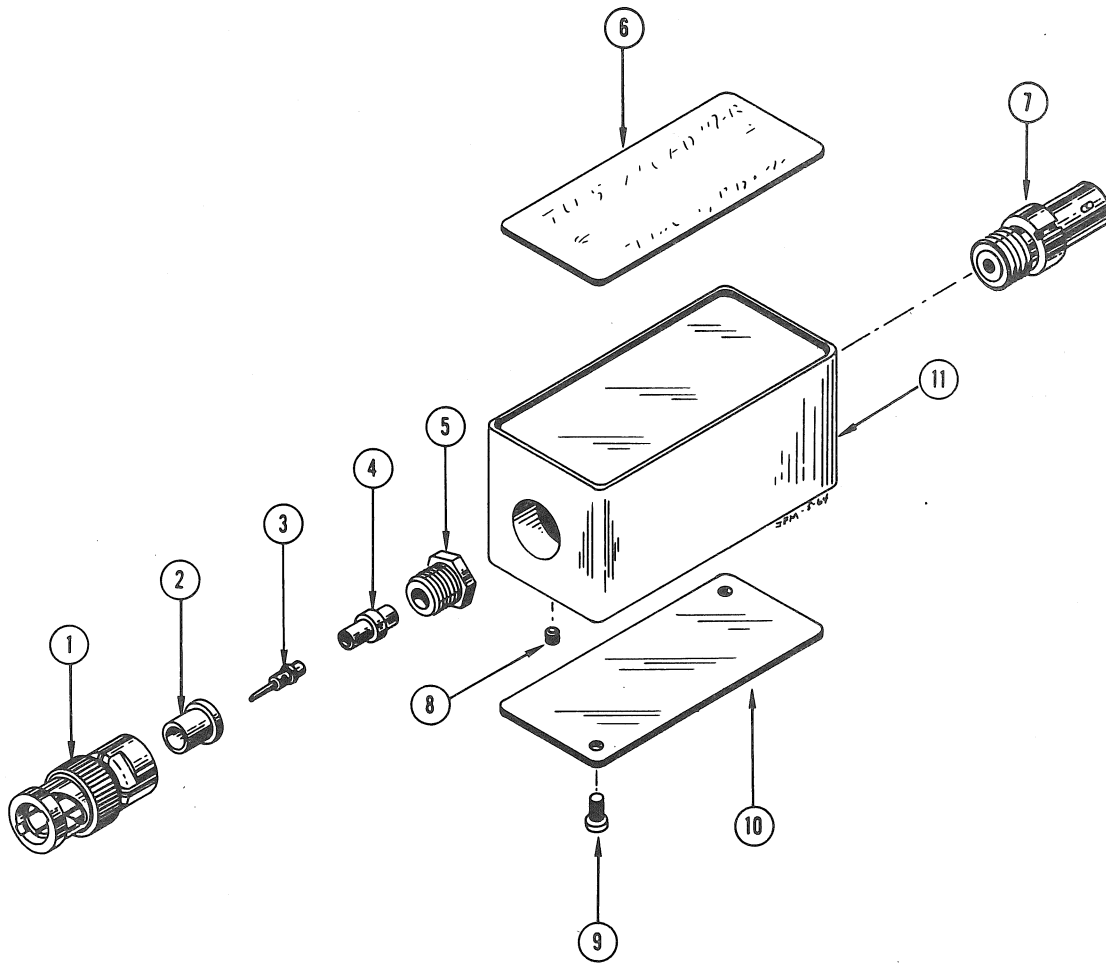
### Circuit Description

Capacitor C1 removes the dc component from the Type 105 output waveform. Diode D2 clamps the waveform so that only a positive output waveform appears at the adapter output. Diode D1 provides reverse-polarity voltage protection for capacitor C1.



Schematic of TU-5/105 Adapter

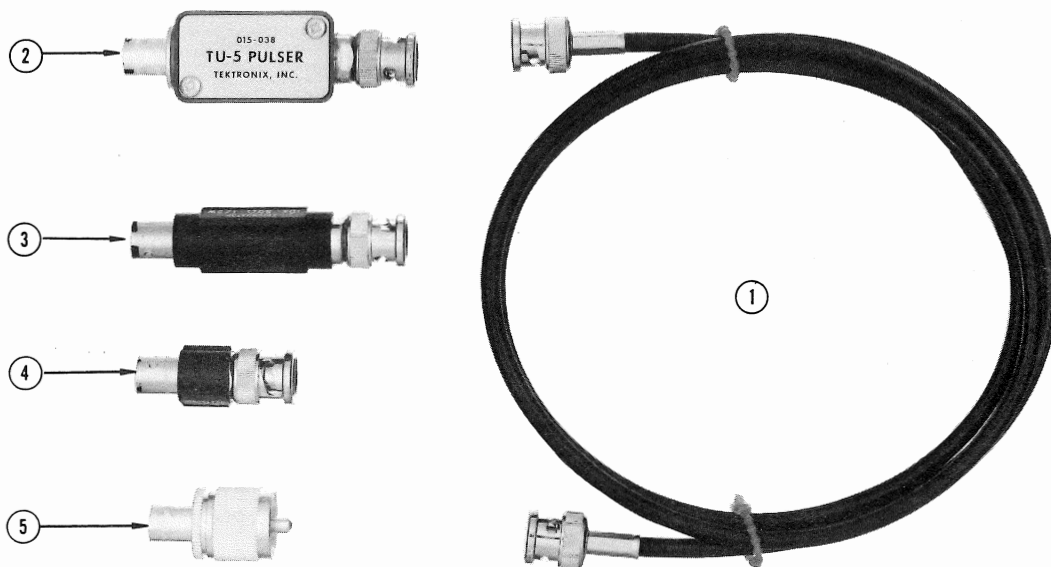
TU-5/105 ADAPTER (Part No. 013-075)



REF. NO.	PART NO.	SERIAL/MODEL NO.		QTY.	DESCRIPTION
		EFF.	DISC.		
1	134-044			1	PLUG, probe, BNC
2	358-072			1	BUSHING, insulator, .323 inch long
3	214-109			1	PIN, probe contact, male
4	166-217			1	TUBE, spacer, insulator, 5/8 inch long
5	132-081			1	NUT
6	334-850			1	TAG, name, TU-5/105
7	131-106			1	CONNECTOR, chassis mounted, 1 contact, female
8	213-048			2	SCREW, set, 4-40 x 1/8 inch HSS
9	213-035			2	SCREW, thread cutting, 4-40 x 1/4 inch PHS phillips
10	200-252			1	COVER, bottom
11	202-054			1	BOX, terminal
					<b>ELECTRICAL PARTS</b>
	152-061			2	DIODE, silicon, Tek Spec (D1 and D2)
	290-149			1	CAPACITOR, 5 $\mu$ f, EMT, 150 V (C1)

# TU-5 PULSER AND ACCESSORIES

## (Part No. 015-0043-00)



REF. NO.	PART NO.	SERIAL/MODEL NO.		QTY.	DESCRIPTION
		EFF.	DISC.		
1	012-0057-01			1	CABLE, assembly, 50 $\Omega$ coaxial
2	015-0038-00			1	TU-3 TUNNEL DIODE PULSER
3	011-0059-00			1	50 OHM 10X ATTENUATOR (BNC)
4	011-0049-00			1	50 OHM TERMINATION
5	103-0015-00			1	ADAPTER, probe, BNC to UHF

**DATA SHEET NO.**

061-0786-00  
MARCH 1967  
(Revised)

FOR REPLACEABLE PARTS  
SEE RESPECTIVE PART NUMBERS



©, 1964, Tektronix, Inc.,  
All rights reserved.