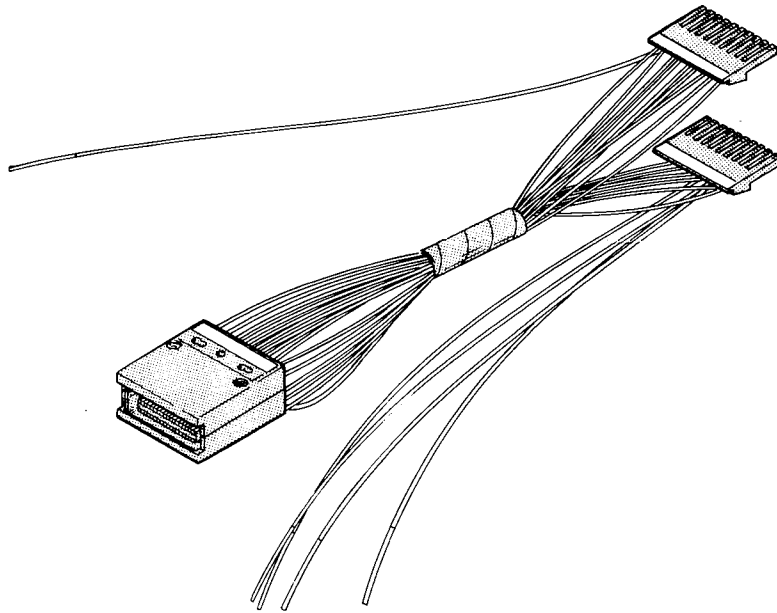


GPIB ADAPTER
Part No 103-0209-00



The GPIB adapter is a convenience connector to connect the P6451 Probe to a standard IEEE-488 cable assembly. This provides the appropriate information to the DF2 for formatting into GPIB mnemonics and data. To properly supply these BUS signals to the DF2 the GPIB adapter connects up the P6451 to the BUS in the following manner.

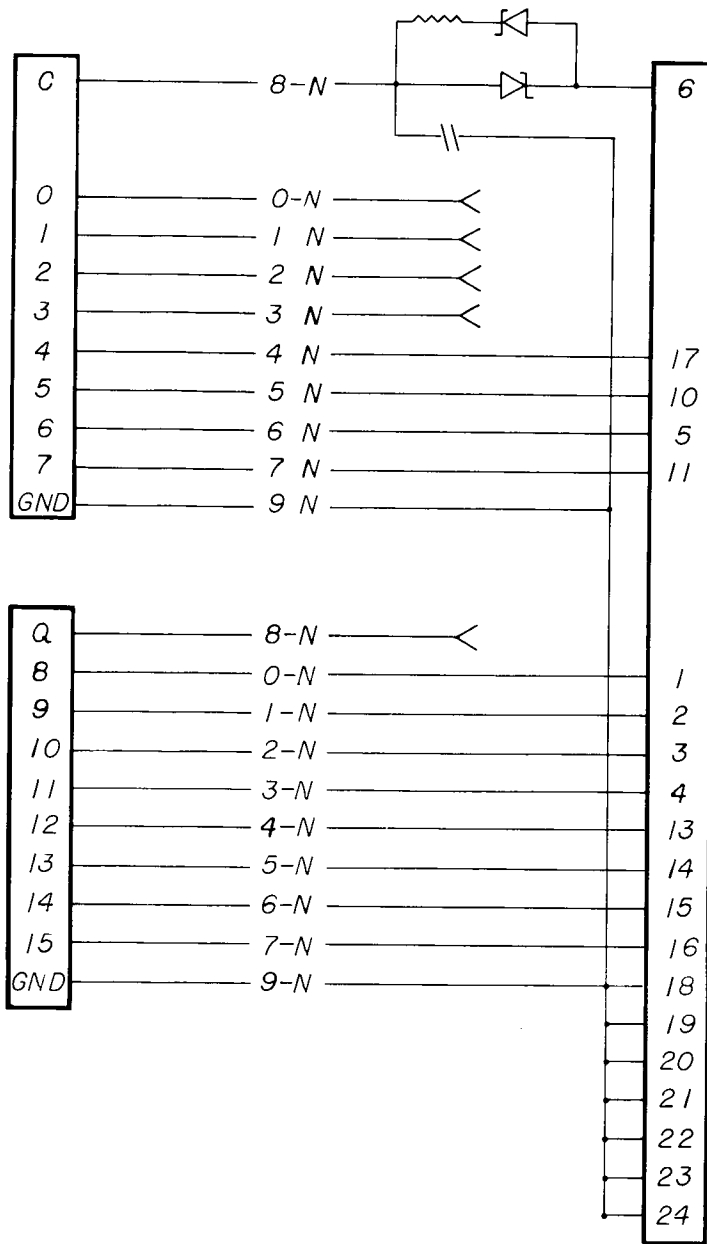
PROBE I

ch0	User
ch1	User
ch2	User
ch3	User
ch4	REN
ch5	SRQ
ch6	EOI
ch7	ATN
Clock	DAV
GND	

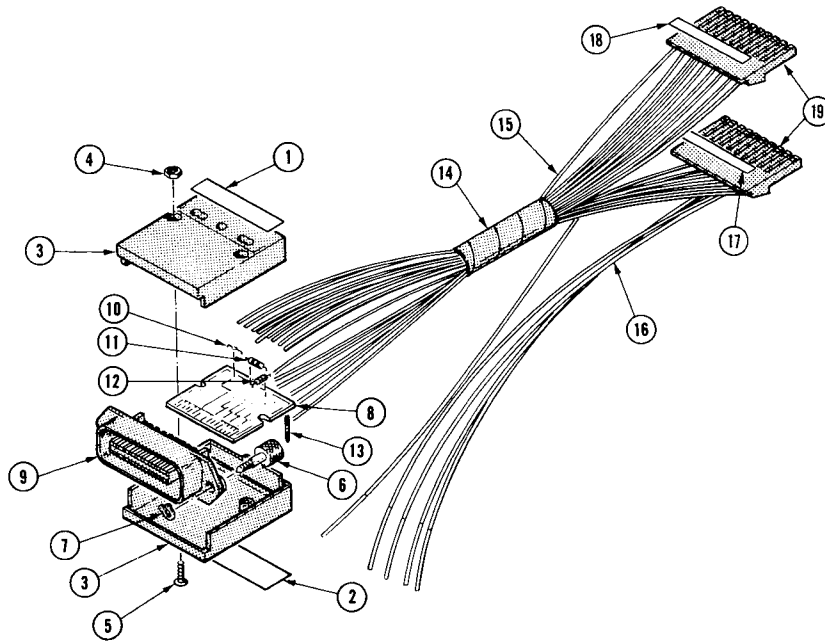
PROBE II

ch8	DIO 1
ch9	DIO 2
ch10	DIO 3
ch11	DIO 4
ch12	DIO 5
ch13	DIO 6
ch14	DIO 7
ch15	DIO 8
Qual	N.C.
GND	

Also provided at the GPIB end of the adapter are four BUS signals: DAV, NRFD, NDAC, IFC, GND.



103-0209-00



REPLACEABLE PARTS LIST

Fig. & Index No.	Tektronix Part No.	Serial/Model No. Eff	Dscont	Qty	1 2 3 4 5	Name & Description	Mfr Code	Mfr Part Number
1-	103-0209-00			1		ADAPTER, CONN: GPIB TO PROBE	80009	103-0209-00
-1	334-3345-00			1		. MARKER, IDENT: MKD TEKTRONIX	80009	334-3345-00
-2	334-3346-00			1		. MARKER, IDENT: DAV NRFD GND NDAC IFC	80009	334-3346-00
-3	380-0533-00			2		. HSG HALF, CONN: GPIB	80009	380-0533-00
						(ATTACHING PARTS FOR EACH)		
-4	210-0406-00			1		. NUT, PLAIN, HEX.: 4-40 X 0.188 INCH, BR5	73743	2X12161-402
-5	211-0106-00			1		. SCREW, MACHINE: 4-40 X 0.625, FLH, 100 DEG ST	83385	OBD
						- - - * - - -		
-6	213-0796-00			2		. THUMBSCREW: 3.5 X 0.6 OD, BLACK OXIDE, STL	80009	213-0796-00
						(ATTACHING PARTS FOR EACH)		
-7	354-0163-00			1		. RING, RETAINING: TRUAR, CAD PLATE	79136	5133-12MD
						- - - * - - -		
-8	670-5663-00			1		. CKT BOARD ASSY: GPIB CONNECTOR	80009	670-5663-00
-9	131-2180-00			1		. . CONN, RCPT, ELEC: CKT BD, MALE, 24 CONTACTS	00779	552227-1
-10	283-0069-00			1		. . CAP., FXD, CER DI: 15PF, 20%, 50V	72982	811-059COGO150M
-11	317-0512-00			1		. . RES., FXD, CMPSN: 5.1K OHM, 5%, 0.125	01121	BB5125
-12	152-0322-00			2		. . SEMICOND DEVICE: SILICON, 15V, HOT CARRIER	28480	5082-2672
-13	131-0608-00			5		. . CONTACT, ELEC: 0.365 L X 0.25 PH BRZ GOLD PL	22526	47357
-14	162-0579-00			1		. INS SLV, ELEC: 0.25 ID, SPL WRAP	87473	OBD
-15	012-0805-00			1		. LEAD SET, ELEC: 25 CM DF2 TO 010-6451-00	80009	012-0805-00
-16	012-0804-00			1		. LEAD SET, ELEC: 40 CM DF2 TO 010-6451-00	80009	012-0804-00
-17	334-3347-00			1		. MARKER, IDENT: GND THRU C	80009	334-3347-00
-18	334-3344-00			1		. MARKER, IDENT: GND THRU Q	80009	334-3344-00
-19	204-0783-01			2		. CONN BODY, PLUG: 10 WIDE PLASTIC	80009	204-0783-01

CROSS INDEX—MFR. CODE NUMBER TO MANUFACTURER

Mfr. Code	Manufacturer	Address	City, State, Zip
00779	AMP, INC.	P O BOX 3608	HARRISBURG, PA 17105
01121	ALLEN-BRADLEY COMPANY	1201 2ND STREET SOUTH	MILWAUKEE, WI 53204
22526	BERG ELECTRONICS, INC.	YOUK EXPRESSWAY	NEW CUMBERLAND, PA 17070
28480	HEWLETT-PACKARD CO., CORPORATE HQ.	1501 PAGE MILL RD.	PALO ALTO, CA 94304
72982	ERIE TECHNOLOGICAL PRODUCTS, INC.	644 W. 12TH ST.	ERIE, PA 16512
73743	FISCHER SPECIAL MFG. CO.	446 MORGAN ST.	CINCINNATI, OH 45206
79136	WALDES, KOHINOOR, INC.	47-16 AUSTEL PLACE	LONG ISLAND CITY, NY 11101
80009	TEKTRONIX, INC.	P O BOX 500	BEAVERTON, OR 97077
83385	CENTRAL SCREW CO.	2530 CRESCENT DR.	BROADVIEW, IL 60153
87473	INSULECTRO, A DIVISION OF QUINTEC INDST.	343 CORAL CIRCLE	EL SEGUNDO, CA 90245