

Instructions

Tektronix

120-0464-02

Replacement Current Transformer

062-6509-01

120-0464-02 Replacement Instructions

Read these instructions and consult your probe documentation before starting to remove or install the replacement transformer.

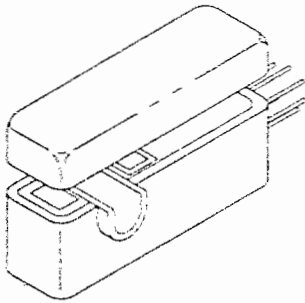


Figure 1: 120-0464-02 Replacement Transformer

Offset Resistor (R18)

If necessary, an offset resistor (R18) will be provided with your replacement transformer.

If a resistor is provided, it will be marked with a + or a -. The resistor should be installed in the circuit board as shown in Figure 2.

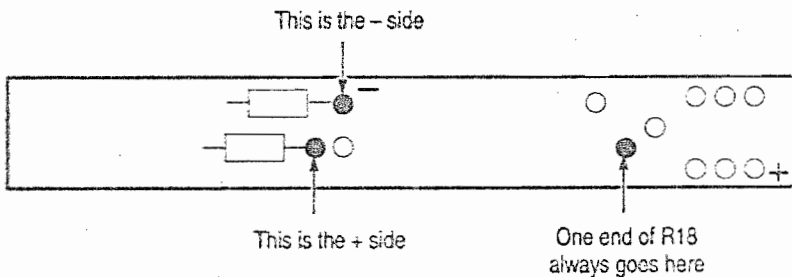


Figure 2: Offset Resistor Location

After the offset resistor has been installed, reassemble the probe and verify the DC accuracy. If the DC accuracy of the probe is not within published specifications, remove or replace the DC accuracy resistor (R19) as directed.

DC Accuracy Resistor (R19)

Add or remove resistor R19 (2.49 k Ω) from the circuit board if the DC accuracy specification is not met with the replacement transformer. The resistor is installed in the probe head between ground (a metal grounding post) and the pad that connects to pin "M" of the probe connector (P100).

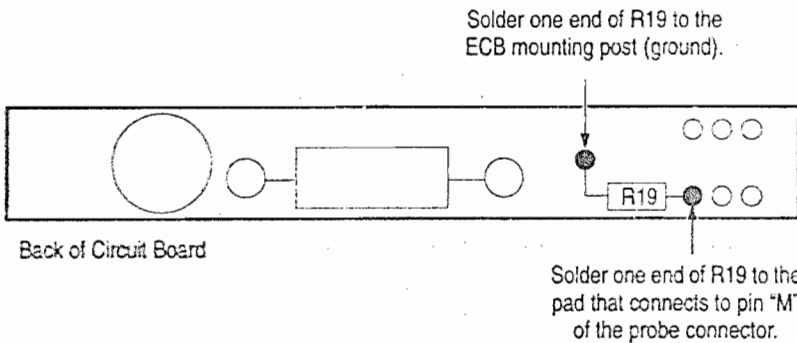


Figure 3: R19 Location

2

3

4

5

