

# Service Manual



## 1502B Metallic Time-Domain Reflectometer 070-6267-04

This document applies for firmware version 5.02 and above.

### **Warning**

The servicing instructions are for use by qualified personnel only. To avoid personal injury, do not perform any servicing unless you are qualified to do so. Refer to the Safety Summary prior to performing service.

First Printing: June 1996  
Revised: February 1998

## Instrument Serial Numbers

Each instrument manufactured by Tektronix has a serial number on a panel insert or tag, or stamped on the chassis. The first letter in the serial number designates the country of manufacture. The last five digits of the serial number are assigned sequentially and are unique to each instrument. Those manufactured in the United States of America have six unique digits. The country of manufacture is identified as follows:

B010000	Tektronix, Inc., Beaverton, Oregon, U.S.A.
E200000	Tektronix United Kingdom, Ltd., London, England
J300000	Sony/Tektronix, Japan
H700000	Tektronix Holland, NV, Heerenveen, The Netherlands

Instruments manufactured for Tektronix by external vendors outside the United States are assigned a two-digit alpha code to identify the country of manufacture (e.g., JP for Japan, HL for Honk Kong, IL for Israel, etc.).

Tektronix, Inc., P.O. Box 500, Beaverton, Oregon 97077, USA

Printed in U.S.A.

Copyright Tektronix, Inc., 1998. All rights reserved. Tektronix products are covered by U.S. and foreign patents, issued and pending. TEKTRONIX and TEK are registered trademarks of Tektronix, Inc.

## FCC Class A Device

This equipment has been tested and found to comply with the limits for a Class A digital device, pursuant to Part 15 of the FCC Rules. These limits are designed to provide reasonable protection against harmful interference in a commercial environment. This equipment generated, uses, and can radiate radio frequency energy, and, if not installed and used in accordance with the instructions, may cause harmful interference to radio communications. Operation of this equipment in a residential area is likely to cause harmful interference, in which case the user will be required to correct the interference at his own expense.

Changes or modification not expressly approved by Tektronix can affect emission compliance, and could void the user's authority to operate this equipment.

The 1502B Metallic Time-Domain Reflectometer was designed and manufactured by:

Tektronix, Inc.  
100 S.E. Wilson Ave.  
Bend, Oregon 97702 U.S.A  
Phone: 1-800-835-9433

### **Certificate of the Manufacturer/Importer**

We hereby certify that the Tektronix 1502B Metallic TDR complies with the RF Interference Suppression requirements of Amtsbl.-Vfg 1046/1984. The German Postal Service was notified that the equipment is being marketed. The German Postal Service has the right to re-test the series and to verify that it complies.

TEKTRONIX

### **Bescheinigung des Herstellers/Importeurs**

Hiermit wird bescheinigt, daß das Tektronix 1502B Metallic TDR Übereinstimmung mit den Bestimmungen der Amtsblatt-Verfügung 1046/1984 funktentstört ist. Der Deutschen Bundespost wurde das Inverkehrbringen dieses Gerätes angezeigt und die Berechtigung zur Überprüfung der Serie auf Einhalten der Bestimmungen eingeraäumt.

TEKTRONIX

#### **NOTICE to the user/operator:**

The German Postal Service requires that this equipment, when used in a test setup, may only be operated if the requirements of Postal Regulation, Vfg. 1046/1984, Par. 2, Sect. 1.7.1 are complied with.

#### **HINWEIS für den Benutzer/Betreiber:**

Dieses Gerät darf in Meßaufbauten nur betrieben werden, wenn die Voraussetzungen des Par. 2, Ziff. 1.7.1 der Vfg. 1046/1984 eingehalten werden.

#### **NOTICE to the user/operator:**

The German Postal Service requires that systems assembled by the operator/user of this instrument must also comply with Postal Regulation, Vfg. 243/1991, Par. 2, Sect. 1.

#### **HINWEIS für den Benutzer/Betreiber:**

Die vom Betreiber zusammengestellte Anlage, innerhalb derer dieses Gerät eingesetzt wird, muß ebenfalls den Voraussetzungen nach Par. 2, Ziff. 1 der Vfg. 243/1991, genügen.

## WARRANTY

Tektronix warrants that this product will be free from defects in materials and workmanship for a period of one (1) year from the date of shipment. If any such product proves defective during this warranty period, Tektronix, at its option, either will repair the defective product without charge for parts and labor, or will provide a replacement in exchange for the defective product.

In order to obtain service under this warranty, Customer must notify Tektronix of the defect before the expiration of the warranty period and make suitable arrangements for the performance of service. Customer shall be responsible for packaging and shipping the defective product to the service center designated by Tektronix, with shipping charges prepaid. Tektronix shall pay for the return of the product to Customer if the shipment is to a location within the country in which the Tektronix service center is located. Customer shall be responsible for paying all shipping charges, duties, taxes, and any other charges for products returned to any other locations.

This warranty shall not apply to any defect, failure or damage caused by improper use or improper or inadequate maintenance and care. Tektronix shall not be obligated to furnish service under this warranty a) to repair damage resulting from attempts by personnel other than Tektronix representatives to install, repair or service the product; b) to repair damage resulting from improper use or connection to incompatible equipment; or c) to service a product that has been modified or integrated with other products when the effect of such modification or integration increases the time or difficulty of servicing the product.

**THIS WARRANTY IS GIVEN BY TEKTRONIX WITH RESPECT TO THIS PRODUCT IN LIEU OF ANY OTHER WARRANTIES, EXPRESSED OR IMPLIED. TEKTRONIX AND ITS VENDORS DISCLAIM ANY IMPLIED WARRANTIES OF MERCHANTABILITY OR FITNESS FOR A PARTICULAR PURPOSE. TEKTRONIX' RESPONSIBILITY TO REPAIR OR REPLACE DEFECTIVE PRODUCTS IS THE SOLE AND EXCLUSIVE REMEDY PROVIDED TO THE CUSTOMER FOR BREACH OF THIS WARRANTY. TEKTRONIX AND ITS VENDORS WILL NOT BE LIABLE FOR ANY INDIRECT, SPECIAL, INCIDENTAL, OR CONSEQUENTIAL DAMAGES IRRESPECTIVE OF WHETHER TEKTRONIX OR THE VENDOR HAS ADVANCE NOTICE OF THE POSSIBILITY OF SUCH DAMAGES.**

# Table of Contents

<b>List of Figures</b> .....	<b>iii</b>
<b>List of Tables</b> .....	<b>viii</b>
General Safety Summary .....	ix
Service Safety Summary .....	xi
<b>General Information</b> .....	<b>xiii</b>
Installation and Repacking .....	xiv
<b>Operating Instructions</b> .....	<b>1-1</b>
Overview .....	1-1
Preparing to Use the 1502B .....	1-4
Display .....	1-5
Front-Panel Controls .....	1-5
Menu Selections .....	1-7
Test Preparations .....	1-10
Cable Test Procedure .....	1-12
Additional Features (Menu Selected) .....	1-25
<b>Operator Performance Checks</b> .....	<b>2-1</b>
<b>Specifications</b> .....	<b>3-1</b>
Electrical Characteristics .....	3-1
Environmental Characteristics .....	3-3
Physical Characteristics .....	3-4
<b>Options and Accessories</b> .....	<b>4-1</b>
Option 03: Battery Pack .....	4-1
Option 04: YT-1 Chart Recorder .....	4-1
Option 05: Metric Default .....	4-1
Option 07: YT-1S Chart Recorder .....	4-2
Power Cord Options .....	4-2
Accessories .....	4-2
<b>Circuit Descriptions</b> .....	<b>5-1</b>
Introduction .....	5-1
Power Supply .....	5-4
Processor System .....	5-7
Option Port Interface .....	5-10
Video Processor .....	5-13
Timebase .....	5-15
Elapsed Time Indicator (SN <B020511 only) .....	5-22
Driver/Sampler .....	5-23
Front Panel .....	5-25
Display Module .....	5-29

<b>Calibration</b> .....	<b>6-1</b>
Introduction .....	6-1
 <b>Calibration Performance Check</b> .....	 <b>6-1</b>
Display Module Check .....	6-2
Front Panel Check .....	6-4
Horizontal Scale (Timebase) Check .....	6-7
Zero Offset Check .....	6-10
Vertical Position (Offset) Check .....	6-12
Noise Check .....	6-13
Sampling Efficiency Check .....	6-15
Offset/Gain Check .....	6-16
RAM/ROM Check .....	6-16
Aberrations Check .....	6-17
Risetime Check .....	6-19
Jitter Check .....	6-21
Option 03: Battery Pack Check .....	6-23
Option 04/07: YT-1/YT-1S Chart Recorder Check .....	6-23
Option 05: Metric Default Check .....	6-23
 <b>Adjustment Procedures</b> .....	 <b>6-24</b>
Visual Inspection .....	6-25
Power Supply Checks and Adjustments .....	6-25
Main Board 12 VDC Check and Adjust .....	6-29
Impedance Check .....	6-34
LCD Check and Adjustment .....	6-35
Zero Offset Adjust .....	6-38
After Adjustments are Completed .....	6-40
 <b>Maintenance</b> .....	 <b>7-1</b>
Introduction .....	7-1
Preventive Maintenance .....	7-1
Part Removal and Replacement .....	7-2
Troubleshooting .....	7-14
Control Panel Installation .....	7-20
Top and Bottom EMI Shield Installation .....	7-21
Installing the Case Cover Over the Chassis .....	7-22
 <b>Replaceable Electrical Parts</b> .....	 <b>8-1</b>
 <b>Diagrams</b> .....	 <b>9-1</b>
 <b>Replaceable Mechanical Parts</b> .....	 <b>10-1</b>

# List of Figures

Figure 1-1:	Rear Panel Voltage Selector, Fuse, AC Receptacle . . . . .	1-1
Figure 1-2:	Display Showing Low Battery Indication . . . . .	1-3
Figure 1-3:	1502B Front-Panel Controls . . . . .	1-4
Figure 1-4:	Display and Indicators . . . . .	1-5
Figure 1-5:	V <sub>p</sub> Set at .30, Cursor Beyond Reflected Pulse (Set Too Low) . . . . .	1-11
Figure 1-6:	V <sub>p</sub> Set at .99, Cursor Less Than Reflected Pulse (Set Too High) . . . . .	1-11
Figure 1-7:	V <sub>p</sub> Set at .66, Cursor at Reflected Pulse (Set Correctly)	1-12
Figure 1-8:	20-ft Cable at 5 ft/div . . . . .	1-12
Figure 1-9:	Short in the Cable . . . . .	1-13
Figure 1-10:	Open in the Cable . . . . .	1-13
Figure 1-11:	455-ft Cable . . . . .	1-14
Figure 1-12:	455-ft Cable . . . . .	1-14
Figure 1-13:	Reflection Adjusted to One Division in Height . . . . .	1-15
Figure 1-14:	Return Loss . . . . .	1-16
Figure 1-15:	Ohms-at-Cursor . . . . .	1-17
Figure 1-16:	Display with VIEW INPUT Turned Off . . . . .	1-18
Figure 1-17:	Display of a Stored Waveform . . . . .	1-18
Figure 1-18:	Display of a Stored Waveform . . . . .	1-18
Figure 1-19:	Waveform Moved to Top Half of Display . . . . .	1-19
Figure 1-20:	Current Waveform Centered, Stored Waveform Above .	1-20
Figure 1-21:	Current Waveform Center, Stored Waveform Above, Difference Below . . . . .	1-20
Figure 1-22:	Waveform of Three-Foot Lead-in Cable . . . . .	1-21
Figure 1-23:	Cursor Moved to End of Three-Foot Lead-in Cable . . . .	1-22
Figure 1-24:	Cursor Moved to End of Three-Foot Lead-in Cable . . . .	1-22
Figure 1-25:	Cursor Moved to 0.00 ft . . . . .	1-23
Figure 1-26:	Incident Pulse at Three Divisions . . . . .	1-23
Figure 1-27:	Waveform of Short 75Ω Cable . . . . .	1-24
Figure 1-28:	Waveform Centered and Adjusted Vertically . . . . .	1-24
Figure 1-29:	Cursor Moved to Desired Position . . . . .	1-25
Figure 1-30:	Waveform Viewed in Normal Operation . . . . .	1-26
Figure 1-31:	Waveform Showing Intermittent Changes . . . . .	1-26
Figure 1-32:	Waveform Display with No Outgoing Pulses . . . . .	1-27
Figure 1-33:	A Captured Single Sweep . . . . .	1-28

Figure 2-1:	Start-up Measurement Display .....	2-2
Figure 2-2:	Measurement Display with 3-foot Cable .....	2-2
Figure 2-3:	Cursor at End of 3-foot Cable .....	2-3
Figure 2-4:	Flat-Line Display Out to 50,000+ Feet .....	2-3
Figure 2-5:	Flat-Line Display at -2.000 ft .....	2-4
Figure 2-6:	Waveform Off the Top of the Display .....	2-4
Figure 2-7:	Waveform at the Bottom of the Display .....	2-5
Figure 2-8:	Waveform with Gain at 5.00 mp/div .....	2-5
Figure 2-9:	Top of Pulse on Center Graticule .....	2-7
Figure 2-10:	Rising Edge of Incident Pulse in Left-most Major Division .....	2-7
Figure 2-11:	Waveform Centered, Cursor at 0.000 ft .....	2-8
Figure 2-12:	Pulse Centered on Display .....	2-8
Figure 2-13:	Cursor on Lowest Major Graticule that Rising Edge crosses .....	2-9
Figure 2-14:	Cursor on Highest Major Graticule that Rising Edge crosses .....	2-9
Figure 2-15:	Jitter Apparent on Leading Edge of Incident Pulse ....	2-10
Figure 2-16:	Jitter Captured Using Max Hold .....	2-10
Figure 5-1:	System Block Diagram .....	5-2
Figure 5-2:	Waveform Accumulation Diagram .....	5-3
Figure 5-3:	Power Supply Block Diagram .....	5-4
Figure 5-4:	Processor Block Diagram .....	5-8
Figure 5-5:	Option Port Interface Block Diagram .....	5-11
Figure 5-6:	Video Processor Block Diagram .....	5-13
Figure 5-7:	Video Processor Output .....	5-15
Figure 5-8:	Timebase Block Diagram .....	5-16
Figure 5-9:	Timebase Control .....	5-17
Figure 5-10:	Combined Effects of Time Delay .....	5-18
Figure 5-11:	Calibration of Delay Zero and 50-ns Analog Delay ....	5-19
Figure 5-12:	Driver/Sampler Block Diagram .....	5-24
Figure 5-13:	Front Panel Block Diagram .....	5-26
Figure 5-14:	Display Module Block Diagram .....	5-29
Figure 5-15:	SBE Cell .....	5-31
Figure 5-16:	Row Driver Block Diagram .....	5-31
Figure 5-17:	Column Driver Block Diagram .....	5-32
Figure 5-18:	Row Timing Diagram .....	5-34
Figure 5-19:	Column Timing Diagram .....	5-35



Figure 5–20:	Shift Register . . . . .	5–37
Figure 5–21:	CPU and Display Memory Interface . . . . .	5–39
Figure 6–1:	Typical Start-Up Display . . . . .	6–2
Figure 6–2:	Waveform on the Display . . . . .	6–2
Figure 6–3:	Setup Menu . . . . .	6–3
Figure 6–4:	Main Menu . . . . .	6–4
Figure 6–5:	Diagnostics Menu . . . . .	6–5
Figure 6–6:	Front Panel Diagnostic Display . . . . .	6–5
Figure 6–7:	Front Panel Diagnostic Display . . . . .	6–6
Figure 6–8:	Front Panel Diagnostic Display . . . . .	6–6
Figure 6–9:	Front Panel Diagnostic Display . . . . .	6–7
Figure 6–10:	Waveform on the Display with No Cable Attached . . . . .	6–8
Figure 6–11:	Display with 3-ft Cable and Stored Waveform . . . . .	6–8
Figure 6–12:	Cursor on Rising Edge of Pulse . . . . .	6–9
Figure 6–13:	Cursor at 0.000 ft . . . . .	6–9
Figure 6–14:	Cursor on Rising Edge of Pulse . . . . .	6–9
Figure 6–15:	Flatline Display to >2,000 ft . . . . .	6–10
Figure 6–16:	Incident Pulse at –2.000 ft . . . . .	6–11
Figure 6–17:	Incident Pulse at –2.000 ft with 3-ft Cable Connected . . . . .	6–11
Figure 6–18:	Incident Pulse at –2.000 ft with Max Hold . . . . .	6–11
Figure 6–19:	Waveform at Top of the Display . . . . .	6–12
Figure 6–20:	Waveform at Bottom of the Display . . . . .	6–13
Figure 6–21:	Waveform at Centered . . . . .	6–13
Figure 6–22:	Cursor Moved to 100.000 ft . . . . .	6–14
Figure 6–23:	Noise with Gain at 5.00 m $\rho$ . . . . .	6–14
Figure 6–24:	Noise Diagnostic Display . . . . .	6–15
Figure 6–25:	Service Diagnostic Menu . . . . .	6–15
Figure 6–26:	Service Diagnostic Menu . . . . .	6–16
Figure 6–27:	Service Diagnostic Menu . . . . .	6–17
Figure 6–28:	Waveform with Cursor at –2.000 ft . . . . .	6–18
Figure 6–29:	Waveform at 50 m $\rho$ /div . . . . .	6–18
Figure 6–30:	Waveform at 5 m $\rho$ /div . . . . .	6–19
Figure 6–31:	Incident Pulse at Center of Display . . . . .	6–19
Figure 6–32:	Incident Pulse Centered, Vertical Increased . . . . .	6–20
Figure 6–33:	Cursor on Rising Edge at First Horizontal Graticule . . . . .	6–20
Figure 6–34:	Cursor on Rising Edge at Last Horizontal Graticule . . . . .	6–21
Figure 6–35:	Rising Edge at Center of Display . . . . .	6–22
Figure 6–36:	Rising Edge with Scale at 1.0 m $\rho$ /div . . . . .	6–22

Figure 6-37:	Rising Edge with Max Hold on .....	6-22
Figure 6-38:	Head Alignment Chart Print .....	6-23
Figure 6-39:	Circuit Board Locations in the Instrument .....	6-24
Figure 6-40:	Power Supply Board .....	6-26
Figure 6-41:	Power Supply Test Points TP1020 and TP1010 .....	6-26
Figure 6-42:	Power Supply Test Point TP2030 .....	6-27
Figure 6-43:	Connector Plug P5040 and Pins J5040 on Bottom of Main Board .....	6-28
Figure 6-44:	Power Supply Test Point TP1020 .....	6-28
Figure 6-45:	Power Supply Test Point TP2030 .....	6-29
Figure 6-46:	Location of Main Board in Instrument .....	6-29
Figure 6-47:	Main Board Probe Points .....	6-30
Figure 6-48:	Waveform on Display .....	6-30
Figure 6-49:	Battery Pack Port Jacks on Frame .....	6-31
Figure 6-50:	CR2012 on Power Supply Board .....	6-31
Figure 6-51:	Display Showing Power is Battery .....	6-32
Figure 6-52:	Display Showing Battery Voltage is Low .....	6-32
Figure 6-53:	R2012 on Power Supply Board .....	6-33
Figure 6-54:	Driver/Sampler Board Location .....	6-34
Figure 6-55:	TP1030 on Driver/Sampler Board .....	6-34
Figure 6-56:	R1018 on Front Panel Board .....	6-35
Figure 6-57:	LCD Pattern with Contrast Too Light .....	6-35
Figure 6-58:	LCD Pattern with Contrast Too Dark .....	6-36
Figure 6-59:	LCD Pattern Adjusted for Sharpness .....	6-36
Figure 6-60:	Waveform with Contrast Too Light .....	6-37
Figure 6-61:	Waveform with Contrast Adjusted Correctly .....	6-37
Figure 6-62:	Driver/Sampler Board Location .....	6-38
Figure 6-63:	Incident Pulse at -2.000 ft .....	6-39
Figure 6-64:	R1042 on Driver/Sampler Board .....	6-39
Figure 7-1:	Location of Voltage Selector and Fuse Holder on Rear Panel .....	7-2
Figure 7-2:	Desiccant Cartridge on Rear of Chassis .....	7-4
Figure 7-3:	Power Supply Module and P/O Rear Panel .....	7-5
Figure 7-4:	DC (Battery) Banana Plugs .....	7-8
Figure 7-5:	Main Board .....	7-9
Figure 7-6:	Elapsed Time Indicator on Main Board .....	7-9
Figure 7-7:	EPROM on Main Board .....	7-10
Figure 7-8:	Lithium Battery on Main Board .....	7-10

Figure 7-9:	Display Module/Front Panel Board Screw Locations . . .	7-12
Figure 7-10:	Display Module/Front Panel Board Showing Hex Nuts .	7-13
Figure 7-11:	Location of Default Jumper on Front Panel Board . . . . .	7-13
Figure 7-12:	Default Jumper Positions . . . . .	7-14
Figure 7-13:	Main Board TP1041 and TP3040 . . . . .	7-15
Figure 7-14:	Main Board TP3041 and TP4040 . . . . .	7-15
Figure 7-15:	Main Board TP6010 and TP7010 . . . . .	7-16
Figure 7-16:	Main Board TP9011 and TP9041 . . . . .	7-16
Figure 7-17:	Front Panel CABLE Connector . . . . .	7-16
Figure 7-18:	Installing Top and Bottom EMI Shields . . . . .	7-21
Figure 7-19:	Installing the Case Cover Over the Chassis . . . . .	7-22
Figure 9-1:	Special Schematic Symbols . . . . .	9-3
Figure 9-2:	Component Locator – Main Board . . . . .	9-15
	Schematics – Main Board . . . . .	9-16-24
Figure 9-3:	Component Locator – Front Panel Board . . . . .	9-25
	Schematics – Front Panel . . . . .	9-26-27
Figure 9-4:	Component Locator – Power Supply Board . . . . .	9-28
	Schematics – Power Supply . . . . .	9-29
Figure 9-5:	Component Locator – Driver/Sampler Board . . . . .	9-30
	Schematics – Driver/Sampler . . . . .	9-31
	Schematics – Power Fuse Jack . . . . .	9-32
Figure 10-1:	Cabinet . . . . .	10-17
Figure 10-2:	Frame, Assemblies and Front Panel Controls . . . . .	10-18
Figure 10-3:	Power Supply . . . . .	10-19
Figure 10-4:	Battery Pack . . . . .	10-20

## List of Tables

Shipping Carton Test Strength . . . . .	xv
Fuse / Voltage Ratings . . . . .	1–2
V <sub>p</sub> of Various Dielectric Types . . . . .	1–10
Operator Performance Checks – Equipment Required . . . . .	2–1
Specifications: Electrical Characteristics . . . . .	3–1
Specifications: Environmental Characteristics . . . . .	3–3
Specifications: Physical Characteristics . . . . .	3–4
Option Port Wiring Configuration . . . . .	5–12
Row Driver Latch Bits . . . . .	5–33
Column Driver Latch Bits . . . . .	5–36
Controller Periods . . . . .	5–37
Calibration Performance Check – Equipment Required . . . . .	6–1
Adjustment Procedures – Equipment Required . . . . .	6–24
Main Board Voltages, Tolerances, Test Point Locations . . . . .	6–27
Maintenance – Equipment Required . . . . .	7–1
Power Cord Conductor Color Code . . . . .	7–7
Sealing Materials . . . . .	7–20

# General Safety Summary

The safety information in this summary is for operating personnel. Specific warnings and cautions will be found throughout the manual where they apply, but might not appear in this summary. For specific service safety information, see page xiii.

## Safety Terms and Symbols

### Terms in this manual:



---

**WARNING.** Warning statements identify conditions or practices that could result in injury or loss of life.

---



---

**CAUTION.** Caution statements identify conditions or practices that could result in damage to this product or other property.

---

### Terms on the Product:

**DANGER** indicates an injury hazard immediately accessible as you read the marking.

**WARNING** indicates an injury hazard not immediately accessible as you read the marking.

**CAUTION** indicates a hazard to property including the product.

### Symbols in the Manual:



WARNING or CAUTION  
Information

### Symbols on the Product:



**DANGER**  
High Voltage



Protective Ground  
(Earth) Terminal



**ATTENTION**  
Refer to  
Manual



Double  
Insulated

### Power Source

This product is intended to operate from a power source that will not apply more than 250 volts RMS between the supply conductors or between the supply conductor and

ground. A protective ground connection, by way of the grounding conductor in the power cord, is essential for safe operation.

**Grounding the Product**

This product is grounded through the grounding conductor of the power cord. To avoid electrical shock, plug the power cord into a properly wired receptacle before connecting to the product input or output terminals. A protective ground connection by way of the grounding conductor in the power cord is essential for safe operation.

**Danger Arising from Loss of Ground**

Upon loss of the protective-ground connection, all accessible conductive parts (including knobs and controls that appear to be insulating) can render an electric shock.

**Use the Proper Power Cord**

Use only the power cord and connector specified for this product. Do not use this instrument without a rated AC line cord.

The standard power cord (161–0288–00) is rated for outdoor use. *All other optional power cords are rated for indoor use only.*

Use only a power cord that is in good condition.

Refer cord and connector changes to qualified service personnel.

**Use the Proper Fuse**

To avoid fire hazard, use only a fuse of the correct type.

Refer fuse replacement to qualified service personnel.

**Do Not Operate in Explosive Atmosphere**

To avoid explosion, do not operate this product in an explosive atmosphere unless it has been specifically certified for such operation.

**Do Not Remove Covers or Panels**

To avoid personal injury, do not remove the product covers or panels. Do not operate the product without the covers and panels properly installed.

# Service Safety Summary

Only qualified personnel should perform service procedures. Read this *Service Safety Summary* and the *General Safety Summary* before performing any service procedures.

## **Do Not Service Alone**

Do not perform internal service or adjustments of this product unless another person capable of rendering first aid and resuscitation is present.

## **Disconnect Power**

To avoid electric shock, disconnect the main power by means of the power cord or the power switch.

## **Use Care When Servicing With Power On**

Dangerous voltages or currents may exist in this product. Disconnect power, remove battery, and disconnect test leads before removing protective panels, soldering, or replacing components.

To avoid electric shock, do not touch exposed connections.

## **Disposal of Batteries**

This instrument contains a NiCad battery pack. Some states and/or local jurisdictions might require special disposition/recycling of this type of material in accordance with Hazardous Waste guidelines. Check your local and state regulations prior to disposing of an old battery pack.

Tektronix Factory Service will accept 1502B batteries for recycling. If you choose to return the battery to us for recycling, the battery cases must be intact, the battery should be packed with the battery terminals insulated against possible short-circuits, and should be packed in shock-absorbant material.

Send batteries, post-paid, to:

Tektronix, Inc.  
Attn: Bend Service  
100 S.E. Wilson Ave.  
Bend, OR 97702

For additional information, phone: 1-800-835-9433.





# General Information

**Product Description** The Tektronix 1502B Metallic-cable Time-Domain Reflectometer (MTDR) is a cable test instrument that uses radar principles to determine the electrical characteristics of metallic cables.

The 1502B generates a half-sine wave signal, applies it to the cable under test, and detects and processes the reflected voltage waveform. These reflections are displayed in the 1502B liquid crystal display (LCD), where distance measurements may be made using a cursor technique. Impedance information may be obtained through interpreting waveform amplitude.

The waveform may be temporarily stored within the 1502B and recalled or may be printed using the optional dot matrix strip chart recorder, which installs into the front-panel Option Port.

**Battery Pack** The 1502B may be operated from an AC power source or a battery pack consisting of nine NiCad C-cells, which supply a minimum of five hours operating time (see the *Specifications* chapter for specifics).

**Options** Options available for the 1502B are explained in the *Options and Accessories* chapter of this manual.

**Standards, Documents, and References Used** Terminology used in this manual is in accordance with industry practice. Abbreviations are in accordance with ANSI Y1.1–1972, with exceptions and additions explained in parentheses in the text. Graphic symbology is based on ANSI Y32.2–1975. Logic symbology is based on ANSI Y32.14–1973 and manufacturer’s data books or sheets. A copy of ANSI standards may be obtained from the Institute of Electrical and Electronic Engineers, 345 47th Street, New York, NY 10017.

**Changes and History Information** Changes that involve manual corrections and/or additional data will be incorporated into the text and that page will show a revision date on the inside bottom edge. History information is included in any diagrams in gray.

## Installation and Repacking

### Unpacking and Initial Inspection

Before unpacking the 1502B from its shipping container or carton, inspect for signs of external damage. If the carton is damaged, notify the carrier. The shipping carton contains the basic instrument and its standard accessories. Refer to the replaceable parts list in the Service Manual for a complete listing.

If the contents of the shipping container are incomplete, if there is mechanical damage or defect, or if the instrument does not meet operational check requirements, contact your local Tektronix Field Office or representative. If the shipping container is damaged, notify the carrier as well as Tektronix.

The instrument was inspected both mechanically and electrically before shipment. It should be free of mechanical damage and meet or exceed all electrical specifications. Procedures to check operational performance are in the Performance Checks appendix. These checks should satisfy the requirements for most receiving or incoming inspections.

### Power Source and Power Requirements

The 1502B is intended to be operated from a power source that will not apply more than 250 volts RMS between the supply conductors or between either supply conductor and ground. A protective ground connection, by way of the grounding conductor in the power cord, is essential for safe operation.

The AC power connector is a three-way polarized plug with the ground (earth) lead connected directly to the instrument frame to provide electrical shock protection. If the unit is connected to any other power source, the unit frame must be connected to earth ground.

Power and voltage requirements are printed on the back panel. The 1502B can be operated from either 115 VAC or 230 VAC nominal line voltage at 45 Hz to 440 Hz, or a 12 VDC supply, or a battery pack.

Further information on the 1502B power requirements can be found in the Safety Summary in this section and in the Operating Instructions chapter.

### Repacking for Shipment

When the 1502B is to be shipped to a Tektronix Service Center for service or repair, attach a tag showing the name and address of the owner, name of the individual at your firm who may be contacted, the complete serial number of the instrument, and a description of the service required. If the original packaging is unfit for use or is not available, repackage the instrument as follows:

1. Obtain a carton of corrugated cardboard having inside dimensions that are at least six inches greater than the equipment dimensions to allow for cushioning. The test strength of the shipping carton should be 275 pounds (102.5 kg). Refer to the following table for test strength requirements:

**SHIPPING CARTON TEST STRENGTH**

Gross Weight (lb)	Carton Test Strength (lb)
0 – 10	200
11 – 30	275
31 – 120	375
121 – 140	500
141 – 160	600



**CAUTION.** *The Option 03 battery pack should be removed from the instrument before shipping. If it is necessary to ship the battery, it should be wrapped and secured separately before being packed with the instrument.*

2. Install the front cover on the 1502B and surround the instrument with polyethylene sheeting to protect the finish.
3. Cushion the instrument on all sides with packing material or urethane foam between the carton and the sides of the instrument.
4. Seal with shipping tape or an industrial stapler.

If you have any questions, contact your local Tektronix Field Office or representative.





# Operating Instructions

## Overview

**Handling** The 1502B front panel is protected by a watertight cover, in which the standard accessories are stored. Secure the front cover by snapping the side latches outward. If the instrument is inadvertently left on, installing the front cover will turn off the POWER switch automatically.

The carrying handle rotates 325° and serves as a stand when positioned beneath the instrument.

Inside the case, at the back of the instrument, is a moisture-absorbing canister containing silica gel. In extremely wet environments, it might be necessary to periodically remove and dry the canister. This procedure is explained in the *1502B Service Manual*.

The 1502B can be stored in temperatures ranging from -62° C to +85° C. However, if the temperature is below -40° C or above +55° C, the battery pack should be removed and stored separately. Battery storage temperature should be -40° C to +55° C.

**Powering the 1502B** In the field, the 1502B can be powered using the optional internal battery. For AC operation, check the rear panel for proper voltage setting. The voltage selector can be seen through the window of the protective cap. If the setting differs from the voltage available, it can be easily changed. Simply remove the protective cap and select the proper voltage using a screwdriver.

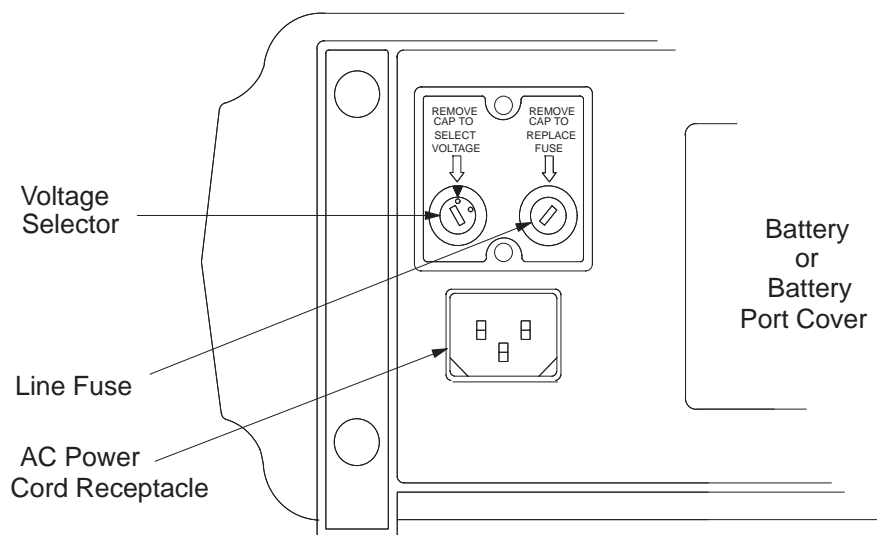


Figure 1-1: Rear Panel Voltage Selector, Fuse, AC Receptacle

The 1502B is intended to be operated from a power source that will not apply more than 250 V RMS between the supply conductors or between either supply conductor and ground. A protective ground connection by way of the grounding conductor in the power cord is essential for safe operation.

The AC power connector is a three-way polarized plug with the ground (earth) lead connected to the instrument frame to provide electrical shock protection. If the unit is connected to any other power source, the unit frame must be connected to an earth ground. See Safety and Installation section.




---

**CAUTION.** *If you change the voltage selector, you must change the line fuse to the appropriate value as listed near the fuse holder and in the table below.*

---

FUSE RATING	VOLTAGE RATING
250 V	<i>NOMINAL RANGE</i>
0.3 A T	115 VAC (90 – 132 VAC)
0.15 A T	230 VAC (180 – 250 VAC)

### Care of the Optional Battery Pack




---

**CAUTION.** *Read these instructions concerning the care of the optional battery pack. They contain instructions that reflect on your safety and the performance of the instrument.*

---

The 1502B can be powered by an optional rechargeable Nickel-cadmium battery pack that is accessible from the back of the instrument without removing the case. When AC power is applied, the battery pack is charged at a continuous rate of approximately 150 mA.

The battery pack will operate the 1502B for a minimum of five continuous hours (including making 20 chart recordings) if the LCD backlight is turned off.

### Battery Charging

The battery pack will charge fully in 16 hours when the instrument is connected, via the power cord, to an AC power source with the instrument turned off. The instrument may be turned on and operated while the batteries are charging, but this will increase the charging time. For longest battery life, a full charge is preferred over a partial charge.

For maximum capacity, the batteries should be charged within a temperature range of +20° C to +25° C. However, the batteries can be charged within a temperature range of 0° C to +40° C and operated in temperatures ranging from –15° C to +55° C.



**CAUTION.** Do not charge battery pack below 0° C or above +45° C. Do not discharge battery pack below -20° C or above +65° C. If removing the battery pack during or after exposure to these extreme conditions, turn the instrument off and remove the AC power cord. Move the instrument to an ignition-free area before removing the battery pack.

If the instrument is operated beyond the previously stated limits, turn off the instrument and either disconnect the AC power or remove the battery pack.

If the instrument is shipped, the battery pack should be removed. If the instrument is stored with the battery pack installed, the battery pack should be charged every 30 days. A fully charged battery pack will lose about 50% of its capacity in three to four months if stored between +20° C and +25° C.

The batteries can be damaged by reverse charging. This can occur when an individual cell becomes discharged before the others and current from the other cells flows in a reverse direction through the discharged cell. Reverse charging might develop because of individual cell aging, partial charging of the battery pack, or if a single cell has been replaced rather than the entire pack.

### Low Battery

If the battery is low, it will be indicated on the LCD (bat/low). If this is the case, protective circuitry will shut down the 1502B within minutes. Switch to AC power, change the battery, or work very fast. If the instrument is equipped with a chart recorder, using the recorder will further reduce the battery level, or the added load might shut down the instrument.

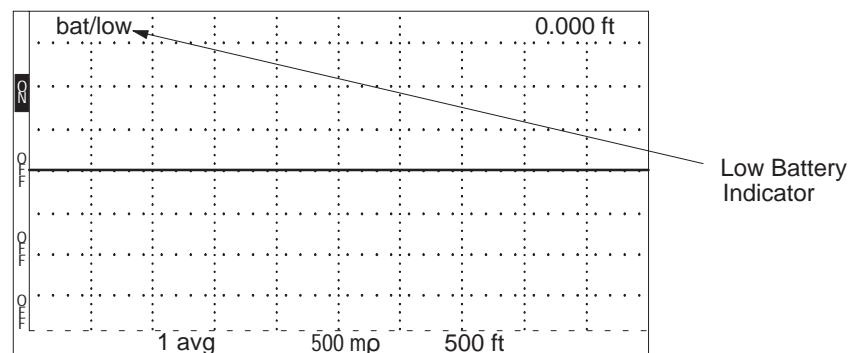


Figure 1-2: Display Showing Low Battery Indication

Protection circuits in the charger prevent deep discharge of the batteries during instrument operation. The circuits automatically shut down the instrument whenever battery voltage falls below approximately 10 V. If shutdown occurs, the batteries should be fully recharged before further use.



**NOTE.** Turn the **POWER** switch off after instrument shutdown to prevent continued discharge of the batteries.

Under low AC line voltage conditions, the AC fuse ratings might be exceeded if the battery is fully discharged and a chart recording is being made. Allow the battery to charge for about one hour before attempting to make a chart recording, or use AC only.

**Low Temperature Operation**

When operating the 1502B in an environment below +10° C, a heater will activate. The element is built into the LCD module and will heat the display to permit normal operation. Depending on the surrounding temperature, it might take up to 15 minutes to completely warm the crystals in the LCD. Once warmed, the display will operate normally.

**Preparing to Use the 1502B**

Check the power requirements, remove the front cover, and you are ready to test cables. The following pages explain the front-panel controls.

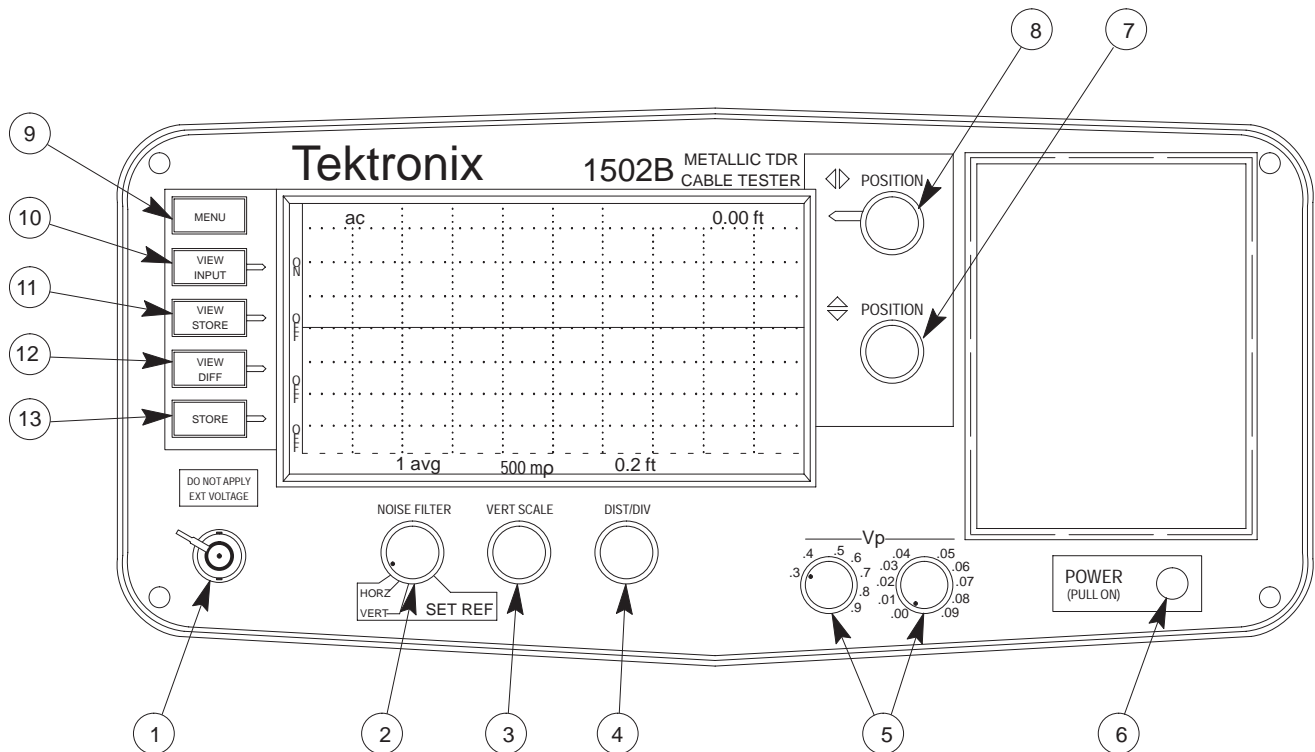


Figure 1-3: 1502B Front-Panel Controls



**CAUTION.** Do not connect live circuits to the **CABLE** connector. Voltages exceeding 5 volts can damage the driver or sampler circuits.

Bleed the test cable of any residual static charge before attaching it to the instrument. To bleed the cable, connect the standard 50Ω terminator and standard female-to-female BNC connector together, then temporarily attach both to the cable. Remove the connectors before attaching the cable to the instrument.

When testing receiving antenna cables, avoid close proximity to transmitters. Voltages may appear on the cable if a nearby transmitter is in use, resulting in damage to the instrument. Before testing, be sure that there are no RF voltages present, or disconnect the cable at both ends.

## Display

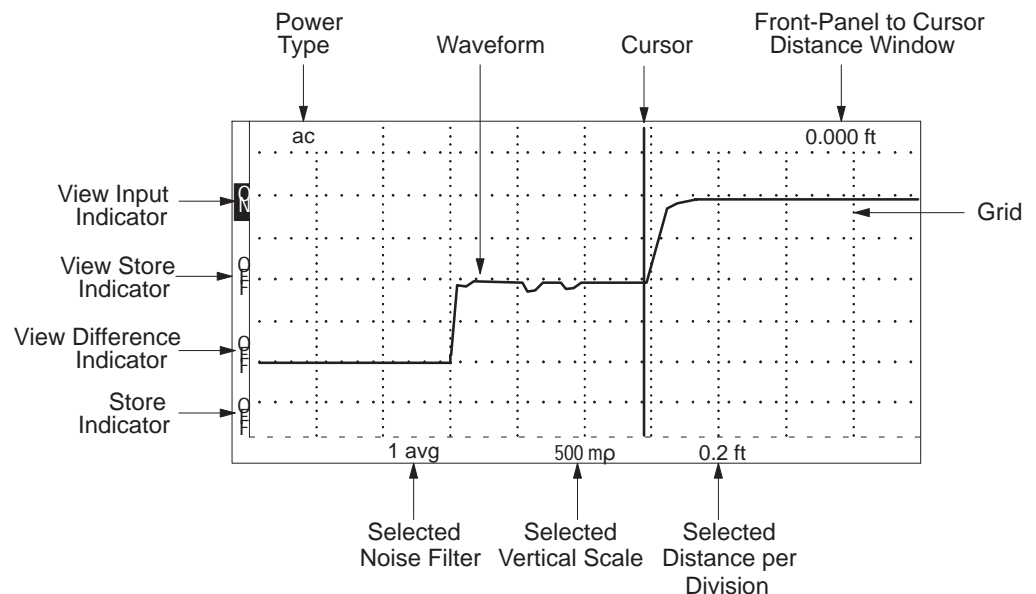
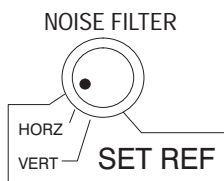


Figure 1-4: Display and Indicators

## Front-Panel Controls

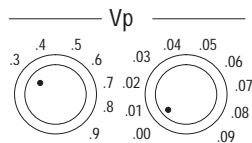


1. **CABLE:** A female BNC connector for attaching a cable to the 1502B for testing.
2. **NOISE FILTER:** If the displayed waveform is noisy, the apparent noise can be reduced by using noise averaging. Averaging settings are between 1 and 128. The time for averaging is directly proportional to the averaging setting chosen. A setting of 128 might take the instrument up to 35 seconds to acquire and display a waveform. The first two positions on the NOISE FILTER control are used for setting the vertical and horizontal reference points. The selected value or function is displayed above the control on the LCD.

VERT SCALE



DIST/DIV



POSITION



POSITION



3. **VERT SCALE:** This control sets the vertical sensitivity, displayed in m $\rho$  per division, or the vertical gain, displayed in dB. Although the instrument defaults to millirho, you may choose the preferred mode from the *Setup Menu*. The selected value is displayed above the control on the LCD.
4. **DIST/DIV:** Determines the number of feet (or meters) per division across the display. The minimum setting is 0.1 ft/div (0.025 meters) and the maximum setting is 200 ft/div (50 meters). The selected value is displayed above the control on the LCD.

A standard instrument defaults to ft/div. A metric instrument (Option 05) defaults to m/div, but either may be changed temporarily from the menu. The default can be changed by changing an internal jumper (see *1502B Service Manual* and always refer such changes to qualified service personnel).

5. **Vp:** The two Velocity of Propagation controls are set according to the propagation velocity factor of the cable being tested. For example, solid polyethylene commonly has a Vp of 0.66. Solid polytetrafluorethylene (Teflon<sup>®</sup>) is approximately 0.70. Air is 0.99. The controls are decoded: the left control is the first digit and the right control is the second digit. For example, with a Vp of 0.30, the first knob would be set to .3 and the second knob to .00.
6. **POWER:** Pull for power ON and push in for power OFF. When the front cover is installed, this switch is automatically pushed OFF.
7. **POSITION:** This is a continuously rotating control that positions the displayed waveform vertically, up or down the LCD.
8. **POSITION:** This is a continuously rotating control that moves a vertical cursor completely across the LCD graticule. In addition, the waveform is also moved when the cursor reaches the extreme right or left side of the display. A readout (seven digits maximum) is displayed in the upper right corner of the LCD, showing the distance from the front panel BNC to the current cursor location.
9. **MENU:** This pushbutton provides access to the menus and selects items chosen from the menus.
10. **VIEW INPUT:** When pushed momentarily, this button toggles the display of the waveform acquired at the CABLE connector. This function is useful to stop displaying a current waveform to avoid confusion when looking at a stored waveform. This function defaults to ON when the instrument is powered up.
11. **VIEW STORE:** When pushed momentarily, this button toggles the display of the stored waveform.
12. **VIEW DIFF:** When pushed momentarily, this button toggles the display of the current waveform minus the stored waveform and shows the difference between them.



- 13. STORE:** When pushed momentarily, the waveform currently displayed will be stored in the instrument memory. If a waveform is already stored, pushing this button will erase it. The settings of the stored waveform are available from the first level menu under *View Stored Waveform Settings*.

## Menu Selections

There are several layers of menu, as explained below.

### Main Menu

The Main Menu is entered by pushing the MENU button on the front panel.

1. **Return to Normal Operations** puts the instrument into normal operation mode.
2. **Help with Instrument Controls** explains the operation of each control. When a control or switch is adjusted or pushed, a brief explanation appears on the LCD.
3. **Cable Information** has these choices:
  - a. **Help with Cables** gives a brief explanation of cable parameters.
  - b. **Velocity of Propagation Values** displays a table of common dielectrics and their  $V_p$  values. These are nominal values. The manufacturer's listed specifications should be used whenever possible.
  - c. **Impedance Values** displays impedances of common cables. In some cases, these values have been rounded off. Manufacturer's specifications should be checked for precise values.
  - d. **Finding Unknown  $V_p$  Values** describes a procedure for finding an unknown  $V_p$ .
4. **Setup Menu** controls the manner in which the instrument obtains and displays its test results.
  - a. **Acquisition Control Menu** has these choices:
    - i. **Max Hold Is: On/Off.** Turn Max Hold on by pushing MENU then STORE. In this mode, waveforms are accumulated on the display. Max Hold can be deactivated by pushing STORE or the mode exited by using the Setup Menu.
    - ii. **Pulse Is: On/Off.** Turns the pulse generator off so the 1502B does not send out pulses.
    - iii. **Single Sweep Is: On/Off.** This function is much like a still camera; it will acquire one waveform and hold it.

- b. **Ohms-at-Cursor is: On/Off.** When activated, the impedance at the point of the cursor is displayed beneath the distance window on the display.
  - c. **Vertical Scale Is: dB/mp.** This offers you a choice as to how the vertical gain of the instrument is displayed. You may choose decibels or millirho. When powered down, the instrument will default to millirho when powered back up.
  - d. **Distance/Div Is: ft/m.** Offers you a choice of how the horizontal scale is displayed. You may choose from feet per division or meters per division. When powered up, the instrument will default to feet unless the internal jumper has been moved to the meters position. Instructions on changing this default are contained in the *1502B Service Manual*.
  - e. **Light Is: On/Off.** This control turns the electroluminescent backlight behind the LCD on or off.
5. **Diagnostics Menu** lists an extensive selection of diagnostics to test the operation of the instrument.

---

*NOTE. The Diagnostics Menu is intended for instrument repair and calibration. Proper instrument setup is important for correct diagnostics results. Refer to the 1502B Service Manual for more information on diagnostics.*

---

- a. **Service Diagnostics Menu** has these choices:
  - i. **Sampling Efficiency Diagnostic** displays a continuous efficiency diagnostic of the sampling circuits.
  - ii. **Noise Diagnostic** measures the internal RMS noise levels of the instrument.
  - iii. **Offset/Gain Diagnostic** reports out-of-tolerance steps in the programmable gain stage. This can help a service technician to quickly isolate the cause of waveform distortion problems.
  - iv. **RAM/ROM Diagnostics Menu** performs tests on the RAM (Random Access Memory) and the ROM (Read Only Memory).
  - v. **Timebase Is: Normal - Auto Correction / Diagnostic - No Correction.** When in *Normal - Auto Correction*, the instrument compensates for variations in temperature and voltage. This condition might not be desirable while calibrating the instrument. While in *Diagnostic - No Correction*, the circuits will not correct for these variations.
- b. **Front Panel Diagnostics** aids in testing the front panel.

- c. **LCD Diagnostics Menu** has these choices:
  - i. **LCD Alignment Diagnostic** generates a dot pattern of every other pixel on the LCD. These pixels can be alternated to test the LCD.
  - ii. **Response Time Diagnostic** generates alternate squares of dark and light, reversing their order. This tests the response time of the LCD and can give an indication of the effectiveness of the LCD heater in a cold environment.
  - iii. **LCD Drive Test Diagnostic** generates a moving vertical bar pattern across the LCD.
  - iv. **Contrast Adjust** allows you to adjust the contrast of the LCD. It generates an alternating four-pixel pattern. The nominal contrast is set internally. When in *Contrast Adjust* mode, VERT SCALE is used as the contrast adjustment control. This value ranges from 0 to 255 units and is used by the processor to evaluate and correct circuit variations caused by temperature changes in the environment. When the diagnostic menu is exited, the LCD contrast returns to that set by internal adjust.
- d. **Chart Diagnostics Menu** offers various tests for the optional chart recorder.
  - i. **LCD Chart** allows adjusting the number of dots per segment and the number of prints (strikes) per segment.
  - ii. **Head Alignment Chart** generates a pattern to allow mechanical alignment of the optional chart recorder.
- 6. **View Stored Waveform Settings** displays the instrument settings for the stored waveform.
- 7. **Option Port Menu** contains three items. Two items allow configuration of the option port for communicating with devices other than the optional chart recorder and one item test the option port.
  - a. **Option Port Diagnostic** creates a repeating pattern of signals at the option port to allow service technicians to verify that all signals are present and working correctly.
  - b. **Set Option Port Timing** allows adjustment of the data rate used to communicate with external devices. The timing rate between bytes can be set from about 0.05 to 12.8 milliseconds.
  - c. **Option Port Debugging Is Off/On.** Off is quiet, On is verbose. This chooses how detailed the error message reporting will be when communicating with an external device.

It is possible to connect the instrument to a computer through a parallel interface with a unique software driver. Because different computers vary widely in

processing speed, the instrument must be able to adapt to differing data rates while communicating with those computers. With user-developed software drivers, the ability to obtain detailed error messages during the development can be very useful. For more information, contact your Tektronix Customer Service representatives. They have information describing the option port hardware and software protocol and custom development methods available.

**8. Display Contrast** (Software Version 5.02 and above)

- a. Press the MENU button firmly once. If the display is very light or very dark, you might not be able to see a change in the contrast.
- b. Turn the VERTICAL SCALE knob slowly clockwise to darken the display or counterclockwise to lighten the display. If you turn the knob far enough, the contrast will wrap from the darkest to lightest value.
- c. When the screen is clearly readable, press the MENU button again to return to normal measurement operation. The new contrast value will remain in effect until the instrument is turned off.

## Test Preparations

### The Importance of Vp (Velocity of Propagation)

Vp is the speed of a signal down the cable given as a percentage of the speed of light in free space. It is sometimes expressed as a whole number (e.g., 66) or a percentage (e.g., 66%). On the 1502B, it is the percentage expressed as a decimal number (e.g., 66% = .66). If you do not know the velocity of propagation, you can get a general idea from the following table, or use the *Help with Cables* section of the *Cable Information* menu. You can also find the Vp with the procedure that follows using a cable sample.

---

**NOTE.** *If you do not know the Vp of your cable, it will not prevent you from finding a fault in your cable. However, if the Vp is set wrong, the distance readings will be affected.*

*All Vp settings should be set for the cable under test, not the supplied jumper cable.*

---

### Vp of Various Dielectric Types

Dielectric	Probable Vp
Jelly Filled	.64
Polyethylene (PIC, PE, or SPE)	.66
PTFE (Teflon ®) or TFE	.70
Pulp Insulation	.72
Foam or Cellular PE (FPE)	.78
Semi-solid PE (SSPE)	.84
Air (helical spacers)	.98

## Finding an Unknown $V_p$

1. Obtain a known length of cable of the exact type you wish to test. Attach the cable to the CABLE connector on the front panel.
2. Pull POWER on.
3. Turn the DIST/DIV to an appropriate setting (e.g., if trying to find the  $V_p$  of a three-foot cable, turn the DIST/DIV to 1 ft/div).
4. Turn the  $\langle \triangleright \rangle$  POSITION control until the distance reading is the same as the known length of this cable.
5. Turn the  $V_p$  controls until the cursor is resting on the rising portion of the reflected pulse. The  $V_p$  controls of the instrument are now set to the  $V_p$  of the cable.

The following three illustrations show settings too low, too high, and correct for a sample three-foot cable.

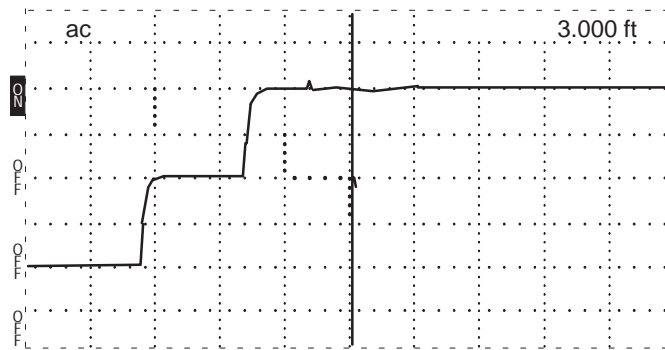


Figure 1-5:  $V_p$  Set at .30, Cursor Beyond Reflected Pulse (Set Too Low)

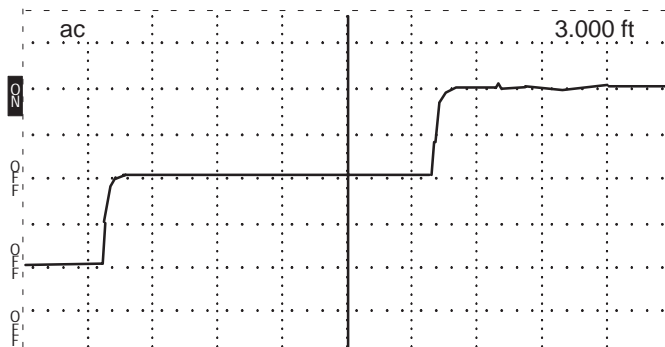


Figure 1-6:  $V_p$  Set at .99, Cursor Less Than Reflected Pulse (Set Too High)



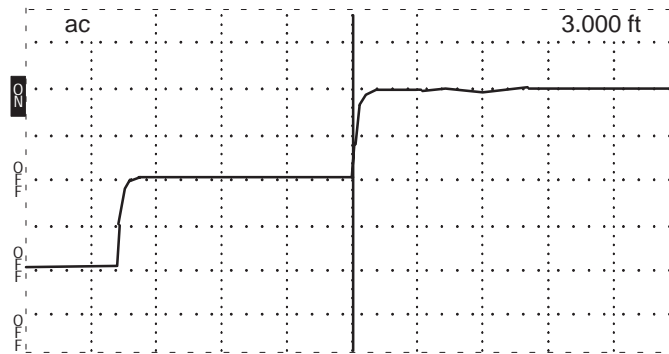


Figure 1-7: Vp Set at .66, Cursor at Reflected Pulse (Set Correctly)

## Cable Test Procedure

### Distance to the Fault

Be sure to read the previous paragraphs on Vp.

1. Set the 1502B controls:

POWER	On
CABLE	Cable to BNC
NOISE FILTER	1 avg
VERT SCALE	500 mV
DIST/DIV	(see below)
Vp	(per cable)

2. If you know approximately how long the cable is, set the DIST/DIV appropriately (e.g., 20-ft cable would occupy four divisions on the LCD if 5 ft/div was used). The entire cable should be displayed.

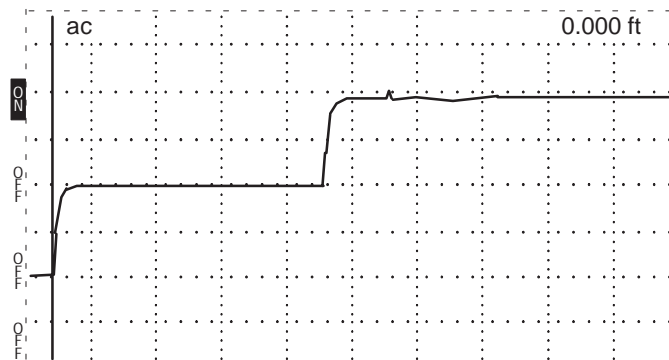


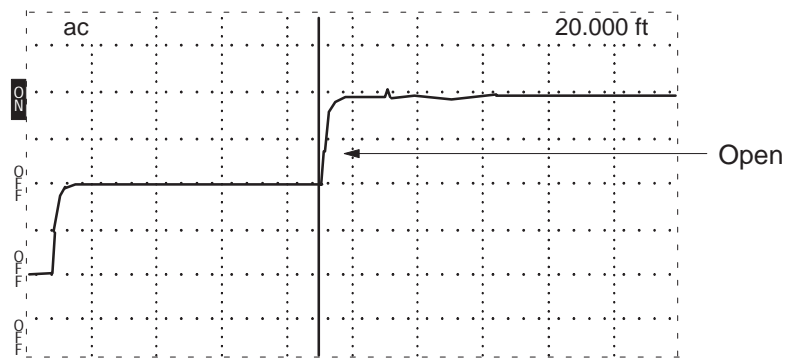
Figure 1-8: 20-ft Cable at 5 ft/div

If the cable length is unknown, set DIST/DIV to 200 ft/div and continue to decrease the setting until the reflected pulse is visible. Depending on the cable length and the amount of pulse energy absorbed by the cable, it might be necessary to increase the VERT SCALE to provide more gain to see the reflected pulse.



**Figure 1-9: Short in the Cable**

When the entire cable is displayed, you can tell if there is an open or a short. Essentially, a large downward pulse indicates a short (see Figure 1-9), while a large upward pulse indicates an open (see Figure 1-10). Less catastrophic faults can be seen as smaller reflections. Bends and kinks, frays, water, and interweaving all have distinctive signatures.

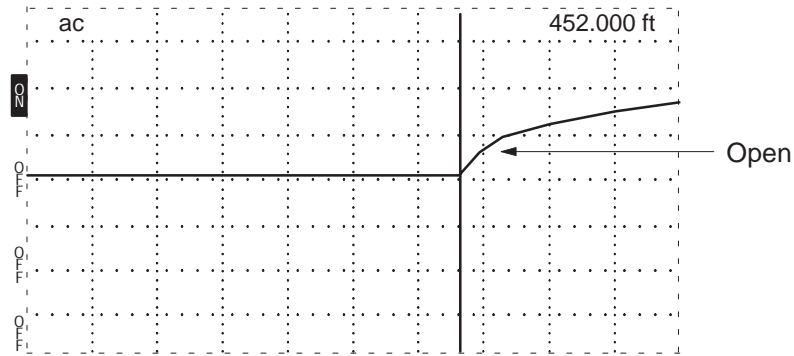


**Figure 1-10: Open in the Cable**

3. To find the distance to the fault or end of the cable, turn the <> POSITION control until the cursor rests on the leading edge of the rising or falling reflected pulse (see Figure 1-10). Read the distance in the distance window in the upper right corner of the display.

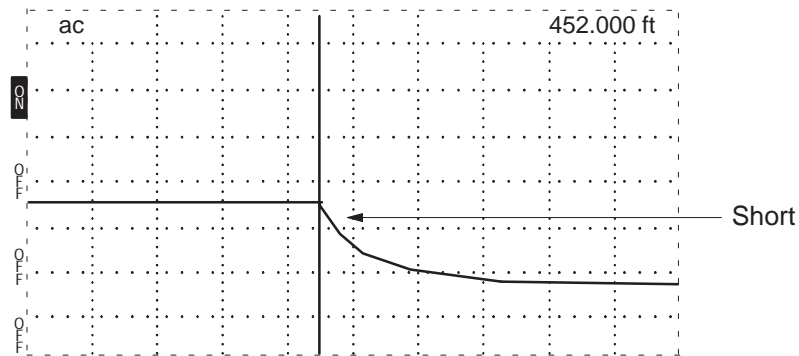
A more thorough inspection might be required. This example uses a longer cable:

4. When inspecting a 452-foot cable, a setting of 50 ft/div allows a relatively fast inspection. If needed, turn VERT SCALE to increase the gain. The higher the gain, the smaller the faults that can be detected. If noise increases, increase the NOISE FILTER setting.



**Figure 1-11: 455-ft Cable**

- Change DIST/DIV to 20 ft/div. The entire cable can now be inspected in detail on the LCD. Turn the <|> POSITION control so the cursor travels to the far right side of the LCD. Keep turning and the cable will be “dragged” across the display.



**Figure 1-12: 455-ft Cable**

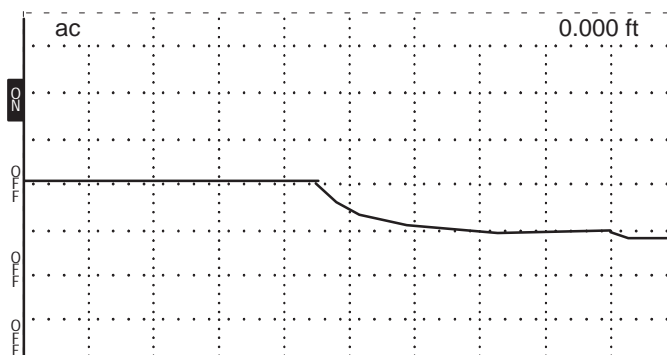
A “rise” or “fall” is a signature of an impedance mismatch (fault). A dramatic rise in the pulse indicates an open. A dramatic lowering of the pulse indicates a short. Variations, such as inductive and capacitive effects on the cable, will appear as bumps and dips in the waveform. Capacitive faults appear as a lowering of the pulse (e.g., water in the cable). Inductive faults appear as a rising of the pulse (e.g., fray). Whenever an abnormality is found, set the cursor at the beginning of the fault and read the distance to the fault on the distance window of the LCD.

### Reflection Coefficient Measurements

The reflection coefficient is a measure of the impedance change at a point in the cable. It is the ratio of the signal reflected back from a point, divided by the signal going into that point. It is designated by the Greek letter  $\rho$  and is written in this manual as rho. The 1502B measures the reflection coefficient in millirho (thousandths of a rho).

To measure a reflection, adjust VERT SCALE to make the reflection one division high. Read the reflection coefficient directly off the display above the VERT

SCALE control. For reflections that are greater than 500 m $\rho$ /div, adjust VERT SCALE for a reflection that is two divisions high and multiply the VERT SCALE reading by two.



**Figure 1-13: Reflection Adjusted to One Division in Height**

In an ideal transmission system with no changes in impedance, there will be no reflections, so rho is equal to zero. A good cable that is terminated in its characteristic impedance is close to ideal and will appear as a flat line on the 1502B display.

Small impedance changes, like those from a connector, might have reflections from 10 to 100 m $\rho$ . If rho is positive, it indicates an impedance higher than that of the cable before the reflection. It will show as an upward shift or bump on the waveform. If rho is negative, it indicates an impedance lower than that of the cable prior to the reflection. It will show as a downward shift or dip on the waveform.

If the cable has an open or short, all the energy sent out by the 1502B will be reflected. This is a reflection coefficient of rho = 1, or +1000 m $\rho$  for the open and -1000 m $\rho$  for the short.

Long cables have enough loss to affect the size of reflections. In the 1502B, this loss will usually be apparent as an upward ramping of the waveform along the length of the cable. In some cases, the reflection coefficient measurement can be corrected for this loss. This correction can be made using a procedure very similar to the *Vertical Compensation for Higher Impedance Cable* procedure (see the *VERT SET REF* section).

### Return Loss Measurements

Return loss is another way of measuring impedance changes in a cable. Mathematically, return loss is related to rho by the formula:

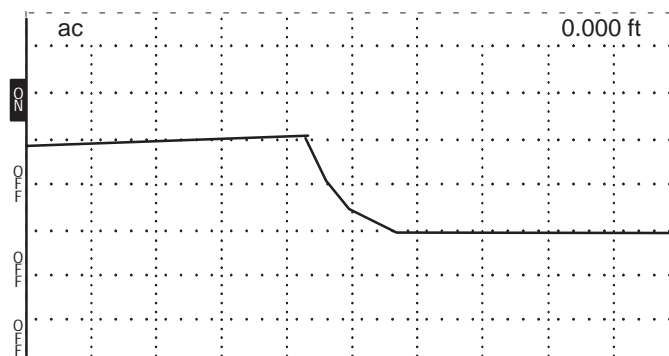
$$\text{Return Loss (in dB)} = -20 * \log (\text{base ten}) \text{ of Absolute Value of Rho } (V_{\text{ref}}/V_{\text{inc}})$$

The 1502B can be made to display in dB instead of m $\rho$ /div through the menu:

1. Press MENU.

2. Select *Setup Menu*.
3. Press MENU again.
4. Select *Vertical Scale is: Millirho*.
5. Press MENU again. This should change is to *Vertical Scale is: Decibels*.
6. Press MENU twice to return to normal operation.

To measure return loss with the 1502B, adjust the height of the reflected pulse to be two divisions high and read the dB return loss directly off the LCD. The incident pulse is set to be two divisions high at zero dB automatically when the instrument is turned on.



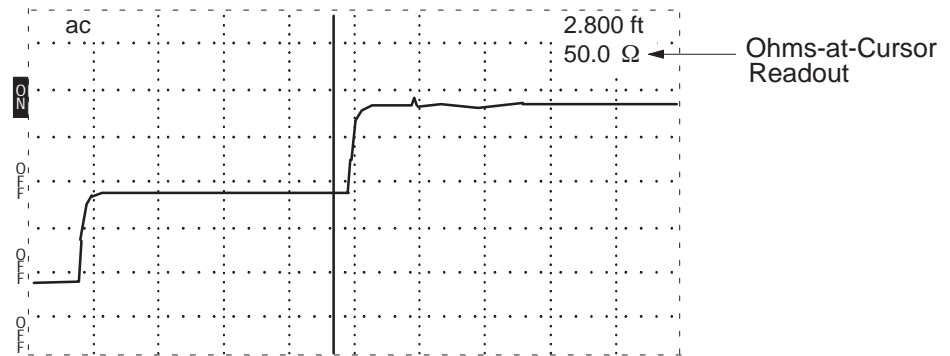
**Figure 1-14: Return Loss**

A large return loss means that most of the pulse energy was lost instead of being returned as a reflection. The lost energy might have been sent down the cable or absorbed by a terminator or load on the cable. A terminator matched to the cable would absorb most of the pulse, so its return loss would be large. An open or short would reflect all the energy, so its return loss would be zero.

### Ohms-at-Cursor

The 1502B can compute and display what impedance mismatch would cause a reflection as high (or low) as the point at the cursor. This measurement is useful for evaluating the first impedance mismatch (first reflection) or small impedance changes along the cable (e.g., connectors, splices).

This function can be selected in the Setup Menu. Once it is enabled, the impedance value will be displayed under the distance in the distance window.



**Figure 1-15: Ohms-at-Cursor**

The accuracy of the difference measurement in impedance between two points near each other is much better than the absolute accuracy of any single point measurement. For example, a cable might vary from  $51.3\Omega$  to  $58.4\Omega$  across a connector – the  $7.1\Omega$  difference is accurate to about 2%. The  $51.3\Omega$  measurement by itself is only specified to be accurate to 10%.

The series resistance of the cable to the point at the cursor affects the accuracy of the impedance measurement directly. In a cable with no large impedance changes, the series resistance is added to the reading. For example, the near end of a long  $50\Omega$  coaxial cable might read  $51.5\Omega$ , but increase to  $57.5\Omega$  several hundred feet along the cable. The  $6\Omega$  difference is due to the series resistance of the cable, not to a change in the actual impedance of the cable.

Another limitation to the ohms-at-cursor function is that energy is lost going both directions through a fault. This will cause readings of points farther down the cable to be less accurate than points nearer to the instrument.

In general, it is not wise to try to make absolute measurements past faults because the larger the fault, the less accurate those measurements will be. Although they do not appear as faults, resistive pads (often used to match cable impedances) also affect measurements this way.

### Using VIEW INPUT

When pushed, the VIEW INPUT button displays the input at the front panel CABLE connector. When VIEW INPUT is turned off and no other buttons are pushed, the display will not have a waveform on it (see Figure 1-16, next page). The default condition when the instrument is powered up is to have VIEW INPUT on.

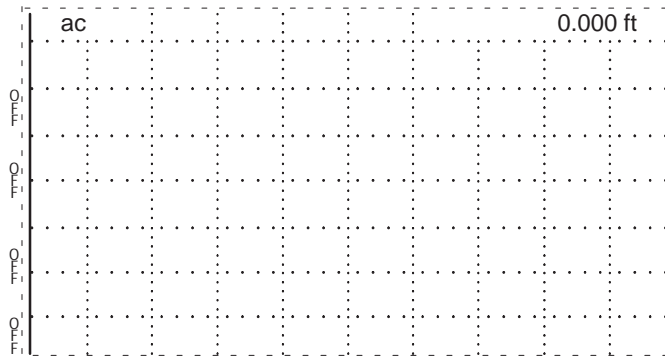


Figure 1-16: Display with VIEW INPUT Turned Off

**How to Store the Waveform**

When pushed, the STORE button puts the current waveform being displayed into memory. If already stored, pushing STORE again will erase the stored waveform.

The front panel control settings and the menu-accessed settings are also stored. They are accessed under *View Stored Waveform Settings* in the first level of the menu.

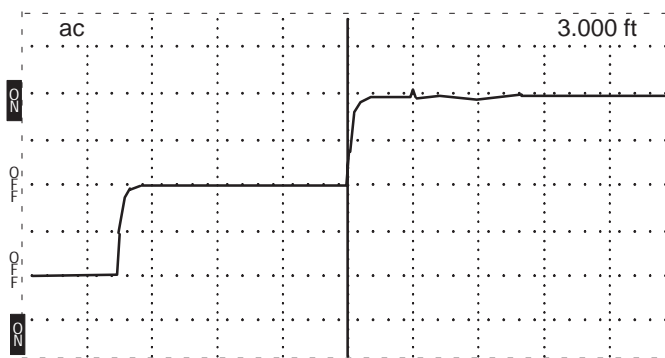


Figure 1-17: Display of a Stored Waveform

**Using VIEW STORE**

The VIEW STORE button, when pushed on, displays the waveform stored in the memory as a dotted line. If there is no waveform in memory, a message appears on the LCD informing you of this.

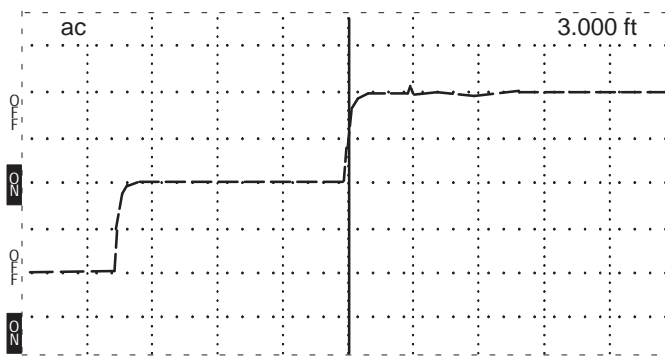


Figure 1-18: Display of a Stored Waveform

## Using VIEW DIFF

When pushed on, the VIEW DIFF button displays the difference between the current waveform and the stored waveform as a dotted line. If no waveform has been stored, a message will appear. The difference waveform is made by subtracting each point in the stored waveform from each point in the current waveform.

---

**NOTE.** *If the two waveforms are identical (e.g., if STORE is pushed and VIEW DIFF is immediately pushed) the difference would be zero. Therefore you would see the difference waveform as a straight line.*

---

The VIEW DIFF waveform will move up and down with the current input as you move the  $\Delta$ POSITION control. Any of the waveforms may be turned on or off independently. You might want to turn off some waveforms if the display becomes too busy or confusing.

---

**NOTE.** *Because the stored waveform is not affected by changes in the instrument controls, care should be taken with current waveform settings or the results could be misleading.*

---

One method to minimize the overlapping of the waveforms in VIEW DIFF is:

1. Move the waveform to be stored into the top half of the display.

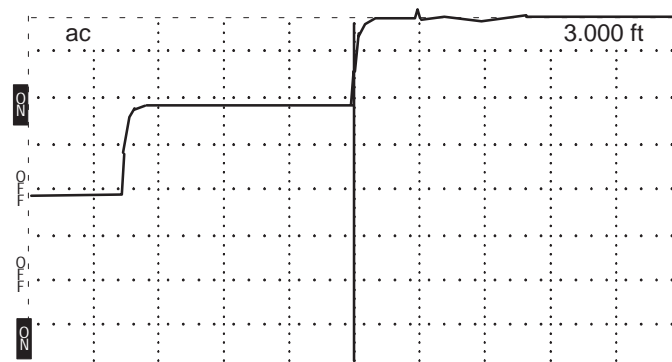


Figure 1-19: Waveform Moved to Top Half of Display

2. Push STORE to capture the waveform. Remember, once it is stored, this waveform cannot be moved on the display.
3. Move the current waveform (the one you want to compare against the stored waveform) to the center of the display.
4. Push VIEW STORE and the stored waveform will appear above the current waveform.



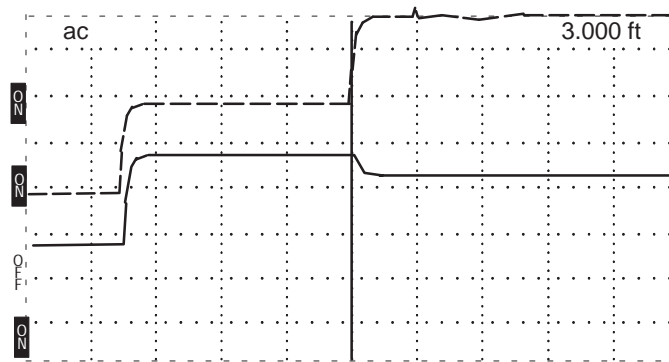


Figure 1-20: Current Waveform Centered, Stored Waveform Above

5. Push VIEW DIFF and the difference waveform will appear below the current waveform.

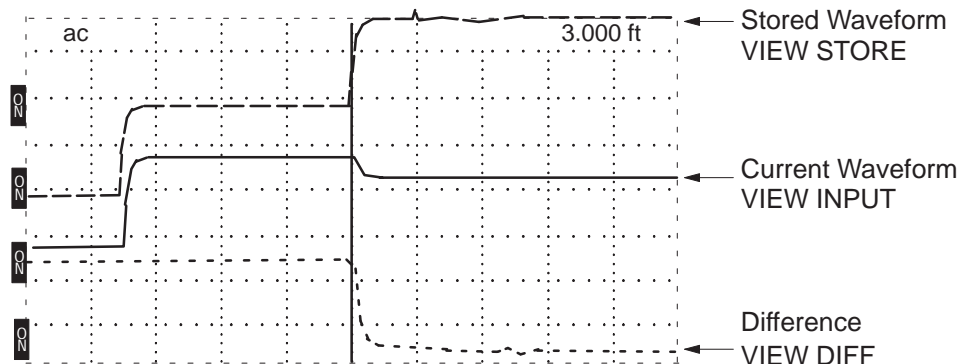


Figure 1-21: Current Waveform Center, Stored Waveform Above, Difference Below

Notice the VIEW INPUT waveform is solid, VIEW DIFF is dotted, and VIEW STORE is dot-dash.

There are many situations where the VIEW DIFF function can be useful. One common situation is to store the waveform of a suspect cable, repair the cable, then compare the two waveforms after the repair. During repairs, the VIEW INPUT, VIEW DIFF, and VIEW STORE waveforms can be used to judge the effectiveness of the repairs. The optional chart recorder can be used to make a chart of the three waveforms to document the repair.

Another valuable use for the VIEW DIFF function is for verifying cable integrity before and after servicing or periodic maintenance that requires moving or disconnecting the cable.

The VIEW DIFF function is useful when you want to see any changes in the cable. In some systems, there might be several reflections coming back from each branch of the network. It might become necessary to disconnect branch lines from the cable under test to determine whether a waveform represents a physical fault or is simply an echo from one of the branches. The STORE and VIEW DIFF functions allow you

to see and compare the network with and without branches.

Two important things to be observed when using the VIEW DIFF function:

- If you change either the VERT SCALE or DIST/DIV, you will no longer be comparing features that are the same distance apart or of the same magnitude on the display. It is possible to save a feature (e.g., a connector or tap) at one distance down the cable and compare it to a similar feature at a different distance by moving the  $\triangleleft$ POSITION and  $\triangle$ POSITION controls.
- When this is done, great care should be taken to make sure the vertical and horizontal scales are identical for the two waveforms being compared. If either the stored or current waveform is clipped at the top or bottom of the display, the difference waveform will be affected.

### Using Horizontal Set Reference

HORZ SET REF ( $\Delta$  mode) allows you to offset the distance reading. For example, a lead-in cable to a switching network is three feet long and you desire to start the measurement after the end of the lead-in cable. HORZ SET REF makes it simple.

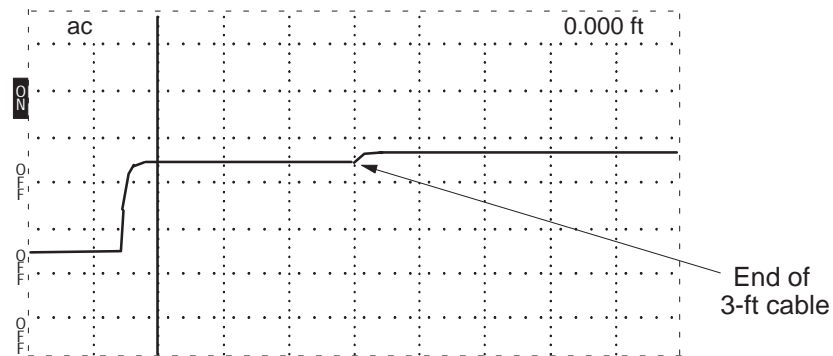


Figure 1-22: Waveform of Three-Foot Lead-in Cable

1. Turn the NOISE FILTER control to HORZ SET REF. The noise readout on the LCD will show: set  $\Delta$ .
2. Turn the  $\triangleleft$ POSITION control to set the cursor where you want to start the distance reading. This will be the new zero reference point. For a three-foot lead-in cable, the cursor should be set at 3.00 ft.

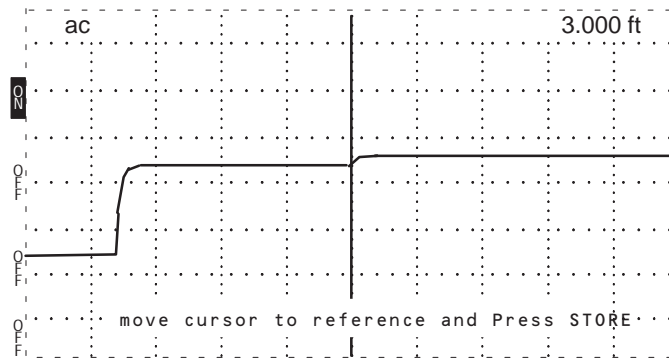


Figure 1-23: Cursor Moved to End of Three-Foot Lead-in Cable

3. Push STORE.
4. Turn the NOISE FILTER control to 1 avg. The instrument is now in HORZ SET REF, or delta mode. The distance window should now read 0.00 ft. As the cursor is scrolled down the cable, the distance reading will now be from the new zero reference point.



Figure 1-24: Cursor Moved to End of Three-Foot Lead-in Cable

---

**NOTE.** *V<sub>p</sub> changes will affect where the reference is set on the cable. Be sure to set the V<sub>p</sub> first, then set the delta to the desired location.*

---

5. To exit HORZ SET REF, use the following procedure:
  - a. Turn the NOISE FILTER control to HORZ SET REF.
  - b. Turn DIST/DIV to .1 ft/div. If the distance reading is extremely high, you might want to use a higher setting initially, then turn to .1 ft/div for the next adjustment.
  - c. Turn the <D>POSITION control until the distance window reads 0.00 ft.

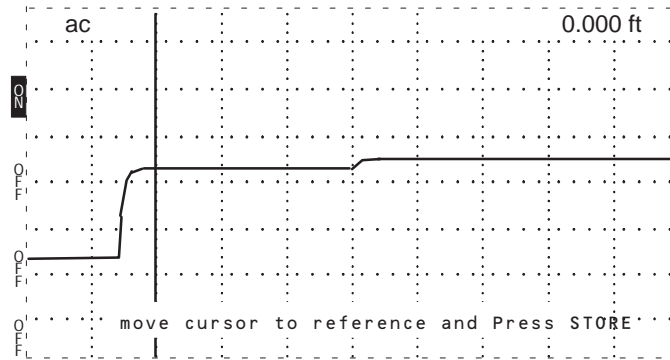


Figure 1-25: Cursor Moved to 0.00 ft

- d. Push STORE.
- e. Turn NOISE FILTER to desired setting.

**Using Vertical Set Reference**

VERT SET REF works similar to HORZ SET REF except that it sets a reference for gain (pulse height) instead of distance. This feature allows zeroing the dB scale at whatever pulse height is desired.

1. Turn NOISE FILTER fully counterclockwise. “Set Ref” will appear in the noise averaging area of the LCD.
2. Adjust the incident pulse to the desired height (e.g., four divisions). It might be necessary to adjust  $\Delta$ POSITION.

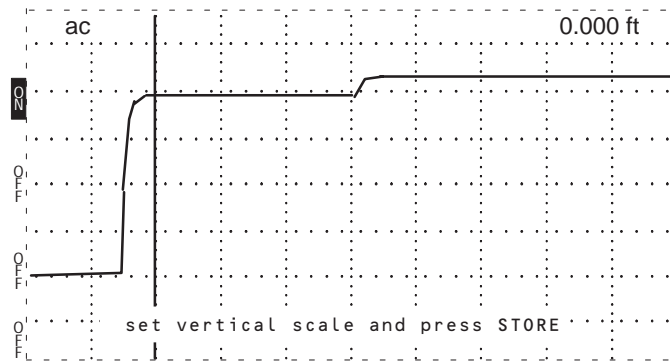


Figure 1-26: Incident Pulse at Three Divisions

3. Push STORE.
4. Return NOISE FILTER to the desired setting. Notice that the vertical scale now reads 500 m $\rho$ /div.

**NOTE.** The millirho vertical scale will not be in calibration after arbitrarily adjusting the pulse height.

The millirho scale is the reciprocal of the number of divisions high the pulse has been set. For example, 1 pulse divided by 4 divisions equals 0.25 or 250 mρ/div.

### Vertical Compensation for Higher Impedance Cable

When testing cables other than 50Ω, this procedure allows reflection measurements in millirho.

1. Attach a short sample of the given cable (75Ω in this example) to the instrument.

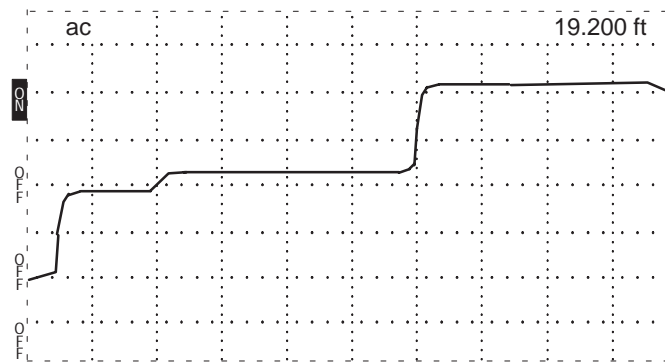


Figure 1-27: Waveform of Short 75Ω Cable

2. Adjust the <D>POSITION control to position the reflected pulse at center screen.
3. Turn NOISE FILTER to VERT SET REF.
4. Adjust VERT SCALE so the reflected pulse (from open at far end of cable sample) is two divisions high.

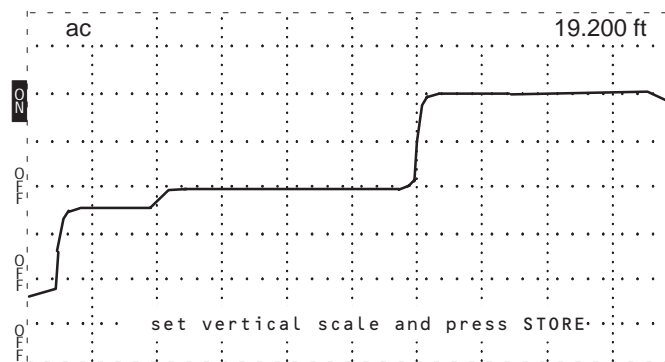
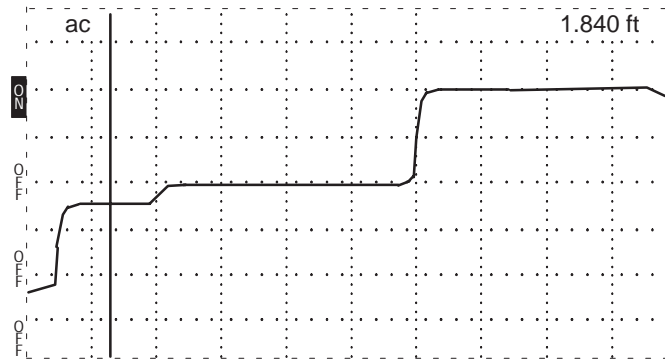


Figure 1-28: Waveform Centered and Adjusted Vertically

5. Press STORE.
6. Return NOISE FILTER to the desired setting.
7. Adjust the <D>POSITION control to the desired position on the waveform to measure loss.



**Figure 1-29: Cursor Moved to Desired Position**

The instrument is now set to measure reflections in millirho relative to the sample cable impedance.

To measure reflections on a  $50\Omega$  cable, the VERT SET REF must be reset.

8. To exit VERT SET REF, use the following procedure:
  - a. Turn NOISE FILTER to VERT SET REF.
  - b. Adjust VERT SCALE to obtain an incident pulse height of two divisions.
  - c. Push STORE.
  - d. Turn NOISE FILTER to desire filter setting.

The instrument can be turned off and back on to default to the two division pulse height.

## Additional Features (Menu Selected)

- Max Hold** The 1502B will capture and store waveforms on an ongoing basis. This is useful when the cable or wire is subjected to intermittent or periodic conditions. The 1502B will monitor the line and display any fluctuations on the LCD.
1. Attach the cable to the 1502B front-panel CABLE connector.
  2. Push MENU to access the main menu.
  3. Scroll to *Setup Menu* and push MENU again.
  4. Scroll to *Acquisition Control Menu* and push MENU again.
  5. Scroll to *Max Hold is: Off* and push MENU again. This line will change to *Max Hold is: On*. The monitoring function is now ready to activate.
  6. Repeatedly push MENU until the instrument returns to normal operation.

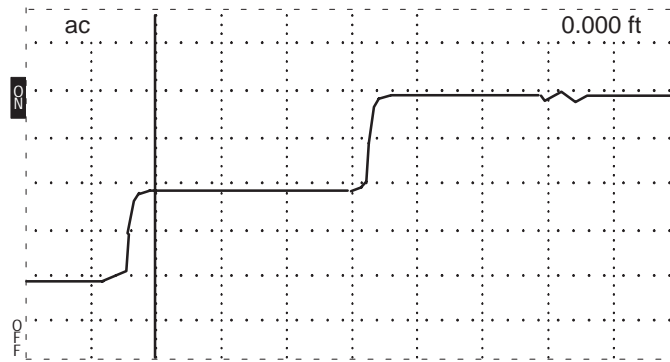


Figure 1-30: Waveform Viewed in Normal Operation

7. When you are ready to monitor this cable for intermittents, push STORE. The 1502B will now capture any changes in the cable.

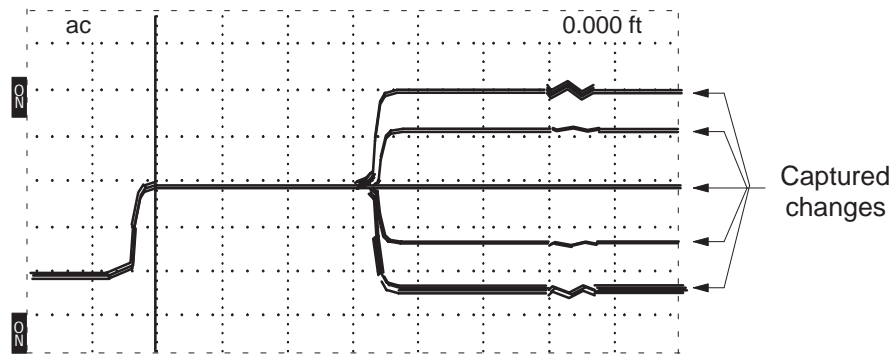


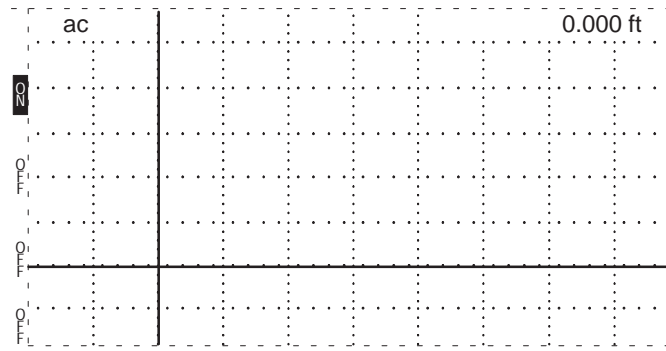
Figure 1-31: Waveform Showing Intermittent Changes

8. To exit monitor mode, push STORE again.
9. To exit Max Hold, access the *Acquisition Control Menu* again, turn off Max Hold, and push MENU repeatedly until the instrument returns to normal operation.

**Pulse On/Off**

This feature puts the 1502B in a “listening mode” by turning off the pulse generator.

1. Attach a cable to the 1502B front-panel CABLE connector.
2. Push MENU to access the Main Menu.
3. Scroll to *Setup Menu* and push MENU again.
4. Scroll to *Acquisition Control Menu* and push MENU again.
5. Scroll to *Pulse is: On* and push MENU again. This will change to *Pulse is: Off*.



**Figure 1-32: Waveform Display with No Outgoing Pulses**

6. Repeatedly press MENU until the instrument returns to normal operation.



**CAUTION.** This function is used mostly for troubleshooting by qualified technicians. It is not recommended that you use the 1502B as a stand-alone monitoring device. The input circuitry is very sensitive and can be easily damaged by even moderate level signals.

**NOTE.** In this mode, the 1502B is acting as a detector only. Any pulses detected will not originate from the instrument, so any distance readings will be invalid. If you are listening to a local area network, for example, it is possible to detect traffic, but not possible to measure the distance to its origin.

*Pulse is: Off* can be used in conjunction with *Max Hold is: On*.

7. To exit *Pulse is: Off*, access the *Acquisition Control Menu* again, turn the pulse back on, then repeatedly push MENU until the instrument returns to normal operation.

### Single Sweep

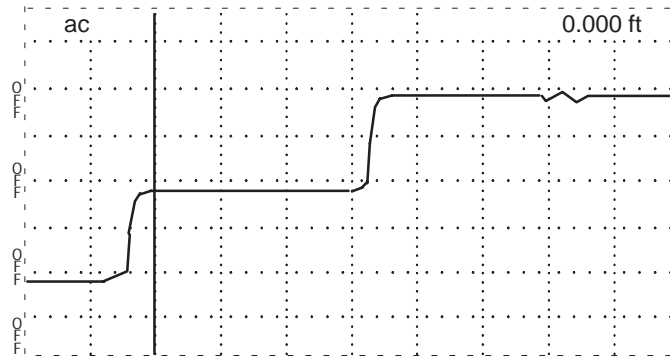
The single sweep function will acquire one waveform only and display it.

1. Attach a cable to the 1502B front-panel CABLE connector.
2. Push MENU to access the Main Menu.
3. Scroll to *Setup Menu* and push MENU again.
4. Scroll to *Acquisition Control Menu* and push MENU again.
5. Scroll to *Single Sweep is: Off* and push MENU again. This will change to *Single Sweep is: On*.
6. Repeatedly press MENU until the instrument returns to normal operation.



7. When you are ready to begin a sweep, push VIEW INPUT. A sweep will also be initiated when you change any of the front-panel controls. This allows you to observe front panel changes without exiting the Single Sweep mode.

As in normal operation, averaged waveforms will take longer to acquire.



**Figure 1-33: A Captured Single Sweep**

8. To exit *Single Sweep is: On*, access the *Acquisition Control Menu* again, turn the Single Sweep back off, then repeatedly push MENU until the instrument returns to normal operation.



# Operator Performance Checks

This chapter contains performance checks for many of the functions of the 1502B. They are recommended for incoming inspections to verify that the instrument is functioning properly. Procedures to verify the actual performance requirements are provided in the *1502B Service Manual*.

Performing these checks will assure you that your instrument is in good working condition. These checks should be performed upon receipt of a new instrument or one that has been serviced or repaired. It does not test all portions of the instrument to Calibration specifications.

The purpose of these checks is not to familiarize a new operator with the instrument. If you are not experienced with the instrument, you should read the *Operating Instructions* chapter of this manual before going on with these checks.

If the instrument fails any of these checks, it should be serviced. Many failure modes affect only some of the instrument functions.

## Equipment Required

Item	Tektronix Part Number
50 $\Omega$ precision terminator	011-0123-00
3-foot precision coaxial cable	012-1350-00

## Getting Ready

Disconnect any cables from the front-panel CABLE connector. Connect the instrument to a suitable power source (a fully charged optional battery pack or AC line source). If you are using AC power, make sure the fuse and power switch are correct for the voltage you are using (115 VAC requires a different fuse than 230 VAC).

## Power On

Pull the POWER switch on the front panel. If a message does not appear on the display within a second or two, turn the instrument off. There are some failure modes that could permanently damage or ruin the LCD if the power is left on for more than a minute or so.

## Metric Instruments

Option 05 instruments default to metric; however, you can change the metric scale to ft/div in the *Setup Menu* or use the metric numbers provided. To change the readings, press the MENU button. Using the  $\Delta$  POSITION control, scroll down to *Setup Menu* and press MENU again. Scroll down to *Distance/Div is: m/div* and press MENU again. This will change to ft/div. Press the MENU button repeatedly to return to normal operation mode. If the instrument power is turned off, these checks must be repeated again when the instrument is powered on again.

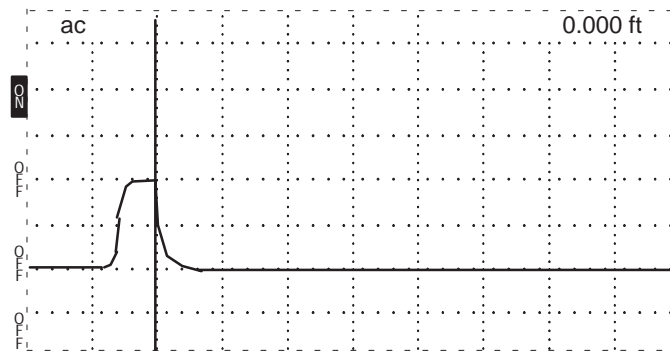
**Set Up** Set the 1502B front-panel controls:

NOISE FILTER	1 avg
VERT SCALE	no adjustment
DIST/DIV	1 ft/div (0.25 m)
Vp	.66

**1. Horizontal Scale (Timebase) Check**

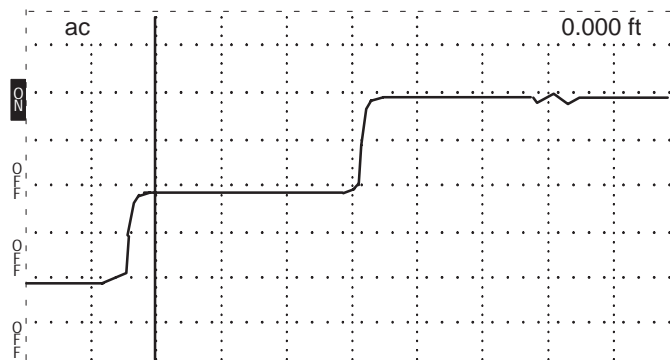
If the instrument fails this check, it must be repaired before any distance measurements can be made with it.

1. Turn the 1502B power on. The display should look very similar to Figure B-1.



**Figure 2-1: Start-up Measurement Display**

2. Connect the 3-foot precision cable to the front-panel CABLE connector. The display should now look like Figure B-2.



**Figure 2-2: Measurement Display with 3-foot Cable**

3. Using the <math>\triangleleft>\trianglerightarrow</math> POSITION control, measure the distance to the rising edge of the waveform at the open end of the cable. The distance shown on the display distance window (upper right corner of the LCD) should be from 2.87 to 3.13 feet (0.875 to 0.954 m).

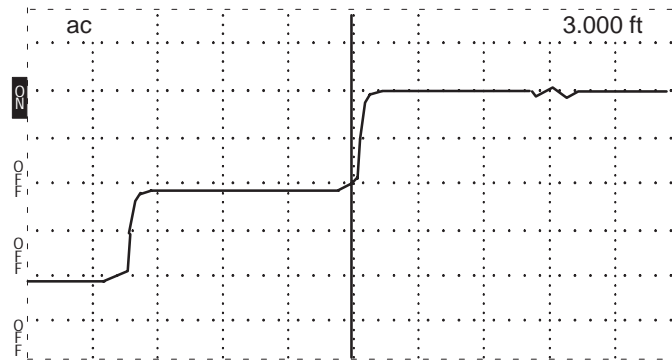


Figure 2-3: Cursor at End of 3-foot Cable

4. Remove the 3-foot cable and connect the 50 $\Omega$  terminator.
5. Change the DIST/DIV to 200 ft/div (50 m/div)
6. Turn the  $\triangleleft$  POSITION control clockwise until the distance window shows a distance greater than 2,000 feet (> 600 m). The waveform should be a flat line from the pulse to this point.

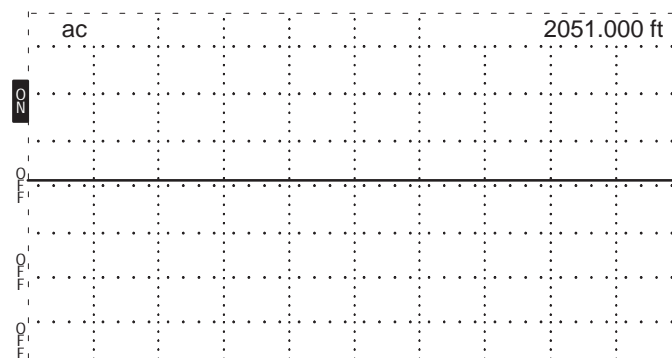
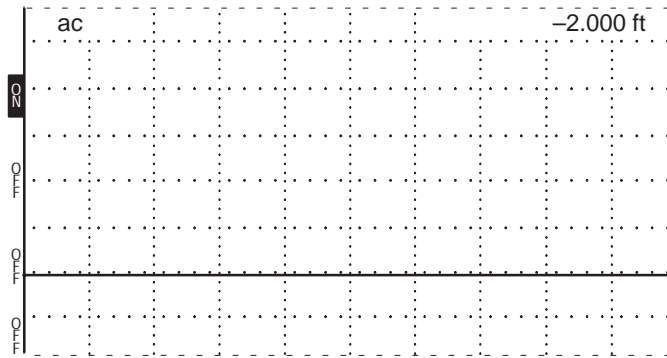


Figure 2-4: Flat-Line Display Out to 50,000+ Feet

7. Turn the  $\triangleleft$  POSITION control counterclockwise until the distance window shows a distance less than 10.000 feet (< 3.1 m).
8. Set the DIST/DIV control to .1 ft/div (0.025 m/div).
9. Turn the  $\triangleleft$  POSITION control counterclockwise until the distance window shows a distance of -2.000 feet (-0.611 m).



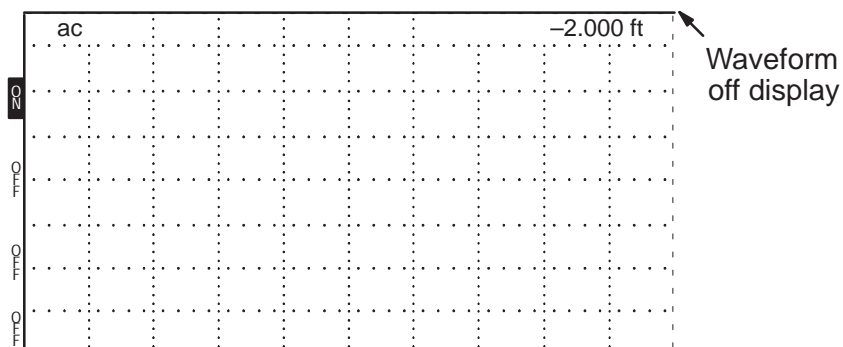
**Figure 2-5: Flat-Line Display at -2.000 ft**

This last step has set up the instrument for the next check.

**2. Vertical Position (Offset) Check**

If the instrument fails this test, it can be used, but should be serviced when possible. Not all of the waveforms will be viewable at all gain settings.

1. Using the  $\nabla$  POSITION control, verify that the entire waveform can be moved to the very top of the display (off the graticule area).



**Figure 2-6: Waveform Off the Top of the Display**

2. Using the  $\nabla$  POSITION control, verify that the entire waveform can be moved to the very bottom of the display (to the bottom graticule line).

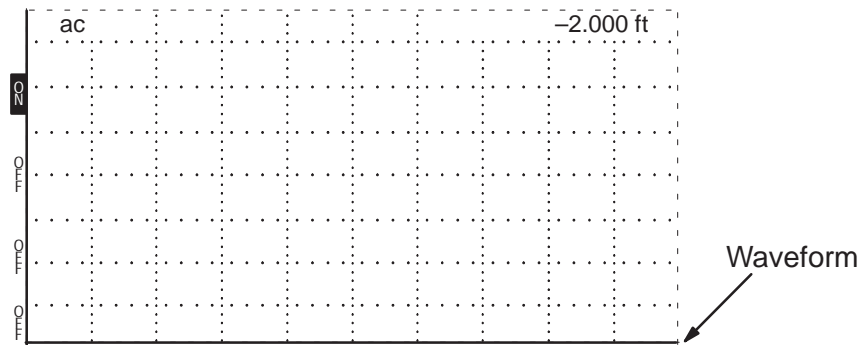


Figure 2-7: Waveform at the Bottom of the Display

### 3. Noise Check

If the instrument fails this check, it can still be usable for measurements of large faults that do not require a lot of gain, but send the instrument to be serviced when possible. A great deal of noise reduction can be made using the NOISE FILTER control.

1. Adjust the  $\triangleleft \triangleright$  POSITION control to obtain 100.000 ft in the distance window.

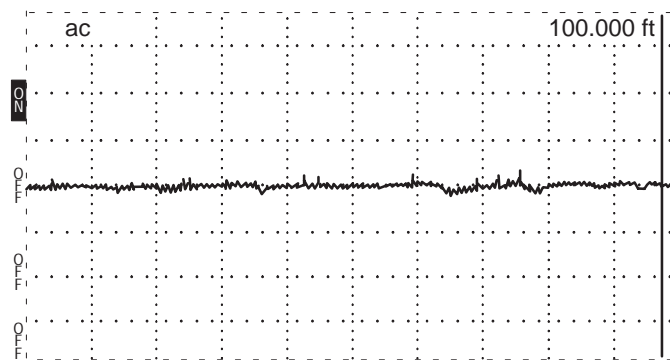


Figure 2-8: Waveform with Gain at 5.00 mp/div

2. Using the  $\triangleleft \triangleright$  POSITION control and VERT SCALE control, set the gain to 5.00 mp/div. Keep the waveform centered vertically in the display.
3. Press MENU.
4. Using the  $\triangleleft \triangleright$  POSITION control, select *Diagnostics Menu*.
5. Press MENU again.
6. Using the  $\triangleleft \triangleright$  POSITION control, select *Service Diagnostic Menu*.
7. Press MENU again.
8. Using the  $\triangleleft \triangleright$  POSITION control, select *Noise Diagnostics*.
9. Press MENU again and follow the instructions on the display.

10. Exit from *Noise Diagnostics*, but do not exit from the *Service Diagnostic Menu* yet.

#### 4. Offset/Gain Check

If the instrument fails this check, it should not be used for loss or impedance measurements. Send it to be serviced when possible.

1. In the *Service Diagnostic Menu*, select the *Offset/Gain Diagnostic* and follow the directions on the display.

---

**NOTE.** Occasionally, the instrument might not pass the 48 dB step. This is no cause for alarm. If the remainder of the steps do not fail, proceed as normal. Refer to Chapter 6 of this manual.

---

There are three screens of data presented in this diagnostic. The Pass/Fail level is 3% for any single gain setting tested.

2. Exit from *Offset/Gain Diagnostic*, but do not leave the *Service Diagnostic Menu* yet.

#### 5. Sampling Efficiency Check

If the instrument fails this check, the waveforms might not look normal. If the efficiency is more than 100%, the waveforms will appear noisy. If the efficiency is below the lower limit, the waveform will take longer (more pixels) to move from the bottom to the top of the reflected pulse. This smoothing effect might completely hide some faults that would normally only be one or two pixels wide on the display.

1. In the *Service Diagnostic Menu*, select *Sampling Efficiency* and follow the directions on the screen.
2. When done with the test, press the MENU button repeatedly until the instrument returns to normal operation.

#### 6. Aberrations Check

If the aberrations are out of specification, the ohms-at-cursor function might be less accurate than specified.

1. Connect the 50 $\Omega$  precision terminator to the front-panel CABLE connector.
2. Set the DIST/DIV control to 5 ft/div (1 m/div).
3. Increase the VERT SCALE control to 50 mp/div.
4. Using the  $\Delta$  POSITION control, move the top of the pulse to the center graticule line.



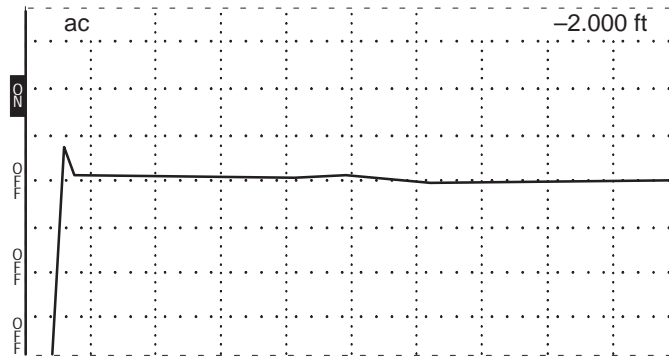


Figure 2-9: Top of Pulse on Center Graticule

5. Set the DIST/DIV control to 0.2 ft/div (0.05 m/div).
6. Turn the  $\triangleleft$  POSITION control clockwise until the rising edge of the incident pulse is in the left-most major division on the display.

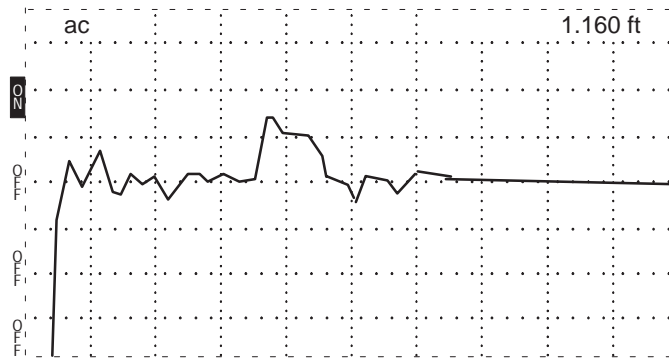


Figure 2-10: Rising Edge of Incident Pulse in Left-most Major Division

7. Using the  $\triangleleft$  POSITION control, move the cursor back to 0.000 ft (0.00 m).

All the aberrations, except the one under the cursor (see Figure 2-11, next page), must be within one division of the center graticule line from out to 10 feet past the rising edge of the pulse.

To verify distances past the right edge of the display, scroll along the waveform by turning the  $\triangleleft$  POSITION control clockwise.

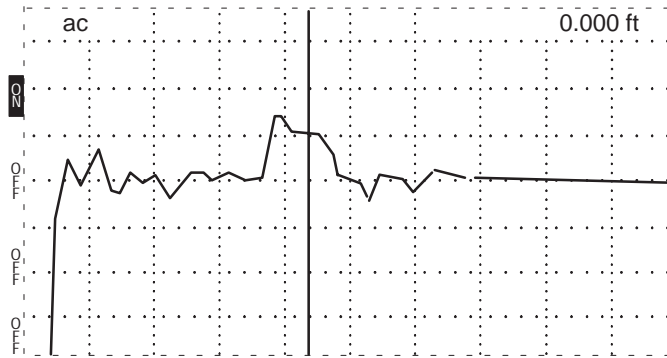


Figure 2-11: Waveform Centered, Cursor at 0.000 ft

### 7. Risetime Check

If the risetime is out of specification, it might be difficult to make accurate short-distance measurements near the front panel.

1. Set the 1502B front-panel controls:

NOISE FILTER	1 avg
VERT SCALE	500 m $\rho$ /div
DIST/DIV	0.2 ft/div (0.05 m)
V <sub>p</sub>	.99

2. Using the  $\langle \triangleright \rangle$  POSITION control, move the incident pulse to the center of the display as shown below.

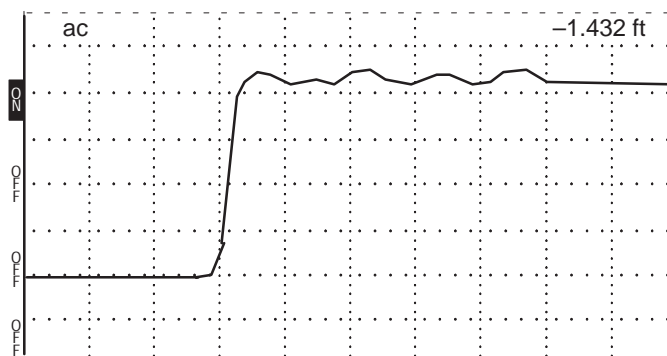


Figure 2-12: Pulse Centered on Display

3. Turn the VERT SCALE control clockwise until the leading edge of the incident pulse is five major divisions high (about 205 m $\rho$ ).
4. Position the waveform so that it is centered about the middle graticule line.

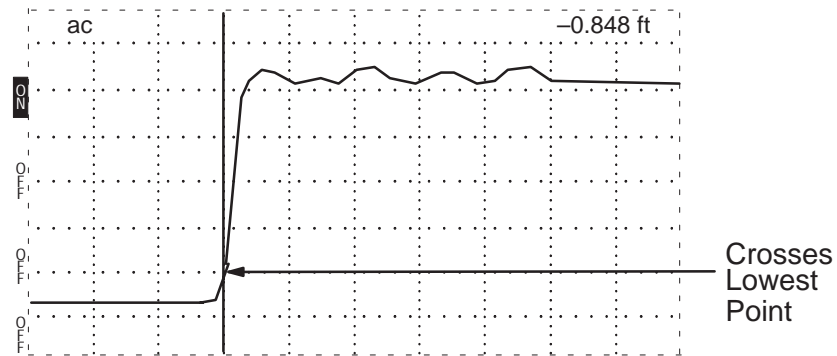


Figure 2-13: Cursor on Lowest Major Graticule that Rising Edge crosses

- Using the  $\leftarrow$  POSITION control, and noting the distances displayed, verify that the distance between the points where the leading edge crosses the highest and lowest major graticule lines is less than or equal to 0.096 feet (0.029 m).

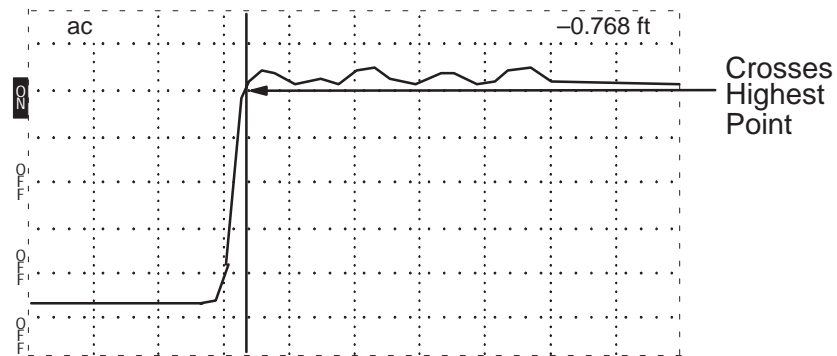


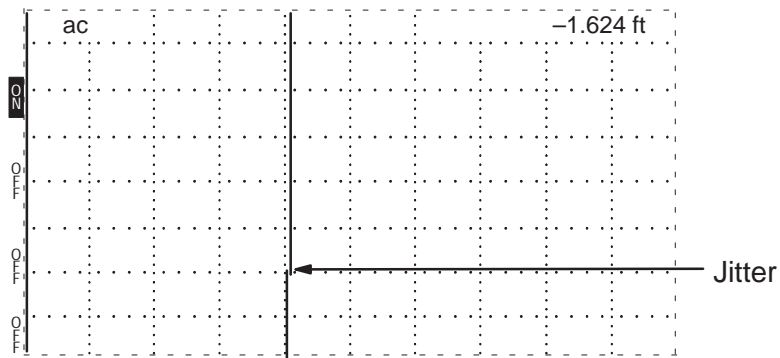
Figure 2-14: Cursor on Highest Major Graticule that Rising Edge crosses

In the above example, the distances are -0.848 feet and -0.768 feet. The difference between these two measurements is 0.080 feet, which is well within specification.

## 8. Jitter Check

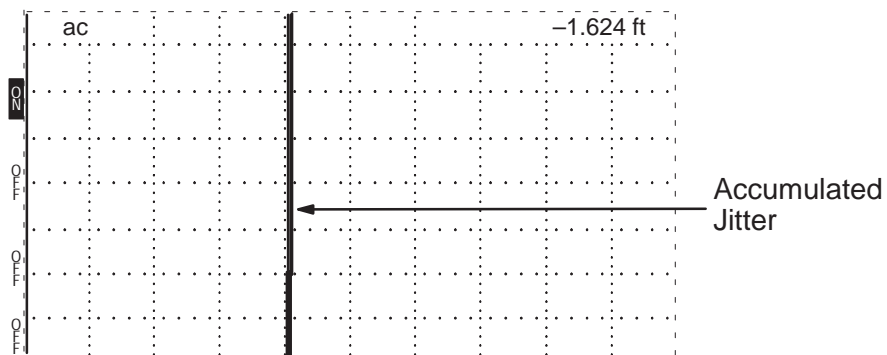
Jitter is the uncertainty in the timebase. Its main effect is that the waveform appears to move back and forth a very small amount. If the jitter is too great, it will affect the repeatability of very precise distance measurements.

- Set the VERT SCALE less than or equal to 1.0 mr/div.
- Watch the leading edge of the pulse move and verify that this movement is less than five pixels, or < 0.02 ft (0.006 m).



**Figure 2-15: Jitter Apparent on Leading Edge of Incident Pulse**

Using the Max Hold function (accessed in the *Setup Menu, Acquisition Control*) can simplify your observation of jitter. Max Hold allows you to observe the accumulated jitter without having to stare continuously at the display.



**Figure 2-16: Jitter Captured Using Max Hold**

**Conclusions**

If the instrument failed Jitter or Risetime checks, it is probably still adequate for all but extremely precise distance measurements. If it failed the Horizontal Scale check, you should not use the instrument until the cause of the failure has been identified and corrected.

All of the previous checks only test the major functional blocks of the instrument that could prevent you from being able to make measurements. It is possible for the front-panel controls or the LCD to have problems that would interfere with controlling or displaying measurements. Most problems of this type would become evident as you perform the checks. If you suspect a problem of this nature, you should have the instrument checked by a qualified service technician, using the diagnostics in the *1502B Service Manual*.

If the instrument passed all of the previous checks, it is ready for use.



# Specifications

The tables in this chapter list the characteristics and features that apply to this instrument after it has had a warm-up period of at least five minutes.

The Performance Requirement column describes the limits of the Characteristic. Supplemental Information describes features and typical values or other helpful information.

## Electrical Characteristics

Characteristic	Performance Requirement	Supplemental Information
Excitation Pulse Reflected Pulse	$\leq 200$ ps (0.096 feet)	Vp set to 0.99; 10 to 90%, into a precision short
Aberrations	$\pm 5\%$ peak within 0 to 10 feet after rise $\pm 0.5\%$ peak beyond 10 feet	Excluding front panel aberrations
Jitter	$\leq 0.02$ feet ( $\leq 40$ ps) p-p Horz scale 0.1 ft/div $\leq 0.2$ feet ( $\leq 400$ ps) p-p Horz scale 1 ft/div	Vp set to 0.99, DIST/DIV set to 0.1 ft/div At 23.4 feet to 46.8 feet, jitter is $\leq 0.04$ feet.
Output Impedance	$50\Omega \pm 2\%$	After risetime stabilizes into $50\Omega$ termination
Pulse Amplitude		300 mV nominal into $50\Omega$ load
Pulse Width		25 $\mu$ s nominal
Pulse Repetition Time		200 $\mu$ s nominal
Vertical Scales	0.5 mp/div to 500 mp/div,	> 240 values, includes 1, 2, 5 sequences
Accuracy	Within $\pm 3\%$ of full scale	
Set Adj	Set incident pulse within 3%	
Vertical Position		Any waveform point is moveable to center screen
Displayed Noise	$\pm 5$ mp peak or less, filter set to 1 $\pm 2$ mp peak or less, filter set to 8	
Distance Cursor Resolution		1/25th of 1 major division
Cursor Readout Range		-2 ft to $\geq 2,000$ ft
Resolution		0.004 ft
Distance Measurement Accuracy	1.6 inches or $\pm 1\%$ of distance measured, whichever is greater	For cables with Vp = 0.66 For delta mode measurements Error $\leq 0.5\%$ for distance $\geq 27$ ft Error $\leq 1.0\%$ for distance $\geq 14$ ft Error $\leq 2.0\%$ for distance $\geq 7$ ft Error $\leq 10\%$ for distance $\geq 1.5$ ft

(continued next page)

## Specifications

Characteristic	Performance Requirement	Supplemental Information
Cursor Ohms Readout Range  Resolution  Accuracy		1 $\Omega$ to 1 k $\Omega$  3 significant digits  $\pm 10\%$ with serial cable impedance correction (relative impedance measurements $\pm 2\%$ )
Horizontal Scales  Range		11 values, 1, 2, 5 sequence 0.1 ft/div to 200 ft/div (0.025 m/div to 50 m/div) 1 ft to 2,000 ft (2.5 m to 500 m)
Horizontal Position		Any distance to full scale can be moved on screen
V <sub>p</sub> Range  Resolution  Accuracy	Within $\pm 1\%$	Propagation velocity relative to air 0.30 to 0.99  0.01  Included in total timebase error tolerance
Custom Option Port		Tektronix Chart Recorders YT-1 and YT-1S are designed to operate with the 1502B. Produces a high resolution thermal dot matrix recording of waveform and switch values.
Line Voltage	115 VAC (90 to 132 VAC) 45 to 440 Hz, or 230 VAC (180 to 250 VAC) 45 to 440 Hz, or 12 VDC through battery pack connector	Fused at 0.3 A Fused at 0.15 A
Battery Pack Operation  Full Charge Time  Overcharge Protection  Discharge Protection  Charge Capacity  Charge Indicator	5 hours minimum, 20 chart recordings maximum	+15° C to +25° C charge and discharge temp, LCD backlight off. Operation of instrument with backlight on or at temps below +10° C will degrade battery operation specification  20 hours maximum  Limited to 10 days continuous charge. Battery will charge whenever instrument is plugged in. Battery can be removed during AC operation.  Operation terminates prior to cell reversal  2 Amp-hours typical  Bat/low will be indicated on LCD when capacity reaches approximately 10%

## Environmental Characteristics

Characteristic	Performance Requirement	Supplemental Information
Temperature Operating	-10° C to +55° C	Battery capacity reduced at other than +15°C to +25°C
Non-operating	-62° C to +85° C	With battery pack removed. Storage temp with battery pack in is -20° C to +55° C. Contents on non-volatile memory (stored waveform) might be lost at temps below -40° C.
Humidity	to 100%	Internal desiccant
Altitude Operating	to 15,000 ft	MIL-T-28800C, Class 3
Non-operating	to 40,000 ft	
Vibration	5 to 15 Hz, 0.06 inch p-p 15 to 25 Hz, 0.04 inch p-p 25 to 55 Hz, 0.013 inch p-p	MIL-T-28800C, Class 3
Shock, Mechanical Pulse	30 g, 11 ms 1/2 sine wave, total of 18 shocks	MIL-T-28800C, Class 3
Bench Handling		MIL-STD-810, Method 516, Procedure V
Operating	4 drops each face at 4 inches or 45 degrees with opposite edge as pivot	Cabinet on, front cover off
Non-operating	4 drops each face at 4 inches or 45 degrees with opposite edge as pivot. Satisfactory operation after drops.	Cabinet off, front cover off
Loose Cargo Bounce	1 inch double-amplitude orbital path at 5 Hz, 6 faces	MIL-STD-810, Method 514, Procedure XI, Part 2
Water Resistance Operating	Splash-proof and drip-proof	MIL-T-28800C, Style A Front cover off
Non-operating	Watertight with 3 feet of water above top of case	Front cover on
Salt Atmosphere	Withstand 48 hours, 20% solution without corrosion	
Sand and Dust	Operates after test with cover on, non-operating	MIL-STD-810, Method 510, Procedure I
Washability	Capable of being washed	
Fungus Inert	Materials are fungus inert	

(continued next page)



Characteristic	Performance Requirement	Supplemental Information
Electromagnetic Compatibility	VDE 0871 Class B MIL-T-28800C MIL-STD-461A notice 4(EL)	CE02, CE04, CS02, CS06, RE02, RE02.1  RS03, RS03.1 from 14 kHz to 10 GHz
Radiated Susceptibility	MIL-STD-461A notice 4(EL), method MIL-STD-462 notice 3 for RS03 and RS03.1	Limited to 1 V/m (greater than 1 GHz, displayed noise characteristics performance shall be: $\pm 10$ m $\mu$ peak or less, with 50 $\Omega$ termination connected to RF input (16 averages)).

## Physical Characteristics

Characteristic	Description	
Weight	without cover	14.25 lbs (6.46 kg)
	with cover	15.75 lbs (7.14 kg)
	with cover, chart recorder, and battery pack	19.75 lbs (8.96 kg)
Shipping Weight	domestic	25.5 lbs (11.57 kg)
	export	25.5 lbs (11.57 kg)
Height		5.0 inches (127 mm)
Width	with handle	12.4 inches (315 mm)
	without handle	11.8 inches (300 mm)
Depth	with cover on	16.5 inches (436 mm)
	with handle extended to front	18.7 inches (490 mm)



# Options and Accessories

The following options are available for the 1502B MTDR:

## Option 03: Battery Pack

Option 03 instruments come equipped with a rechargeable nickel-cadmium battery pack.

### Battery Pack Removal and Replacement



---

**CAUTION.** *Read the instructions in the front of this manual concerning safety precautions necessary when charging, removing, or servicing the battery pack.*

---

1. Loosen the two knurled screws on the battery pack and pull back to remove from the rear panel of the instrument.
2. Check that the battery pack banana sockets are aligned correctly with the battery pack port banana plugs. Push the battery pack directly into the compartment and tighten the two screws finger tight.
3. If removing the battery for any length of time, seal the battery pack port with the battery port cover. This will help seal the instrument from dirt and moisture.

## Option 04: YT-1 Chart Recorder

Option 04 instruments come equipped with a chart printer. Refer to the *YT-1/YT-1S Chart Recorder Instruction Manual* that comes with this option for instructions on operation, paper replacement, and maintenance.

## Option 05: Metric Default

Option 05 instruments will power up in the metric measurements mode. Standard measurements may be selected from the menu, but metric will be the default.

## Option 07: YT-1S Chart Recorder

Option 07 instruments come equipped with a splashproof chart printer. Refer to the *YT-1/ YT-1S Chart Recorder Instruction Manual* that comes with this option for instructions on operation, paper replacement, and maintenance.

## Power Cord Options

The following power cord options are available for the 1502B TDR. Note that these options require inserting a 0.15 A fuse in the rear panel fuse holder.

---

**NOTE.** *The only power cord rated for outdoor use is the standard cord included with the instrument (unless otherwise specified). All other optional power cords are rated for indoor use only.*

---

<b>Option A1:</b>	220 VAC, 16 A, Universal Europe . . . . .	161-0066-09
<b>Option A2:</b>	240 VAC, 13 A, United Kingdom . . . . .	161-0066-10
<b>Option A3:</b>	240 VAC, 10 A, Australia . . . . .	161-0066-11
<b>Option A4:</b>	240 VAC, 15A, North America . . . . .	161-0066-12
<b>Option A5:</b>	240 VAC, 6 A, Switzerland . . . . .	161-0154-00

## Accessories

### Standard Accessories

■ Replacement Fuse (AC line fuse, 115 VAC) . . . . .	159-0029-01
■ Replacement Fuse (AC line fuse, 230 VAC) . . . . .	159-0054-00
■ Power Cord (outdoor rated) . . . . .	161-0228-00
■ Option Port Cover Assembly . . . . .	200-3737-00
■ Precision 50 $\Omega$ Test Cable (S/N $\geq$ B021135) . . . . .	012-1350-00
■ 50 $\Omega$ BNC Terminator . . . . .	011-0123-00
■ BNC Connector, female-to-female . . . . .	103-0028-00
■ Slide Rule Calculator . . . . .	003-0700-00
■ Slide Application Note (bound in this manual) . . . . .	062-8344-xx
■ Accessory Pouch . . . . .	016-0814-00
■ Operator Manual . . . . .	070-6266-xx

## Optional Accessories

■ Service Manual .....	070-6267-xx
■ Battery Pack .....	016-0813-00
■ Chart Recorder, YT-1S .....	119-3616-00
■ Chart Paper, single roll .....	006-7647-00
■ Chart Paper, 25-roll pack .....	006-7677-00
■ Chart Paper, 100-roll pack .....	006-7681-00
■ Connector, BNC male to BNC male .....	103-0029-00
■ Connector, BNC female to Alligator Clip (S/N $\geq$ B025708) ..	013-0261-00
■ Connector, BNC female to Hook-tip Leads .....	013-0076-01
■ Connector, BNC female to Dual Banana Plug .....	103-0090-00
■ Connector, BNC male to Dual Binding Post .....	103-0035-00
■ Connector, BNC male to N female .....	103-0058-00
■ Connector, BNC female to N male .....	103-0045-00
■ Connector, BNC female to UHF male .....	103-0015-00
■ Connector, BNC female to UHF female .....	103-0032-00
■ Connector, BNC female to Type F male .....	103-0158-00
■ Connector, BNC male to Type F female .....	013-0126-00
■ Connector, BNC female to GR .....	017-0063-00
■ Connector, BNC male to GR .....	017-0064-00
■ Terminator, 75 $\Omega$ BNC .....	011-0102-00
■ Adapter, Direct Current .....	015-0327-00
■ * Adapter, 50/75 $\Omega$ .....	017-0091-00
■ * Adapter, 50/93 $\Omega$ .....	017-0092-00
■ * Adapter, 50/125 $\Omega$ .....	017-0090-00

\* . These adapters should be purchased if GR connectors (017-0063-00 and/or 017-0064-00) are purchased.



**WARNING**

*The following servicing instructions are for use only by qualified personnel. To avoid injury, do not perform any servicing other than that stated in the operating instructions unless you are qualified to do so. Refer to all Safety Summaries before performing any service.*





# Circuit Descriptions

## Introduction

This chapter describes how the instrument works. First is a circuit overview and how it relates to the block diagram (Figure 5–1, next page). Following that are the separate sections of the instrument, discussed in detail.

The 1502B uses time-domain reflectometry techniques to detect and display the impedance characteristics of a metallic cable from one end of the cable. This is accomplished by applying a rapidly rising step to the cable and monitoring the resulting voltage over a period of time. If the cable has a known propagation velocity, the time delay to a particular reflection can be interpreted in cable distance. Amplitude of the reflected voltage is a function of the cable impedance and the impedance of the termination relative to the cable leading to it. The amplitude can be interpreted in rho or dB. Rho ( $\rho$ ) is a convenient impedance function defined as the voltage reflection coefficient. It is the ratio between the incident step and the reflected step. For the simple case of a cable with a resistive load:

$$\rho = \frac{R_L - Z_0}{R_L + Z_0}$$

Where:

$R_L$  is the load impedance, and

$Z_0$  is the characteristic impedance.

The 1502B instrument is comprised of several subsections, as shown in the block diagram (Figure 5–1). These are organized as a processor system, which controls several peripheral circuits to achieve overall instrument performance.

The processor system reads the front-panel control settings to determine the cable information that you selected for viewing. Distance settings are converted to equivalent time values and loaded into the timebase circuits.

The timebase generates repetitive strobe signals to trigger the driver/sampler circuits. Pulse strobes cause a step to be applied to the cable under test. Sample strobes causes a single sample of the cable voltage to be taken during a very short interval. The timebase precisely controls the time delay of the sample strobe relative to the pulse strobe. When many sequential samples are recombined, a replica of the cable voltage is formed. This sampling technique allows extremely rapid repetitive waveforms to be viewed in detail.

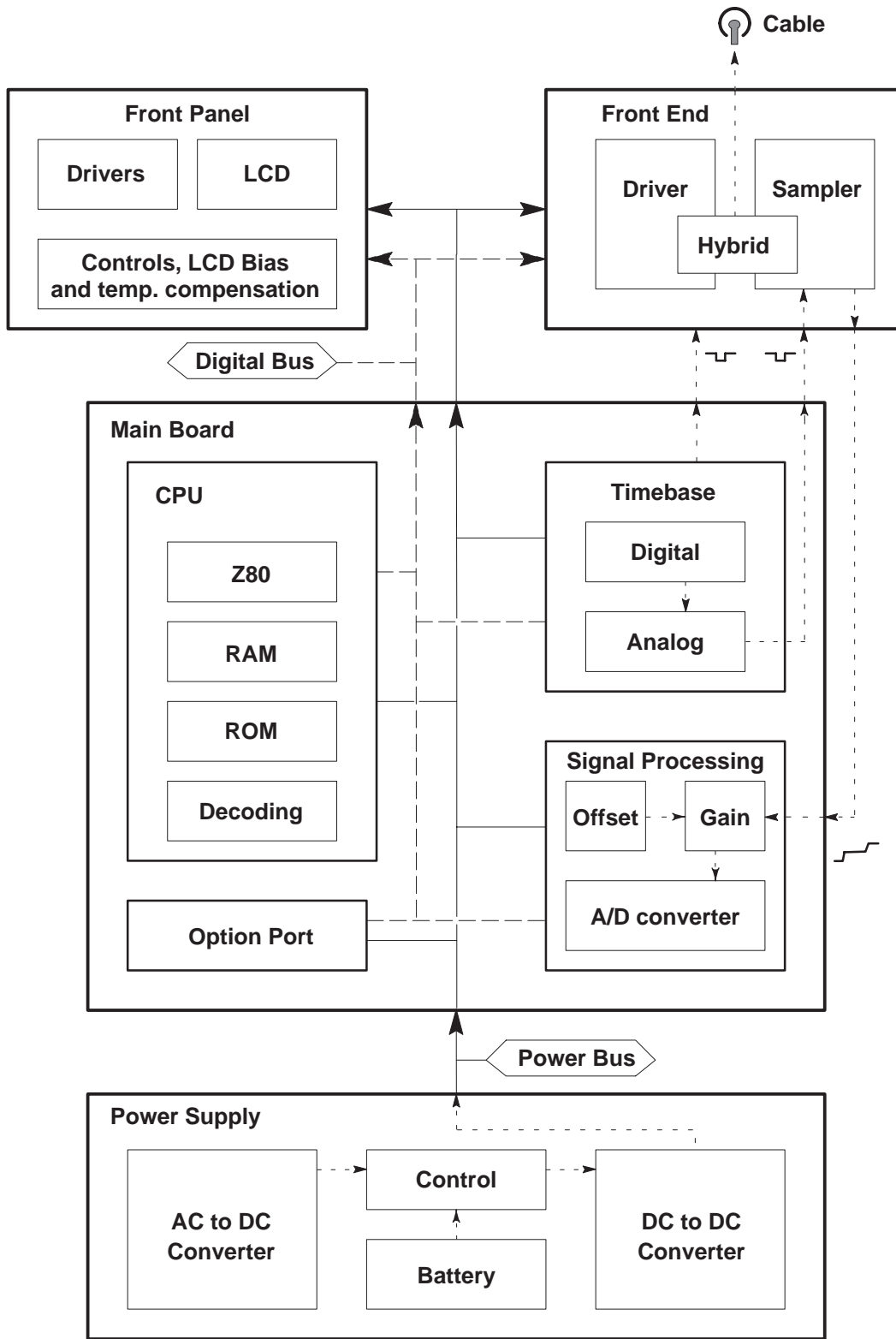
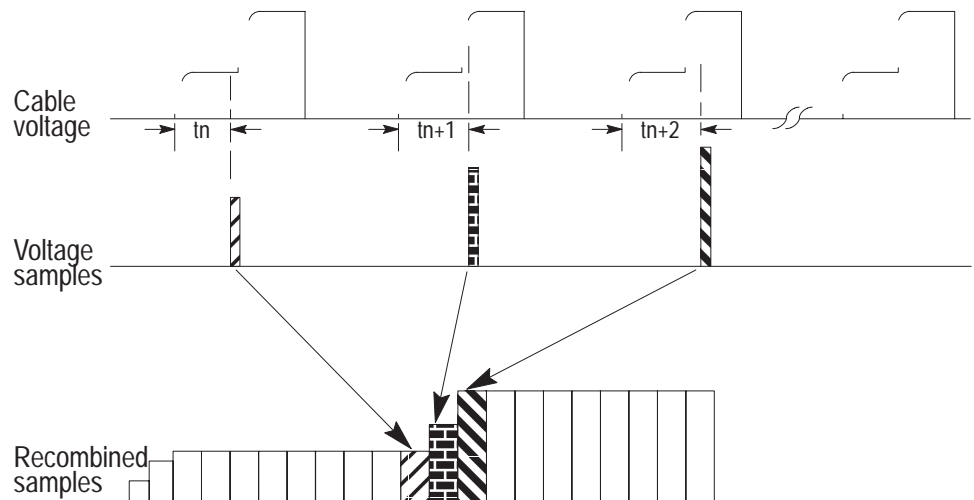


Figure 5-1: System Block Diagram

Referring to the waveforms in Figure 5–2, cable voltage waveforms are shown at the top. Each step is from the pulse generator and all steps are identical. At time delays ( $t_n$ ,  $t_{n+1}$ ,  $t_{n+2}$ , etc.) after the steps begin, a sample of the step amplitude is taken. Each of these samples is digitized and stored in the processor until sufficient points are accumulated to define the entire period of interest. The samples are then processed and displayed at a much slower rate, forming the recombined waveform as shown. This process allows the presentation of waveforms too rapidly to be viewed directly.



**Figure 5–2: Waveform Accumulation Diagram**

Voltage samples from the driver/sampler are combined with a vertical position voltage derived from the front-panel control, then amplified. The amplifier gain is programmed by the processor to give the selected vertical sensitivity. Each amplified sample voltage is then digitized by an analog-to-digital converter and stored in the processor memory.

When the processor has accumulated sufficient samples (251) to form the desired waveform, the samples are formatted. This formatted data is then transferred to the display memory. The display logic routes the data to each pixel of the LCD, where each digital data bit determines whether or not a particular pixel is turned on or off.

Between each waveform, samples are taken at the cursor location for the “ohms at cursor” function, and at the leading edge of the incident step for use by the timebase correction circuit.

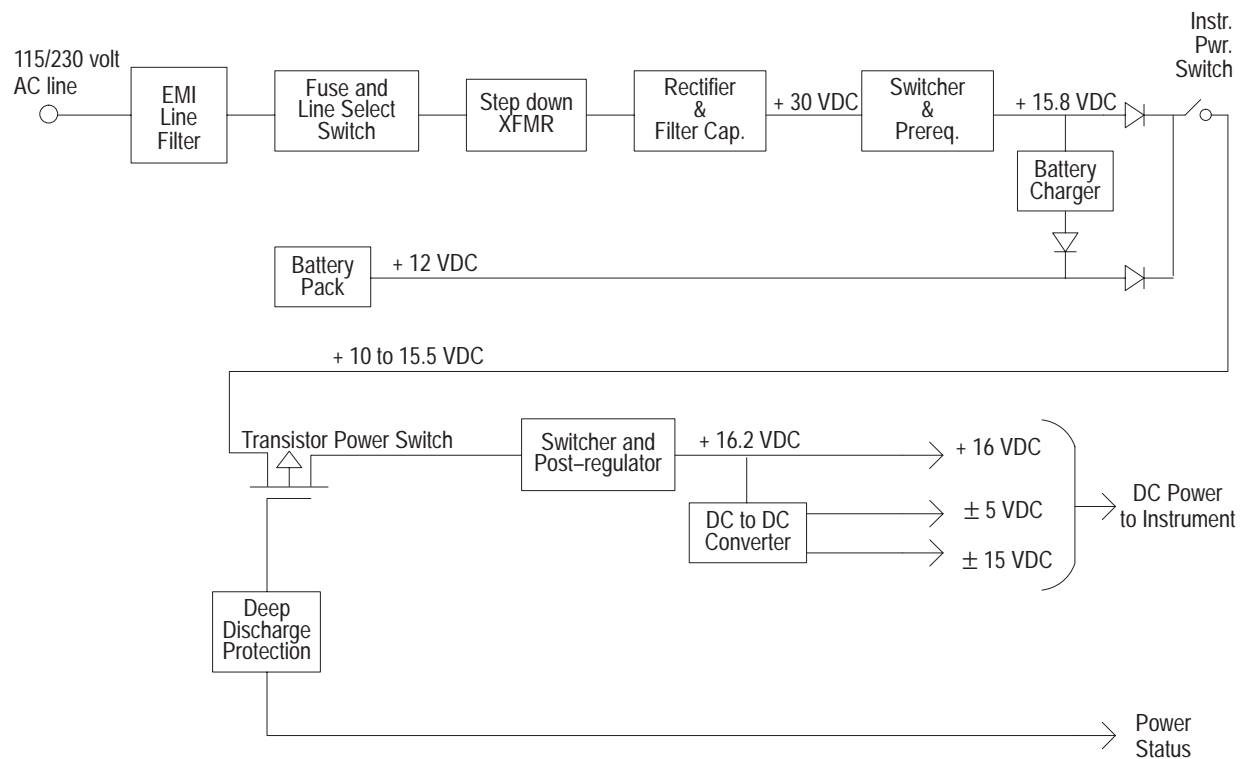
Cursor and readout display data is determined by the processor and combined with the formatted sample waveform before it is sent to the display.

## Power Supply

**Introduction** The power supply consists of the following:

- Primary Circuit
- Pre-regulator
- Battery Charger
- Deep Discharge Protection
- Port-regulator
- DC-to-DC Converters

The power supply converts either 115/230 VAC line power, or takes power from a nickel-cadmium battery pack, and provides the instrument with regulated DC voltages. A block diagram of the power supply is shown in Figure 5–3.



**Figure 5–3: Power Supply Block Diagram**

Single-phase AC line voltage is applied to the power supply module through a power plug with internal EMI filter. The filtered line voltage is immediately fused, routed through a line selector switch and applied to a stepdown transformer. The transformer secondary voltage is rectified and power switched to power the post regulator.

A switching pre-regulator reduces this voltage to +15.8 VDC and is used to power the battery charger. This voltage is also processed through a rectifier and power switch to power the post-regulator.

If a battery pack is installed, the battery charger operates as a current source to provide a constant charging current. Voltage limiting circuits in the charger prevent battery overcharge by reducing the charge current as the battery voltages approaches +12.5 VDC.

The battery pack consists of nine nickel-cadmium C-size cells, connected in series. This combination provides a terminal voltage of 10 to 12.5 VDC, with a nominal capacity of up to 2.0 Amp-Hours. It also is connected through a rectifier to the instrument's power switch and post-regulator.

When the power switch is closed, an FET power transistor is momentarily turned on by the deep discharge protection circuit. If the voltage to the post-regulator rises to +9.7 VDC or greater, the transistor switch remains on. If at any time, the voltage drops below +9.7 VDC, the transistor turns off and the power switch must be recycled to restart the instrument. This operation prevents discharge of the battery pack below +10 VDC. Such a discharge could cause a reverse charge in a weak cell, resulting in permanent cell damage.

The post-regulator is a boost switching regulator that increases its input voltage to a constant +16.2 VDC output. This voltage is supplied directly to the processor for large loads, such as the display heater, electroluminescent backlight, and options port. The post-regulator also supplies a DC-to-DC converter that generates  $\pm 5$  VDC and  $\pm 15$  VDC for use in the instrument.

Status signals indicating whether the instrument is running on AC line voltage or the battery pack, and if the battery pack is approaching turn-off level, are supplied to the instrument by the deep-discharge protection circuits.

### **Primary Circuit**

The AC line power is received by the connector in the EMI filter (FL1). This filter prevents high frequency signals generated in the instrument from being conducted back to the AC power line. The line voltage is fused (F101) and switched (S201) to the primary step-down transformer (T201). Both the switch and the fuse can be accessed from the outside of the instrument via covers on the rear of the cabinet.

The primary of T201 is wound in two identical sections. These sections are connected by S201 (in parallel for 110 VAC operation or in series for 220 VAC operation). The secondary of T201 is connected by a short two-wire cable to the Power Supply Board. The MOV (R101), across one of T201's primaries, protects the power supply if 220 VAC is applied while S2011 is in the 110 VAC position. Fuse F101 will open in this event.

### **Pre-Regulator**

The secondary voltage is full-wave rectified by CR1010 and filtered by capacitor C1010. The large value of this capacitor allows it to supply energy to the instrument between half cycles of the line voltage.

Integrated circuit U1010 is a pulse-width modulator switching regulator controller. It oscillates at approximately 70 kHz and provides drive pulses to switching transistors Q1010 and Q1011. The output pulses from these transistors are filtered to DC by flyback rectifier CR2010, choke L1010, and capacitors C2010 and C2012. The resulting +16.6 VDC is fed back to the regulator U1010 by voltage divider R1016 and R1015. It is then compared to a +2.5 VDC reference voltage from, U1011. To increase the output voltage, U1010 increases the pulse width of the drive to Q1010 and Q1011. To reduce the output voltage, U1010 decreases the pulse width to Q1010 and Q1011. This assures that a constant +16.6 VDC is maintained.

Resistor R1010 acts as a current sensing shunt in the pre-regulator return line. In the event that a circuit fault draws excess current, the voltage developed across R1010 (and filtered by R1011, R1012, and C1011) will cause U1010 to reduce the pulse width of the pre-regulator. This protects the pre-regulator from damage due to overload.

### **Battery Charger**

The battery charger consists of a linear regulator integrated circuit, U2010, and associated components. U2010 is connected as a current source, drawing current from the +15.8 VDC and supplying it to the battery through T2012. The voltage drop across T2012 is fed back to U2010 through diode CR2014 to control charging current at a nominal 150 mA. Diode CR2013 and voltage divider R2010 and R2011 provide a voltage clamp to U2010's feedback terminal to limit the maximum voltage that can be applied to the battery through CR2015. As the voltage R2012 and CR2015 approaches the clamp voltage, battery charging current is gradually reduced to trickle charge.

Rectifier CR2015 prevents battery discharge through the charger when AC line voltage is not present. Rectifier CR2012 allows the battery pack to power the instrument when AC power is not present.

### **Deep Discharge Protection**

Pre-regulator or battery voltage is applied to Q2011 and Q2012 when the instrument power switch is pulled on. The rising voltage causes Q2011 and Q2012 to turn on due to the momentary low gate voltage while C2011 is charging. During this time, voltage comparator U1020A compares the switched voltage to a +2.5 VDC reference from U1022. If the voltage is greater than +9.7 VDC, U1020A turns on, drawing current through Q2010 and R2015 to keep the gates of Q2011 and Q2012 near ground and the transistors turned on. If the voltage is less than +9.7 VDC (or drops to that value later), U1020A and Q2010 turn off, allowing C2011 to charge to the input voltage and turn off Q2011 and Q2012. When turned off, the deep discharge protection circuit limits current drawn from the battery pack to only a few microamperes.

## Post-Regulator

The post-regulator receives from +9.7 to +15.5 VDC and boosts it to +16.2 VDC by switching Q2022 on and off with a pulse-width modulated signal. When Q2022 is turned on, input voltage is applied across choke L2020, causing the current in L2020 to increase. When Q2022 is turned off, the stored energy in L2020 will cause the current to continue flowing through CR2021 to filter capacitor C2025. Due to its stored energy, the voltage developed across L2020 adds to the input voltage, allowing C2025 to be charged to a voltage greater than the input.

The switching of Q2022 is controlled by pulse-width modulator U1023. The post-regulator output voltage is fed back to U1023 through R1025 and R1024 and compared to the +2.5 VDC reference from U1022. Low output voltage causes wider pulses to be supplied to Q2022, storing more energy in L2020 during each pulse. This results in a higher output voltage. High output voltage, however, reduces pulse width and reverses the preceding process.

U1023 oscillates at approximately 80 kHz and supplies a synchronizing signal to the pre-regulator at that frequency when the instrument is operating on AC power. This raises the pre-regulator frequency to the same 80 kHz. This synchronization eliminates beat frequency interference between the two regulators.

The synchronizing signal from U1023 is also supplied to Q2021, where it is amplified to CMOS levels and buffered by gate U2030A. The signal is then used to clock flip-flop U1024B to produce a 40 kHz square wave output at Q and  $\bar{Q}$ . These square waves are buffered by other U2030 inverters and used to drive DC-to-DC transistors Q2030 and Q2031.

## DC-to-DC Converter

Transistors Q2030 and Q2031 apply push-pull power to the primary of T1030 at 40 kHz by switching the +16.2 VDC alternately between the primary windings. The resulting transformer secondary voltages are rectified and filtered by CR1034, C1032, C1033, and C1034 to produce +15 VDC and -15 VDC. Other secondary voltages are rectified and filtered by CR1030, CR1031, CR1032, CR1033, C1030, C1031, and C1037 to produce +5 VDC and -5 VDC.

Diodes CR2031 and CR2030 rectify the primary voltage and clamp it to the voltage level that is across C2031. This prevents voltage transients caused by the rapid switching of Q2030 and Q2031 and prevents the leakage inductance of T1030's primary from creating excessive voltage stress. R2030 provides a discharge path from C2031. T1031 and C1036 provide additional filtering of the +16 VDC supply.

# Processor System

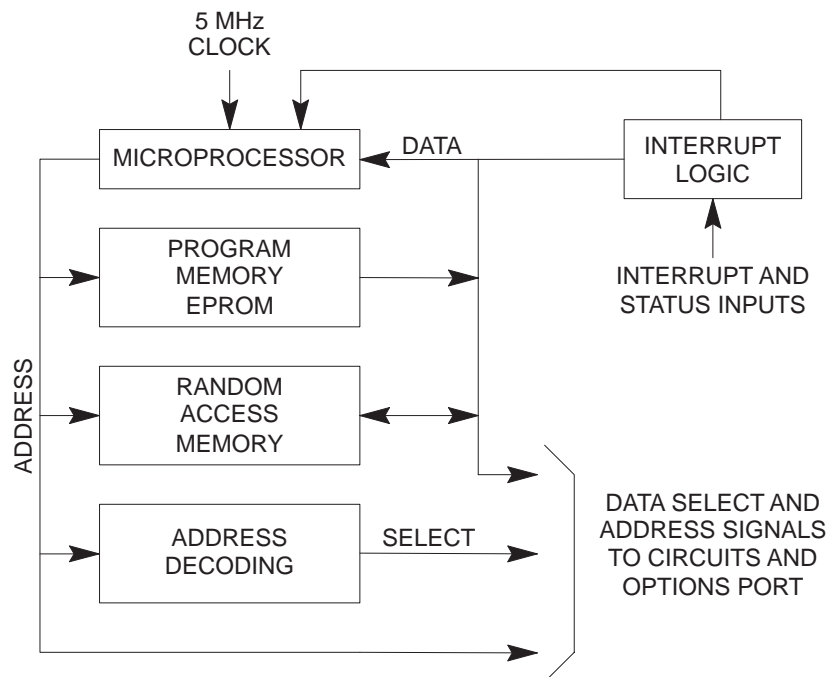
## Introduction

The processor system consists of the following:

- Microprocessor
- Address Decoding and Memory
- Interrupt Logic

The processor system provides control and calculation functions for the instrument. A block diagram of the processor system is shown in Figure 5–4.

An eight-bit microprocessor, clocked at 5 MHz, provides the processing capability in a bus-organized system. Instructions are read from the program memory EPROM and executed by the microprocessor to accomplish essentially all instrument functions. Random access memory is connected to the microprocessor through its data and address busses, allowing it to store and retrieve control, video, and display data, as required.



**Figure 5–4: Processor Block Diagram**

The processor communicates with all other instrument circuits via the address, data, and select signals, and receives requests for service from those circuits via the interrupt and status signals. Select signals are generated in address decoding circuits under control of the processor and used to read or write data from a circuit, or to trigger a circuit function. Interrupts from those circuits are combined in the interrupt logic to generate an interrupt request to the microprocessor. The processor responds by reading a data word from this logic to determine the source of the interrupt, or status data, and then performs the required service routine.

### Microprocessor

The microprocessor, U1023, is a single chip processor using Z80 architecture constructed in high-speed CMOS logic. Each data word, or byte, is eight bits wide and the microprocessor has a 16-bit address capability, allowing it to address up to 65,536 memory locations. The processor's 5 MHz clock is derived from a crystal oscillator in the timebase circuits.



When +5 VDC power is applied to C1030 and R1032, the rising voltage momentarily applies a positive signal to the input of gate U1031B. The resulting negative pulse at the gate output is supplied to U1023's reset input, causing the microprocessor to start at the beginning of its programmed routine each time power is applied.

### Address Decoding and Memory

The 16-bit address space of Z80 processor U1023 is divided into five primary areas. They are:

- Program Memory (EPROM) space
- RAM space
- Non-volatile RAM space
- Display RAM space
- Enable and Select Signal space

### Program Memory (EPROM)

The program memory is stored in 64-kilobyte (kb) EPROM U2020, which is divided into two 32-kb bank-switched halves. Both halves occupy locations 0000H to 7FFFH in the processor's address space. The most significant address bit on the EPROM, which determines which bank is addressed, is set by flip-flop U2030A. This bank-switching flip-flop can be toggled by the processor with two select lines, decoded in the enable and select signal address space. The select signal for the EPROM is generated by combined address line A15 with the MREQ signal in U1045A. Whenever the processor addresses a location where A15 is not set, the program memory will be selected to place data on the bus.

### RAM

The first RAM is eight-kilobyte memory U1021, selected by a signal generated by a 1-of-8 decoder, U1022. This decoder operates on the three most significant address bits (A<sub>15</sub>, A<sub>14</sub>, A<sub>13</sub>) in combination with MREQ. Each of its decodes represents a selection of a particular  $\frac{1}{8}$  th of addressable locations. The first four decode signals are not used because they are located in the program memory space. The fifth decode is the select signal for the first RAM, occupying locations 8000H to 9FFFH.

### Non-Volatile RAM Space

The second RAM is also an 8-kb memory, U1020, made non-volatile by lithium battery BT1010 and non-volatile memory controller U1010. The select signal for this RAM is generated similarly to that for the first RAM with the sixth  $\frac{1}{8}$  th decode of U1022. This decode occupies A000H to BFFFH.

### Display RAM Space

The display RAM is also an 8-kb memory, U1040, located in the display module. It is selected by the seventh decode of U1022. It occupies locations C000H to DFFFH.

### Enable and Select Signal Space

The remaining addressable space is used to generate enable, select, or trigger signals, which read, write, and control other circuits of the instrument. The eighth

$1/8$  th decode signal of U1022 is used to enable four other 1-of-8 decoders: U2021, U2022, U2024, and U2026. These four decoders are further selected by the four combinations of  $A_{12}$  and  $A_{11}$  and operate on  $A_{10}$ ,  $A_9$ , and  $A_8$  to generate the enable, select, and trigger signals CS00 through CS31. These occupy the remaining address space, locations E000H to FFFFH.

An automatic wait state is inserted for all circuits selected by U2022. The wait state is used by the processor to compensate for the slow access times of U2041, U2046, and U4020 on the Main Board; U2023 on the Front Panel Board; and U2040 on the display module. The wait request is generated by U1041.

The select signals from U2024 are also modified through U1043B by a 200-ns pulse. This pulse is created from gates U1042B, U1031C, U2040C, and J-K flip-flop U2033A. This circuit creates a write pulse that ends prior to the completion of the processor bus cycle, thus meeting data hold time requirements for some selected ICs.

### Additional Decoding

The most significant address bit on the EPROM is set or reset by bank-switching flip-flop U2023A. Another control signal, heat disable, is generated by a similar flip-flop, U2023B. This is also toggled by two select lines.

### Interrupt Logic

The interrupt logic consists of an eight-bit tri-state buffer, U1032, and gates U1030 and U1031D. Six interrupt requests signals are logically OR'd by U1030, then inverted by U1031D and applied to the microprocessor interrupt request input. Five of the interrupts are received from the video ADC, the digital timebase, a real-time counter, the front panel control ADC, and from the Option Port connector. The sixth interrupt input is unused.

The six interrupt requests and two power status signals are connected to pull-up resistors R1033 and the inputs of buffer U1032. When the microprocessor responds to an interrupt request, it selects U1032, allowing the eight inputs to that device to be placed on the data bus for reading.

The processor system outputs six control signals to the Driver/Sampler module. These signals are loaded from the data bus into latch U3010 by a select signal from the address decoder. These signals are used by the 1502B Driver/Sampler and the Option 06 adapter (if equipped).

## Option Port Interface

### Introduction

The option port interface consists of the following:

- Supply Controller
- Buffers
- Output Latch

The option port interface provides the connection between the processor system and external options. This port has a unique protocol that must be followed for proper and safe operation. Further information can be obtained by contacting your Tektronix customer service representative. A block diagram of the option port interface is shown in Figure 5–5.

The processor system provides all the data and control for the interface. Data, Address, and Control lines are all buffered for increased drive. The power to the option port is switchable to reduce power consumption, if necessary. The other outputs are available for control and protocol purposes.

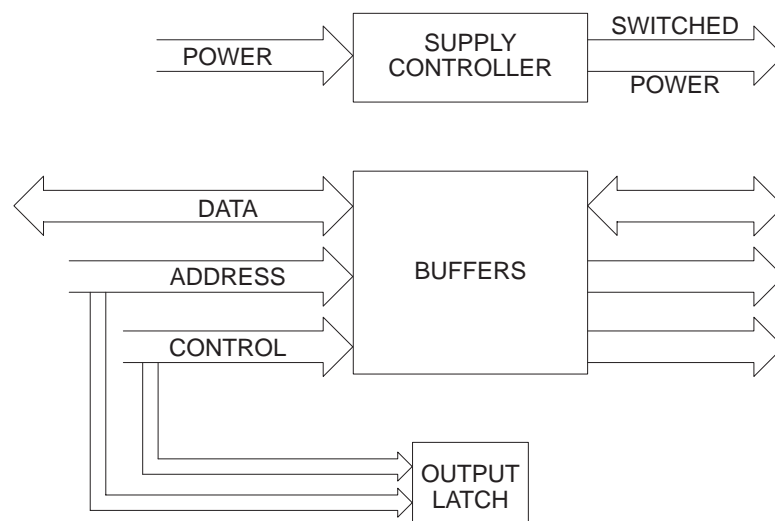


Figure 5–5: Option Port Interface Block Diagram

### Supply Control

The +16 VDC and +5 VDC power outputs to the option port are switched supplies controlled by the microprocessor system.  $\overline{CS14}$  and  $\overline{CS15}$  are used to set and clear flip-flop U1011B. This feeds comparators U1012A and U1012B. The positive (+) input to the comparators is set at 2.5 volts, so the CMOS flip-flop will drive the negative (–) terminals above and below that voltage level. The comparators are powered with a +16 VDC and a –12 VDC source to give a good output swing in controlling the FET switches.

The output of U1012A controls the +16 VDC switch and is pulled up via a 20 k $\Omega$  resistor, R2011. The output is also passed through two 100 k $\Omega$  resistors, R2012 and R2013, to prevent the FETs from being over-driven. Two parallel FETs, Q2011 and Q2012, control the supply.

To reduce the instantaneous draw from the instrument supply when first turning the switch on, capacitive feedback is used (C2016). This feedback slows the turn-on time, allowing a capacitive load to be charged without affecting the instrument supply. A stabilizing 100  $\Omega$  resistor, R2010, is also located in the feedback loop.

**NOTE.** There are specified limits to this type of circuitry. Load specifications must be followed.

The arrangement of the +5 VDC switch is similar except that a 10 kΩ to 100 kΩ resistive divider is used to ensure the switch has a definite turn-on. A single FET, Q1010, controls the +5 VDC output.

**Buffers** Data lines to the option port pass through the bus transceiver, U2011. Address lines  $\overline{RD}$  and  $\overline{WR}$  are driven by U2012. CS22, from the processor system, enables these drivers with  $\overline{RD}$  controlling the transceiver direction. U2012 outputs are pulled up by the switched +5 VDC supply, via R2015. The data lines are pulled down via R2014.

$\overline{WR}$  is a modified write pulse 200 ns long, created to give a rising edge prior to the disabling of the drivers. This pulse is created by flip-flop U2033A.

**Output Latch** The output latch U1011A is controlled by  $A_0$  and  $A_1$ , with select signal  $\overline{CS10}$ . The output of this latch is optionally used in the interface protocol.

Two more lines are used in the option port interface.  $\overline{IR4}$  is an interrupt signal that is active low when creating processor interrupts. R-T TRIG is also available at the interface. This is the trigger pulse generated in the analog timebase.

**Option Port Wiring Configuration**

Label	J2010 (on Main Board)	Option Port (D-Connector)
D <sub>0</sub>	3	2
D <sub>1</sub>	1	1
D <sub>2</sub>	24	25
D <sub>3</sub>	22	24
D <sub>4</sub>	20	23
D <sub>5</sub>	18	22
D <sub>6</sub>	16	21
D <sub>7</sub>	14	20
A <sub>0</sub> '	12	19
A <sub>1</sub> '	10	18
A <sub>2</sub> '	8	17
A <sub>3</sub> '	6	16
$\overline{RD}$ '	7	4
$\overline{WR}$ '	5	3
$\overline{CS22}$	9	5

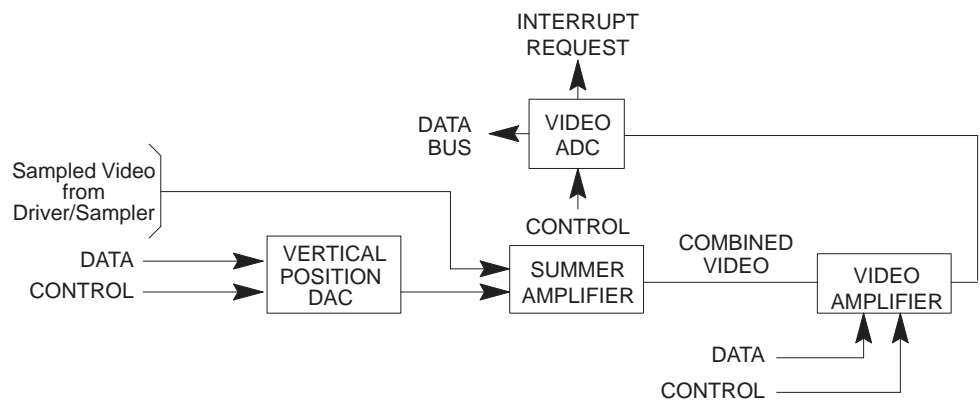
Label	J2010 (on Main Board)	Option Port (D-Connector)
$\overline{IA}$	11	6
$\overline{IR4}$	13	7
R-T $\overline{TRIG}$	2	14
SW+16	25	13
	23	12
+16 <sub>RTN</sub>	21	11
	19	10
SW+5	17	9
+5 <sub>RTN</sub>	4	15
	15	8

## Video Processor

**Introduction** The video processor system consists of the following:

- Vertical Position DAC
- Summing Amplifier
- Video Amplifier
- Video DAC

The video processor receives sampled video from the driver/sampler and outputs a digitized video signal to the processor system data bus. A block diagram of the video processor is shown in Figure 5–6.



**Figure 5–6: Video Processor Block Diagram**

Vertical position information is loaded by the processor system into a DAC to generate a DC signal. Sampled video is combined with this vertical position DC voltage in a summing amplifier in order to allow vertical positioning of the displayed waveform.

The combined video and position signal is amplified by the user-selected gain in the video amplifier. Gain of the amplifier is set by the processor system via the data bus and video amplifier select signal.

The amplified video is digitized by the video ADC upon receipt of a control signal from the processor system. The processor is notified by the ADC interrupt request when the conversion has been completed. The processor then reads the value via the data bus.

### **Vertical Position DAC**

The vertical position DC voltage is generated by a digital-to-analog converter consisting of U2046 and U3041. DAC integrated circuit U2046 receives a +2.5 VDC reference voltage from U3040 and multiplies it by a 14-bit digital value loaded from the data bus under control of the processor. The resulting current output of U2046 is amplified by operational amplifier U3041 to a proportional voltage of zero to -2.5 VDC.

### **Summing Amplifier**

The summing amplifier consists of operational amplifier U8041; input resistors R8044, R8046, and R8047; and a feedback resistor, R8045. Summation of the DAC output through R8047 with the +2.5 VDC reference through R8046 causes the vertical position signal range to be enlarged and shifted to achieve an effective output of -2.5 VDC to +2.5 VDC.

Sampled video, through R8044, is summed with the vertical position signal at the input node of U8041. Resistor R8045 determines the gain of U8041 and is paralleled with C8040 to reduce high frequency gain for noise reduction. The sampled video input may be observed at TP9041.

### **Video Amplifier**

Combined video from the summing amplifier is further amplified by a three-stage programmable video amplifier.

The first stage of this amplifier consists of amplifier U7040, voltage divider T8040 through R8043, and analog multiplexer U8040. Voltage gains of 0, 16, 32, or 48 dB are achieved by switching U8040 to connect one of the four points from the resistive voltage divider to the inverting input of U7040. This causes the amplifier gain to be equal to the attenuation factor of the voltage divider point selected.

The second stage consists of amplifier U5040, voltage divider R6040 through R6047, and analog multiplexer U6040. This stage operates similar to the first stage except eight voltage gains are provided from 0 to 14 dB in 2-dB steps.

The third stage consists of amplifier U3042, voltage divider T4040 through R4047, and analog multiplexer U4040. This stage operates similar to the first and second stages except eight voltage gains are provided from 0 to 1.75 dB in 0.25-dB steps.

Gain of each of the three amplifier stages is controlled by the processor system by loading latch U2044 with the appropriate 8-bit word from the data bus. Digital word

00 (all 0s) selects 0 dB gain and word FF (all 1s) selects 63.75 dB gain. All intervening values of 0.25 dB multiples are similarly chosen.

The output of the video amplifier is filtered by R2040 and C2043 for noise reduction, then sent to the analog-to-digital converter. The output may be observed at TP4040 (see Figure 5–7).

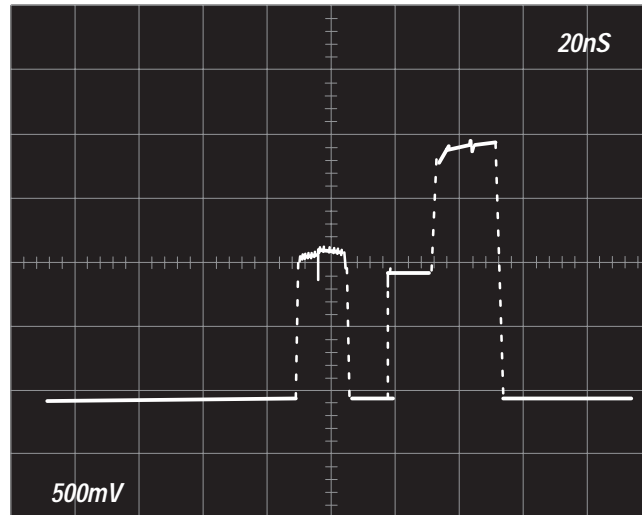


Figure 5–7: Video Processor Output

### Video Analog-to-Digital Converter

The output of the video amplifier is converted to its digital equivalent value by ADC device U2041. The conversion is done using successive approximation technique to compare the video voltage to the +2.5 VDC reference from U3040. The device is clocked by a 1.25 MHz clock derived from the timebase oscillator, and completes its 12-bit plus sign conversion in approximately 100  $\mu$ s.

Gate U2040 provides an OR function for the ADC start conversion trigger and read pulses from the processor system. Either pulse selects the ADC for control and concurrent pulses select the trigger ( $\overline{WR}$  input) or read ( $\overline{RD}$  input) functions.

Upon completing a conversion, the processor system is notified by an interrupt request ( $\overline{IR0}$ ) from U2041.

## Timebase

### Introduction

The timebase circuits receive video sample time delay values in digital form from the processor system and generate precisely timed strobes to the driver/sampler circuits. Digital counters determine the delay in 50 ns multiples, and analog circuits further define the delay to fractions of that period. A block diagram of the timebase circuits is shown in Figure 5–8 (next page).

The digital portion of the timebase contains a clock generator that develops all frequencies used in the instrument electronics.

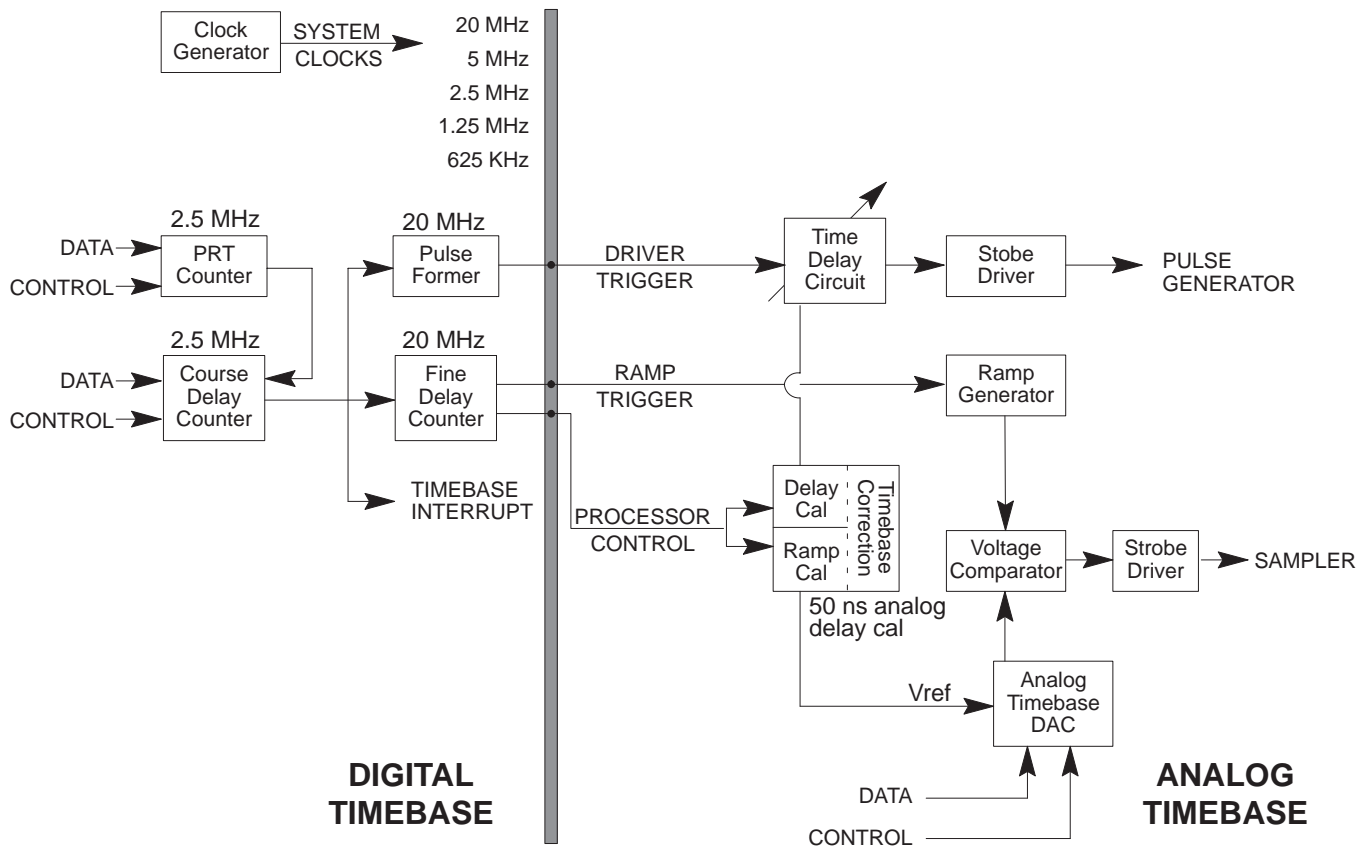


Figure 5-8: Timebase Block Diagram

A programmable digital counter, clocked at 2.5 MHz, is used to determine the PRT (pulse repetition time) of the driver/sampler test pulse. The 1502B is programmed with a PRT of 350  $\mu$ s. The output of the PRT counter is used to trigger a delay counter, also clocked at 2.5 MHz, to provide coarse (400-ns resolution) digital time delay. The end of this time delay triggers a fine delay counter, which is clocked at 20 MHz, providing 50-ns resolution to the sampler time delay. Both the coarse time delay and the fine delay counters are programmed by the processor via the data bus. The end of the coarse delay is used to generate a timebase interrupt request to the processor to inform it that a sample is being taken and a timebase update is required for the next sample.

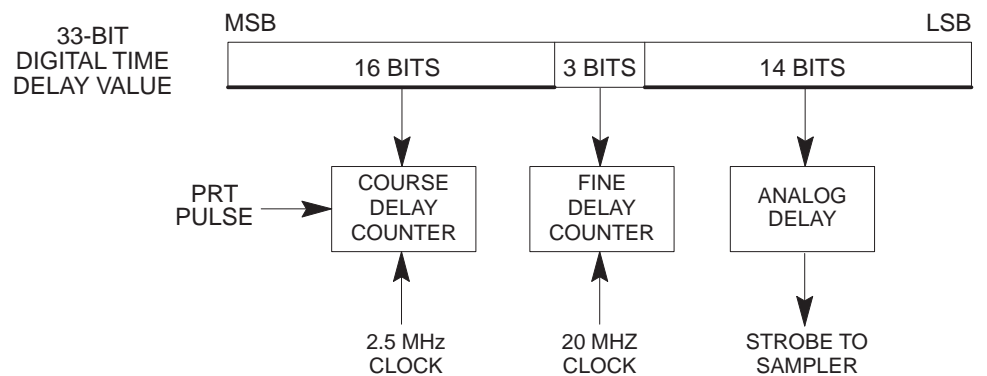
The output of the fine delay counter is provided to the analog timebase circuits for further delay control to become the sampler trigger. The beginning of the coarse delay counter period is detected by a pulse former, which generates a driver trigger for the analog timebase.



The analog timebase circuits receive the driver and sampler triggers and provide strobes to the driver/sampler. The driver trigger is delayed by an analog time delay and amplified by a driver circuit to provide the driver strobe.

The ramp trigger is used to start a linear voltage ramp generator. A voltage comparator detects the time when this ramp reaches the programmed voltage of the timebase DAC (digital-to-analog converter) and signals a driver to produce a strobe for the video sampler. The timebase DAC is programmed by the processor to provide a voltage proportional to the portion of the 50-ns time delay period desired.

Timebase control by the processor system is shown in Figure 5–9. Each period of the pulse rate, the processor calculates a new 33-bit digital time delay value for the next sample to be taken. The sixteen most significant bits of this value are loaded into the coarse delay counter, causing it to count that number of 2.5 MHz clock periods before starting the fine delay counter.

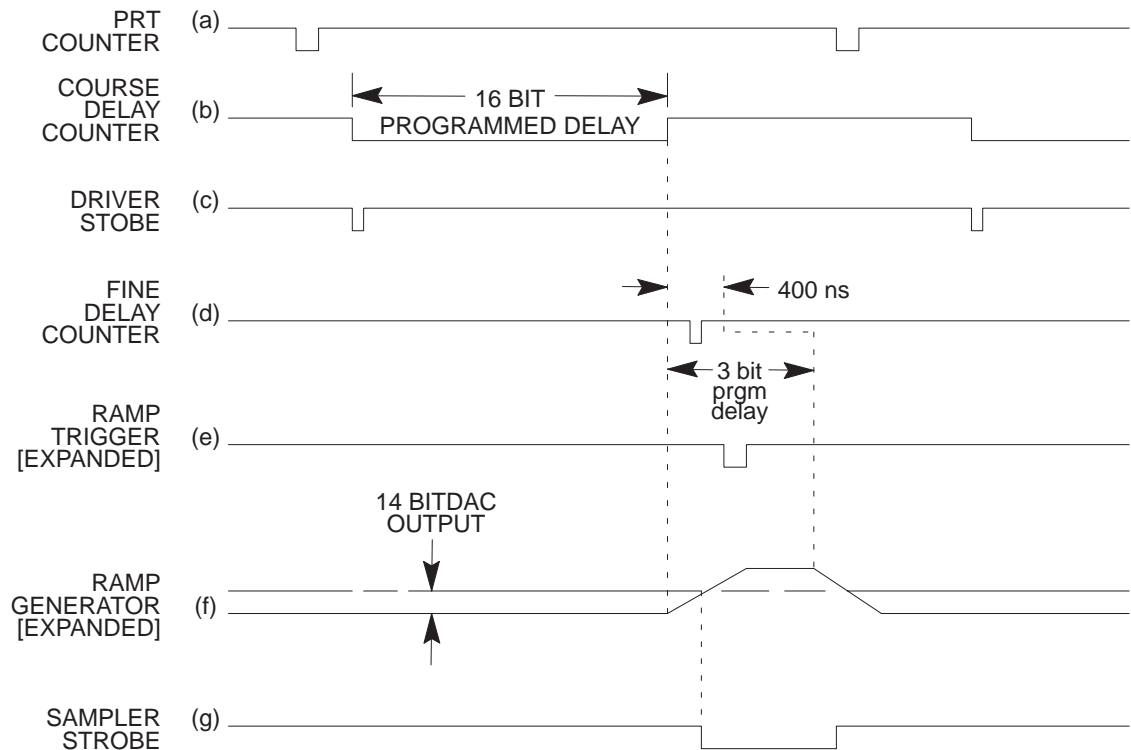


**Figure 5–9: Timebase Control**

The next three bits from the processor time delay value are loaded into the fine delay counter. This counter starts at the end of the coarse delay, and counts the selected number of 20 MHz clock periods (0 through 7) before triggering the analog delay.

The analog delay circuit receives the 14 least significant bits of the time delay word. A digital-to-analog conversion provides a proportional voltage, which is compared to a linear voltage ramp to produce the programmed time delay (0 to 50 ns).

The timing diagram in Figure 5–10 (next page) shows the combined effects of the three time delays. The output of the PRT counter, waveform (a), begins the coarse delay (b). The falling edge of this signal triggers the driver strobe (c), which causes a pulse to be applied to the cable test output.



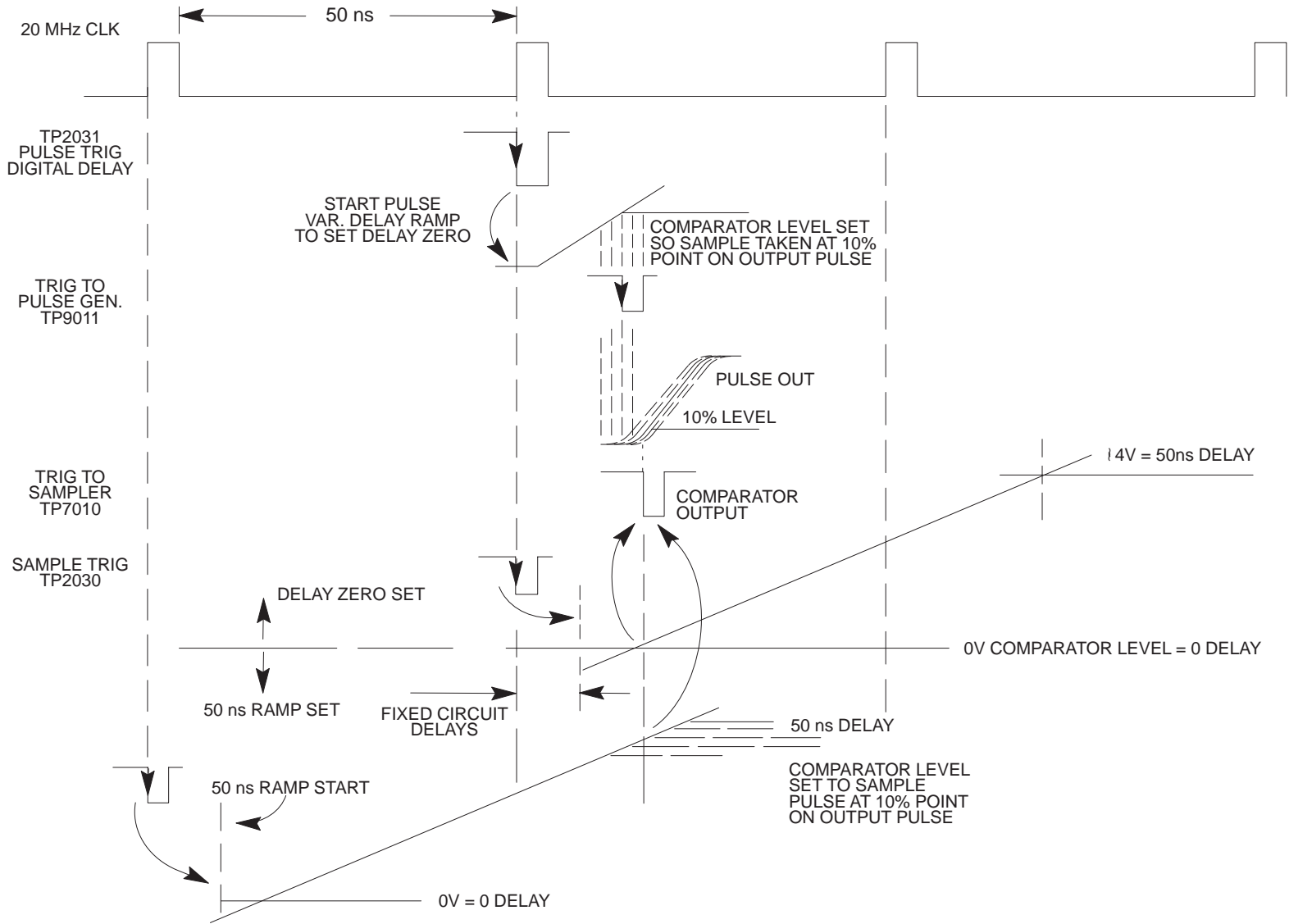
**Figure 5-10: Combined Effects of Time Delay**

At the end of the coarse delay, the rising edge of this signal enables the fine delay (d), which produces a single ramp trigger pulse after the programmed delay. This pulse is shown expanded in waveform (e). The ramp generator waveform (f), also shown expanded, has a linear voltage ramp beginning on the falling edge of the trigger. This voltage is compared to the voltage from the timebase DAC, such that when the ramp exceeds the DAC voltage, the sampler strobe (g) falls. This falling edge is used as the sampler strobe for video sampling.

At the beginning of each sweep, the zero distance reference is calibrated to the front-panel connector and the length of the analog ramp to 50 ns.

Zero distance reference is calibrated by setting the digital and analog timebase for zero delay. Then the processor adjusts the driver delay so as to sample at the 10% point of the pulse. The ramp is calibrated by removing 50 ns of delay (one 50-ns clock cycle) from the sample trigger and then reinserting it with the analog delay. The processor adjusts the reference for the timebase DAC so as to sample at the previous level. This matches the analog delay to the 50-ns period of the clock.

Figure 5-11: Calibration of Delay Zero and 50-ns Analog Delay



**Digital Timebase**

All digital clocks from the instrument are derived from a 20 MHz crystal oscillator, U2031. Flip-flops U2042A and U2042B divide the clock frequency to 10 MHz and 5 MHz respectively. The 5 MHz output is provided to the microprocessor and to TP2041.

Gate U2034B decodes one of the four states of U2042 and provides a 5 MHz pulse to U2033B. Flip-flop U2033B is clocked by the 20 MHz clock and divides the 5 MHz signals to 2.5 MHz synchronously with the 20 MHz. The 2.5 MHz clock is further divided to 1.25 MHz by U2025A and 625 kHz by U2025B.

The PRT, coarse delay, and real-time counters are contained in a triple, 16-bit, programmable counter device, U2030. The PRT and coarse delay counters are clocked at the 2.5 MHz rate. The output of the PRT counter, pin 10 of U2030, is applied to the trigger input of the coarse delay counter as a start-count signal. The negative-going pulse from the coarse delay counter, pin 13 of U2030, is input to a two-stage shift register, U2032C and U2032D. This shift register is also clocked at 2.5 MHz and serves to delay the signal and reduce its skew relative to the 20 MHz clock. The  $\overline{Q}$  (inverted output) of U2032C is a positive-going pulse that is supplied to a three-stage shift register, U2036B, U2036D, and U2036A, which is clocked at 20 MHz from inverter U2034A. The leading edge of the pulse is decoded by NAND gate U2045B, which also ANDs the signal with the 20 MHz clock from inverter U2045A. The resulting driver trigger pulse is a negative-going pulse of nominally 25 ns width. The falling edge of this pulse is determined by the edge of the 20 MHz input to gate U2045B and is used as the driver trigger.

The coarse delay pulse from shift register U2032D and U2032C is decoded by NOR gate U2034C to detect the pulse rising edge (end of the negative pulse). The resulting positive pulse is 400 ns wide (one cycle of the 2.5 MHz clock). This pulse is shifted through flip-flop U2036C to synchronize it with the 20 MHz clock and applied to the count enable input of U2037, a four-bit programmable counter.

Counter U2037 will have been preset to a count of 8 through 15 by the processor through latch U2043 with  $\overline{CS11}$ . While the count enable pulse is present, it will count exactly eight times at the 20 MHz rate, thus passing through count 15 after 0 through 7 clock pulses. The terminal count (TC) output of U2037 is a decode of count 15. Thus this signal creates the fine delay pulse after the programmed delay. This positive-going pulse is gated with the 20 MHz clock by NAND gate U2045C to provide a 25 ns negative-going pulse for the ramp trigger. Ramp timing is derived from the trigger falling edge.

The end of the coarse delay, detected by gate U2034C, is used to clock U2027A, which generates an interrupt request to inform the processor that a sample is being taken. An acknowledge pulse,  $\overline{CS16}$ , from the address decoder resets this flip-flop.

**Analog Timebase**

The logic level driver trigger from the digital timebase is first amplified by transistor stage Q9021. The trigger is capacitively coupled through C8022 and R9027 to shift it to analog levels. The collector of Q9021 is clamped to -0.5 VDC between pulses by CR8020 and rises to +6 VDC peak during the 25 ns pulse. This signal is applied

to C8021 through R8025 to generate an exponentially rising pulse of about 4 VDC peak during the pulse width.

Dual transistor Q8020 is a differential amplifier that is used as a voltage comparator to detect when the pulse on C8021 has reached the DC voltage level set through U4021B and R8023 by the zero-distance calibration circuit. This DC voltage level, from zero to 4 VDC, allows setting the time when the voltage comparator switches (a range of about 20 ns). Dual transistor Q9020 is connected as a current source, providing a constant 2-mA bias to the emitters of Q8020. Between pulses, this current flows through Q8020B. When the exponential pulse reaches the adjustable voltage level, the current is rapidly transferred to Q8020A, causing a negative-going pulse at R8020. This pulse is coupled to the output stage, Q9010, through C9020 and R9020. Transistor Q9010 is biased to 0.5 mA between pulses to obtain fast turn-on, and provides a positive-going 5 VDC pulse to U8010B and U8010C. Flip-flop U7010A is set or reset by the processor to steer the pulse either to the option port or the driver. The negative-going pulse from gate U8010B or U8010C is logically OR'd by U8010A, then applied to C9010 and R9010. This pulse is fed back to the input of the gates U8010B and U8010C through CR9010 to obtain a one-shot action, which stretches the driver strobe pulse width to 5  $\mu$ s. The driver strobe is made available at TP9011.

The ramp trigger pulse from the digital timebase is AC-coupled by C3040 and R3041 to Q4040. Diode CR3031 allows the negative-going pulse to pass directly, while R3040 limits the input current due to the re-charging of C3040 between pulses. The output of Q4040 is held at ground by L5030 between pulses and rises to 6 VDC during the pulse. Choke L5030 is center tapped to provide an equal negative-going pulse at its undriven end. This pulse is fed through C5033 and R4032 to the emitter of Q4031 to obtain positive feedback to Q4040. This forms a one-shot circuit with the pulse width determined by C5033 and R4032. The 25 ns ramp trigger pulse is thus stretched to about 80 ns at L5030.

Dual transistor Q5032 operates as a current source, providing a constant 5-mA current, which is used to charge C5032 to create a linear voltage ramp. Between ramp trigger pulses, this current is conducted through CR4032 and L5030 to ground, creating a voltage of 0.5 VDC on C5032. The positive one-shot pulse from Q4040 turns off CR4032 and directs the charging current to C5032. The negative-going pulse from L5030 is connected to C5032 through CR5030 to provide a cancelling effect for the positive pulse being coupled through the capacitance of CR4032.

The linear rising voltage pulse from C5032 is buffered by source-follower Q5031 and emitter-follower Q5030 to provide a low output impedance and prevent loading the ramp. Transistor Q7030 provides a constant 2-mA bias current to junction FET Q5031.

The ramp voltage is AC-coupled to voltage comparator Q7021 by C7030 to remove the DC offset voltage developed in the preceding circuits. A small negative DC voltage of approximately  $-200$  mV is added by voltage divider R7032 and R7025 to hold the voltage comparator off between pulses.

Voltage comparator Q7021 is biased at 2 mA by dual transistor Q5020. During the linearly rising ramp voltage, it compares the ramp to a programmed DC sample reference voltage produced by the timebase DAC circuit. When the ramp reaches the sample reference value, Q7021A rapidly turns on to produce a negative-going signal across R7024. This pulse is coupled through C7022 and R7021 to turn on Q6020, providing a positive pulse to the base of Q7020. The negative-going sampler strobe coming from Q7020 is supplied to the sampler and to TP7010.

Timebase DAC U4020 and amplifier U5010 inverts and multiplies  $V_{REF}$  by the 14-bit digital word loaded by the processor. It is filtered for noise by R7026 and C5023 and connected to comparator Q7021 through R7027 to set the analog delay (0 to 50 ns).

To calibrate the analog delay to 50 ns, the processor sets  $\overline{IR2}$  (IR2 high) and loads a new 12-bit word in latches U3021 and U3022 (max 1-bit change per sweep) with chip selects  $\overline{CS11}$  and  $\overline{CS12}$ . DAC U3023 multiplies the reference current (1 mA set by R3020) by the digital word from the latches. The DAC output current and the current from the last two LSBs (which comes from the latches through R3031, R3033, R3039, and R4020) are summed by U4021A and forced through R4021. This develops a correction voltage at TP4020 of  $\pm 5$  VDC and a sensitivity of 2.5 mV per bit (the currents from the LSBs have been complimented by the processor to correct their phase). The DAC circuit is designed to nominally run at half of full dynamic range (2048/4096) of 2 mA, that generate 1 mA of current at the summing node. That current is balanced out by 1 mA of current from R4020, giving a nominal output of zero volts at TP4020 and TP4021.

U5020, R5020, R5021, and C5021 scale the correction signal (up to  $\pm 5$  VDC) at TP4020 to  $\pm 0.4$  VDC at  $V_{REF}$  of U4020. Resistors R5023 and R5022 furnish a current to offset  $V_{REF}$  to a  $-4$  VDC  $\pm 0.4$  VDC (equivalent to  $\pm 5$  ns) correction signal to the 50 ns analog delay.

To calibrate, the zero-distance delay ( $\overline{IR2}$ ) is set low, and through R3037 and CR3030, turns on Q3030, whose collector (through R3036 and R3035) raises the cathode of CR4030 to +6 VDC. This allows R4023 to turn on Q4030. Capacitor C4022, through R4030 and Q4030, is charged to the new corrected level at TP4020 that was asked for by the processor. The correction voltage on C4022 from buffer amplifier U4021B is scaled by voltage divider R8023, R8022, and R8021 from a range of  $\pm 5$  VDC to a range of zero to 3.5 VDC. This voltage is applied to the base of comparator Q8020B, which provides  $\pm 10$  ns of zero-distance delay adjustment. Components C3048, R3042, R2032, C3047, R2034, and C8024 are used to reduce jitter and cross-coupling between circuits.

## Elapsed Time Indicator

(SN <B020511 only)

An elapsed time indicator, M1030, is provided to measure the cumulative time the instrument has been turned on. A small bead travels in the indicator as current flows through it, indicating the time during which the instrument has been operating (from

zero to 5,000 hours). After the bead has reached 5,000 hours, the indicator may be replaced, or simply removed and installed backwards, in which case the bead will travel from 5,000 to zero hours and would have to be read backwards (see *Maintenance* chapter).

## Driver/Sampler

### Introduction

The front-end consists of:

- Hybrid Sampler/Step Generator
- Second Sampler
- First Sampler Bridge Bias Generator
- Trigger Pulse Shapers
- Power Supply Conditioning

The function of this board is to generate the step test signal and to sample and hold the reflections from the cable under test. A block diagram of these circuits is shown in Figure 5–12 (next page).

Most of the primary active circuitry is located within the hybrid. The balance of the Driver/Sampler Board is dedicated to interfacing with the rest of the instrument.

The step generator is triggered by a negative pulse from the Main Board. One of the trigger pulse shapers stretches this to 25  $\mu\text{s}$  to set the length of the output step. The 0.6 V adjustable power source sets the “on” voltage for the output step.

The sampler is also triggered by a negative pulse from the Main Board. Inside the hybrid, this trigger causes the strobe generator to apply 50-ps pulses to turn on the bridge, capturing a portion of the input waveform. This sample is stored outside the hybrid in the second sampler to reduce droop rate. The stored signal goes two places: back to the Main Board as the video output, and to the bridge bias circuit, which holds the sampling bridge off between samples.

### Second Sampler

The video signal from the hybrid is sent to the second sampler. The second sampler reduces the droop rate to about 1 LSB/ms. This is accomplished by buffering the signal through U2050B and storing it in C2053 via the FET switch, Q1060. The FET is strobed by the one-shot U3030B for 5  $\mu\text{s}$  after the sample is taken. The voltage stored on C2053 is buffered by op-amp U2050A, then inverted and amplified by U1050A. The strobe signal for the FET can be observed at TP2060, and the inverted video output at TP1060. The signal from the second sampler buffer, U2050A, is also fed to the bridge bias amp, U1070, via R1060.



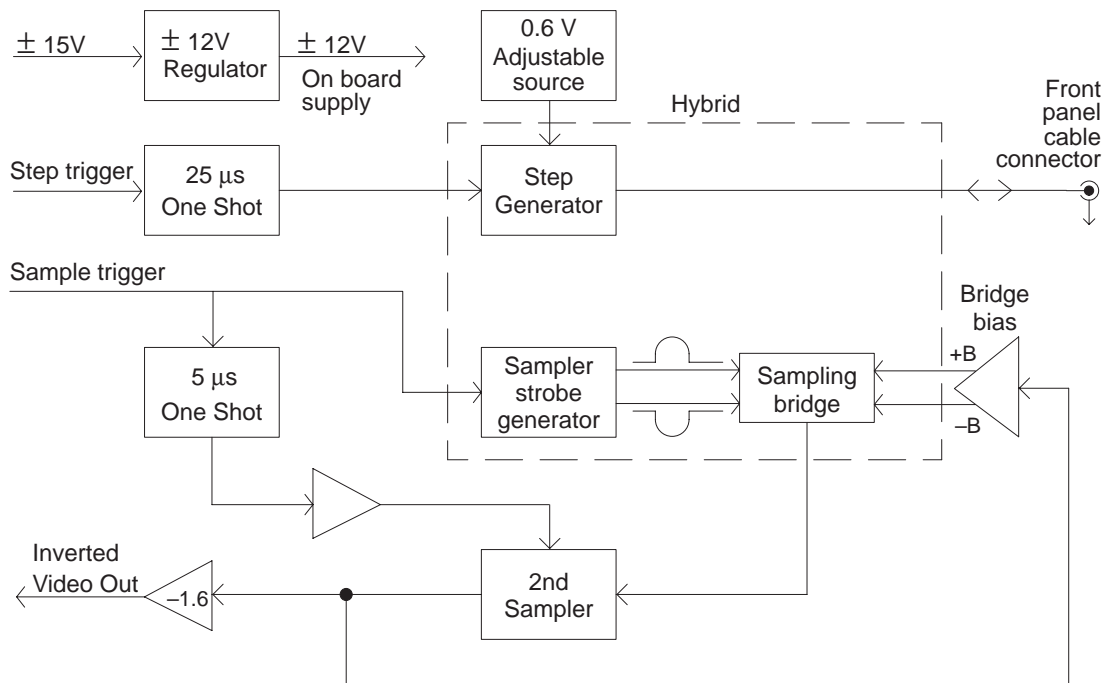


Figure 5-12: Driver/Sampler Block Diagram

### Bridge Bias

The bridge bias for the first sampler is set by U1070. With a zero voltage input signal, the circuit holds  $\pm 2.0$  V on the bridge inputs. As the input signal moves, the 4 V window also moves to stay centered around it. This centering is accomplished by feeding part of the output of U2050A into the bridge bias circuit. The outputs of the bridge bias circuit are available on TP1020 and TP1021.

### Trigger Pulse Shapers

There are two incoming triggers: the sample and the step. Both require modification before they are usable by the hybrid. The sample trigger is a 30-to-50-ns negative TTL signal. This pulse is buffered by Q2030, then coupled to the hybrid through T1020. This provides a differential drive that can have common-mode voltage on it. The sampler pulse is also stretched to 5  $\mu$ s by U3030B to strobe the second sampler. The step trigger, GEN TRIG, is a 3-to-5- $\mu$ s negative TTL signal, stretched to the proper 25  $\mu$ s pulse length by U3030A. CR3020 and CR3021 provide a logic OR of the incoming signal and the output of the one-shot. This prevents the introduction of jitter on the trigger signal. The OR output can be observed at TP3020.

### Power Supply Conditioner

There are seven power supplies for the hybrid:  $\pm 5$  V<sub>S</sub>,  $\pm 5$  V<sub>P</sub>,  $\pm 12$  V, and +0.6 V. The  $\pm 5$  V supplies come on board as 5 V, so they require no regulation, but are merely filtered before being used by the hybrid and the board. The  $\pm 12$  V supplies enter the board as  $\pm 15$  V, so the necessary filtering and regulation is accomplished by U3070 and associated circuitry. The +0.6 V supply is used by the hybrid to set



the output step height. It is referenced to the +5 V supply and controlled by U1050B and Q1030.

The +0.6 V supply is adjustable via R1042 to allow the offset of the step generator to be zeroed out. CR1040 temperature compensates the +0.6 V supply against variations in the hybrid. The test points for these supplies are as follows:

+5 V	TP1083
-5 V	TP1084
+12 V	TP1080
-12 V	TP1081
+0.6 V	TP1030
Ground	TP1082

## Front Panel

**Introduction** The Front Panel Board consists of the following circuits for these controls:

- Push Button Switches and Latches
- Rotary Binary Switches
- Resistive Shaft Encoders
- Analog-to-Digital Converter for Shaft Encoders

The Front Panel Board consists of the following circuits for the display module:

- Electroluminescent Backlight Switch and Power Supply
- Display Heater Circuitry
- Display Drive Voltage (Contrast) Temperature Compensation

The Front Panel Board contains most of the instrument control as well as some circuitry for the display module. A block diagram of the Front Panel Board is shown in Figure 5-13 (next page).

### Push Button Switches and Latches

The push button switches are normally open momentary switches. When depressed, these switches tie the inputs of NOR gate latches U3021, U3022, and U3023 to +5 VDC, setting the latches. The latches are reset by control signal ADCRD. The processor updates the instrument configuration by periodically reading the state of the latches through multiplexers U2024, U3025, and U3031.

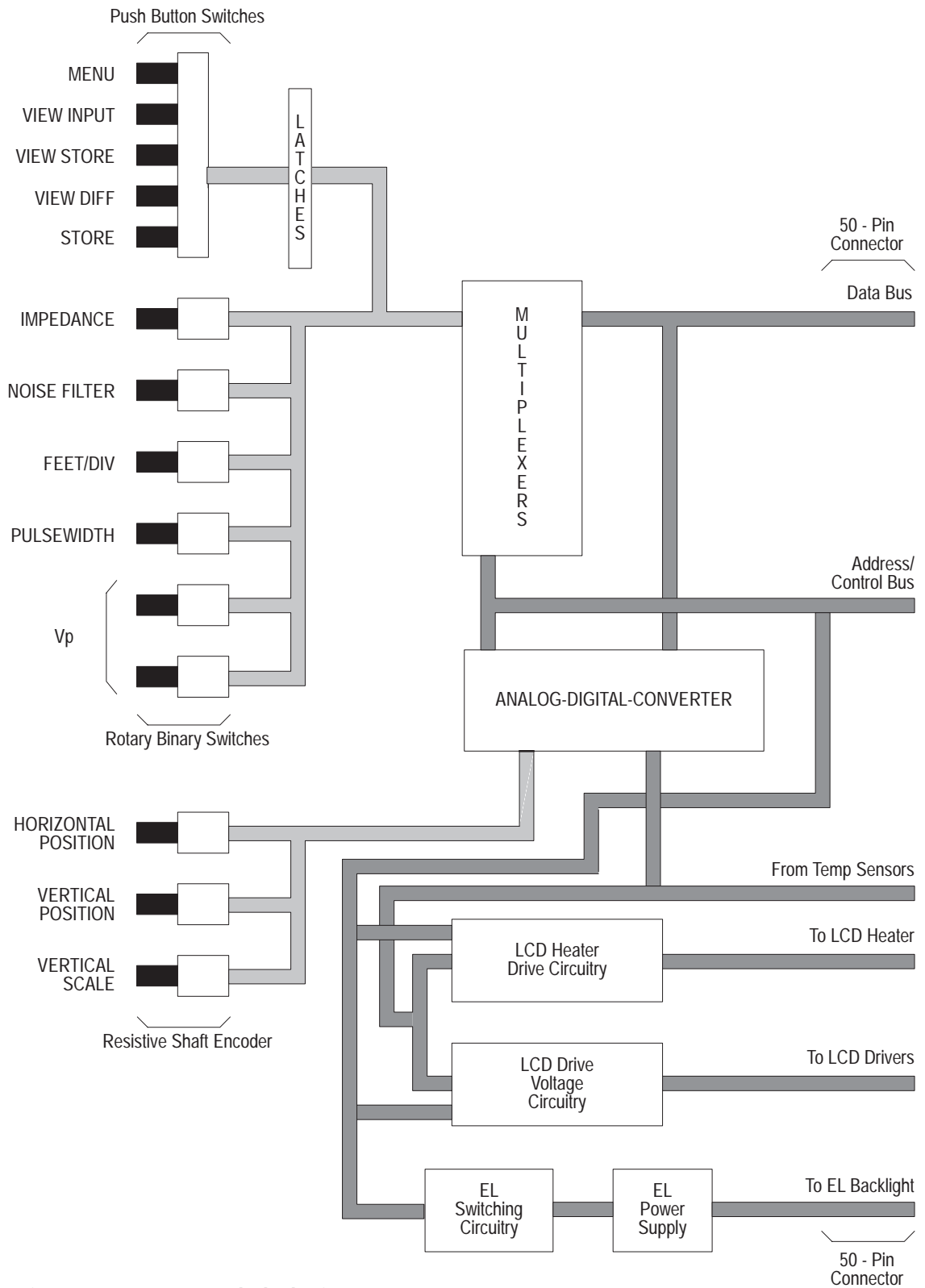


Figure 5-13: Front Panel Block Diagram

These switches control:

- MENU
- VIEW INPUT
- VIEW STORE
- VIEW DIFF
- STORE

### Rotary Binary Switches

The rotary binary switches provide a 4-bit binary value, indicating their position. The outputs are tied to the inputs of the multiplexers. The position of the rotary switches control the following functions:

- FILTERING, SET REF, SET DELTA
- HORIZONTAL GAIN (DIST/DIV)
- $V_P$  COARSE
- $V_P$  FINE

### Switch Multiplexers

The switch multiplexers are U2024, U2025, U3025, and U3031. These dual four-channel multiplexers multiplex the switch settings of the push button and rotary switches onto the data bus. The control signal  $\overline{MUXCS}$ , in conjunction with  $A_2$ , selects the multiplexers while  $A_0$  and  $A_1$  determine which switch bank is placed on the data bus.

### Resistive Shaft Encoders

The resistive shaft encoders R1022, R2024, and R3020 are dual-concentric, 360° rotation potentiometers, with the wipers set 180° out of phase with respect to each other. The wipers are tied to the analog-to-digital converter inputs of ADC U2023. The three resistive shaft encoders control the following functions:

- VERTICAL GAIN
- VERTICAL POSITION
- HORIZONTAL POSITION (Cursor)

### Analog-to-Digital Converter

The ADC, U2023, is an eight-channel analog-to-digital converter. It converts the voltages on the wipers of the resistive shaft encoders to a digital value, depending on the position of the encoders. It also converts the voltage on the display thermistor ( $T_{SENSE}$ ) and the chart recorder thermistor divider circuits into digital values representing the corresponding temperatures. The temperature data is used by the processor to compensate the LCD drive voltage and chart recorder print parameters for variations in temperature.

The control signal TRIG ADC is used to start a conversion; ADC RD reads the value; and  $A_0$ ,  $A_1$ , and  $A_2$  select one of the eight channels for conversion. Control signal  $\overline{EOC}$  notifies the processor of a conversion completion, via the  $\overline{IR3}$  line.

**Electroluminescent Backlight Switch and Power Supply**

The EL (electroluminescent) backlight is switched by software. Control signal  $\overline{\text{LIGHTCS}}$ , with  $\overline{\text{RD}}$  or  $\overline{\text{WR}}$ , sets or resets (respectively) NOR latch U3020. The output of the latch is applied to the + side of comparator U2020B; the – side is held at 2.5 VDC. When the output of the latch is high, the comparator output is +16 VDC, which turns off the gate of P-channel FET Q1030, turning off power to the EL power supply, PS2030. When the output is low, the comparator output is 0V, which turns on the FET, turning on the power to the EL power supply. R1031, C3030, and C3031 serve to filter noise introduced to the +16 VDC supply by the EL power supply.

**Display Heater Circuitry**

The display heater circuitry regulates the application of power to the display heater (see *Indium Tin Oxide Heater* later in this chapter for more information). When the display thermistor divider senses the display temperature has dropped below +10° C, the heater can be turned on if the control signal  $\overline{\text{HEAT ENABLE}}$  is not asserted. For reasons of power economy, the chart recorder and display heater are not allowed to operate concurrently. The processor does this by asserting  $\overline{\text{HEAT ENABLE}}$  while making a chart recording. When  $\overline{\text{HEAT ENABLE}}$  is low, N-channel FET Q2020 is off, making the voltage on the + side of the comparator, U2020A, approximately +5 VDC. This will allow the + side (chart recorder) to always be greater than the – side (display thermistor divider voltage). The output of the comparator will be +16 VDC, which turns off P-channel FET Q1020. This turns off the power to the display heater..

When  $\overline{\text{HEAT DISABLE}}$  is high, Q2020 will turn on and the voltage on the + side of the comparator will be approximately 2.5 volts. When the display thermistor divider voltage (– side) is above 2.5 volts (about +10° C), the comparator output will be 0 V, which will turn on Q1020. This will turn on the heater. As the temperature rises above +10° C, the thermistor divider voltage will be less than 2.5 V and Q1020 will turn off, shutting off power to the heater.

**Display Temperature Compensation**

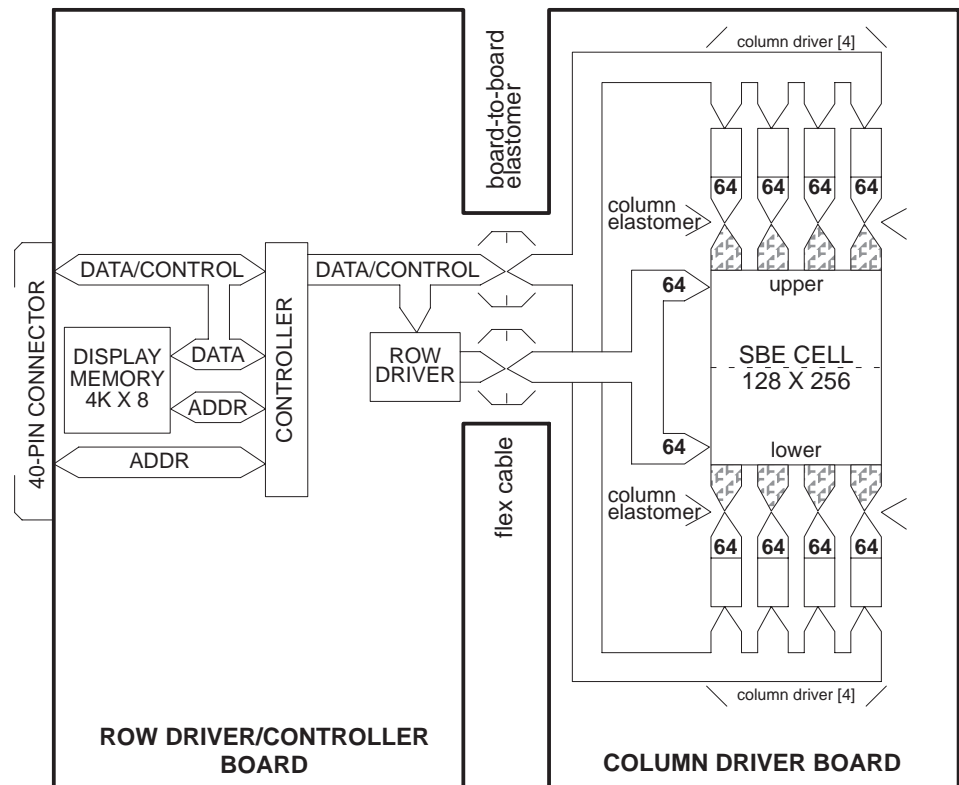
The LCD drive voltage compensation circuitry adjusts the drive voltage (contrast) to assure a constant display contrast within the operating temperature range of the instrument. The display thermistor is attached to the LCD and forms the sensor in the display thermistor divider circuit. Its output is a voltage related to the display temperature. This voltage is read by the processor through the analog-to-digital converter, U2023. The processor uses this voltage value to determine a drive voltage. This is sent to digital-to-analog converter U2021 via the data bus. The output of the DAC is amplified to op-amp U2010A and applied as the LCD drive voltage. As the temperature of the display (thermistor divider voltage) changes, the processor modifies the drive voltage via the DAC. In this manner, the drive voltage is compensated due to variations in display temperature. Trimmer potentiometer R1011 is used to offset the drive voltage produced by U2010A to compensate for variations in display cells and thermistors.

## Display Module

**Introduction** The display module consists of the following:

- LCD Cell
- Row Driver/Controller Board and Column Driver Board
- Electroluminescent Backlight
- Indium Tin Oxide (ITO) Heater
- Mechanical frame, which supports the above subassemblies

The display module function is to take bit pattern data generated by the instrument internal electronics and display it on the LCD. A block diagram of the display module is shown in Figure 5–14.



**Figure 5–14: Display Module Block Diagram**

The LCD cell is the “video screen” that displays information generated by the processor. The processor updates the display memory periodically with a new picture and the display memory holds this bit pattern data. This data is received by the display controller and sent to the drivers along with some control and timing signals that provide operating information to the drivers. The row and column drivers are attached electrically to the LCD cell through elastomeric connectors and

a flex cable. These drivers place signal voltages on the electrode matrix in the LCD cell and thus generate the video display.

There are other circuits contained in the display module. An indium tin oxide (ITO) heater warms the display during cold temperatures. A temperature sensor attached to the display provides display temperature data to the heater and drive voltage circuitry (see Front Panel text in this chapter). An electroluminescent backlight provides illumination in low light conditions.

### LCD Cell

The LCD cell provided in the 1502B uses an advanced technology known as Superbirefringent Effect (SBE) to obtain greatly improved contrast and viewing angle over conventional LCD cells. The function of the LCD module is to receive bit pattern data from the CPU and display it.

First, the processor generates a 4k X 8-bit pattern image in its own memory. It then writes this bit pattern, via the data bus, to the display memory, U1040, in the form of a block transfer. The bit pattern is mapped in the display memory and later on the LCD cell.

Second, the LCD controller, U2040, reads the bit pattern from the display RAM, formats it, and sends it to the column drivers.

Last, the column drivers and the row drivers generate select and non-select voltages based on the timing, control, and data signals received from the controller. These voltages are applied to the LCD cell matrix, turning off and on pixels that match the bit pattern in the display memory. The pattern of pixels form the image on the display.

The cell is physically composed of two planes of glass, two polarizers, a matrix of transparent electrodes, and a filling of liquid crystal material. A plating of indium tin oxide on the back plane of glass is used as a heater, but is not used in the display process.

Electrically, the cell is a 128 X 256 pixel display, each pixel being an intersection of a row and a column. These intersections are like small capacitors. When a non-select voltage (about 1.5 VRMS) is applied to a row and a column, their intersection is turned off (see Figure 5–15, next page). That is, light is allowed to pass through the display and reflect back from the transreflector, creating an “off” pixel. A select voltage (about 1.7 VRMS) turns the intersection on. That is, the light is not allowed to pass through the crystalline material and is, therefore, not reflected back from the transreflector, creating an “on” pixel.

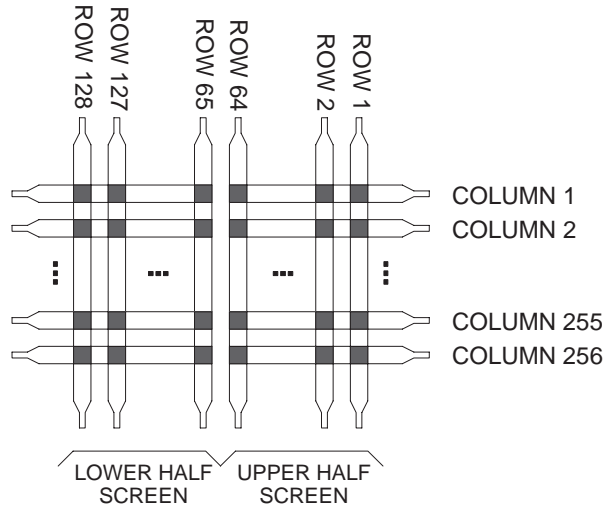


Figure 5-15: SBE Cell

**Row and Column Drivers**

There is one row driver, located on the Row Driver/Controller Board. There are eight column drivers, located on the Column Driver Board. The row and column drivers receive control, timing, and data signals from the controller and translate them to properly timed voltages that are placed on the pixel matrix. The voltages are placed on the matrix by the flex cable for the rows and by the elastomers for the columns.

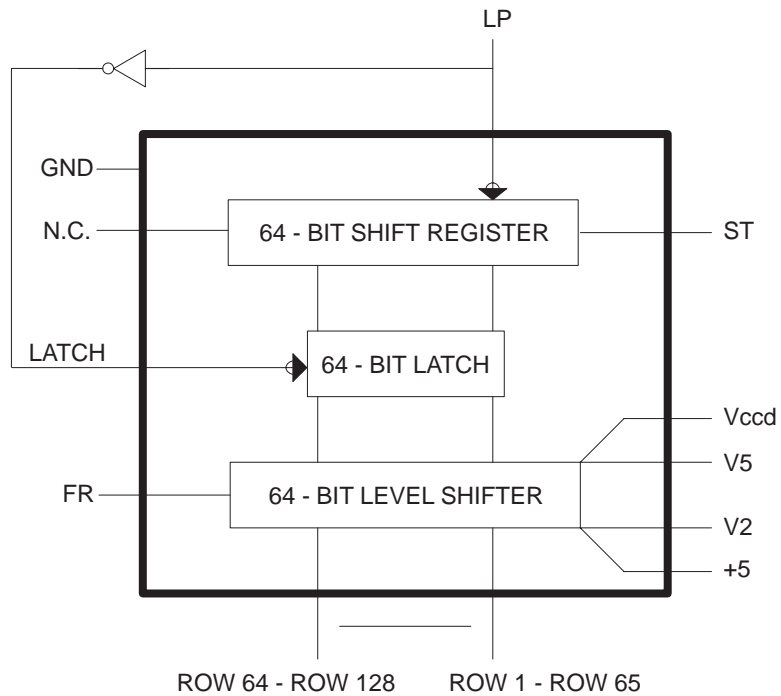
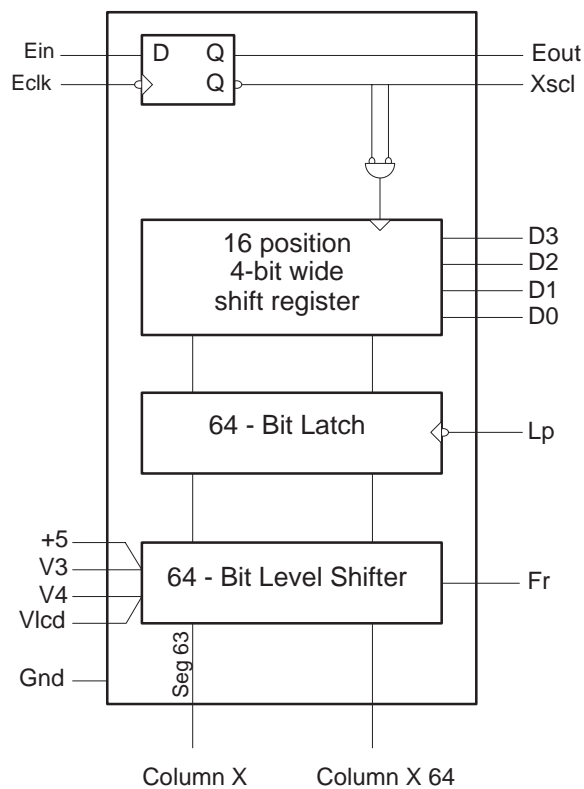


Figure 5-16: Row Driver Block Diagram

The function of the row driver is to sequentially address each of the rows of the display. The on or off state of the pixels on the addressed row is then determined by the voltages on the columns. The row driver addresses each line, one after another, completing the scanning at the refresh rate of 125 Hz.

The column driver is similar to the row driver except bit pattern data is level-shifted rather than the start pulse. The column drivers provide select and non-select voltages to the column electrodes according to the bit pattern data. The presence of select or non-select voltages on the columns, in conjunction with the currently selected row pair determine which pixels are on or off on that row pair. The column drivers regulate the select and non-select voltages as the row drivers select rows. The result is a bit pattern displayed on the screen that represents a waveform.



**Figure 5-17: Column Driver Block Diagram**

### Row Driver

The row driver is an 80-pin flat pack located on the Row Driver/Controller Board. It is composed of a 64-bit shift register, U2020, a 64-bit latch, and a 64-bit level shifter. The row driver has the following relevant inputs:

- ST <start pulse>: Input to the shift register <Din on SED 1190>
- LP <latch pulse =  $\overline{\text{LATCH}}$ >: Falling-edge triggered, this shifts data in the shift register and latches contents of the shift register into the latch <Y S<sub>CL</sub> on SED 1190>



- FR <frame signal>: Defines the select and non-select voltages.

The relevant outputs:

Row 1 through 64 are paralleled outputs driving both sides of the display. One set of outputs drive rows 1 through 64 and the other set drive rows 65 through 128 on the LCD.

**Supply Voltages** include the following:

- +5 VDC supply voltage for logic and select drive voltage
- $V_2$  non-select drive voltage
- $V_5$  non-select drive voltage
- $V_{LCD}$  select voltage
- GND return for +5 VDC.

To perform its function, the row driver receives a start pulse at the beginning of a frame. LP shifts this start pulse into the shift register. The contents are then transferred to the latch. The level shifter shifts the logical 1s and 0s in the latch into select and non-select voltages according to FR (see table at top of next page).

FR	Bit X in Latch	Row X Output
0	0	$V_5$ non-select
0	1	+5 VDC select
1	0	$V_2$ non-select
1	1	$V_{LCD}$ select

ST, LP, and FR are sent by the controller in such a way that a scanning select voltage is applied sequentially to the rows, with the polarity of the select voltage alternating with FR, every frame. The alteration is required to place an AC voltage on the pixels.

### Column Driver

A column driver is composed of several blocks: 16-position, 4-bit wide shift register; 64-bit latch; 64-bit level shifter; and an enable flip-flop.

A column driver has the following relevant inputs:

- D3–D0 <data MSB to data LSB>: Bit pattern data for data formatted and sent by the controller
- XSCL <column (X) shift clock>: Shifts D3–D0 in parallel groups of four bits
- LP <latch pulse>: Latches data in shift register into 64-bit latch
- FR <frame signal>: Defines select and non-select voltages
- $E_{IN}$  <enable in>: Input to the enable flip-flop
- $E_{CLK}$  <enable clock>: Clocks  $E_{IN}$  into the enable flip-flop.

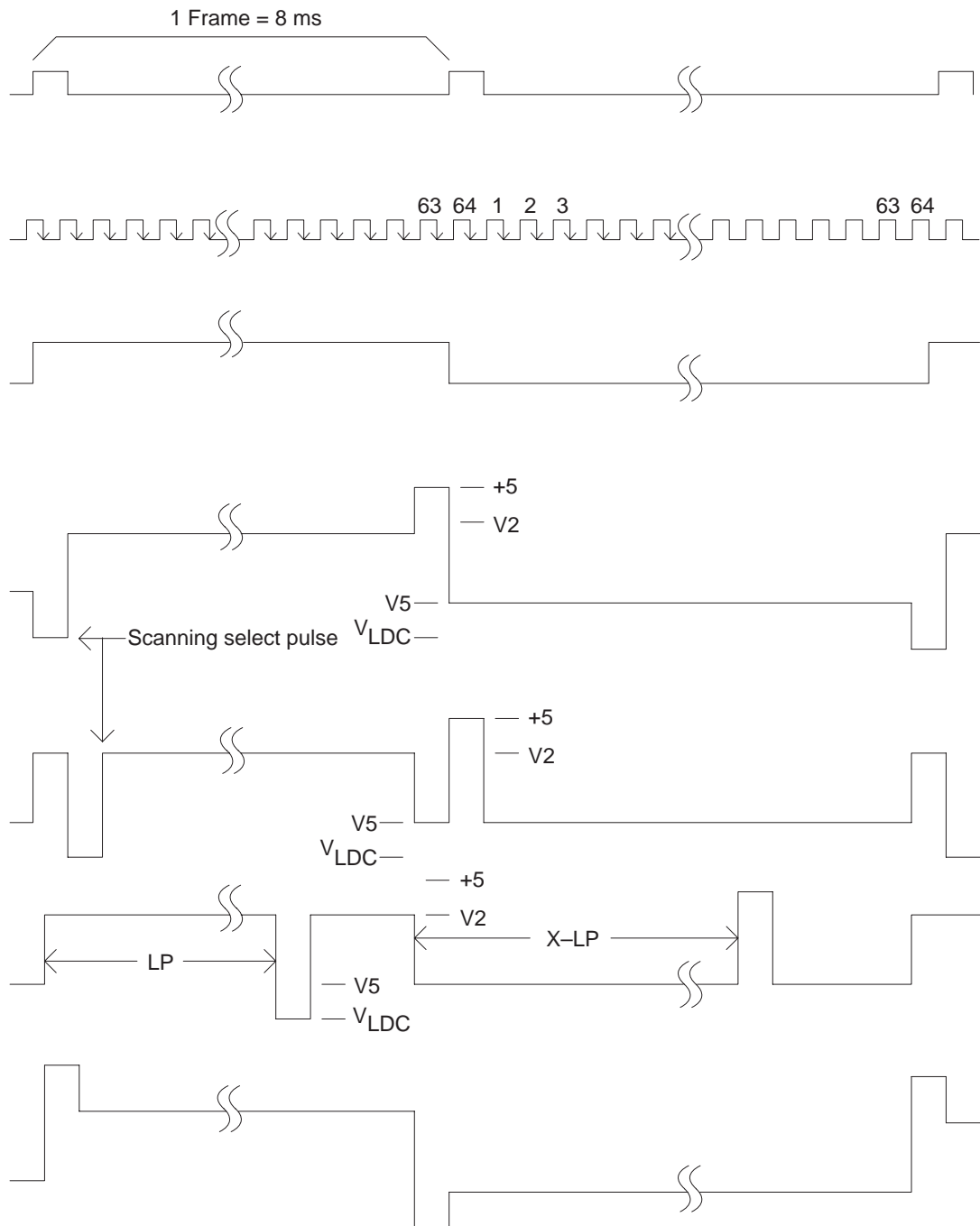


Figure 5-18: Row Timing Diagram

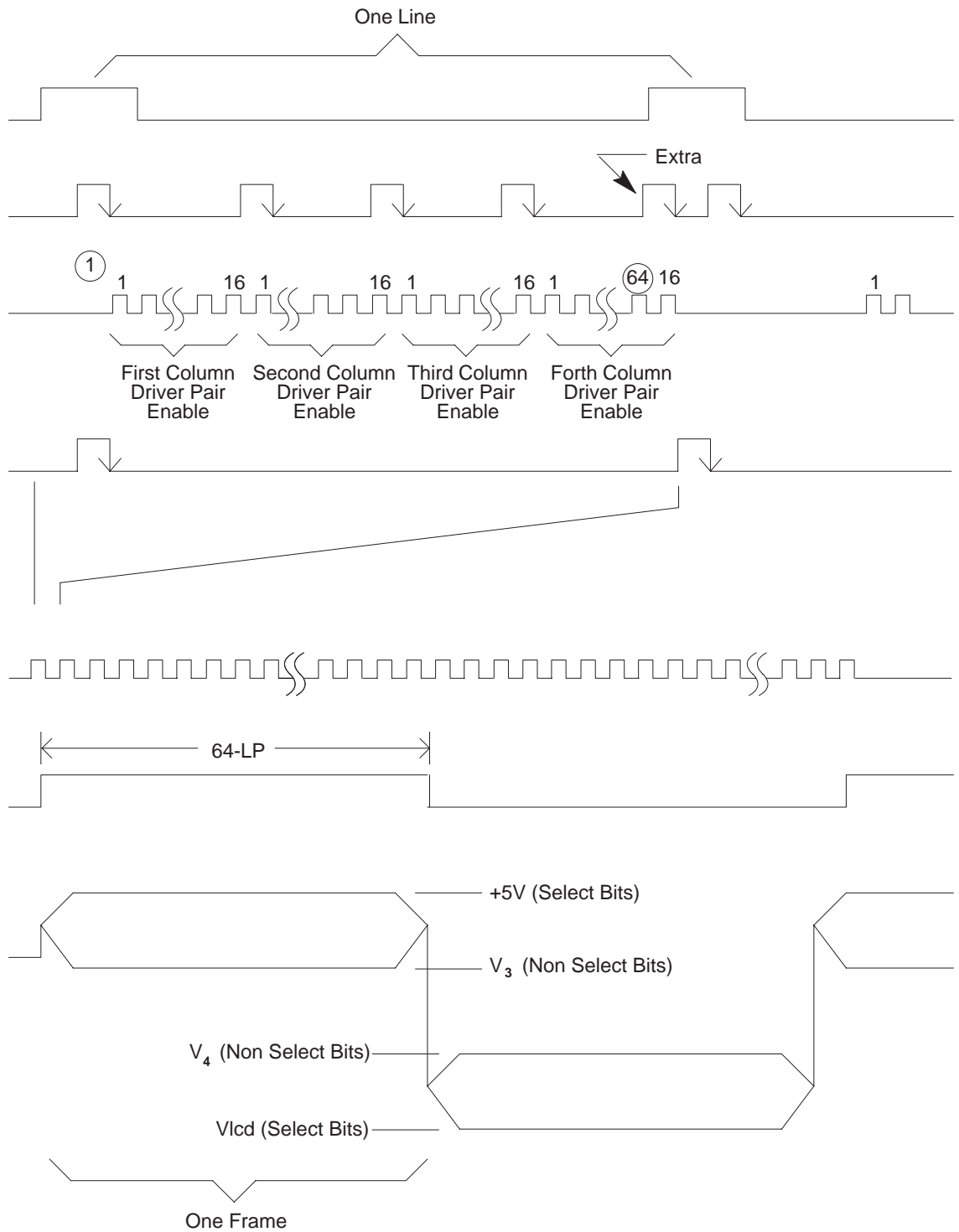


Figure 5-19: Column Timing Diagram

The relevant outputs:

- Columns 1 to 64: These are the 64 outputs from the level shifter.

---

**NOTE.** *The manufacturer's pinout of the outputs are numbered in order of shift (seg 63 – seg 0). The nomenclature herein refers to the outputs in column order. Therefore, seg 63 corresponds to Column 1 and seg 0 corresponds to Column 64.*

---

- EOUT: Output from the enable flip-flop.

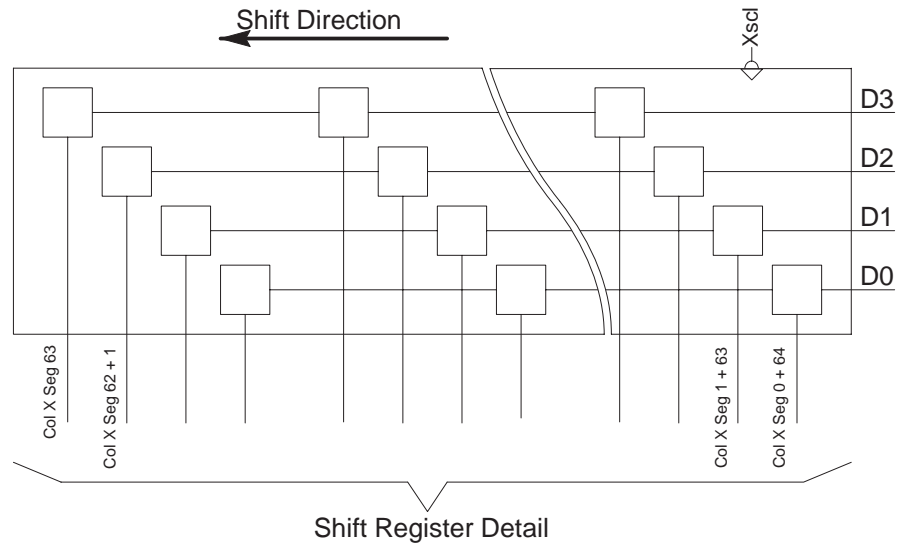
**Supply Voltages** include the following:

- +5 VDC supply voltage for logic and select drive voltage
- $V_3$  non-select voltage
- $V_4$  non-select voltage
- $V_{LCD}$  select voltage
- GND return for +5 VDC

To perform its function, the column driver shift registers are filled with data by receiving data, XSCL, E<sub>CLK</sub>, and E<sub>IN</sub> from the controller. LP then latches the contents of the shift registers into the latches. The level shifter translates the logical 1s and 0s in the latch into select and non-select voltages according to FR (see table).

FR	Bit X in Latch	Column X Output
0	0	$V_4$
0	1	$V_{LCD}$
1	0	$V_3$
1	1	+5 VDC

The pixels selected by both the column drivers and the row driver are turned on; all others are off. The process of filling the column drivers is repeated every LP (i.e., for every addressed row until all lines in both screen halves have been refreshed). One frame is thus complete and the entire process is repeated.



**Figure 5–20: Shift Register**

### Display Memory

The display memory is an 8k X 8 RAM (only 4k X 8 is used), located on the Row Driver/Controller Board. The display memory stores the current bit pattern generated by the processor on the Main Board. The processor interrupts the controller periodically and places a new bit pattern in the display memory. The controller then reads the bit pattern out of the display memory, formats it, and sends it to the column drivers.

### Controller

The controller, located on the Row Driver/Controller Board, generates control and timing signals for the row and column drivers, and formats bit pattern data stored in the display memory, which is then sent to the column drivers.

The function of the controller is to read bit pattern data from the display memory and format it. This data is then sent (along with control and timing signals) to the column and row drivers, which drive the LCD to provide the pattern on the display.

### Row Driver Interface

The row driver requires a start pulse at the beginning of each frame, 64 latch pulses following that to scan the start pulse down the rows, and a framing signal to generate the AC select voltage. These signals are generated by the controller as shown in the row driver timing diagram (Figure 5–18).

The controller, running at a clock rate of 0.625 MHz, generates ST, LP, and FR with the following periods:

ST	8 ms
LP	125 $\mu$ s
FR	16 ms

---

**NOTE.** *The manufacturer's nomenclature on the controller differs somewhat: ST = FRP, LP = LIP, and FR = FRMB.*

---

### Column Driver Interface

Three column drivers require more control and timing signals than the row driver. These include:  $E_{IN}$ ,  $E_{CLK}$ ,  $XSCL$ ,  $D3 - D0$ ,  $LP$ , and  $FR$ .

$E_{IN}$  is required at the start of every line to enable the first (leftmost, as seen from the front of the display) column driver pair.

$E_{CLK}$  is required once to latch in  $E_{IN}$  and three times after that to enable the successive column driver pairs. Each successive  $E_{CLK}$  must occur every 16  $XSCL$  pulses (i.e., after each column driver pair is full of 64 bits (4 X 16 bits)).

$XSCL$  is required 16 times per column driver pair per line to shift in the bit pattern data. Therefore, a total of 64  $XSCL$  are required per line for the four column driver pairs.

$XSCL$  is generated by U3030, a counter clocked by  $CLP$  or  $LP$  from the controller. It must be generated as such because the controller was designed to use with 80-channel column drivers instead of 64-channel column drivers. The controller version of  $E_{CLK}$ ,  $CE0$ , is generated every 20  $XSCL$  pulses rather than every 16  $XSCL$  pulses as required by the 64-channel column drivers. The counter is used to translate  $XSCL$  into  $E_{CLK}$ .

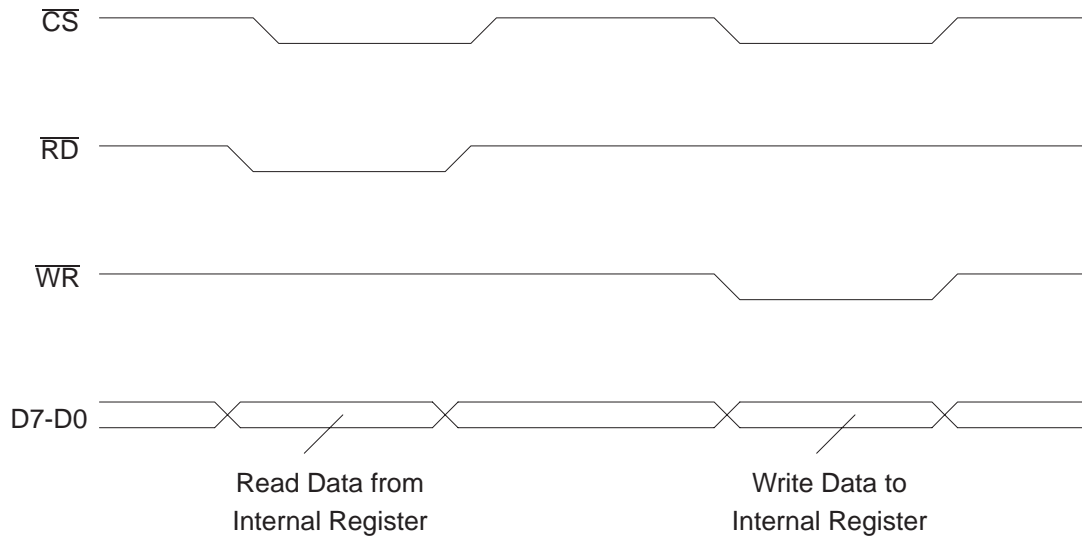
As a consequence of generating  $E_{CLK}$  as above,  $E_{IN}$  must also be generated. This is done with the U3065 flip-flop pair. The flip-flop pair is set when  $LP$  and  $LE0$  are asserted and hold set until  $XSCL$  ( $CLP$ ) shifts in a logic 0 after the pulse.  $E_{IN}$  is held high for a duration long enough to enable the first column driver pair.

### CPU and Display Memory Interface

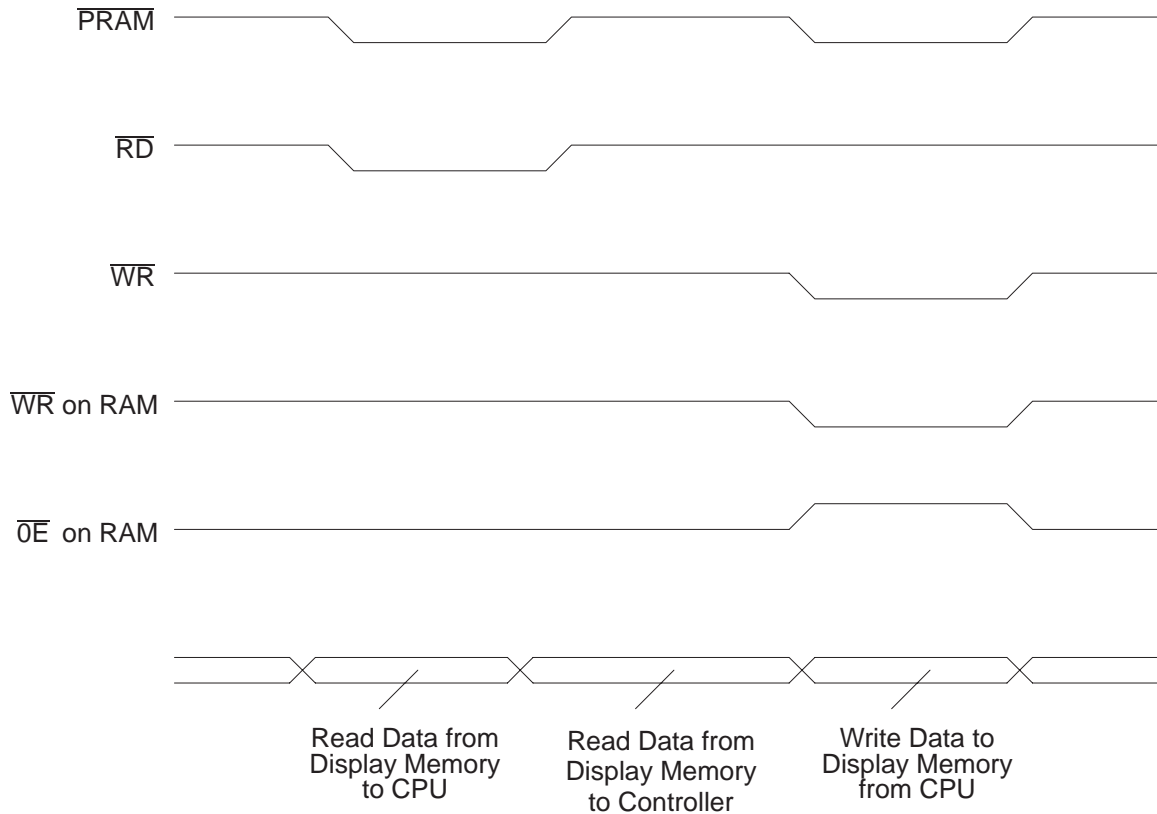
There are two data buses and two address buses on the controller. The first data bus,  $DB7 - DB0$ , is used to access registers internal to the controller. These internal registers are used to initialize the controller.

The second data bus,  $RD7 - RD0$ , is used to read bit pattern data from the display memory. The data bus from the display memory is tied directly to the  $RD7 - RD0$  data bus, and indirectly through a bidirectional bus transceiver, U1050, to the  $DB7 - DB0$  data bus. The  $DB7 - DB0$  data bus is tied directly to the CPU data bus through the 40-pin connector.

The first address bus,  $MA12 - MA0$ , is tied to the display memory and addresses it.  $MA12 - MA0$  can have one of two sources. The first is an internal address in the controller, which is the address of the currently accessed bit pattern data byte. The second is the address resent on the second address bus,  $A11 - A0$ .



**Read and Write for Internal Register Timing**



**Figure 5-21: CPU and Display Memory Interface**

This second address bus is tied to the CPU address bus through the 40-pin connector and is used to address the display memory during the time the CPU is updating the display memory.

The control signal DIEN controls the multiplexing of the internal address and A11 – A0 to MA12 – MA0. A15 – A12 are tied low.

There are several other relevant control signals to the controller:  $\overline{CS}$  <chip select>,  $\overline{WR}$  <write>, and  $\overline{RD}$  <read>.

$\overline{CS}$  and  $\overline{WR}$  are used in conjunction with A0 to write to the internal registers.  $\overline{CS}$  and  $\overline{RD}$  in conjunction with A0 to read them.

XT is the system clock, from which all timing in the controller is derived. It is supplied via the 40-pin connector at 0.625 MHz.

$\overline{DRAM}$  <display memory select> is used with  $\overline{WR}$  by the CPU to select and write to the display memory.  $\overline{DRAM}$  and  $\overline{RD}$  are used to read.

The combinational logic associated with the selection of the display memory is such that the memory is set to the selected read mode at all times except when the CPU accesses it. In that case, it could be either selected read or selected write at the discretion of the CPU. This combinational logic also controls the flow of data through the transceiver.

In operation, the controller is usually accessing the display memory and refreshing the screen with the bit pattern data. At the rate of about 10 Hz, the CPU intervenes in the refresh operation to update the bit pattern display memory. This operation occurs as a block transfer of 4k X 8 from the CPU memory to the display memory. This block transfer takes place in about 17 ms. During the block transfer, the controller cannot access display memory and, therefore, sends null data to the display.

### Electroluminescent Backlight

Because the LCD display is non-emitting, a light source is needed for low light applications. This source is provided by an electroluminescent (EL) backlight behind the translector. The EL backlight is a long-life device, requiring a 130 VAC, 400 Hz supply. This supply is routed from the Front Panel Board through the 40-pin connector to pads on the Row Driver/Controller Board. The leads on the backlight are then attached to these pads.



---

**CAUTION.** The pads for the EL backlight are exposed when the display module is removed from the front panel. They operate from a high voltage source. Do not turn on the backlight when the pads are exposed.

---



**Indium Tin Oxide Heater**

Because the LCD display response time slows down rapidly at temperatures below +10° C, a heater is required to maintain the temperature of the LCD cell at +10° C when the ambient temperature falls below +10° C.

The heating element is a resistive plating of indium tin oxide (ITO) on the back side of the row pane. This plating has a resistance of about 64Ω. The power for the heater is supplied through the 40-pin connector to pads on the Row Driver/Controller Board, similar to those for the EL backlight.

A thermistor, RT1030, is attached to the lip of the row pane opposite the cable. This thermistor is used to track the temperature of the LCD cell and turn on the heater power (+16 VDC) when the temperature falls below +5° C. With a supply voltage of +16 VDC, the heater dissipates about 4W. The circuitry to control the temperature is located on the Front Panel Board. The thermistor leads are attached to pads on the Row Driver/Controller Board, similar to the heater, and routed through the 40-pin connector.





# Calibration

## Introduction

This chapter is divided into the *Calibration Performance Check* and the *Adjustment Procedure*.

The *Calibration Performance Check* is a series of checks to compare the instrument parameters to the published specifications. This procedure is similar to the *Operator Performance Check* (Chapter 2), but additionally lists actions to take if the *Calibration Performance Check* is not met.

The *Adjustment Procedure* is a series of steps designed to bring the instrument up to standards after repair or performance check.

## Calibration Performance Check

The purpose of this procedure is to assure that the instrument is in good working condition and should be performed on an instrument that has been serviced or repaired, as well as at regular intervals.

This procedure is not intended to familiarize you with the instrument. If you are not experienced with this instrument, you should read the Operation chapter of this manual before going on with these checks.

If the instrument fails any of these tests, it should be calibrated or otherwise serviced. Many failure modes affect only some functions of the instrument.

### Equipment Required

Equipment	Tek Part Number
50 $\Omega$ precision terminator	011-0123-00
3-ft precision coaxial cable	012-1350-00

### Getting Ready

Disconnect any cables from the front panel CABLE connector. Connect the instrument to a suitable power source (a fully charged optional battery pack or AC line source). If you are using AC power, make sure the fuse and power selector switch on the rear panel are correct for the voltage you are using (115 VAC requires a different fuse than 230 VAC).

### Metric Instruments

Option 05 (metric) instruments default to m/div instead of ft/div. You can change this in the Setup menu, or you may use the metric numbers provided. To change the readings to ft/div, press the MENU button. Scroll down to *Distance/Div is: m/div*

and press MENU again. That menu line will change to *Distance/Div is: ft/div*. Exit by pressing MENU until the instrument returns to normal operation. If the instrument power is turned off, this procedure must be repeated when the instrument is again powered up.

The metric default can be changed to standard default. See the *Maintenance* chapter of this manual for details.

## Display Module Check

### Liquid Crystal Display

1. Pull the POWER switch on the front panel. If a message does not appear on the display within a few seconds, turn the instrument off.



Figure 6-1: Typical Start-Up Display



**CAUTION.** *There are some failure modes that could permanently damage the LCD if the power is left on more than a minute or so.*

2. Observe that the LCD characters and waveform are legible. If the LCD is too dark or smeared, or if the display has patches of low contrast, refer to the *Adjustment Procedures* section of this chapter.

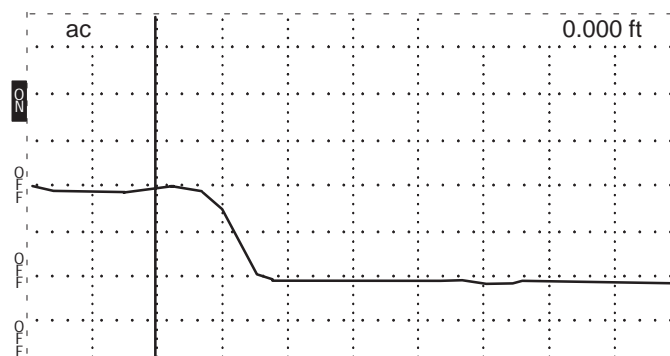


Figure 6-2: Waveform on the Display

---

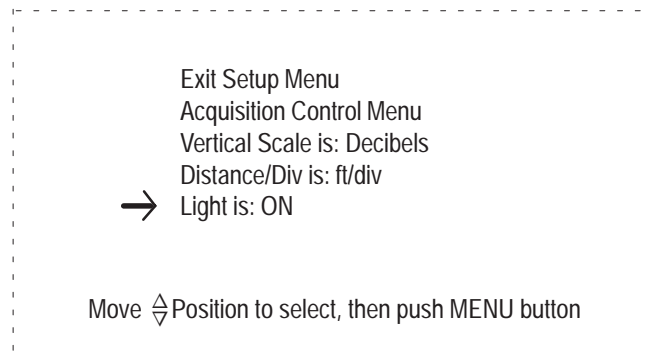
**NOTE.** If the LCD does not appear to be working properly, refer to the Troubleshooting section in the Maintenance chapter as well as the Circuit Description chapter of this manual.

---

## EL Backlight

The EL backlight should come on with power up. The LCD will have a light-green glow.

1. Press MENU.
2. Use the  $\Delta$ POSITION control to scroll to Setup Menu.
3. Press MENU again.
4. Use the  $\Delta$ POSITION control to scroll to Light is: ON.



**Figure 6–3: Setup Menu**

5. Press MENU. The EL backlight should go off and the menu line will change to Light is: OFF.
6. Scroll to Light is: OFF and press MENU to turn the light back on.
7. Press MENU again to exit the Setup Menu.
8. Press MENU again to exit the Main Menu.

You should be able to read the LCD in all conditions of illumination, from full sunlight to a darkened room. The EL backlight might very gradually begin to decrease in brightness after approximately 3,000 hours of use.

---

**NOTE.** If the EL Backlight is dim or does not work properly, refer to the Troubleshooting section or the EL Backlight Replacement section in the Maintenance chapter of this manual.

---

## Front Panel Check

If the instrument fails any of these checks, measurements corresponding to the failed control might be inaccurate or unobtainable.

### Presets and Menu Access

1. Set the front-panel controls:

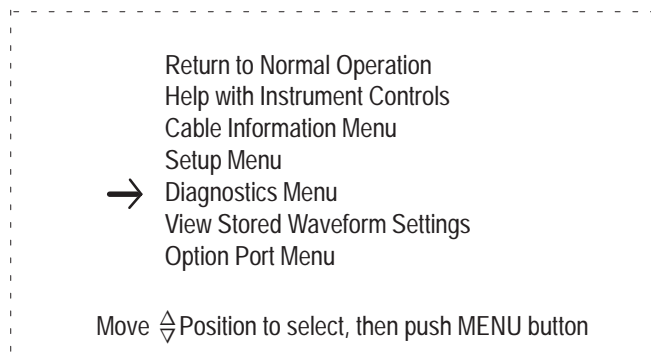
CABLE	No connection
NOISE FILTER	Full CW
VERT SCALE	Default (see note below)
DIST/DIV	Full CW
V <sub>P</sub>	.30
POWER	Off

---

**NOTE.** A default setting is where the instrument will be set when power is switched on. For example, VERT SCALE will always be 0.00 dB when the instrument is powered on.

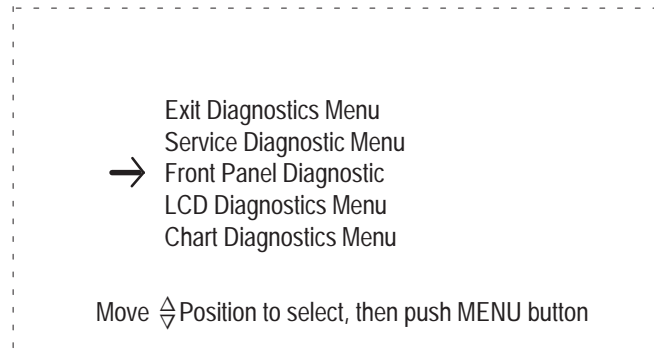
---

2. Turn POWER on. Wait for initialization and normal operation display.
3. Press MENU.
4. Use the  $\Delta$ POSITION control to scroll to Diagnostics Menu.



**Figure 6-4: Main Menu**

5. Press MENU. This will display the Diagnostics Menu.

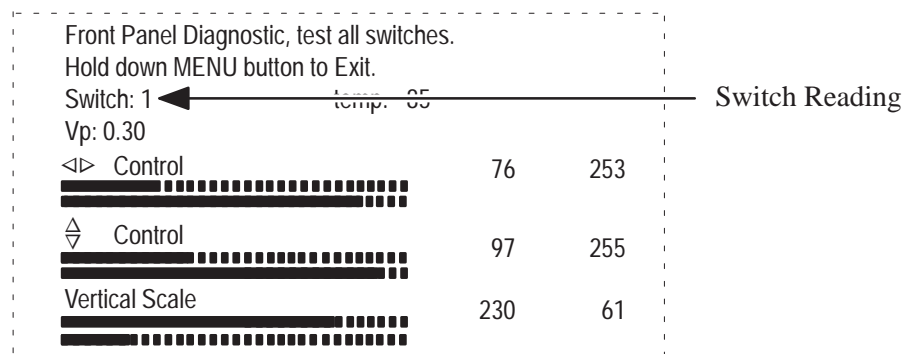


**Figure 6-5: Diagnostics Menu**

6. Use the  $\diamond$ POSITION control to scroll to Front Panel Diagnostic.
7. Press MENU. This will display the Front Panel Diagnostics.

### Pushbutton Switches

1. Press VIEW INPUT. The LCD switch reading should change to 1 (see Figure 6-6, third line of text).



**Figure 6-6: Front Panel Diagnostic Display**

2. Press VIEW STORE. The LCD switch reading should change to 2.
3. Press VIEW DIFF. The LCD switch reading should change to 3.
4. Press STORE. The LCD switch reading should change to 4.

### Rotating Controls

5. Rotate NOISE FILTER counterclockwise to VERT SET REF. The switch reading on the display should be 5.
6. Slowly rotate this control clockwise to its far stop. Each position should increase the switch reading one count, starting at 5 and ending with 14.



7. Rotate DIST/DIV counterclockwise to its far stop. The switch reading on the display should be 15.
8. Slowly rotate this control clockwise to its far stop. Each position should increase the switch reading one count, starting at 15 and ending with 25.
9. The display should currently show a  $V_P$  of 0.30. Slowly rotate the left  $V_P$  control to full clockwise. Each click should correspond to the front-panel control setting.
10. Rotate the right  $V_P$  control to full clockwise. Again, the LCD reading should match the front-panel control setting. The final reading with both controls fully clockwise should be 0.99.

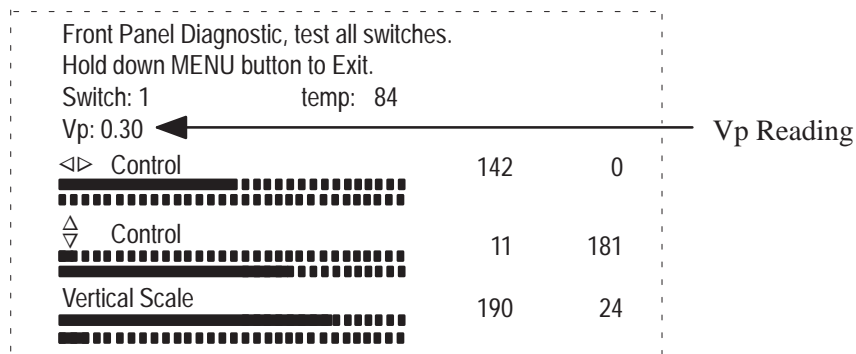


Figure 6-7: Front Panel Diagnostic Display

11. Rotate the <math>\triangleleft>\triangleleft</math> POSITION control, slowly in either direction. The bar graph shown on the display represents the two elements of each control. The readings to the right of the bar graph represent numbers used by the instrument to calculate the position of the knob. As the control is rotated, these values and the bar graph will change. The lower value in each column should be between 0 and 10 while the higher number is between 245 and 255.

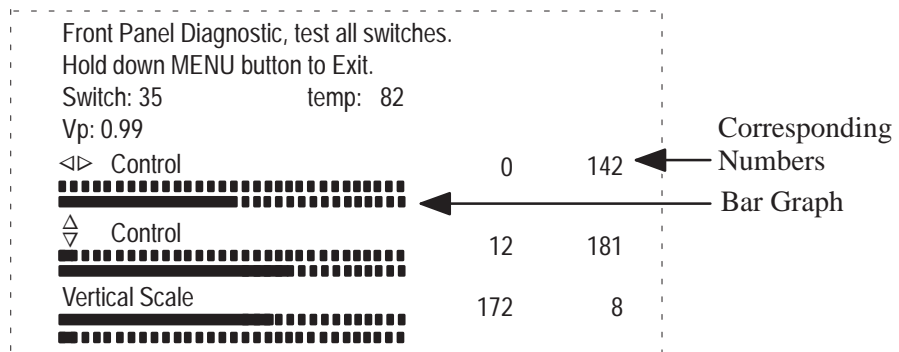


Figure 6-8: Front Panel Diagnostic Display

12. Rotate the  $\Delta$ POSITION control slowly in either direction. The lower value in each column should be between 0 and 10 while the higher number is between 245 and 255.
13. Rotate the VERT SCALE control slowly in either direction. The lower value in each column should be between 0 and 10 while the higher number is between 245 and 255.

**Thermistor**

There is a numerical reading from the thermistor located on the LCD. If it is not operating properly, the LCD heater might not come on in cold environments. This could result in slow or unreadable displays.

1. The displayed temperature reading should be between 50 and 90, depending on the ambient temperature. If the thermistor is defective, the reading will be near 0 or 255.

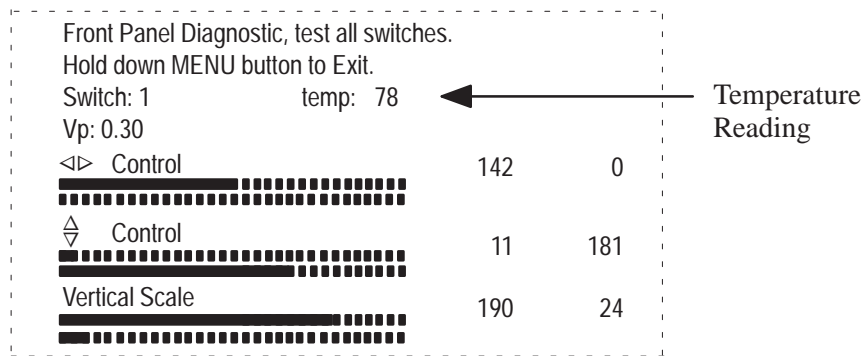


Figure 6-9: Front Panel Diagnostic Display

2. Press MENU repeatedly until the instrument returns to normal operation.

**Conclusion**

If any of the controls or functions are defective or indicate erratic response, the function affected by that control could be in error. The defective control should be replaced. See the *Maintenance* chapter of this manual.

## Horizontal Scale (Timebase) Check

If the instrument fails this check, it must be repaired before any distance measurements are made with it.

1. Set the front-panel controls:

CABLE	No connection (see text)
NOISE FILTER	1 avg
VERT SCALE	500 mp
DIST/DIV	.1 ft/div
V <sub>P</sub>	.66

2. Turn on the instrument. The display should look very similar to Figure 6–10.

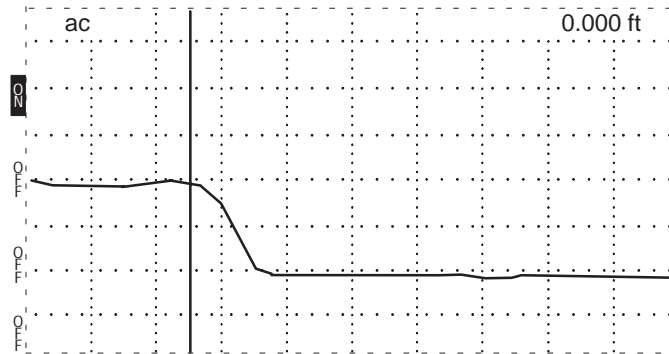


Figure 6–10: Waveform on the Display with No Cable Attached

3. Press STORE.
4. Connect the 3-ft precision test cable to the front-panel CABLE connector.
5. Press VIEW DIFF.
6. Rotate NOISE FILTER to HORZ SET REF. The display should look like Figure 6–11.

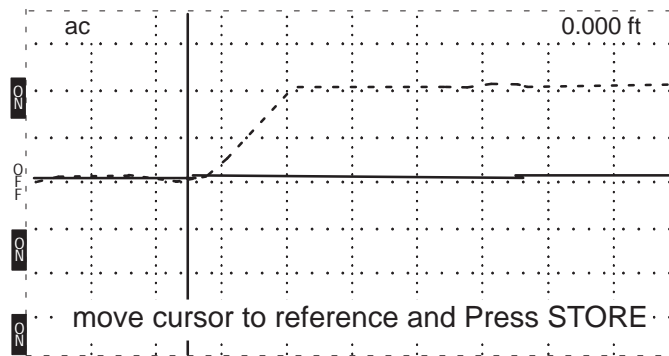


Figure 6–11: Display with 3-ft Cable and Stored Waveform

7. Using the <> POSITION control, set the cursor on the rising edge of the waveform at the first graticule up from the centerline.
8. Press STORE.

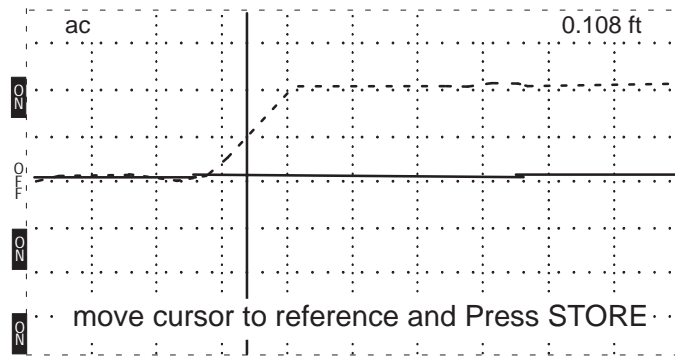


Figure 6-12: Cursor on Rising Edge of Pulse

9. Rotate NOISE FILTER back to 1 avg.
10. Press STORE. The front panel reference has now been set.

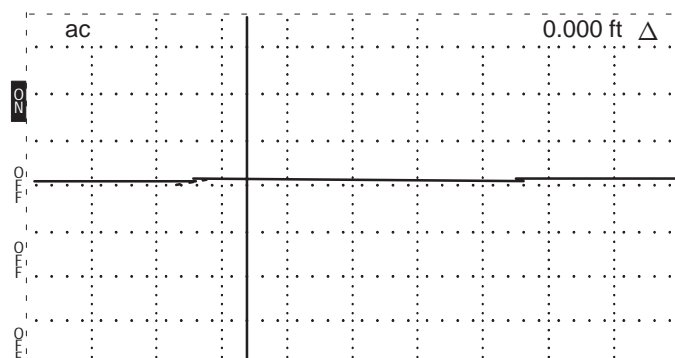


Figure 6-13: Cursor at 0.000 ft Δ

11. Rotate the <D> POSITION control to the rising edge of the waveform, one graticule above the centerline. This measures the distance from the set point to the end of the 3-ft cable. The measured distance should be between 2.87 and 3.13 feet.

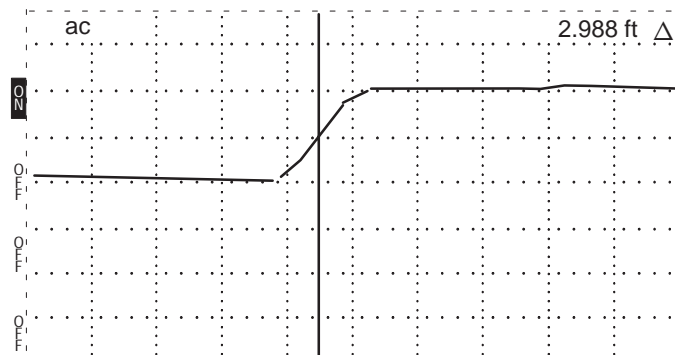
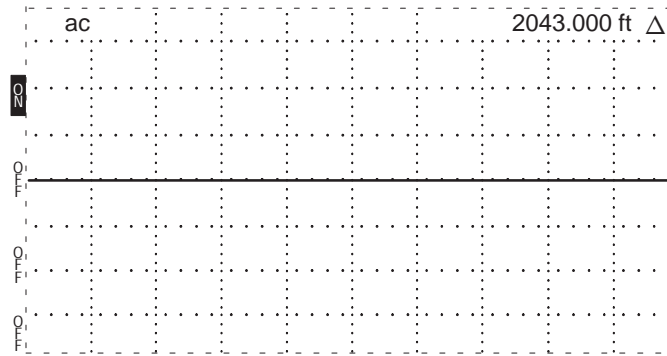


Figure 6-14: Cursor on Rising Edge of Pulse

12. Remove the 3-ft cable and connect the 50Ω terminator.

13. Set the DIST/DIV control to 200 ft/div.
14. Rotate the  $\triangleleft$  POSITION control clockwise until the display distance window shows a distance greater than 2,000.000 ft. The waveform should remain flat from zero to this distance.



**Figure 6–15: Flatline Display to >2,000 ft**

**NOTE.** If the Timebase does not appear to be working properly, refer to the Circuit Descriptions chapter and the Troubleshooting section of the Maintenance chapter of this manual.

## Zero Offset Check

If the instrument fails this check, you might still make some tests, but the offset might change when cable conditions change.

1. Set the front-panel controls:

CABLE	(see * below)
NOISE FILTER	1 avg
VERT SCALE	500 m $\mu$
DIST/DIV	.2 ft/div
V <sub>P</sub>	.99
POWER	ON

\* Nothing should be connected to the front panel CABLE connector.

2. Adjust the  $\triangleleft$  POSITION control so the distance window reads –2.000 ft.
3. Use the  $\triangleleft$  POSITION control to center the baseline before the incident pulse.
4. Increase VERT SCALE to 10 m $\mu$ , using the  $\triangleleft$  POSITION control to keep the baseline centered on the display.

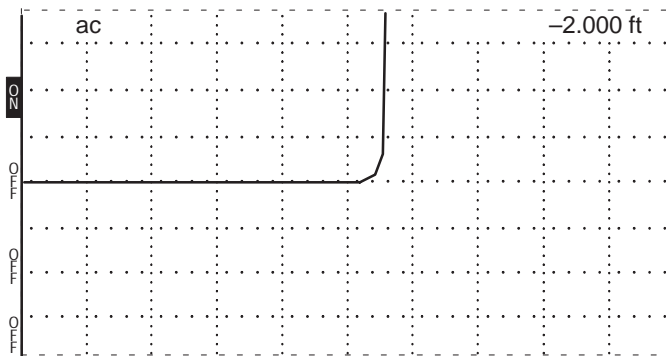


Figure 6-16: Incident Pulse at -2.000 ft

5. The front panel CABLE connector has a shorting bar that shorts the input when a cable is removed. Attach the 3-ft precision cable to the CABLE connector to defeat this shorting bar.
6. Notice any minor changes in the waveform. The waveform prior to the leading edge might change shape slightly, but should not shift more than one division.

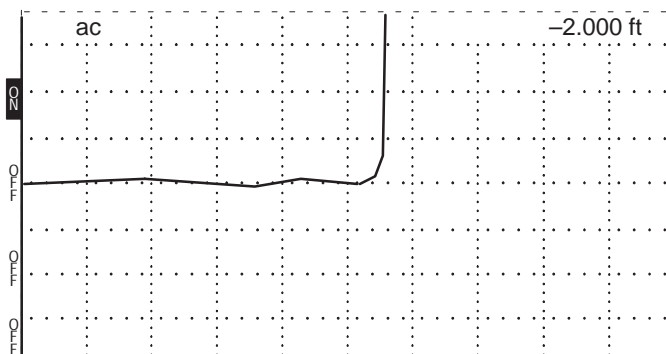


Figure 6-17: Incident Pulse at -2.000 ft with 3-ft Cable Connected

Max Hold can be used to easily monitor any changes, as shown below.

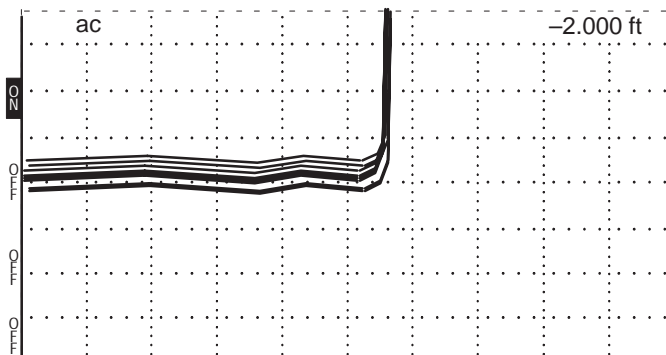


Figure 6-18: Incident Pulse at -2.000 ft with Max Hold

7. Turn the instrument OFF, then ON again. This will reset it for the next check.

**NOTE.** If the instrument fails this check,, first refer to Zero Offset Adjust in the Adjustment Procedures section of this chapter. If you are unable to adjust this satisfactorily, refer to the Circuit Descriptions chapter and the Troubleshooting section of the Maintenance chapter of this manual.

## Vertical Position (Offset) Check

If the instrument fails only this check, it can be used but should be serviced. Not all waveforms will be viewable at all gain settings.

1. Set the front-panel controls:

CABLE	3-ft precision cable
NOISE FILTER	1 avg
VERT SCALE	500 m $\mu$ p
DIST/DIV	1 ft/div
V <sub>P</sub>	.99

2. Set the  $\triangleleft$  POSITION control so the distance window reads -2.000 ft.
3. Using the  $\triangle$  POSITION control, verify that the entire waveform can be moved upward past the center graticule line.

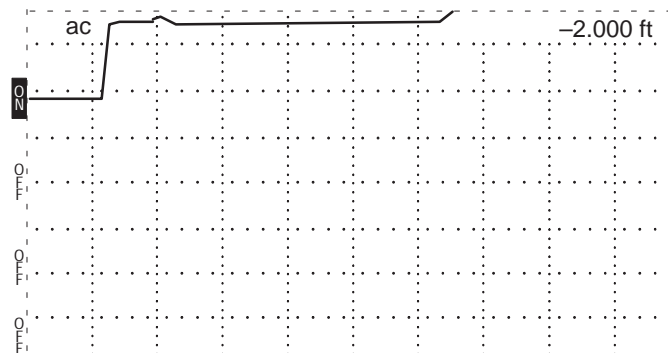


Figure 6-19: Waveform at Top of the Display

4. Using the  $\triangledown$  POSITION control, verify that the entire waveform can be moved to the very bottom of the display. The top of the pulse should be lower than the center graticule line.

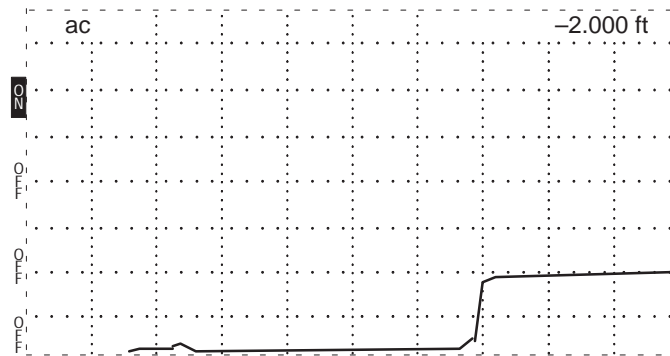


Figure 6-20: Waveform at Bottom of the Display

5. Remove the 3-ft precision cable.
6. Connect the  $50\Omega$  terminator to the CABLE connector.
7. Center the pulse in the display. The pulse should be two divisions high.

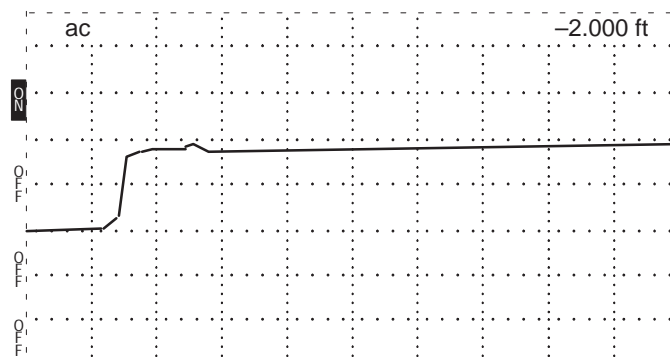


Figure 6-21: Waveform at Centered

**NOTE.** If the instrument fails this check, refer to the Troubleshooting section of the Maintenance chapter of this manual.

## Noise Check

If the instrument fails this check, it might still be usable for measurements of large faults that do not require a lot of gain. A great deal of noise reduction is available with the NOISE FILTER control.

1. Set the front-panel controls:

CABLE	$50\Omega$ terminator
NOISE FILTER	1 avg
VERT SCALE	500 mV
DIST/DIV	10 ft/div
$V_P$	.99



2. Turn the  $\triangleleft$  POSITION control until the distance window reads 100.000 ft.

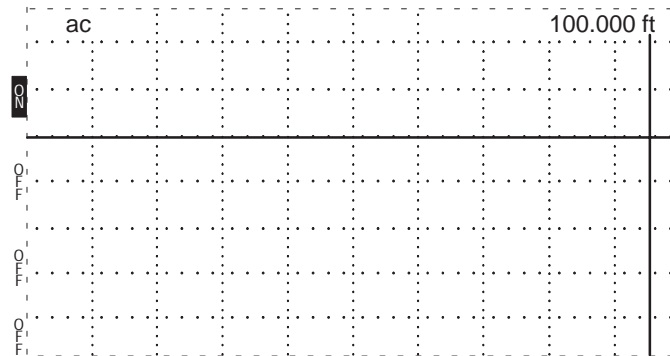


Figure 6-22: Cursor Moved to 100.000 ft

3. Change DIST/DIV to 0.1 ft/div.
4. Using the VERT SCALE control, set the gain to 5.00 mp/div.
5. Use the  $\triangleleft$  POSITION control to keep the waveform centered on the display.

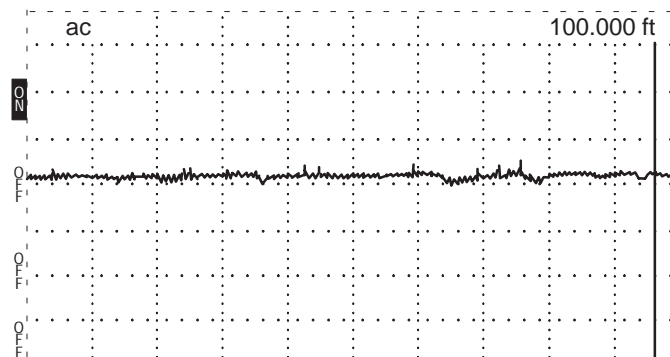
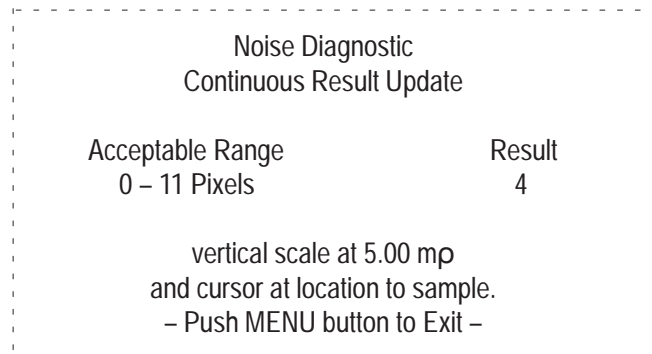


Figure 6-23: Noise with Gain at 5.00 mp

6. Press MENU.
7. Using the  $\triangleleft$  POSITION control, scroll to *Diagnostics Menu*.
8. Press MENU again.
9. Using the same procedure, select *Service Diagnostic Menu*, then *Noise Diagnostic*.
10. Read the results on the display.



**Figure 6-24: Noise Diagnostic Display**

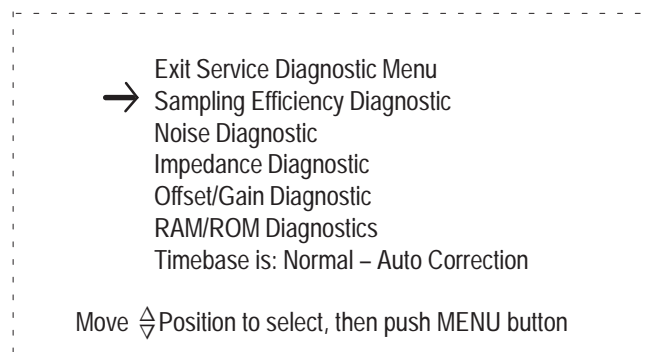
**NOTE.** If the instrument does not meet this specification, refer to the Circuit Descriptions chapter and the Troubleshooting section of the Maintenance chapter of this manual.

11. Press MENU once to return to the *Service Diagnostic Menu*. Do not exit from the *Service Diagnostic Menu* because you will use it in the next check.

## Sampling Efficiency Check

If the instrument fails this check, the waveforms might not look normal. If the efficiency is more than 100%, the waveforms will appear noisy. If the efficiency is below the lower limit, the waveform will take longer (more pixels) to move from the bottom to the top of the reflected pulse. This smoothing effect might completely hide some events that would normally only be one or two pixels wide on the display.

1. While in the *Service Diagnostic Menu*, select the *Sampling Efficiency Diagnostic* and follow the directions shown on the display.



**Figure 6-25: Service Diagnostic Menu**

2. Press MENU once to return to the *Service Diagnostic Menu*. Do not exit from the *Service Diagnostic Menu* because you will use it in the next check.

---

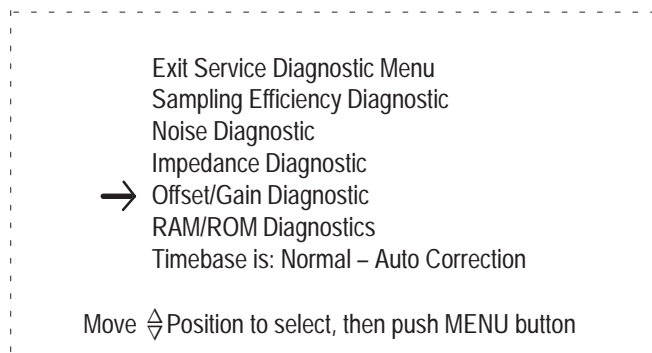
**NOTE.** *If the instrument does not pass this check, refer to the Circuit Descriptions chapter and the Troubleshooting section of the Maintenance chapter of this manual.*

---

## Offset/Gain Check

If the instrument fails this check, it should not be used for loss or impedance measurements.

1. While in the *Service Diagnostic Menu*, select the *Offset/Gain Diagnostic* and follow the directions shown on the display.



**Figure 6–26: Service Diagnostic Menu**

---

**NOTE.** *The 48 dB step might fail intermittently. If a more accurate reading is desired, TP9041 on the Main Board or TP3051 on the Driver/Sampler Board must be grounded during the check. See the Maintenance chapter for the case and EMI shield removal instructions.*

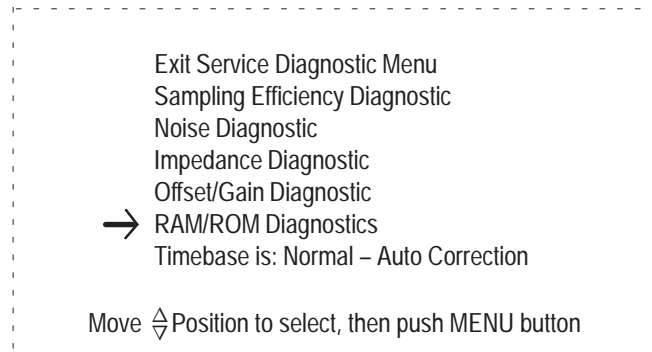
---

2. There are five screens of data presented in this diagnostic. The Pass/Fail level is 3% for worst case.
3. Press MENU once to return to the *Service Diagnostic Menu*. Do not exit from the *Service Diagnostic Menu* because you will use it in the next check.

## RAM/ROM Check

If the instrument fails this check, various functions might be affected. Without the RAM/ROM functions operating correctly, it is doubtful you would have gotten this far. This check will give you assurance that the RAM/ROM circuits are operating properly.

1. In the *Service Diagnostic Menu*, select the *RAM/ROM Diagnostics*.



**Figure 6–27: Service Diagnostic Menu**

2. Press MENU. The diagnostic is automatic and will display the result on the LCD.
3. Turn the instrument off, then on again. This will reset it for the next check.

---

**NOTE.** *If the instrument fails any of the last three checks, refer to the Circuit Descriptions chapter and the Troubleshooting section of the Maintenance chapter of this manual.*

---

## Aberrations Check

If the aberrations are out of spec, the ohms-at-cursor function might be less accurate than specified.

1. Set the front-panel controls:

CABLE	50 $\Omega$ terminator
NOISE FILTER	1 avg
VERT SCALE	500 m $\rho$
DIST/DIV	5 ft/div
V <sub>P</sub>	.99

2. Using the  $\triangleleft$  POSITION control, adjust the distance window to read –2.000 ft.

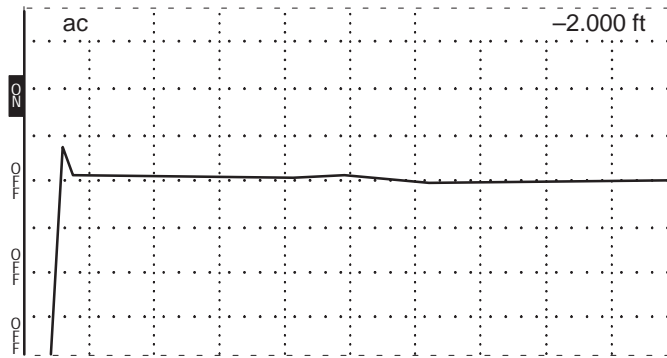


Figure 6-28: Waveform with Cursor at -2.000 ft

3. Increase DIST/DIV to 50 mp/div.
4. Center the pulse on the display, keeping the trailing baseline on the center graticule

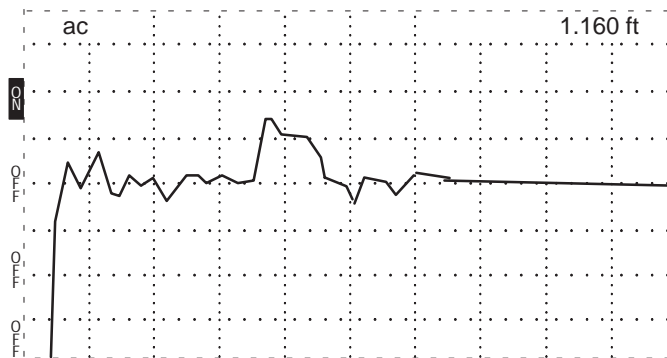


Figure 6-29: Waveform at 50 mp/div

5. Set the DIST/DIV control to 0.2 ft/div.
6. Adjust the  $\triangleleft \triangleright$  POSITION control until the rising edge of the pulse is in the left-most major division on the display.
7. Move the cursor to 0.000 ft with the  $\triangleleft \triangleright$  POSITION control. All the aberration except the one under the cursor should be within one division of the center graticule line (see Figure 6-30, next page).

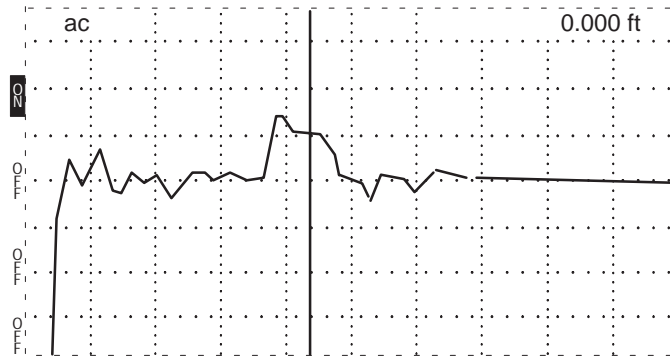


Figure 6-30: Waveform at 5 mp/div

8. Increase the DIST/DIV to 200 ft/div.
9. Increase the VERT SCALE to 5.00 mp.
10. Verify the the waveform is flat  $\pm$  one minor division after the incident step.

**NOTE.** If the instrument fails this check, refer to Driver/Sampler in the Circuit Descriptions chapter and the Troubleshooting section of the Maintenance chapter.

## Risetime Check

If the risetime is out of specification, it might be difficult to make accurate short-distance measurements near the front panel and might affect the resolution of the instrument.

1. Set the front-panel controls:

CABLE	50 $\Omega$ terminator
NOISE FILTER	1 avg
VERT SCALE	500 mp
DIST/DIV	0.1 ft/div
V <sub>P</sub>	.99

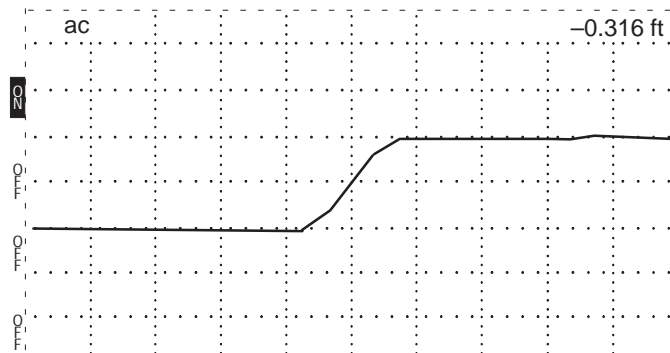


Figure 6-31: Incident Pulse at Center of Display

2. Use the  $\triangleleft$  POSITION control to move the incident pulse to the center of the display (as shown in Figure 6–31).
3. Turn the VERT SCALE control clockwise until the leading edge of the incident pulse is five major divisions high (about 200 m $\rho$ ).
4. Position the waveform so that it is centered horizontally and vertically on the middle graticule lines (2.5 divisions below the center horizontal graticule line and 2.5 divisions above).

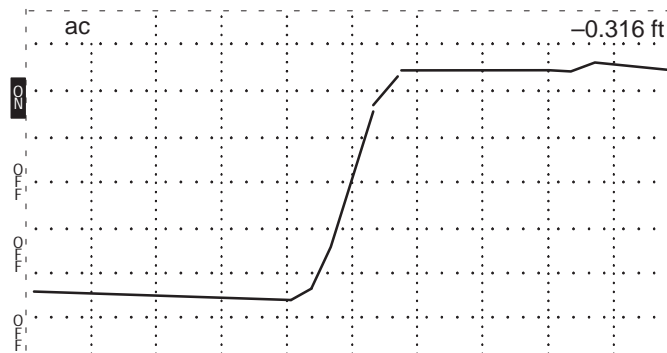


Figure 6–32: Incident Pulse Centered, Vertical Increased

5. Turn the NOISE FILTER control to HORZ SET REF.
6. Using the  $\triangleleft$  POSITION control, set the cursor to the point where the lower portion of the pulse’s rising edge first crosses a major horizontal graticule line (should be about half a division from the bottom of the pulse).
7. Press STORE.
8. Turn the NOISE FILTER to 1 avg.

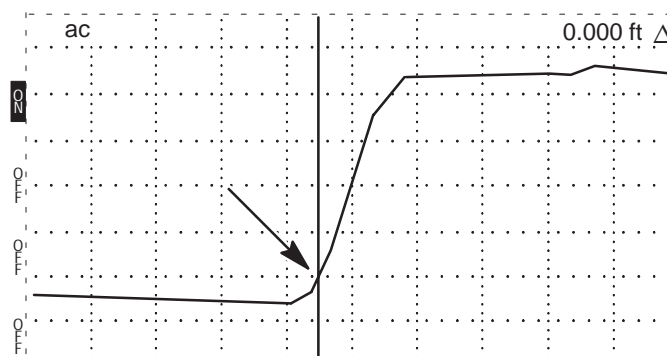


Figure 6–33: Cursor on Rising Edge at First Horizontal Graticule

9. Using the  $\triangleleft$  POSITION control, set the cursor to the point where the upper portion of the pulse’s rising edge crosses a major horizontal graticule line (should be about half a division from the top of the pulse).

10. Verify that the distance is less than or equal to  $0.096 \text{ ft } \Delta$ .

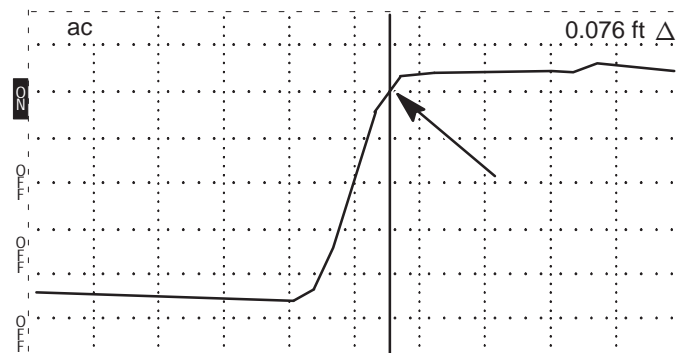


Figure 6–34: Cursor on Rising Edge at Last Horizontal Graticule

**NOTE.** If the instrument fails this check, refer to *Troubleshooting in the Maintenance chapter* and *Driver/Sampler in the Circuit Descriptions chapter* of this manual.

## Jitter Check

**NOTE.** If you have just completed the previous check, the instrument might still be in *HORZ SET REF* mode. This will not have any effect on the Jitter Check. If you wish to exit *HORZ SET REF*, either turn the power off and on, re-initializing the instrument, or follow the directions for *HORZ SET REF* in the *Operator chapter*.

1. Set the front-panel controls:

CABLE	50Ω terminator
NOISE FILTER	1 avg
VERT SCALE	500 mV
DIST/DIV	.1 ft/div
V <sub>P</sub>	.99

2. Using the  $\triangleleft$  POSITION and the  $\triangle$  POSITION controls, center the rising edge of the pulse on the center horizontal graticule line.



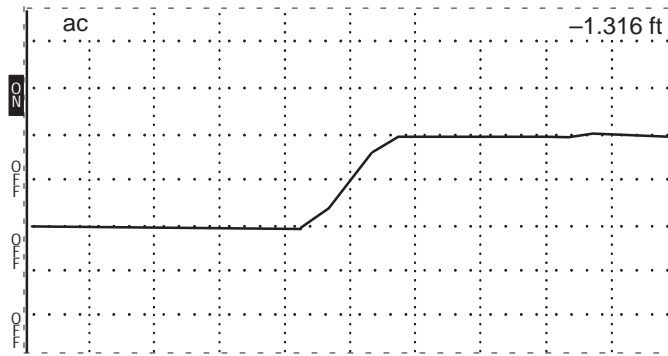


Figure 6-35: Rising Edge at Center of Display

3. Turn the VERT SCALE control clockwise for a reading of more than 1.0 mp/div.
4. Verify that the leading edge of the pulse moves less than five pixels (0.02 ft).

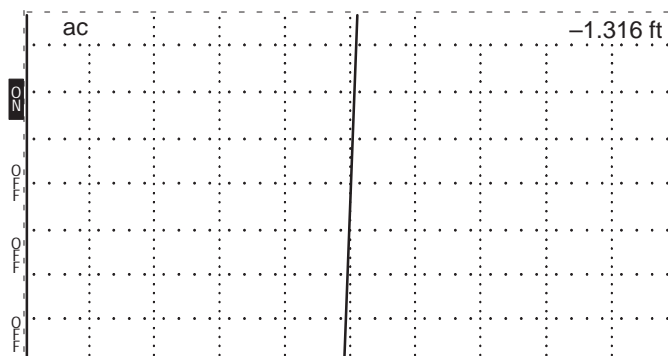


Figure 6-36: Rising Edge with Scale at 1.0 mp/div

You may also use the Max Hold function found in the Acquisition Control menu, within the Setup menu. This function can simplify this measurement for you by displaying jitter accumulating. See the Operator chapter for directions on using Max Hold.

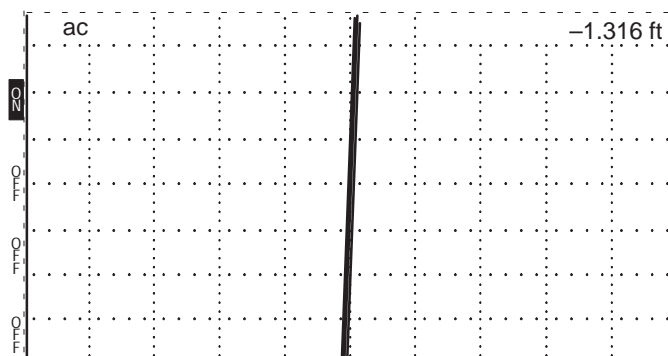


Figure 6-37: Rising Edge with Max Hold on

## Option 03: Battery Pack Check

Look in this chapter under *Power Supply Checks and Adjustments* for battery and charging circuit information.

## Option 04/07: YT-1/YT-1S Chart Recorder Check

If the instrument does not pass this check, chart recordings might not be possible.

1. Access the *Chart Diagnostics Menu* found under the *Diagnostics Menu*.
2. Scroll to *Head Alignment Chart* and follow the directions.
3. Press MENU to exit this diagnostic.

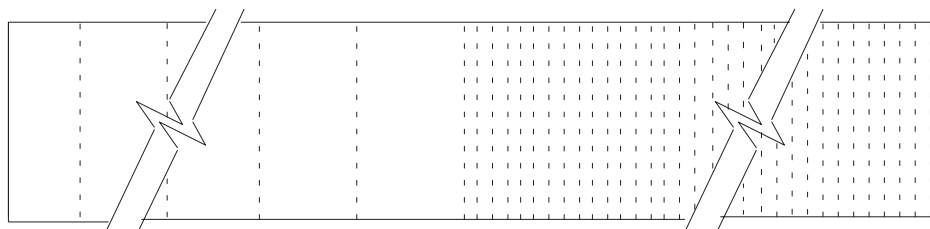


Figure 6-38: Head Alignment Chart Print

4. There should be approximately six inches of narrow-spaced lines and six inches of wide-spaced lines. The total length of both should be between 10.87 and 12.76 inches. Fold the paper at the last narrow-spaced line and the two ends should be of equal length (half narrow, half wide).

---

**NOTE.** If the chart recorder does not pass this check, refer to the YT-1/YT-1S Chart Recorder Instruction Manual (070-6270-xx) for service information.

---

## Option 05: Metric Default Check

Option 05 requires no check other than to turn on the instrument and see if it displays in meters. Instructions for changing the default can be found in the *Maintenance* chapter of this manual.

# Adjustment Procedures

## Equipment Required

Equipment	Performance Required	Example or Tek P/N
Digital Multimeter	Range: 0 to 200 VDC	DM501A or equivalent*
Ohmmeter	Resolution to 0.01Ω	DM501A or equivalent*
Variable AC Source	with power meter	GenRad W10MT3W or equiv.
Variable DC Power Supply	0 to 14 VDC, 3 A	
3-foot Coaxial Cable	50Ω	012-1350-00

\* must be plugged into power mainframe

## Metric Instruments

Metric default timing is made by moving a jumper on the back of the Front Panel Board (see *Maintenance* chapter of this manual). To make the calibration easier, this jumper will be moved to the standard timing position during calibration, then moved back to the metric position when calibration is completed.

## Before Starting

On early instruments, there is an adjustment on the Main Board used for timebase compensation, identified as R2034. Because of a slight crosstalk effect between circuits, measurements of a certain length cable would show a small glitch. This adjustment eliminated the problem and subsequent improvements in circuit board design eliminated the need for the adjustment. If your instrument has this adjustment, it has been set at the factory and requires no further attention.

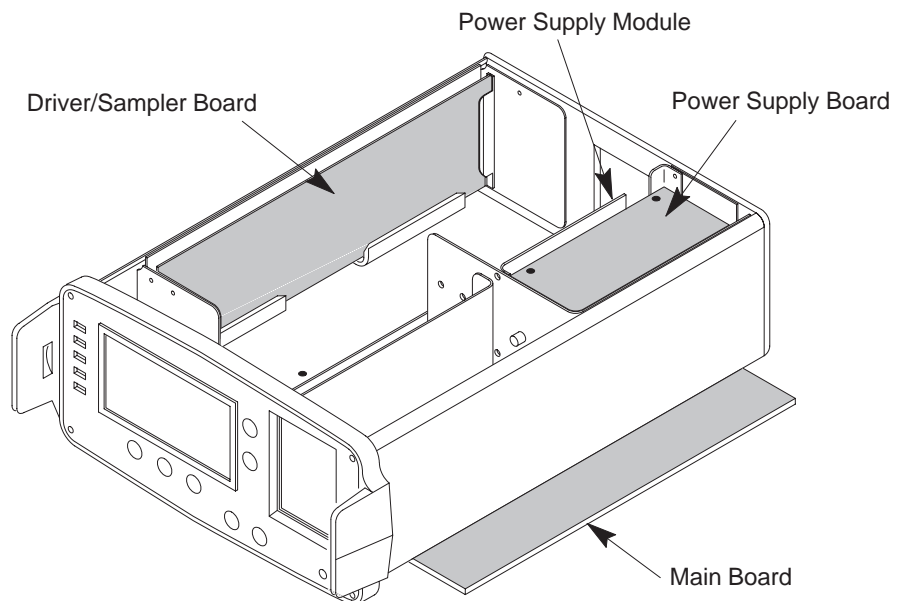


Figure 6-39: Circuit Board Locations in the Instrument

## Remove the Case and EMI Shields

To perform the Adjustment Procedure, the instrument must be removed from the case and the EMI shields removed. Instructions on both procedures are located in the *Maintenance* chapter of this manual.

## Visual Inspection

If any repairs are made to the instrument, or if it has been disassembled, we recommend a visual inspection be made.

1. Check all screws for tightness and that the screw heads are not burred or rounded.
2. Set the line voltage switch on the rear panel to 110V and check for the proper fuse (0.3 A).
3. Check if the LCD has been cleaned on the outside and the implosion shield of the front panel has been cleaned on the inside.
4. Check that the knobs and buttons work properly. The NOISE FILTER, DIST/DIV, and both  $V_P$  knobs have detents; all others should rotate smoothly. Check that the knobs are tight (no loose set screws). Check that the set screw on the POWER switch shaft is tight.
5. Check the cables for proper connection polarity and tightness. Make sure the cables on the front of the Main Board come down from the plug into the instrument instead of curving toward the outside. All cables should have the exposed ends away from the metal chassis.
6. If any components were replaced by soldering, check for solder balls, excess flux, and wire clippings. Good soldering practices must be followed when repairing this instrument.

## Power Supply Checks and Adjustments

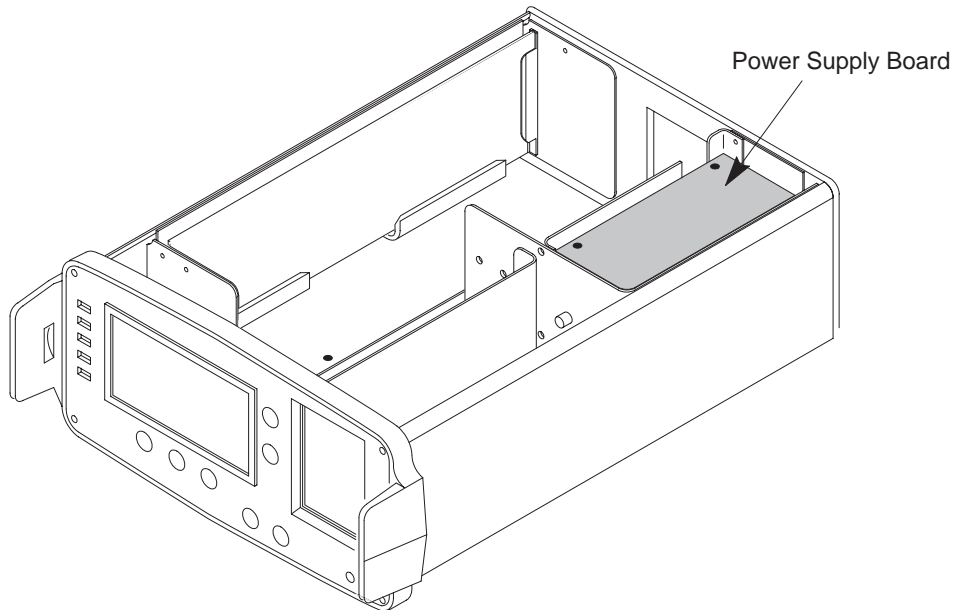
### Power-Up Procedure

1. Set the front-panel controls:
 

NOISE FILTER	1 avg (3rd stop CW)
DIST/DIV	1 ft/div (4th stop CW)
$V_P$	.99
2. Make sure the POWER switch is in the OFF position.
3. Connect the 115 VAC output of the Variac® into the AC socket on the rear of the 1502B.

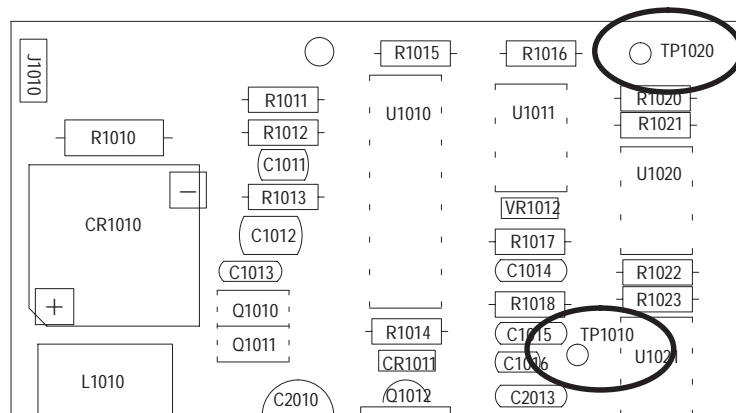
### Voltage Checks

1. Pull the POWER switch to the ON position.
2. Observe that the power draw does not exceed 4 Watts on the Variac.



**Figure 6-40: Power Supply Board**

3. Connect the positive (+) voltmeter probe to TP1020 (+16.6 VDC – it might be marked as 15.8 V on some older power supplies).
4. Connect the negative (-) probe to TP1010 (ground).



**Figure 6-41: Power Supply Test Points TP1020 and TP1010**

5. Verify that the supply voltage is 16.6 VDC and there is a minimal current drawn (< 2W) from the Variac.
6. Connect the positive (+) voltmeter probe to TP2030. The negative (-) voltmeter probe should remain connected to ground. The reading should be +16.2 VDC (see following table for tolerances).

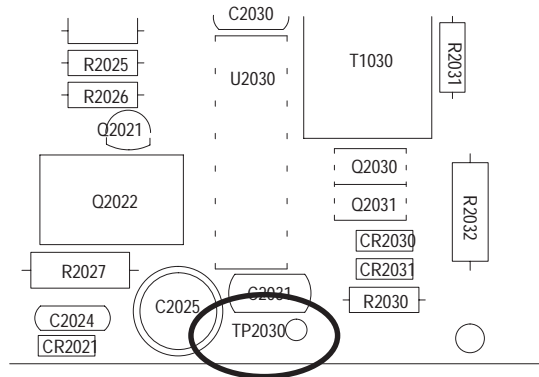


Figure 6-42: Power Supply Test Point TP2030

Supply	Range	Test Point	Location
+16.2 VDC	+15.9 to +16.4 VDC	TP2030	Power Supply Board
+5.0 VDC	+4.85 to +5.25 VDC	Pin 1, J5040	Main Board
-5.0 VDC	-4.85 to -5.25 VDC	Pin 3, J5040	Main Board
+15.0 VDC	+14.7 to +15.3 VDC	Pin 4, J5040	Main Board
-15.0 VDC	-14..7 to -15.3 VDC	Pin 6, J5040	Main Board

7. Make a mental note of the location where the ribbon cable from the power supply is plugged into the Main Board, then turn the instrument over.

**NOTE.** When the instrument is turned over, you will be looking at the top (component side) of the Main Board.

The J5040 pins go through the circuit board and appear on the top (component side) of the Main Board. J5040/P5040 is the input from the power supply. The other end of the cable is J1030/P1030 on the Power Supply Board. Measure the voltages on the pins listed in the table and verify the supply voltages.



Connector plug P5040 on bottom of Main Board.

Connector pin J5040 on top of Main Board.

Figure 6–43: Connector Plug P5040 and Pins J5040 on Bottom of Main Board

**Range Check** *Test points in this check are located on the Power Supply Board.*

1. Connect the positive (+) probe to the +16.6 VDC supply (TP1020) on the Power Supply Board.

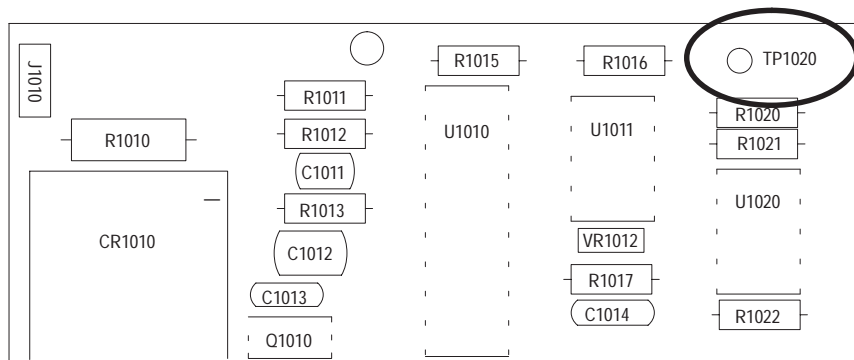


Figure 6–44: Power Supply Test Point TP1020

2. Change the AC output voltage on the Variac to 132 VAC.
3. Verify that the +16.6 VDC supply remains regulated (+16.4 to +16.8 VDC).
4. Reduce the Variac output voltage to 90 VAC.
5. Verify that the +16.6 VDC supply is still regulated (+16.4 to +16.8 VDC).
6. Move the positive (+) probe to the +16.2 VDC supply (TP2030)
7. Reduce the Variac output voltage until the +16.2 VDC (and the instrument) shut down. This voltage must be lower than 90 VAC.

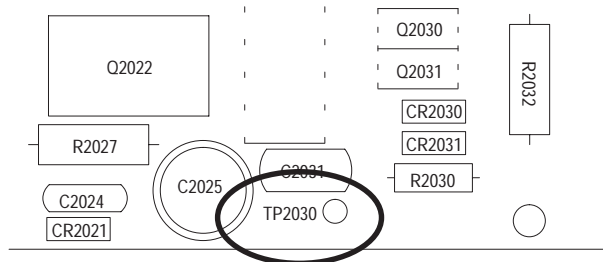


Figure 6–45: Power Supply Test Point TP2030

8. Raise the Variac output voltage to 120 VAC. The instrument should remain shut down.
9. Turn the 1502B POWER off.

### Main Board $\pm 12$ VDC Check and Adjust

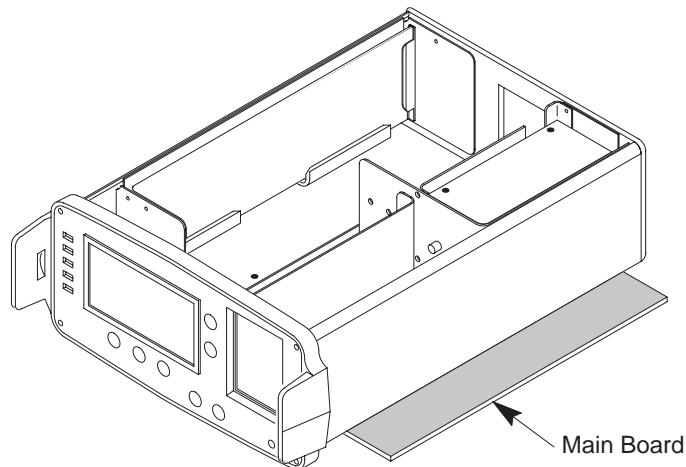


Figure 6–46: Location of Main Board in Instrument

**+12 VDC** *Test points in this check are located on the Main Board.*

1. Turn the instrument over to access the Main Board.
2. Attach the positive (+) probe from the voltmeter to the + side (facing the edge of the board) of C9031.
3. Attach the negative (–) probe to the other side of C9035.
4. Turn the instrument POWER on and check that less than 4 Watts is drawn from the Variac.
5. Adjust R9032 for +12.0 VDC.



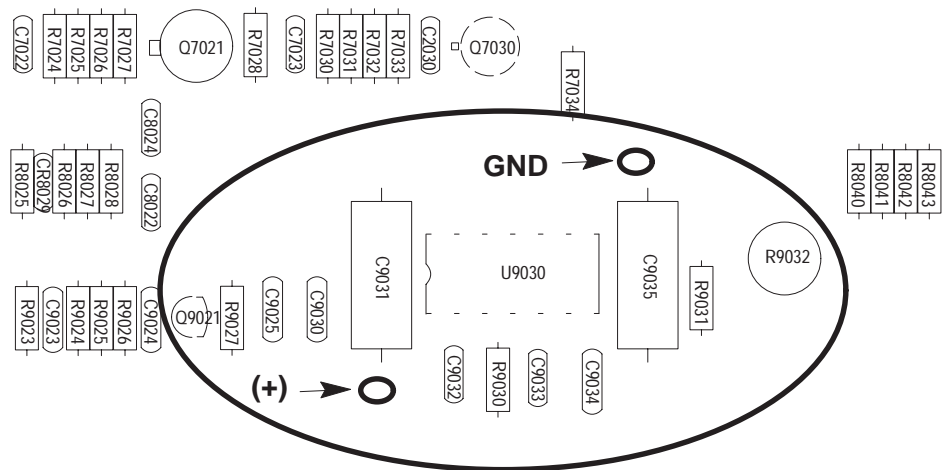


Figure 6-47: Main Board Probe Points

**-12 VDC**

Test points in this check are located on the Main Board.

1. Move the positive (+) probe to the ground side of C9035 (the side away from the edge of the board).
2. Verify that the voltage is -11.8 to -12.2 VDC.
3. Verify that the LCD shows the following display:

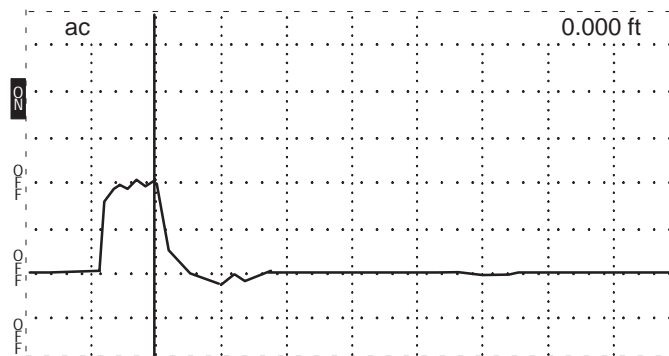


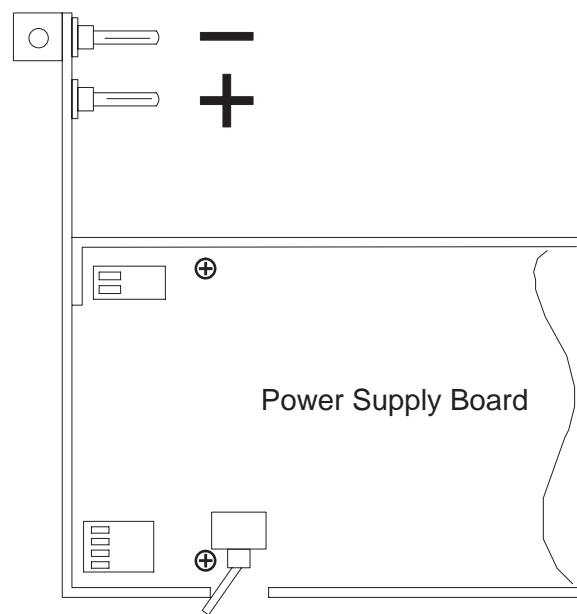
Figure 6-48: Waveform on Display

You might have to adjust R1018 (Contrast Adjust) on the Front Panel Board to get a clear display (see *LCD Check and Adjustments* in this section).

**DC Power Check**

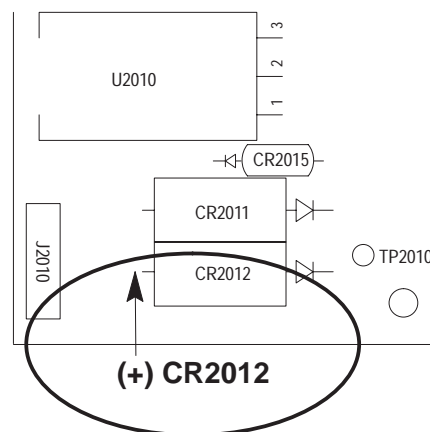
1. Turn the POWER off.
2. Remove the AC plug from the rear panel of the instrument.

3. Connect an external 12 VDC power supply into the battery port jacks. Make sure you observe proper polarity. The positive side of the battery pack port is next to the Power Supply Board. The negative side is next to the Driver/Sampler Board.
4. Adjust the external 12 VDC supply for +11.5 VDC output at the terminals of the battery input.
5. Connect a DC ammeter in series with the positive (+) side of the 12 VDC supply. The current measurement must not exceed 350 mA.



**Figure 6-49: Battery Pack Port Jacks on Frame**

*The following test points are located on the Power Supply Board.*



**Figure 6-50: CR2012 on Power Supply Board**

6. Connect the positive (+) probe of the voltmeter to the front side of CR2012 on the Power Supply Board (this is the large diode next to J2010. The positive probe should be on the non-banded end).
7. Connect the negative (-) probe to ground.
8. Turn the 1502B POWER on. The instrument should initialize and go into normal operation. The display will be normal except *ac* in the upper left corner will have changed to *bat*.

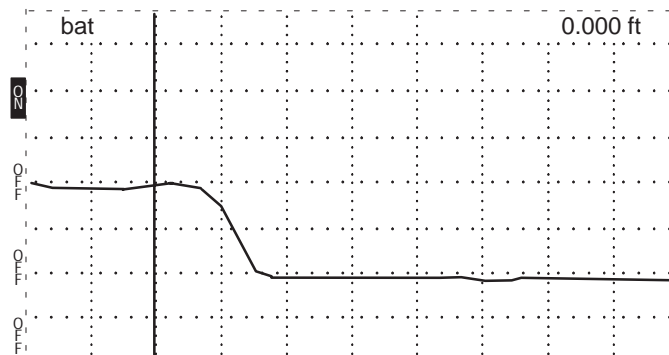


Figure 6-51: Display Showing Power is Battery

9. Reduce the output voltage of the DC power supply until *bat/low* appears in the upper left corner of the display.

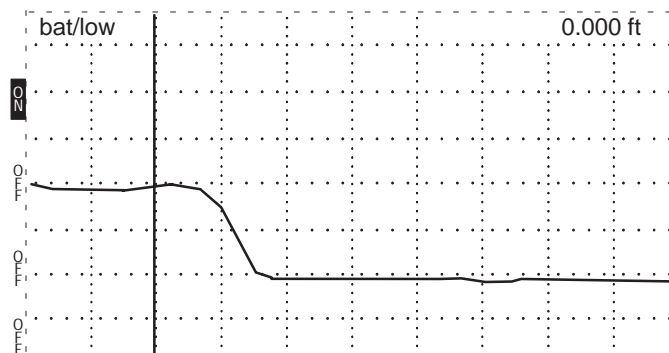


Figure 6-52: Display Showing Battery Voltage is Low

10. Verify that the DC supply voltage is between 10.6 and 11.0 VDC.
11. Remove the voltmeter probes from the 1502B.
12. Remove the external 12 VDC power supply cable from the battery pack port.
13. Connect the AC supply cord to the rear panel.

## Charging Current Check (with optional battery pack)

The following test points are located on the Power Supply Board.

1. Turn the POWER off.
2. Plug the optional battery pack into the battery pack port.
3. Connect a voltmeter across the  $4\Omega$  resistor, R2012, located on the Power Supply Board.

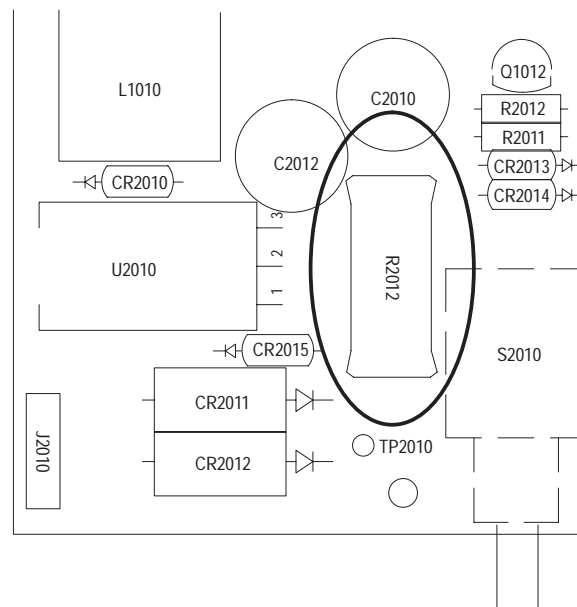


Figure 6-53: R2012 on Power Supply Board

4. Connect the positive (+) probe to the side nearest the front panel and the negative (-) probe to the other end.

The voltage drop across R2012 should be between 0.4 VDC and 1.2 VDC.

5. Turn the POWER on.

The voltage reading across R2012 should change only slightly ( $\pm 10$  mV).

---

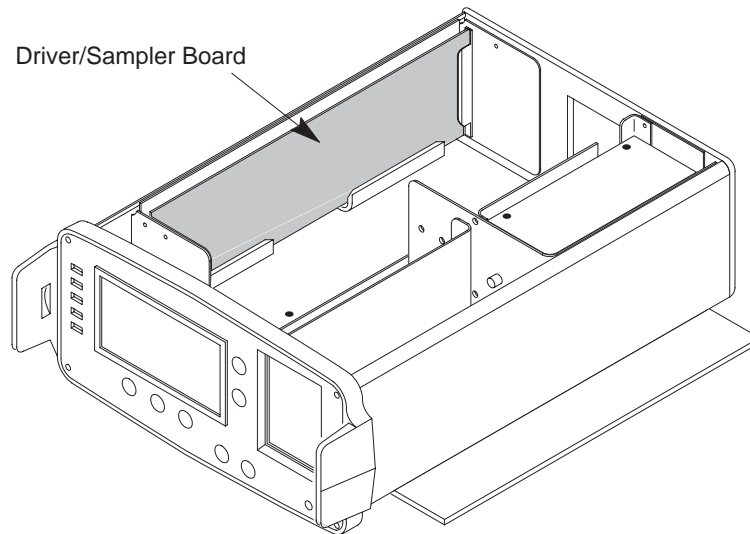
**NOTE.** The charging current will vary according to the level of charge already on the battery. With a fully charged battery, the voltage across R2012 should be approximately 0.4 VDC. With a battery below 11 Volts, R2012 should read approximately 1.2 VDC.

---

## Impedance Check

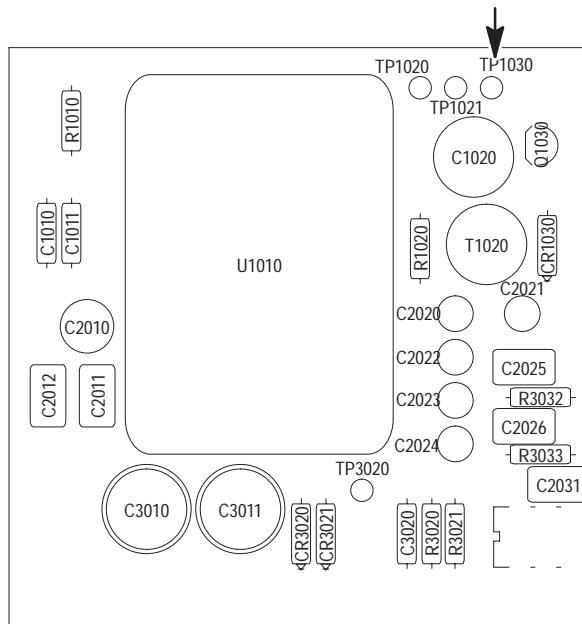
If the instrument fails this check, it should not be used for loss or impedance measurements.

*The following test points are located on the Driver/Sampler Board.*



**Figure 6-54: Driver/Sampler Board Location**

1. Turn off the POWER to the instrument.
2. Remove the cover of the Driver/Sampler Board (see *Maintenance* chapter).



**Figure 6-55: TP1030 on Driver/Sampler Board**

3. Using a precision Ohmmeter, measure the resistance from the 0.6 VDC supply (TP1030) to the center conductor of the front-panel CABLE connector.
4. Subtract the resistance of the Ohmmeter test probes. The result should be between  $49.5 \Omega$  and  $50.5 \Omega$ .

## LCD Check and Adjustment

1. Turn POWER on.
2. Push MENU.
3. Using the  $\nabla$  POSITION control, scroll to *Diagnostics Menu*.
4. Push MENU.
5. Scroll to *LCD Diagnostics Menu*.
6. Push MENU.
7. Scroll to *LCD Alignment Diagnostic*.
8. Push MENU.

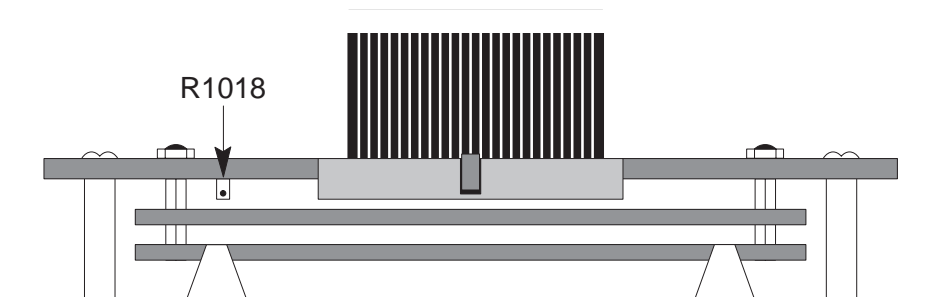


Figure 6-56: R1018 on Front Panel Board

9. Observe the LCD as you adjust R1018 (Contrast Adjust) counterclockwise until the entire pattern starts to dim.

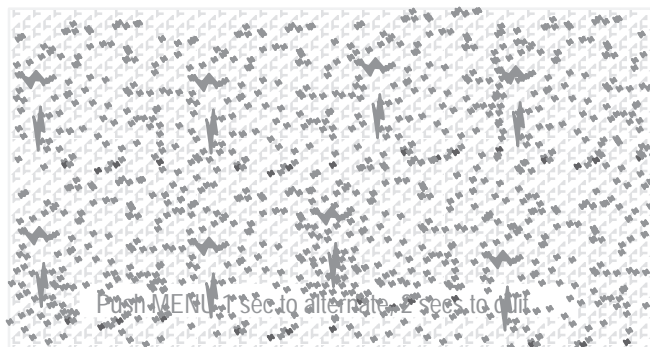
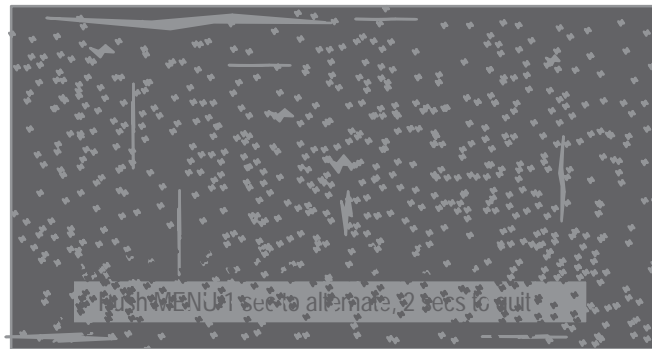
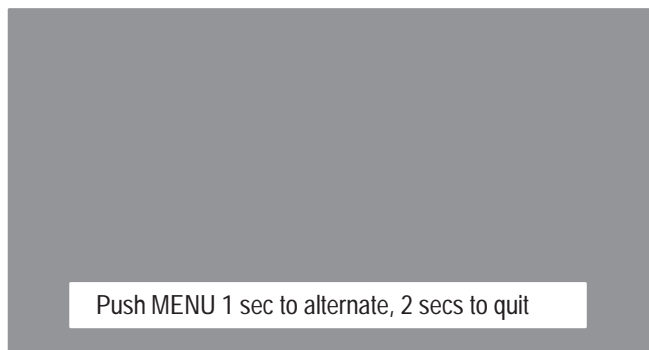


Figure 6-57: LCD Pattern with Contrast Too Light



**Figure 6-58: LCD Pattern with Contrast Too Dark**

- 10.** Turn R1018 clockwise until the entire pattern is clear and sharp.



**Figure 6-59: LCD Pattern Adjusted for Sharpness**

- 11.** Press MENU once quickly. The ON pixels will be toggled off and the OFF pixels will be toggled on. Watch to see if all the pixels are being activated.
- 12.** Once contrast has been set using the LCD pattern, verify it with a normal waveform display.
  - a.** Ensure that the instrument has been at  $75^{\circ}\text{F} \pm 5^{\circ}\text{F}$  ( $25^{\circ}\text{C} \pm 3^{\circ}\text{C}$ ) for at least one hour (operating or non-operating).
  - b.** Turn the instrument on and allow it to warm up for at least five minutes. If the instrument was already on (e.g., you are performing this adjustment immediately after steps 1 – 11), then cycle the power off, then back on again to return it to default settings.
  - c.** While a waveform is on the display, adjust R1018 on the Front Panel Board counterclockwise until most of the display has dimmed.

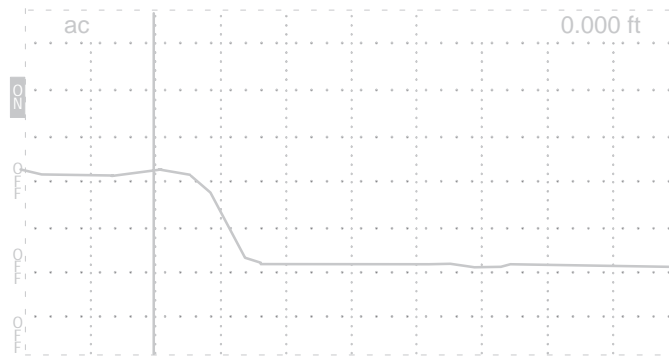


Figure 6-60: Waveform with Contrast Too Light

- d. Start rotating R1018 slowly clockwise until all of the pixels are just visible on the display. If you go too far, restart the adjustments at step c.
- e. Rotate R1018 one quarter turn clockwise past the point of step d.

---

**NOTE.** It is important to always determine the proper contrast setting by coming from a faded display. It takes a higher threshold voltage to turn a pixel on than it does to turn one off. If it is done from the other direction, the display will be too bright.

---

- f. Inspect the display for any bleeding (areas that are too dark) or any fading (areas that are too light).
- g. Turn the instrument off.
- h. After waiting a few seconds, turn the instrument back on.
- i. Reinspect the display for bleeding or fading.
- j. Readjust R1018 if necessary.

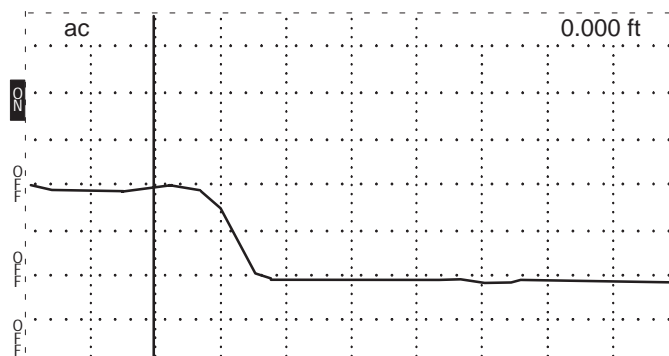


Figure 6-61: Waveform with Contrast Adjusted Correctly



If the Contrast Adjust is set properly, you will be able to see the cursor clearly when it is moved rapidly across the display. If any residual images are made by the cursor movement, they should fade out quickly.

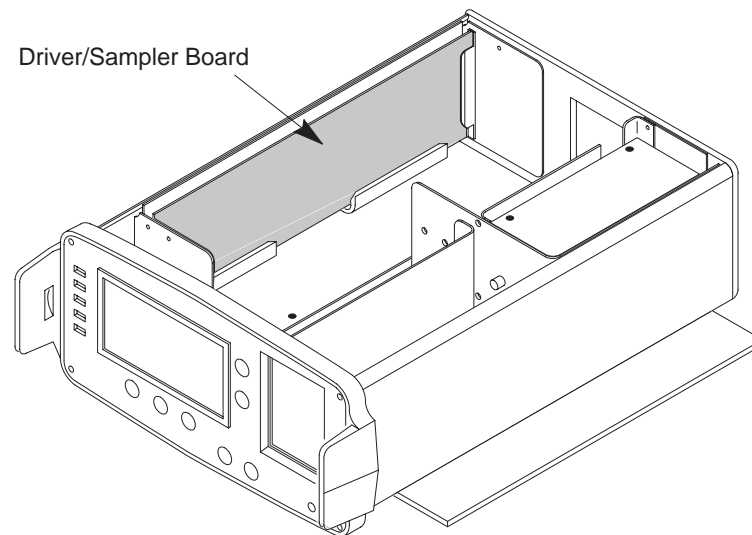
---

**NOTE.** *If you are unable to adjust the contrast, or if pixels are not functioning, see the Troubleshooting section in the Maintenance chapter of this manual.*

---

## Zero Offset Adjust

The following adjustment is located on the Driver/Sampler Board.



**Figure 6-62: Driver/Sampler Board Location**

1. Turn off the POWER to the instrument.
2. Remove the EMI shield covering the Driver/Sampler Board (see *Maintenance* chapter).
3. Turn the POWER on.
4. Adjust the  $\triangleleft \triangleright$  POSITION control until the distance window reads  $-2.000$  ft.
5. Adjust the  $\triangle$  POSITION control to center the baseline on the center horizontal graticule line (see Figure 6-63, next page).
6. Set the front-panel controls:

CABLE	no connection
NOISE FILTER	1 avg
VERT SCALE	10 m $\mu$
DIST/DIV	0.2 ft/div
V <sub>P</sub>	.99

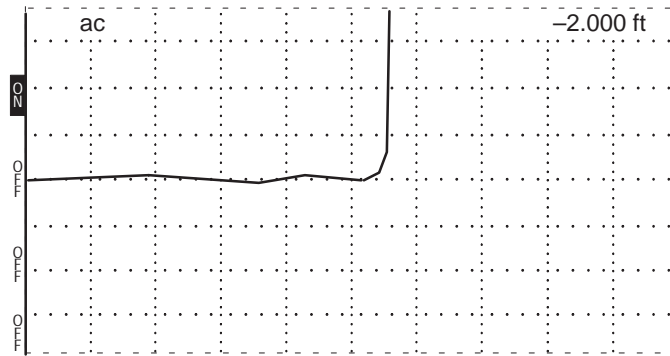


Figure 6-63: Incident Pulse at -2.000 ft

7. If necessary, readjust the  $\Delta$ POSITION control to center the baseline on the center horizontal graticule line.
8. Attach the 3-foot precision cable to the front-panel CABLE connector. This will probably cause the waveform to move slightly on the display.
9. Adjust R1042 (Zero Offset) to move the waveform to the same position as when no connector was attached to the front panel.

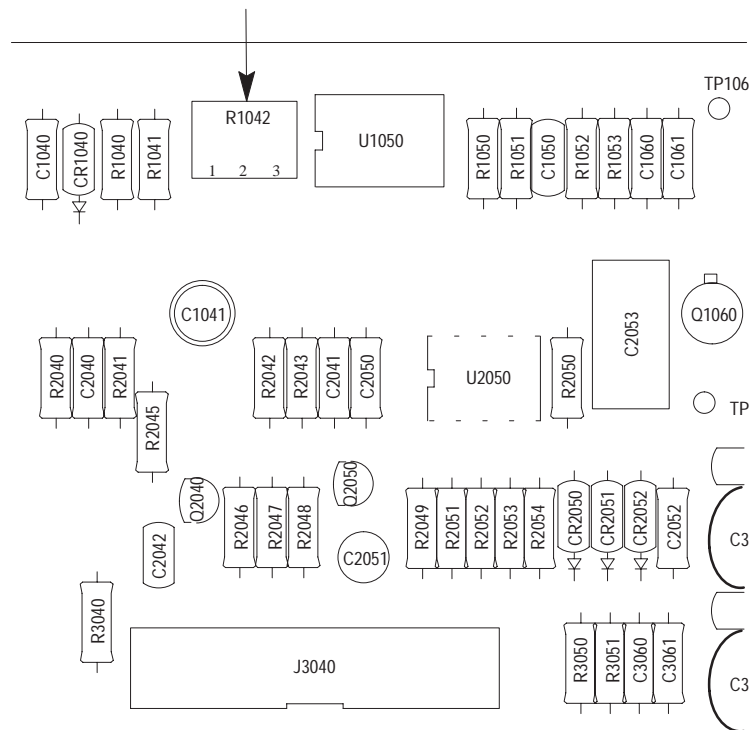


Figure 6-64: R1042 on Driver/Sampler Board

10. Remove the 3-foot precision cable.
11. Verify that the waveform moves less than 0.5 division.

---

**NOTE.** *Some changes in shape of the baseline before the leading edge is normal. If this measurement is difficult to make, access the Service Diagnostic Menu and change the timebase mode from Timebase is:Normal – Auto Correction to Timebase is: Diagnostic – No Correction. This will give more stability to the pulse when the cable is connected.*

---

12. Turn the instrument off.
13. Replace the Driver/Sampler EMI shield. Be sure the ribbon cable is placed in the center slot of the shield so it won't be crushed by the shield.

## After Adjustments are Completed

1. If the instrument is Option 05 (metric), refer to the *Maintenance* chapter to return the metric default jumper to its proper position.
2. Reinstall the 1502B in its case (refer to the *Maintenance* chapter of this manual). Care should be taken to follow the directions to maintain watertight integrity of the case.
3. Turn back to the *Calibration* section of this chapter and perform all those *Performance Checks* that did not require case-off adjustments.



# Maintenance

## Introduction

This chapter contains information on preventive and corrective maintenance, troubleshooting, panel control assembly procedures, and shipping instructions. Please refer to schematics for physical location of circuits and components.

---

**NOTE.** We recommend that service be performed at an authorized Tektronix Service Center or by a technician skilled in sampling and pulse techniques.

---

### Equipment Required

This is a list of common tools needed to accomplish all the maintenance procedures that follow:

5/16" hex nut driver	Phillips-head screwdriver
11/32" hex nut driver	Straight-blade screwdriver
1/16" hex wrench	Torque driver
5/16" open-end wrench	Soldering and desoldering tools
7/16" open-end wrench	Cotton swabs, non-woven wipes
1/2" open-end wrench	Isopropyl alcohol, Loctite®, etc.

## Preventive Maintenance

Preventive maintenance includes cleaning, visual inspection, and lubrication. A convenient time to perform preventive maintenance is during the periodic performance check/calibration procedure. If the instrument has been subjected to extreme environments or harsh handling, more frequent maintenance might be necessary.

### Cleaning



---

**CAUTION.** Do not use chemical agents that contain benzene, toluene, xylene, acetone, etc., because of possible damage to plastics in the instrument.

---

The exterior case and front panel should be washed gently with mild soap and water.

The faceplate in front of the LCD should be cleaned gently with Kendall Webril non-woven wipes (Tek P/N 006-0164-00), or equivalent, moistened with isopropyl alcohol.

The interior of the 1502B is protected from dirt and dust as long as the option port and case are intact. However, if interior cleaning is necessary, blow off accumulated dust with low-pressure air and remove the remaining dirt with a soft brush, cotton swab, or pipe cleaner moistened with isopropyl alcohol.

**Lubrication** All the switches and potentiometers on the 1502B are sealed from external contaminants and, therefore, require little maintenance and no lubrication. Occasionally, blowing out accumulated dust is all that is needed.

**Visual Inspection** Obvious defects, such as broken connections, damaged boards, frayed cables, improperly seated components, and heat-damaged components should be corrected first before attempting further troubleshooting. Heat damage usually indicates a deeper problem somewhere in the circuitry and should be traced and corrected immediately.

We do not recommend electrical checks of individual components because defective components will become evident during instrument operation.

**Recalibration** After maintenance has been performed, the instrument should be checked as per the procedures in the *Calibration* chapter of this manual.

## Part Removal and Replacement

**AC Fuse** The fuse is accessible through the rear panel of the case.

1. Unscrew the fuse cover and remove.

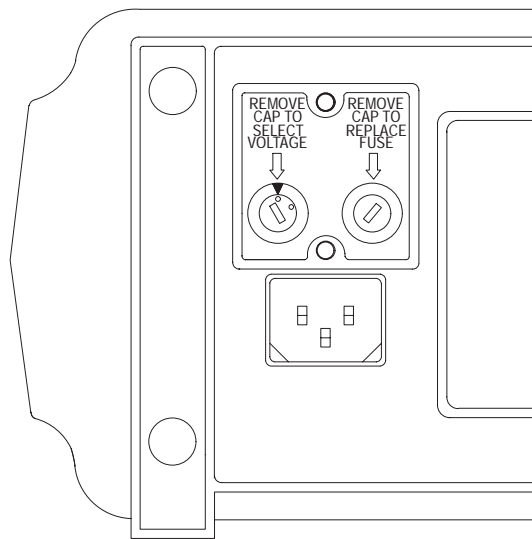


Figure 7-1: Location of Voltage Selector and Fuse Holder on Rear Panel

2. Use a straight-blade screwdriver to remove the fuse holder.
3. Check the voltage selector for proper voltage setting. If the instrument voltage selector is set for 115 VAC, replace the fuse with a 0.3 A fuse (Tek P/N 159-0029-00). If the voltage selector is set for 230 VAC, replace the fuse with a 0.15 A fuse (Tek P/N 159-0054-00).
4. Replace the fuse holder.
5. Replace the access cover.

### Removal of Case and EMI Shields

1. Remove the instrument front cover.
2. If installed, remove the battery pack from the back of the instrument.
3. If installed, remove the chart recorder, or other device, from the option port.
4. Loosen the four screws on the back of the case and set the instrument face-up on a flat surface.
5. Swing the handle out of the way of the front panel.
6. Break the chassis seal by pushing downward with both hands on the handle pivots on each side of the case..
7. Grasp the case with one hand and tilt the chassis out with the other. Lift by grasping the outside perimeter of the front panel.



---

**CAUTION.** Do not lift the instrument by the front-panel controls. The controls will be damaged if you do so.

---

8. Remove the screws holding the shields to the back frame.
9. Remove the screw in the middle of the bottom EMI shield.
10. Remove the EMI shields from the top and bottom of the chassis by carefully running a straight-blade screwdriver between the shield and the groove in the chassis rail.

### Checking Desiccant Cartridge (SN ≤ B037562 only)

Check the desiccant cartridge mounted on the rear of the chassis, inside the case. If the crystals of silica seen through the window of the cartridge are blue, the dehydrating agent is active and no further maintenance is required.



**CAUTION.** In a humid environment, it is imperative that the desiccant be checked to see if it is active. High humidity within the instrument can cause component damage, including the LCD.

Use caution when disassembling the instrument in a high humidity environment. Make sure the instrument is reassembled with rejuvenated agent per the following instructions.

---

If the silica has turned pink, the cartridge must be rejuvenated per the following procedure:



**CAUTION.** Do not disassemble the cartridge. The drying action of this material causes irritation of the mucous membranes of the nose and throat and irritation of the skin. Although it is considered non-toxic, avoid ingestion.

If the material comes in contact with the eyes, wash it from the eyes with large amounts of water and seek medical attention immediately.

If the material comes in contact with the skin, wash with soap and water.

---

### Rejuvenating the Desiccant Cartridge (SN ≤ B037562 only)

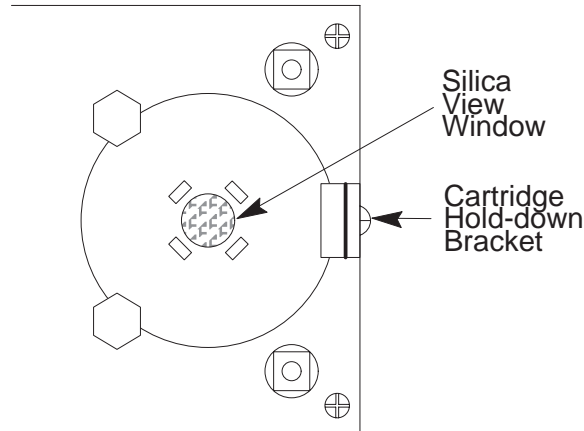


Figure 7-2: Desiccant Cartridge on Rear of Chassis

1. Loosen the cartridge hold-down bracket, located on the rear edge of the instrument chassis.
2. Remove the cartridge.
3. Heat the cartridge in an oven at approximately 350° F until the blue color is restored to the crystals.
4. Place the cartridge in an air-tight moisture-proof container until it is cool.
5. When cool, replace the cartridge in its brackets.



## Removing the Power Supply Module

6. Tighten the retaining bracket.

1. From the Power Supply Board, remove the 14-conductor ribbon cable. This is a keyed connector, so polarity is guaranteed upon reinstallation (Figure 7–3, 5).

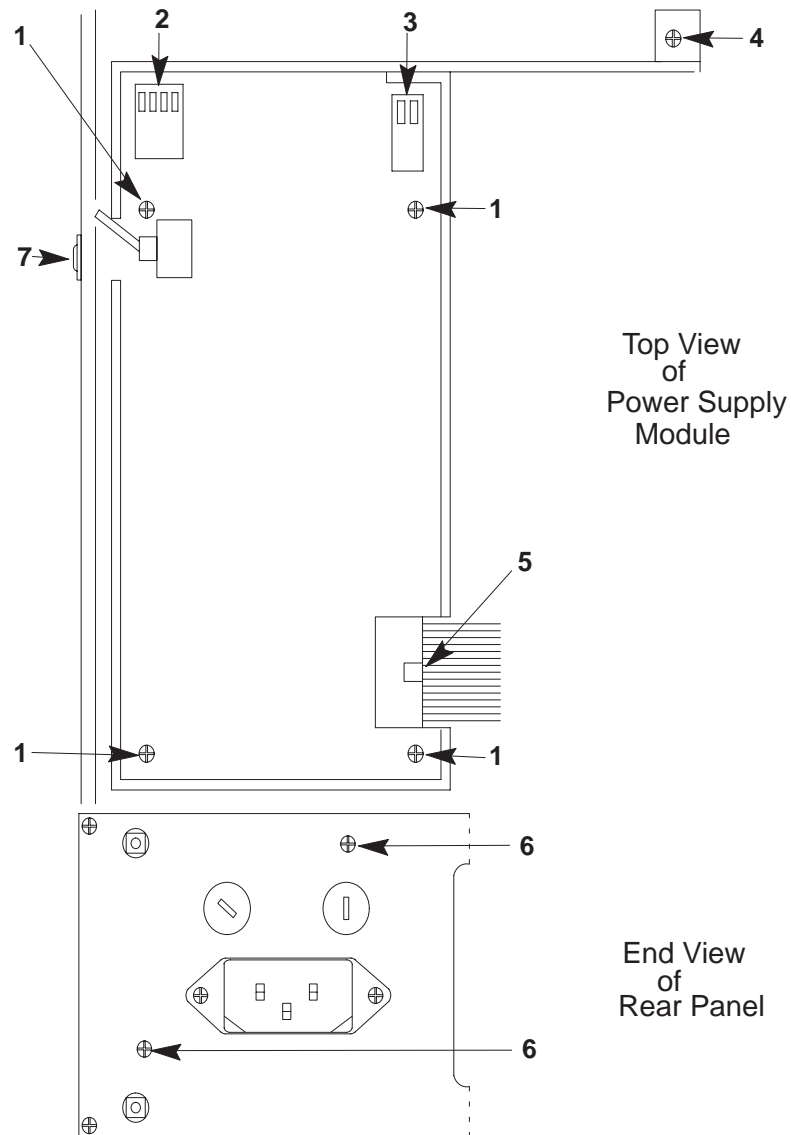


Figure 7–3: Power Supply Module and P/O Rear Panel

2. Remove the screw and washer located below the power switch on the instrument side panel (Figure 7–3, 7)
3. Remove the screw and washer holding the power supply module to the bottom chassis (Figure 7–3, 4).

4. Remove two screws holding the power supply module to the rear chassis panel. One is located near the AC power receptacle and the other is directly above the fuse holder (Figure 7–3, 6).
5. Remove the power supply module from the instrument by moving it toward the front of the instrument, guiding the power switch away from the mechanical linkage assembly.

---

**NOTE.** The screws identified as 1 hold the circuit board to the module. They should not be removed until you are ready to remove this circuit board from the module (next procedure).

---

### Removing the Power Supply Board

1. Remove the power supply module per previous procedure.
2. Remove the two-conductor harmonica connector (Figure 7–3, 3).
3. Remove the four-conductor harmonica connector (Figure 7–3, 2).
4. Remove four screws holding the circuit board to the module (Figure 7–3, 1).
5. Remove the Power Supply Board by carefully lifting up. Be sure the large capacitor on the bottom of the board clears the two nut blocks on the module side panels. If the board or the capacitor binds on either the nut blocks or the chassis side panel screw, remove the nut blocks.

### Removing the Power Transformer

1. Remove the power supply module and circuit board as per previous procedures.
2. Remove the three screws holding the side panel on the power supply module
3. Remove the side panel. This will provide access to the transformer.
4. Unsolder the six wires attached to the power transformer.
5. Unsolder the varistor (R101) from lugs 4 and 5.
6. Remove the two screws and lock-washers holding the power transformer to the chassis.
7. Lift out the transformer.

---

**NOTE.** When reassembling, add a small amount of *LocTite*® to the two transformer mounting screws in step 6.

---

### Removing the Power Cord Receptacle

1. Remove the power supply module, circuit board, and transformer per previous procedures.

2. Unsolder the three wires on the filter unit.
3. Remove the two screws and the spacer holding the receptacle.
4. Remove the filter unit from the rear of the module.

### Removing the Fuse Holder and Voltage Selector

1. Remove the power supply module, circuit board, and transformer per previous procedures.
2. Unsolder all four wires from the voltage selector switch.
3. Unsolder the two wires from the fuse holder.
4. Unscrew the hold-down nuts from both units.
5. Remove both units from the rear of the module.

### Power Cord Conductor Color Code

Conductor	Color	Alternate Color
Ungrounded (line)	Brown	Black
Grounded (neutral)	Blue	White
Grounded (earth)	Green/Yellow	Green

### Removing the DC (Battery) Banana Plugs

1. Remove both nuts from the banana plugs (see Figure 7–4, next page).
2. Remove the plugs from the power supply module.

---

**NOTE.** During reassembly, be aware that the positive (+) plug is on the side closest to the Power Supply Board. The order of parts must be: plug, solder lug (with capacitor), plastic shouldered washer, and on the other side of the chassis wall, the mica insulating washer, metal washer, then nut. The negative (–) plug sequence is: plug, solder lug (the other side of the capacitor), plastic shouldered washer, and on the other side of the chassis wall, the nut.

---

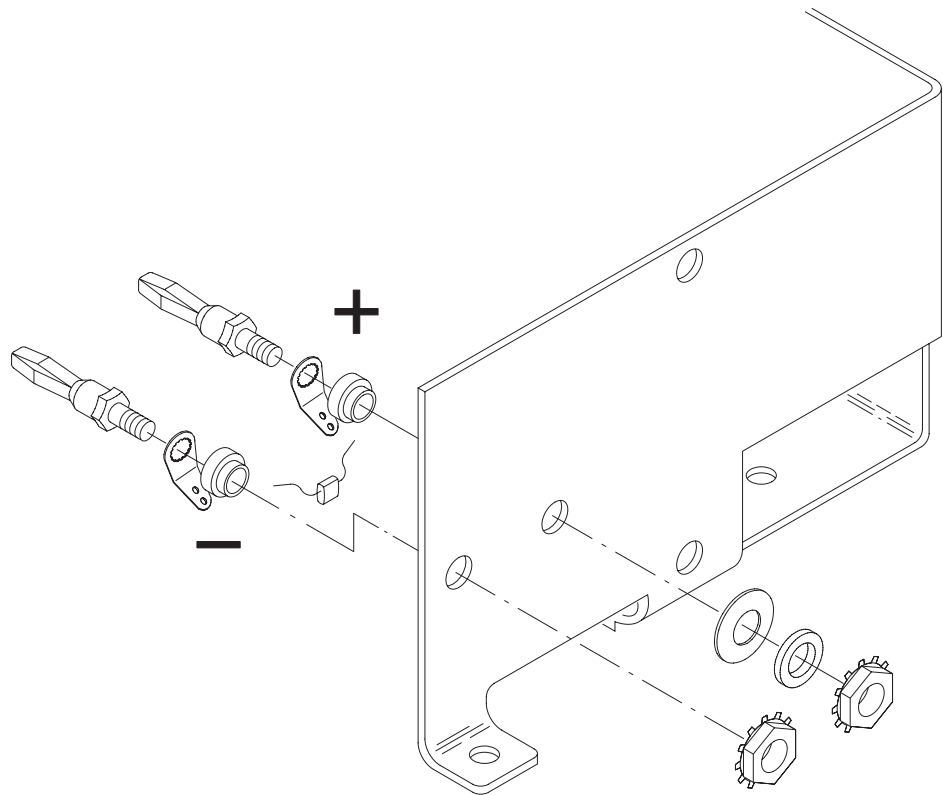


Figure 7-4: DC (Battery) Banana Plugs

### Removing the Main Board

1. From the top side of the instrument, remove the multi-colored cable (power supply) from the Main Board.
2. Turn the instrument upside down to expose the top of the Main Board.
3. Remove the three multi-colored cables from the component side of the Main Board. This can be accomplished by inserting a small straight-blade screwdriver in the key and gently prying the connector from the board. Take care to guide the connectors straight off to avoid bending the pins.
4. Remove the eight screws and the center spacer post (with washer and locknut) that fasten the Main Board to the chassis.
5. Remove the Main Board, taking care to avoid binding on the power switch mechanical linkage.

---

**NOTE.** One of the corner screws (see Figure 7-5, next page) holds a ground strap connector.

---

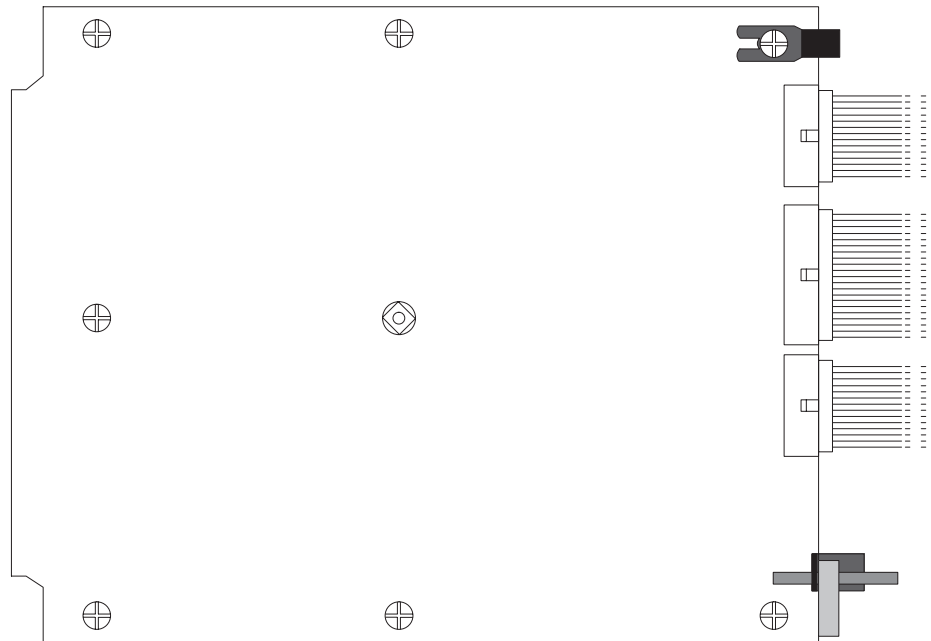


Figure 7-5: Main Board

### Elapsed Time Indicator (SN <B020511 only)

If the elapsed time indicator on the Main Board has reached 5,000 hours, it may be left in place, replaced, or reversed. If the device is reversed, simply read the hours backwards from 5,000 to zero hours.

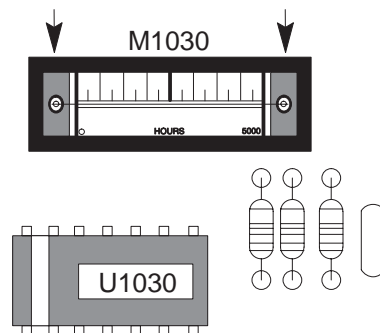


Figure 7-6: Elapsed Time Indicator on Main Board

### Replacement

1. To replace, unsolder both ends and remove.
2. Insert a new timer and re-solder.

### Reversal

1. Unsolder both ends of the timer and remove it from the board.
2. Reverse the direction it was mounted previously and re-solder.

### EPROM Replacement

1. Use an IC puller that is designed to extract multi-pin microcircuits to remove the EPROM from its socket.

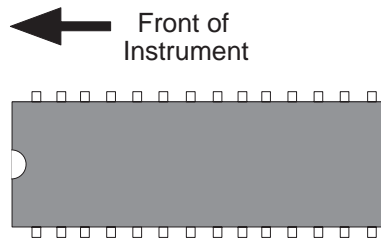


Figure 7-7: EPROM on Main Board

2. When installing a new EPROM, make sure the notch in the IC is facing toward the front of the instrument and all pins are inserted correctly in the socket.

### Lithium Battery Replacement

Typically, the lithium battery for the non-volatile memory will last over seven years. If it requires replacement, use the following procedure.



**CAUTION.** To avoid personal injury, observe proper procedures for handling and disposal of lithium batteries. Improper handling might cause fire, explosion, or severe burns. Do not recharge, crush, disassemble, heat the battery above 212° F (100° C), incinerate, or expose the contents of the battery to water. Dispose of the battery in accordance with local, state, and federal regulations. Typically, small quantities (less than 20 batteries) can be safely disposed of with ordinary garbage or in a sanitary landfill, but check local regulations before doing this.

1. Remove the Main Board as described in a previous procedure.

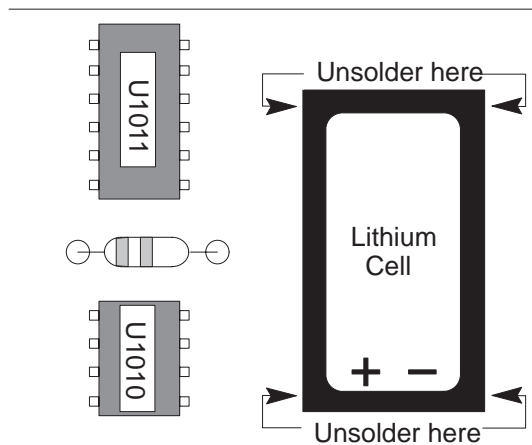


Figure 7-8: Lithium Battery on Main Board

2. Unsolder the four leads of the lithium battery, being careful not to overheat the cell.
3. Remove the cell from the Main Board.
4. Install a new battery and solder the leads to the Main Board. Be sure that the new battery is one that is supplied or authorized by Tektronix. An improper replacement cell could cause irreversible damage to the Main Board circuitry.

### Removing the Driver/Sampler Board

---

*NOTE. If the instrument is equipped with Option 06, Ethernet Adapter Board, follow the instructions under Option 06 in this chapter. There is an illustration in the Replaceable Mechanical Parts chapter showing the Option 06 and Driver/Sampler Boards.*

---

1. Remove the two screws and washers holding the cover to the chassis.
2. Remove the cover by sliding it toward the center of the instrument. When re-assembling, make sure the cable is placed under the slot provided.
3. Disconnect the multi-conductor cable from the circuit board.
4. Remove the coaxial cable from the circuit board.
5. Remove the circuit board from the instrument by sliding it out of the card guides.

### Removing the Front Panel Assembly

1. Using a hex wrench, disassemble the power switch linkage. This disconnects the front-panel switch shaft from the linkage block.
2. Remove the three multi-conductor cables from the Main Board.
3. Remove the Driver/Sampler Board EMI shield.
4. Remove the coaxial cable from the Driver/Sampler Board.
5. Remove the four corner screws on the instrument front panel.
6. Carefully guide the coaxial cable through the Driver/Sampler card cage.
7. Remove the Front Panel Assembly from the instrument chassis.

### Removing the Display Module/Front Panel Board

1. Using the previous procedure, remove the Front Panel Assembly from the instrument.
2. Remove all knobs.

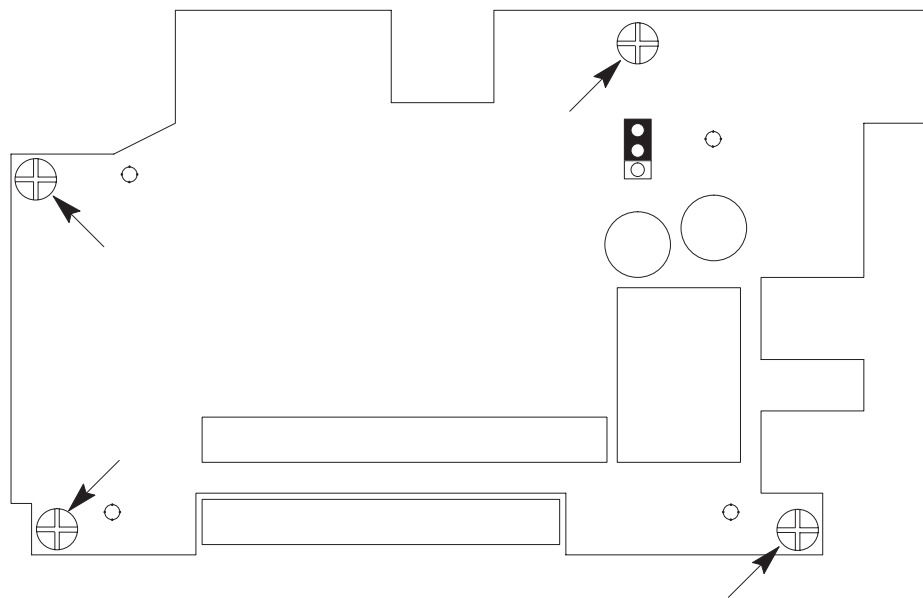
3. Remove the hex nuts and washers from the front-panel controls.
4. Remove the buttons by pressing gently on the rubber boot behind each button.



**CAUTION.** Take care not to use a sharp object to remove the buttons because it might puncture the rubber boot, thereby subjecting the instrument to moisture/water intrusion.

**NOTE.** When re-assembling, push the rubber boot down on the switch shaft so that the switch button can easily be replaced.

5. Remove the four screws holding the Display Module/Front Panel Board to the front panel (see Figure 7-9).



**Figure 7-9: Display Module/Front Panel Board Screw Locations**

6. Carefully lift the Display Module/Front Panel Board from the front panel.

### Removing the Front Panel Board from the Display Module

1. Remove the four hex nuts (two are shown in Figure 7-10, next page) that hold the Display Module to the Front Panel Board.
2. Disconnect the ribbon cable from the boards.
3. Carefully separate the Display Module from the Front Panel Board.



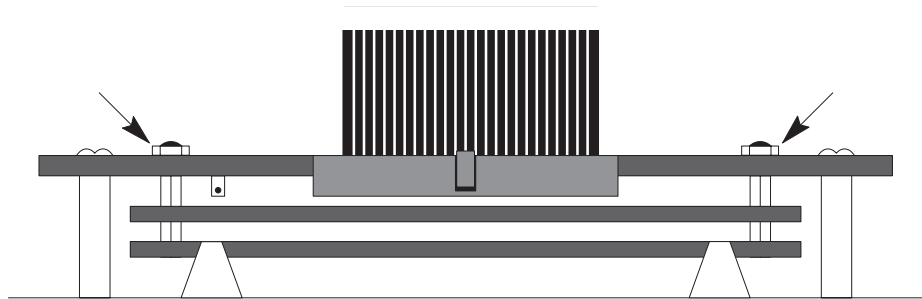


Figure 7-10: Display Module/Front Panel Board Showing Hex Nuts



**CAUTION.** Do not further disassemble the Display Module. Elastomeric splices are used between the circuit boards and they require special alignment fixtures. Parts replacement requires special surface-mount technology.

### Changing the Default to Metric

The instrument will power up displaying DIST/DIV measurements as meters (m/div) or feet (ft/div). Although either measurement mode may be chosen from the *Setup Menu*, the default can easily be changed to cause the preferred mode to come up automatically at power up.

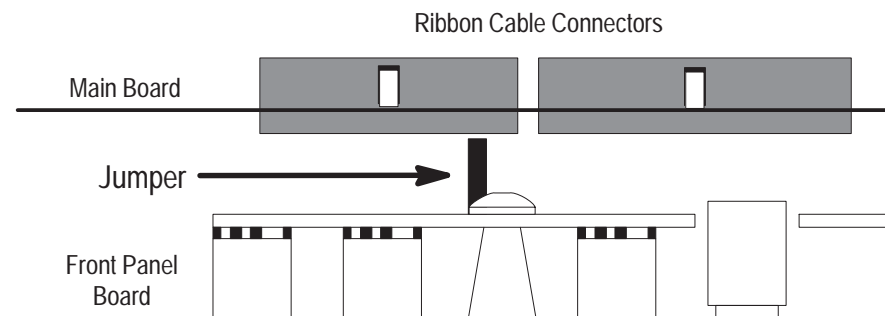
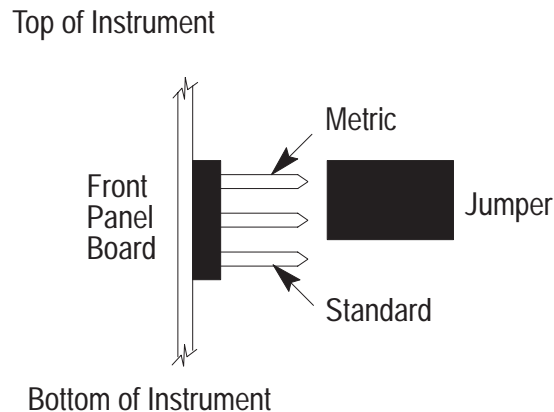


Figure 7-11: Location of Default Jumper on Front Panel Board

1. Remove the instrument from the case.
2. Remove the bottom EMI shield.
3. From the bottom side of the instrument, peer into the space between the Main Board and the Front Panel Board. The default jumper is located behind the screw that holds the Front Panel Assembly to the front-panel mounting stud.



**Figure 7-12: Default Jumper Positions**

4. Using a needle-nose plier, slip the jumper off the pins and move it to the desired default position (top for meters, bottom for feet).

### Removing the Option Port Assembly

1. Remove the Power Supply Module as shown in a previous procedure.
2. Remove the Front Panel Assembly as previously described.
3. Remove the ribbon cable on the Main Board that connects the Main Board to the Option Port Assembly.
4. Remove the screw and washer from the instrument side panel.
5. Remove the nut from the bottom of the instrument.
6. The Option Port Assembly may be disassembled further by removing the four screws from the back of the assembly. This will allow easy access for replacement of the Option Port connector.

## Troubleshooting

### Troubleshooting Flow Chart

When encountering difficulties with the instrument, first use the troubleshooting chart in the *Operation* chapter. This might eliminate any minor problems such as fuse or power problems.

The following troubleshooting flow charts (starting on page 7-17) are designed to give you an idea where to start. The *Circuit Descriptions* and *Schematics* chapters will give further assistance toward solving the problem.

The Main Board waveforms represented on the flow chart are representative of an instrument in operation per the setup at the top of the flow chart. Additional Main Board waveforms are also included in this section.

### Test Point Waveforms

The following Main Board waveforms are similar to the waveforms found on the troubleshooting flow chart. In some cases, however, the oscilloscope was set to show timing rather than the detail of the waveform. For example, TP7010 on the flow chart shows the detail of the pulse, but the same test point in the following figures shows the repetition rate.

Set the 1502B front-panel controls:

CABLE	Attach 3-ft cable
NOISE FILTER	1 avg (3rd position CW)
VERT SCALE	default
DIST/DIV	1 ft/div (4th position CW)
Vp	.66
Vertical Position	default
Horizontal Position	default

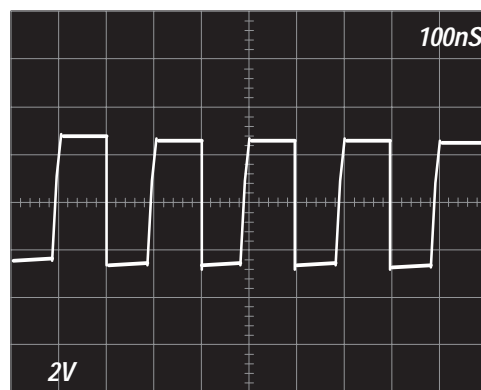
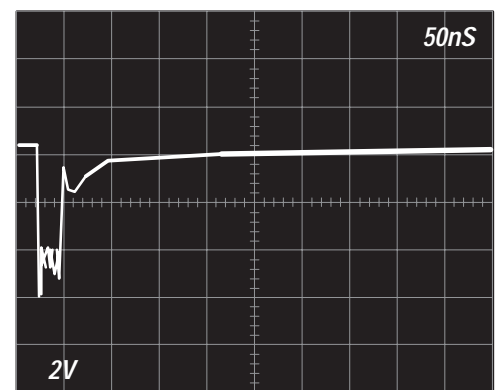


Figure 7-13: Main Board TP1041



Main Board TP3040

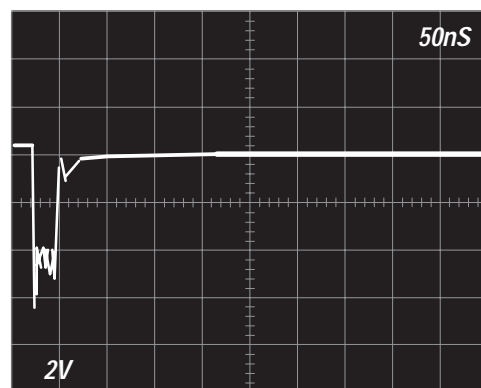
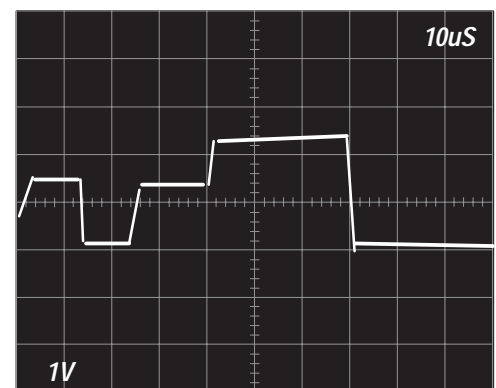


Figure 7-14: Main Board TP3041



Main Board TP4040

(waveforms continued next page)

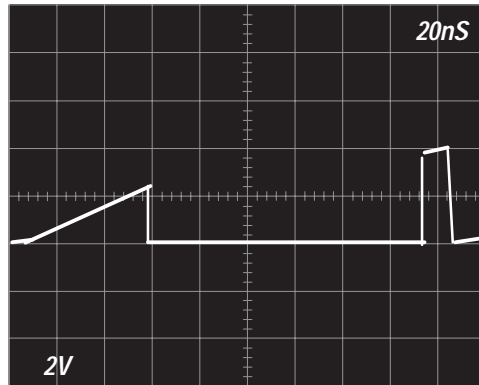
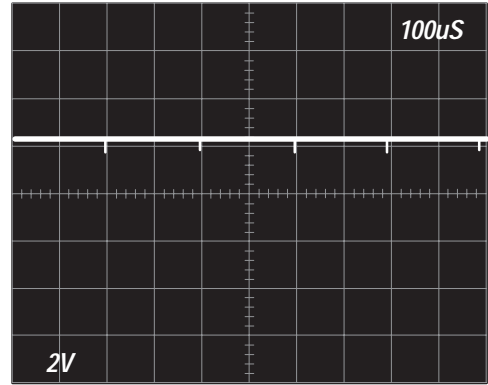


Figure 7-15: Main Board TP6010



Main Board TP7010

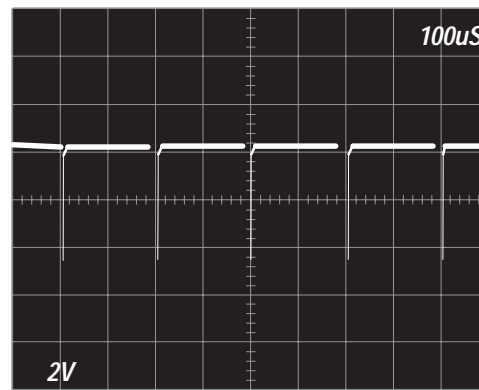
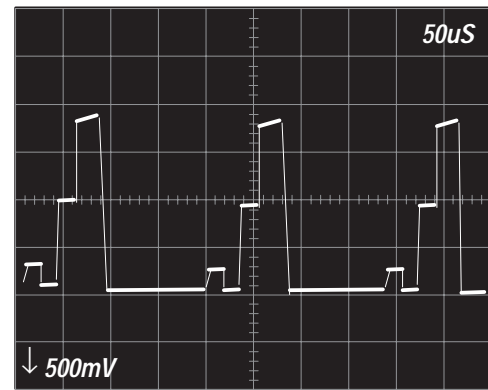


Figure 7-16: Main Board TP9011



Main Board TP9041

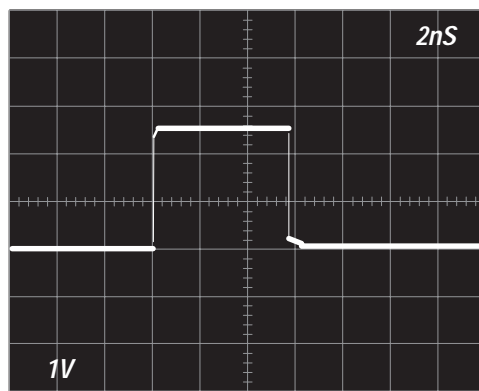
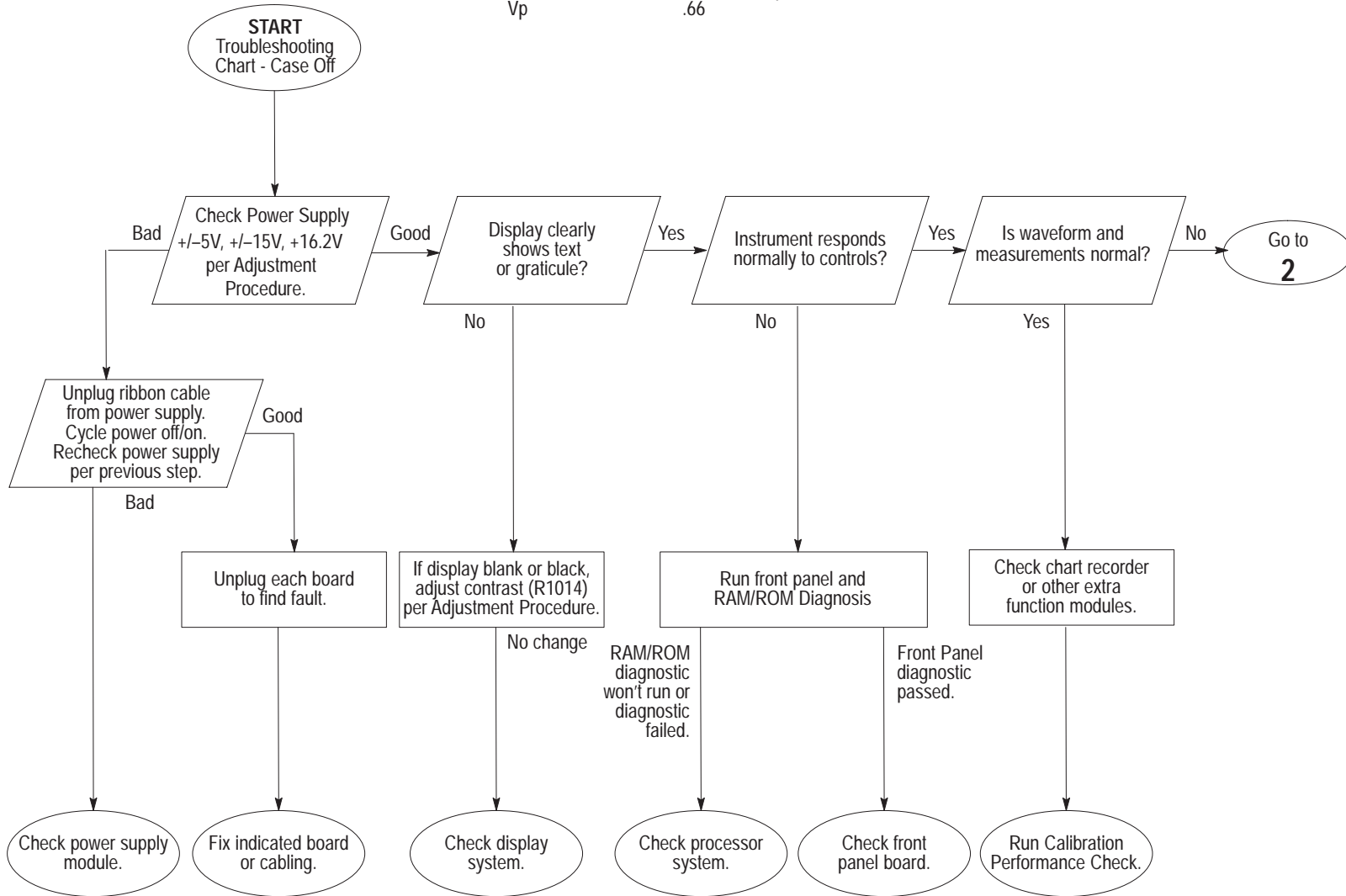


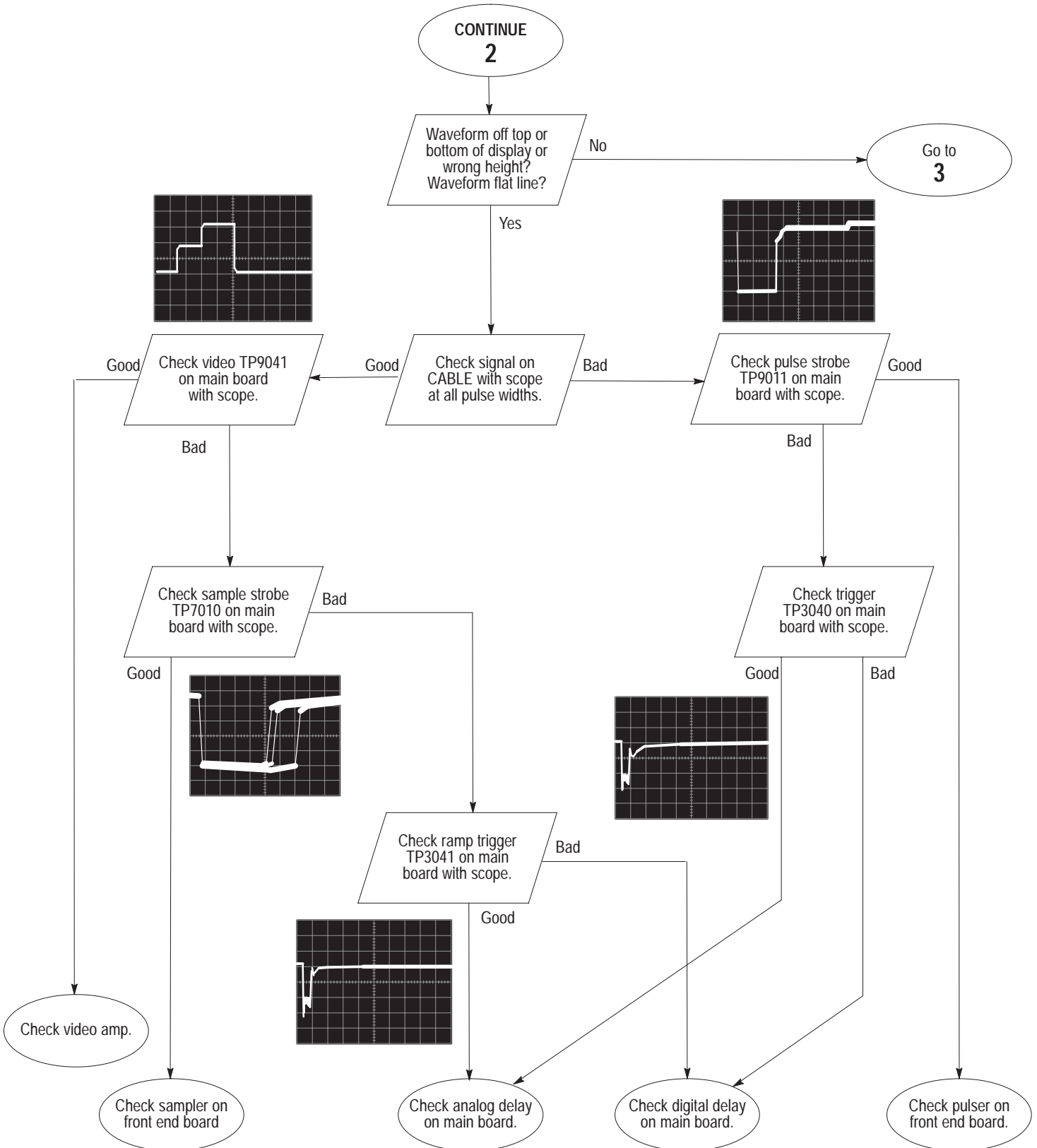
Figure 7-17: Front Panel CABLE Connector

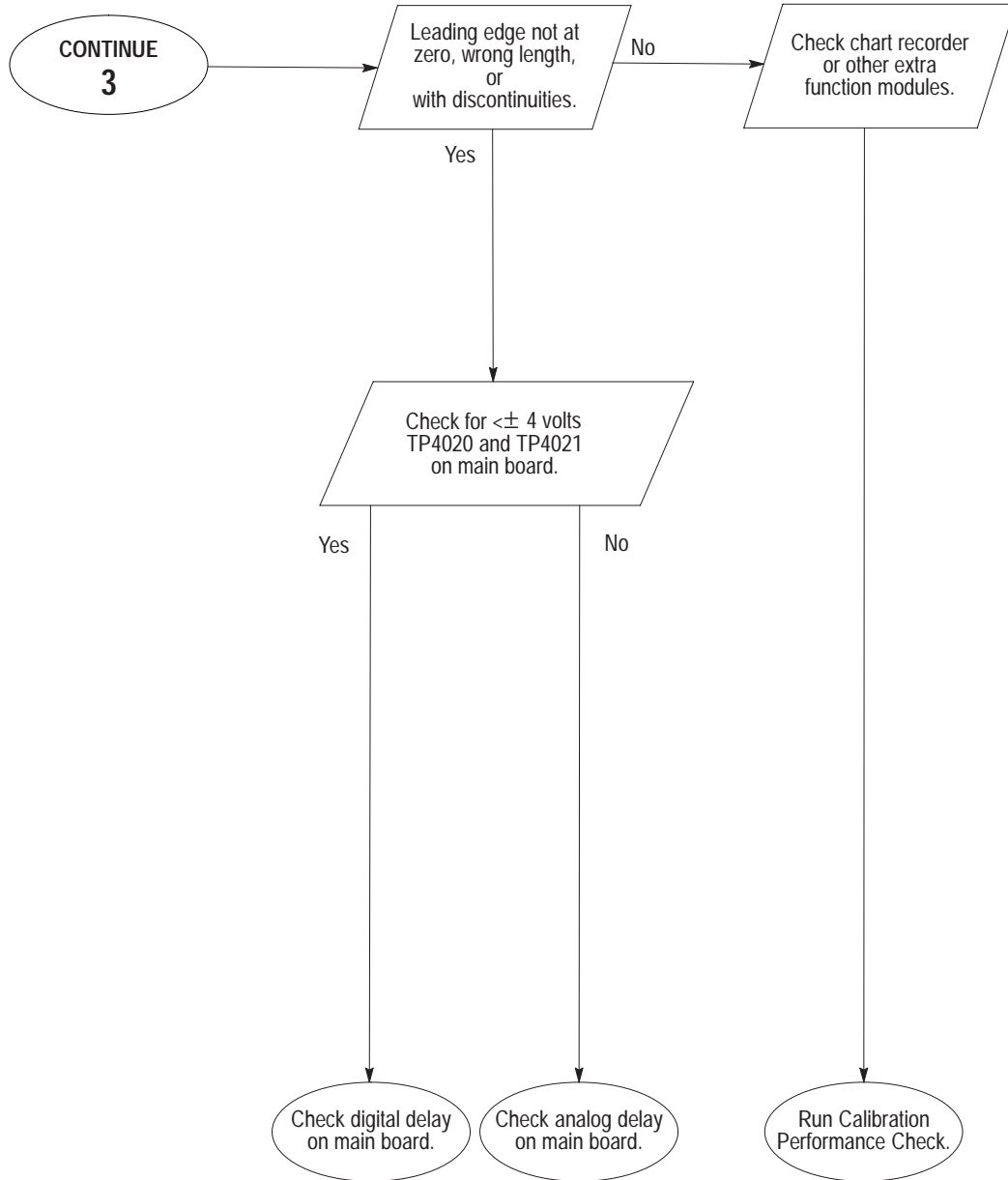
Set Front Panel controls:

CABLE  
NOISE FILTER  
DIST/DIV  
Vp

Attach 3-ft cable  
1 avg (3rd position CW)  
1 ft/DIV (4th position CW)  
.66







**When All Else Fails** If it becomes necessary to ship the instrument to an authorized Tektronix Service Center, follow the packing instructions as described in *Repacking for Shipment* on page xiv.

## Control Panel Installation

**Watertight Seals** To prevent moisture and dirt from getting into the 1502B, special seals are used around the LCD faceplate, options port, battery pack port, front panel, and front-panel button boot. Removing the front-panel button boot or other rubber seals will require special resealing procedures to retain the instrument weathertightness.

A list of sealants is provided on the next page to aid in reinstallation. However, we recommend that resealing be done only by an authorized Tektronix Service Center.

The front panel/cover seal should be inspected regularly and replaced every six to eight months, depending on the operating environment and use.

All other seals should be inspected during normal adjustment/calibration periods, paying special attention to the battery pack port seals, front panel/case seal, and option port seal.




---

**CAUTION.** *If the case, battery pack, option port, or a front panel control is removed, the weathertight integrity of the instrument will be compromised.*

---

### Sealing Materials

Tek Part No.	Sealant	Comments
006-2302-00	Dow Corning 3145 Adhesive Sealant	Use to secure rubber boot around buttons, implosion shield to front panel
252-0199-00	Dow Corning 3140 Coating	Use to secure case gaskets to chassis (more fluid sealant than 3145 with 24-hour cure time)
006-2207-00	GE G-661 Silicon Grease	Light coating on case gaskets to prevent sticking and provide a good seal
006-0034-00	Isopropyl alcohol	Cleaning agent

If a rubber boot or gasket is replaced:

1. Remove the old gasket.
2. Remove all dried adhesive.
3. Clean area with alcohol and let dry.



4. Run a small bead of 3140 Coating/Adhesive in the cutout where the new gasket will go.
5. Smooth the adhesive into an even, thin layer.
6. Clean the new gasket with alcohol and let dry.
7. Place the gasket on the adhesive and smooth into place. Make sure the edges are secure and there are no air bubbles under the gasket.
8. Let dry for 24 hours before using or reassembling the front panel.
9. Use silicon grease on the outer side of the front panel gasket and the battery gasket where they contact the instrument case.

The instrument rotary controls, the fuse and line voltage select access covers are sealed with rubber O-rings. These are not glued in place, but should be inspected and replaced if necessary.

## Top and Bottom EMI Shield Installation

1. Place the instrument on a solid, non-slip surface with the rear panel facing you.
2. Hold the EMI shield with the notches in the shield facing the front panel casting.

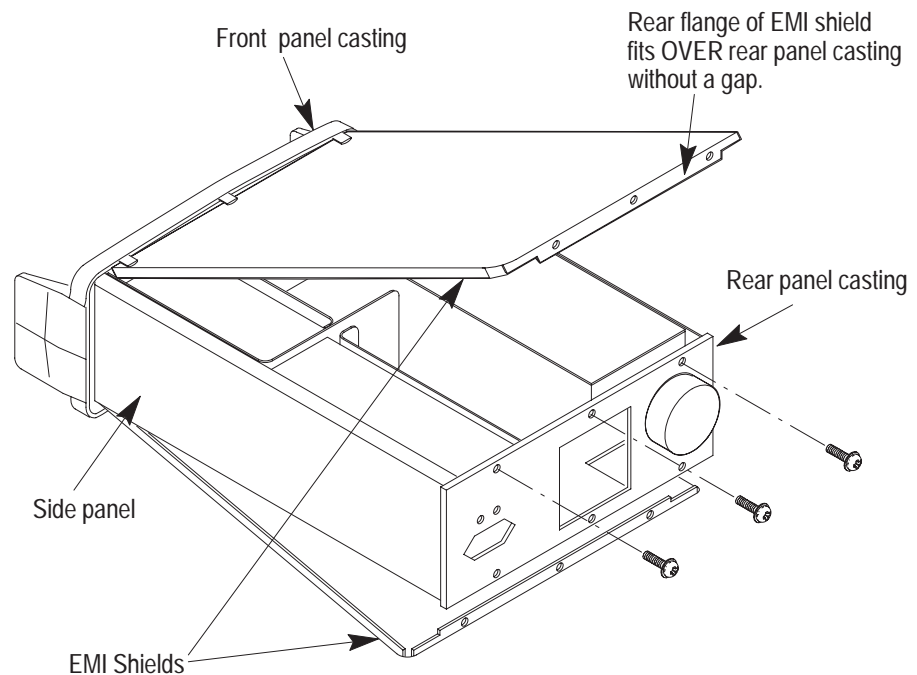


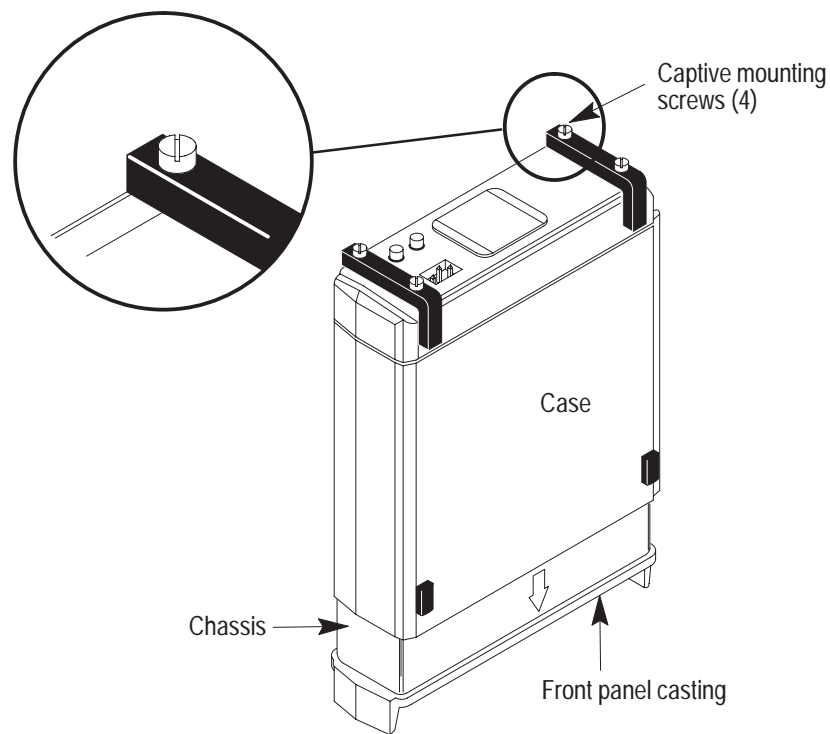
Figure 7-18: Installing Top and Bottom EMI Shields

3. Insert the leading edge of the shield under the lip of the front panel.

4. Gently push the shield forward under the lip of the front panel casting as you gently press the shield down until its side flanges mate with the grooves in the side panels. At this point, the rear flange of the shield should fit over the rear panel casting without a gap.
5. Secure the shield to the rear casting with three 4–40 screws at five inch-pounds of torque. The screw holes in the shield will be offset slightly from those of the casting. This assures that the shield will be pulled down tightly when the screws are driven in.
6. Turn instrument over and repeat for the other shield.

## Installing the Case Cover Over the Chassis

1. Place the instrument chassis face down on a solid, non-slip surface so that the rear panel is facing upward.



**Figure 7-19: Installing the Case Cover Over the Chassis**

2. Reach inside the case and use your fingers to push the four captive mounting screws out so that their heads stick up and out of the rear feet.
3. Align the case with the chassis.

4. Gently lower the case over the chassis until the front of the case makes contact with the groove that surrounds the front panel casting.
5. Using a flat-blade screwdriver, secure the four mounting screws (seven inch-pounds of torque). Each screw should be started by turning it counterclockwise once, then clockwise. Alternately tighten each screw, gradually, a few turns at a time.
6. Check the gap between the case and the front panel casting to make sure that the case and front panel are mated evenly all around. If not mated properly, loosen the screws, reposition the case, then tighten the screws again.





# Replaceable Electrical Parts

## Parts Ordering Information

Replacement parts are available from your Tektronix field office or representative. When ordering parts, include the part number plus instrument type, serial number, and modification number (if applicable).

If a part is replaced with a new or improved part, your Tektronix representative will contact you regarding any change in part number.

### List of Assemblies

A list of assemblies is found at the beginning of the replaceable electrical parts list. Assemblies are listed in numerical order. When the complete component number of a part is known, this list identifies the assembly in which the part is located.

### Mfr. Code Number-to-Manufacturer Cross Index

The manufacturer code number-to-manufacturer cross index provides codes, names, and addresses of manufacturers of components listed in the replaceable electrical parts list.

### Abbreviations

Abbreviations conform to ANSI standard Y1.1.

### Component Number

(Column 1 of electrical parts list)

A numbering method is used to identify assemblies, subassemblies, and parts. An example of this numbering method and typical expansions is as follows:

A23A2R1234 =	A23	A2	R1234
	↓	↓	↓
	Assembly Number	Subassembly Number	Circuit Number

Read: resistor 1234 of subassembly 2 of assy 23.

Only circuit numbers appear on the schematics and circuit board illustrations. Each schematic and illustration is marked with its assembly number. Assembly numbers are also marked on the mechanical exploded view located in the replaceable mechanical parts list. A component number is obtained by adding the assembly number prefix to the circuit number.

This parts list is arranged by assemblies in numerical sequence (e.g., assembly A1 with its subassemblies and parts precedes A2 with its subassemblies and parts).

Chassis-mounted parts have no assembly number prefix and are illustrated at the end of the replaceable mechanical parts list.

**Tektronix Part No.** (Column 2)

This column lists the part number used when ordering a replacement part from Tektronix.

**Serial/Model No.** (Columns 3 and 4)

Column 3 lists the serial number of the first instrument or the suffix number of the circuit board in which the part was used.

Column 4 lists the serial number of the last instrument or the suffix number of the circuit board in which the part was used. No entry indicates that the part is used in all instruments.

**Name and Description** (Column 5)

In this parts list, the item name is separated from its description by a colon (:). Because of space limitations, the item name may appear to be incomplete. For further item name identification, refer to the U.S. Federal Cataloging Handbook, H6-1.

**Mfg. Code** (Column 6)

This column lists the code number of the manufacturer of the part.

**Mfg. Part Number** (Column 7)

This column lists the manufacturer's part number.

## Manufacturers Cross Index

Mfr. Code	Manufacturer	Address	City, State, Zip Code
01002	GENERAL ELECTRIC CO CAPACITOR PRODUCTS DEPT	JOHN ST	HUDSON FALLS NY 12839
01121	ALLEN-BRADLEY CO	1201 S 2ND ST	MILWAUKEE WI 53204-2410
01295	TEXAS INSTRUMENTS INC SEMICONDUCTOR GROUP	13500 N CENTRAL EXPY PO BOX 655012	DALLAS TX 75265
01686	RCL ELECTRONICS/SHALLCROSS INC SUB OF HIRSCH AND ASSOCIATES INC	195 MCGREGOR ST	MANCHESTER NH 03102-3731
02111	HAMILTON STANDARD CONTROLS INC SPECTROL DIV	17070 E GALE AVE P O BOX 1220	CITY OF INDUSTRY CA 91749
03508	GENERAL ELECTRIC CO SEMI-CONDUCTOR PRODUCTS DEPT	W GENESEE ST	AUBURN NY 13021
04222	AVX CERAMICS DIV OF AVX CORP	19TH AVE SOUTH P O BOX 867	MYRTLE BEACH SC 29577
04426	ITW SWITCHES DIV OF ILLINOIS TOOL WORKS INC	6615 W IRVING PARK RD	CHICAGO IL 60634-2410
04713	MOTOROLA INC SEMICONDUCTOR PRODUCTS SECTOR	5005 E MCDOWELL RD	PHOENIX AZ 85008-4229
07716	TRW INC TRW IRC FIXED RESISTORS/BURLINGTON	2850 MT PLEASANT AVE	BURLINGTON IA 52601
09922	BURNDY CORP	RICHARDS AVE	NORWALK CT 06852
0B0A9	DALLAS SEMICONDUCTOR CORP	4350 BELTWOOD PKWY SOUTH	DALLAS TX 75244
0J9R5	MARCON AMERICA CORP	3 PEARL COURT	ALLENDALE NJ 07401
0JR03	ZMAN MAGNETICS INC	7633 S 180th	KENT WA 98032
0JR04	TOSHIBA AMERICA INC ELECTRONICS COMPONENTS DIV	2692 DOW AVE	TUSTIN CA 92680
10392	GENERAL STAPLE CO INC	59-12 37TH ST	WOODSIDE NY 11377-2523
12697	CLAROSTAT MFG CO INC	LOWER WASHINGTON ST	DOVER NH 03820
12954	MICROSEMI CORP - SCOTTSDALE	8700 E THOMAS RD P O BOX 1390	SCOTTSDALE AZ 85252
12969	UNITRODE CORP	5 FORBES RD	LEXINGTON MA 02173-7305
13409	SENSITRON SEMICONDUCTOR DIV OF RSM ELECTRON POWER INC	221 W INDUSTRY COURT	DEER PARK NY 11729-4605
14433	ITT SEMICONDUCTORS DIV		WEST PALM BEACH FL
14552	MICROSEMI CORP	2830 S FAIRVIEW ST	SANTA ANA CA 92704-5948
14936	GENERAL INSTRUMENT CORP DISCRETE SEMI CONDUCTOR DIV	600 W JOHN ST	HICKSVILLE NY 11802



**Manufacturers Cross Index (Cont.)**

<b>Mfr. Code</b>	<b>Manufacturer</b>	<b>Address</b>	<b>City, State, Zip Code</b>
16546	PHILIPS COMPONENTS DISCRETE PRODUCT DIV CHIP CAP/CHIP RES FACILITY	4561 COLORADO BLVD	LOS ANGELES CA 90039-1103
17856	SILICONIX INC	2201 LAURELWOOD RD	SANTA CLARA CA 95054-1516
18324	SIGNETICS CORP MILITARY PRODUCTS DIV	4130 S MARKET COURT	SACRAMENTO CA 95834-1222
18796	MURATA ERIE NORTH AMERICAN INC STATE COLLEGE OPERATIONS	1900 W COLLEGE AVE	STATE COLLEGE PA 16801-2723
19701	PHILIPS COMPONENTS DISCRETE PRODUCT DIV RESISTIVE PRODUCTS FACILITY	PO BOX 760	MINERAL WELLS TX 76067-0760
1ES66	MAXIM INTEGRATED PRODUCTS INC	120 SAN GABRIEL DRIVE	SUNNYVALE CA 94086
1W344	UNITED CHEMI-CON INC	9801 W HIGGINS SUITE 430	ROSEMONT IL 60018-4704
21847	FEI MICROWAVE INC	825 STEWART DR	SUNNYVALE CA 94086-4514
22526	DU PONT E I DE NEMOURS AND CO INC DU PONT ELECTRONICS DEPT	515 FISHING CREEK RD	NEW CUMBERLAND PA 17070-3007
24165	SPRAGUE ELECTRIC CO	267 LOWELL ROAD	HUDSON NH 03051
24355	ANALOG DEVICES INC	RT 1 INDUSTRIAL PK PO BOX 9106	NORWOOD MA 02062
27014	NATIONAL SEMICONDUCTOR CORP	2900 SEMICONDUCTOR DR	SANTA CLARA CA 95051-0606
31433	KEMET ELECTRONICS CORP NATIONAL SALES HEADQUARTERS	PO BOX 5928	GREENVILLE SC 29606
32997	BOURNS INC TRIMPOT DIV	1200 COLUMBIA AVE	RIVERSIDE CA 92507-2114
34333	SILICON GENERAL INC	11651 MONARCH ST	GARDEN GROVE CA 92641-1816
34371	HARRIS CORP - HARRIS SEMICONDUCTOR PRODUCTS GROUP	200 PALM BAY BLVD PO BOX 883	MELBOURNE FL 32919
34649	INTEL CORP SALES OFFICE /ST4-2/	3065 BOWERS AVE	SANTA CLARA CA 95051
50434	HEWLETT-PACKARD CO OPTOELECTRONICS DIV	370 W TRIMBLE RD	SAN JOSE CA 95131
53387	MINNESOTA MINING MFG CO	PO BOX 2963	AUSTIN TX 78769-2963
64537	KDI ELECTRONICS INC SUBSIDIARY OF KDI CORP	31 FARINELLA DR	EAST HANOVER, NJ 07936
54937	DEYOUNG MANUFACTURING INC	12920 NE 125TH WAY	KIRKLAND WA 98034-7716
55680	NICHICON /AMERICA/ CORP	927 E STATE PKY	SCHAUMBURG IL 60195-4526
56637	RCD COMPONENTS INC	520 E INDUSTRIAL PARK DR	MANCHESTER NH 03103
56845	DALE ELECTRONICS INC	2300 RIVERSIDE BLVD PO BOX 74	NORFOLK NE 68701-2242
56866	QUALITY THERMISTOR INC	2096 SOUTH COLE RD SUITE 7	BOISE ID 83705

## Manufacturers Cross Index (Cont.)

<b>Mfr. Code</b>	<b>Manufacturer</b>	<b>Address</b>	<b>City, State, Zip Code</b>
57668	ROHM CORP	8 WHATNEY PO BOX 19515	IRVINE CA 92713
58050	TEKA PRODUCTS INC	45 SALEM ST	PROVIDENCE RI 02907
63312	ENDICOTT RESEARCH GROUP INC	2601 WAYNE ST PO BOX 269	ENDICOTT NY 13760-3272
71590	CRL COMPONENTS INC	HWY 20 W PO BOX 858	FORT DODGE IA 50501
75042	IRC ELECTRONIC COMPONENTS PHILADELPHIA DIV	401 N BROAD ST	PHILADELPHIA PA 19108-1001
75378	CTS KNIGHTS INC	400 REIMANN AVE	SANDWICH IL 60548-1846
75915	LITTLEFUSE INC, SUB TRACOR INC	800 E NORTHWEST HWY	DES PLAINES, IL 60016-3049
80009	TEKTRONIX INC	14150 SW KARL BRAUN DR PO BOX 500	BEAVERTON OR 97077-0001
81073	GRAYHILL INC	561 HILLGROVE AVE PO BOX 10373	LA GRANGE IL 60525-5914
81855	EAGLE-PICHER INDUSTRIES INC ELECTRONICS DIV	COUPLES DEPT C AND PORTER STS PO BOX 47	JOPLIN MO 64801
91637	DALE ELECTRONICS INC	2064 12TH AVE PO BOX 609	COLUMBUS NE 68601-3632

Replaceable Parts List

Assy Number	Tektronix Part Number	Serial No. Effective	Serial No. Discont'd	Qty	Name & Description	Mfr. Code	Mfr. Part Number
<b>CIRCUIT BOARD ASSEMBLIES</b>							
A1	672-1253-00	R010100	B021134		CKT BD ASSY:MAIN, STD INSTR W/EPROM	80009	672-1253-00
	672-1253-01	B021135	B021151		CKT BD ASSY:MAIN BD W/EPROM & BATTERY	80009	672-1253-01
	672-1253-02	B021152	B035824		CKT BD ASSY:MAIN BD W/EPROM & BATTERY	80009	672-1253-02
	672-1253-03	B035825	B036453		CKT BD ASSY:MAIN BD W/EPROM & BATTERY	80009	672-1253-03
	672-1253-04	B036454	B037359		CKT BD ASSY:MAIN BD W/EPROM & BATTERY	80009	672-1253-04
	672-1253-05	B037360			CKT BD ASSY:MAIN BD W/EPROM & BATTERY	80009	672-1253-05
<b>(MOD NB ONLY)</b>							
A1	672-1312-00	B025000	B025368		CKT BD ASSY:MAIN BD W/EPROM & BATTERY	80009	672-1312-00
	672-1312-01	B025369	B035824		CKT BD ASSY:MAIN BD W/EPROM & BATTERY	80009	672-1312-01
	672-1312-02	B035825	B036694		CKT BD ASSY:MAIN BD W/EPROM & BATTERY	80009	672-1312-02
	672-1312-03	B036695	B037359		CKT BD ASSY:MAIN BD W/EPROM & BATTERY	80009	672-1312-03
	672-1312-04	B037360			CKT BD ASSY:MAIN BD W/EPROM & BATTERY	80009	672-1312-04
A1A1	670-9285-00	R010100	B020616		CKT BD ASSYLMAIN W/O EPROM	80009	670-9285-00
	670-9285-01	B020617	B020797		CKT BD ASSYLMAIN W/O EPROM	80009	670-9285-01
	670-9285-00	B020798	B020816		CKT BD ASSYLMAIN W/O EPROM	80009	670-9285-00
	670-9285-01	B020817	B021134		CKT BD ASSYLMAIN W/O EPROM	80009	670-9285-01
	670-9285-02	B021135	B021151		CKT BD ASSYLMAIN W/O EPROM	80009	670-9285-02
	670-9285-03	B021152	B036453		CKT BD ASSYLMAIN W/O EPROM	80009	670-9285-03
	670-9285-04	B036454	B037399		CKT BD ASSYLMAIN W/O EPROM	80009	670-9285-04
	670-9285-05	B037400			CKT BD ASSYLMAIN W/O EPROM	80009	670-9285-05
A2	672-1251-00	R010100	B020819		CKT BD ASSY:FRONT PANEL	80009	672-1251-00
	672-1251-01	B020820	B036453		CKT BD ASSY:FRONT PANEL	80009	672-1251-01
	672-1251-02	B036454			CKT BD ASSY:FRONT PANEL	80009	672-1251-02
A3	620-0477-00	R010100	R020398		POWER SUPPLY ASSEMBLY	80009	620-0477-00
	620-0477-01	R020399	R024999		POWER SUPPLY ASSEMBLY	80009	620-0477-01
	620-0477-02	B025000	B036426		POWER SUPPLY ASSEMBLY	80009	620-0477-02
	620-0477-03	B036427			POWER SUPPLY ASSEMBLY	80009	620-0477-03

Replaceable Parts List (Cont.)

Assy Number	Tektronix Part Number	Serial No. Effective	Serial No. Discont'd	Qty	Name & Description	Mfr. Code	Mfr. Part Number
<b>CIRCUIT BOARD ASSEMBLIES (Con't)</b>							
A3A1	670-9286-00	R010100	R010140		CKT BD ASSY:POWER SUPPLY	80009	670-9286-00
	670-9286-01	R010141	R020398		CKT BD ASSY:POWER SUPPLY	80009	670-9286-01
	670-9286-02	R020399	B036426		CKT BD ASSY:POWER SUPPLY	80009	670-9286-05
	670-9286-03	B036427	B036453		CKT BD ASSY:POWER SUPPLY	80009	670-9286-03
	670-9286-04	B036454	B037399		CKT BD ASSY:POWER SUPPLY	80009	670-9286-04
	670-9286-05	B037400			CKT BD ASSY:POWER SUPPLY	80009	670-9286-05
A4	670-9291-00	R010100	B021134		CKT BD ASSY:S/R DRIVER SAMPLER	80009	670-9291-00
	670-9291-01	B021135	B025715		CKT BD ASSY:S/R DRIVER SAMPLER	80009	670-9291-01
	670-9291-02	B025716	B036453		CKT BD ASSY:S/R DRIVER SAMPLER	80009	670-9291-02
	670-9291-03	B036454	B037399		CKT BD ASSY:S/R DRIVER SAMPLER	80009	670-9291-03
	670-9291-04	B037400			CKT BD ASSY:S/R DRIVER SAMPLER	80009	670-9291-04
A5	672-1241-00	B010100	B037542		CKT BD ASSY:DISPLAY MODULE		672-1241-00
	118-9050-00	B037543			CKT BD ASSY:DISPLAY MODULE		118-9050-00
<b>(OPTION 03 ONLY)</b>							
A9	670-6592-00				CKT BD ASSY:POWER FUSE JACK	80009	670-6592-00

**Replaceable Parts List (Cont.)**

Assy Number	Tektronix Part Number	Serial No. Effective	Serial No. Discont'd	Qty	Name & Description	Mfr. Code	Mfr. Part Number
A1					CKT BD ASSY:MAIN BD W/EPROM & BATT (Con't)		
					(STANDARD INSTR)		
A1	672-1253-XX				CKT BD ASSY:MAIN W/EPROM & BATTERY		
					(MOD NB ONLY)		
A1	672-1312-XX				CKT BD ASSY:MAIN W/EPROM & BATTERY		
A1U2020	160-4412-02	R010100	R010156		IC,DGTL:EPROM,PRGM	80009	160-4412-02
	160-4412-03	R010157	R010184		IC,DGTL:EPROM,PRGM	80009	160-4412-03
	160-4412-06	R010185	R020398		IC,DGTL:EPROM,PRGM	80009	160-4412-06
	160-4412-07	R020399	B021134		IC,DGTL:EPROM,PRGM	80009	160-4412-07
	160-4412-08	B021135	B035824		IC,DGTL:EPROM,PRGM	80009	160-4412-08
	160-4412-09	B035825			IC,DGTL:EPROM,PRGM	80009	160-4412-09
A1BT1010	146-0049-00	B021135			BATTERY,STORAGE:3.5V,750MAH SFTY CONT	81855	LTC-7P
A1BT1010	146-0079-00	B025000			BATTERY:SILVER OXIDE 3.0V	80009	146-0079-00
					(MOD NB ONLY)		
A1A1	670-9285-XX				CIRCUIT BD ASSY:MAIN W/O EPROM		
A1A1BT1010	146-0049-00	R010100	B021134		BATTERY,STORAGE:3.5V,750MAH SFTY CONT	81855	LTC-7P
A1A1C1010	281-0925-01				CAP,FXD,CER DI:MLC,0.22UF,20%,50V,Z5U	31433	C114C224M5Y5CA
A1A1C1011	281-0925-01				CAP,FXD,CER DI:MLC,0.22UF,20%,50V,Z5U	31433	C114C224M5Y5CA
A1A1C1020	281-0925-01				CAP,FXD,CER DI:MLC,0.22UF,20%,50V,Z5U	31433	C114C224M5Y5CA
A1A1C1021	281-0925-01				CAP,FXD,CER DI:MLC,0.22UF,20%,50V,Z5U	31433	C114C224M5Y5CA
A1A1C1022	283-0359-01				CAP,FXD,CER DI:1000PF,5%,200V SQ	31433	C322C102J2G5CA
A1A1C1023	283-0359-01				CAP,FXD,CER DI:1000PF,5%,200V SQ	31433	C322C102J2G5CA
A1A1C1024	283-0359-01				CAP,FXD,CER DI:1000PF,5%,200V SQ	31433	C322C102J2G5CA
A1A1C1030	283-0190-00				CAP,FXD,CER DI:0.47UF,5%,50V SQ	04222	SR305C474JAA
A1A1C1031	281-0925-01				CAP,FXD,CER DI:MLC,0.22UF,20%,50V,Z5U	31433	C114C224M5Y5CA
A1A1C1032	283-0359-01				CAP,FXD,CER DI:1000PF,5%,200V SQ	31433	C322C102J2G5CA

Replaceable Parts List (Cont.)

Assy Number	Tektronix Part Number	Serial No. Effective	Serial No. Discont'd	Qty	Name & Description	Mfr. Code	Mfr. Part Number
A1A1	670-9285-XX				CIRCUIT BD ASSY:MAIN W/O EPROM (Con't)		
A1A1C1040	281-0925-01				CAP,FXD,CER DI:MLC,0.22UF,20%,50V,Z5U	31433	C114C224M5Y5CA
A1A1C1041	281-0925-01				CAP,FXD,CER DI:MLC,0.22UF,20%,50V,Z5U	31433	C114C224M5Y5CA
A1A1C1042	290-1087-00				CAP,FXD,ELCLTL:100UF,25V,AXIAL	1W344	KMC25T101M8X11LL
A1A1C1043	281-0925-01				CAP,FXD,CER DI:MLC,0.22UF,20%,50V,Z5U	31433	C114C224M5Y5CA
A1A1C2010	281-0925-01				CAP,FXD,CER DI:MLC,0.22UF,20%,50V,Z5U	31433	C114C224M5Y5CA
A1A1C2011	290-0748-00				CAP,FXD,ELCLTL:10UF,+50-20%,25W VDC	0J9R5	CEUST1E100
A1A1C2012	281-0925-01				CAP,FXD,CER DI:MLC,0.22UF,20%,50V,Z5U	31433	C114C224M5Y5CA
A1A1C2013	281-0925-01				CAP,FXD,CER DI:MLC,0.22UF,20%,50V,Z5U	31433	C114C224M5Y5CA
A1A1C2014	281-0925-01				CAP,FXD,CER DI:MLC,0.22UF,20%,50V,Z5U	31433	C114C224M5Y5CA
A1A1C2015	283-0111-04				CAP,FXD,CER DI:0.1UF,20%,50V SQ	04222	SR595C104MAAAP1
A1A1C2016	283-0238-00				CAP,FXD,CER DI:0.01UF,10%,50V SQ	04222	SR155C103KAA
A1A1C2020	281-0925-01				CAP,FXD,CER DI:MLC,0.22UF,20%,50V,Z5U	31433	C114C224M5Y5CA
A1A1C2021	281-0925-01				CAP,FXD,CER DI:MLC,0.22UF,20%,50V,Z5U	31433	C114C224M5Y5CA
A1A1C2030	281-0925-01				CAP,FXD,CER DI:MLC,0.22UF,20%,50V,Z5U	31433	C114C224M5Y5CA
A1A1C2031	281-0925-01				CAP,FXD,CER DI:MLC,0.22UF,20%,50V,Z5U	31433	C114C224M5Y5CA
A1A1C2032	281-0925-01				CAP,FXD,CER DI:MLC,0.22UF,20%,50V,Z5U	31433	C114C224M5Y5CA
A1A1C2033	281-0925-01				CAP,FXD,CER DI:MLC,0.22UF,20%,50V,Z5U	31433	C114C224M5Y5CA
A1A1C2034	281-0925-01				CAP,FXD,CER DI:MLC,0.22UF,20%,50V,Z5U	31433	C114C224M5Y5CA
A1A1C2035	281-0925-01				CAP,FXD,CER DI:MLC,0.22UF,20%,50V,Z5U	31433	C114C224M5Y5CA
A1A1C2036	281-0925-01				CAP,FXD,CER DI:MLC,0.22UF,20%,50V,Z5U	31433	C114C224M5Y5CA
A1A1C2037	281-0925-01				CAP,FXD,CER DI:MLC,0.22UF,20%,50V,Z5U	31433	C114C224M5Y5CA
A1A1C2038	281-0925-01				CAP,FXD,CER DI:MLC,0.22UF,20%,50V,Z5U	31433	C114C224M5Y5CA
A1A1C2039	283-0067-00	B021135			CAP,FXD,CER DI:0.001UF,10%,200V	18796	DD09B10 Y5F 102K 200V
A1A1C2040	283-0059-02				CAP,FXD,CER DI:1UF,20%,50V	04222	SR305C105MAATRSTDII
A1A1C2041	283-0059-02				CAP,FXD,CER DI:1UF,20%,50V	04222	SR305C105MAATRSTDII
A1A1C2042	281-0925-01				CAP,FXD,CER DI:MLC,0.22UF,20%,50V,Z5U	31433	C114C224M5Y5CA
A1A1C2043	283-0238-00				CAP,FXD,CER DI:0.01UF,10%,50V SQ	04222	SR155C103KAA
A1A1C2044	281-0925-01				CAP,FXD,CER DI:MLC,0.22UF,20%,50V,Z5U	31433	C114C224M5Y5CA
A1A1C2045	283-0421-00				CAP,FXD,CER DI:0.1UF,+80-20%,50V	24165	923CX7R104M050B
A1A1C2046	283-0067-00	B021135			CAP,FXD,CER DI:0.001UF,10%,200V	18796	DD09B10 Y5F 102K 200V
A1A1C3020	281-0925-01				CAP,FXD,CER DI:MLC,0.22UF,20%,50V,Z5U	31433	C114C224M5Y5CA
A1A1C3021	281-0925-01				CAP,FXD,CER DI:MLC,0.22UF,20%,50V,Z5U	31433	C114C224M5Y5CA

Replaceable Parts List (Cont.)

Assy Number	Tektronix Part Number	Serial No. Effective	Serial No. Discont'd	Qty	Name & Description	Mfr. Code	Mfr. Part Number
A1A1	670-9285-XX				CIRCUIT BD ASSY:MAIN W/O EPROM (Con't)		
A1A1C3022	281-0925-01				CAP,FXD,CER DI:MLC,0.22UF,20%,50V,Z5U	31433	C114C224M5Y5CA
A1A1C3023	281-0925-01				CAP,FXD,CER DI:MLC,0.22UF,20%,50V,Z5U	31433	C114C224M5Y5CA
A1A1C3030	283-0181-00				CAP,FXD,CER DI:1.8PF,+/-0.1%,100V SQ	24165	5024E0200RD221K
A1A1C3040	283-0107-00				CAP,FXD,CER DI:51PF,5%,200V SQ	04222	SR202A510JAA
A1A1C3041	283-0167-00				CAP,FXD,CER DI:0.1UF,10%,100V SQ	04222	SR211C104KAA
A1A1C3042	283-0108-00				CAP,FXD,CER DI:220PF,10%,200V SQ	04222	SR152A221KAA
A1A1C3043	283-0330-00				CAP,FXD,CER DI:100PF,5%,50V SQ	16546	CN15C101J
A1A1C3044	283-0359-01				CAP,FXD,CER DI:1000PF,5%,200V SQ	31433	C322C102J2G5CA
A1A1C3045	281-0925-01				CAP,FXD,CER DI:MLC,0.22UF,20%,50V,Z5U	31433	C114C224M5Y5CA
A1A1C3046	281-0925-01				CAP,FXD,CER DI:MLC,0.22UF,20%,50V,Z5U	31433	C114C224M5Y5CA
A1A1C3047	283-0181-00				CAP,FXD,CER DI:1.8PF,+/-0.1%,100V SQ	24165	5024E0200RD221K
A1A1C3048	283-0359-01				CAP,FXD,CER DI:1000PF,5%,200V SQ	31433	C322C102J2G5CA
A1A1C4020	281-0925-01				CAP,FXD,CER DI:MLC,0.22UF,20%,50V,Z5U	31433	C114C224M5Y5CA
A1A1C4021	283-0359-01				CAP,FXD,CER DI:1000PF,5%,200V SQ	31433	C322C102J2G5CA
A1A1C4022	285-1241-00				CAP,FXD,PLASTIC:0.22UF,10%,100V	12954	B32571.22/10/100
A1A1C4030	281-0925-01				CAP,FXD,CER DI:MLC,0.22UF,20%,50V,Z5U	31433	C114C224M5Y5CA
A1A1C4040	281-0813-00				CAP,FXD,CER DI:MLC,0.04UF,20%,50V	04222	SA105E473MAA
A1A1C4041	290-0748-00				CAP,FXD,ELCTLT:10UF,+50-20%,25W VDC	0J9R5	CEUST1E100
A1A1C5010	283-0330-00				CAP,FXD,CER DI:100PF,5%,50V SQ	16546	CN15C101J
A1A1C5020	283-0359-01				CAP,FXD,CER DI:1000PF,5%,200V SQ	31433	C322C102J2G5CA
A1A1C5021	283-0359-01				CAP,FXD,CER DI:1000PF,5%,200V SQ	31433	C322C102J2G5CA
A1A1C5022	281-0925-01				CAP,FXD,CER DI:MLC,0.22UF,20%,50V,Z5U	31433	C114C224M5Y5CA
A1A1C5023	283-0359-01				CAP,FXD,CER DI:1000PF,5%,200V SQ	31433	C322C102J2G5CA
A1A1C5024	283-0177-00				CAP,FXD,CER DI:1UF,+80-20%,25V	04222	SR305E105ZAA
A1A1C5025	283-0177-00				CAP,FXD,CER DI:1UF,+80-20%,25V	04222	SR305E105ZAA
A1A1C5030	281-0813-00				CAP,FXD,CER DI:MLC,0.04UF,20%,50V	04222	SA105E473MAA
A1A1C5031	281-0813-00				CAP,FXD,CER DI:MLC,0.04UF,20%,50V	04222	SA105E473MAA
A1A1C5032	281-0798-00				CAP,FXD,CER DI:51PF,1%,100V TUBULAR,MI	04222	SA101A510GAA
A1A1C5033	283-0330-00				CAP,FXD,CER DI:100PF,5%,50V SQ	16546	CN15C101J
A1A1C5040	283-0330-00				CAP,FXD,CER DI:100PF,5%,50V SQ	16546	CN15C101J
A1A1C5041	281-0925-01				CAP,FXD,CER DI:MLC,0.22UF,20%,50V,Z5U	31433	C114C224M5Y5CA
A1A1C5042	281-0925-01				CAP,FXD,CER DI:MLC,0.22UF,20%,50V,Z5U	31433	C114C224M5Y5CA

Replaceable Parts List (Cont.)

Assy Number	Tektronix Part Number	Serial No. Effective	Serial No. Discont'd	Qty	Name & Description	Mfr. Code	Mfr. Part Number
A1A1	670-9285-XX				CIRCUIT BD ASSY:MAIN W/O EPROM (Con't)		
A1A1C6030	281-0925-01				CAP,FXD,CER DI:MLC,0.22UF,20%,50V,Z5U	31433	C114C224M5Y5CA
A1A1C6031	283-0177-00				CAP,FXD,CER DI:1UF,+80-20%,25V	04222	SR305E105ZAA
A1A1C6032	281-0925-01				CAP,FXD,CER DI:MLC,0.22UF,20%,50V,Z5U	31433	C114C224M5Y5CA
A1A1C7010	283-0111-04				CAP,FXD,CER DI:0.1UF,20%,50V SQ	04222	SR595C104MAAAP1
A1A1C7020	281-0813-00				CAP,FXD,CER DI:MLC,0.04UF,20%,50V	04222	SA105E473MAA
A1A1C7021	281-0925-01				CAP,FXD,CER DI:MLC,0.22UF,20%,50V,Z5U	31433	C114C224M5Y5CA
A1A1C7022	283-0359-01				CAP,FXD,CER DI:1000PF,5%,200V SQ	31433	C322C102J2G5CA
A1A1C7023	283-0177-00				CAP,FXD,CER DI:1UF,+80-20%,25V	04222	SR305E105ZAA
A1A1C7030	283-0059-02				CAP,FXD,CER DI:1UF,20%,50V	04222	SR305C105MAATRSTDI
A1A1C7040	283-0330-00				CAP,FXD,CER DI:100PF,5%,50V SQ	16546	CN15C101J
A1A1C7041	281-0925-01				CAP,FXD,CER DI:MLC,0.22UF,20%,50V,Z5U	31433	C114C224M5Y5CA
A1A1C7042	281-0925-01				CAP,FXD,CER DI:MLC,0.22UF,20%,50V,Z5U	31433	C114C224M5Y5CA
A1A1C7043	290-0748-00				CAP,FXD,ELCTLT:10UF,+50-20%,25W VDC	0J9R5	CEUST1E100
A1A1C8010	281-0925-01				CAP,FXD,CER DI:MLC,0.22UF,20%,50V,Z5U	31433	C114C224M5Y5CA
A1A1C8020	283-0010-00				CAP,FXD,CER DI:0.05UF,+80-20%,50V SQ	04222	SR305E503ZAA
A1A1C8021	281-0798-00				CAP,FXD,CER DI:51PF,1%,100V TUBULAR,MI	04222	SA101A510GAA
A1A1C8022	283-0330-00				CAP,FXD,CER DI:100PF,5%,50V SQ	16546	CN15C101J
A1A1C8023	281-0925-01				CAP,FXD,CER DI:MLC,0.22UF,20%,50V,Z5U	31433	C114C224M5Y5CA
A1A1C8024	283-0348-00				CAP,FXD,CER DI:0.5PF,+/-0.1PF,100V	31433	C312C109D1G5EA
A1A1C8040	283-0156-00				CAP,FXD,CER DI:1000PF,+80-20%,200V SQ	04222	SR152E102ZAA
A1A1C9010	283-0111-04				CAP,FXD,CER DI:0.1UF,20%,50V SQ	04222	SR595C104MAAAP1
A1A1C9011	281-0813-00				CAP,FXD,CER DI:MLC,0.047UF,20%,50V	04222	SA105E473MAA
A1A1C9020	283-0359-01				CAP,FXD,CER DI:1000PF,5%,200V SQ	31433	C322C102J2G5CA
A1A1C9021	281-0925-01				CAP,FXD,CER DI:MLC,0.22UF,20%,50V,Z5U	31433	C114C224M5Y5CA
A1A1C9022	281-0813-00				CAP,FXD,CER DI:MLC,0.04UF,20%,50V	04222	SA105E473MAA
A1A1C9023	281-0925-01				CAP,FXD,CER DI:MLC,0.22UF,20%,50V,Z5U	31433	C114C224M5Y5CA
A1A1C9024	281-0813-00				CAP,FXD,CER DI:MLC,0.04UF,20%,50V	04222	SA105E473MAA
A1A1C9025	281-0925-01				CAP,FXD,CER DI:MLC,0.22UF,20%,50V,Z5U	31433	C114C224M5Y5CA
A1A1C9030	281-0925-01				CAP,FXD,CER DI:MLC,0.22UF,20%,50V,Z5U	31433	C114C224M5Y5CA
A1A1C9031	290-0748-00				CAP,FXD,ELCTLT:10UF,+50-20%,25W VDC	0J9R5	CEUST1E100
A1A1C9032	283-0359-01				CAP,FXD,CER DI:1000PF,5%,200V SQ	31433	C322C102J2G5CA
A1A1C9033	283-0359-01				CAP,FXD,CER DI:1000PF,5%,200V SQ	31433	C322C102J2G5CA



Replaceable Parts List (Cont.)

Assy Number	Tektronix Part Number	Serial No. Effective	Serial No. Discont'd	Qty	Name & Description	Mfr. Code	Mfr. Part Number
A1A1	670-9285-XX				CIRCUIT BD ASSY:MAIN W/O EPROM (Con't)		
A1A1C9034	281-0925-01				CAP,FXD,CER DI:MLC,0.22UF,20%,50V,Z5U	31433	C114C224M5Y5CA
A1A1C9035	290-0748-00				CAP,FXD,ELCTLT:10UF,+50-20%,25W VDC	0J9R5	CEUST1E100
A1A1CR1020	152-0322-00				DIODE DVC,DI:SCHOTTKY,SI,15V,1.2PF	21847	A2X600
A1A1CR1021	152-0322-00				DIODE DVC,DI:SCHOTTKY,SI,15V,1.2PF	21847	A2X600
A1A1CR1022	152-0322-00				DIODE DVC,DI:SCHOTTKY,SI,15V,1.2PF	21847	A2X600
A1A1CR1023	152-0322-00				DIODE DVC,DI:SCHOTTKY,SI,15V,1.2PF	21847	A2X600
A1A1CR3031	152-0322-00				DIODE DVC,DI:SCHOTTKY,SI,15V,1.2PF	21847	A2X600
A1A1CR4030	152-0141-02				DIODE,SIG:ULTRA FAST;40V,150MA,4NS,2PF	01295	1N4152R
A1A1CR4031	152-0322-00				DIODE DVC,DI:SCHOTTKY,SI,15V,1.2PF	21847	A2X600
A1A1CR4032	152-0725-00				DIODE DVC,DI:SI,SCHOTTKY,20V,1.2PF	21847	A2X1582
A1A1CR5030	152-0725-00				DIODE DVC,DI:SI,SCHOTTKY,20V,1.2PF	21847	A2X1582
A1A1CR5040	152-0322-00				DIODE DVC,DI:SCHOTTKY,SI,15V,1.2PF	21847	A2X600
A1A1CR8020	152-0322-00				DIODE DVC,DI:SCHOTTKY,SI,15V,1.2PF	21847	A2X600
A1A1CR9010	152-0322-00				DIODE DVC,DI:SCHOTTKY,SI,15V,1.2PF	21847	A2X600
A1A1J2010	131-3361-00				CONN,HDR:PCB,MALE,RTANG,2 X 13,0.1 CTR	53387	3593-5002
A1A1J5040	131-4183-00				CONN,HDR:PCB,MALE,STR,2 X 7,0.1 CTR	53387	3598-6002
A1A1J9010	131-3359-00				CONN,HDR:PCB,MALE,RTANG,2 X 10,0.1 CTR	53387	3592-5002
A1A1L5030	120-1606-00				XFMR,RF:INDUCTOR 86-10	0JR03	120-1606-00
A1A1L5040	108-0509-01	B021135			COIL,RF:FIXED,2.45UH +/-10%,AXIAL LEAD	0JR03	108-0509-01
A1A1M1030	149-0057-00	R010100	R020511		METER,ET:MINITURE,620-PC	80009	149-0057-00
A1A1Q1010	151-1176-00				XSTR,PWR:MOS,P-CH;100V,1.0A,0.6 OHM	04713	IRFD9120
A1A1Q1020	151-0190-00				XSTR,SIG:BIPOLAR,NPN;40V,200MA,300MHZ,AMP	01295	SKA3703
A1A1Q1021	151-0188-00				XSTR,SIG:BIPOLAR,PNP;40V,200MA,250MHZ,AMP	03508	X39H3162
A1A1Q1030	151-0190-00				XSTR,SIG:BIPOLAR,NPN;40V,200MA,300MHZ,AMP	01295	SKA3703
A1A1Q1031	151-0188-00				XSTR,SIG:BIPOLAR,PNP;40V,200MA,250MHZ,AMP	03508	X39H3162
A1A1Q2011	151-1176-00				XSTR,PWR:MOS,P-CH;100V,1.0A,0.6 OHM	04713	IRFD9120
A1A1Q2012	151-1176-00				XSTR,PWR:MOS,P-CH;100V,1.0A,0.6 OHM	04713	IRFD9120

Replaceable Parts List (Cont.)

Assy Number	Tektronix Part Number	Serial No. Effective	Serial No. Discont'd	Qty	Name & Description	Mfr. Code	Mfr. Part Number
A1A1	670-9285-XX				CIRCUIT BD ASSY:MAIN W/O EPROM (Con't)		
A1A1Q3030	151-0276-01				XSTR,SIG:BIPOLAR,PNP;50V,50MA,40MHZ,AMP	04713	2N5087RLRP
A1A1Q4030	151-1078-00				XSTR,SIG:JFET,N-CH;3.5V,75MA,90 OHM;TO-92	04713	SPF3040
A1A1Q4031	151-0441-00				XSTR,SIG:BIPOLAR,NPN;15V,40MA,1.0GHZ,AMP	04713	2N3839
A1A1Q4040	151-0271-00				XSTR,SIG:BIPOLAR,PNP;15V,30MA,2.0GHZ,AMP	01295	SKA4504
A1A1Q5020	151-0353-00	R010100	R020409		XSTR:NPN,SI,DUAL	80009	151-0353-00
	151-0232-00	R020410	B021151		XSTR,SIG:BIPOLAR,NPN,45V,30MA,60MHZ,AMP	80009	151-0232-00
	151-0308-00	B021152			XSTR,SIG:BIPOLAR,NPN;45V,30MA,60MHZ,AMP	04713	2N2918
A1A1Q5030	151-0441-00				XSTR,SIG:BIPOLAR,NPN;15V,40MA,1.0GHZ,AMP	04713	2N3839
A1A1Q5031	151-1012-00				ZSTR,SIG:JFET,N-CH,6V,15MA,4.5MS,AMP	21845	F1585
A1A1Q5032	151-0354-00	R010100	B021151		XSTR:PNP,SI,DUA	80009	151-0354-00
	151-0261-00	B021152			XSTR,SIG:BIPOLAR,PNP;60V,50MA,100MHZ,AMP	04713	2N3810
A1A1Q6020	151-0271-00				XSTR,SIG:BIPOLAR,PNP;15V,30MA,2.0GHZ,AMP	01295	SKA4504
A1A1Q7020	151-0441-00				XSTR,SIG:BIPOLAR,NPN;15V,40MA,1.0GHZ,AMP	04713	2N3839
A1A1Q7021	151-0139-00				XSTR,SIG:BIPOLAR,NPN;15V,50MA,600MHZ,AMP	04713	MD918
A1A1Q7030	151-0441-00				XSTR,SIG:BIPOLAR,NPN;15V,40MA,1.0GHZ,AMP	04713	2N3839
A1A1Q8020	151-0139-00				XSTR,SIG:BIPOLAR,NPN;15V,50MA,600MHZ,AMP	04713	MD918
A1A1Q9010	151-0271-00				XSTR,SIG:BIPOLAR,PNP;15V,30MA,2.0GHZ,AMP	01295	SKA4504
A1A1Q9020	151-0353-00	R010100	R020409		XSTR:NPN,SI,DUAL	80009	151-0353-00
	151-0232-00	R020410	B021151		XSTR,SIG:BIPOLAR,NPN,45V,30MA,60MHZ,AMP	80009	151-0232-00
	151-0308-00	B021152			XSTR,SIG:BIPOLAR,NPN;45V,30MA,60MHZ,AMP	04713	2N2918
A1A1Q9021	151-0271-00				XSTR,SIG:BIPOLAR,PNP;15V,30MA,2.0GHZ,AMP	01295	SKA4504
A1A1R1010	322-3162-00				RES,FXD:METAL FILM:475 OHM,1%,0.2W	57668	CRB20 FXE 475E
A1A1R1011	322-3289-00				RES,FXD:METAL FILM:10.0K OHM,1%,0.2W	57668	CRB20 FXE 10K0
A1A1R1012	322-3289-00				RES,FXD:METAL FILM:10.0K OHM,1%,0.2W	57668	CRB20 FXE 10K0
A1A1R1013	322-3289-00				RES,FXD:METAL FILM:10.0K OHM,1%,0.2W	57668	CRB20 FXE 10K0
A1A1R1014	322-3385-00				RES,FXD:METAL FILM:100K OHM,1%,0.2W	57668	CRB20 FXE 100K
A1A1R1015	322-3318-00				RES,FXD:METAL FILM:20.0K OHM,1%,0.2W	57668	CRB20 FXE 20K0
A1A1R1016	322-3097-00				RES,FXD:METAL FILM:100 OHM,1%,0.2W	57668	CRB20 FXE 100E
A1A1R1020	322-3289-00				RES,FXD:METAL FILM:10.0K OHM,1%,0.2W	57668	CRB20 FXE 10K0
A1A1R1021	322-3289-00				RES,FXD:METAL FILM:10.0K OHM,1%,0.2W	57668	CRB20 FXE 10K0
A1A1R1022	322-3289-00				RES,FXD:METAL FILM:10.0K OHM,1%,0.2W	57668	CRB20 FXE 10K0
A1A1R1023	322-3289-00				RES,FXD:METAL FILM:10.0K OHM,1%,0.2W	57668	CRB20 FXE 10K0

Replaceable Parts List (Cont.)

Assy Number	Tektronix Part Number	Serial No. Effective	Serial No. Discont'd	Qty	Name & Description	Mfr. Code	Mfr. Part Number
A1A1	670-9285-XX				CIRCUIT BD ASSY:MAIN W/O EPROM (Con't)		
A1A1R1030	321-0523-00	R010100	R020511		RES,FXD,FILM:2.74M OHM,1%,0.125W	80009	321-0523-00
A1A1R1031	321-0523-00	R010100	R020511		RES,FXD,FILM:2.74M OHM,1%,0.125W	80009	321-0523-00
A1A1R1032	322-3437-00				RES,FXD,FILM:348K OHM,1%,0.2W	57668	CRB20 FXE 348K
A1A1R1033	307-0446-00				RES NTWK,FXD,FI:10K OHM,20%,(9)RES	01121	210A103
A1A1R1035	321-0756-00				RES,FXD,FILM:50K OHM,1%,0.125W	01121	ADVISE
A1A1R2010	322-3097-00				RES,FXD:METAL FILM:100 OHM,1%,0.2W	57668	CRB20 FXE 100E
A1A1R2011	322-3318-00				RES,FXD:METAL FILM:20.0K OHM,1%,0.2W	57668	CRB20 FXE 20K0
A1A1R2012	322-3385-00				RES,FXD:METAL FILM:100K OHM,1%,0.2W	57668	CRB20 FXE 100K
A1A1R2013	322-3385-00				RES,FXD:METAL FILM:100K OHM,1%,0.2W	57668	CRB20 FXE 100K
A1A1R2014	307-0446-00				RES NTWK,FXD,FI:10K OHM,20%,(9)RES	01121	210A103
A1A1R2015	307-0446-00				RES NTWK,FXD,FI:10K OHM,20%,(9)RES	01121	210A103
A1A1R2030	322-3239-00				RES,FXD,FILM:3.01K OHM,1%,0.2W	57668	CRB20 FXE 3K01
A1A1R2031	322-3239-00				RES,FXD,FILM:3.01K OHM,1%,0.2W	57668	CRB20 FXE 3K01
A1A1R2033	322-3293-00				RES,FXD:METAL FILM:11.0K OHM,1%,0.2W	57668	CRB20 FXE 11K0
A1A1R2034	311-0634-00				RES,VAR,NONWWW:TRMR,500 OHM,0.5W CERMET	32997	3329H-L58-501
A1A1R2040	322-3139-00				RES,FXD:METAL FILM:274 OHM,1%,0.2W	57668	CRB20 FXE 274E
A1A1R2041	322-3134-00				RES,FXD,FILM:243 OHM,1%,0.2W	57668	CRB20 FXE243E
A1A1R2042	322-3134-00				RES,FXD,FILM:243 OHM,1%,0.2W	57668	CRB20 FXE243E
A1A1R2043	322-3126-00				RES,FXD,FILM:200 OHM,1%,0.2W	91637	CCF501G200R0F
A1A1R3010	322-3097-00				RES,FXD:METAL FILM:100 OHM,1%,0.2W	57668	CRB20 FXE 100E
A1A1R3020	322-3297-00				RES,FXD:METAL FILM:12.1K OHM,1%,0.2W	57668	CRB20 FXE 12K1
A1A1R3030	322-3097-00				RES,FXD:METAL FILM:100 OHM,1%,0.2W	57668	CRB20 FXE 100E
A1A1R3031	322-3356-00				RES,FXD,FILM:49.9K OHM,1%,0.2W	57668	CRB20 FXE 49K9
A1A1R3032	322-3327-00				RES,FXD,FILM:24.9K OHM,1%,0.2W	57668	CRB20 FXE 24K9
A1A1R3033	322-3165-00				RES,FXD,FILM:511 OHM,1%,0.2W	57668	CRB20 FXE 511E
A1A1R3034	322-3261-00				RES,FXD,FILM:5.11K OHM,1%,0.2W	91637	CCF50G5111FT
A1A1R3035	322-3289-00				RES,FXD:METAL FILM:10.0K OHM,1%,0.2W	57668	CRB20 FXE 10K0
A1A1R3036	322-3243-00				RES,FXD:METAL FILM:3.32K OHM,1%,0.2W	91637	CCF50-1-G33200F
A1A1R3037	322-3314-00				RES,FXD:METAL FILM:18.2K OHM,1%,0.2W	57668	CRB20 FXE 18K2
A1A1R3038	322-3306-00				RES,FXD:METAL FILM:15.0K OHM,1%,0.2W	57668	CRB20 FXE 15K0
A1A1R3039	322-3327-00				RES,FXD,FILM:24.9K OHM,1%,0.2W	57668	CRB20 FXE 24K9
A1A1R3040	322-3385-00				RES,FXD:METAL FILM:100K OHM,1%,0.2W	57668	CRB20 FXE 100K

Replaceable Parts List (Cont.)

Assy Number	Tektronix Part Number	Serial No. Effective	Serial No. Discont'd	Qty	Name & Description	Mfr. Code	Mfr. Part Number
A1A1	670-9285-XX				CIRCUIT BD ASSY:MAIN W/O EPROM (Con't)		
A1A1R3041	322-3126-00				RES,FXD,FILM:200 OHM,1%,0.2W	91637	CCF501G200R0F
A1A1R3042	322-3173-00				RES,FXD,FILM:619 OHM,1%,0.2W	91637	CCF50-2F619R0F
A1A1R4020	322-3297-00				RES,FXD:METAL FILM:12.1K OHM,1%,0.2W	57668	CRB20 FXE 12K1
A1A1R4021	322-3261-00				RES,FXD,FILM:5.11K OHM,1%,0.2W	91637	CCF50G5111FT
A1A1R4022	322-3385-00				RES,FXD:METAL FILM:100K OHM,1%,0.2W	57668	CRB20 FXE 100K
A1A1R4023	322-3347-00				RES,FXD,FILM:40.2K OHM,1%,0.2W	91637	CCF50-2-G40201F
A1A1R4030	322-3126-00				RES,FXD,FILM:200 OHM,1%,0.2W	91637	CCF501G200R0F
A1A1R4031	322-3325-00				RES,FXD,FILM:23.7K OHM,1%,0.2W	57668	CRB20 FXE 23K7
A1A1R4032	322-3261-00				RES,FXD,FILM:5.11K OHM,1%,0.2W	91637	CCF50G5111FT
A1A1R4040	322-3281-00				RES,FXD:METAL FILM:8.25K OHM,1%,0.2W	57668	CRB20 FXE 8K25
A1A1R4041	322-3134-00				RES,FXD,FILM:243 OHM,1%,0.2W	57668	CRB20 FXE243E
A1A1R4042	322-3135-00				RES,FXD,FILM:249 OHM,1%,0.2W	57668	CRB20 FXE 249E
A1A1R4043	321-0136-00				RES,FXD,FILM:255 OHM,1%,0.125W	19701	5043ED255R0F
A1A1R4044	322-3137-00				RES,FXD,FILM:261 OHM,1%,0.2W	57668	CRB20 FXE 261E
A1A1R4045	322-3138-00				RES,FXD,FILM:267 OHM,1%,0.2W	57668	CRB20 FXE 267E
A1A1R4046	322-3139-00				RES,FXD:METAL FILM:274 OHM,1%,0.2W	57668	CRB20 FXE 274E
A1A1R4047	322-3141-00				RES,FXD,FILM:287 OHM,1%,0.2W	57668	CRB20 FXE 287E
A1A1R4048	322-3001-00				RES,FXD:METAL FILM:10 OHM,1%,0.2W	57668	CRB20 FXE10E0
A1A1R5020	322-3395-07				RES,FXD,FILM:127K OHM,1%,0.2W	57668	BZE127K
A1A1R5021	322-3289-00				RES,FXD:METAL FILM:10.0K OHM,1%,0.2W	57668	CRB20 FXE 10K0
A1A1R5022	322-3337-00				RES,FXD,FILM:31.6K OHM,1%,0.2W	91637	CCF502G31601FT
A1A1R5023	322-3164-00				RES,FXD,FILM:499 OHM,1%,0.2W	57668	CRB20 FXE 499E
A1A1R5024	322-3001-00				RES,FXD:METAL FILM:10 OHM,1%,0.2W	57668	CRB20 FXE10E0
A1A1R5025	322-3001-00				RES,FXD:METAL FILM:10 OHM,1%,0.2W	57668	CRB20 FXE10E0
A1A1R5026	322-3068-00	B021152			RES,FXD:METAL FILM:49.9 OHM,0.1%,0.2W	57668	CRB20 FXE 49E9
A1A1R5030	322-3280-00				RES,FXD,FILM:8.06K OHM,1%,0.2W	57668	CRB20 FXE 8K06
A1A1R5031	322-3222-00				RES,FXD:METAL FILM:2.00K OHM,1%,0.2W	57668	CRB20 FXE 2K00
A1A1R5032	322-3097-00				RES,FXD:METAL FILM:100 OHM,1%,0.2W	57668	CRB20 FXE 100E
A1A1R5033	322-3068-00				RES,FXD:METAL FILM:49.9 OHM,0.1%,0.2W	57668	CRB20 FXE 49E9
A1A1R5034	322-3184-00				RES,FXD,FILM:806 OHM,1%,0.2W	57668	CRB20 FXE 806E
A1A1R5035	322-3250-00				RES,FXD:METAL FILM:3.92K OHM,1%,0.2W	91637	CCF50-2F39200F
A1A1R6030	322-3068-00				RES,FXD:METAL FILM:49.9 OHM,0.1%,0.2W	57668	CRB20 FXE 49E9

Replaceable Parts List (Cont.)

Assy Number	Tektronix Part Number	Serial No. Effective	Serial No. Discont'd	Qty	Name & Description	Mfr. Code	Mfr. Part Number
A1A1	670-9285-XX				CIRCUIT BD ASSY:MAIN W/O EPROM (Con't)		
A1A1R6031	322-3262-00				RES,FXD,FILM:5.23K OHM,1,0.2W	57668	CRB20 FXE 5K23
A1A1R6032	322-3251-00				RES,FXD,FILM:4.02K OHM,1%,0.2W	57668	CRB20 FXE 4K02
A1A1R6033	322-3139-00				RES,FXD:METAL FILM:274 OHM,1%,0.2W	57668	CRB20 FXE 274E
A1A1R6040	322-3222-00				RES,FXD:METAL FILM:2.00K OHM,1%,0.2W	57668	CRB20 FXE 2K00
A1A1R6041	321-0960-07				RES,FXD,FILM:513 OHM,0.1%,0.125W	01121	ADVISE
A1A1R6042	322-3175-00				RES,FXD,FILM:649 OHM,1%,0.2W	57668	CRB20 FXE 649E
A1A1R6043	322-3185-00				RES,FXD:METAL FILM:825 OHM,1%,0.2W	57668	CRB20 FXE 825E
A1A1R6044	322-3194-00				RES,FXD,FILM:1.02K OHM,1%,0.2W	91637	CCF50-2G10200F
A1A1R6045	322-3204-00				RES,FXD,FILM:1.30K OHM,1%,0.2W	57668	CRB20 FXE 1K30
A1A1R6046	322-3213-00				RES,FXD,FILM:1.62K OHM,1%,0.2W	57668	CRB20 FXE 1K62
A1A1R6047	322-3223-00				RES,FXD,FILM:2.05K OHM,1%,0.2W	57668	CRB20 FXE 2K05
A1A1R7010	322-3114-00				RES,FXD:METAL FILM:150 OHM,1%,0.2W	57668	CRB20-FX150E
A1A1R7011	322-3097-00				RES,FXD:METAL FILM:100 OHM,1%,0.2W	57668	CRB20 FXE 100E
A1A1R7012	322-3097-00				RES,FXD:METAL FILM:100 OHM,1%,0.2W	57668	CRB20 FXE 100E
A1A1R7013	322-3105-00				RES,FXDMETAL FILM:121 OHM 1%,0.2W	57668	CRB20 FXE 121E
A1A1R7014	322-3154-00				RES,FXD:METAL FILM:392 OHM,1%,0.2W	57668	RB20 FX392E
A1A1R7015	322-3154-00				RES,FXD:METAL FILM:392 OHM,1%,0.2W	57668	RB20 FX392E
A1A1R7020	322-3310-00				RES,FXD,FILM:16.5K OHM,1%,0.2W	57668	CRB20 FXE 16K5
A1A1R7021	321-0038-00				RES,FXD,FILM:24.3 OHM,1%,0.125W	57668	CRB14 FXE 24.3
A1A1R7022	322-3306-00				RES,FXD:METAL FILM:15.0K OHM,1%,0.2W	57668	CRB20 FXE 15K0
A1A1R7023	322-3097-00				RES,FXD:METAL FILM:100 OHM,1%,0.2W	57668	CRB20 FXE 100E
A1A1R7024	322-3193-00				RES,FXD:METAL FILM:1K OHM,1%,0.2W	57668	CRB20 FXE 1K00
A1A1R7025	322-3193-00				RES,FXD:METAL FILM:1K OHM,1%,0.2W	57668	CRB20 FXE 1K00
A1A1R7026	322-3193-00				RES,FXD:METAL FILM:1K OHM,1%,0.2W	57668	CRB20 FXE 1K00
A1A1R7027	322-3097-00				RES,FXD:METAL FILM:100 OHM,1%,0.2W	57668	CRB20 FXE 100E
A1A1R7028	322-3068-00				RES,FXD:METAL FILM:49.9 OHM,0.1%,0.2W	57668	CRB20 FXE 49E9
A1A1R7029	322-3342-00				RES,FXD,FILM:35.7K OHM,1%,0.2W	57668	CRB20 FXE 35K7
A1A1R7030	322-3222-00				RES,FXD:METAL FILM:2.00K OHM,1%,0.2W	57668	CRB20 FXE 2K00
A1A1R7031	322-3306-00				RES,FXD:METAL FILM:15.0K OHM,1%,0.2W	57668	CRB20 FXE 15K0
A1A1R7032	321-0720-00				RES,FXD,FILM:60K OHM,1%,0.125W	91637	CMF55-116-G-60001FT
A1A1R7033	322-3269-00				RES,FXD,FILM:6.19K OHM,1%,0.2W	91637	CCF501G61900F
A1A1R7034	322-3068-00				RES,FXD:METAL FILM:49.9 OHM,0.1%,0.2W	57668	CRB20 FXE 49E9

Replaceable Parts List (Cont.)

Assy Number	Tektronix Part Number	Serial No. Effective	Serial No. Discont'd	Qty	Name & Description	Mfr. Code	Mfr. Part Number
A1A1	670-9285-XX				CIRCUIT BD ASSY:MAIN W/O EPROM (Con't)		
A1A1R7040	322-3001-00				RES,FXD:METAL FILM:10 OHM,1%,0.2W	57668	CRB20 FXE10E0
A1A1R8010	321-0038-00				RES,FXD,FILM:24.3 OHM,1%,0.125W	57668	CRB14 FXE 24.3
A1A1R8011	321-0312-00				RES,FXD,FILM:17.4K OHM,1%,0.125W	07716	CEAD17401F
A1A1R8012	321-0631-00				RES,FXD,FILM:12.5K OHM,1%,0.125W	07716	CEA T0 1% 12.5K
A1A1R8013	322-3126-00				RES,FXD,FILM:200 OHM,1%,0.2W	91637	CCF501G200R0F
A1A1R8014	322-3068-00	B021151			RES,FXD:METAL FILM:49.9 OHM,0.1%,0.2W	57668	CRB20 FXE 49E9
A1A1R8020	322-3193-00				RES,FXD:METAL FILM:1K OHM,1%,0.2W	57668	CRB20 FXE 1K00
A1A1R8021	322-3325-00				RES,FXD,FILM:23.7K OHM,1%,0.2W	57668	CRB20 FXE 23K7
A1A1R8022	322-3283-00				RES,FXD,FILM:8.66K OHM,1%,0.2W	57668	CRB20 FXE 8K66
A1A1R8023	322-3289-00				RES,FXD:METAL FILM:10.0K OHM,1%,0.2W	57668	CRB20 FXE 10K0
A1A1R8024	322-3097-00				RES,FXD:METAL FILM:100 OHM,1%,0.2W	57668	CRB20 FXE 100E
A1A1R8025	321-0174-00				RES,FXD,FILM:634 OHM,1%,0.125W	19701	5043ED634ROF
A1A1R8026	322-3306-00				RES,FXD:METAL FILM:15.0K OHM,1%,0.2W	57668	CRB20 FXE 15K0
A1A1R8027	322-3306-00				RES,FXD:METAL FILM:15.0K OHM,1%,0.2W	57668	CRB20 FXE 15K0
A1A1R8028	322-3306-00				RES,FXD:METAL FILM:15.0K OHM,1%,0.2W	57668	CRB20 FXE 15K0
A1A1R8040	321-0058-00	R010100	B020616		RES,FXD,FILM:2.74M OHM,1%,0.125W	80009	321-0058-00
	321-0782-03	B020617	B020797		RES,FXD,FILM:40 OHM,0.25%,0.125W	03888	PME5540 OHM 0.25
	321-0058-00	B020798	B020816		RES,FXD,FILM:2.74M OHM,1%,0.125W	80009	321-0058-00
	321-0782-03	B020817			RES,FXD,FILM:40 OHM,0.25%,0.125W	03888	PME5540 OHM 0.25
A1A1R8041	322-3128-00				RES,FXD,FILM:210 OHM,1%,0.2W	57668	CRB20 FXE210E
A1A1R8042	322-3205-00				RES,FXD,FILM:1.33K OHM,1%,0.2W	57668	CRB20 FXE 1K33
A1A1R8043	321-0282-00	R010100	B020616		RES,FXD,FILM:8.45K OHM,1%,0.125W	80009	321-0282-00
	321-0620-00	B020617	B020797		RES,FXD,FILM:8.45K OHM,0.25%,0.125W	91637	CMF55-116-D-84500CT
	321-0282-00	B020798	B020816		RES,FXD,FILM:8.45K OHM,1%,0.125W	80009	321-0282-00
	321-0620-00	B020817			RES,FXD,FILM:8.45K OHM,0.25%,0.125W	91637	CMF55-116-D-84500CT
A1A1R8044	322-3318-00				RES,FXD:METAL FILM:20.0K OHM,1%,0.2W	57668	CRB20 FXE 20K0
A1A1R8045	322-3318-00				RES,FXD:METAL FILM:20.0K OHM,1%,0.2W	57668	CRB20 FXE 20K0
A1A1R8046	322-3318-00				RES,FXD:METAL FILM:20.0K OHM,1%,0.2W	57668	CRB20 FXE 20K0
A1A1R8047	322-3289-00				RES,FXD:METAL FILM:10.0K OHM,1%,0.2W	57668	CRB20 FXE 10K0
A1A1R9010	322-3114-00				RES,FXD:METAL FILM:150 OHM,1%,0.2W	57668	CRB20-FX150E
A1A1R9011	322-3258-00				RES,FXD:METAL FILM:4.75K OHM,1%,0.2W	56845	CCF50-2-G4751FT
A1A1R9012	322-3143-00				RES,FXD,FILM:301 OHM,1%,0.2W	57668	CRB20 FXE 301E

Replaceable Parts List (Cont.)

Assy Number	Tektronix Part Number	Serial No. Effective	Serial No. Discont'd	Qty	Name & Description	Mfr. Code	Mfr. Part Number
A1A1	670-9285-XX				CIRCUIT BD ASSY:MAIN W/O EPROM (Con't)		
A1A1R9013	322-3306-00				RES,FXD:METAL FILM:15.0K OHM,1%,0.2W	57668	CRB20 FXE 15K0
A1A1R9014	322-3310-00				RES,FXD,FILM:16.5K OHM,1%,0.2W	57668	CRB20 FXE 16K5
A1A1R9015	322-3342-00				RES,FXD,FILM:35.7K OHM,1%,0.2W	57668	CRB20 FXE 35K7
A1A1R9020	321-0038-00				RES,FXD,FILM:24.3 OHM,1%,0.125W	57668	CRB14 FXE 24.3
A1A1R9021	322-3097-00				RES,FXD:METAL FILM:100 OHM,1%,0.2W	57668	CRB20 FXE 100E
A1A1R9022	322-3280-00				RES,FXD,FILM:8.06K OHM,1%,0.2W	57668	CRB20 FXE 8K06
A1A1R9023	322-3097-00				RES,FXD:METAL FILM:100 OHM,1%,0.2W	57668	CRB20 FXE 100E
A1A1R9024	322-3222-00				RES,FXD:METAL FILM:2.00K OHM,1%,0.2W	57668	CRB20 FXE 2K00
A1A1R9025	322-3306-00				RES,FXD:METAL FILM:15.0K OHM,1%,0.2W	57668	CRB20 FXE 15K0
A1A1R9026	322-3234-00				RES,FXD,FILM:2.67K OHM,1%,0.2W	91637	CCF50-2F26700F
A1A1R9027	322-3126-00				RES,FXD,FILM:200 OHM,1%,0.2W	91637	CCF501G200R0F
A1A1R9030	322-3371-00				RES,FXD,FILM:71.5K OHM,1%,0.2W	57668	CRB20 FXE 71K5
A1A1R9031	322-3331-00				RES,FXD:METAL FILM:27.4K OHM,1%,0.2W	57668	CRB20 FXE 27K4
A1A1R9032	311-0633-00				RES,VAR,NONWWW:TRMR,5K OHM,0.5W CERMET	32997	3329H-L58-502
A1A1TP1040	214-0579-02	B010100	B037260		TERM,TEST POINT:0.052 ID,0.169 H,0.465 L	10392	7-16150-8
A1A1TP1041	214-0579-02	B010100	B037260		TERM,TEST POINT:0.052 ID,0.169 H,0.465 L	10392	7-16150-8
A1A1TP2040	214-0579-02	B010100	B037260		TERM,TEST POINT:0.052 ID,0.169 H,0.465 L	10392	7-16150-8
A1A1TP3040	214-0579-02	B010100	B037260		TERM,TEST POINT:0.052 ID,0.169 H,0.465 L	10392	7-16150-8
A1A1TP3041	214-0579-02	B010100	B037260		TERM,TEST POINT:0.052 ID,0.169 H,0.465 L	10392	7-16150-8
A1A1TP4020	214-0579-02	B010100	B037260		TERM,TEST POINT:0.052 ID,0.169 H,0.465 L	10392	7-16150-8
A1A1TP4021	214-0579-02	B010100	B037260		TERM,TEST POINT:0.052 ID,0.169 H,0.465 L	10392	7-16150-8
A1A1TP4040	214-0579-02	B010100	B037260		TERM,TEST POINT:0.052 ID,0.169 H,0.465 L	10392	7-16150-8
A1A1TP6010	214-0579-02	B010100	B037260		TERM,TEST POINT:0.052 ID,0.169 H,0.465 L	10392	7-16150-8
A1A1TP7010	214-0579-02	B010100	B037260		TERM,TEST POINT:0.052 ID,0.169 H,0.465 L	10392	7-16150-8
A1A1TP9010	214-0579-02	B010100	B037260		TERM,TEST POINT:0.052 ID,0.169 H,0.465 L	10392	7-16150-8
A1A1TP9011	214-0579-02	B010100	B037260		TERM,TEST POINT:0.052 ID,0.169 H,0.465 L	10392	7-16150-8
A1A1TP9040	214-0579-02	B010100	B037260		TERM,TEST POINT:0.052 ID,0.169 H,0.465 L	10392	7-16150-8
A1A1TP9041	214-0579-02	B010100	B037260		TERM,TEST POINT:0.052 ID,0.169 H,0.465 L	10392	7-16150-8
A1A1U1010	156-2760-00				IC,DIGITAL:CMOS,MISC;NONVOLATILE CONTROL	0B0A9	DS1210
A1A1U1011	156-2763-00				IC,DIGITAL:HCMOS,FLIP FLOP;DUAL J-K	04713	MC74HC113N
A1A1U1012	156-1225-00				IC,LINEAR:BIPOLAR,COMPARATOR;DUAL	01295	LM393P



Replaceable Parts List (Cont.)

Assy Number	Tektronix Part Number	Serial No. Effective	Serial No. Discont'd	Qty	Name & Description	Mfr. Code	Mfr. Part Number
A1A1	670-9285-XX				CIRCUIT BD ASSY:MAIN W/O EPROM (Con't)		
A1A1U1020	156-2473-00				IC, MEMORY:CMOS, SRAM;8K X 8,200NS,200NA	0JR04	TC5564PL-20
A1A1U1021	156-2473-00				IC, MEMORY:CMOS, SRAM;8K X 8,200NS,200NA	0JR04	TC5564PL-20
A1A1U1022	156-2583-00				IC, DIGITAL:HCMOS, DEMUX/DECODER	01295	SN74HC138N
A1A1U1023	156-2587-00				IC, DGTL:CPU 6MHZ,Z-80 DIP40	0JR04	TMPZ84C00AP-6
A1A1U1030	156-1397-00				IC, DIGITAL:CMOS, GATES;8-INPUT NAND	27014	MM74C30N
A1A1U1031	156-2392-00				IC, DIGITAL:HCMOS, GATE;HEX INV, SCHMITT TRIG	04713	MC74HC14N
A1A1U1032	156-1994-00				IC, DIGITAL:CMOS, BUFFER/DRIVER;OCTAL INV	27014	MM74C240
A1A1U1034	156-0991-02				IC, LINEAR:VOLTAGE REGULATOR	04713	MC78L05ACPRP
A1A1U1040	156-3058-00				IC, DIGITAL:HCMOS, GATE;DUAL 4-INPUT NAND	01295	SN74HC20N
A1A1U1041	156-2009-00				IC, DIGITAL:HCMOS, FLIP FLOP;DUAL D-TYP	01295	SN74HC74N
A1A1U1042	156-3180-00				IC, DIGITAL:HCMOS, GATE;TRIPLE 3-INPUT NOR	04713	MC74HC27N
A1A1U1043	156-2463-00				IC, DITIAL:HCMOS, GATE;QUAD 2-INPUT OR	01295	SN74HC32N
A1A1U2011	156-2415-00				IC, DIGITAL:HCMOS, TRANSCEIVER;OCTAL, NONINV	04713	MC74HC245AN
A1A1U2012	156-3110-00				IC, DIGITAL:HCMOS, BUFFER;NONINV OCTAL	27014	MM74HC244N
	136-0755-00				SOCKET, DIP:PCB, 28 POS, 2 X 14, 0.1 X 0.6 CTR	09922	DILB28P-108
A1A1U2021	156-2583-00				IC, DIGITAL:HCMOS, DEMUX/DECODER	01295	SN74HC138N
A1A1U2022	156-2583-00				IC, DIGITAL:HCMOS, DEMUX/DECODER	01295	SN74HC138N
A1A1U2023	156-2009-00				IC, DIGITAL:HCMOS, FLIP FLOP;DUAL D-TYP	01295	SN74HC74N
A1A1U2024	156-2583-00				IC, DIGITAL:HCMOS, DEMUX/DECODER	01295	SN74HC138N
A1A1U2025	156-2763-00				IC, DIGITAL:HCMOS, FLIP FLOP;DUAL J-K	04713	MC74HC113N
A1A1U2026	156-2583-00				IC, DIGITAL:HCMOS, DEMUX/DECODER	01295	SN74HC138N
A1A1U2027	156-2763-00				IC, DIGITAL:HCMOS, FLIP FLOP;DUAL J-K	04713	MC74HC113N
A1A1U2030	156-2767-00				IC, DGTL:CHMOS, COUNTER TIMER 82C54	34649	P82C54
A1A1U2031	119-2736-00				CRYSTAL, SCOPE	75378	MXO-55GA-3I-20M
A1A1U2032	156-2096-00				IC, DIGITAL:ALSTTL, FLIP FLOP;QUAD D-TYPE	01295	SN74ALS175N
A1A1U2033	156-2759-00				IC, DIGITAL:ALSTTL, FLIP FLOP;DUAL J-K	01295	74ALS113
A1A1U2034	156-2092-00				IC, DIGITAL:ALSTTL, GATE;QUAD 2-INPUT NOR	01295	SN74ALS02N
A1A1U2036	156-2096-00				IC, DIGITAL:ALSTTL, FLIP FLOP;QUAD D-TYPE	01295	SN74ALS175N
A1A1U2037	156-2098-00				IC, DIGITAL:ALSTTL, COUNTER;SYNCH 4-BIT	01295	SN74ALS161BN
A1A1U2040	156-2437-00				IC, DIGITAL:HCTCMOS, GATE;QUAD 2-INPUT AND	34371	CD74HCT08E17
A1A1U2041	156-2768-00				IC, LINEAR:12 BIT PLUS SIGN 1205	27014	ADC1205
A1A1U2042	156-2759-00				IC, DIGITAL:ALSTTL, FLIP FLOP;DUAL J-K	01295	74ALS113



Replaceable Parts List (Cont.)

Assy Number	Tektronix Part Number	Serial No. Effective	Serial No. Discont'd	Qty	Name & Description	Mfr. Code	Mfr. Part Number
A1A1	670-9285-XX				CIRCUIT BD ASSY:MAIN W/O EPROM (Con't)		
A1A1U2043	156-2421-00				IC,DIGITAL:HCMOS,FLIP FLOP;QUAD D-TYPE	04713	MC74HC175N
A1A1U2044	156-3107-00				IC,DIGITAL:HCMOS,FLIP FLOP;OCTAL D-TYPE	01295	SN74HC374N
A1A1U2045	156-1752-00				IC,DIGITAL:FTTL,GATE;TRIPLE 3-INPUT NAND	04713	MC 74F10N
A1A1U2046	156-3151-00				IC,INTFC:CMOS,D/A CONVERTER	24355	AD7534JN
A1A1U3010	156-3107-00				IC,DIGITAL:HCMOS,FLIP FLOP;OCTAL D-TYPE	01295	SN74HC374N
A1A1U3020	156-2026-00				IC,DIGITAL:HCMOS,GATE;QUAD 2-INPUT NOR	04713	MC74HC02AN
A1A1U3021	156-3107-00				IC,DIGITAL:HCMOS,FLIP FLOP;OCTAL D-TYPE	01295	SN74HC374N
A1A1U3022	156-2421-00				IC,DIGITAL:HCMOS,FLIP FLOP;QUAD D-TYPE	04713	MC74HC175N
A1A1U3023	156-0927-00				IC,LINEAR:DIGITAL TO ANALOG CONVERTER	04713	MC3410CL
A1A1U3040	156-1173-00				IC,LINEAR:BIPOLAR,VOLT REF;POS,2.5V,1.0%	04713	MC1403U
A1A1U3041	156-0854-00				IC,LINEAR:BIPOLAR,OP-AMP	24355	OP08FP OR PM308-026P
A1A1U3042	156-1114-00				IC,LINEAR:MOS/FET INP,COS/MOS OUT,OP AMP	34371	CA3160E
A1A1U4020	156-3151-00				IC,INTFC:CMOS,D/A CONVERTER	24355	AD7534JN
A1A1U4021	156-1699-00				IC,LINEAR:DUAL BI-FET,OPNL AMPL,LOW OFFSET	01295	TL288CP
A1A1U4040	156-0513-00				IC,MISC:CMOS,ANALOG MUX;8 CHANNEL	04713	MC14051BCP
A1A1U5010	156-0854-00				IC,LINEAR:BIPOLAR,OP-AMP	24355	OP08FP OR PM308-026P
A1A1U5020	156-1156-00				IC,LINEAR:BIFET,OP-AMP;:LF356N,DIP08.3	04713	LF356N
A1A1U5040	156-1114-00				IC,LINEAR:MOS/FET INP,COS/MOS OUT,OP AMP	34371	CA3160E
A1A1U6040	156-0513-00				IC,MISC:CMOS,ANALOG MUX;8 CHANNEL	04713	MC14051BCP
A1A1U7010	156-2763-00				IC,DIGITAL:HCMOS,FLIP FLOP;DUAL J-K	04713	MC74HC113N
A1A1U7040	156-1114-00				IC,LINEAR:MOS/FET INP,COS/MOS OUT,OP AMP	34371	CA3160E
A1A1U8010	156-1707-00				IC,DIGITAL:FTTL,GATE;QUAD 2-INPUT NAND	04713	MC74F00 (N OR J)
A1A1U8040	156-0513-00				IC,MISC:CMOS,ANALOG MUX;8 CHANNEL	04713	MC14051BCP
A1A1U8041	156-1114-00				IC,LINEAR:MOS/FET INP,COS/MOS OUT,OP AMP	34371	CA3160E
A1A1U9030	156-0496-00				IC,LINEAR:VOLTAGE REGULATOR RC4194D,MI	34333	SG4194CJ
A1A1VR3030	152-0647-00				DIODE,ZENER:6.8V,5%,0.4W;1N957B	04713	1N957B
A1A1VR6030	152-0514-00				DIODE,ZENER:10V,1%,0.4W;MZ4104D	04713	MZ4104D



Replaceable Parts List (Cont.)

Assy Number	Tektronix Part Number	Serial No. Effective	Serial No. Discont'd	Qty	Name & Description	Mfr. Code	Mfr. Part Number
A2	672-1251-XX				CIRCUIT BD ASSY:FRONT PANEL (Con't)		
A2PS2030	119-2370-00				CONVERTER:DC – AC,15V IN,80V AT 400 HZ	63312	LPS15-1-2
A2Q1020	151-1176-00				XSTR,PWR:MOS,P-CH;100V,1.0A,0.6 OHM	04713	IRFD9120
A2Q1030	151-1176-00				XSTR,PWR:MOS,P-CH;100V,1.0A,0.6 OHM	04713	IRFD9120
A2Q2020	151-1121-01				XSTR,PWR:MOS,N-CH,60V,0.5A,3.0 OHM	17856	VN0606L-TA
A2R1010	322-3385-00				RES,FXD:METAL FILM:100K OHM,1%,0.2W	57668	CRB20 FXE 100K
A2R1011	321-0816-00				RES,FXD,FILM:5K OHM,1%,0.125W	01121	ADVISE
A2R1012	322-3097-00				RES,FXD:METAL FILM:100 OHM,1%,0.2W	5768	CRB20 FXE 100E
A2R1013	322-3347-00				RES,FXD,FILM:40.2K OHM,1%,0.2W	91637	CCF50-2-G40201F
A2R1018	311-1337-00				RES,VAR,NONWWW:TRMR,25K OHM,0.5W CERMET	02111	43P253T672
A2R1020	322-3097-00				RES,FXD:METAL FILM:100 OHM,1%,0.2W	5768	CRB20 FXE 100E
A2R1021	322-3385-00				RES,FXD:METAL FILM:100K OHM,1%,0.2W	57668	CRB20 FXE 100K
A2R1022	311-2400-00				RES,VAR,PLASTIC:DUAL 10K,10% NO STOPS	12697	CM45241
A2R1023	322-3385-00				RES,FXD:METAL FILM:100K OHM,1%,0.2W	57668	CRB20 FXE 100K
A2R1024	322-3385-00				RES,FXD:METAL FILM:100K OHM,1%,0.2W	57668	CRB20 FXE 100K
A2R1025	322-3385-00				RES,FXD:METAL FILM:100K OHM,1%,0.2W	57668	CRB20 FXE 100K
A2R1026	322-3385-00				RES,FXD:METAL FILM:100K OHM,1%,0.2W	57668	CRB20 FXE 100K
A2R1027	322-3385-00				RES,FXD:METAL FILM:100K OHM,1%,0.2W	57668	CRB20 FXE 100K
A2R1030	322-3385-00				RES,FXD:METAL FILM:100K OHM,1%,0.2W	57668	CRB20 FXE 100K
A2R1031	322-3059-00				RES,FXD,FILM:40.2 OHM,1%,0.2W	91637	CCF50-2G40R020FT
A2R2010	322-3385-00				RES,FXD:METAL FILM:100K OHM,1%,0.2W	57668	CRB20 FXE 100K
A2R2020	322-3001-00				RES,FXD:METAL FILM:10 OHM,1%,0.2W	57668	CRB20 FXE 10E0
A2R2021	322-3385-00				RES,FXD:METAL FILM:100K OHM,1%,0.2W	57668	CRB20 FXE 100K
A2R2022	321-0523-00				RES,FXD,FILM:2.74M OHM,1%,0.125W	07716	CEA 2.74 M OHM
A2R2024	311-2400-00				RES,VAR,PLASTIC:DUAL 10K,10% NO STOPS	12697	CM45241
A2R2030	322-3385-00				RES,FXD:METAL FILM:100K OHM,1%,0.2W	57668	CRB20 FXE 100K
A2R2031	322-3385-00				RES,FXD:METAL FILM:100K OHM,1%,0.2W	57668	CRB20 FXE 100K
A2R2032	322-3347-00				RES,FXD,FILM:40.2K OHM,1%,0.2W	91637	CCF50-2-G40201F
A2R2034	322-3385-00				RES,FXD:METAL FILM:100K OHM,1%,0.2W	57668	CRB20 FXE 100K
A2R2035	322-3385-00				RES,FXD:METAL FILM:100K OHM,1%,0.2W	57668	CRB20 FXE 100K
A2R2036	322-3385-00				RES,FXD:METAL FILM:100K OHM,1%,0.2W	57668	CRB20 FXE 100K
A2R2037	322-3385-00				RES,FXD:METAL FILM:100K OHM,1%,0.2W	57668	CRB20 FXE 100K

Replaceable Parts List (Cont.)

Assy Number	Tektronix Part Number	Serial No. Effective	Serial No. Discont'd	Qty	Name & Description	Mfr. Code	Mfr. Part Number
A2	672-1251-XX				CIRCUIT BD ASSY:FRONT PANEL (Con't)		
A2R3010	322-3385-00				RES,FXD:METAL FILM:100K OHM,1%,0.2W	57668	CRB20 FXE 100K
A2R3011	322-3385-00				RES,FXD:METAL FILM:100K OHM,1%,0.2W	57668	CRB20 FXE 100K
A2R3020	311-2400-00				RES,VAR,PLASTIC:DUAL 10K,10% NO STOPS	12697	CM45241
A2R3024	307-0504-00				RES NTWK,FXD,FI:(15) 300K OHM,2%,0.125W	01121	316A304
A2R3031	307-0504-00				RES NTWK,FXD,FI:(15) 300K OHM,2%,0.125W	01121	316A304
A2RT2038	307-0751-00				RES,THERMAL:20K OHM,5%	56866	QTMC-19J
A2S1010	260-2091-00				SWITCH,PUSH:1 BTN,1 POLE RECORD/SWEEP	71590	2LL199NB021074
A2S1011	260-2091-00				SWITCH,PUSH:1 BTN,1 POLE RECORD/SWEEP	71590	2LL199NB021074
A2S2010	260-2091-00				SWITCH,PUSH:1 BTN,1 POLE RECORD/SWEEP	71590	2LL199NB021074
A2S2011	260-2091-00				SWITCH,PUSH:1 BTN,1 POLE RECORD/SWEEP	71590	2LL199NB021074
A2S3010	260-2091-00				SWITCH,PUSH:1 BTN,1 POLE RECORD/SWEEP	71590	2LL199NB021074
A2S3012	260-2269-00	R010100	B020819		SWITCH,ROTARY:NOISE PC MOUNT	81073	51YY23669
	260-2269-01	B020820			SWITCH,ROTARY:NOISE PC MOUNT	04426	47-012-0014
A2S3020	260-2270-00	R010100	B020819		SWITCH,ROTARY:HORIZONTAL SCALE	81073	51YY23673
	260-2270-01	B020820			SWITCH,ROTARY:HORIZONTAL SCALE	04426	47-006-0065
A2S3021	260-2287-00	R010100	B020819		SWITCH,ROTARY:VP COURSE	81073	51YY23671
	260-2287-01	B020820			SWITCH,ROTARY:VP COURSE	04426	47-012-0011
A2S3022	260-2269-00	R010100	B020819		SWITCH,ROTARY:NOISE PC MOUNT	81073	51YY23669
	260-2269-01	B020820			SWITCH,ROTARY:NOISE PC MOUNT	04426	47-012-0014
A2U2010	156-0853-00				IC,LINEAR:BIPOLAR,OP-AMP;DUAL	18324	NE532
A2U2020	156-1225-00				IC,LINEAR:BIPOLAR,COMPARATOR;DUAL	04713	LM393N
A2U2021	156-1367-00				IC,CONVERTER:CMOS,D/A;8 BIT,400NS	24355	AD7524JN
A2U2022	156-2463-00				IC,DIGITAL:HCMOS,GATE;QUAD 2-INPUT OR	01295	SN74HC32N
A2U2023	156-2589-00				IC,CONVERTER:TTL,A/D;8-BIT,100US,SAR	80009	156-2589-00
A2U2024	156-2758-00				IC,DIGITAL:HCMOS,MUX/ENCODER;DUAL	0JR04	TC74HC253AP
A2U2025	156-2758-00				IC,DIGITAL:HCMOS,MUX/ENCODER;DUAL	0JR04	TC74HC253AP
A2U3020	156-2026-00				IC,DIGITAL:HCMOS,GATE;QUAD 2-INPUT NOR	04713	MC74HC02AN
A2U3021	156-2026-00				IC,DIGITAL:HCMOS,GATE;QUAD 2-INPUT NOR	04713	MC74HC02AN
A2U3022	156-2026-00				IC,DIGITAL:HCMOS,GATE;QUAD 2-INPUT NOR	04713	MC74HC02AN

**Replaceable Parts List (Cont.)**

Assy Number	Tektronix Part Number	Serial No. Effective	Serial No. Discont'd	Qty	Name & Description	Mfr. Code	Mfr. Part Number
A2	672-1251-XX				CIRCUIT BD ASSY:FRONT PANEL (Con't)		
A2U3023	156-2026-00				IC,DIGITAL:HCMOS,GATE;QUAD 2-INPUT NOR	04713	MC74HC02AN
A2U3025	156-2758-00				IC,DIGITAL:HCMOS,MUX/ENCODER;DUAL	0JR04	TC74HC253AP
A2U3031	156-2758-00				IC,DIGITAL:HCMOS,MUX/ENCODER;DUAL	0JR04	TC74HC253AP

Replaceable Parts List (Cont.)

Assy Number	Tektronix Part Number	Serial No. Effective	Serial No. Discont'd	Qty	Name & Description	Mfr. Code	Mfr. Part Number
<b>A3</b>	<b>620-0477-XX</b>				<b>POWER SUPPLY ASSEMBLY</b>		
					<b>CHASSIS MOUNTED ELECTRICAL PARTS</b>		
A3C102	283-0024-00				CAP,FXD,CER DI:0.1UF,+80-20%,50V	80009	283-0024-00
A3C201	283-0167-00	B025000	B037302		CAP,FXD,CER DI:0.1UF,10%,100V	80009	283-0167-00
A3F101	159-0029-01				FUSE CARTRIDGE:BUSSMAN ONLY	80009	159-0029-01
A3F101	159-0054-00				FUSE CARTRIDGE:3AG,0.15A,250V	80009	159-0054-00
A3FL1	119-1957-00	R010100	B024999		FILTER,RFI:1A,250VAC,PWR CONN	80009	119-1957-00
	119-3488-00	B025000			FILTER,RFI:1A,115/230VAC,50/60HW	80009	119-3488-00
A3L201	120-1458-00	B025000	B037302		XFMR,RF:TOROID 1980,TD-415	80009	120-1458-00
A3R101	307-0449-00				RES,V SENSITIVE:1900PF,100A,130V	80009	307-0449-00
A3S201	260-2372-00				SWITCH,ROTARY:VOLTAGE SELECTOR	80009	260-2372-00
A3T201	120-1607-00	B010100	B037302		XFMR,PWR:DUAL PRI 115/230VAC,50/60HZ	80009	120-1607-00
	120-1922-00	B037303			XFMR,PWR:DUAL PRI 115/230VAC,50/60HZ	80009	120-1922-00
<b>A3A1</b>	<b>670-9286-XX</b>				<b>CIRCUIT BD ASSY:POWER SUPPLY</b>		
A3A1C1010	290-0997-00				CAP,FXD,ELCTLT:3000UF,-10%+75%,75V	24165	53D268
A3A1C1011	283-0220-02				CAP,FXD,CER DI:0.01UF,20%,50V	04222	AR205C103MAATRSTDII
A3A1C1012	283-0359-01				CAP,FXD,CER DI:1000PF,5%,200V	31433	C322C102J2G5CA
A3A1C1013	281-0925-01				CAP,FXD,CER DI:MLC,0.22UF,20%,50V	31433	C114C224M5Y5CA
A3A1C1014	283-0359-01				CAP,FXD,CER DI:1000PF,5%,200V	31433	C322C102J2G5CA
A3A1C1015	283-0359-01				CAP,FXD,CER DI:1000PF,5%,200V	31433	C322C102J2G5CA
A3A1C1016	283-0107-00				CAP,FXD,CER DI:51PF,5%,200V	04222	SR202A510JAA
A3A1C1030	283-0059-02				CAP,FXD,CER DI:1UF,20%,50V	04222	SR305C105MAATRSTDII
A3A1C1031	283-0059-02				CAP,FXD,CER DI:1UF,20%,50V	04222	SR305C105MAATRSTDII
A3A1C1032	290-0536-04				CAP,FXD,ELCTLT:10UF,20%,25V	24165	199D106X0025CA1
A3A1C1033	290-0536-04				CAP,FXD,ELCTLT:10UF,20%,25V	24165	199D106X0025CA1
A3A1C1034	283-0177-00				CAP,FXD,CER DI:1UF,+80-20%,25V	04222	SR305E105ZAA
A3A1C1035	283-0177-00				CAP,FXD,CER DI:1UF,+80-20%,25V	04222	SR305E105ZAA
A3A1C1036	283-0177-00				CAP,FXD,CER DI:1UF,+80-20%,25V	04222	SR305E105ZAA
A3A1C1037	290-0973-01				CAP,FXD,ELCTLT:100UF,20%,25VDC AL	1W344	SME35VB101M8X11FT
A3A1C1038	283-0177-00				CAP,FXD,CER DI:1UF,+80-20%,25V	04222	SR305E105ZAA
A3A1C2010	290-0973-01				CAP,FXD,ELCTLT:100UF,20%,25VDC AL	1W344	SME35VB101M8X11FT

Replaceable Parts List (Cont.)

Assy Number	Tektronix Part Number	Serial No. Effective	Serial No. Discont'd	Qty	Name & Description	Mfr. Code	Mfr. Part Number
A3A1	670-9286-XX				CIRCUIT BD ASSY:POWER SUPPLY (Con't)		
A3A1C2011	290-0517-00				CAP,FXD,ELCTLT:6.8UF,20%,35V	24165	199D685X0035DA1
A3A1C2012	290-0973-01				CAP,FXD,ELCTLT:100UF,20%,25VDC AL	1W344	SME35VB101M8X11FT
A3A1C2013	283-0198-00	R020399			CAP,FXD,CER DI:0.22UF,20%,50V	04222	SR305C224MAA
A3A1C2020	283-0051-00				CAP,FXD,CER DI:0.0033UF,5%,100V	04222	SR301A332JAA
A3A1C2021	290-0745-02				CAP,FXD,ELCTLT:22UF,+50-10%,25V,AL	55680	UVX2A220MPA
A3A1C2022	283-0010-00				CAP,FXD,CER DI:0.05UF,+80-20%,50V	04222	SR305E503ZAA
A3A1C2023	283-0220-02				CAP,FXD,CER DI:0.01UF,20%,50V	04222	AR205C103MAATRSTDII
A3A1C2024	281-0925-01				CAP,FXD,CER DI:0.22UF,20%,50V	31433	C114C224M5Y5CA
A3A1C2025	290-0846-00				CAP,FXD,ELCTLT:47UF,+75-20%,35V AL	0J9R5	CEUSM1J470
A3A1C2030	281-0925-01				CAP,FXD,CER DI:0.22UF,20%,50V	31433	C114C224M5Y5CA
A3A1C2031	283-0059-02				CAP,FXD,CER DI:1UF,20%,50V	04222	SR305C105MAATRSTDII
A3A1CR1010	152-0406-00				DIODE,RECT:BRIDGE,250V,3A,1.2VF	14936	GBPC604
A3A1CR1011	152-0322-00				DIODE DVC,DI:SCHOTTKY,SI,15V,1.2PF	50434	5082-2672
A3A1CR1030	152-0582-00				DIODE,RECT:SCHTKY,20V,3A,.475VF,80A	04713	1N5820
A3A1CR1031	152-0582-00				DIODE,RECT:SCHTKY,20V,3A,.475VF,80A	04713	1N5820
A3A1CR1032	152-0581-00				DIODE,RECT:SCHTKY,20V,1A,.450VF,25A	14936	SB120-5
A3A1CR1033	152-0581-00				DIODE,RECT:SCHTKY,20V,1A,.450VF,25A	14936	SB120-5
A3A1CR1034	152-0779-00				DIODE,RECT:FAST RCVRY;BRIDGE,200V	80009	152-0779-00
A3A1CR2010	152-0601-00				DIODE,RECT:ULTRA FAST;150V,25NS,35A	04713	MUR115
A3A1CR2011	152-1165-00				DIODE,RECT:600V,4A,50NS	04713	MUR460RL
A3A1CR2012	152-0582-00				DIODE,RECT:SCHTKY,20V,3A,.475VF,80A	04713	1N5820
A3A1CR2013	152-0322-00				DIODE DVC,DI:SCHOTTKY,SI,15V,1.2PF	50434	5082-2672
A3A1CR2014	152-0322-00				DIODE DVC,DI:SCHOTTKY,SI,15V,1.2PF	50434	5082-2672
A3A1CR2015	152-0601-00	R010100	R010140		DIODE,RECT:ULTRA FAST;150V,25NS,35A	04713	MUR115
	152-0836-00	R010141			DIODE DVC,DI:RECT,SI,1A,40V 1N5819	80009	152-0836-00
A3A1CR2016	152-0141-02				DIODE,SIG:ULTRA FAST;40V,150MA,4NS,2PF	14433	1N4152
A3A1CR2020	152-0322-00				DIODE DVC,DI:SCHOTTKY,SI,15V,1.2PF	50434	5082-2672
A3A1CR2021	152-0601-00				DIODE,RECT:ULTRA FAST;150V,25NS,35A	04713	MUR115
A3A1CR2030	152-0333-00				DIODE DVC,DI:SW,SI,55V,200MA	12969	NDP261
A3A1CR2031	152-0333-00				DIODE DVC,DI:SW,SI,55V,200MA	12969	NDP261

Replaceable Parts List (Cont.)

Assy Number	Tektronix Part Number	Serial No. Effective	Serial No. Discont'd	Qty	Name & Description	Mfr. Code	Mfr. Part Number
A3A1	670-9286-XX				CIRCUIT BD ASSY:POWER SUPPLY (Con't)		
A3A1J1010	131-4177-00				CONN,HDR:PCB,MALE,STR,1 X 31,0.15 CTR	80009	131-4177-00
A3A1J1030	131-3445-00				CONN,HDR:PCB,MALE,RTANG,2 X 7,0.1 CTR	80009	131-3445-00
A3A1J2010	131-1857-00				CONN,HDR:PCB,MALE,STR,1 X 36,0.1 CTR	58050	082-3644-SS10
A3A1L1010	108-1230-00				COIL,RF:FIXED,100UH,5% POT CORE	54937	500-3990
A3A1L2020	108-1230-00				COIL,RF:FIXED,100UH,5% POT CORE	54937	500-3990
A3A1Q1010	151-1176-00				XSTR,PWR:MOS,P-CH;100V,1.0A,0.6 OHM	04713	IRFD9120
A3A1Q1011	151-1176-00				XSTR,PWR:MOS,P-CH;100V,1.0A,0.6 OHM	04713	IRFD9120
A3A1Q1012	151-0736-00				XSTR:NPN,SI,TO-92 2N4401	04713	2N4401
A3A1Q2010	151-0736-00				XSTR:NPN,SI,TO-92 2N4401	04713	2N4401
A3A1Q2011	151-1176-00				XSTR,PWR:MOS,P-CH;100V,1.0A,0.6 OHM	04713	IRFD9120
A3A1Q2012	151-1176-00				XSTR,PWR:MOS,P-CH;100V,1.0A,0.6 OHM	04713	IRFD9120
A3A1Q2020	151-0188-00				XSTR,SIG:BIPOLAR,PNP;40V,200MA,250MHZ,AMP	03508	X39H3162
A3A1Q2021	151-0424-00				XSTR:NPN,SI,TO-92 MPS2369A	04713	MPS2369A
A3A1Q2022	151-1136-00				XSTR,PWR:MOS,N-CH;100V,14A,0.16 OHM	04713	MTP12N10E
A3A1Q2030	151-1063-00				XSTR,PWR:MOS,N-CH;60V,0.8A,0.8 OHM	04713	IRFD113
A3A1Q2031	151-1063-00				XSTR,PWR:MOS,N-CH;60V,0.8A,0.8 OHM	04713	IRFD113
A3A1R1010	308-0839-00				RES,FXD:0.1 OHM,5%,1.0W MI	56637	BW1 0.1 OHM
A3A1R1011	322-3193-00				RES,FXD:METAL FILM:1K OHM,1%,0.2W	57668	CRB20 FXE 1K00
A3A1R1012	322-3222-00				RES,FXD:METAL FILM:2K OHM,1%,0.2W	57668	CRB20 FXE 2K00
A3A1R1013	322-3309-00				RES,FXD,FILM:16.2K OHM,1%,0.2W	91637	CCF50-2-G16201FT
A3A1R1014	322-3243-00				RES,FXD:METAL FILM:3.32K OHM,1%,0.2W	91637	CCF50-1-G3200F
A3A1R1015	322-3231-00				RES,FXD,FILM:2.49K OHM,1%,0.2W	57668	CRB20 FXE 2K49
A3A1R1016	321-0301-00	R010100	R010140		RES,FXD,FILM:13.3K OHM,1%,0.125W	80009	321-0301-00
	322-3303-00	R010141			RES,FXD,FILM:14K OHM,1%,0.2W	57668	CRB20 FXE 14K0
A3A1R1017	322-3243-00				RES,FXD:METAL FILM:3.32K OHM,1%,0.2W	91637	CCF50-1-G3200F
A3A1R1018	322-3318-00				RES,FXD:METAL FILM:20K OHM,1%,0.2W	57668	CRB20 FXE 20K0
A3A1R1020	321-0133-00	R010100	R020398		RES,FXD,FILM:237 OHM,1%,0.125W	80009	321-0133-00
	322-3189-00	R020399			RES,FXD,FILM:909 OHM,1%,0.2W	57668	CRB20 FXE 909E



Replaceable Parts List (Cont.)

Assy Number	Tektronix Part Number	Serial No. Effective	Serial No. Discont'd	Qty	Name & Description	Mfr. Code	Mfr. Part Number
A3A1	670-9286-XX				CIRCUIT BD ASSY:POWER SUPPLY (Con't)		
A3A1R1021	321-0296-00	R010100	R020398		RES,FXD,FILM:11.8K OHM,1%,0.125W	80009	321-0296-00
	322-3293-00	R020399			RES,FXD,FILM:11K OHM,1%,0.2W	57668	CRB20 FXE 11K0
A3A1R1022	321-0197-00	R010100	R020398		RES,FXD,FILM:1.10K OHM,1%,0.125W	80009	321-0197-00
	322-3191-00	R020399			RES,FXD,FILM:953 OHM,1%,0.2W	57668	CRB20 FXE 953E
A3A1R1023	322-3235-00				RES,FXD:METAL FILM:2.74K OHM,1%,0.2W	57668	CRB20 FXE 2K74
A3A1R1024	322-3231-00				RES,FXD,FILM:2.49K OHM,1%,0.2W	57668	CRB20 FXE 2K49
A3A1R1025	321-0302-00				RES,FXD,FILM:13.7K OHM,1%,0.125W	57668	CRB20 FXE 13K7
A3A1R1026	322-3193-00				RES,FXD:METAL FILM:1K OHM,1%,0.2W	57668	CRB20 FXE 1K00
A3A1R1030	317-0027-00				RES,FXD,CMPSN:2.7 OHM,5%,0.125W	01121	BB27G5
A3A1R2010	321-0245-00	R010100	R010140		RES,FXD,FILM:3.48K OHM,1%,0.125W	80009	321-0245-00
	322-3257-00	R010141			RES,FXD,FILM:4.64K OHM,1%,0.2W	91637	CCF50-2-G46400FT
A3A1R2011	322-3300-02				RES,FXD,FILM:13K OHM,1%,0.2W	57668	CRB20 DYE 13K0
A3A1R2012	321-0001-00	R010100	R010140		RES,FXD,FILM:10 OHM,1%,0.125W	80009	321-0001-00
	308-0739-00	R010141			RES,FXD,WW:4 OHM,1%,3W	01686	T2B-79-4
A3A1R2013	322-3385-00				RES,FXD:METAL FILM:100K OHM,1%,0.2W	57668	CRB20 FXE 100K
A3A1R2014	322-3357-00				RES,FXD,FILM:51.1K OHM,1%,0.2W	57668	CRB20 FXE 51K1
A3A1R2015	322-3289-00				RES,FXD:METAL FILM:10K OHM,1%,0.2W	57668	CRB20 FXE 10K0
A3A1R2016	322-3097-00				RES,FXD:METAL FILM:100 OHM,1%,0.2W	57668	CRB20 FXE 100E
A3A1R2017	322-3385-00				RES,FXD:METAL FILM:100K OHM,1%,0.2W	57668	CRB20 FXE 100K
A3A1R2018	322-3385-00				RES,FXD:METAL FILM:100K OHM,1%,0.2W	57668	CRB20 FXE 100K
A3A1R2020	321-0253-00				RES,FXD,FILM:4.22K OHM,1%,0.125W	19701	5033ED 4K 220F
A3A1R2021	322-3222-00				RES,FXD:METAL FILM:2K OHM,1%,0.2W	57668	CRB20 FXE 2K00
A3A1R2022	322-3193-00				RES,FXD:METAL FILM:1K OHM,1%,0.2W	57668	CRB20 FXE 1K00
A3A1R2023	322-3261-00				RES,FXD,FILM:5.11K OHM,1%,0.2W	91637	CCF50G5111FT
A3A1R2024	322-3239-00				RES,FXD,FILM:3.01K OHM,1%,0.2W	57668	CRB20 FXE 3K01
A3A1R2025	322-3239-00				RES,FXD,FILM:3.01K OHM,1%,0.2W	57668	CRB20 FXE 3K01
A3A1R2026	322-3289-00				RES,FXD:METAL FILM:10K OHM,1%,0.2W	57668	CRB20 FXE 10K0
A3A1R2027	308-0839-00				RES,FXD:0.1 OHM,5%,1.0W MI	56637	BW1 0.1 OHM
A3A1R2030	322-3326-00				RES,FXD,FILM:24.3K OHM,1%,0.2W	91637	CCF50-2F24301F
A3A1R2031	317-0027-00				RES,FXD,CMPSN:2.7 OHM,5%,0.125W	01121	BB27G5
A3A1R2032	308-0767-00				RES,FXD:1.1 OHM,5%,1W MI	75042	SP-20-1.1 OHM -5%

Replaceable Parts List (Cont.)

Assy Number	Tektronix Part Number	Serial No. Effective	Serial No. Discont'd	Qty	Name & Description	Mfr. Code	Mfr. Part Number
A3A1	670-9286-XX				CIRCUIT BD ASSY:POWER SUPPLY (Con't)		
A3A1S2010	260-2370-00				SWITCH,TOGGLE:SPDT,3A,250VAC	80009	260-2370-00
A3A1T1030	120-1608-00				XFMR,PWR:SW,40KHZ,IN 16.2V,OUT +/-15V 34MA	OJR03	120-1608-00
A3A1T1031	120-0487-00				XFMR,TOROID:5 TURNS,BIFILAR,3T2	OJR03	120-0487-00
A3A1TP1010	214-0579-02	B010100	B037261		TERM,TEST POINT:0.052 ID,0.169 H,0.465 L	10392	7-16150-8
A3A1TP1020	214-0579-02	B010100	B037261		TERM,TEST POINT:0.052 ID,0.169 H,0.465 L	10392	7-16150-8
A3A1TP2010	214-0579-02	B010100	B037261		TERM,TEST POINT:0.052 ID,0.169 H,0.465 L	10392	7-16150-8
A3A1TP2030	214-0579-02	B010100	B037261		TERM,TEST POINT:0.052 ID,0.169 H,0.465 L	10392	7-16150-8
A3A1U1010	156-0933-00				IC,LINEAR:REGULATOR,PULSE WIDTH	34333	SG3524N
A3A1U1011	156-1173-00				IC,LINEAR:BIPOLAR,VOLT REF;POS,2.5V,1.0%	04713	MC1403U
A3A1U1020	156-1225-00				IC,LINEAR:BIPOLAR,COMPARATOR:DUAL	04713	LM393N
A3A1U1021	156-1225-00				IC,LINEAR:BIPOLAR,COMPARATOR:DUAL	04713	LM393N
A3A1U1022	156-1173-00				IC,LINEAR:BIPOLAR,VOLT REF;POS,2.5V,1.0%	04713	MC1403U
A3A1U1023	156-0933-00				IC,LINEAR:REGULATOR,PULSE WIDTH	34333	SG3524N
A3A1U1024	156-0366-00				IC,DIGITAL:CMOS,FLIP FLOP:DUAL D-TYPE	04713	MC14013BCP
A3A1U2010	156-1161-00				IC,LINEAR:BIPOLAR,VOLT REG;POS,ADJ	04713	LM317T
A3A1U2030	156-0494-00				IC,DIGITAL:CMOS,BUFFER/DRIVER:HEX INV	04713	MC14049UBCP
A3A1VR1012	152-0217-00	R010141			DIODE,ZENER:8.2V,5%,0.4W	14552	TD3810979

Replaceable Parts List (Cont.)

Assy Number	Tektronix Part Number	Serial No. Effective	Serial No. Discont'd	Qty	Name & Description	Mfr. Code	Mfr. Part Number
A4	670-9291-XX				CKT BD ASSY:S/R DRIVER SAMPLER		
A4C1010	281-0775-00				CAP,FXD,CER DI:0.1UF,20%,50V	04222	SA105E104MAA
A4C1011	281-0775-00				CAP,FXD,CER DI:0.1UF,20%,50V	04222	SA105E104MAA
A4C1020	290-0723-00				CAP,FXD,ELCTLT:150UF,20%,6V	24165	196D157X0006PE3
A4C1030	281-0775-00				CAP,FXD,CER DI:0.1UF,20%,50V	04222	SA105E104MAA
A4C1040	281-0775-00				CAP,FXD,CER DI:0.1UF,20%,50V	04222	SA105E104MAA
A4C1041	290-0804-01				CAP,FXD,ELCTLT:10UF,20%,25V AL	0H1N5	CEUSM1E100T12
A4C1050	281-0765-00				CAP,FXD,CER DI:100PF,5%,100V	04222	SA102A101JAA
A4C1060	281-0775-00				CAP,FXD,CER DI:0.1UF,20%,50V	04222	SA105E104MAA
A4C1061	281-0775-00				CAP,FXD,CER DI:0.1UF,20%,50V	04222	SA105E104MAA
A4C1070	281-0775-00				CAP,FXD,CER DI:0.1UF,20%,50V	04222	SA105E104MAA
A4C1071	281-0775-00				CAP,FXD,CER DI:0.1UF,20%,50V	04222	SA105E104MAA
A4C2010	290-0536-04				CAP,FXD,ELCTLT:10UF,20%,25V	24165	199D106X0025CA1
A4C2011	283-5002-00	B021135	B036426		CAP,FXD,CER DI:1000PF,10%,50V	04222	W1206C102K3B04
	283-0359-01	B036427			CAP,FXD,CER DI:1000PF,5%,200V	31433	C322C102J2G5CA
A4C2012	283-5002-00	B021135	B036426		CAP,FXD,CER DI:1000PF,10%,50V	04222	W1206C102K3B04
	283-0359-01	B036427			CAP,FXD,CER DI:1000PF,5%,200V	31433	C322C102J2G5CA
A4C2020	290-0523-00				CAP,FXD,ELCTLT:2.2UF,20%,20V	24165	196D225X0020HA1
A4C2021	290-0523-00				CAP,FXD,ELCTLT:2.2UF,20%,20V	24165	196D225X0020HA1
A4C2022	290-0523-00				CAP,FXD,ELCTLT:2.2UF,20%,20V	24165	196D225X0020HA1
A4C2023	290-0523-00				CAP,FXD,ELCTLT:2.2UF,20%,20V	24165	196D225X0020HA1
A4C2024	290-0523-00				CAP,FXD,ELCTLT:2.2UF,20%,20V	24165	196D225X0020HA1
A4C2025	283-5002-00	B021135	B036426		CAP,FXD,CER DI:1000PF,10%,50V	04222	W1206C102K3B04
	283-0359-01	B036427			CAP,FXD,CER DI:1000PF,5%,200V	31433	C322C102J2G5CA
A4C2026	283-5002-00	B021135	B036426		CAP,FXD,CER DI:1000PF,10%,50V	04222	W1206C102K3B04
	283-0359-01	B036427			CAP,FXD,CER DI:1000PF,5%,200V	31433	C322C102J2G5CA
A4C2030	281-0861-00				CAP,FXD,CER DI:270PF,5%,50V	04222	SA101A271JAA
A4C2031	283-0193-00				CAP,FXD,CER DI:510PF,2%,100V	04222	SR201A511GAA
A4C2040	281-0775-00				CAP,FXD,CER DI:0.1UF,20%,50V	04222	SA105E104MAA
A4C2041	281-0775-00				CAP,FXD,CER DI:0.1UF,20%,50V	04222	SA105E104MAA
A4C2042	281-0861-00				CAP,FXD,CER DI:270PF,5%,50V	04222	SA101A271JAA
A4C2050	281-0775-00				CAP,FXD,CER DI:0.1UF,20%,50V	04222	SA105E104MAA
A4C2051	290-0522-01				CAP,FXD,ELCTLT:1UF,20%,50V	31433	T355B105M050AS

Replaceable Parts List (Cont.)

Assy Number	Tektronix Part Number	Serial No. Effective	Serial No. Discont'd	Qty	Name & Description	Mfr. Code	Mfr. Part Number
A4	670-9291-XX				CKT BD ASSY:S/R DRIVER SAMPLER (Con't)		
A4C2052	281-0775-00				CAP,FXD,CER DI:0.1UF,20%,50V	04222	SA105E104MAA
A4C2053	285-0627-00				CAP,FXD,PLASTIC:0.0033UF,5%,100V	01002	61F10AC332
A4C2072	290-0782-01				CAP,FXD,ELCTLT:4.7UF,20%,35VDC AL	55680	UVX1V4R7MAA1TD
A4C2080	290-0844-00				CAP,FXD,ELCTLT:100UF,+75-20%,35WVDC AL	0J9R5	CEUSM1V101
A4C2081	290-0844-00				CAP,FXD,ELCTLT:100UF,+75-20%,35WVDC AL	0J9R5	CEUSM1V101
A4C2082	283-5002-00	B021135	B036426		CAP,FXD,CER DI:1000PF,10%,50V	04222	W1206C102K3B04
	283-0359-01	B036427			CAP,FXD,CER DI:1000PF,5%,200V	31433	C322C102J2G5CA
A4C2083	283-5002-00	B021135	B036426		CAP,FXD,CER DI:1000PF,10%,50V	04222	W1206C102K3B04
	283-0359-01	B036427			CAP,FXD,CER DI:1000PF,5%,200V	31433	C322C102J2G5CA
A4C3010	290-0844-00				CAP,FXD,ELCTLT:100UF,+75-20%,35WVDC AL	0J9R5	CEUSM1V101
A4C3011	290-0844-00				CAP,FXD,ELCTLT:100UF,+75-20%,35WVDC AL	0J9R5	CEUSM1V101
A4C3020	281-0775-00				CAP,FXD,CER DI:0.1UF,20%,50V	04222	SA105E104MAA
A4C3030	283-0193-00				CAP,FXD,CER DI:510PF,2%,100V	04222	SR201A511GAA
A4C3060	281-0775-00				CAP,FXD,CER DI:0.1UF,20%,50V	04222	SA105E104MAA
A4C3061	281-0775-00				CAP,FXD,CER DI:0.1UF,20%,50V	04222	SA105E104MAA
A4C3062	290-0844-00				CAP,FXD,ELCTLT:100UF,+75-20%,35WVDC AL	0J9R5	CEUSM1V101
A4C3063	290-0844-00				CAP,FXD,ELCTLT:100UF,+75-20%,35WVDC AL	0J9R5	CEUSM1V101
A4C3064	283-5002-00	B021135	B036426		CAP,FXD,CER DI:1000PF,10%,50V	04222	W1206C102K3B04
	283-0359-01	B036427			CAP,FXD,CER DI:1000PF,5%,200V	31433	C322C102J2G5CA
A4C3065	283-5002-00	B021135	B036426		CAP,FXD,CER DI:1000PF,10%,50V	04222	W1206C102K3B04
	283-0359-01	B036427			CAP,FXD,CER DI:1000PF,5%,200V	31433	C322C102J2G5CA
A4C3070	281-0775-00				CAP,FXD,CER DI:0.1UF,20%,50V	04222	SA105E104MAA
A4C3080	281-0775-00				CAP,FXD,CER DI:0.1UF,20%,50V	04222	SA105E104MAA
A4CR1030	152-0322-00				DIODE DVC,DI:SCHOTTKY,SI,15V,1.2PF	21847	A2X600
A4CR1031	152-0141-02				DIODE,SIG:ULTRA FAST;40V,150MA,4NS,2PF	01295	1N4152R
A4CR1032	152-0141-02				DIODE,SIG:ULTRA FAST;40V,150MA,4NS,2PF	01295	1N4152R
A4CR1040	152-0322-00				DIODE DVC,DI:SCHOTTKY,SI,15V,1.2PF	21847	A2X600
A4CR2050	152-0333-00				DIODE DVC,DI:SW,SI,55V,200MA,DO-351N461D	03508	DJ2011
A4CR2051	152-0333-00				DIODE DVC,DI:SW,SI,55V,200MA,DO-351N461D	03508	DJ2011
A4CR2052	152-0333-00				DIODE DVC,DI:SW,SI,55V,200MA,DO-351N461D	03508	DJ2011
A4CR3020	152-0322-00				DIODE DVC,DI:SCHOTTKY,SI,15V,1.2PF	21847	A2X600
A4CR3021	152-0322-00				DIODE DVC,DI:SCHOTTKY,SI,15V,1.2PF	21847	A2X600

Replaceable Parts List (Cont.)

Assy Number	Tektronix Part Number	Serial No. Effective	Serial No. Discont'd	Qty	Name & Description	Mfr. Code	Mfr. Part Number
A4	670-9291-XX				CKT BD ASSY:S/R DRIVER SAMPLER (Con't)		
A4J3040	131-3360-00				CONN,HDR:PCB,MALE,STR,2 X 10,0.1 CTR	53387	3592-6002
A4L2080	108-1032-00				COIL,RF:FXD,225UH,20% TOROIDAL	0JR03	108-1032-00
A4L2081	108-1032-00				COIL,RF:FXD,225UH,20% TOROIDAL	0JR03	108-1032-00
A4Q1030	151-0190-00				XSTR,SIG:BIPOLAR,NPN;40V,200MA,300MHZ,AMP	01295	SKA3703
A4Q1060	151-1103-00				XSTR,SIG:DMOS,N-CH:ENH,30V,50MA,45 OHM	17856	DM1140/SD210DE
A4Q2030	151-0271-00				XSTR,SIG:BIPOLAR,PNP;15V,30MA,2.0GHZ,AMP	01295	SKA4504
A4Q2040	151-0190-00				XSTR,SIG:BIPOLAR,NPN;40V,200MA,300MHZ,AMP	01295	SKA3703
A4Q2050	151-0188-00				XSTR,SIG:BIPOLAR,PNP;40V,200MA,250MHZ,AMP	03508	X39H3162
A4R1010	315-0301-00				RES,FXD,FILM:300 OHM,5%,0.25W	01121	CB3015
A4R1020	315-0102-00				RES,FXD,FILM:1K OHM,5%,0.25W	01121	CB1025
A4R1030	315-0101-00				RES,FXD,FILM:100 OHM,5%,0.25W	01121	CB1015
A4R1031	315-0103-00				RES,FXD,FILM:10K OHM,5%,0.25W	01121	CB1035
A4R1040	321-1249-00				RES,FXD,FILM:3.88K OHM,1%,0.125W	01121	ADVISE
A4R1041	321-0612-03				RES,FXD,FILM:500 OHM,0.25,0.125W	19701	5033RC500R0C
A4R1042	311-1921-00				RES,VAR,NONWWW:TRMR,250 OHM,10%,0.5W	02111	63S251T602
A4R1050	322-3308-00				RES,FXD,FILM:15.8K OHM,1%,0.2W	57668	CRB20 FXE 15K8
A4R1051	322-3289-00				RES,FXD:METAL FILM:10K OHM,1%,0.2W	57668	CRB20 FXE 10K0
A4R1052	315-0101-00				RES,FXD,FILM:100 OHM,5%,0.25W	01121	CB1015
A4R1053	315-0101-00				RES,FXD,FILM:100 OHM,5%,0.25W	01121	CB1015
A4R1060	322-3331-00				RES,FXD:METAL FILM:27.4K OHM,1%,0.2W	57668	CRB20 FXE 27K4
A4R1061	322-3289-00				RES,FXD:METAL FILM:10K OHM,1%,0.2W	57668	CRB20 FXE 10K0
A4R1062	322-3364-00				RES,FXD,FILM:60.4K OHM,1%,0.2W	57668	CRB20 FXE 60K4
A4R1063	322-3297-00				RES,FXD,FILM:12.1K OHM,1%,0.2W	57668	CRB20 FXE 12K1
A4R1064	322-3289-00				RES,FXD:METAL FILM:10K OHM,1%,0.2W	57668	CRB20 FXE 10K0
A4R1065	322-3364-00				RES,FXD,FILM:60.4K OHM,1%,0.2W	57668	CRB20 FXE 60K4
A4R1066	322-3297-00				RES,FXD,FILM:12.1K OHM,1%,0.2W	57668	CRB20 FXE 12K1
A4R1070	322-3289-00				RES,FXD:METAL FILM:10K OHM,1%,0.2W	57668	CRB20 FXE 10K0
A4R1071	315-0100-00				RES,FXD,FILM:10 OHM,5%,0.25W	01121	CB1005
A4R1072	315-0100-00				RES,FXD,FILM:10 OHM,5%,0.25W	01121	CB1005

Replaceable Parts List (Cont.)

Assy Number	Tektronix Part Number	Serial No. Effective	Serial No. Discont'd	Qty	Name & Description	Mfr. Code	Mfr. Part Number
A4	670-9291-XX				CKT BD ASSY:S/R DRIVER SAMPLER (Con't)		
A4R2030	315-0300-00				RES,FXD,FILM:30 OHM,5%,0.25W	01121	CB3005
A4R2031	315-0103-00				RES,FXD,FILM:10K OHM,5%,0.25W	01121	CB1035
A4R2040	315-0101-00				RES,FXD,FILM:100 OHM,5%,0.25W	01121	CB1015
A4R2041	315-0511-00				RES,FXD,FILM:510 OHM,5%,0.25W	01121	CB5115
A4R2042	315-0101-00				RES,FXD,FILM:100 OHM,5%,0.25W	01121	CB1015
A4R2043	315-0101-00				RES,FXD,FILM:100 OHM,5%,0.25W	01121	CB1015
A4R2045	315-0121-00				RES,FXD,FILM:120 OHM,5%,0.25W	01121	CB1215
A4R2046	315-0473-00				RES,FXD,FILM:47K OHM,5%,0.25W	01121	CB4735
A4R2047	315-0243-00				RES,FXD,FILM:24K OHM,5%,0.25W	01121	CB2435
A4R2048	315-0101-00				RES,FXD,FILM:100 OHM,5%,0.25W	01121	CB1015
A4R2049	315-0562-00				RES,FXD,FILM:5.6K OHM,5%,0.25W	01121	CB5625
A4R2050	315-0101-00				RES,FXD,FILM:100 OHM,5%,0.25W	01121	CB1015
A4R2051	315-0203-00				RES,FXD,FILM:20K OHM,5%,0.25W	01121	CB2035
A4R2052	315-0101-00				RES,FXD,FILM:100 OHM,5%,0.25W	01121	CB1015
A4R2053	315-0562-00				RES,FXD,FILM:5.6K OHM,5%,0.25W	01121	CB5625
A4R2054	315-0752-00				RES,FXD,FILM:7.5K OHM,5%,0.25W	01121	CB7525
A4R3020	315-0100-00				RES,FXD,FILM:10 OHM,5%,0.25W	01121	CB1005
A4R3021	322-3344-00				RES,FXD,FILM:37.4K OHM,1%,0.2W	57668	CRB20 FXE 37K4
A4R3032	317-0027-00				RES,FXD,CMPSN:2.7 OHM,5%,0.125W	01121	BB27G5
A4R3033	317-0027-00				RES,FXD,CMPSN:2.7 OHM,5%,0.125W	01121	BB27G5
A4R3040	322-3268-00				RES,FXD,FILM:6.04K OHM,1%,0.2W	57668	CRB20 FXE 6K04
A4R3050	315-0100-00				RES,FXD,FILM:10 OHM,5%,0.25W	01121	CB1005
A4R3051	315-0100-00				RES,FXD,FILM:10 OHM,5%,0.25W	01121	CB1005
A4R3061	322-3396-00				RES,FXD,FILM:130K OHM,1%,0.2W	57668	CRB20 FXE 130K
A4R3062	321-0631-03				RES,FXD,FILM:12.5K OHM,0.25%,0.125W	01121	ADVISE
A4R3070	322-3389-00				RES,FXD,FILM:110K OHM,0.25%,0.2W	56845	CCF-50-2-1103F
A4R3071	321-0645-00				RES,FXD,FILM:100K OHM,0.5%,0.125W	19701	5033RC1003D
A4R3080	321-0645-00				RES,FXD,FILM:100K OHM,0.5%,0.125W	19701	5033RC1003D
A4T1020	120-0582-00				XFMR,TOROID:2 WINDINGS,067-0572-00	OJR03	120-0582-00

## Replaceable Electrical Parts

### Replaceable Parts List (Cont.)

Assy Number	Tektronix Part Number	Serial No. Effective	Serial No. Discont'd	Qty	Name & Description	Mfr. Code	Mfr. Part Number
A4	670-9291-XX				CKT BD ASSY:S/R DRIVER SAMPLER (Con't)		
A4TP1020	214-0579-00	B010100	B037261		TERM,TEST POINT:0.052 ID,0.169 H,0.465 L	80009	214-0579-00
A4TP1021	214-0579-00	B010100	B037261		TERM,TEST POINT:0.052 ID,0.169 H,0.465 L	80009	214-0579-00
A4TP1030	214-0579-00	B010100	B037261		TERM,TEST POINT:0.052 ID,0.169 H,0.465 L	80009	214-0579-00
A4TP1060	214-0579-00	B010100	B037261		TERM,TEST POINT:0.052 ID,0.169 H,0.465 L	80009	214-0579-00
A4TP1080	214-0579-00	B010100	B037261		TERM,TEST POINT:0.052 ID,0.169 H,0.465 L	80009	214-0579-00
A4TP1081	214-0579-00	B010100	B037261		TERM,TEST POINT:0.052 ID,0.169 H,0.465 L	80009	214-0579-00
A4TP1082	214-0579-00	B010100	B037261		TERM,TEST POINT:0.052 ID,0.169 H,0.465 L	80009	214-0579-00
A4TP1083	214-0579-00	B010100	B037261		TERM,TEST POINT:0.052 ID,0.169 H,0.465 L	80009	214-0579-00
A4TP1084	214-0579-00	B010100	B037261		TERM,TEST POINT:0.052 ID,0.169 H,0.465 L	80009	214-0579-00
A4TP2060	214-0579-00	B010100	B037261		TERM,TEST POINT:0.052 ID,0.169 H,0.465 L	80009	214-0579-00
A4TP3020	214-0579-00	B010100	B037261		TERM,TEST POINT:0.052 ID,0.169 H,0.465 L	80009	214-0579-00
A4U1010	119-2369-01				HYBRID:TDR FRONT END	80009	119-2369-01
A4U1050	156-0853-00				IC,LINEAR:BIPOLAR,OP-AMP;DUAL	04713	LM358N
A4U1070	156-0853-00				IC,LINEAR:BIPOLAR,OP-AMP;DUAL	04713	LM358N
A4U2050	156-1291-00				IC,LINEAR:BIFET,OP-AMP;DUAL,LOW PWR	01295	TL062CP
A4U2070	156-1490-00				IC,LINEAR:VOLTAGE REFERENCE 2-PIN	1ES66	ICL8069CCSQ2
A4U3030	156-2761-00				IC,DIGITAL:HCMOS,MULTIVIBRATOR	04713	MC74HC221N
A4U3070	156-0853-00				IC,LINEAR:BIPOLAR,OP-AMP;DUAL	04713	LM358N

Replaceable Parts List (Cont.)

Assy Number	Tektronix Part Number	Serial No. Effective	Serial No. Discont'd	Qty	Name & Description	Mfr. Code	Mfr. Part Number
A9	670-6592-XX				CIRCUIT BD ASSY:POWER FUSE JACK OPTION 03 ONLY		
A9F9100	159-0266-00				FUSE, CANISTER:3A,125V,RADIAL LEAD	75915	273.003



## Replaceable Electrical Parts

---

### Replaceable Parts List (Cont.)

Assy Number	Tektronix Part Number	Serial No. Effective	Serial No. Discont'd	Qty	Name & Description	Mfr. Code	Mfr. Part Number
<b>WIRE ASSEMBLIES</b>							
W1010	174-0955-00				CA ASSY,RF:50 OHM COAX,4.75 L (FROM A4U1010 TO FRONT PANEL J100)	80009	174-0955-00
W2010	174-0950-00				CA ASSY,SP,ELEC:26,28 AWG,11.0L (FROM OPTION PORT W201 TO A1A1J2010)	80009	174-0950-00
W2020	174-0954-00				WIRE ASSY:POWER SUPPLY,4,28 AWG (FROM A3A1J2010 TO BANANA JACK W201)	80009	174-0954-00
W5040	174-0953-00				CA ASSY,SP,ELEC:14,26 AWG,6.125L (FROM A3A1J1030 TO A1A1J5040)	80009	174-0953-00
W6010	174-0951-00				CA ASSY,SP,ELEC:20,28 AWG,300V,RMS (FROM DISPLAY MODULE A5 AND A2A1J1020 TO A1A1J6010)	80009	174-0951-00
W9010	174-0952-00				CA ASSY,SP,ELEC:20,28 AWG,6.125 L,RIBBON (FROM A4J3040 TO A1A1J9010)	80009	174-0952-00
J101	174-0957-00	B010100	B037303		CA ASSY,PWR:2 STRAND W/CONN (FROM A3T210 TO POWER SUPPLY)	80009	174-0957-00
	198-5460-00	R010100	R020421		WIRE SET,ELEC:POWER SUPPLY MODULE	80009	198-5460-00
	198-5460-01	R020422			WIRE SET,ELEC:POWER SUPPLY MODULE	80009	198-5460-01



# Diagrams

## General Information

### Assembly Numbers

Each assembly in the instrument is assigned an assembly number (e.g., A1). The assembly number appears in the title block of the schematic diagram, in the title for the circuit board component location illustration, and in the lookup table for the schematic diagram component locator. The replaceable parts list is arranged by assemblies in numerical sequence; the components are listed by component number.

### Grid Coordinates

The schematic diagram and circuit board component location illustration have grids. A lookup table with the grid coordinates is provided for to help you locate the component.

### Electrical Parts Locator

The component locator lookup table provides an alphanumeric listing of all circuit numbers for the circuit boards in the instrument. Corresponding to each circuit number is a schematic page reference, the locator for that schematic page, and the locator for the circuit board.

The locator lists are given for each circuit board, ordered by that board's assembly number:

An example entry is as follows:

	Schematic Page	Schematic Locator	Board Locator
	↓	↓	↓
C10306	2B	D8	C1

Read: Capacitor C10306 is found on schematic 2B in grid D8. Its physical location is grid C1 on the circuit board.

A locator list and circuit board grid are also given on each circuit board illustration.

### Schematic Symbols

Graphic symbols and class designation letters are based on ANSI standards.

Logic symbology reflects the actual part function, not the logic function performed. Therefore, logic symbols should reflect manufacturer's data.

### Component Values

Electrical components shown on the diagrams are in the following units:

Resistors = Ohm ( $\Omega$ )

Capacitors = Farad (F)

Inductors = Henry (H)

All capacitors and inductors indicate their units; resistors only indicate the appropriate scale factor.

Scale factors are given by the following standard:

M	mega	$10^6$
k	kilo	$10^3$
m	milli	$10^{-3}$
u	micro ( $\mu$ )	$10^{-6}$
n	nano	$10^{-9}$
p	pico	$10^{-12}$

### Component Number

A numbering method is used to identify assemblies, subassemblies, and parts. An example of this numbering method and typical expansions is as follows:

A23A2R1234 =	A23	A2	R1234
	↓	↓	↓
	Assembly Number	Subassembly Number	Circuit Number

Read: resistor 1234 of subassembly 2 of assy 23.

Only circuit numbers appear on the schematics, circuit board illustrations, and electrical parts locator lists. Each schematic and illustration is marked with its assembly number. Assembly numbers are also marked on the mechanical exploded view located in the replaceable mechanical parts list. A component number is obtained by adding the assembly number prefix to the circuit number. The component number may then be used to reference a part in the replaceable electrical parts list.

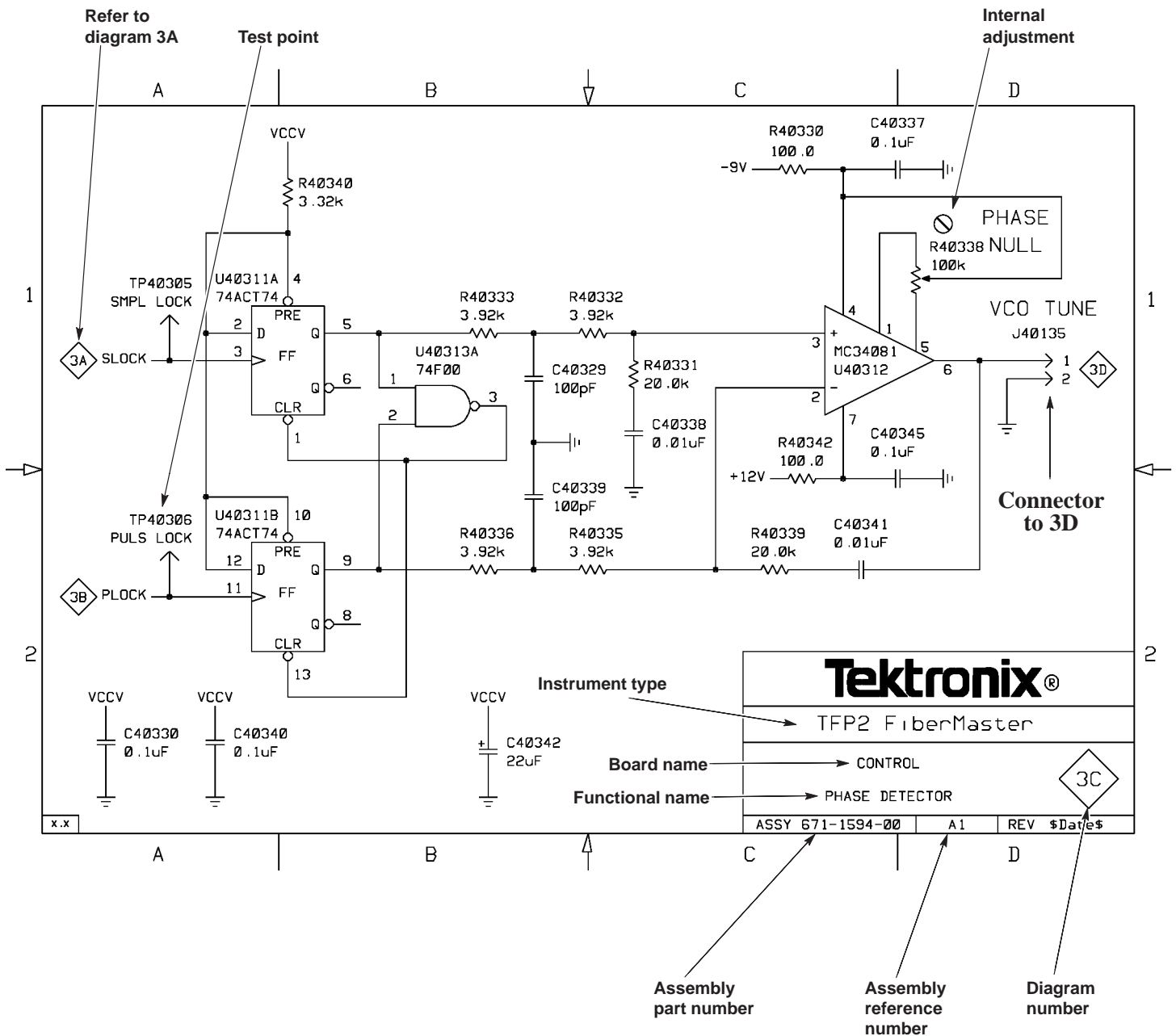


Figure 9-1: Special Schematic Symbols

**A1 – MAIN**

CIRCUIT NUMBER	SCHEM PAGE	LOCATION SCHEM	BRD	CIRCUIT NUMBER	SCHEM PAGE	LOCATION SCHEM	BRD	CIRCUIT NUMBER	SCHEM PAGE	LOCATION SCHEM	BRD
BT1010	2	G2	A1	C3020	2	B4	B3	C7030	8B	D2	C7
				C3021	8A	E4	B3	C7040	6	D2	D7
C1010	2	G4	A1	C3022	8A	E4	B3	C7041	6	G1	D7
C1011	2	A4	A1	C3023	8A	D3	B3	C7042	6	G1	D7
C1020	2	B4	B1	C3030	8B	A1	C3	C7043	1	F2	D7
C1021	2	D1	B1	C3040	8B	A2	D3	C8010	8A	F2	A8
C1022	2	E2	B1								
C1023	2	E1	B1	C3041	6	C3	D3	C8020	8A	D2	B8
				C3042	6	G2	D3	C8021	8A	C2	B8
C1024	2	F1	B1	C3043	6	B2	D3	C8022	8A	A1	B8
C1030	2	C1	C1	C3044	6	B2	D3	C8023	8B	G4	B8
C1031	2	A4	C1	C3045	6	H1	D3	C8024	8B	E2	B8
C1032	2	F1	C1	C3046	6	H1	D3	C8040	6	C2	D8
C1040	3	B4	D1								
C1041	3	B4	D1	C3047	8B	A2	D3	C9010	8A	G2	A9
				C3048	8B	A1	D3	C9011	8A	F1	A9
C1042	1	G2	D1	C4020	8B	D3	B4	C9020	8A	D1	B9
C1043	2	A4	D1	C4021	8A	E3	B4	C9021	8A	C1	B9
C2010	5	G3	A2	C4022	8A	G3	B4	C9022	8A	D2	B9
C2011	5	G2	A2	C4030	8B	B1	C4	C9023	8A	C2	B9
C2012	2	B4	A2								
C2013	4	A4	A2	C4040	8B	C2	D4	C9024	8A	C1	B9
				C4041	1	F2	D4	C9025	8B	G4	B9
C2014	4	B4	A2	C5010	8B	E3	A5	C9030	5	B1	C9
C2015	5	F3	A2	C5020	8B	D4	B5	C9031	5	C1	C9
C2016	5	F2	A2	C5021	8B	B4	B5	C9032	5	B1	C9
C2020	3	B4	B2	C5022	8B	B3	B5	C9033	5	B2	C9
C2021	7	B4	B2								
C2030	7	C4	C2	C5023	8B	F2	B5	C9034	5	B1	C9
				C5024	8B	G3	B5	C9035	5	C1	C9
C2031	7	B2	C2	C5025	8B	G3	B5				
C2032	7	C4	C2	C5030	8B	E3	C5	CR1020	2	F2	B1
C2033	7	C4	C2	C5031	8B	C1	C5	CR1021	2	F2	B1
C2034	7	D4	C2	C5032	8B	C2	C5	CR1022	2	F1	B1
C2035	7	D4	C2					CR1023	2	F1	B1
C2036	7	D4	C2	C5033	8B	B3	C5	CR3031	8B	B2	C3
				C5040	6	F2	D5	CR4030	8A	F3	C4
C2037	7	E4	C2	C5041	6	G1	D5				
C2038	7	E4	C2	C5042	6	G1	D5	CR4031	8B	A3	C4
C2039	6	B1	C2	C6030	8B	E2	C6	CR4032	8B	C2	C4
C2040	6	C3	D2	C6031	8B	B1	C6	CR5030	8B	C3	C5
C2041	6	D3	D2					CR5040	8B	B2	D5
C2042	6	B3	D2	C6032	8B	D1	C6	CR8020	8A	C2	B8
				C7010	8B	G1	A7	CR9010	8A	G2	A9
C2043	6	E4	D2	C7020	8B	G1	B7				
C2044	7	E4	D2	C7021	8B	E1	B7	J2010	1	C3	A2
C2045	7	B2	D2	C7022	8B	F2	B7	J5040 †	1	E2	D5
C2046	6	D3	D2	C7023	8B	D2	B7	J6010	1	F3	A6

† Back Side Components

## A1 – MAIN

CIRCUIT NUMBER	SCHEM PAGE	LOCATION SCHEM	BRD	CIRCUIT NUMBER	SCHEM PAGE	LOCATION SCHEM	BRD	CIRCUIT NUMBER	SCHEM PAGE	LOCATION SCHEM	BRD
J9010	1	B2	A9	R1032	2	C1	C1	R4043	6	H3	D4
L5030	8B	C2	C5	R1033	2	B2	C1	R4044	6	H3	D4
L5040	1	G2	D5	R1035	2	C1	C1	R4045	6	H3	D4
Q1010	5	F3	A1	R2010	5	F2	A2	R4046	6	H2	D4
Q1020	2	F1	B1	R2011	5	E2	A2	R4047	6	H2	D4
Q1021	2	F2	B1	R2012	5	F1	A2	R4048	1	E2	D4
Q1030	2	F1	C1	R2013	5	F2	A2	R5020	8B	A4	B5
Q1031	2	F1	C1	R2014	4	F2	A2	R5021	8B	B3	B5
Q2011	5	F2	A2	R2015	4	F3	A2	R5022	8B	B3	B5
Q2012	5	G2	A2	R2030	7	F1	C2	R5023	8B	A3	B5
Q3030	8A	E3	C3	R2031	7	D3	C2	R5024	8B	G3	B5
Q4030	8A	F3	C4	R2033	8B	C1	C2	R5025	8B	G3	B5
Q4031	8B	B2	C4	R2034	8B	B1	C2	R5026	8B	E2	B5
Q4040	8B	B2	D4	R2040	6	E4	D2	R5030	8B	E2	C5
Q5020A	8B	E2	B5	R2041	7	G3	D2	R5031	8B	D2	C5
Q5020B	8B	E2	B5	R2042	7	G2	D2	R5032	8B	D1	C5
Q5030	8B	D2	C5	R2043	7	A2	D2	R5033	8B	C2	C5
Q5031	8B	D2	C5	R3010	2	C2	A3	R5034	8B	C1	C5
Q5032A	8B	C2	C5	R3020	8A	C4	B3	R5035	8B	C2	C5
Q5032B	8B	C2	C5	R3030	8A	D3	C3	R6030	8B	D2	C6
Q6020	8B	F2	B6	R3031	8A	C3	C3	R6031	8B	C2	C6
Q7020	8B	G2	B7	R3032	8A	C3	C3	R6032	8B	C1	C6
Q7021	8B	E2	B7	R3033	8A	C3	C3	R6033	8B	D1	C6
Q7030	8B	D2	C7	R3034	8A	E3	C3	R6040	6	F4	D6
Q8020	8A	D2	B8	R3035	8A	F3	C3	R6041	6	F3	D6
Q9010	8A	E2	A9	R3036	8A	F3	C3	R6042	6	F3	D6
Q9020A	8A	C2	B9	R3037	8A	B3	C3	R6043	6	F3	D6
Q9020B	8A	D2	B9	R3038	8B	B2	C3	R6044	6	F3	D6
Q9021	8A	B1	B9	R3039	8B	B2	C3	R6045	6	F3	D6
R1010	2	G2	A1	R3040	8B	B2	D3	R6046	6	F2	D6
R1011	5	D3	A1	R3041	8B	A2	D3	R6047	6	F2	D6
R1012	5	D3	A1	R3042	8B	A1	D3	R7010	8A	G2	A7
R1013	5	E3	A1	R4020	8A	D4	B4	R7011	5	E2	A7
R1014	5	F3	A1	R4021	8A	E3	B4	R7012	8B	G1	A7
R1015	5	E3	A1	R4022	8A	C3	B4	R7013	8B	G1	A7
R1016	5	F3	A1	R4023	8A	F3	B4	R7014	8B	F2	A7
R1020	2	E2	B1	R4030	8A	G3	C4	R7015	8B	G2	A7
R1021	2	F1	B1	R4031	8B	B2	C4	R7020	8B	F2	B7
R1022	2	F1	B1	R4032	8B	B3	C4	R7021	8B	F2	B7
R1023	2	E1	B1	R4040	6	H4	D4	R7022	8B	F1	B7
				R4041	6	H3	D4	R7023	8B	E1	B7
				R4042	6	H3	D4	R7024	8B	F1	B7

† Back Side Components

**A1 – MAIN**

CIRCUIT NUMBER	SCHEM PAGE	LOCATION SCHEM	BRD	CIRCUIT NUMBER	SCHEM PAGE	LOCATION SCHEM	BRD	CIRCUIT NUMBER	SCHEM PAGE	LOCATION SCHEM	BRD
R7025	8B	E2	B7	R9023	8A	D2	B9	U1034	7	B1	C1
R7026	8B	F2	B7	R9024	8A	D2	B9	U1040A	3	B3	D1
R7027	8B	F2	B7	R9025	8A	C2	B9	U1040B	3	C3	D1
R7028	8B	F3	B7	R9026	8A	B1	B9	U1041A	3	D4	D1
R7029	8B	F1	B7	R9027	8A	B1	B9	U1041B	3	E4	D1
R7030	8B	F2	C7	R9030	5	B2	C9	U1042A	3	C4	D1
R7031	8B	E2	C7	R9031	5	B2	C9	U1042B	3	B1	D1
R7032	8B	D2	C7	R9032	5	B2	C9	U1042C	3	B3	D1
R7033	8B	D2	C7					U1043A	2	D2	D1
R7034	8B	D2	C7	TP1040	2	C1	D1	U1043B	3	E2	D1
R7040	1	F2	D7	TP1041	7	E1	D1	U1043C	2	B3	D1
R8010	8A	F2	A8	TP2040	7	B1	D2	U1043D	2	C3	D1
				TP3040	7	G3	D3				
R8011	8A	E2	A8	TP3041	7	G3	D3	U2011	4	D1	A2
R8012	8A	E2	A8	TP4020	8A	H4	B4	U2012A	4	D3	A2
R8013	8A	E2	A8					U2012B	4	D2	A2
R8014	8A	D2	A8	TP4021	8A	H3	B4	U2020	2	D3	B2
R8020	8A	D1	B8	TP4040	6	H2	D4	U2021	3	E3	B2
R8021	8A	E2	B8	TP6010	8B	F4	A6	U2022	3	G1	B2
				TP7010	8B	G2	A7				
R8022	8A	E2	B8	TP9010	8B	E3	A9	U2023A	2	C4	B2
R8023	8A	E2	B8	TP9011	8A	G2	A9	U2023B	3	G3	B2
R8024	8A	D2	B8					U2024	3	F2	B2
R8025	8A	C2	B8	TP9040	8A	B2	D9	U2025A	7	F1	B2
R8026	8A	B2	B8	TP9041	6	A2	D9	U2025B	7	G1	B2
R8027	8A	B1	B8					U2026	3	F2	B2
				U1010	2	G2	A1				
R8028	8A	B1	B8	U1011A	4	D4	A1	U2027A	7	C4	B2
R8040	6	E3	D8	U1011B	5	C3	A1	U2027B	7	A4	B2
R8041	6	E3	D8	U1012A	5	E2	A1	U2030	7	B2	C2
R8042	6	E3	D8	U1012B	5	E3	A1	U2031	7	C1	C2
R8043	6	E2	D8	U1020	2	G3	B1	U2032	7	C2	C2
R8044	6	C2	D8					U2033A	3	B2	C2
				U1021	2	E3	B1				
R8045	6	C2	D8	U1022	2	E2	B1	U2033B	7	F1	C2
R8046	6	C2	D8	U1023	2	D1	B1	U2034A	7	G1	C2
R8047	6	C2	D8	U1030	2	B1	C1	U2034B	7	E2	C2
R9010	8A	H2	A9	U1031A	2	G2	C1	U2034C	7	C3	C2
R9011	8A	H2	A9	U1031B	2	C1	C1	U2034D	7	B4	C2
R9012	8A	F2	A9					U2036	7	E2	C2
				U1031C	3	B2	C1				
R9013	8A	F1	A9	U1031D	2	C1	C1	U2037	7	E3	C2
R9014	8A	E2	A9	U1031E	2	A2	C1	U2040A	6	B3	D2
R9015	8A	E1	A9	U1031F	2	A3	C1	U2040B	5	B3	D2
R9020	8A	E1	B9	U1032A	2	B1	C1	U2040C	3	C2	D2
R9021	8A	C1	B9	U1032B	2	B2	C1	U2040D	7	E1	D2
R9022	8A	C2	B9					U2041	6	C3	D2

† Back Side Components



**A1 – MAIN**

CIRCUIT NUMBER	SCHEM PAGE	LOCATION	
		SCHEM	BRD
U2042A	7	D1	D2
U2042B	7	D1	D2
U2043	7	D3	D2
U2044	6	B1	D2
U2045A	7	G2	D2
U2045B	7	G3	D2
U2045C	7	G3	D2
U2046	6	B3	D2
U3010	2	B3	A3
U3020A	3	F4	B3
U3020B	3	F4	B3
U3020C	3	B3	B3
U3020D	3	B4	B3
U3021	8A	B3	B3
U3022	8A	B4	B3
U3023	8A	C3	B3
U3040	6	B3	D3
U3041	6	B2	D3
U3042	6	G2	D3
U4020	8B	C3	B4
U4021A	8A	D4	B4
U4021B	8A	G3	B4
U4040	6	G3	D4
U5010	8B	E4	A5
U5020	8B	B4	B5
U5040	6	E2	D5
U6040	6	E3	D6
U7010A	8A	G1	A7
U7010B	8A	D3	A7
U7040	6	D2	D7
U8010A	8A	G2	A8
U8010B	8A	F2	A8
U8010C	8A	F2	A8
U8040	6	D3	D8
U8041	6	C2	D8
U9030	5	C1	C9
VR3030	8A	B3	C3
VR6030	8B	C1	C6

† Back Side Components

**A2 – FRONT PANEL**

CIRCUIT NUMBER	SCHEM PAGE	LOCATION SCHEM	BRD	CIRCUIT NUMBER	SCHEM PAGE	LOCATION SCHEM	BRD	CIRCUIT NUMBER	SCHEM PAGE	LOCATION SCHEM	BRD
C1011	10	D1	A1	R1021	10	C1	B1	U2020A	10	B1	B2
C1015	10	B1	A1	R1022A	10	C3	B1	U2020B	10	C3	B2
C2010	10	A3	A2	R1022B	10	C4	B1	U2021	10	C1	B2
C2011	10	A3	A2	R1023	10	C2	B1	U2022A	99	F2	B2
C2020	10	C1	B2	R1024	10	B1	B1	U2022B	10	B1	B2
C2021	10	E1	B2	R1025	10	B1	B1	U2022B	99	F2	B2
C2022	10	E2	B2	R1026	10	A1	B1	U2022C	10	B2	B2
C2023	10	G4	B2	R1027	10	C3	B1	U2023	10	E3	B2
C2024	10	B1	B2	R1030	10	D2	C1	U2024	10	G1	B2
C2025	10	B3	B2	R1031	10	D2	C1	U2025	10	G2	B2
C2026	10	E4	B2	R2010	10	B2	A2	U3020A	10	B3	B3
C2027	10	B3	B2	R2020	10	F1	B2	U3020B	10	B3	B3
C2028	10	E4	B2	R2021	10	B3	B2	U3020C	10	B3	B3
C2030	10	C1	C2	R2022	10	C1	B2	U3020D	10	B3	B3
C2031	10	C3	C2	R2024A	10	A3	B2	U3021A	10	B1	B3
C2032	10	C4	C2	R2024B	10	A3	B2	U3021B	99	C2	B3
C2033	10	D3	C2	R2030	10	D4	C2	U3021C	10	B2	B3
C2034	10	D4	C2	R2031	10	E4	C2	U3021D	10	B2	B3
C3010	10	A4	A3	R2032	10	D3	C2	U3022A	10	B3	B3
C3020	10	H4	B3	R2034	10	B3	C2	U3022B	10	B3	B3
C3021	10	C1	B3	R2035	10	B3	C2	U3022C	10	B2	B3
C3022	10	C1	B3	R2036	10	C3	C2	U3022D	10	B3	B3
C3023	10	B1	B3	R2037	10	C4	C2	U3023A	10	B4	B3
C3030 †	10	D3	C3	R2038	10	D3	C2	U3023B	10	B3	B3
C3031 †	10	D3	C3	R3010	10	B4	A3	U3023C	10	B4	B3
C3032	10	C3	C3	R3011	10	B3	A3	U3023D	10	B4	B3
C3033	10	C3	C3	R3020A	10	D4	B3	U3025	10	G2	B3
C3034	10	B4	C3	R3020B	10	D4	B3	U3031	10	G3	C3
J1020 †	10	F1	C1	R3024	10	D1	B3				
J3030 †	10	H1	C3	R3031	10	E1	C3				
PS2030 †	10	F2	C2	S1010	10	A2	A1				
Q1020	10	C1	B1	S1011	10	A2	A1				
Q1030	10	D3	C1	S2010	10	A3	A2				
Q2020	10	A1	B2	S2011	10	A3	A2				
R1010	10	B2	A1	S3010	10	A4	A3				
R1011	10	D1	A1	S3012	10	C2	A3				
R1012	10	E2	A1	S3020	10	E2	B3				
R1013	10	B2	A1	S3021	10	D3	B3				
R1014	10	D1	A1	S3022	10	C4	B3				
R1020	10	D1	B1	U2010A	10	D1	A2				
				U2010B	99	D2	A2				

† Back Side Components

**A3A1 – POWER SUPPLY**

CIRCUIT NUMBER	SCHEM PAGE	LOCATION		CIRCUIT NUMBER	SCHEM PAGE	LOCATION		CIRCUIT NUMBER	SCHEM PAGE	LOCATION	
		SCHEM	BRD			SCHEM	BRD			SCHEM	BRD
C1010 †	1A	B2	A1	CR2010	1A	E3	A2	R1017	1A	D3	A1
C1011	1A	B3	A1	CR2011	1A	G2	A2	R1018	1A	C4	A1
C1012	1A	C4	A1	CR2012	1A	G2	A2	R1020	1A	B6	B1
C1013	1A	F2	A1	CR2013	1A	G2	A2	R1021	1A	B5	B1
C1014	1A	D3	A1	CR2014	1A	G2	A2	R1022	1A	B7	B1
C1015	1A	C4	A1	CR2015	1A	G2	A2	R1023	1A	B7	B1
C1016	1A	C4	A1	CR2016	1A	A5	A2	R1024	1A	C7	B1
C1030	1A	G5	C1	CR2020	1A	D7	B2	R1025	1A	C6	B1
C1031	1A	G5	C1	CR2021	1A	D6	B2	R1026	1A	E7	B1
C1032	1A	F4	C1	CR2030	1A	F6	C2	R1030	1A	G5	C1
C1033	1A	F4	C1	CR2031	1A	F6	C2	R2010	1A	F2	A2
C1034	1A	F3	C1					R2011	1A	F2	A2
C1035	1A	F4	C1	J1010	1A	B2	A1				
C1036	1A	G5	C1	J1030	1A	G4	C1	R2012	1A	G2	A2
C1037	1A	G5	C1	J2010	1A	H2	A2	R2013	1A	A6	A2
C1038	1A	F6	C1					R2014	1A	A6	A2
C2010	1A	F3	A2	L1010	1A	E3	A1	R2015	1A	B6	A2
C2011	1A	A5	A2	L2020	1A	D6	B2	R2016	1A	A5	A2
								R2017	1A	A5	A2
				Q1010	1A	E2	A1				
C2012	1A	F3	A2	Q1011	1A	F2	A1	R2018	1A	B5	A2
C2013	1A	B6	A2	Q1012	1A	E2	A1	R2020	1A	C7	B2
C2020	1A	C7	B2	Q2010	1A	B6	A2	R2021	1A	D7	B2
C2021	1A	D5	B2	Q2011	1A	B5	A2	R2022	1A	D7	B2
C2022	1A	C7	B2	Q2012	1A	B5	A2	R2023	1A	D7	B2
C2023	1A	C7	B2					R2024	1A	C7	B2
				Q2020	1A	D7	B2				
C2024	1A	E7	B2	Q2021	1A	D8	B2	R2025	1A	D7	B2
C2025	1A	E6	B2	Q2022	1A	D7	B2	R2026	1A	D8	B2
C2030	1A	E8	C2	Q2030	1A	F6	C2	R2027	1A	D7	B2
C2031	1A	G6	C2	Q2031	1A	F6	C2	R2030	1A	G6	C2
								R2031	1A	G4	C2
CR1010	1A	B2	A1	R1010	1A	B3	A1	R2032	1A	G7	C2
CR1011	1A	E3	A1	R1011	1A	B3	A1				
CR1030	1A	F4	C1	R1012	1A	B3	A1	S2010	1A	A5	A2
CR1031	1A	F5	C1	R1013	1A	C3	A1				
CR1032	1A	F5	C1	R1014	1A	D2	A1	T1030	1A	F5	C1
CR1033	1A	F5	C1	R1015	1A	B3	A1	T1031	1A	G6	C1
CR1034	1A	F3	C1	R1016	1A	B3	A1	TP1010	1A	A3	A1

† Back Side Components

**A3A1 – POWER SUPPLY**

CIRCUIT NUMBER	SCHEM PAGE	LOCATION	
		SCHEM	BRD
TP1020	1A	G2	B1
TP2010	1A	B2	A2
TP2030	1A	E6	C2
U1010	1A	C4	A1
U1011	1A	D3	A1
U1020A	1A	B6	B1
U1020B	1A	B6	B1
U1021A	1A	B7	B1
U1021B	1A	B8	B1
U1022	1A	C6	B1
U1023	1A	C7	B1
U1024B	1A	E7	B1
U2010	1A	G2	A2
U2030A	1A	E8	C2
U2030B	1A	F7	C2
U2030C	1A	F7	C2
U2030D	1A	F7	C2
U2030E	1A	F7	C2
VR1012	1A	D2	A1

† Back Side Components

## A4- S/R DRIVER SAMPLER

CIRCUIT NUMBER	SCHEM PAGE	LOCATION		CIRCUIT NUMBER	SCHEM PAGE	LOCATION		CIRCUIT NUMBER	SCHEM PAGE	LOCATION	
		SCHEM	BRD			SCHEM	BRD			SCHEM	BRD
C1010	9A	E5	A1	C3061	9A	B2	F3	R1062	9A	C5	F1
C1011	9A	E5	A1	C3062	9A	A1	F3	R1063	9A	C5	F1
C1020	9A	D2	B1	C3063	9A	C2	F3	R1064	9A	C5	F1
C1030	9A	F2	C1	C3064	9A	A1	F3	R1065	9A	D4	F1
C1040	9A	D2	D1	C3065	9A	B2	F3	R1066	9A	D5	F1
C1041	9A	B3	D1	C3070	9A	A2	G3	R1070	9A	D4	G1
C1050	9A	F7	E1	C3080	9A	B2	H3	R1071	9A	D4	G1
C1060	9A	G7	F1					R1072	9A	D5	G1
C1061	9A	F8	F1	CR1030	9A	B4	C1	R2030	9A	B4	C2
C1070	9A	D4	G1	CR1031	9A	F2	C1	R2031	9A	B4	C2
C1071	9A	D5	G1	CR1032	9A	F3	C1	R2040	9A	B3	D2
C2010	9A	E2	A2	CR1040	9A	D1	D1	R2041	9A	B4	D2
				CR2050	9A	E7	E2				
C2011	9A	E5	A2	CR2051	9A	E6	E2	R2042	9A	F6	D2
C2012	9A	E4	A2					R2043	9A	F7	D2
C2020	9A	E3	B2	CR2052	9A	E7	E2	R2045	9A	A4	D2
C2021	9A	E3	B2	CR3020	9A	B5	B3	R2046	9A	C6	D2
C2022	9A	E3	B2	CR3021	9A	C5	B3	R2047	9A	D6	D2
C2023	9A	E4	B2					R2048	9A	D6	D2
				J3040	9A	G3	D3				
C2024	9A	E4	B2					R2049	9A	D6	D2
C2025	9A	E3	B2	L2080	9A	A7	H2	R2050	9A	E7	E2
C2026	9A	E4	B2	L2081	9A	A7	H2	R2051	9A	D6	E2
C2030	9A	B4	C2					R2052	9A	D7	E2
C2031	9A	B6	C2	Q1030	9A	E2	C1	R2053	9A	E7	E2
C2040	9A	B4	D2	Q1060	9A	E6	F1	R2054	9A	E7	E2
				Q2030	9A	B4	C2				
C2041	9A	F6	D2	Q2040	9A	D6	D2	R3020	9A	B5	B3
C2042	9A	A4	D2	Q2050	9A	D6	E2	R3021	9A	B6	B3
C2050	9A	F7	E2					R3032	9A	F4	C3
C2051	9A	D6	E2	R1010	9A	E4	A1	R3033	9A	E4	C3
C2052	9A	D7	E2	R1020	9A	C4	B1	R3040	9A	B7	D3
C2053	9A	E7	E2	R1030	9A	E1	C1	R3050	9A	A1	E3
				R1031	9A	E2	C1				
C2072	9A	A2	G2	R1040	9A	D1	D1	R3051	9A	B2	E3
C2080	9A	B8	H2	R1041	9A	D2	D1	R3061	9A	A1	F3
C2081	9A	B7	H2					R3062	9A	A2	F3
C2082	9A	B8	H2	R1042	9A	D2	D1	R3070	9A	A2	G3
C2083	9A	B7	H2	R1050	9A	F7	E1	R3071	9A	B2	G3
C3010	9A	E5	A3	R1051	9A	F7	E1	R3080	9A	B1	H3
				R1052	9A	G7	E1				
C3011	9A	E5	A3	R1053	9A	F8	E1	T1020	9A	C4	B1
C3020	9A	B5	B3	R1060	9A	F6	F1				
C3030	9A	C7	C3					TP1020	9A	E5	B1
C3060	9A	A1	F3	R1061	9A	D6	F1	TP1021	9A	D4	B1

† Back Side Components

**A4 – S/R DRIVER SAMPLER**

CIRCUIT NUMBER	SCHEM PAGE	LOCATION	
		SCHEM	BRD
TP1030	9A	E2	C1
TP1060	9A	G7	F1
TP1080	9A	B2	H1
TP1081	9A	C2	H1
TP1082	9A	F2	H1
TP1083	9A	B7	H1
TP1084	9A	B7	H1
TP2060	9A	E6	F2
TP3020	9A	B5	B3
U1010	9A	E5	A1
U1050A	9A	F7	E1
U1050B	9A	D2	E1
U1070A	9A	D5	G1
U1070B	9A	C5	G1
U2050A	9A	F6	E2
U2050B	9A	F5	E2
U2070	9A	A2	G2
U3030A	9A	B5	C3
U3030B	9A	C6	C3
U3070A	9A	B2	G3
U3070B	9A	A2	G3

† Back Side Components

**A9 – POWER FUSE JACK (Option 03 - Battery Pack)**

CIRCUIT NUMBER	SCHEM LOCATION	BOARD LOCATION
F9100	D3	PWR SUPP







# Replaceable Mechanical Parts

This section contains a list of the replaceable mechanical components for the 1502B. Use this list to identify and order replacement parts.

## Parts Ordering Information

Replacement parts are available through your local Tektronix field office or representative.

Changes to Tektronix instruments are sometimes made to accommodate improved components as they become available and to give you the benefit of the latest circuit improvements. Therefore, when ordering parts, it is important to include the following information in your order.

- Part number
- Instrument type or model number
- Instrument serial number
- Instrument modification number, if applicable

If you order a part that has been replaced with a different or improved part, your local Tektronix field office or representative will contact you concerning any change in part number.

Change information, if any, is located at the rear of this manual.

## Using the Replaceable Mechanical Parts List

The tabular information in the Replaceable Mechanical Parts List is arranged for quick retrieval. Understanding the structure and features of the list will help you find all of the information you need for ordering replacement parts. The following table describes the content of each column in the parts list.

### Parts List Column Descriptions

Column	Column Name	Description
1	Figure & Index Number	Items in this section are referenced by figure and index numbers to the exploded view illustrations that follow.
2	Tektronix Part Number	Use this part number when ordering replacement parts from Tektronix.
3 and 4	Serial Number	Column three indicates the serial number at which the part was first effective. Column four indicates the serial number at which the part was discontinued. No entries indicates the part is good for all serial numbers.
5	Qty	This indicates the quantity of parts used.
6	Name & Description	An item name is separated from the description by a colon (:). Because of space limitations, an item name may sometimes appear as incomplete. Use the U.S. Federal Catalog handbook H6-1 for further item name identification.
7	Mfr. Code	This indicates the code of the actual manufacturer of the part.
8	Mfr. Part Number	This indicates the actual manufacturer's or vendor's part number.

**Abbreviations**      Abbreviations conform to American National Standard ANSI Y1.1-1972.

**Chassis Parts**      Chassis-mounted parts and cable assemblies are located at the end of the Replaceable Electrical Parts List.

**Mfr. Code to Manufacturer Cross Index**      The table titled Manufacturers Cross Index shows codes, names, and addresses of manufacturers or vendors of components listed in the parts list.

## Manufacturers Cross Index

Mfr. Code	Manufacturer	Address	City, State, Zip Code
0DWW6	MICRO PWER ELECTRONICS	7973 SW CIRRUS DRIVE,BLDG. #22	BEAVERTON, OR 97005
0JRZ2	BADGLEY MFG CO	1620 NE ARGYLE	PORTLAND, OR 97211
0JRZ5	GASKET TECHNOLOGY	478 NE 219TH AVENUE	TROUTDALE, OR 97060
0JR05	TRIQUEST CORP	3000 LEWIS AND CLARK HWY	VANCOUVER, WA 98661-2999
0J244	OBATA WORKS, TJBO LIAISON	19-030	BEAVERTON, OR
0J260	COMTEK MANUF OF OREGON	PO BOX 4200	BEAVERTON ,OR 97076-4200
0J422	PRECISION PRINTERS	PO BOX 36	CEDAR RIDGE, CA 95924
0J4Z1	TVT DIECASTING AND MFG INC	7330 SW LANDMARK LANE	PORTLAND, OR 97223
0J9P4	DELTA ENGINEERING	19500 SW TETON	TUALATIN, OR 97062
OKB01	STAUFFER SUPPLY	810 SE SHERMAN	PORTLAND, OR 97214
S3109	FELLER	72 VERONICA AVE, UNIT 4	SUMMERSER, NJ 08873
S3629	SCHURTER AG H C/O PANEL COMPONENTS CORP	2015 SECOND STREET	BERKELEY, CA 94170
00779	AMP INC	2800 FULLING MILL PO BOX 3608	HARRISBURG, PA 17105
01536	TEXTRON INC, CAMCAR DIV	1818 CHRISTINA ST	ROCKFORD, IL 61108
03038	LONG-LOK FASTENER CORP	13709 S NORMANDIE AVE	GARDENA CAS, CA 90249-2609
06540	MITE CORP AMATOM ELECTRONIC HARDWARE DIV	446 BLAKE ST	NEW HAVEN, CT 06515-1238
06915	RICHCO PLASTIC CO	5825 N TRIPP AVE	CHICAGO, IL 60646-6013
08261	SPECTRA-STRIP AN ELTRA CO	7100 LAMPSON AVE	GARDEN GROVE, CA 92642
09922	BURNDY CORP	RICHARDS AVE	NORWALK, CT 06852
12327	FREEWAY CORP	9301 ALLEN DR	CLEVELAND, OH 44125-46-32
2K262	BOYD CORP	6136 NE 87TH AVE PO BOX 20038	PORTLAND, OR 97220
2X013	MCGUIRE BEARING CO	947 SE MARKET ST	PORTLAND, OR 97214-3556
22526	DU POIT E I DE NEMOURS AND CO INC DU PONT ELECTRONICS DEPT	515 FISHING CREEK RD	NEW CUMBERLAND, PA 17070-3007
22599	AMERACE CORP,ESNA DIV	15201 BURBANK BLVD, SUITE C	VAN NUYS, CA 91411-3532
28334	3-D POLYMERS	13026 NORMANDIE AVE	GARDENA, CA 90249-2126
29870	VICTOR CORP	618 MAIN STREET	WEST WARWICK, RI 02893
5H194	AIR-OIL PRODUCTS CORP	2400 E BURNSIDE	PORTLAND, OR 97214-1752
5Y400	TRIAx METAL PRODUCTS INC	1800 216TH AVE NW	HILLSBORO, OR 97124-6629
53217	TECHNICAL WIRE PRODUCTS INC	320 N NOPAL ST	SANTA BARBARA, CA 93103-3225

**Manufacturers Cross Index (Cont.)**

<b>Mfr. Code</b>	<b>Manufacturer</b>	<b>Address</b>	<b>City, State, Zip Code</b>
53387	MINNESOTA MINING MFG CO	PO BOX 2963	AUSTIN, TX 78769-2963
53718	GRACE W R AND CO POLYFIBRON DIV/AIRMOLD	BECKER FARMS INDUSTRIAL PARK PO BOX 610	ROANOKE RAPIDS, NC 27870
7X318	KASO PLASTICS INC	11015 A NE 39TH	VANCOUVER, WA 98662
70903	COOPER BELDEN ELECTRONICS WIRE & CABLE BELDEN DIVISION	2200 US HIGHWAY 27 SOUTH PO BOX 1980	RICHMOND, IN 47375
72228	AMCA INTERNATIONAL CORP CONTINENTAL SCREW CO DIV	459 MT PLEASANT	NEW BEDFORD, MA 02742
72794	DZUS FASTENER CO INC	425 UNION BLVD	WEST ISLIP, NY 11795-3123
73743	FISCHER SPECIAL MFG CO	111 INDUSTRIAL RD	COLD SPRING, KY 41076-9749
74970	JOHNSON E F COMPANY	299 10TH AVE SW	WASECA, MN 56093-2539
78189	ILLINOIS TOOL WORKS INC SHAKEPROOF DIV	ST CHARLES ROAD	ELGIN, IL 60120
79136	WALDES KOHINOOR INC	47-16 AUSTEL PLACE	LONG ISLAND CITY, NY 11101-4402
80009	TEKTRONIX INC	14150 SW KARL BRAUN DR PO BOX 500	BEAVERTON, OR 97077-0001
83259	PARKER-HANNIFIN CORP, O-SEAL DIV	10567 JEFFERSON BLVD	CULVER CITY, CA 90232-3513
83385	MICRODOT MFG INC, GREER-CENTRAL DIV	3221 W BIG BEAVER RD	TROY, MI 48098
86445	PENN FIBRE AND SPECIALTY CO INC	4343 G ST	PHILADELPHIA, PA 19124-4325

Replaceable Mechanical Parts List

Fig. & Index Number	Tektronix Part Number	Serial No. Effective	Serial No. Discont'd	Qty	Name & Description	Mfr. Code	Mfr. Part Number
FIG. 10-1					CABINET		
	650-3676-00			1	COVER,LID ASSY:LID/COVER ASSEMBLY	7X318	650-3676-00
-1	105-0684-01			2	. LATCH ASSEMBLY:	OJ4C1	105-0684-01
-2	213-0839-00			2	. SCR,TPG,TF:4-24 X 0.5 L,FLH,POZ	80009	213-0839-00
-3	214-0787-00			1	. STEM,LATCH:ACCESS BOX	80009	214-0787-00
-4	204-0282-00			1	. BODY LATCH:ACCESS BOX,DELTRIN	80009	204-0282-00
-5	214-2389-00			2	. PIN,ACTUATOR:POWER SWITCH	80009	214-2389-00
-6	334-6861-00			1	MARKER,IDENT:MARKED 1502B	OJ4Z2	334-6861-00
-7	062-9291-00			1	CARD,INFO:QUICK REFERENCE	OJ4Z2	062-9291-00
	334-8896-00			1	MARKER,IDENT:VOLTAGE WARNING LABEL	80009	334-8896-00
	437-0337-00			1	<b>CAB.,TDR UNIT:</b>	80009	437-0337-00
-8	200-1805-00			2	. COVER,HDL LATCH:	OJR05	200-1805-00
-9	213-0739-00			2	. SCR,MACH:10-32 X 0.375,HEX HD,SSTW/NYLON	03038	213-0739-00
-10	210-1231-00			2	. WSHR,SHLDR:0.82 X 0.9 X 0.07,FBR	80009	210-1231-00
-11	386-3303-01			2	. PLATE,SECURING:HANDLE,STEEL	80009	386-3303-01
-12	107-0035-00			4	. DISC,FRICION:0.38 X 1.865 X 0.031,ASB	2K262	107-0035-00
-13	210-1501-00	B037303		4	. WSHR,FRICION:1.820 X 0.388,304SS 20GA	80009	210-1501-00
-14	334-9302-00			1	. MARKER,IDENT:MARKED TEKTRONIX	OJ4Z2	334-9302-00
-15	367-0204-01	B010100	B037302	1	. HANDLE,CARRY:11.7 L,BLK VINYL W/HDW	OJ9P4	367-0204-01
	347-0449-00	B037303		1	. HANDLE,CARRY:BLACK VINYL, 302 SST	80009	347-0449-00
-16	390-0964-00	R010100	B024999	1	. CABINET ASSY:	7X318	390-0964-00
	390-1068-00	B025000	B037105	1	. CABINET ASSY:CONDUCTIVE PLATE	7X318	390-1068-00
	390-0964-00	B037106		1	. CABINET ASSY:	7X318	390-0964-00
-17	348-0419-00			2	. . FOOT,CABINET:FRONT,BLK POLYURETHANE	7X318	348-0419-00
-18	211-0507-00			4	. . SCR,MACH:6-32 X 0.312,PNH,POZ	0KB01	211-0507-00
-19	348-0420-01			2	. . FOOT,CABINET:REAR,BLK POLYURETHANE	7X318	348-0420-01
-20	213-0451-02			4	. . SCR,EXT,RLV:10-24 X 1.75,SST,PSVT	80009	213-0451-02
-21	354-0175-00			4	. . RING,RTNG:TYPE E EXT,U/O 0.188	2X013	354-0175-00
-22	348-0444-00			4	. . SEAL,BOLT:0.186 X 0.443,0.05 THK	80009	348-0444-00
-23	386-4704-00			2	. . PLATE,REINF:3.8 X 0.434,STL	7X318	386-4704-00
-24	213-0183-00			2	. . SCR,TPG,TF:6-20 X 0.5,TYPEB,PNH,POZ	93907	ORD BY DESCR
-25	131-1705-00	R010100	B025092	1	. . CONN,RCPT,ELEC:POWER INTERCONNECT	80009	131-1705-00
	131-1705-01	B025093		1	. . CONN,RCPT,ELEC:POWER INTERCONNECT	80009	131-1705-01
-26	213-0012-00			2	. . SCR,TPG,TC:4-40 X 0.375,FLH,POZ	83385	ORD BY DESCR

Replaceable Mechanical Parts List (Cont.)

Fig. & Index Number	Tektronix Part Number	Serial No. Effective	Serial No. Discont'd	Qty	Name & Description	Mfr. Code	Mfr. Part Number
FIG. 10-1					CABINET (Con't)		
-27	337-3225-00	B025000	B036153	1	. SHIELD,ELEC:GROUND AROUND AC RCPT	80009	337-3225-00
-28	200-3210-00			1	. COVER,TUBE CAP:CLOSED,ALUMINUM	80009	200-3210-00
-29	354-0675-00	R010100	R020413	1	. O-RING:0.5 X 0.625 OD	5H194	2-014
	354-0688-00	R020414			. O-RING:0.424 X 0.625 OD X 0.093 THK	83259	2-111
-30	200-3211-00			1	. COVER,TUBE CAP:OPEN,ALUMINUM	80009	200-3211-00
-31	354-0675-00	R010100	R020413	1	. O-RING:0.5 X 0.625 OD	5H194	2-014
	354-0688-00	R020414		1	. O-RING:0.424 X 0.625 OD X 0.093 THK	83259	2-111
-32	331-0501-00			1	. WINDOW,VIEW:POLYCARB,OPTICAL GRADE	80009	331-0501-00
	200-3452-00	R010100	B024999	1	COVER,BATTERY:ALUMINUM	80009	200-3452-00
	200-3452-01	B025000		1	COVER,BATTERY:ALUMINUM	80009	200-3452-01
-33	333-3434-00	R010100	B021134	1	. PANEL FRONT:BATTERY PORT,2.72 X 3.562,AL	80009	333-3434-00
	333-3434-01	B021135		1	. PANEL FRONT:BATTERY PORT,2.72 X 3.562,AL	5Y400	333-3434-01
-34	214-1573-00			2	. THUMBSRCREW:6-32 X 0.656 X 0.312,SST	06540	6130-SS-0632
-35	210-1160-00			2	. WSHR,FLAT:0.129 X 0.25 X 0.031 TEFLON	86445	ORD BY DESCR
-36	348-0432-00	R010100	B021134	1	. GASKET:FRONT PANEL	2K262	348-0432-00
	348-1143-00	B021135	B035824	1	. GASKET,COND:ELASTOMER W/ALUMINUM	0JRZ5	348-1143-00
	348-1143-01	B035825		1	. GASKET,BATTERY:0.062 X 2.600 X 2.600	0JRZ5	348-1143-01
	334-6892-00			1	LABEL:MARKED CAUTION	0J4Z2	334-6892-00
	334-6864-02	B025330		1	MRKR,IDENT:W/VOLTAGE INFORMATION	0J4Z2	334-6864-02
<b>STANDARD ACCESSORIES</b>							
-37	161-0066-09			1	CA ASSY,PWR:3,0.75MM SQ,220V,99.0 L (OPTION A1 EUROPEAN ONLY)	S3109	86511000
-38	161-0066-10			1	CA ASSY,PWR:3,0.75MM SQ,250V,2.5 METERS (OPTION A2 UNITED KINGDOM ONLY)	S3109	BS/13-H05VVF3G0
-39	161-0066-11			1	CA ASSY,PWR:3,1.00MM SQ,250V,10AMP,2,5 (OPTION A3 AUSTRALIA ONLY)	S3109	SAA/3-OD3CCFC3
-40	161-0066-12			1	CA ASSY,PWR:3,18 AWG,250V,99.0 L (OPTION A4 NORTH AMERICA ONLY)	29870	ORD BY DESCR
-41	161-0154-00			1	CA ASSY,PWR:3,0.75mm SQ,240V,6A,2.5ML (OPTION A5 SWITZERLAND ONLY)	S3109	12-H05VVF3G 00-5
-42	161-0228-00			1	CA ASSY,PWR:3,18 AWG,98.0 L (STANDARD CABLE)	70903	FH49061
<b>ALL OF THE CABLES LISTED ARE SAFETY CONTROLLED</b>							

Replaceable Mechanical Parts List (Cont.)

Fig. & Index Number	Tektronix Part Number	Serial No. Effective	Serial No. Discont'd	Qty	Name & Description	Mfr. Code	Mfr. Part Number
FIG. 10-1					CABINET (Con't)		
	016-0814-00			1	POUCH,ACCESS:11.5 X 9.5 X 1.75 H,VINYL	0JRZ2	016-0814-00
	070-6266-XX			1	MANUAL,TECH:OPERATORS,1502B TDR	80009	070-6266-XX



Replaceable Mechanical Parts List (Cont.)

Fig. & Index Number	Tektronix Part Number	Serial No. Effective	Serial No. Discont'd	Qty	Name & Description	Mfr. Code	Mfr. Part Number
FIG. 10-2.					FRAME AND FRONT PANEL		
-1	366-2097-00			4	SHELL,KNOB:DOVE GRAY,0.060 X 0.375	OJR05	366-2097-00
-2	366-2104-00			1	KNOB:SET REF/W DOT SET FOR 90	OJR05	366-2104-00
-3	366-2098-00			2	SHELL,KNOB:DOVE GRAY W/INDEX DOT	OJR05	366-2098-00
					<b>EACH KNOB INCLUDES:</b>		
	213-0153-00			1	. SETSCREW:5-40 X 0.125,STL,HEX SKT	0KB01	ORDER BY DESCR
-4	131-4178-00			1	CONN,RCPT,ELEC:BNC,FEMALE SHORTING	91836	752-17-9
-5	650-3697-00			1	DUST COVER ASSEMBLY	5Y400	650-3697-00
-6	-----				SUBPART OF ASSEMBLY -5 ABOVE		
	-----			1	SWITCH,ROTARY (1503B/3C ONLY))		
	-----			1	SWITCH,ROTARY (SEE A2S3012)		
	-----			1	RESISTOR,VARIABLE (SEE A2R3020 REPL)		
	-----			1	SWITCH ROTARY (SEE A2S3020 REPL)		
	-----			1	SWITCH ROTARY (SEE A2S3021 REPL)		
	-----			1	SWITCH ROTARY (SEE A2S3022 REPL)		
	-----			1	SWITCH ROTARY (1503B/3C ONLY)		
	-----			1	RESISTOR,VARIABLE (SEE A2R2024 REPL)		
	-----			1	RESISTOR,VARIABLE (SEE A2R1022 REPL)		
					<b>EACH SWITCH AND VARIABLE RESISTOR INCLUDES:</b>		
-7	210-0583-00			1	. NUT,PLAIN HEX:0.25-32 X 0.312	73743	2X-20319-402
-8	210-0940-00			1	. WSHR,FLAT:0.25 X 0.375 X 0.02,STL CD PL	12327	ORD BY DESCR
					<b>EACH VARIABLE RESISTOR INCLUDES:</b>		
-9	354-0581-00			1	. O-RING:0.25 X 0.062 OD XSECT	5H194	2-010-S455-70
-10	348-1145-00	B021135	B035824	1	. SEAL,ROTARY POT:0.125 X 0.187 OD	80009	348-1145-00
	348-1145-01	B035825			. SEAL,CONT SHAFT:0.125 X 0.187 OD X 0.3 L	80009	348-1145-01
-11	366-0655-05			1	PUSH BUTTON:MENU,0.523 X 0.253	OJR05	366-0655-05
-12	366-0655-01			1	PUSH BUTTON:VIEW INPUT	OJR05	366-0655-01
-13	366-0655-02			1	PUSH BUTTON:VIEW STORE	OJR05	366-0655-02
-14	366-0655-03			1	PUSH BUTTON:VIEW DIFF	OJR05	366-0655-03
-15	366-0655-04			1	PUSH BUTTON:STORE	OJR05	366-0655-04
-16	334-6664-00	R010100	B025495	1	MARKER,IDENT:MARKED 1502B	OJ4Z2	334-6664-00
	334-6664-01	B025496		1	MARKER,IDENT:MARKED 1502B	OJ4Z2	334-6664-01

Replaceable Mechanical Parts List (Cont.)

Fig. & Index Number	Tektronix Part Number	Serial No. Effective	Serial No. Discont'd	Qty	Name & Description	Mfr. Code	Mfr. Part Number
FIG. 10-2					FRAME AND FRONT PANEL (Con't)		
-17	213-1089-00			4	SCREW,TYPE-F-6-32 X .500,FLH,POS,410 SS	80009	213-1089-00
-18	386-5307-00	R010100	B021134	1	SUBPANEL,FRONT:	0J4C1	386-5307-00
	386-5307-01	B021135	B025495	1	SUBPANEL,FRONT:	0J4C1	386-5307-01
	614-0389-01	B025496		1	FRONT PANEL ASSEMBLY	80009	614-0389-01
-19	348-0477-00	R010100	B021134	2	SEAL,RBR STRIP:0.94W X 0.062THK X 28.0L	2K262	R-10460
	348-0477-00	B021135		1	. SEAL,RBR STRIP:0.94W X 0.062THK X 28.0L	2K262	R-10460
-20	348-1116-00	B021135	B037137	1	SEAL,CONDUCTIVE:0.094 X 0.062	53217	87-90279
	348-0477-00	B037138		1	. SEAL,RBR STRIP:0.94W X 0.062THK X 28.0L	2K262	R-10460
-21	348-0976-00	R010100	B021134	1	SHLD GSKT,ELEC:2.53 X 3.255 X 0.62 SILICON	2K262	348-0976-00
	348-1144-00	B021135		1	. GASKET,COND:ELASTOMER W/AL	0JRZ5	348-1144-00
-22	348-0920-00			1	. SHLD GSKT,ELEC:PUSH BUTTON	28334	348-0920-00
-23	331-0502-00			1	. WINDOW,DSP,PORT:2.295 X 4.35 X 0.125,GLASS	80009	331-0502-00
-24	-----			1	CKT BD ASSY:FRONT PANEL (SEE A2 REPL)		
-25	211-0658-00			4	SCR,ASSEM WSHR:6-32 X 0.312,PNH,POZ	78189	S51-060545-0X
-26	-----			AR	. CONN,HDR:PCB,MALE (SEE A2 REPL)		
-27	131-0993-00			1	. . BUS CONDUCTOR:SHUNT/SHORTING,FEMALE	22526	65474-006
-28	-----			1	. CONN,HDR:PCB,MALE (SEE A2 REPL)		
-29	342-0731-00	R010331	B035824	1	INSULATOR:FISHPAPER,3.6 X 3.0	80009	342-0731-00
	342-0731-01	B035825		1	INSULATOR:FISHPAPER,3.6 X 3.0	80009	342-0731-01
-30	-----			1	DISPLAY MODULE:(SEE A5 REPL)		
-31	220-0407-00			4	NUT,SLFLKG,HEX:6-32 X 0.312 HEX	22599	22NM-62
-32	337-2193-02	R010100	B035824	2	SHIELD,ELEC:EMI,BOTTOM	0J260	337-2193-02
	337-2193-04	B035825		2	SHIELD,ELEC:EMI,BOTTOM	0J260	337-2193-04
	211-0661-00			7	SCR,ASSEM WSHR:4-40 X 0.25,PNH,POZ	01536	821-01655-024
	129-1092-00			1	SPACER,POST:0.605 L,4-40,HEX	80009	129-1092-00
	210-1307-00			1	WHSR,LOCK:0.115 ID,SPLIT	0KB01	ORD BY DESCR
	210-1002-00			1	WHSR,FLAT:0.125 X 0.25 OD X 0.022	12327	ORD BY DESCR
	334-8135-00	B035976	B037458	1	MKR,IDENT:MKD EMI SHIELD INSTRU (NOT ILLUSTRATED AT THIS TIME)	0J4Z2	334-8135-00
-33	650-3714-00			1	ON/OFF SHAFT ASSEMBLY	TK2545	650-3714-00
-34	-----			1	SHAFT ASSEMBLY INCLUDES. O-RING:0.031 X 0.93 OD		

Replaceable Mechanical Parts List (Cont.)

Fig. & Index Number	Tektronix Part Number	Serial No. Effective	Serial No. Discont'd	Qty	Name & Description	Mfr. Code	Mfr. Part Number
FIG. 10-2					FRAME AND FRONT PANEL (Con't)		
-35	220-0961-00			1	NUT BLOCK:6-32 X 0.438,AL,CHROMATE	5Y400	220-0961-00
-36	213-0004-00	R010100	R010399	1	. SETSCREW:6-32 X 0.188,HEX,CUP PT	80009	213-0004-00
	213-0966-00	R010400		1	. SETSCREW:6-32 X 0.188 HEX,W/NYLON	80009	213-0966-00
-37	354-0687-00	R010100	R010513	1	RING,RETAINER:BOWED,SFT	79136	5131-12-CD
	211-0005-00	R010514		3	SCR,MACH:4-40 X 0.125,PNH,POZ	0KB01	ORD BY DESCR
-38	210-0803-00	R010100	R020513	1	WSHR,FLAT:0.15 X 0.375 OD X 0.032	12327	ORD BY DESCR
	210-0851-00	R020514		3	WSHR,FLAT:0.119 X 0.375 OD X 0.025	12327	ORD BY DESCR
-39	105-0954-00	R010100	R020513	1	LEVER:3.25L X 0.5W X 0.05,AL	80009	105-0954-00
	105-0954-01	R020514		1	LEVER:3.25L X 0.5W X 0.05,AL	80009	105-0954-01
	210-1421-00	R010100	R020513	1	SHWR,SHLDR:0.136 X 0.375 OD X 0.24,NYLON	80009	210-1421-00
-40	384-1674-00	R010100	R020513	1	EXTENSION SHAFT:7.59 L X 0.5,AL	80009	384-1674-00
	384-1674-01	R020514		1	EXTENSION SHAFT:7.59 L X 0.5,AL	80009	384-1674-01
	211-0007-00	R010100	R020513	1	SCR,MACH:4-40 X 0.188,PNH,POZ	93907	ORD BY DESCR
	210-1092-00	R010100	R020513	1	WHSR,FLAT:0.147 X 0.312 OD X 0.028	12327	ORD BY DESCR
-41	650-3699-00			1	CHART EXTRUSION ASSEMBLY	5Y400	650-3699-00
-42	212-0001-00			2	SCR,MACH:8-32 X 0.25,PNH,POZ	80009	212-0001-00
-43	210-0008-00			2	WSHR,LOCK:#8,INTL,0.02 THK	0KB01	ORD BY DESCR
-44	210-0458-00			1	NUT,PL,ASSEM WA:8-32 X 0.344	0KB01	ORD BY DESCR
-45	-----			1	CA ASSY: (SEE W2010 WIRE ASSEMBLIES)		
	200-3497-00	R010100	B021134	1	COVER,PORT:1502B	80009	200-3497-00
	200-3737-00	B021135		1	COVER,FRONT:OPTION PORT	0J260	200-3737-00
					<b>COVER PORT INCLUDES:</b>		
-46	200-3451-00	R010100	B021134		. COVER,PORT:1502B	80009	200-3451-00
	200-3451-01	B021135			. COVER,PORT:1502B	80009	200-3451-01
-47	348-0912-00	R010100	B021134	1	. GASKET:2.41 X 3.16 X 0.062 REINF SI W/PSA	2K262	348-0912-00
	348-1118-00	B021135	B035824	1	. GASKET,COND:ELASTOMER W/AL	0JRZ5	348-1118-00
	348-1118-01	B035825		1	. GASKET:OPTION PORT COVER,0.062 THK	0JRZ5	348-1118-01
-48	105-0959-00	R010100	B025509	1	. LCH,OPT PORT COVER:STEEL,ZINC PLATE	72794	DZUSDP109SMOD
	105-0959-01	B025510		1	. LCH,OPT PORT COVER:STEEL,ZINC PLATE	72794	DZUSDP109SMOD
-49	407-3675-00	B021134		1	. FRAME:OPTION PORT COVER	0J260	407-3675-00
-50	213-0123-00	B021134		2	. SCR,TPG,TF:6-32 X 0.375,FLH100 DEG,POZ	72228	ORD BY DESCR

Replaceable Mechanical Parts List (Cont.)

Fig. & Index Number	Tektronix Part Number	Serial No. Effective	Serial No. Discont'd	Qty	Name & Description	Mfr. Code	Mfr. Part Number
FIG. 10-2					FRAME AND FRONT PANEL (Con't)		
-51	200-3123-00			1	COVER,MODULE:FRONT	80009	200-3123-00
-52	348-0974-00			2	SHLD GSKT,ELEC:FRONT COVER	2K262	348-0974-00
-53	211-0661-00			2	SCR,ASSEM WSHR:4-40 X 0.25,PNH,POZ	01536	821-01655-024
-54	-----			1	CKT BD ASSY: (SEE A4 REPL)		
-55	131-0391-00			1	. CONN,RF JACK:SMB,50 OHM (1503B/3C ONLY)	98291	051-051-0049
-56	131-3360-00			1	. CONN,HDR:PCB,MALE,SHRD/4SIDES	53387	2520-6002UB
-57	407-1694-00	B010100	B037562	1	BRACKET,RTNG:AL	5Y400	407-1694-00
-58	211-0513-00	B010100	B037562	1	SCR,MACH:6-32 X 0.625,PNH	93907	B80-00032-003
-59	210-0055-00	B010100	B037562	1	WSHR,LOCK:#6 SPLIT,0.031 THK	86928	ORD BY DESCR
-60	256-0570-00	B010100	B037562	1	DEHYDRATING AGENT:SILICA GEL	53718	X-1009
-61	129-0562-00	B010100	B037562	2	POST,RETAINER:0.892 L X 0.375 HEX,AL	80009	129-0562-00
-62	441-1683-00			1	CHASSIS,FRONT:AL	OJ260	441-1683-00
-63	211-0198-00	R010100	B020819	2	SCR,MACH:4-40 X -.438,PNH,POZ	80009	211-0198-00
	211-0661-00	B020820		2	SCR,ASSEM WSHR:4-40 X 0.25,PNH,POZ	01536	821-01655-024
	210-1307-00	R010100	B020819	2	WSHR,LOCK:0.115 ID,SPLIT	0KB01	ORD BY DESCR
-64	211-0661-00	R010100	B020819	1	SCR,ASSEM WSHR:4-40 X 0.25,PNH,POZ	01536	821-01655-024
	211-0007-00	B020820		1	SCR,MACH:4-40 X 0.188,PNH,POZ	93907	ORD BY DESCR
-65	210-1307-00	B037618		1	WSHR,LOCK:0.115 ID,SPLIT	0KB01	ORD BY DESCR
-66	351-0755-00			4	GUIDE,CKT BD:POLYCARBONATE,2.5 L	06915	TCG1-2.500-03
	-----			1	CA ASSY: (SEE WIRE ASSEMBLIES)		
-67	210-0586-00			1	NUT,PL,ASSEM W:4-40 X 0.25 (1503B/3C ONLY)	0KB01	ORD BY DESCR
-68	-----			1	POWER SUPPLY ASSY: (SEE A3 REPL)		
-69	211-0007-00			1	SCR,MACH:4-40 X 0.188,PNH,POZ	83385	ORD BY DESCR
	211-0105-00			1	SCR,MACH:4-40 X 0.188,FLH,POZ	83385	ORD BY DESCR
	211-0661-00			1	SCR,ASSEM WSHR:4-40 X 0.25,PNH,POZ	01536	821-01655-024
-70	211-0198-00			2	SCR,MACH:4-40 X 0.438,PNH,POZ	80009	211-0198-00
-71	210-0005-00			1	WSHR,LOCK:#6 EXT,0.02 THK,STL,CD PL	78189	1106-00
-72	-----			1	CKT BD ASSY: (SEE A1 REPL)		
-73	211-0661-00			9	SCR,ASSEM WSHR:4-40 X 0.25,PNH,POZ	01536	821-01655-024
-74	131-3361-00			1	. CONN,HDR:PCD,MALE,RTANG W/SHRD	53387	2526-5002UB
-75	131-3181-00			1	. CONN,HDR:PCB,MALE,RTANG W.SHRD	53387	2540-5002UB
-76	131-3359-00			1	. CONN,HDR:PCB,MALE,2 X 10	53387	2520-5002UB
-77	136-0755-00			1	. SKT,DIP:FEMALE,2 X 14	09922	DILB28P-108

**Replaceable Mechanical Parts List (Cont.)**

Fig. & Index Number	Tektronix Part Number	Serial No. Effective	Serial No. Discont'd	Qty	Name & Description	Mfr. Code	Mfr. Part Number
FIG. 10-2					FRAME AND FRONT PANEL (Con't)		
-78	131-4183-00			1	. CONN,HDR:PCB,MALE,2 X 7	53387	2514-6002UB
-79	213-0904-00			4	SCR,TPG,TR:6-32 X 0.5 PNH,TORX	93907	ORD BY DESCR
-80	441-1682-00	R010100	R020513	1	CHASSIS,MAIN:AL	80009	441-1682-00
	441-1682-01	R020514	B035824	1	CHASSIS,MAIN:AL	80009	441-1682-01
	441-1682-03	B035825		1	CHASSIS,MAIN:AL	80009	441-1682-03

Replaceable Mechanical Parts List (Cont.)

Fig. & Index Number	Tektronix Part Number	Serial No. Effective	Serial No. Discont'd	Qty	Name & Description	Mfr. Code	Mfr. Part Number
FIG. 10-3	620-0477-XX				<b>POWER SUPPLY ASSEMBLY</b>		
-1	-----			1	CKT BD ASSY:(SEE A3A1 REPL)		
-2	211-0661-00			4	SCR,ASSEM WSHR:4-40 X 0.25,PNH,POZ	01536	821-01655-024
-3	131-3445-00			1	. CONN,HDR:MALE,RTANG,2 X 7	53387	2514-5002UB
-4	131-4177-00			AR	. CONN,HDR:MALE,STR,1 X 31 W/INSUL	22562	65576-131
-5	131-1857-00			AR	. CONN,HDR:MALE,STR,1 X 36	58050	082-3644-SS10
	-----			1	. XSTR: (SEE A3A1Q2022 REPL)		
-6	211-0507-00			1	. SCR,MACH:6-32 X 0.312,PNH,POZ	0KB01	211-0507-00
-7	210-0561-00			1	. NUT,PL,HEEX:6-32 X 0.188	0KB01	210-0561-00
	-----			1	. IC: (SEE A3A1U2010 REPL)		
-8	211-0507-00			1	. SCR,MACH:6-32 X 0.312,PNH,POZ	0KB01	211-0507-00
-9	210-0561-00			1	. NUT,PL,HEEX:6-32 X 0.188	0KB01	210-0561-00
	253-0188-00			1	. TAPE,PRESS SENS:URETHANE FOAM	80009	253-0188-00
	162-0503-00	R010141		AR	. INSUL SLVG,ELEC:0.042 ID/ACRYLIC/FBRGLASS	91094	ORD BY DESCR
-10	220-0547-01			4	NUT BLOCK:4-40 X 0.282	80009	220-0547-01
-11	211-0105-00			4	SCR,MACH:4-40 X 0.188,FLH,POZ	80009	211-0105-00
-12	441-1685-00			1	CHASSIS,PWR SUPPLY:SIDE	80009	441-1685-00
-13	211-0105-00			3	SCR,MACH:4-40 X 0.188,FLH,POZ	80009	211-0105-00
					<b>CHASSIS MOUNTED PARTS</b>		
-14	-----			1	XFMR: (SEE A3T201 REPL)		
-15	212-0112-00			2	SCR,MACH:8-32 X 0.188,TRH,SST,POZ	0KB01	ORD BY DESCR
-16	210-0007-00			2	WSHR,LOCK:#8 EXT,0.02 THK	0KB01	ORD BY DESCR
-17	-----			1	SWITCH,ROTARY: (SEEA3S201 REPL)		
-18	204-0832-00			1	BODY,FUSEHLDR:3AG & 5 X 20MM FUSES	S3629	031 1673
-19	200-2264-00			1	CAP,FUSEHLDR:3AG FUSES,SFTY CONTROL	S3629	FEK 031 1666
-20	-----			1	FILTER,RF: (SEE A3FL1 REPL)		
-21	211-0101-00			2	SCR,MACH:4-40 X 0.25,FLH,100 DEG,POZ	93907	ORD BY DESCR
-22	210-0202-00			1	TERMINAL,LUG:0.146 ID,LOCKING	86928	A-373-158-2

Replaceable Mechanical Parts List (Cont.)

Fig. & Index Number	Tektronix Part Number	Serial No. Effective	Serial No. Discont'd	Qty	Name & Description	Mfr. Code	Mfr. Part Number
FIG. 10-3	620-0477-XX				POWER SUPPLY ASSEMBLY (Con't)		
					CHASSIS MOUNTED PARTS (Con't)		
-23	211-0658-00			1	SCR,ASSEM,WA:6-32 X 0.312,PNH,POZ	78189	S51-060545-0X
-24	134-0014-00			2	PLUG,TIP:BANANA,1.125 X 0.375 L STUD	74970	108-0750-001
-25	210-0202-00			2	TERMINAL,LUG:0.146 ID,LOCKING	86928	A-373-158-2
-26	210-0975-00			2	WSHR,SHLDR:0.14 X 0.375 OD X 0.1,DELRUN	80009	210-0975-00
-27	210-0457-00			2	NUT,PL,ASSEM WA:6-32 X 0.312	OKB01	ORD BY DESCR
-28	210-0803-00			1	WSHR,FLAT:0.15 X 0.375 OD X 0.032	12327	ORD BY DESCR
-29	210-0933-00			1	INSULATOR,WSHR:0.165 C 0.625 OD X 0.002	OKB01	210-0933-00
-30	441-1684-00	R010100	B021134	1	CHASSIS,PWR SUPPLY:	80009	441-1684-00
	441-1684-01	B021135		1	CHASSIS,PWR SUPPLY:	80009	441-1684-01
	334-3379-01			1	MARKER,IDENT:MKD GROUND SYMBOL	22670	ORD BY DESCR

Replaceable Mechanical Parts List (Cont.)

Fig. & Index Number	Tektronix Part Number	Serial No. Effective	Serial No. Discont'd	Qty	Name & Description	Mfr. Code	Mfr. Part Number
FIG. 10-4					BATTERY PACK OPTION 03		
	016-0813-00	R010100	B021134	1	BTRY ASSY,STORE:1.2V,2000MAH/0.2C	80009	016-0813-00
	016-0813-01	B021135		1	BTRY ASSY,STORE:1.2V,2000MAH/0.2C,C CELL(9)	0DWW6	016-0813-01
-1	214-1573-00			2	. THUMBSCREW:6-32 X 0.656,0.312,SST	06540	6130-SS-0632
-2	210-1160-00			2	. WSHR,FLAT:0.129ID X 0.25OD X 0.031,TEFLON	86928	5612-32-31
-3	333-1990-00	R010100	B021134	1	. PANEL,FRONT:UNFINISHED	80009	333-1990-00
	333-1990-02	B021135		1	. PANEL,FRONT:BATTERY SET	0J9P4	333-1990-02
-4	334-6867-00			1	. LABEL:MARKED BATTERY STORAGE TEMP	0J4Z2	334-6867-00
-5	211-0198-00			4	. SCR,MACH:4-40 X 0.438,PNH,POZ	80009	211-0198-00
-6	213-0267-00			2	. SCR,TPG,TC:4-24 X 0.375 PAN HD,POZ	0KB01	ORD BY DESCR
-7	348-0432-00	R010100	B021134	1	. GASKET:FRONT PANEL	2K262	348-0432-00
	348-1143-00	B021135	B035824	1	. GASKET,COND:ELASTOMER W/AL	0JRZ5	348-1143-00
	348-1143-01	B035825		1	. GASKET,BATTERY:0.062 THK X 2.600 X 2.600	0JRZ5	348-1143-01
-8	337-2762-00			1	. SHIELD,FUSE:AL	0J9P4	337-2762-00
-9	211-0008-00			4	. SCR,MACH:4-40 X 0.25,PNH,POZ	93907	ORD BY DESCR
-10	343-0349-01			2	. CLAMP,BATTERY RTNG:W/HOLES,DELIRIN	0J260	343-0349-01
-11	210-0406-00			4	. NUT,PLAIN,HEX:4-40 X 0.188	73743	12161-50
-12	211-0194-00			4	. SCR,MACH:4-40 X 47.5MM,PNH,POZ	0KB01	ORD BY DESCR
-13	210-0054-00			4	. WSHR,LOCK:#4 SPLIT,0.025 THK	86928	ORD BY DESCR
-14	361-0776-00			4	. SPACER,SLEEVE:1.248 L X 0.118 ID,NYLON	80009	361-0776-00
-15	214-2344-00			1	. HEAT SINK,ELEC:BATTERY SPLY,LOWER,AL	0J9P4	214-2344-00
-16	-----			1	. CKT BD ASSY: (SEE A9 REPL)		
-17	136-0352-00			2	. . SOCKET,PIN TERM:U/W 0.02 DIA PINS	00779	50462-7
-18	386-2435-00			2	. PLATE,METALLIC:W/TAPS	0J244	386-2435-00
-19	146-0065-00			1	. BATTERY,DRY:(9) 1.4V,200MA,NICAD	0DWW6	146-0065-00
-20	214-2343-00			1	. HEAT SINK,ELEC:BATTERY SPLY,UPPER,AL	0J9P4	214-2343-00
-21	-----			1	. FUSE,THERMAL: (SEE A9F9100 REPL)		



## Replaceable Mechanical Parts

---

### Replaceable Mechanical Parts List (Cont.)

---

Fig. & Index Number	Tektronix Part Number	Serial No. Effective	Serial No. Discont'd	Qty	Name & Description	Mfr. Code	Mfr. Part Number
---------------------------	--------------------------	-------------------------	-------------------------	-----	--------------------	--------------	------------------

---

# Glossary

**Aberrations** Imperfections or variations from a desired signal. In TDRs, a pulse of electrical energy is sent out over the cable. As the pulse-generating circuitry is turned on and off, the pulse is often distorted slightly and no longer is a perfect step or sine-shaped waveform.

**AC** Alternating current is a method of delivering electrical energy by periodically changing the direction of the flow of electrons in the circuit or cable. Even electrical signals designed to deliver direct current (DC) usually fluctuate enough to have an AC component.

**Accuracy** The difference between a measured, generated, or displayed value and the true value.

**Cable** Electrical conductors that are usually insulated and often shielded. Most cables are made of metal and are designed to deliver electrical energy from a source (such as a radio transmitter) across a distance to a load (such as an antenna) with minimal energy loss. Most cables consist of two conductors, one to deliver the electrical signal and another to act as a return path, which keeps both ends of the circuit at nearly the same electrical potential. In early electrical systems and modern systems that over long distances use the earth and/or air as the return path, and the term “ground” or “ground wire” is often used to describe one of the wires in a cable pair.

**Cable Attenuation** The amount of signal that is absorbed in the cable as the signal propagates down it. Cable attenuation is typically low at low frequencies and higher at high frequencies and should be corrected for in some TDR measurements. Cable attenuation is usually expressed in decibels at one or several frequencies. See also: dB and Series Loss.

**Cable Fault** Any condition that makes the cable less efficient at delivering electrical energy than it was designed to be. Water leaking through the insulation, poorly mated connectors, and bad splices are typical types cable faults.

**Capacitance** (see Reactance)

**Characteristic Impedance** Cables are designed to match the source and load for the electrical energy that they carry. The designed impedance is often called the characteristic impedance of the cable. The arrangement of the conductors with respect to each other is the major factor in designing the impedance of cables.

<b>Conductor</b>	Any substance that will readily allow electricity to flow through it. Good conductors are metals such as silver, copper, gold, aluminum, and zinc (in that order).
<b>dB</b>	dB is an abbreviation for decibel. Decibels are a method of expressing power or voltage ratios. The decibel scale is logarithmic. It is often used to express the efficiency of power distribution systems when the ratio consists of the energy put into the system divided by the energy delivered (or is some cases, lost) by the system. Our instrument measures return loss. The formula for decibels is: $dB = 20 \log (V_i/V_r)$ where $V_i$ is the voltage of the incident pulse, $V_r$ is the voltage reflected back by the load, and $\log$ is the decimal-based logarithmic function. The dB vertical scale on our instrument refers to the amount of voltage gain (amplification) the instrument applies to the signal before displaying it. For example, when the instrument is amplifying the voltage by one hundred, the dB scale would read 40 dB, which is $20 \log 100$ .
<b>DC</b>	Direct current is a method of delivering electrical energy by maintaining a constant flow of electrons in one direction. Even circuits designed to generate only AC often have a DC component.
<b>Dielectric</b>	(see Insulation)
<b>Domain</b>	A mathematical term that refers to the set of numbers that can be put into a function (the set of numbers that comes out of the function is called the “range”). A time-domain instrument performs its function by measuring time.
<b>Impedance</b>	The total opposition to the flow of electrical energy in a cable or circuit. Impedance is made partly of resistance (frequency independent) and partly of reactance (frequency dependent). Although impedance is expressed in units of Ohms, it must not be confused with the simple resistance that only applies to DC signals. Technically, impedance is a function of the frequency of the electrical signal, so it should be specified at a frequency. As a practical matter, the impedance of most cables changes very little over the range of frequencies they are designed for.
<b>Impedance Mismatch</b>	A point in a cable or system where the incident electrical energy is redistributed into absorbed, reflected, and/or transmitted electrical energy. The transmitted electrical energy after the mismatch is less than the incident electrical energy.
<b>Incident Pulse</b>	The pulse of electrical energy sent out by the TDR. The waveform shown by the TDR consists of this pulse and the reflections of it coming back from the cable or circuit being tested.
<b>Inductance</b>	(see Reactance)

- Insulation** A protective coating on an electrical conductor that will not readily allow electrical energy to flow away from the conductive part of the cable or circuit. Insulation is also called dielectric. The kind of dielectric used in a cable determines how fast electricity can travel through the cable (see Velocity of Propagation).
- Jitter** The short term error or uncertainty in the clock (timebase) of a TDR. If the timing from sample to sample is not exact, the waveform will appear to move back and forth rapidly.
- LCD** An acronym for Liquid Crystal Display. It is the kind of display used on this instrument, so the terms display and LCD are often used interchangeably.
- Millirho** rho ( $\rho$ ) is the reflection coefficient of a cable or power delivery system. It is the ratio of the voltage reflected back from the cable or circuit due to cable faults or an impedance mismatch at the load, divided by the voltage applied to the cable. Millirho are thousandths of one rho. Rho measurements are often used to judge how well the cable is matched to the load at the other end of the cable. If there is an open circuit in the cable, nearly all the energy will be reflected back when a pulse is sent down the cable. The reflected voltage will equal the incident pulse voltage and rho will be +1. If there is a short circuit in the cable, nearly all the energy will be delivered back to the instrument through the ground or return conductor instead of being sent to the load. The polarity of the reflected pulse will be the opposite of the incident pulse and rho will be -1. If there is no mismatch between the cable and the load, almost no energy will be reflected back and rho will be 0. In general, a load or fault with higher impedance than the cable will return a rho measurement of 0 to +1, and a load or fault with a lower impedance will return a rho measurement of 0 to -1. The scale for rho measurements is determined by the height of the incident pulse. A pulse two divisions high means that each division is 0.5 rho (500 millirho). A pulse set to be four divisions high would make each division 0.25 rho (250 millirho).
- Noise** Any unwanted electrical energy that interferes with a signal or measurement. Most noise is random with respect to the signals sent by the TDR to make a measurement and will appear on the waveform, constantly constantly moving up and down on the display. The NOISE FILTER control sets how many waveforms will be averaged together to make the waveform displayed. Noisy waveforms appear to fluctuate around the real signal. Because it is random, noise will sometimes add to the real signal and sometimes subtract energy from the real signal. By adding several noisy waveforms together, the noise can be “averaged” out of the signal because the average amount of noise adding to the signal will be nearly the same as the average amount of noise subtracting from the signal. More waveforms in an average are more likely to approach the real signal (although it takes longer to acquire and add together more waveforms).

<b>Open Circuit</b>	In a cable, a broken conductor will not allow electrical energy to flow through it. These circuits are also called broken circuits. The circuit is open to the air (which looks like a very high impedance).
<b>Precision</b>	The statistical spread or variation in a value repeatedly measured, generated, or displayed under constant conditions. Also called repeatability.
<b>Reactance</b>	A conductor's opposition to the flow of AC electrical energy through it. All conductors have some reactance. Reactance is made up of capacitance and inductance. Capacitance is the ability of conductors separated by thin layers of insulation (dielectric) to store energy between them. Inductance is the ability of a conductor to produce induced voltage when the electrical current through it varies. All conductors have some capacitance and inductance, so all conductors have some reactance, which means they all have impedance.
<b>Reflectometer</b>	An instrument that uses reflections to make measurements. Our reflectometers use electrical energy that is reflected back from points along a cable.
<b>Resistance</b>	A conductor's opposition to the flow of DC electrical energy through it. All conductors have a certain amount of resistance. Resistance is the low (or zero) frequency part of impedance.
<b>Resolution</b>	For a given parameter, the smallest increment or change in value that can be measured, generated, or displayed.
<b>Return Loss</b>	The amount of energy reflected or returned from a cable indicates how much the impedance in the system is mismatched. The ratio of the energy sent out by the TDR, divided by the energy reflected back, expressed in the logarithmic dB scale, is called return loss.
<b>Rho (<math>\rho</math>)</b>	(see Millirho)
<b>Risetime</b>	The time it takes a pulse signal to go from 10% to 90% of the change in voltage.
<b>RMS</b>	An acronym for Root Mean Squared. RMS is a way of measuring how much deviation there is from a known (or desired) waveform. It is also the method used to calculate how much power is contained in an AC waveform.
<b>Sampling Efficiency</b>	Our instruments make measurements by taking a succession of samples in time and displaying them as a waveform with voltage on the vertical scale (up and down) and

time along the horizontal scale (across the display). The circuitry that captures and holds the samples cannot instantly change from one voltage level to another. It might take the circuit several samples to settle in at the new voltage after a rapid change in the waveform. How efficiently the circuit moves from one sampled voltage level to the next is called sampling efficiency. If the efficiency is too low, the waveforms will be smoothed or rounded. If the efficiency is too high (above 100%), the circuit will actually move beyond the new voltage level in a phenomenon known as overshoot, which becomes an unwanted source of noise in the waveform.

**Series Loss** Conductors all have some DC resistance to the flow of electrical energy through them. The amount of resistance per unit length is usually nearly constant for a cable. The energy lost overcoming this series resistance is called series loss. The series loss must be compensated for when measuring the return loss or impedance mismatch at the far end of long cables.

**Short Circuit** In a cable, a short circuit is a place where the signal conductor comes into electrical contact with the return path or ground conductor. The electrical circuit is actually shorter than was intended. Short circuits are caused by worn, leaky, or missing insulation.

**Stability** The change in accuracy of a standard or item of test equipment over an extended period of time. Unless otherwise specified, the period of time is assumed to be the calibration interval (might also apply to range, resolution, or precision as a function of time). The term stability might also be used to denote changes resulting from environmental influences, such as temperature, humidity, vibration, and shock.

**TDR** An acronym for Time-Domain Reflectometer. These instruments are also called cable radar. They send out pulses of energy and time the interval to reflections. If the velocity of the energy through the cable is known, distances to faults in the cable can be displayed or computed. Conversely, the speed that the energy travels through a cable of known length can also be computed. The way in which the energy is reflected and the amount of the energy reflected indicate the condition of the cable.

**Velocity of Propagation (Vp)** Electrical energy travels at the same speed as light in a vacuum. It travels slower than that everywhere else. The speed that it travels in a cable is often expressed as the relative velocity of propagation. This value is just a ration of the speed in the cable to the speed of light (so it is always a number between 0 and 1). A velocity of propagation value of 0.50 indicates that the electrical energy moves through the cable at half the speed of light.

**Waveform Averaging** (see Noise)



# Index

## A

AC (see Power), ix  
Accessories, 4–2  
    Optional, 4–3  
    Standard, 4–2  
accessories, standard, 4–2  
Altitude Spec, 3–3

## B

Battery (see Power)  
Battery Pack Spec, 3–2  
BNC Connector, 4–2

## C

### Cable

Open, 1–13  
Short, 1–13  
Test Procedure, 1–12  
    Distance to Fault, 1–12  
    Horizontal Set Reference, 1–21  
    Reflection Coefficient, 1–14  
    Return Loss, 1–15  
    Store Waveform, 1–18  
    Vertical Set Reference, 1–23  
    View Difference, 1–19  
    View Input, 1–17  
    View Store, 1–18

### Calibration

Adjustment Procedure, 6–24  
Case/Shield Removal, 6–25  
Equipment Required, 6–24  
LCD, 6–35  
Metric Instruments, 6–24  
Power Supply, 6–25  
    Charging Current, 6–33  
    DC Power, 6–30  
    Main Board 12 V, 6–29  
    Power-Up, 6–25  
    Range Check, 6–28  
    Voltage Checks, 6–26  
Timebase Compensation, 6–24  
Visual Inspection, 6–25  
Zero Offset, 6–38

### General, 6–1

### Performance Check, 6–1

Battery Pack, 6–23  
Chart Recorder, 6–23  
Display Module, 6–2  
    EL Backlight, 6–3  
    LCD, 6–2  
Equipment Required, 6–1  
Front Panel, 6–4  
    Menu Access, 6–4  
    Presets, 6–4  
    Pushbutton Switches, 6–5  
    Rotating Controls, 6–5

    Thermistor, 6–7  
    Getting Ready, 6–1  
    Horizontal Scale, 6–7  
    Impedance, 6–34  
    Jitter, 6–21  
    Metric Default, 6–23  
    Metric Instruments, 6–1  
    Noise, 6–13  
    Offset, 6–12  
    Offset/Gain, 6–16  
    Pulse Balance, 6–17  
    RAM/ROM, 6–16  
    Risetime, 6–19  
    Sampling Efficiency, 6–15  
    Timebase, 6–7  
    Vertical Position, 6–12  
    Zero Offset, 6–10

### Characteristics

Electrical, 3–1  
Environmental, 3–3  
Physical, 3–4

### Checks (see Performance Checks)

### Circuit Description

#### Display Module

Block Diagram, 5–29  
Column Driver, 5–33  
    Block Diagram, 5–32  
    Timing Diagram, 5–35  
Column Driver Interface, 5–38  
Column Drivers, 5–31  
Controller, 5–37  
CPU and Display Memory Timing Diagram, 5–39  
CPU Interface, 5–38  
EL Backlight, 5–40  
General, 5–29  
ITO Heater, 5–41  
LCD Cell, 5–30  
Memory, 5–37  
Memory Interface, 5–38  
Row Driver, 5–32  
    Block Diagram, 5–31  
    Timing Diagram, 5–34  
Row Driver Interface, 5–37  
Row Drivers, 5–31  
    Supply Voltages, 5–33  
SBE Cell, 5–31  
Shift Register, 5–37

#### Driver/Sampler, 5–23

Bridge Bias, 5–24  
General, 5–23  
Power Supply Conditioner, 5–24  
Second Sampler, 5–23  
Trigger Pulse Shapers, 5–24

### Elapsed Time Indicator, 5–22

### Front Panel

Analog-to-Digital Converter, 5–27



- Block Diagram, 5–26
- Display Heater, 5–28
- Display Temperature Compensation, 5–28
- EL Backlight, 5–28
- General, 5–25
- Push Button Switches and Latches, 5–25
- Resistive Shaft Encoders, 5–27
- Rotary Binary Switches, 5–27
- Switch Multiplexers, 5–27
- Front-End, 5–23
- Introduction, 5–1
- Option Port Interface
  - Block Diagram, 5–11, 5–13
  - Buffers, 5–12
  - General, 5–10
  - Output Latch, 5–12
  - Supply Control, 5–11
  - Wiring Configuration, 5–12
- Power Supply
  - Battery Charger, 5–6
  - Block Diagram, 5–4
  - DC-to-DC Converter, 5–7
  - Deep Discharge Protection, 5–6
  - General, 5–4
  - Post-Regulator, 5–7
  - Pre-Regulator, 5–6
  - Primary Circuit, 5–5
- Processor, Block Diagram, 5–8
- Processor System
  - Address Decoding, 5–9
  - Decoding, 5–10
  - Display RAM Space, 5–9
  - Enable and Select Signal space, 5–9
  - EPROM, 5–9
  - General, 5–7
  - Interrupt Logic, 5–10
  - Memory, 5–9
  - Microprocessor, 5–8
  - Non-volatile RAM Space, 5–9
  - Program Memory, 5–9
  - RAM, 5–9
- Pulse Generator/Sampler, Block Diagram, 5–24
- System Block Diagram, 5–2
- Timebase
  - Analog, 5–20
  - Block Diagram, 5–16
  - Calibration of Delay Diagram, 5–19
  - Control Diagram, 5–17
  - Digital, 5–20
  - General, 5–15
  - Time Delay Diagram, 5–18
- Video Processor
  - General, 5–13
  - Output Scope Waveform, 5–15
  - Summing Amplifier, 5–14
  - Vertical Position DAC, 5–14
  - Video ADC, 5–15
  - Video Amplifier, 5–14
- Waveform Accumulation Diagram, 5–3
- Connectors
  - BNC – BNC, 4–3

- BNC to Alligator, 4–3
- BNC to Banana, 4–3
- BNC to Binding Post, 4–3
- BNC to F Type, 4–3
- BNC to GR, 4–3
- BNC to Hook Tips, 4–3
- BNC to N Type, 4–3
- BNC to UHF, 4–3
- Controls
  - Cable Connector, 1–5
  - Distance / Division, 1–6
  - Front Panel, 1–4, 1–5
  - Horizontal Position, 1–6
  - Menu Button, 1–6
  - Noise Filter, 1–5
  - Power, 1–6
  - Store Button, 1–7
  - Velocity of Propagation, 1–6
  - Vertical Position, 1–6
  - Vertical Scale, 1–6
  - View Difference Button, 1–6
  - View Input Button, 1–6
  - View Store Button, 1–6

## D

- Depth Spec, 3–4
- Diagrams
  - Component Locator
    - Driver/Sampler Board, 9–30
    - Front Panel Board, 9–25
    - Main Board, 9–15
    - Power Supply Board, 9–28
  - Exploded Views
    - Assemblies, 10–18
    - Battery Pack, 10–20
    - Cabinet, 10–17
    - Frame, 10–18
    - Front Panel Controls, 10–18
    - Power Supply, 10–19
  - General Information, 9–1
    - Assembly Numbers, 9–1
    - Comp Numbers, 9–2
    - Comp Values, 9–2
    - Grid Coordinates, 9–1
    - Parts Locator, 9–1
    - Symbols, 9–1
  - Parts Locator
    - Front Panel Board, 9–8
    - Main Board, 9–4
    - Power Fuse Jack, 9–13
    - Power Supply, 9–9
    - Driver/Sampler Board, 9–11
  - Schematics
    - Driver/Sampler Board, 9–31
    - Front Panel Board
      - Pots/EL Lamp, 9–27
      - Switches, 9–26

- Main Board
  - Address Decode, 9–16
  - Analog Timebase, 9–23 - 9–24
  - Connectors, 9–16
  - Digital Timebase, 9–22
  - Miscellaneous Analog, 9–20
  - Option Port Interface, 9–19
  - Processor, 9–17
  - Video Processor, 9–21
  - Power Fuse Jack, 9–32
  - Power Supply Board, 9–29
- Schematic Symbols, 9–3
- E**
- Electromagnetic Spec, 3–4
- F**
- Features (see Menu)
- Fungus Spec, 3–3
- Fuse, 4–2
- Fuse (see Power)
- H**
- Handling, 1–1
- Height Spec, 3–4
- Horizontal Set Reference, 1–21
- Humidity Spec, 3–3
- I**
- Indicators, 1–5
- Inspection, xiv
- L**
- Loss, 1–16
- M**
- Maintenance
  - Assembly/Disassembly (see Removal/Replacement)
  - Equipment Required, 7–1
  - General, 7–1
  - Metric Default, 7–13
  - Part Removal / Replacement, 7–2
    - AC Fuse, 7–2
    - Battery, DC Banana Plugs, 7–7
    - Case Cover Installation, 7–22
    - Control Panel, Watertight Seals, 7–20
    - Desiccant Cartridge
      - Checking, 7–3
      - Rejuvenating, 7–4
    - Display Module, Removal, 7–11
    - Driver/Sampler Board, Removal, 7–11
    - EMI Shield Installation, 7–21
    - Front Panel Assembly, Removal, 7–11
    - Front Panel Board
      - Removal, 7–11
      - Removal from Display Module, 7–12
    - Fuse Holder, Removal, 7–7
  - Main Board
    - Elapsed Time Indicator, 7–9
    - EPROM Replacement, 7–10
    - Lithium Battery, 7–10
      - Removing, 7–8
    - Option Port Assembly, Removal, 7–14
    - Power Cord, Conductor Color Code, 7–7
    - Power Cord Receptacle, Removal, 7–6
    - Power Supply Board, Removal, 7–6
    - Power Supply Module, Removal, 7–5
    - Power Transformer, Removal, 7–6
    - Remove Case, 7–3
    - Remove EMI Shields, 7–3
    - Sealing Materials, 7–20
    - Voltage Selector, Removal, 7–7
  - Preventive, 7–1
    - Cleaning, 7–1
    - Lubrication, 7–2
    - Recalibration, 7–2
    - Visual Inspection, 7–2
  - Troubleshooting, 7–14
    - Flow Chart, 7–14
    - Waveforms, 7–15
    - When All Else Fails, 7–20
  - Manual Changes, xiii
  - Maximum Hold, 1–25
  - Menu, 1–7, 1–25
    - Cables, 1–7
    - Diagnostics, 1–8
      - Chart Recorder, 1–9
      - Head Alignment, 1–9
      - LCD Chart, 1–9
    - Front Panel, 1–8
    - LCD, 1–9
      - Alignment, 1–9
      - Contrast, 1–9
      - Drive Test, 1–9
      - Response Time, 1–9
    - Service, 1–8
      - Noise, 1–8
      - Offset / Gain, 1–8
      - RAM / ROM, 1–8
      - Sampling Efficiency, 1–8
      - Timebase, 1–8
  - Display Contrast, 1–10
  - Impedance, 1–7
  - Main, 1–7
  - Maximum Hold, 1–25
  - Option Port, 1–9
    - Debugging, 1–9
    - Diagnostic, 1–9
    - Timing, 1–9
  - Pulse, 1–26
  - Setup, 1–7
    - Acquisition Control, 1–7
    - Backlight, 1–8
    - Distance / Division, 1–8
    - Maximum Hold, 1–7
    - Pulse, 1–7

- Single Sweep, 1–7
- Vertical Scale, 1–8
- Single Sweep, 1–27
- Velocity of Propagation, 1–7
- View Stored Waveform, 1–9

## N

- Noise (see also Controls), 1–5

## O

- Ohms-at-Cursor, 1–17
- Open, 1–13
- Option Port Cover, 4–2
- Options, xiii, 4–1
  - Battery Pack (03), 4–1
  - Chart Recorder (04), 4–1
  - Chart Recorder (07), 4–2
  - Metric Default (05), 4–1
  - Power Cords, 4–2

## P

- Performance Checks, 2–1
  - Aberrations, 2–6
  - Conclusions, 2–10
  - Equipment Required, 2–1
  - Horizontal Scale, 2–2
  - Jitter, 2–9
  - Noise, 2–5
  - Offset / Gain, 2–6
  - Risetime, 2–8
  - Sampling Efficiency, 2–6
  - Set Up, 2–2
  - Vertical Position, 2–4
- Pouch, 4–2
- Power
  - AC, xiv
  - AC Receptacle, 1–1
  - Battery, xiii, xiv
    - Low Indicator, 1–3
    - Remove / Replace, 4–1
  - Battery Pack
    - Care of, 1–2
    - Charging, 1–2
  - Cords, 4–2
    - Safety, ix
  - Fuse, x, 1–1
  - Fuse Rating, 1–2
  - Requirements, xiv
  - Safety, xi
  - Source, xiii
  - Voltage Rating, 1–2
  - Voltage Selector, 1–1
  - Voltages, 1–1
- Product Description, xv
- Pulse, 1–26

## R

- References, xiii
- Reflection Coefficient, 1–14

- Repacking, xiv
- Replaceable Parts

### Electrical

- Assemblies, 8–6
- Driver/Sampler Board, 8–30
- Front Panel Board, 8–21
- Main Board, 8–8
- Parts Ordering Information, 8–1
  - Abbreviations, 8–1
  - Comp Numbers, 8–1
  - Descriptions, 8–2
  - List of Assemblies, 8–1
  - Mfg. Number, 8–2
  - Mfr. Codes, 8–1, 8–2, 8–3
  - Serial Number, 8–2
  - Tek Number, 8–2
- Power Supply, 8–25
- Wire Assemblies, 8–36

### Mechanical

- Abbreviations, 10–2
- Chassis Parts, 10–2
- Column Descriptions, 10–2
- Lists
  - Battery Pack, 10–15
  - Case, 10–5
  - Frame, 10–8
  - Front Panel, 10–8
  - Power Supply, 10–13
  - Mfr. Code, 10–2, 10–3
  - Parts Ordering Information, 10–1
  - Using the Lists, 10–1

- Return Loss, 1–15, 1–16

## S

### Safety

- Covers, x
- Explosive Atmosphere, x
- Grounding, x
- Symbols, ix
- Terminology, ix
- Safety Summary, xi
- Salt Atmosphere Spec, 3–3
- Sand and Dust Spec, 3–3
- Scale (see Controls)
- Service Manual, 4–3
- Ship Carton Strength, xv
- Shock Spec, 3–3
- Short, 1–13
- Single Sweep, 1–27
- Slide Rule, 4–2
- Specifications, 3–1
  - Electrical, 3–1
  - Environmental, 3–3
  - Physical, 3–4
- Store the Waveform, 1–18

## T

- Temperature, Low, 1–4
- Terminator, 4–2

**U**

Unpacking, xiv

**V**

Velocity of Propagation, 1–10

Table of Types, 1–10

Unknown Vp, 1–11

Velocity of Propagation (See also Controls), 1–6

Vertical Set Reference, 1–23

Vibration Spec, 3–3

View Difference, 1–19

View Input, 1–17

View Store, 1–18

Voltage (see Power)

Voltage Spec, 3–2

Vp (see Velocity of Propagation)

**W**

Water Resistance Spec, 3–3

Waveform Storage, 1–18

Weight Spec, 3–4





