

213 DMM

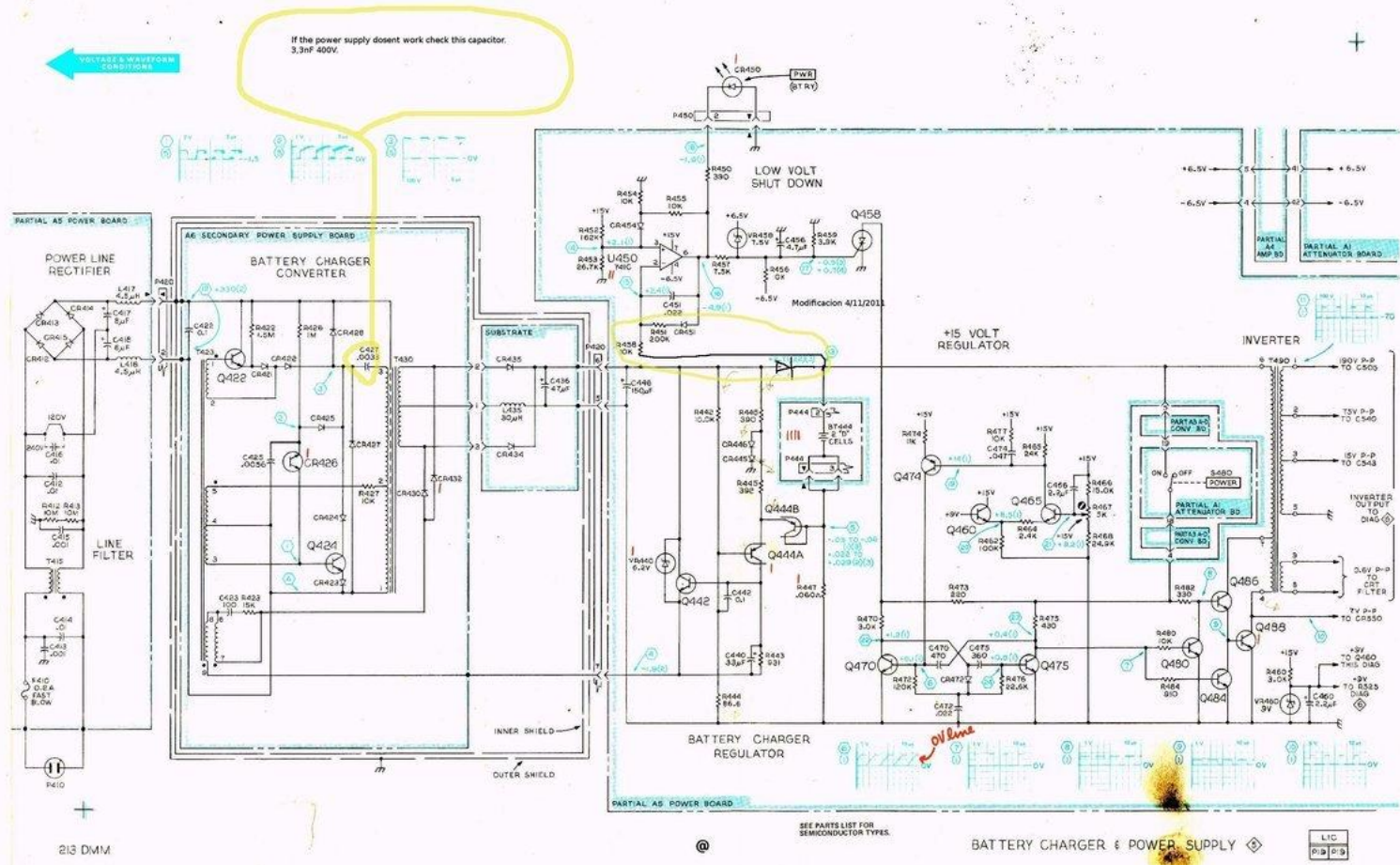
ATTENUATOR & INPUT AMPLIFIER

NOTE:  
 \*\* THICK FILM RESISTOR.  
 \* MATCHED PAIR.  
 SEE PARTS LIST FOR SEMICONDUCTOR TYPES.

LIC  
 Pg/P19

DMM REFERENCE FROM DC14 DIAG

ATTENUATOR & INPUT AMPLIFIER



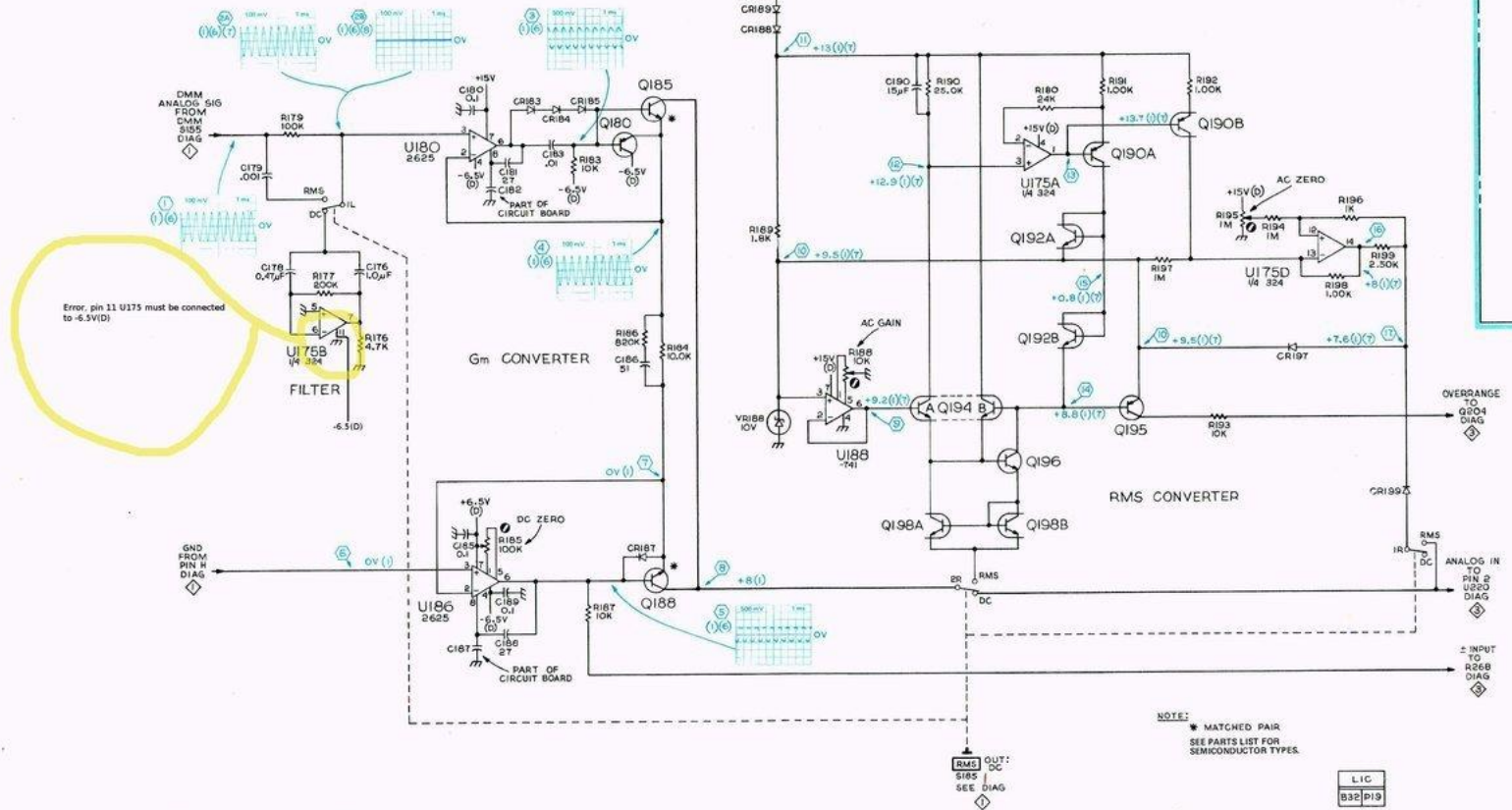
213 DMM

BATTERY CHARGER & POWER SUPPLY

LIC  
P/P P/3

BATTERY CHARGER & POWER SUPPLY

VOLTAGE & WAVEFORM CONDITIONS

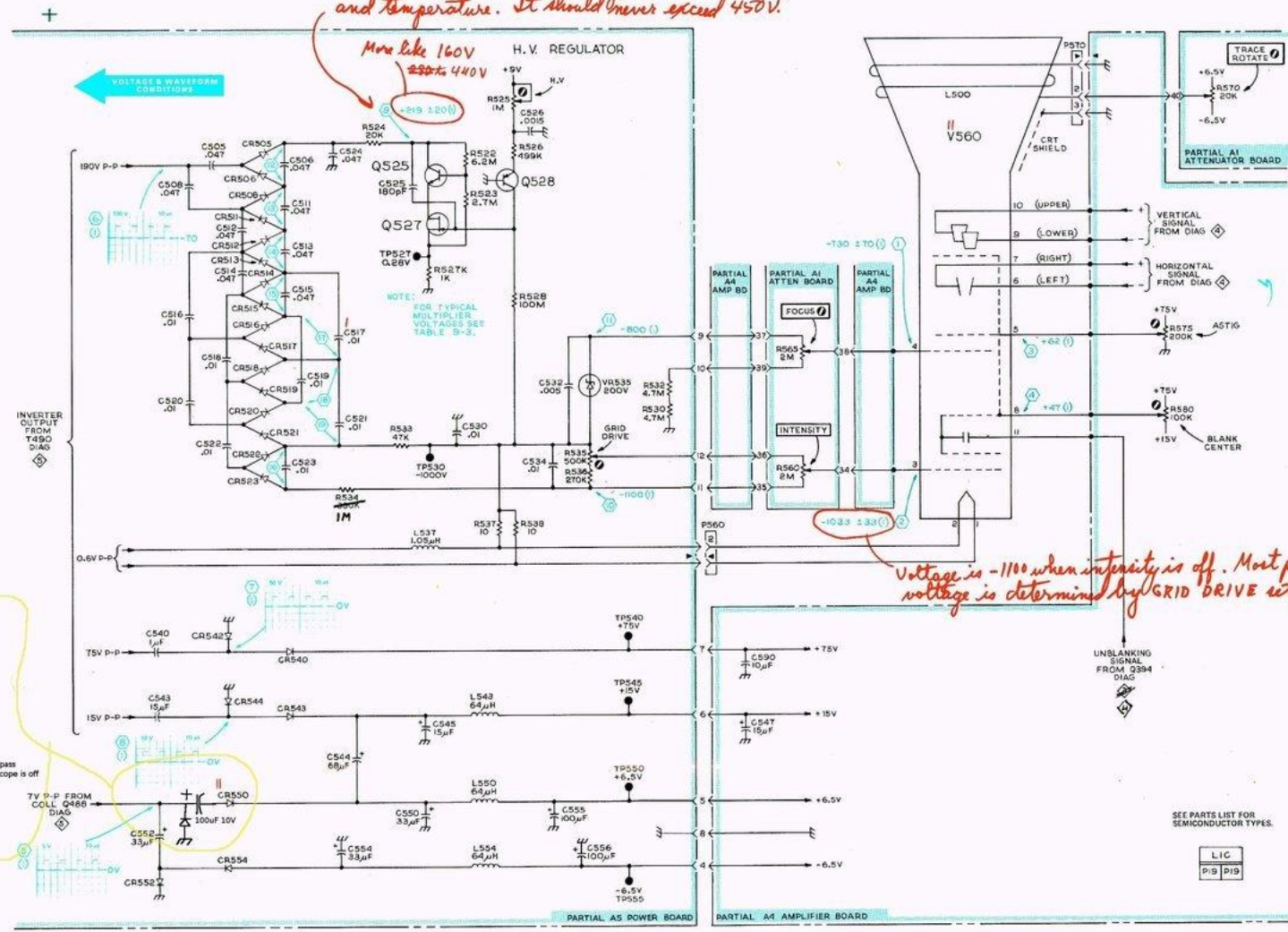


Error: pin 11 U175 must be connected to -6.5V(D)

PARTIAL A2 FUNCTION BOARD

NOTE: \* MATCHED PAIR SEE PARTS LIST FOR SEMICONDUCTOR TYPES.

LIC B32P19



213 DMM

@

HIGH VOLTAGE & CRT CIRCUIT

+

SEE PARTS LIST FOR SEMICONDUCTOR TYPES.

LIC P19 P19