

# DIAGRAMS AND CIRCUIT BOARD ILLUSTRATIONS

## Symbols and Reference Designators

Electrical components shown on the diagrams are in the following units unless noted otherwise:

- Capacitors = Values one or greater are in picofarads (pF).  
Values less than one are in microfarads ( $\mu$ F).
- Resistors = Ohms ( $\Omega$ ).

Graphic symbols and class designation letters are based on ANSI Standard Y32.2-1975.

Logic symbology is based on ANSI Y32.14-1973 in terms of positive logic. Logic symbols depict the logic function performed and may differ from the manufacturer's data.

The overline on a signal name indicates that the signal performs its intended function when it goes to the low state.

Abbreviations are based on ANSI Y1.1-1972.

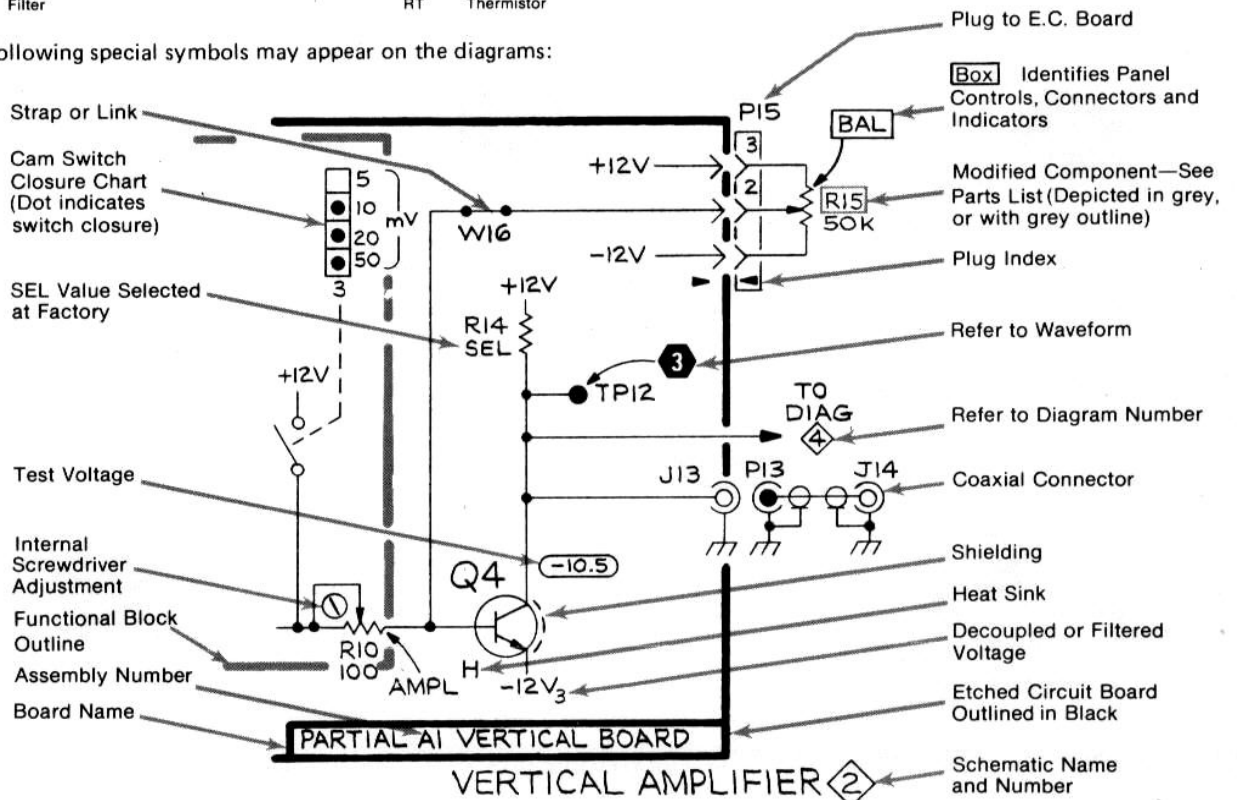
Other ANSI standards that are used in the preparation of diagrams by Tektronix, Inc. are:

- Y14.15, 1966 Drafting Practices.
- Y14.2, 1973 Line Conventions and Lettering.
- Y10.5, 1968 Letter Symbols for Quantities Used in Electrical Science and Electrical Engineering.

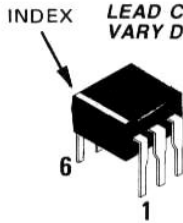
The following prefix letters are used as reference designators to identify components or assemblies on the diagrams.

A	Assembly, separable or repairable (circuit board, etc)	H	Heat dissipating device (heat sink, heat radiator, etc)	S	Switch or contactor
AT	Attenuator, fixed or variable	HR	Heater	T	Transformer
B	Motor	HY	Hybrid circuit	TC	Thermocouple
BT	Battery	J	Connector, stationary portion	TP	Test point
C	Capacitor, fixed or variable	K	Relay	U	Assembly, inseparable or non-repairable (integrated circuit, etc.)
CB	Circuit breaker	L	Inductor, fixed or variable	V	Electron tube
CR	Diode, signal or rectifier	M	Meter	VR	Voltage regulator (zener diode, etc.)
DL	Delay line	P	Connector, movable portion	W	Wirestrap or cable
DS	Indicating device (lamp)	Q	Transistor or silicon-controlled rectifier	Y	Crystal
E	Spark Gap, Ferrite bead	R	Resistor, fixed or variable	Z	Phase shifter
F	Fuse	RT	Thermistor		
FL	Filter				

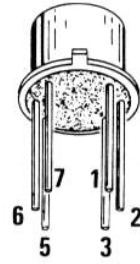
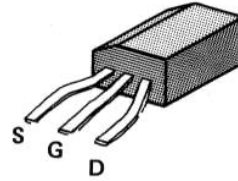
The following special symbols may appear on the diagrams:



**NOTE**  
LEAD CONFIGURATIONS AND CASE STYLES ARE TYPICAL, BUT MAY VARY DUE TO VENDOR CHANGES OR INSTRUMENT MODIFICATIONS.

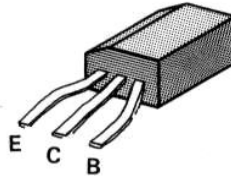


1	2	3	4	5	6
S	G	D	D	G	S

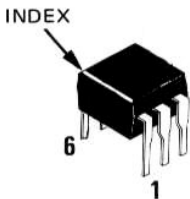


1	2	3	5	6	7
S	G	D	D	G	S

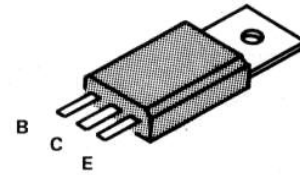
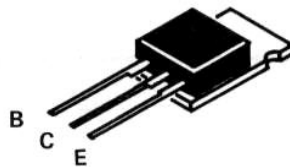
FETS



Q220, 224  
234, 510 & 600  
ONLY

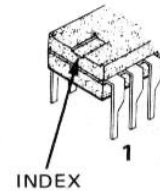
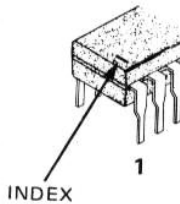
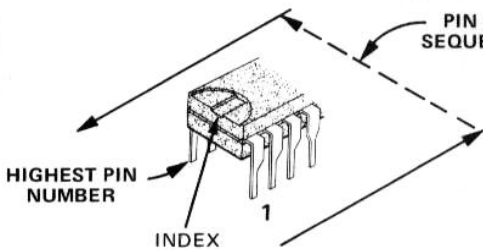


1	2	3	4	5	6
E	C	B	B	C	E



TRANSISTORS

IC PINS ARE NUMBERED COUNTERCLOCKWISE FROM THE INDEX. (VIEWED FROM TOP)



INTEGRATED CIRCUITS

2423-65A

Figure 8-1. Semiconductor lead configurations.

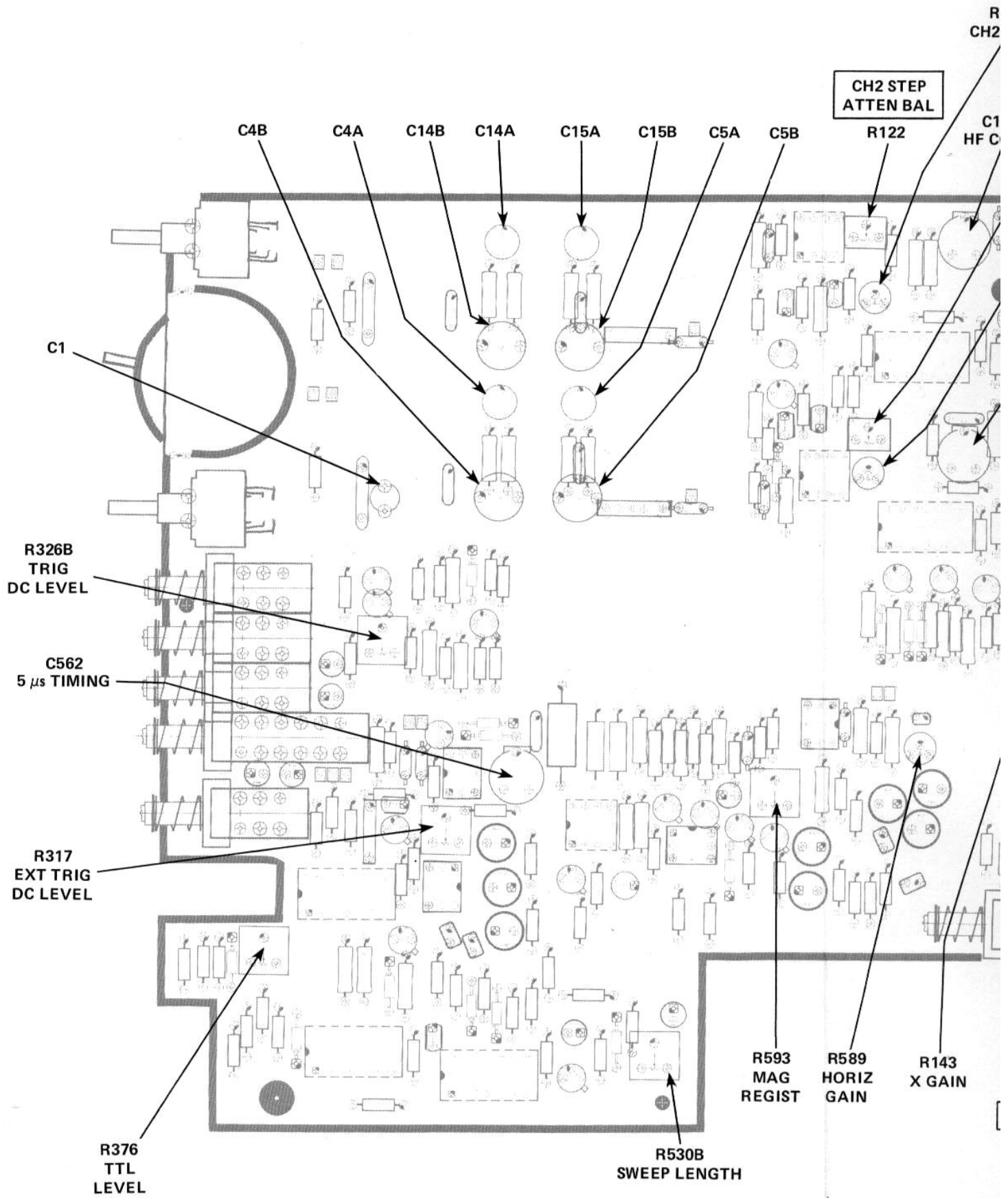


Figure 8-2. Adjustment locations, main board.

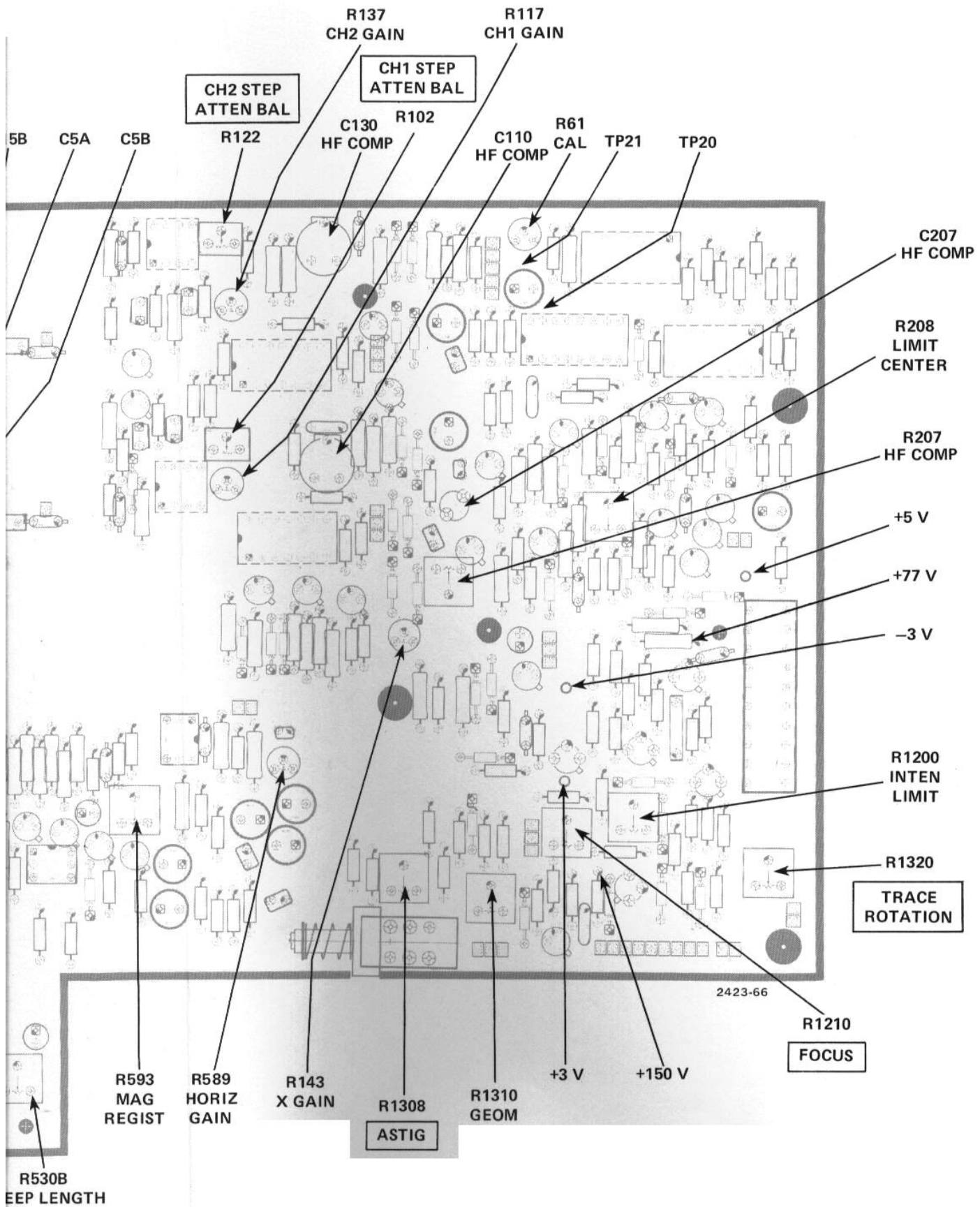


Figure 8-2. Adjustment locations, main board.

REV B JAN 1980



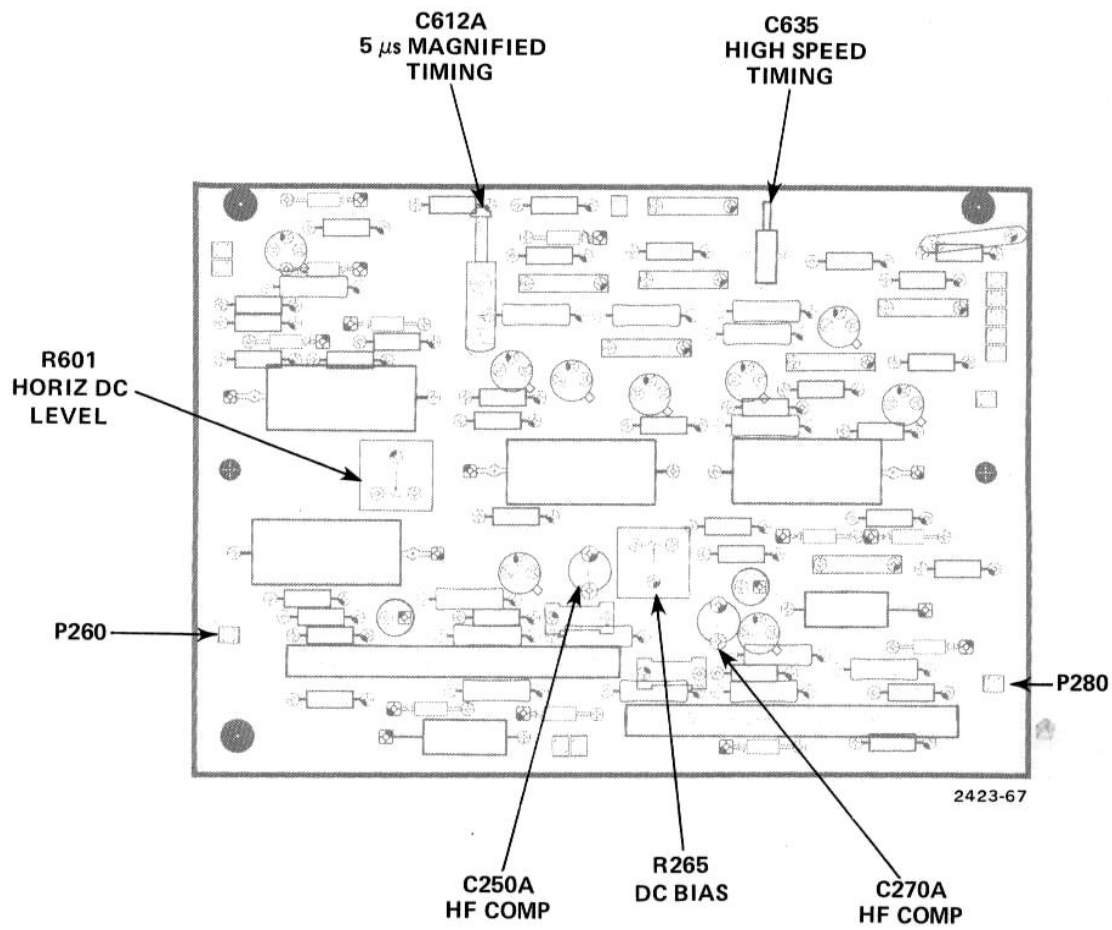


Figure 8-3. Adjustment locations, output amplifier board.

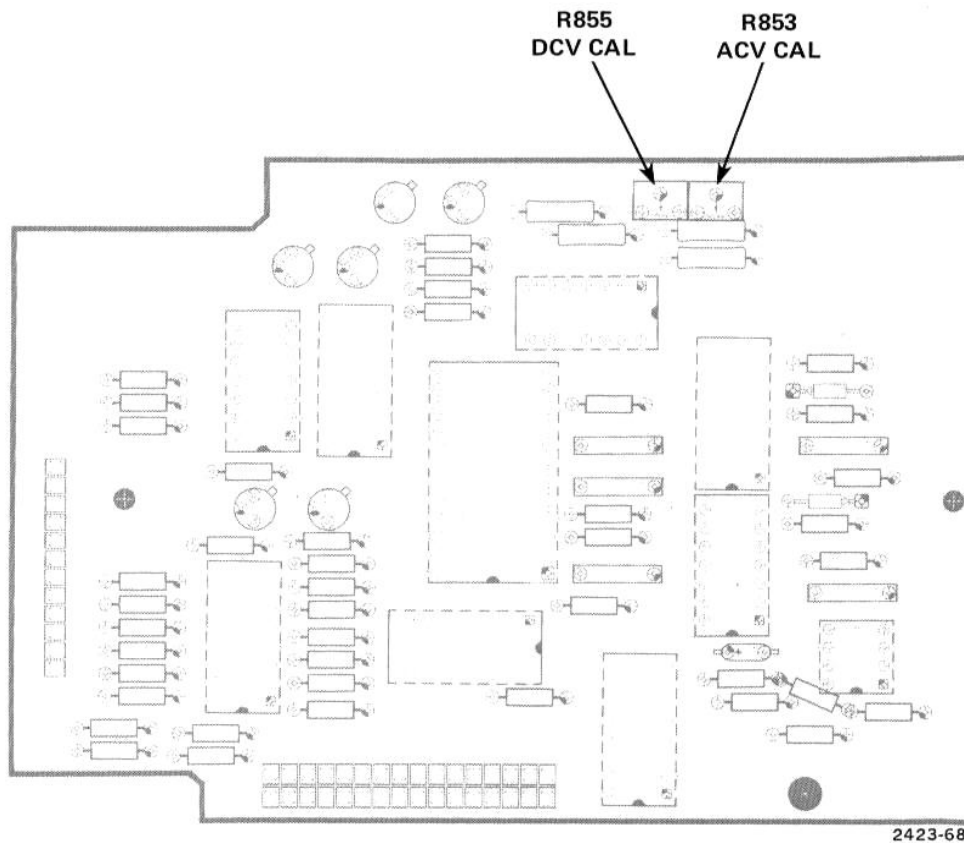


Figure 8-4. Adjustment locations, DMM A/D and logic board.

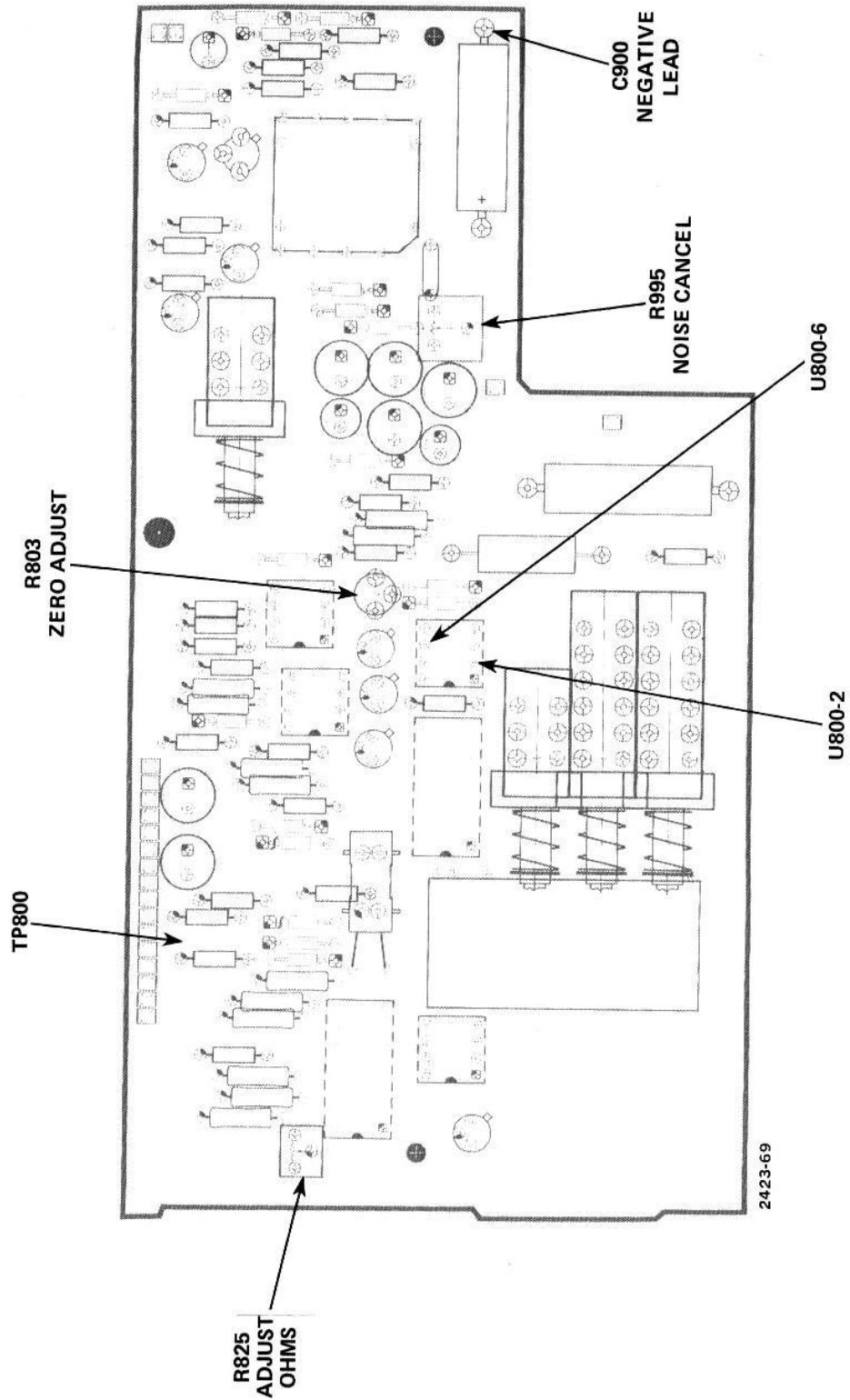


Figure 8-5. Adjustment locations, DMM input board.

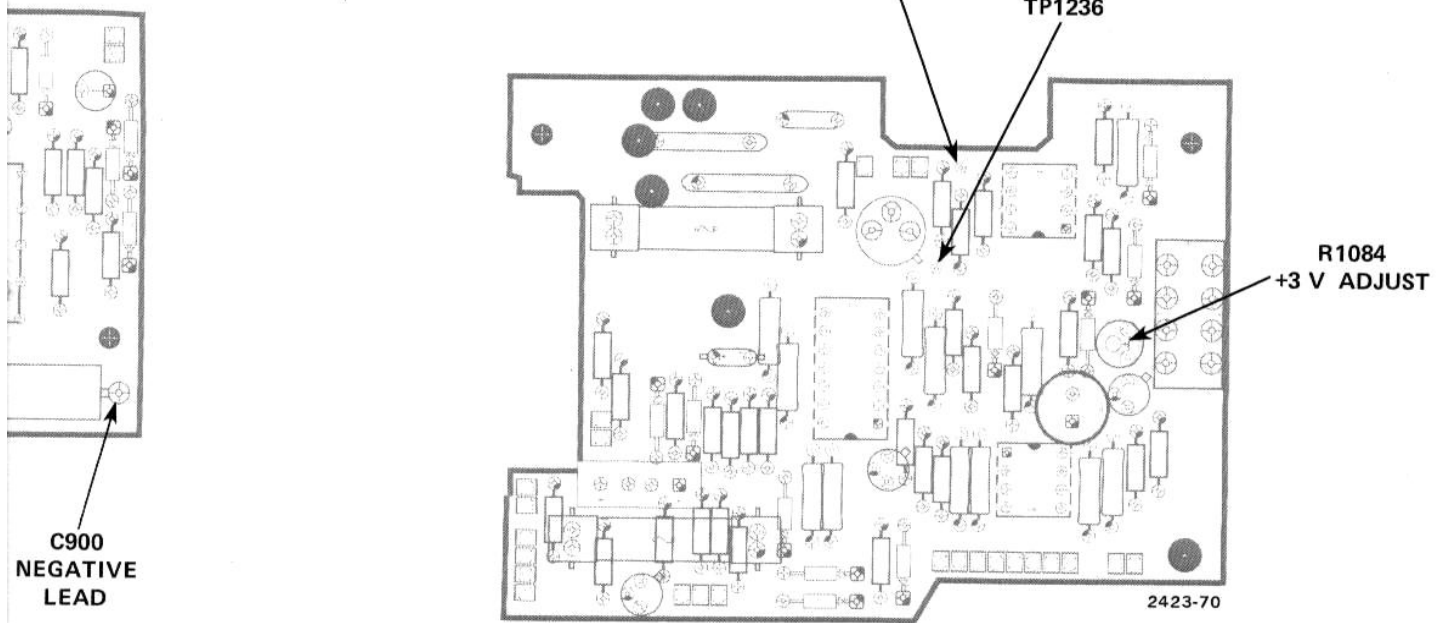
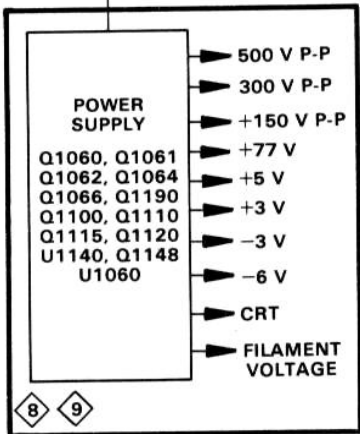
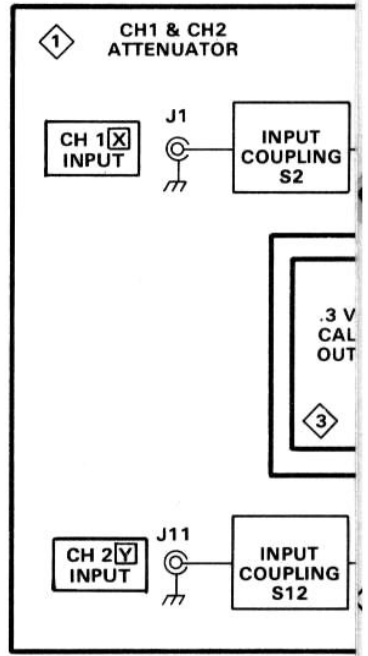
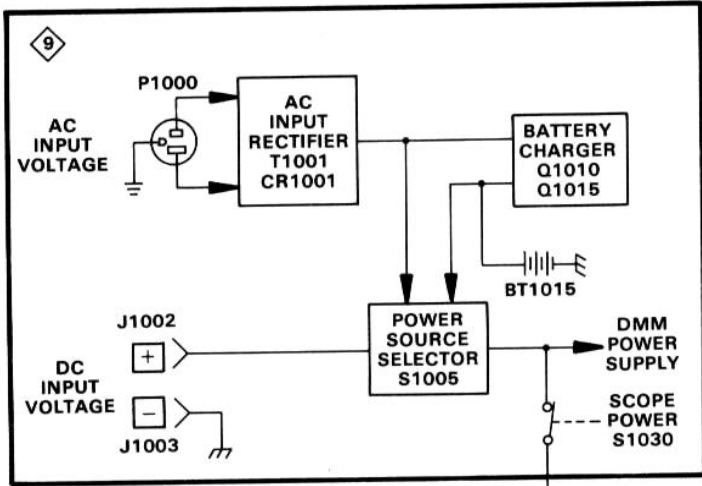
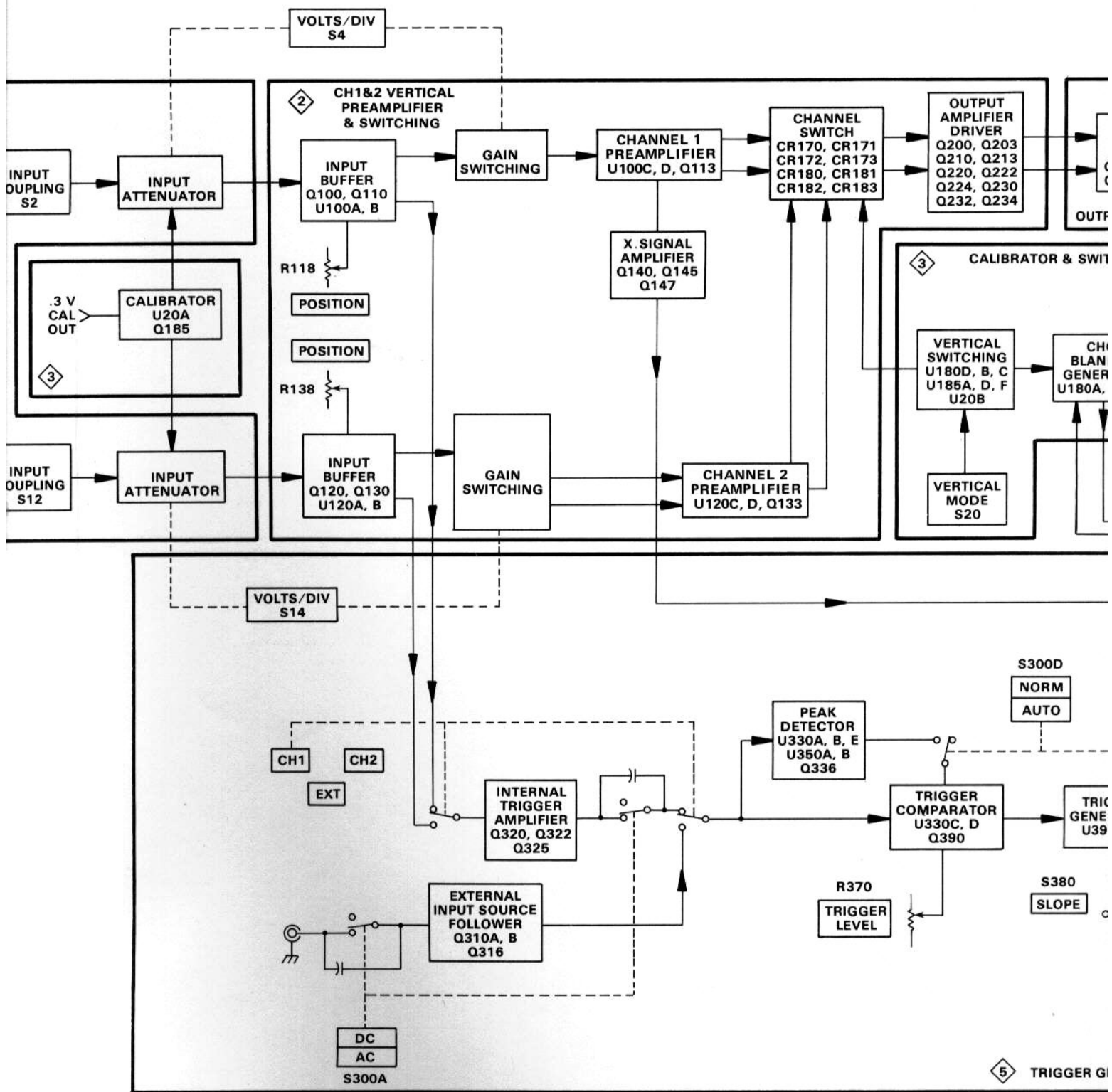


Figure 8-6. Adjustment locations, battery charger board.

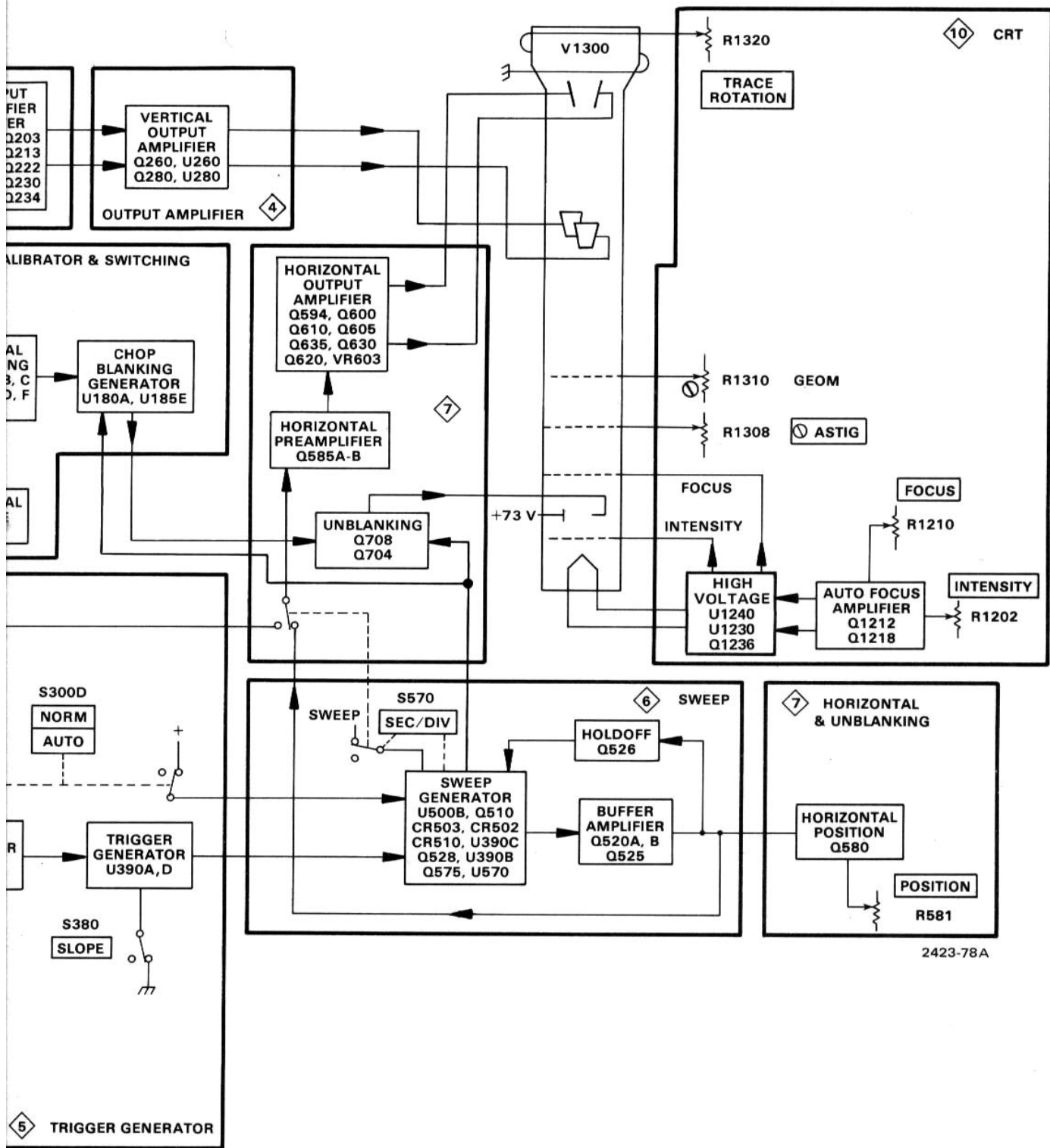


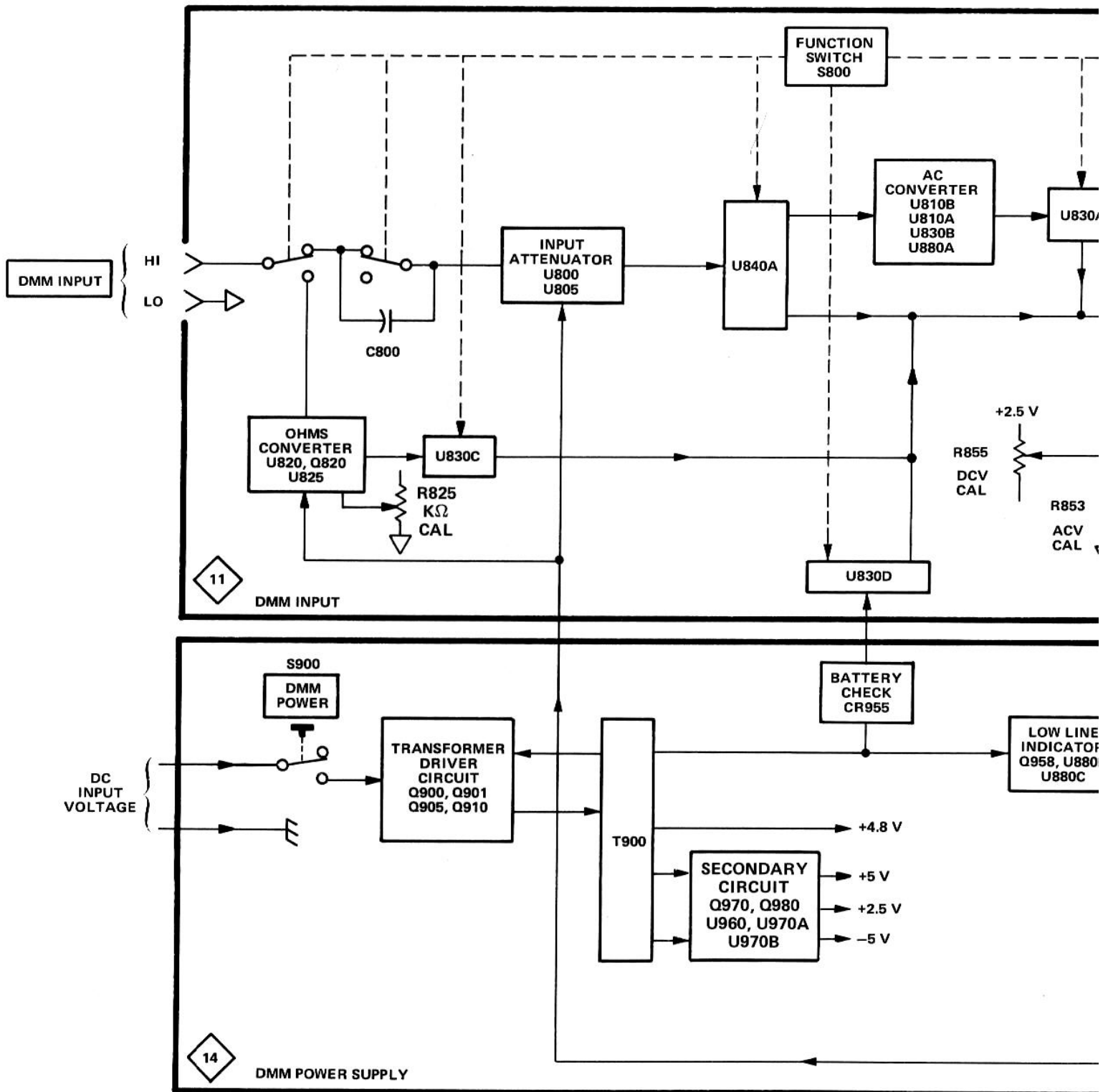


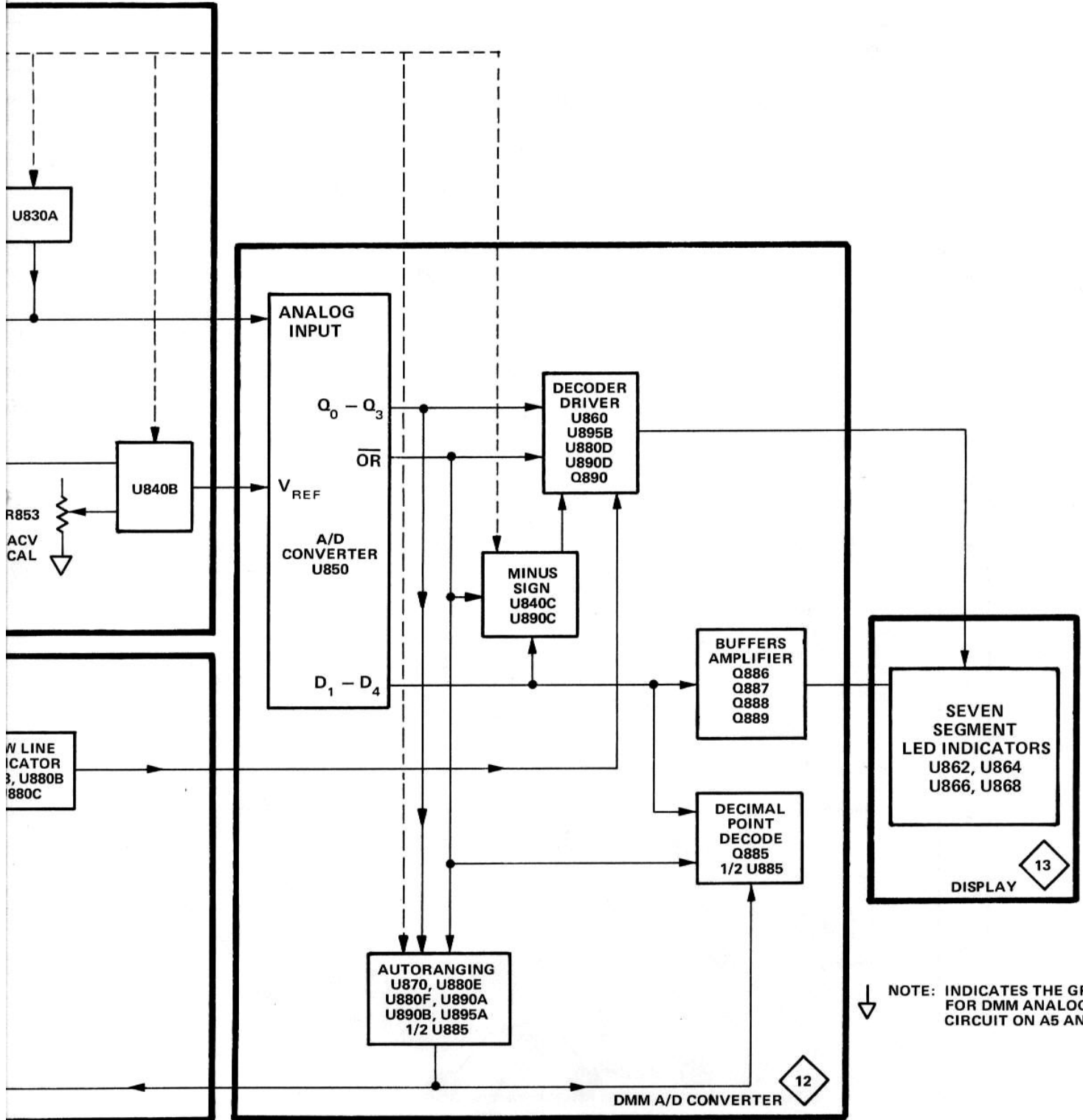
Block diagram of oscilloscope.

REV JUL 1981









2423-79

Block diagram of DMM.

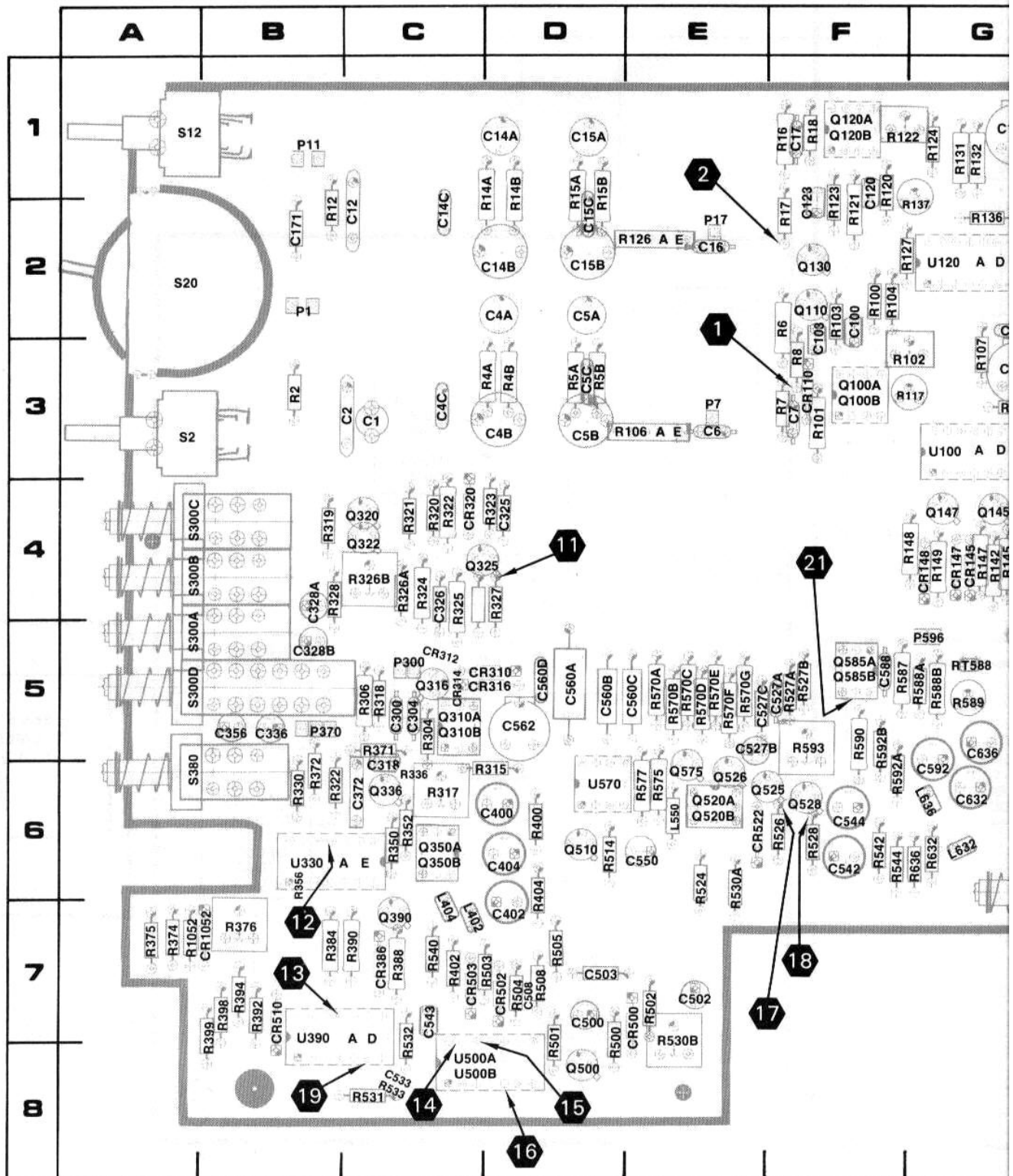
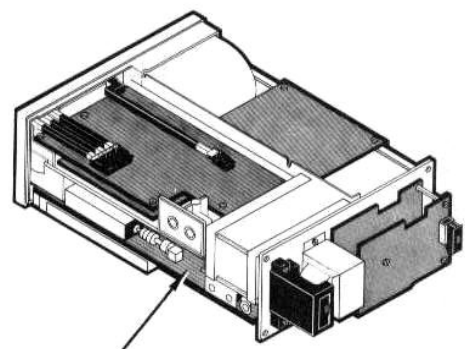
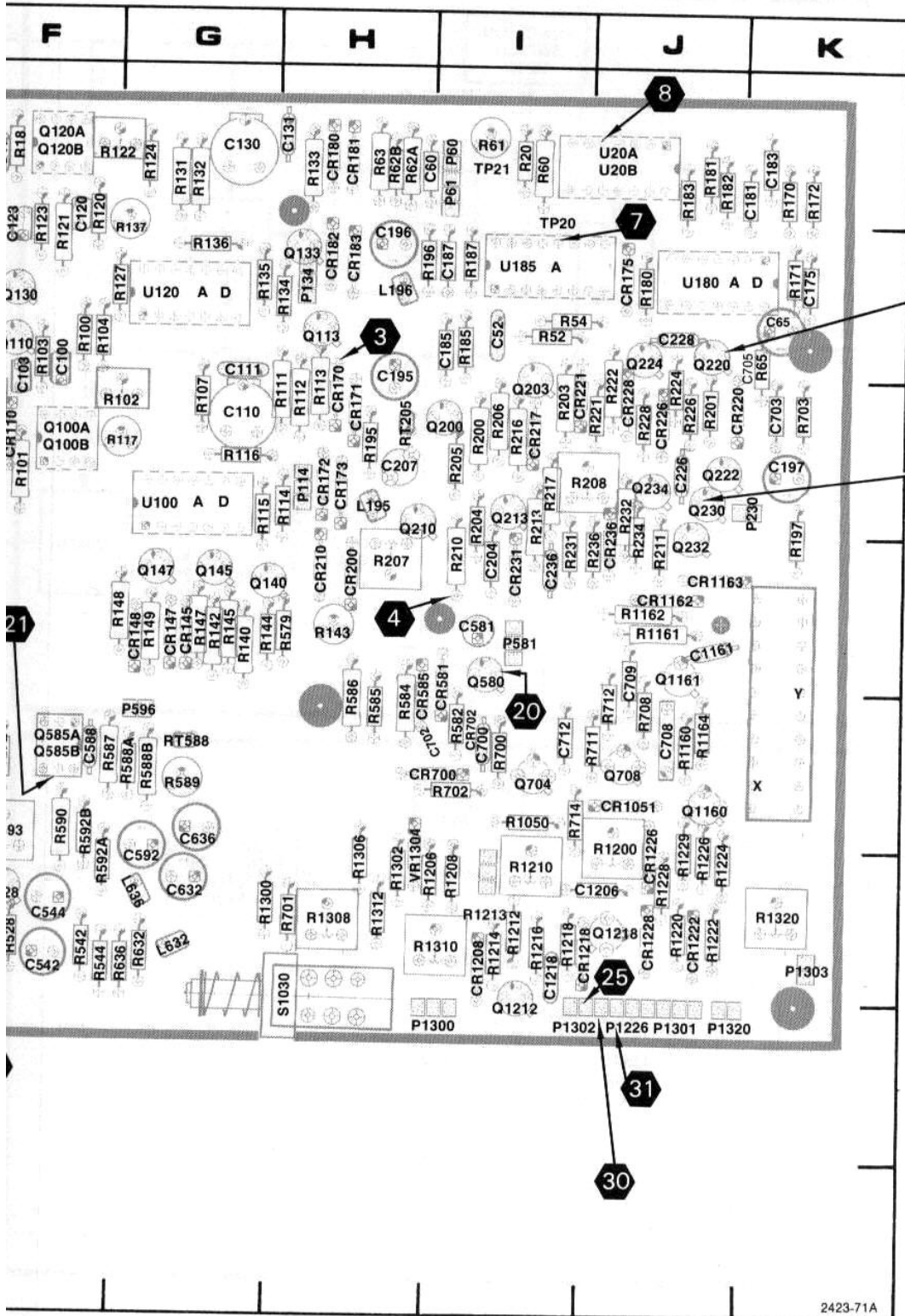


Figure 8-7. A1 main board.



A1 MAIN BOARD

7. A1 main board.

2423-71A

CKT NO	GRID LOC	CKT NO	GRID LOC	CKT NO	GRID LOC	CKT NO	GRID LOC	CKT NO	GRID LOC	CKT NO	GRID LOC	CKT NO	GRID LOC
C1	3C	C560A	5D	L402	7C	Q1218	6J	R182	1J	R524	6E	R1310	6I
C2	3C	C560B	5D	L404	7C			R183	1J	R526	6F	R1312	6H
C4A	2D	C560C	5E	L550	6E	R2	3B	R185	2I	R527A	5E	R1320	6K
C4B	3D	C560D	5D	L632	6G	R4A	3D	R187	2I	R527B	5F		
C4C	3C	C562	5D	L636	6G	R4B	3D	R195	3H	R528	6F	RT205	3H
C5A	2D	C581	4I			R5A	3D	R205	3I	R530A	6E	RT588	5G
C5B	3D	C588	5F	P1	2B	R5B	3D	R206	3I	R530B	7E		
C5C	3D	C592	6G	P7	3E	R6	2F	R207	4H	R531	8C	S2	3A
C6	3E	C632	6G	P11	1B	R7	3F	R208	3I	R532	8C	S4	6D
C12	2C	C636	5F	P17	2E	R8	3F	R210	4I	R533*	8C	S12	1A
C14A	1D	C700	5I	P60	1I	R12	2B	R211	4J	R540	7C	S14	7D
C14B	2D	C702	5I	P61	1I	R14A	1D	R213	3I	R542	6F	S20	2A
C14C	2C	C703	3K	P134	2H	R14B	1D	R216	3I	R544	6F	S300A	5A
C15A	1D	C705	2J	P230	3K	R15A	1D	R217	3I	R570A	5E	S300B	4A
C15B	2D	C708	5J	P300	5C	R15B	1D	R221	3J	R570B	5E	S300C	4A
C15C	2D	C709	4J	P370	5B	R16	1F	R222	3J	R570C	5E	S300D	5A
C16	2E	C712	5I	P581	4I	R17	2F	R224	3J	R570D	5E	S380	6A
C17	1F	C1161	4J	P596	5G	R20	1I	R226	3J	R570E	5E	S1030	6H
C52	2I	C1206	6J	P1226	7J	R52	2I	R228	3J	R570F	5E		
C60	1H	C1218	6I	P1300	7I	R54	2I	R231	4I	R570G	5E	U20A	1J
C65	2K	CR110	3F	P1301	7J	R60	1I	R232	3J	R575	6E	U20B	1J
C100	2F	CR145	4G	P1302	7I	R61	1I	R234	3J	R577	6E	U100	3G
C103	2F	CR147	4G	P1303	6K	R62A	1H	R236	4J	R579	4G	U120	2G
C110	3G	CR148	4G			R62B	1H	R304	5C	R582	5H	U180	2J
C111	2G	CR170	3H	Q100A	3F	R63	1H	R306	5C	R584	5H	U185	2I
C120	1F	CR171	3H	Q100B	3F	R65	2K	R315	6D	R585	5H	U330	6B
C123	2F	CR172	3H	Q110	2F	R100	2F	R317	6C	R586	5H	U390	7B
C130	1G	CR173	3H	Q113	2H	R101	3F	R318	5C	R588A	5G	U500A	8C
C131	1H	CR175	2J	Q120A	1F	R102	3G	R319	4B	R588B	5G	U500B	8C
C171	2B	CR180	1H	Q120B	1F	R103	2F	R320	4C	R589	5G	U570	6D
C175	2K	CR181	1H	Q130	2F	R104	2F	R321	4C	R590	5F		
C181	1K	CR182	2H	Q133	2H	R106	3D	R322	4C	R592A	6F	VR1304	6H
C183	1K	CR183	2H	Q140	4G	R107	3G	R322	6B	R592B	5F		
C185	2I	CR200	4H	Q145	4G	R109	†	R323	4D	R593	5F		
C187	2I	CR210	4H	Q147	4G	R111	3G	R324	4C	R632	6B		
C195	2H	CR217	3I	Q200	3I	R112	3H	R325	4C	R636	6B		
C196	2H	CR220	3J	Q210	3H	R113	3H	R326A	4C	R700	5I		
C197	3K	CR221	3I	Q213	3I	R114	3H	R326B	4C	R701	6H		
C204	4I	CR226	3J	Q222	3J	R115	3G	R327	4D	R702	5I		
C207	3H	CR228	3J	Q224	2J	R116	3G	R238	4B	R703	3K		
C226	3J	CR231	4I	Q230	3J	R117	3G	R330	6B	R708	5J		
C228	2J	CR236	4J	Q232	4J	R120	1E	R336*	6C	R711	5J		
C236	4I	CR310	5D	Q234	3J	R121	2F	R350	6C	R712	5J		
C300	5C	CR312	5C	Q310A	5C	R122	1F	R352	6C	R714	5I		
C304	5C	CR314	5C	Q310B	5C	R123	3F	R356*	6B	R1050	5I		
C318	6C	CR316	5D	Q316	5C	R124	1G	R371	5C	R1052	7A		
C325	4D	CR320	4C	Q320	4C	R126	2E	R371	5C	R1160	5J		
C326	4C	CR386	7C	Q322	4C	R127	2F	R372	6B	R1161	4J		
C328A	4B	CR500	7E	Q325	4D	R129	†	R374	7A	R1162	4J		
C328B	5B	CR502	7D	Q336	6C	R131	1G	R375	7A	R1164	5J		
C336	5B	CR503	7C	Q350A	6C	R132	1G	R376	7B	R1200	5J		
C356	5B	CR510	7B	Q350B	6C	R133	1I	R384	7B	R1206	6I		
C372	6C	CR522	6E	Q390	7C	R134	2G	R388	7C	R1208	6I		
C400	6D	CR581	4I	Q500	8D	R135	2G	R390	7C	R1210	6I		
C402	7D	CR585	5H	Q510	6D	R136	2G	R392	7B	R1212	6I		
C404	6D	CR700	5I	Q520A	6E	R137	2G	R394	7B	R1213	6I		
C500	7D	CR702	5I	Q520B	6E	R140	4G	R398	7B	R1214	6I		
C502	6E	CR1051	5J	Q525	6F	R142	4G	R399	7B	R1216	6I		
C503	7D	CR1052	7B	Q526	6E	R143	4H	R400	6D	R1218	6I		
C507	†	CR1162	4J	Q528	6F	R144	4G	R402	7C	R1220	6J		
C508*	7D	CR1163	4J	Q575	6E	R145	4G	R404	6D	R1222	6J		
C527A	5F	CR1208	6I	Q580	4I	R147	4G	R500	7D	R1224	6J		
C527B	5E	CR1218	6I	Q585A	5F	R148	4G	R501	7D	R1226	6J		
C527C	5E	CR1222	6J	Q585B	5F	R149	4G	R502	7E	R1228	6J		
C533*	8C	CR1226	6J	Q704	5I	R170	1K	R503	7C	R1229	6J		
C542	6F	CR1228	6J	Q708	5J	R171	2K	R504	7D	R1300	6G		
C543	7C			Q1160	5J	R172	1K	R505	7D	R1302	6H		
C544	6F	L195	3H	Q1161	4J	R180	2J	R508	7D	R1306	6H		
C550	6E	L196	2H	Q1212	7I	R181	1J	R514	6D	R1308	6H		

\*See Parts List for serial number ranges.

† Located on back of board.



## Waveform Conditions

### 305 Setup

CH1 VOLTS/DIV	5 DIV CAL
CH1 CAL	CAL (in detent)
CH1 POSITION	5 DIV CAL signal graticule center
CH2 VOLTS/DIV	5 DIV CAL
CH2 CAL	CAL (in detent)
CH2 POSITION	5 DIV CAL signal graticule center
VERT MODE	CH1
Trigger Source	CH1
Trigger Coupling	AC
Trigger Mode	AUTO (p-p)
Trigger Slope	+
TRIGGER LEVEL	Midrange
SEC/DIV	1 m
SWEEP CAL	CAL (in detent)
DMM FUNCTION	All out (battery check)
INTEN	Midrange
POWER SOURCE	AC/FULL CHG
115 V/230 V	115 V
J800	20 V p-p, 500 Hz sine wave

## Voltage Conditions

These voltages are typical values: actual values may vary as much as 20%.

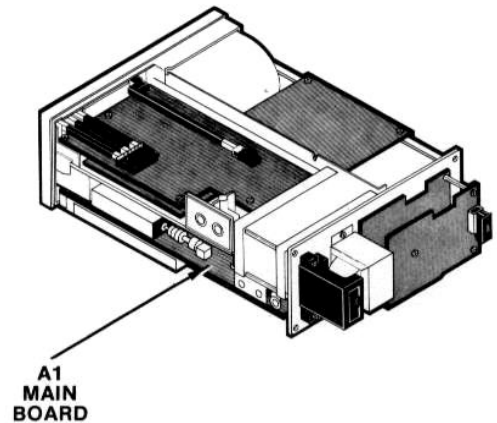
### 305 Setup

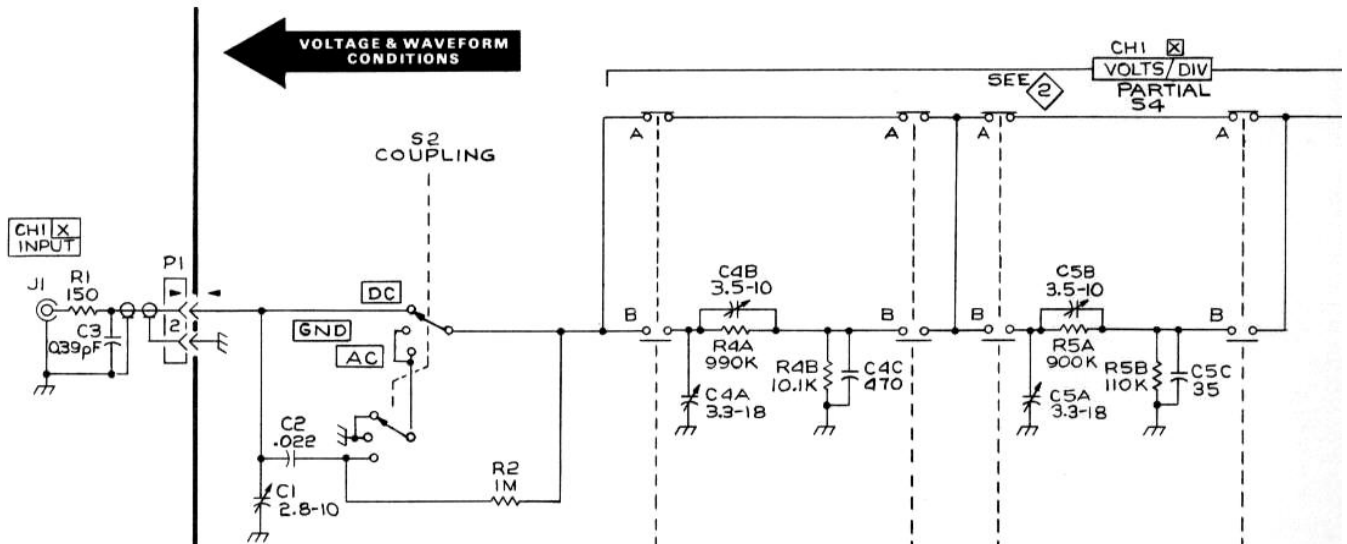
CH1 VOLTS/DIV	5 m
CH2 VOLTS/DIV	5 m
CH1 POSITION	Trace is graticule center
CH2 POSITION	Trace is graticule center

All other functions are same setting as above.

## Test Oscilloscope

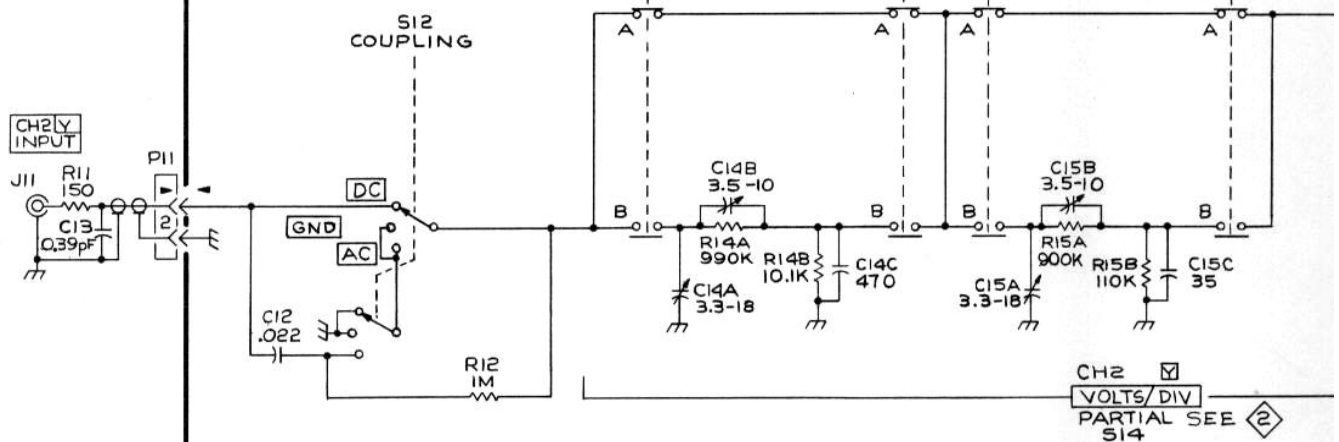
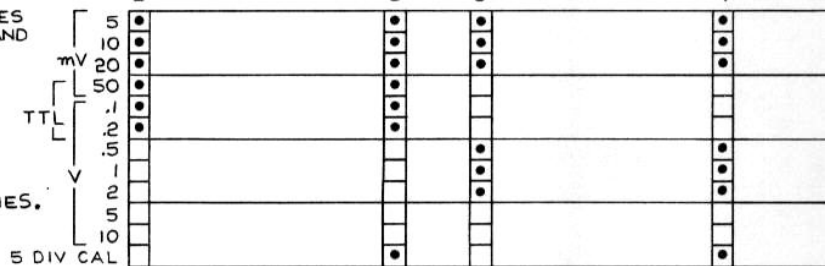
Probe	10X probe (10 M $\Omega$ input)
Ac-Gnd-Dc	Ac
Trigger Source	Int trigger



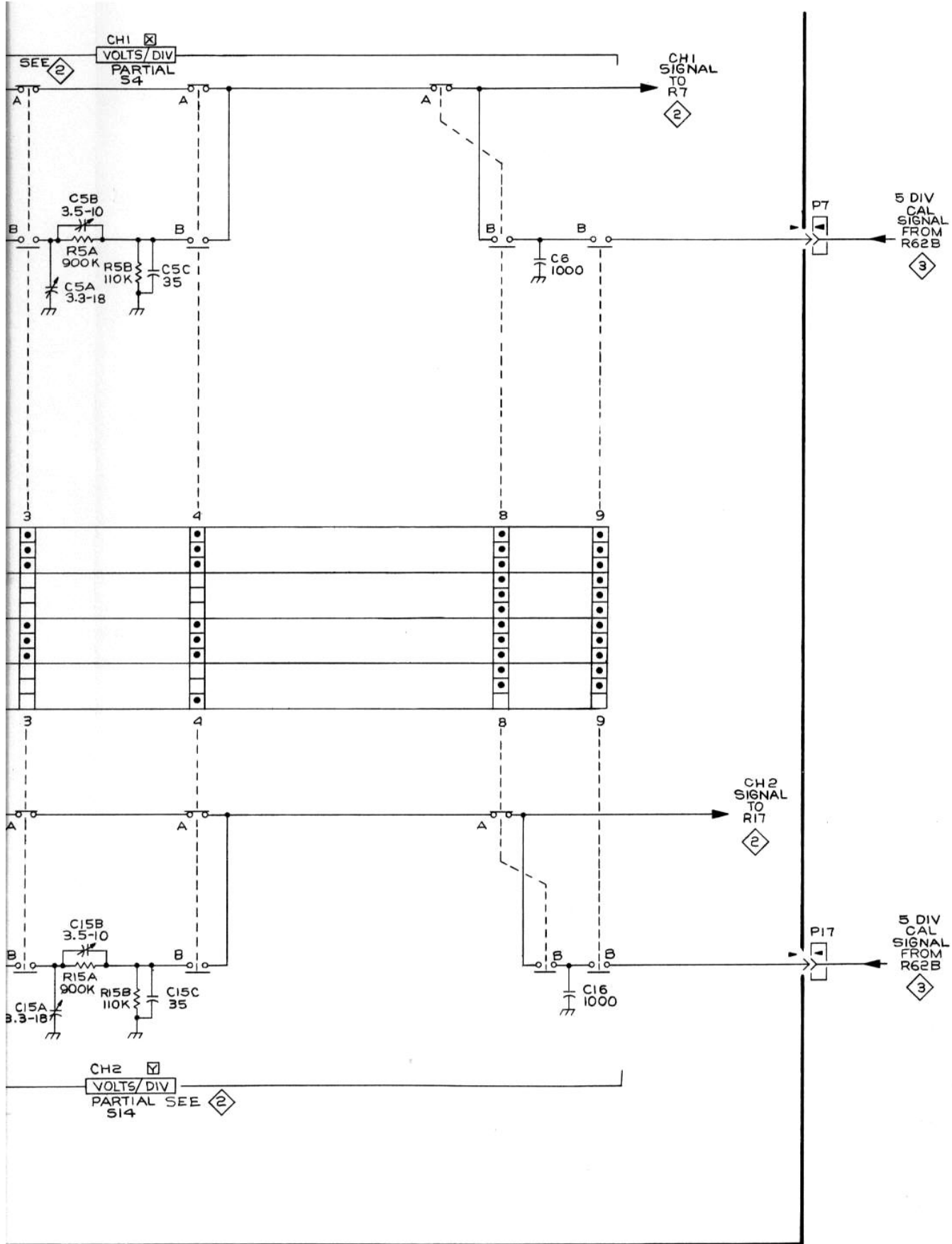


**NOTES:**

1. CLOSURE DOT INDICATES A CONTACTS CLOSED AND B CONTACTS OPEN.
2. B CONTACTS ARE ON CAM SIDE OF BOARD.
3. SWITCH SHOWN IN 5mV POSITION.
4. LOGIC SHOWN FOR CH1 AND CH2 SWITCHES.



PARTIAL A1 MAIN BOARD

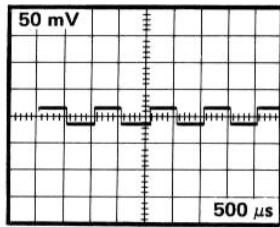


REV A AUG 1979

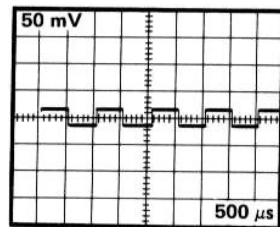
CHI & CH2 INPUT ATTENUATOR  1

NOTE: Waveforms conditions are listed on diagram .

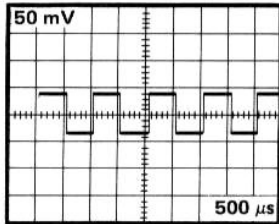
**1**



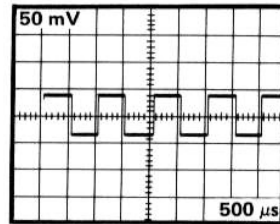
**2**



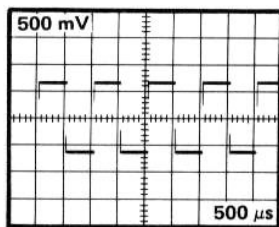
**3**



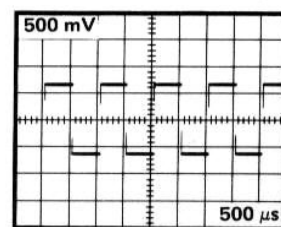
**4**

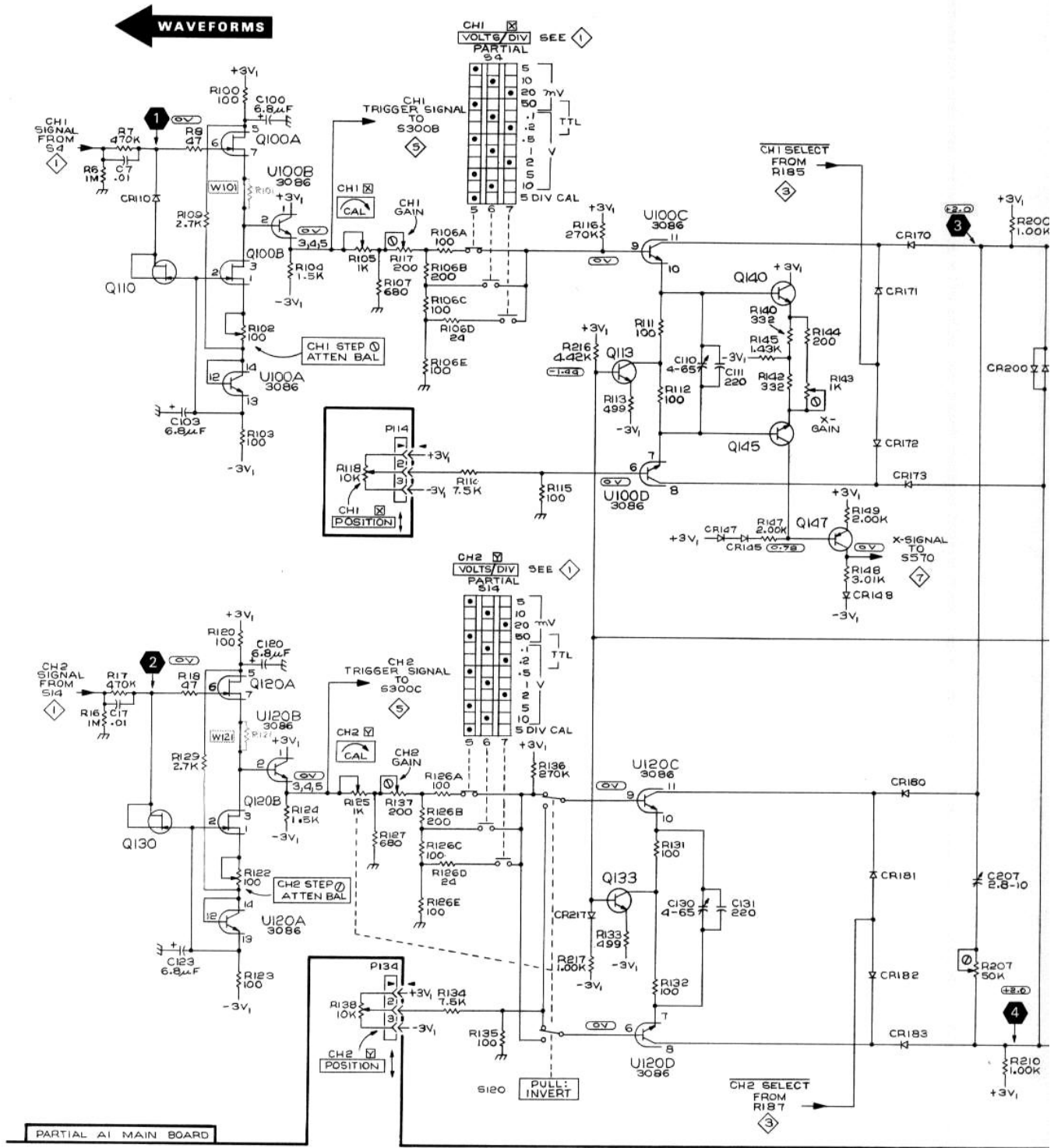


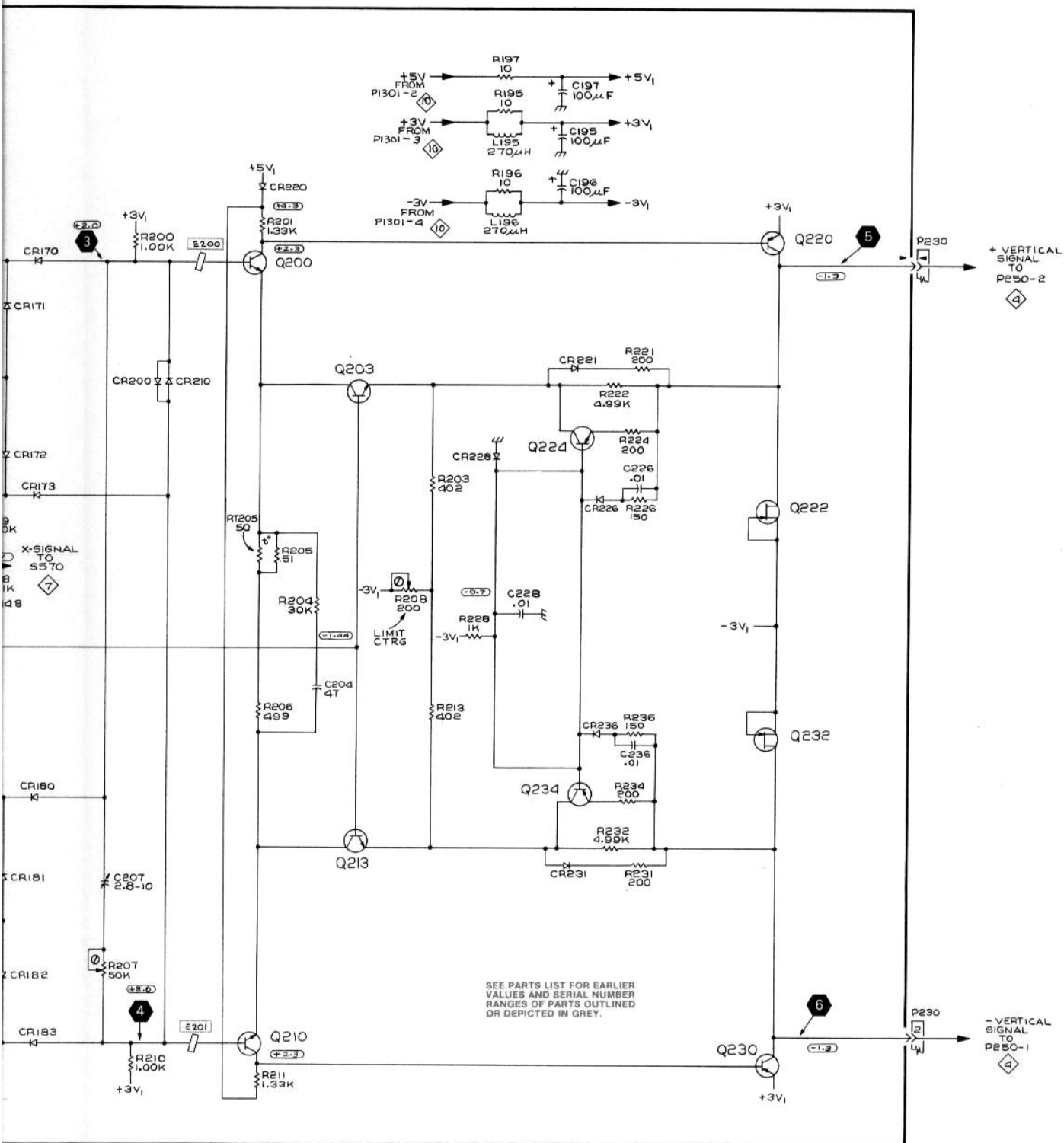
**5**



**6**








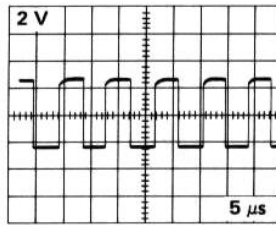
REV MAY 1982

CH1 & CH2 VERTICAL PREAMPLIFIER & CHANNEL SWITCH AND OUTPUT DRIVER

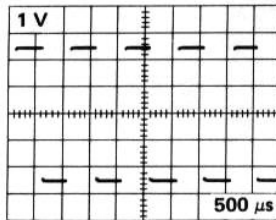


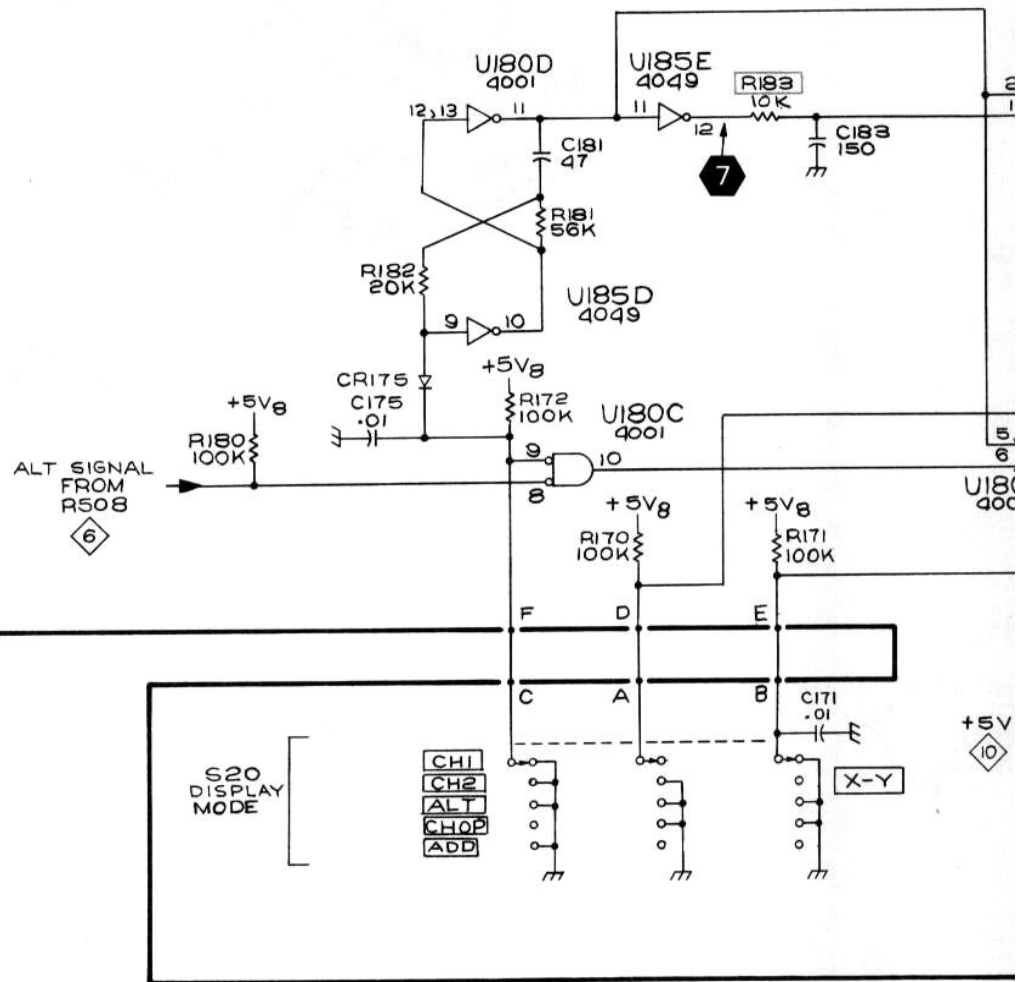
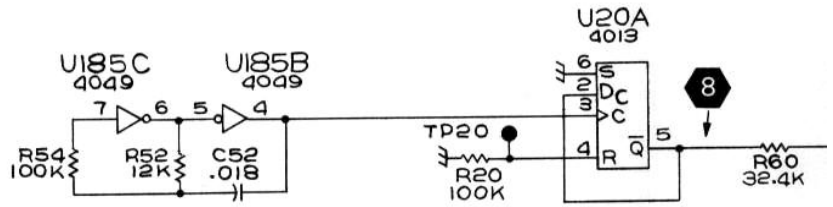
NOTE: Waveforms conditions are listed on diagram  .

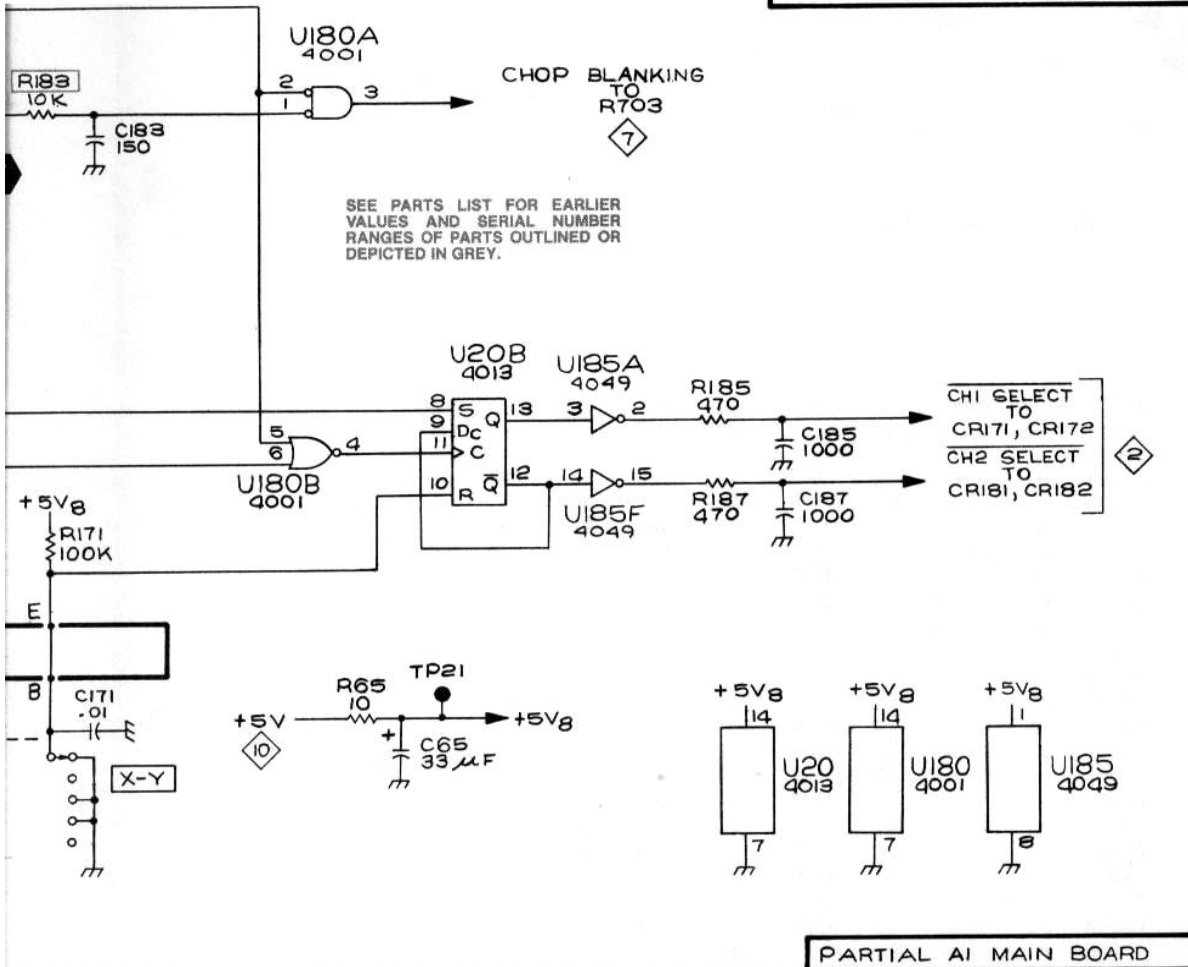
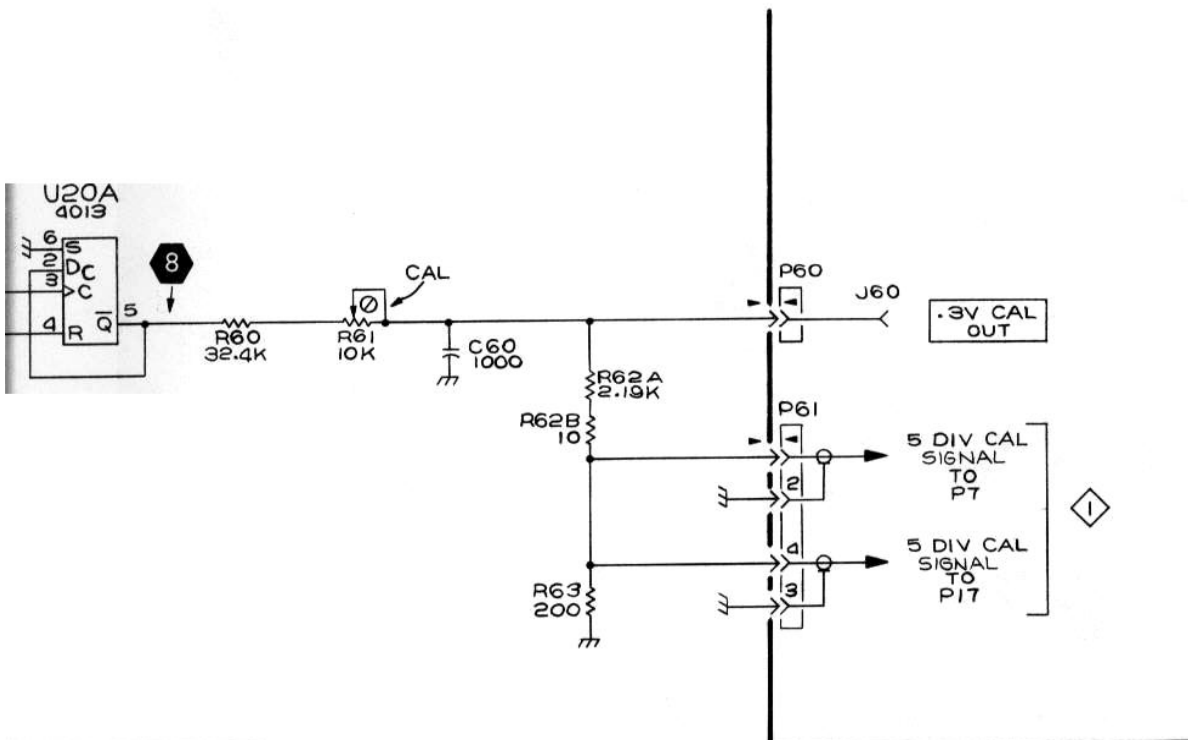












PARTIAL A1 MAIN BOARD

DEC 1983

CALIBRATOR & CHOP/ALT FUNCTION SWITCH

CALIBRATION & SWITCHING

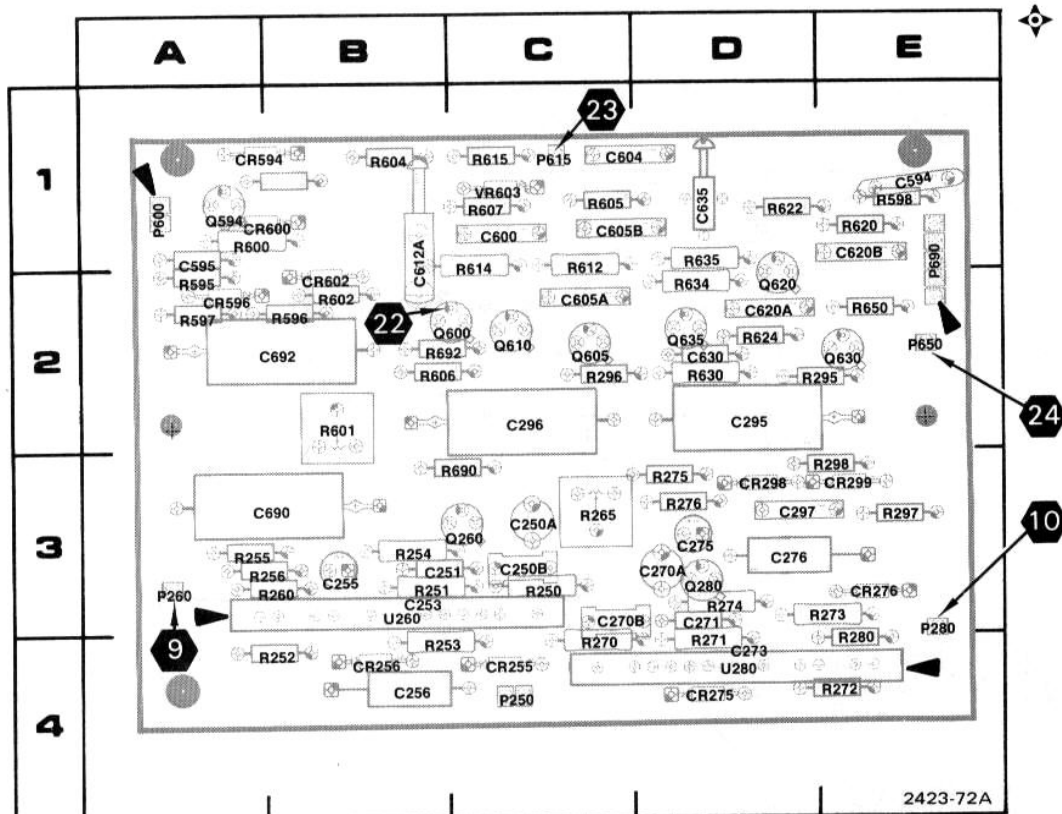


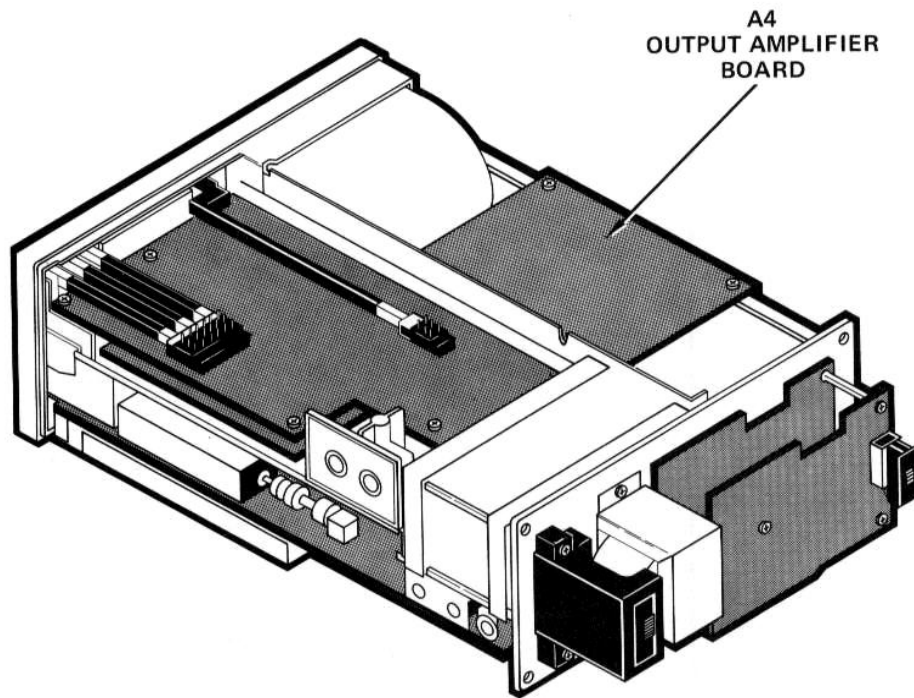
Figure 8-8. A4 output amplifier board.

\*See Parts List for serial number ranges.

CKT NO	GRID LOC	CKT NO	GRID LOC	CKT NO	GRID LOC	CKT NO	GRID LOC	CKT NO	GRID LOC
C250A	3C	C690	3B	Q600	2C	R296	2C	R692	2B
C250B	3C	C692	2B	Q605	2C	R297	3E	U260	3B
C251	3B			Q610	2C	R298	3E	U280	4D
C253*	3B	CR255	4C	Q620	2D	R595	2A		
C255	3B	CR256	4B	Q630	2E	R596	2B		
C256	4B	CR275	4D	Q635	2D	R597	2B	VR603	1C
C270A	3D	CR276	3E			R598	1E		
C270B	3C	CR298	3D	R250	3C	R600	1A		
C273*	4D	CR299	3E	R251	3B	R601	2B		
C275	3D	CR594	1A	R252	4B	R602	2B		
C276	3D	CR596	2A	R253	4B	R604	1B		
C295	2D	CR600	1B	R254	3B	R605	1C		
C296	2C	CR602	2B	R255	3A	R606	2B		
C297	3D			R256	3B	R607	1C		
C594	1E	P250	2G	R260	3B	R612	1C		
C595	1A	P260	3A	R265	3C	R614	1C		
C600	1C	P600	1A	R270	4C	R615	1C		
C604	1C	P615	1C	R271	4D	R620	1E		
C605A	2C	P650	2E	R272	4E	R622	1D		
C605B	1C	P760	2E	R273	3E	R624	2D		
C612A	1B	P690	1E	R274	3D	R630	2D		
C620A	2D			R275	3D	R634	2D		
C620B	1E	Q260	3C	R276	3D	R635	1D		
C630	2D	Q280	3D	R280	4E	R650	2E		
C635	1D	Q594	1A	R295	2D	R690	3C		

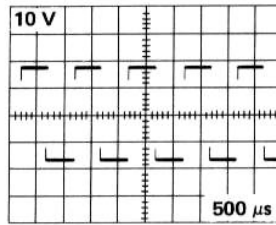


A4 OUTPUT AMPL



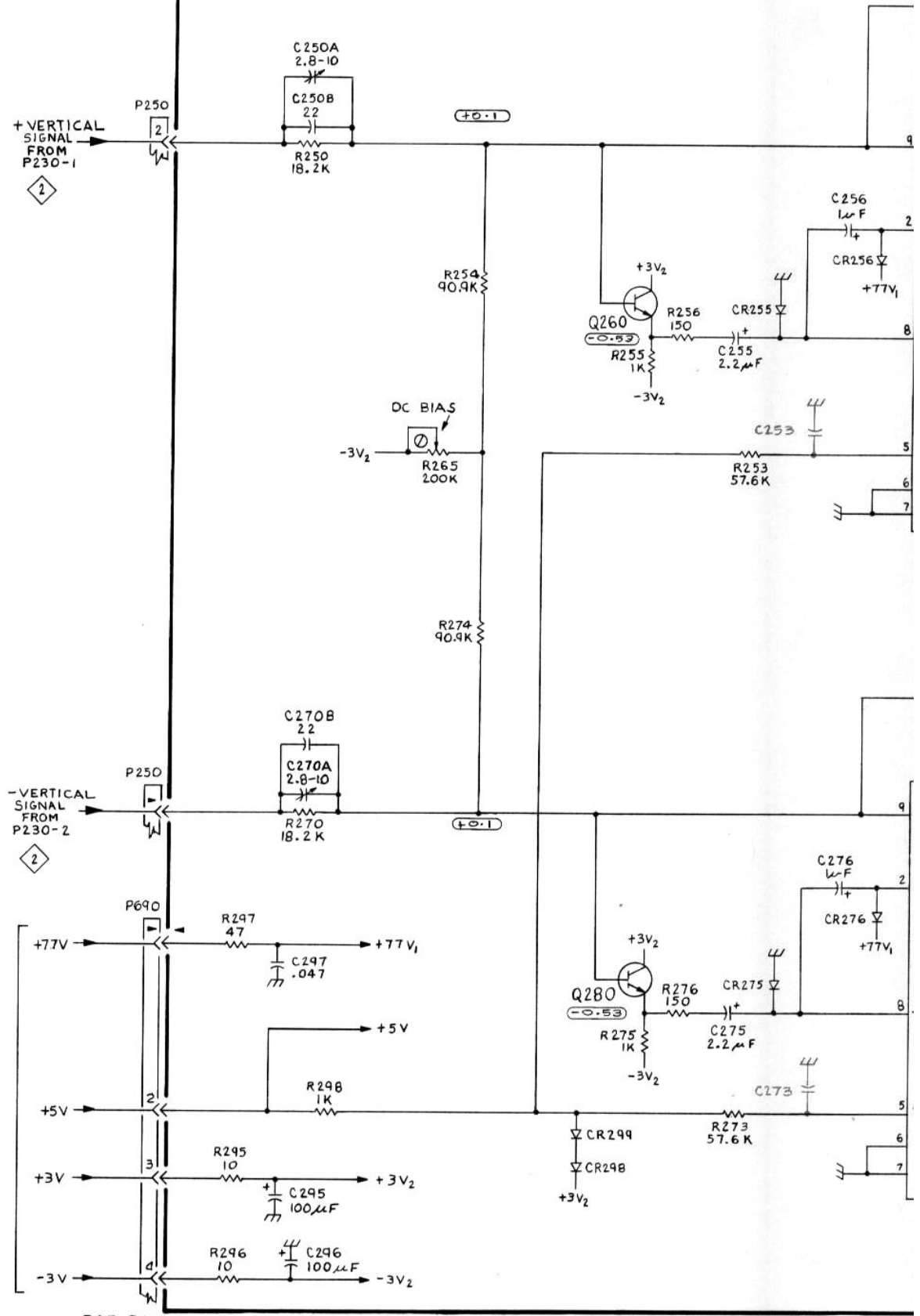
NOTE: Waveforms conditions are listed on diagram  .



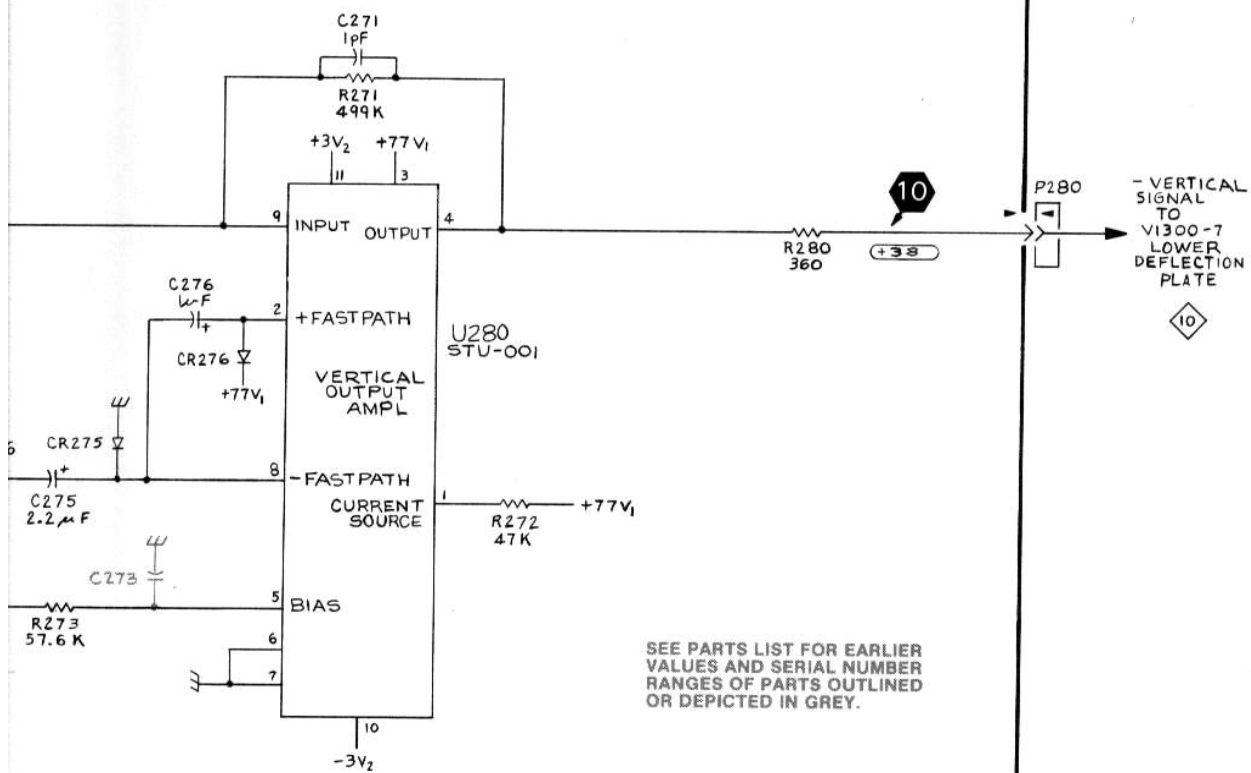
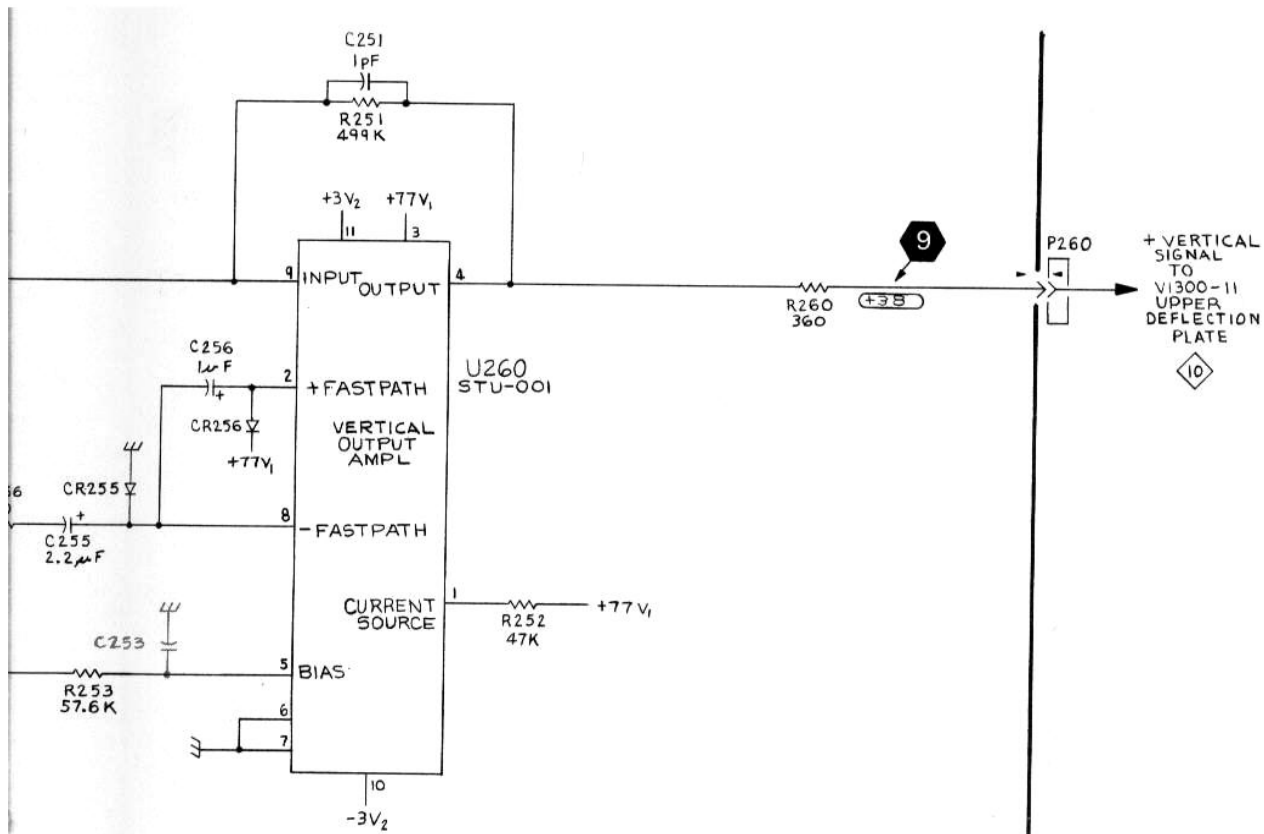


**← WAVEFORMS**



305 DMM OSCILLOSCOPE

REV B JAN 1980

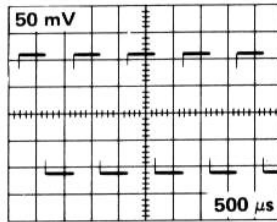


SEE PARTS LIST FOR EARLIER VALUES AND SERIAL NUMBER RANGES OF PARTS OUTLINED OR DEPICTED IN GREY.

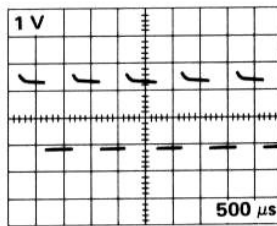
PARTIAL A4 OUTPUT AMPL BD

NOTE: Waveforms conditions are listed on diagram **1** .

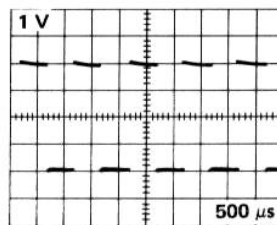
**11**

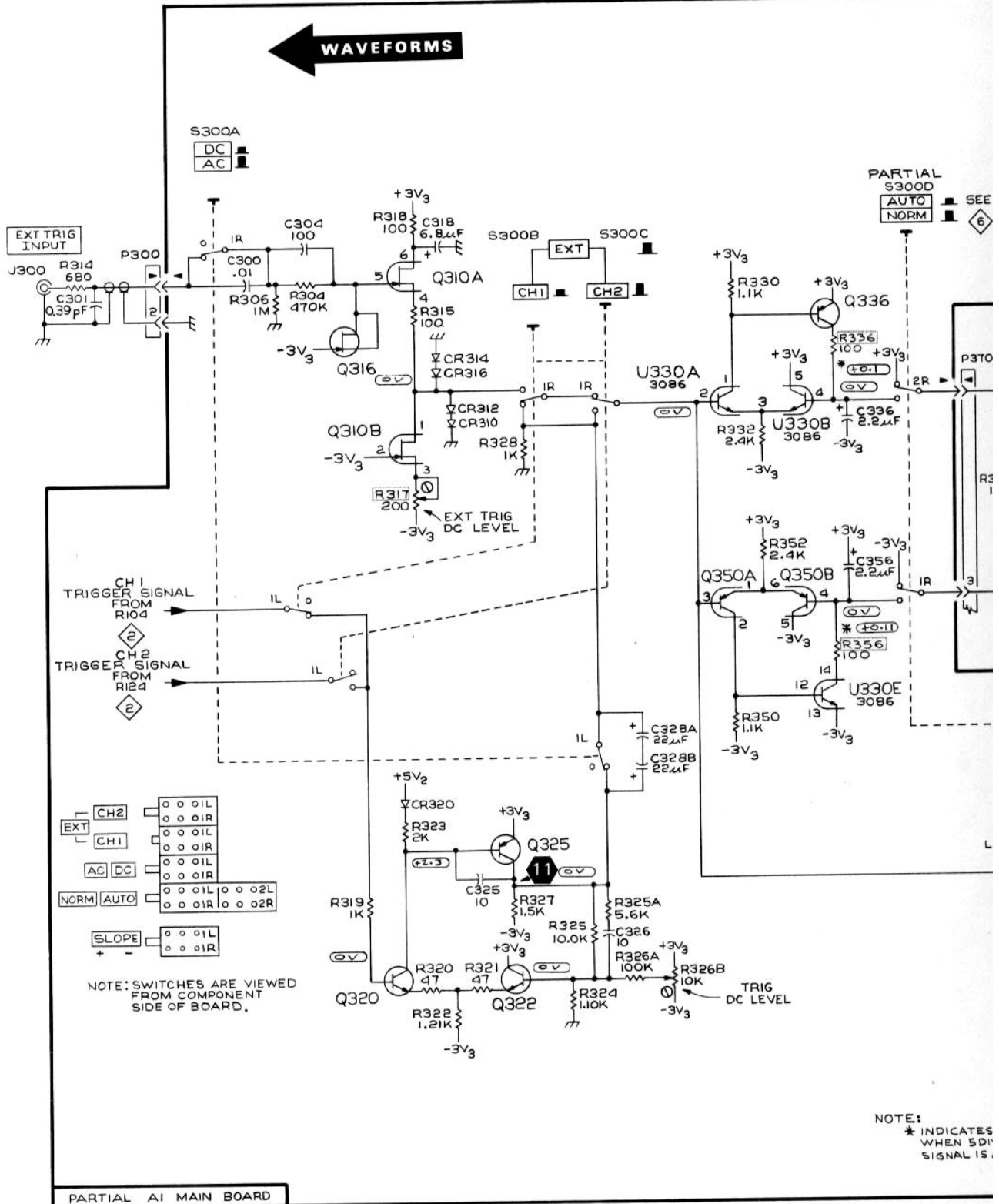


**12**

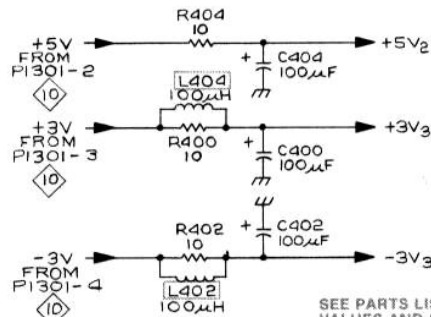
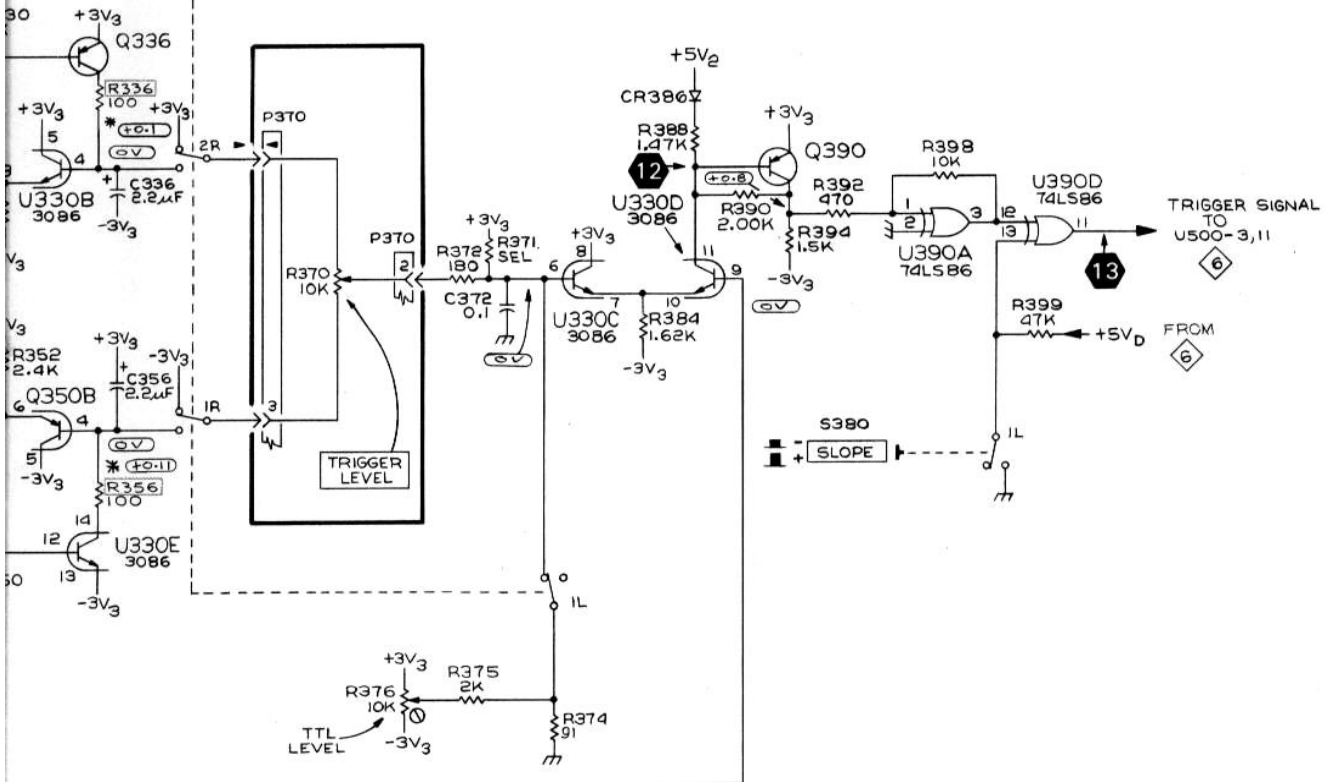


**13**





PARTIAL  
S300D  
AUTO ■ SEE  
NORM ■ 6

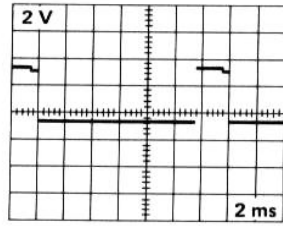


NOTE:  
\* INDICATES VOLTAGE  
WHEN 5DIV CAL  
SIGNAL IS APPLIED.

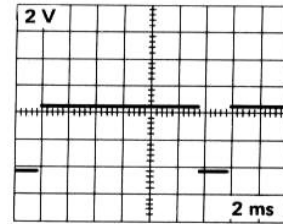
SEE PARTS LIST FOR EARLIER  
VALUES AND SERIAL NUMBER  
RANGES OF PARTS OUTLINED  
OR DEPICTED IN GREY.

NOTE: Waveforms conditions are listed on diagram 1.

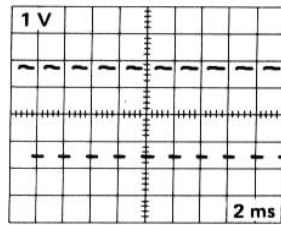
14



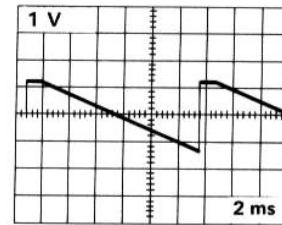
15



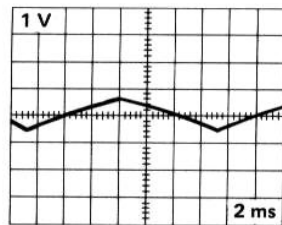
16



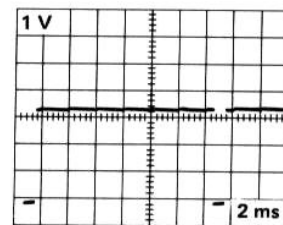
17



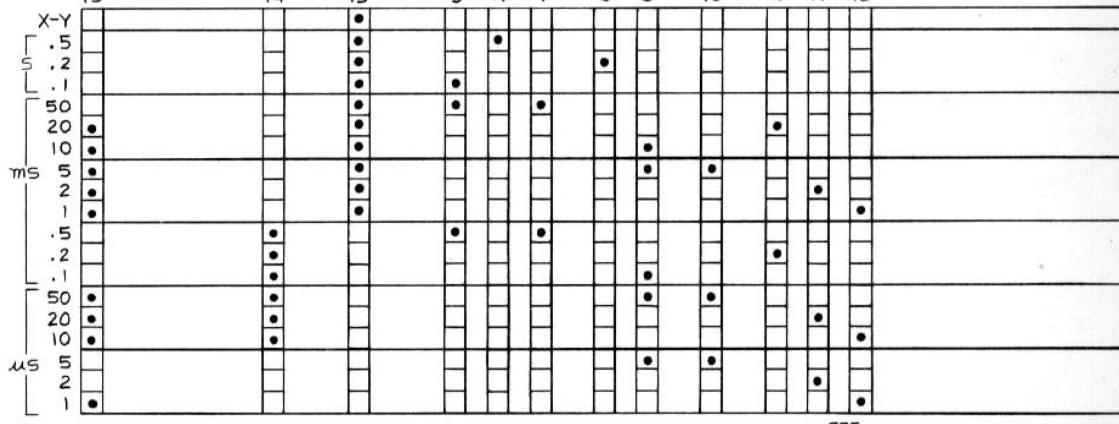
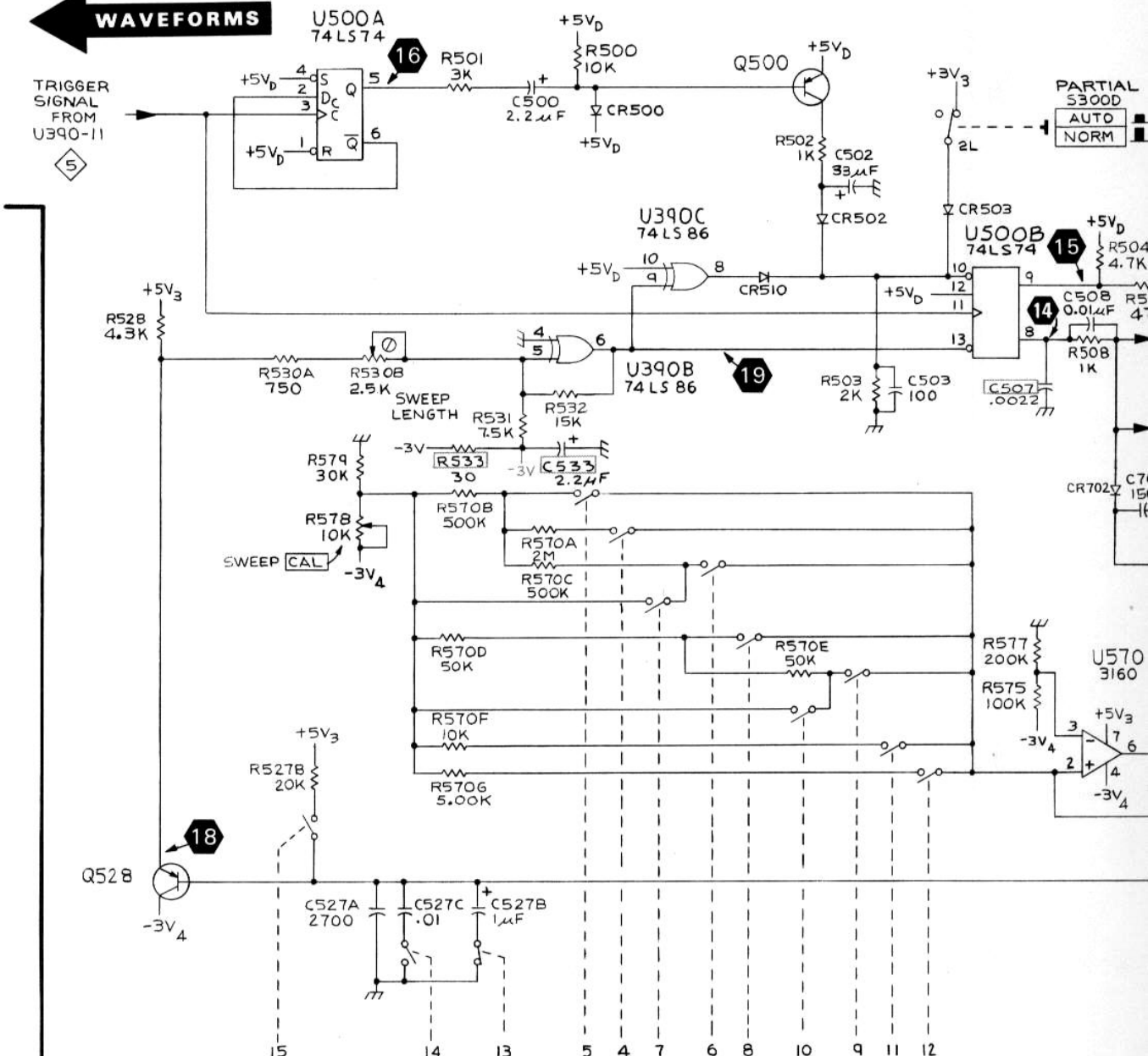
18



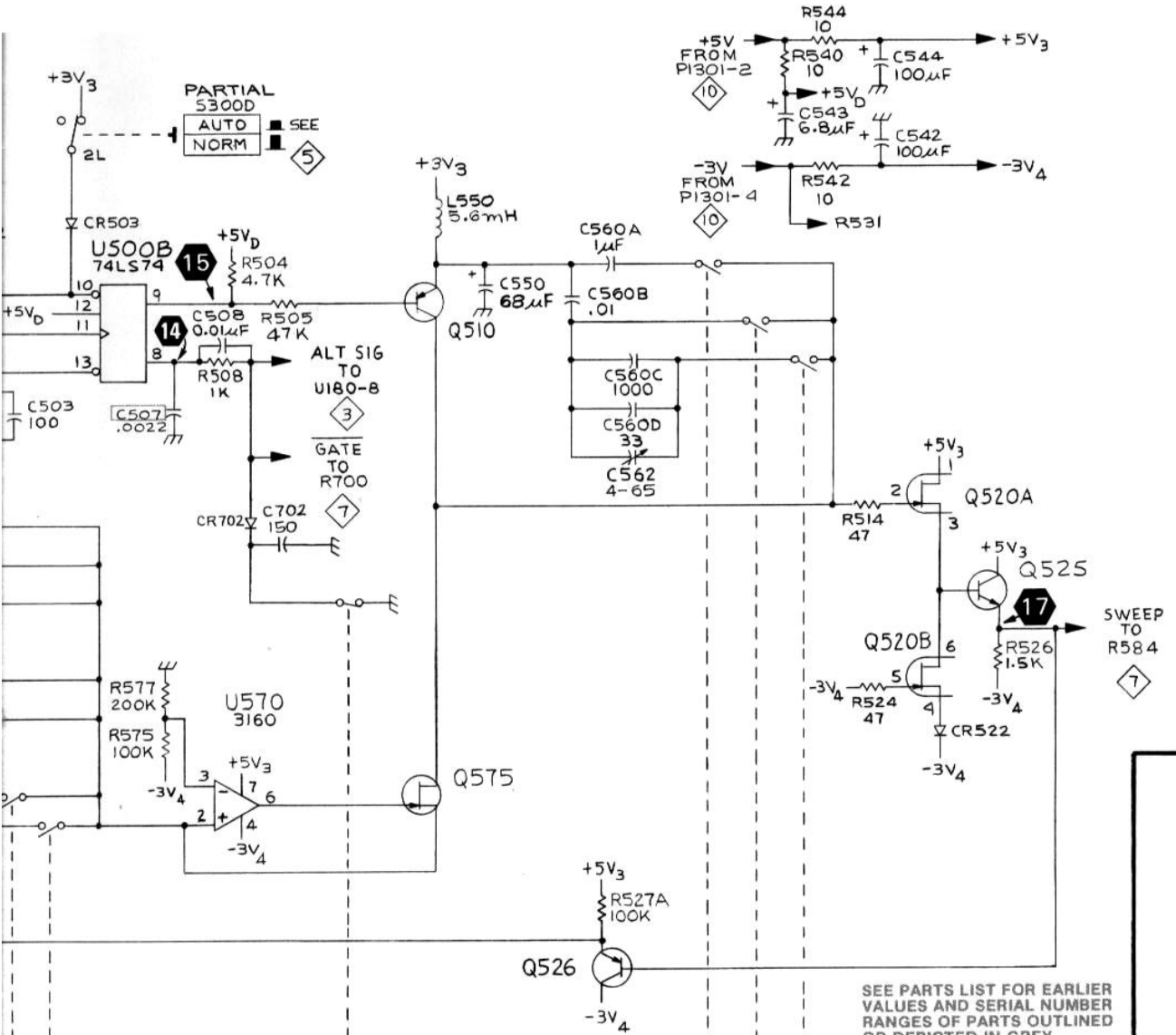
19



**← WAVEFORMS**

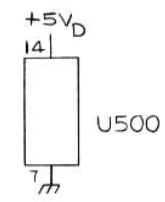
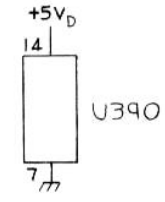


SEE **7** SEC/DIV SHOWN PARTIAL S3000 X-Y POSIT



11	12	19	1	2	3

SEE PARTS LIST FOR EARLIER VALUES AND SERIAL NUMBER RANGES OF PARTS OUTLINED OR DEPICTED IN GREY.



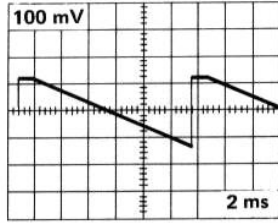
SEE 7 PARTIAL 5370 SHOWN IN X-Y POSITION

PARTIAL A1 MAIN BOARD

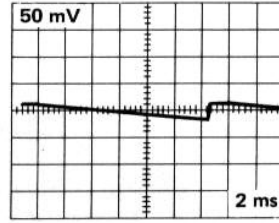


NOTE: Waveforms conditions are listed on diagram 1.

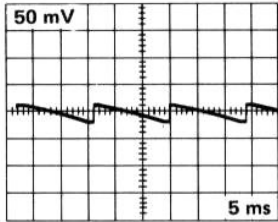
20



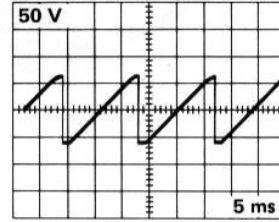
21



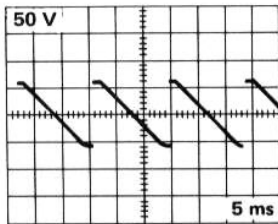
22



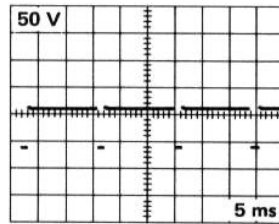
23

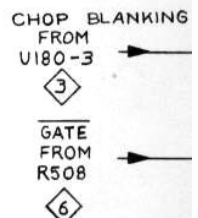
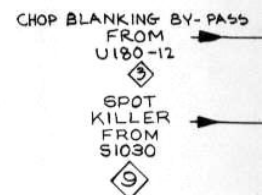
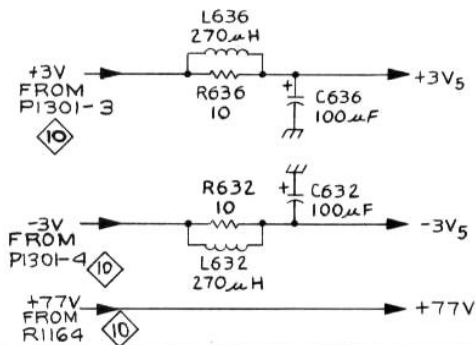
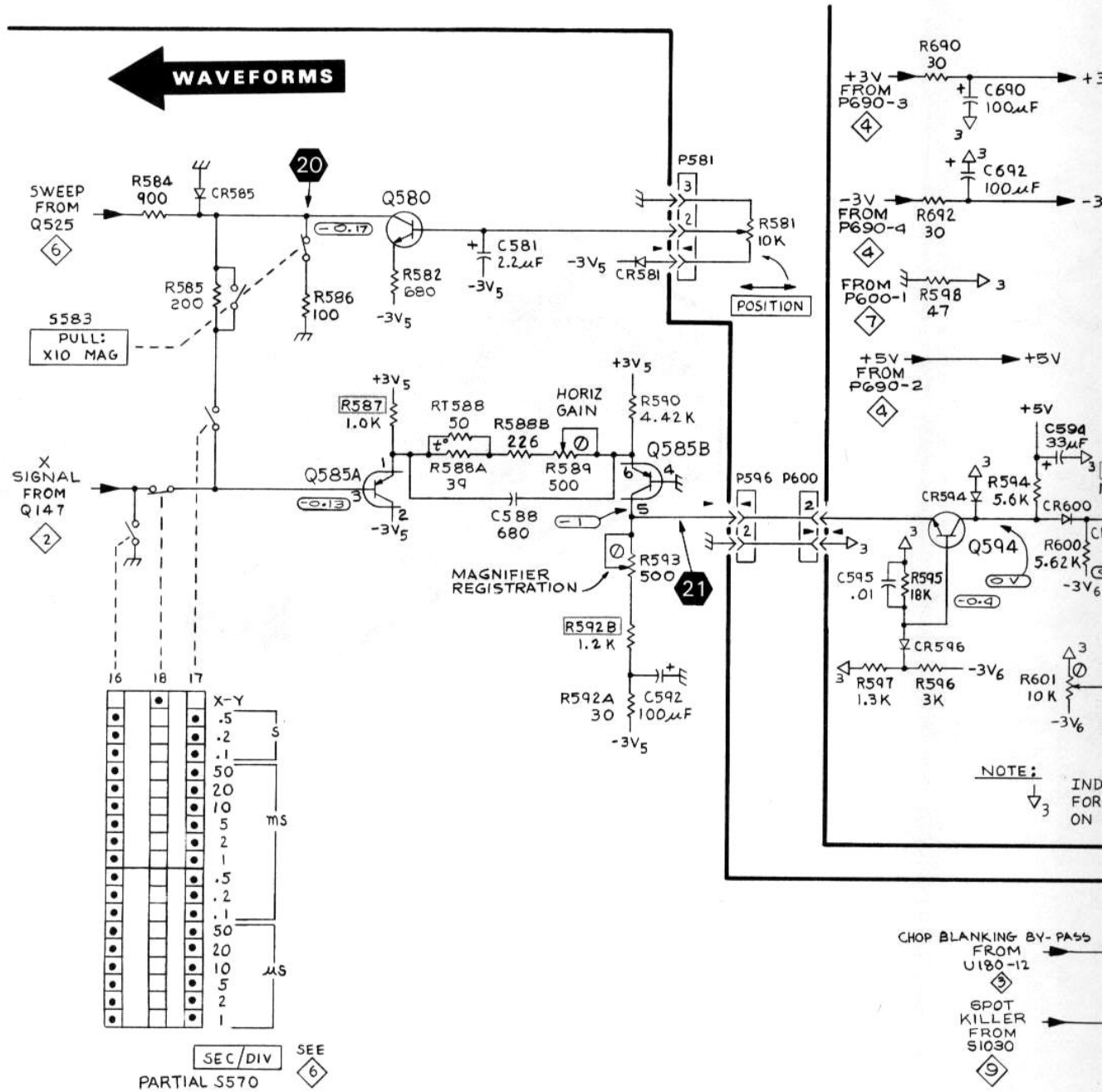


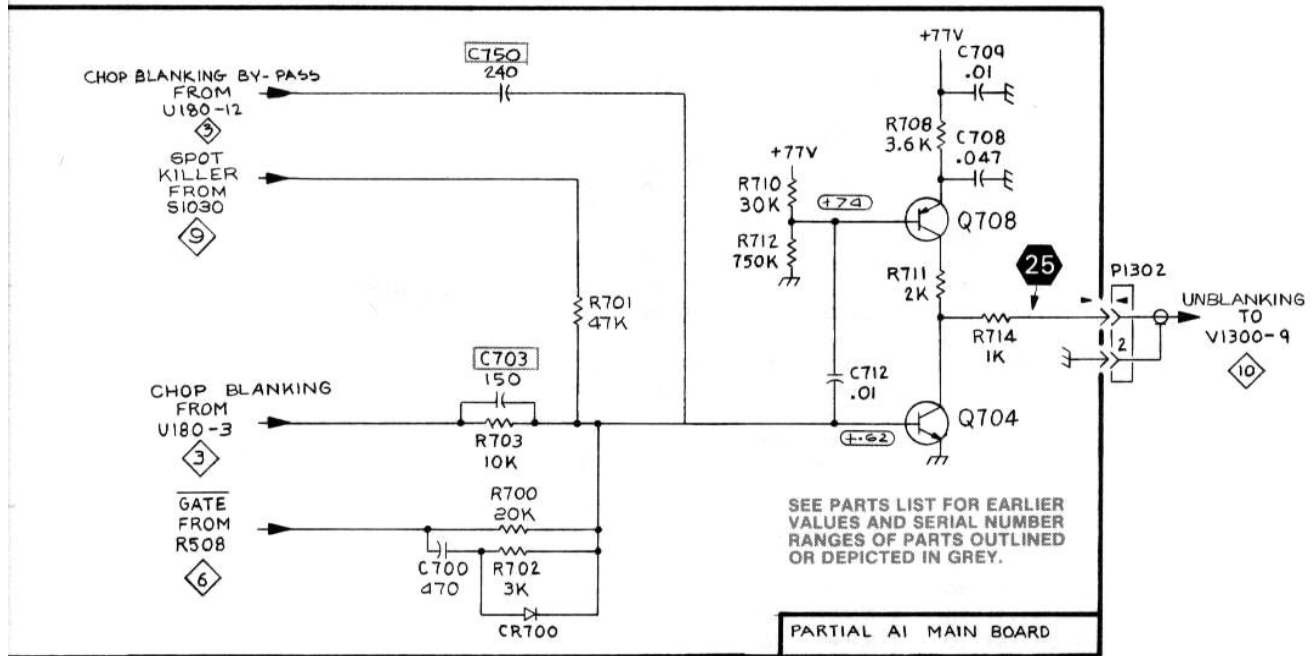
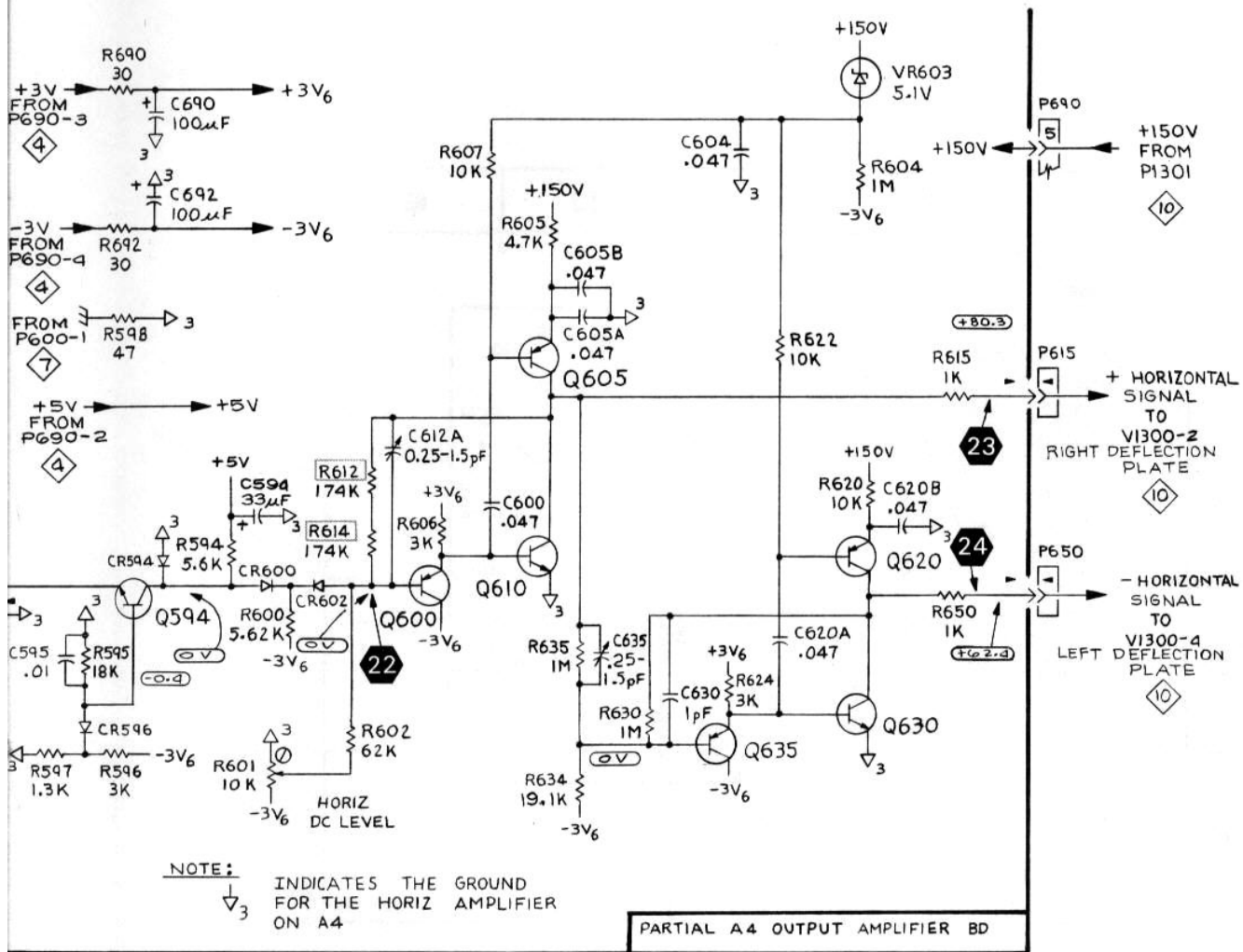
24

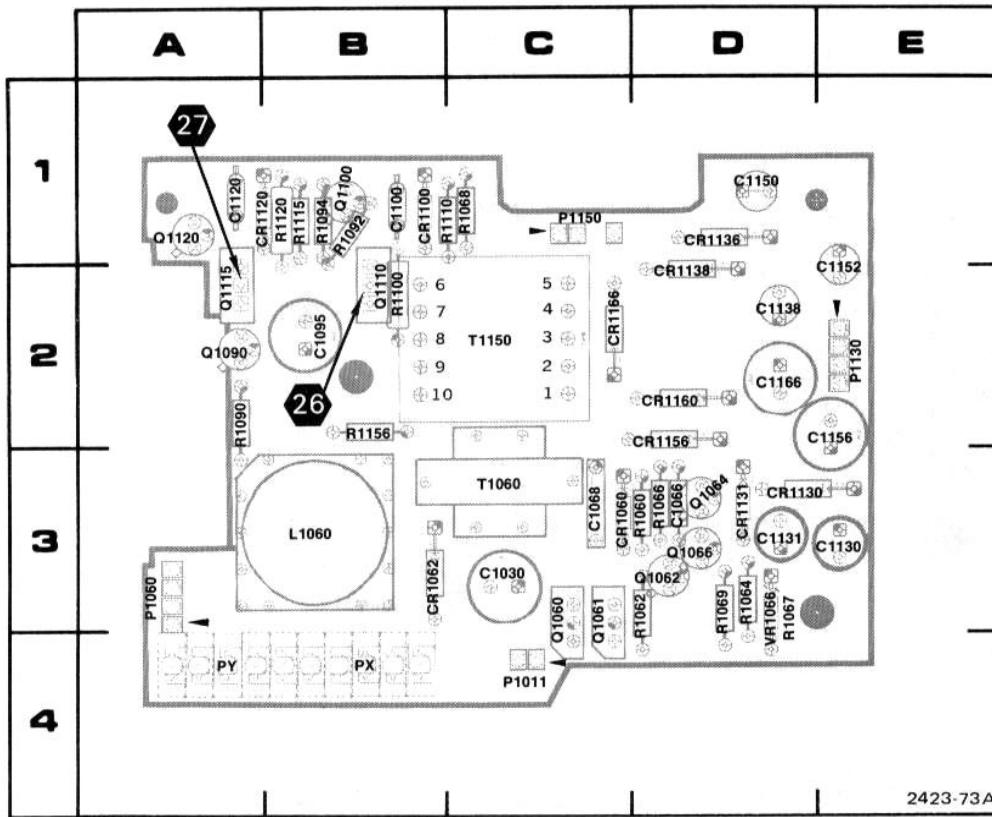


25









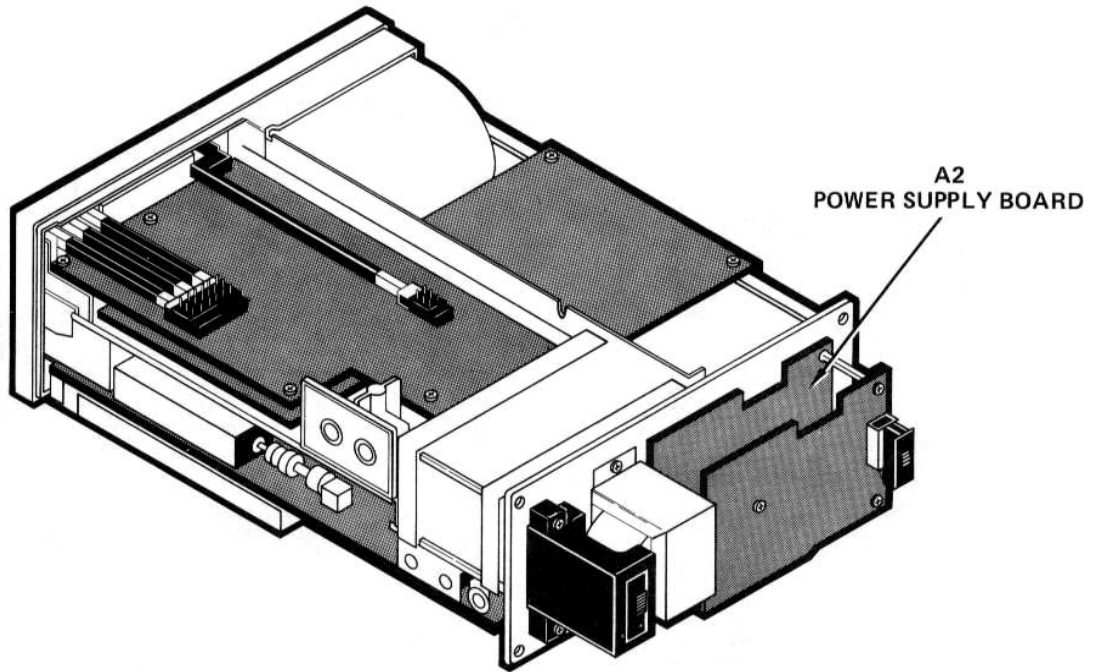
2423-73A

Figure 8-9. A2 power supply board.

CKT NO	GRID LOC	CKT NO	GRID LOC	CRT NO	GRID LOC
C1030	3C	L1060	3B	R1090	2A
C1066	3D			R1092	1B
C1068	3C	P1011	4C	R1094	1B
C1095	2B	P1060	3A	R1100	2B
C1100	1B	P1130	2E	R1110	1B
C1120	1A	P1150	1C	R1115	1B
C1130	3E			R1120	1B
C1131	3D	Q1060	3C	R1156	2B
C1138	2D	Q1061	3C		
C1150	1D	Q1062	3D	T1060	3C
C1152	1E	Q1064	3D	T1150	2C
C1156	2E	Q1066	3D		
C1166	2D	Q1090	2A		
		Q1100	1B	VR1066	4D
		Q1110	2B		
CR1060	3C	Q1115	2A		
CR1062	3B	Q1120	1A		
CR1100	1B				
CR1120	1B	R1062	4D		
CR1130	3D	R1062	3D		
CR1131	3D	R1064	3D		
CR1136	1D	R1066	3D		
CR1138	2D	R1067	4D		
CR1156	2D	R1068	1C		
CR1160	2D	R1069	4D		
CR1166	2C				

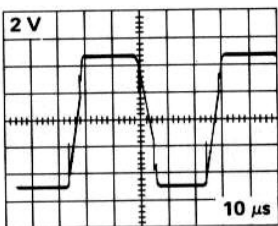


A2 POWER SUPPLY

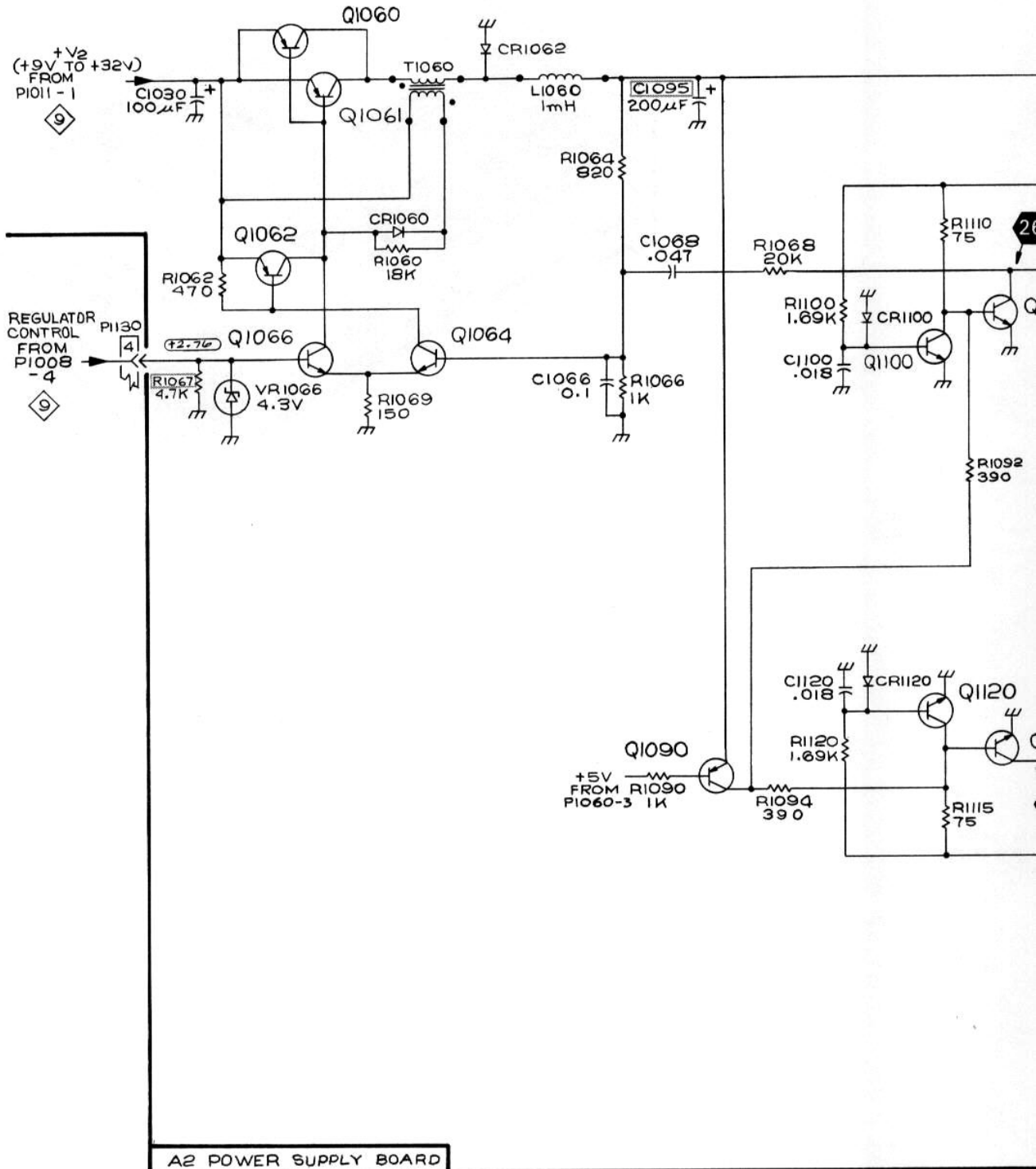


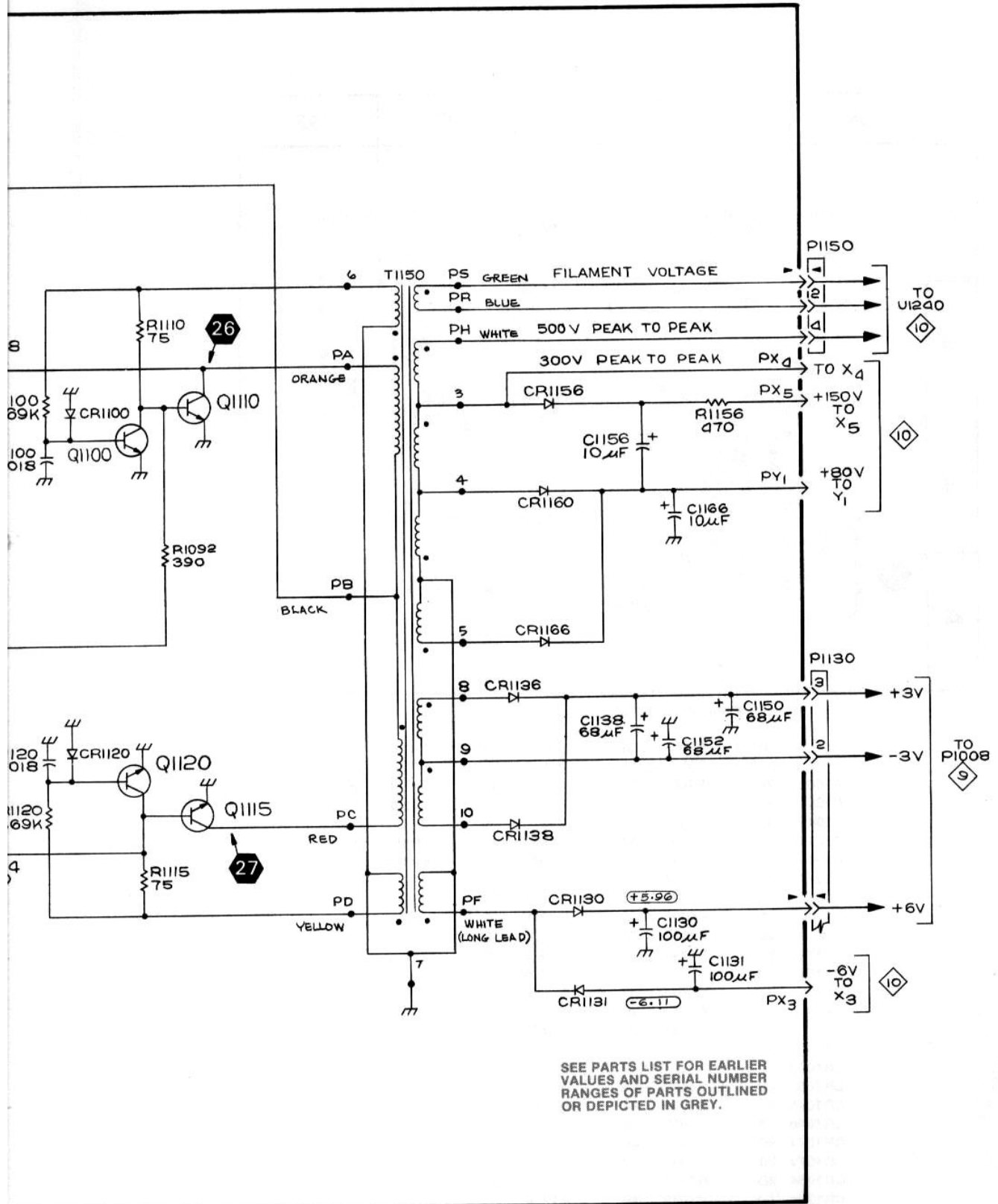
NOTE: Waveforms conditions are listed on diagram 



**← WAVEFORMS**





SEE PARTS LIST FOR EARLIER  
VALUES AND SERIAL NUMBER  
RANGES OF PARTS OUTLINED  
OR DEPICTED IN GREY.



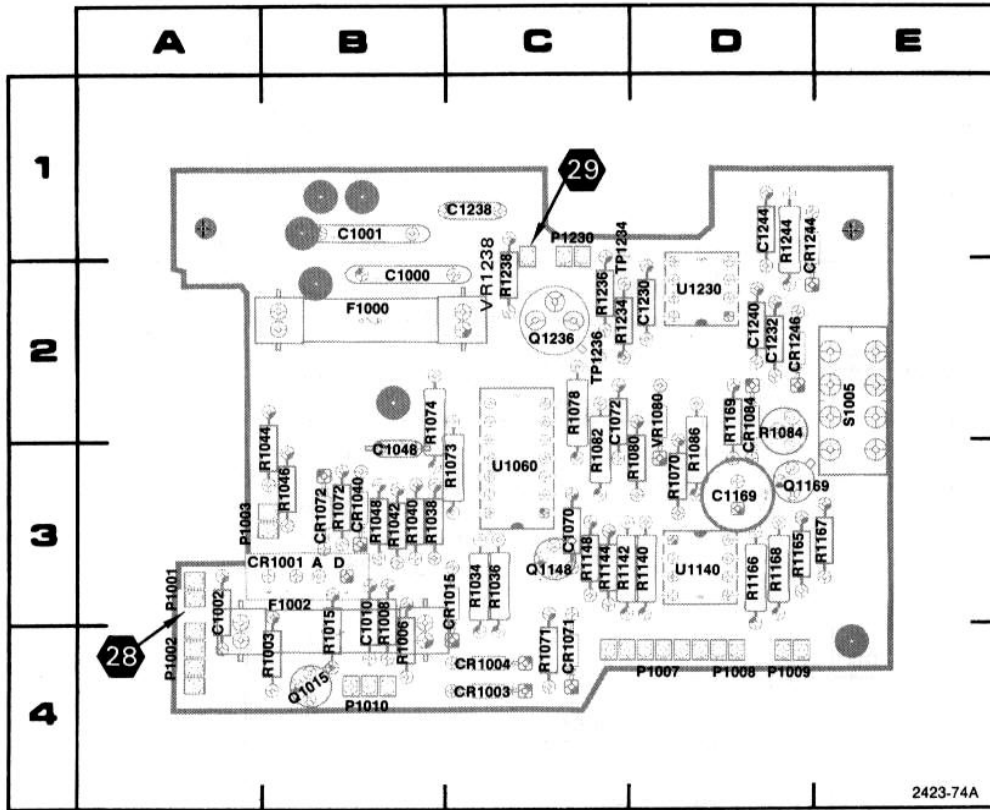
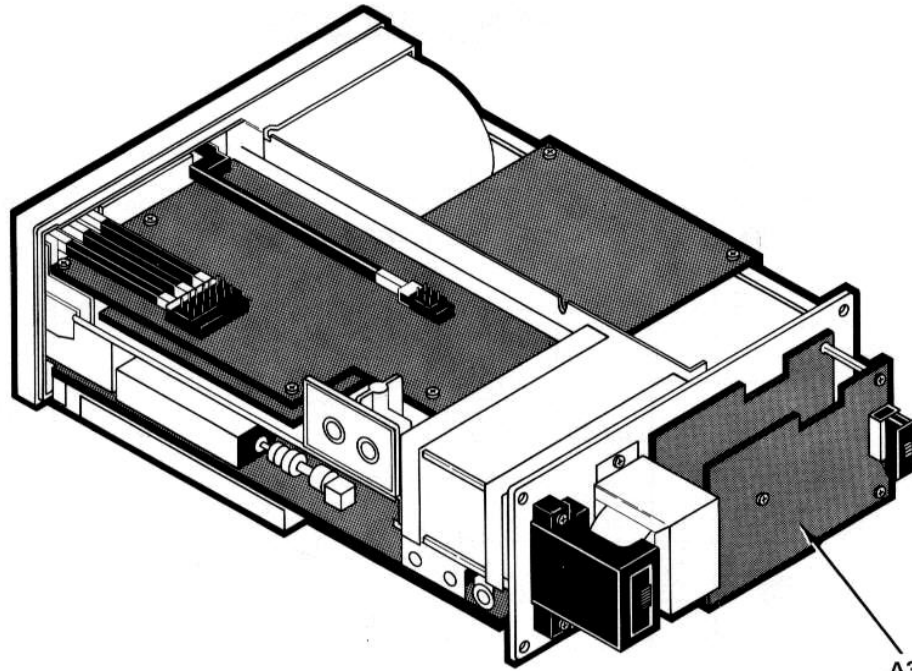


Figure 8-10. A3 battery charger board.

CKT NO	GRID LOC	CKT NO	GRID LOC	CKT NO	GRID LOC	CKT NO	GRID LOC
C1000	2B	F1002	3B	R1046	3B	U1140	3D
C1001	1B			R1048	3B	U1230	2D
C1002	3A	P1001	3A	R1070	3D		
C1010	4B	P1002	4A	R1071	4C	VR1080	2D
C1048	3B	P1003	3A	R1072	3B	VR1238*	1C
C1070	3C	P1007	4D	R1073	3C		
C1072	2C	P1008	4D	R1074	2B		
C1169	3D	P1009	4D	R1078	2C		
C1230	2D	P1010	4B	R1080	3D		
C1232	2D	P1230	1C	R1082	3C		
C1238	1C			R1084	2D		
C1240	2D	Q1015	4B	R1086	3D		
C1244	1D	Q1148	3C	R1140	3D		
		Q1169	3D	R1142	3C		
		Q1236	2C	R1144	3C		
CR1001	3B			R1166	3D		
CR1003	4C	R1003	4B	R1165	3D		
CR1004	4C	R1006	4B	R1167	3E		
CR1015	3C	R1008	4B	R1168	3D		
CR1040	3B	R1015	4B	R1169	2D		
CR1071	4C	R1034	3C	R1234	2C		
CR1072	3B	R1036	3C	R1236	2C		
CR1084	2D	R1038	3B	R1238	2C		
CR1244	1D	R1040	3B	R1244	1D		
CR1246	2D	R1042	3B				
		R1044	3B	U1060	3C		
F1000	2B						

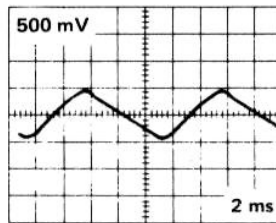
\*See Parts List for serial number ranges.

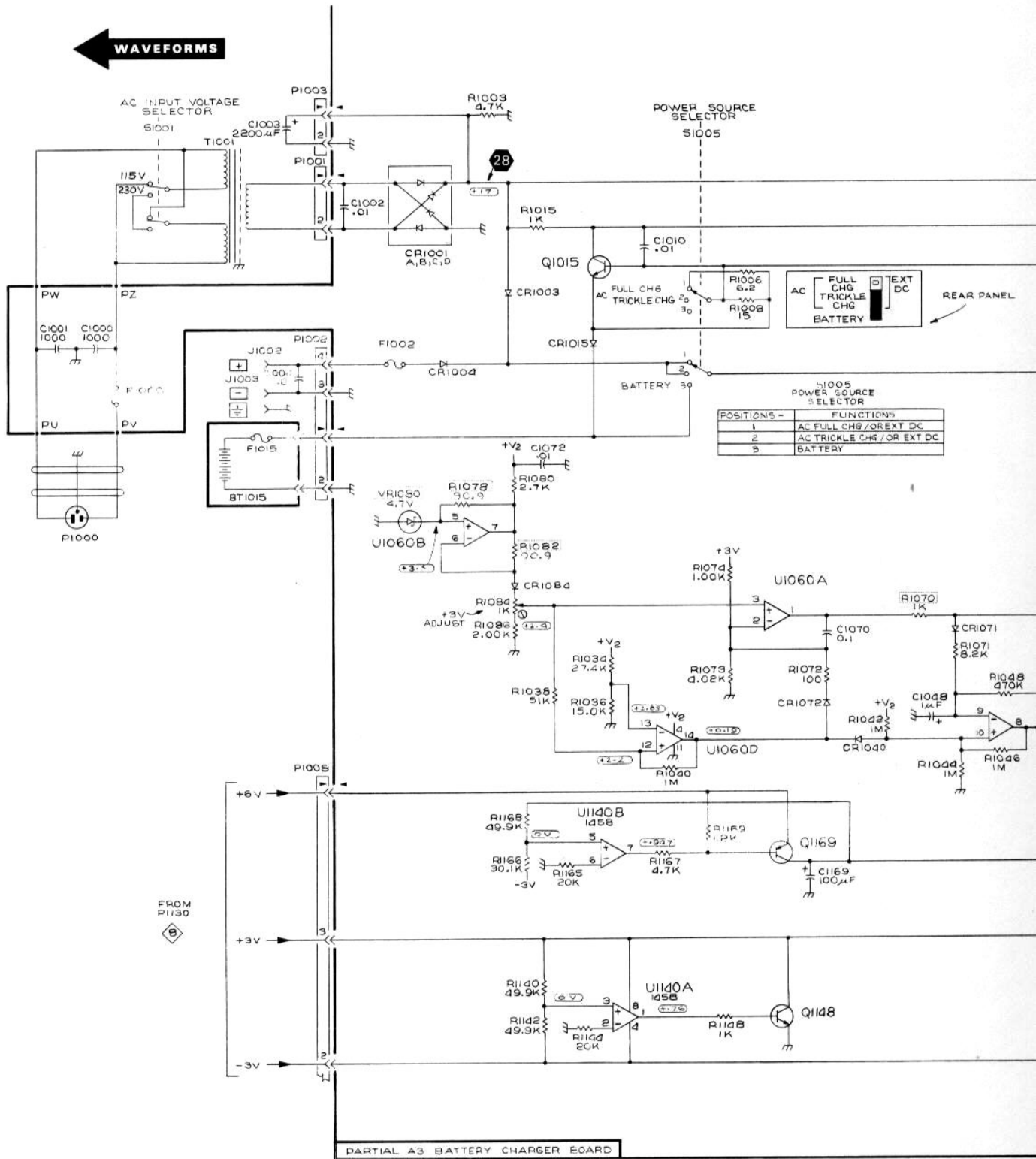


A3  
BATTERY CHARGER  
BOARD

NOTE: Waveforms conditions are listed on diagram 1.

28

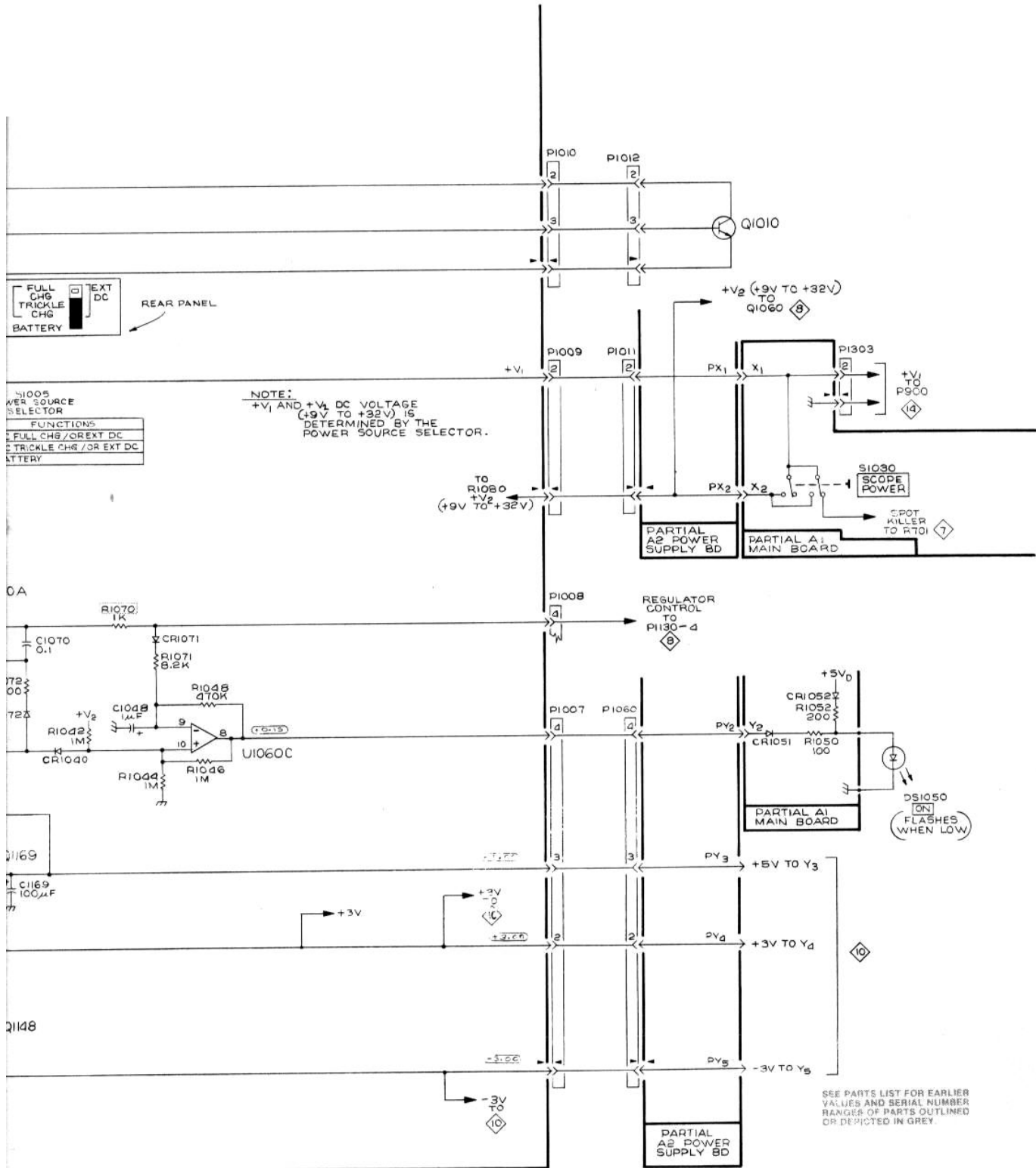




POWER SOURCE SELECTOR

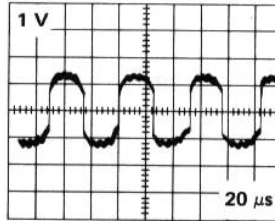
POSITIONS -	FUNCTIONS
1	AC FULL CHG / OR EXT DC
2	AC TRICKLE CHG / OR EXT DC
3	BATTERY

PARTIAL A3 BATTERY CHARGER BOARD

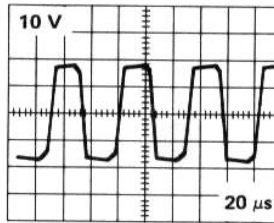


NOTE: Waveforms conditions are listed on diagram 1.

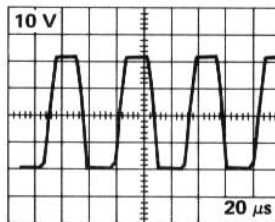
29



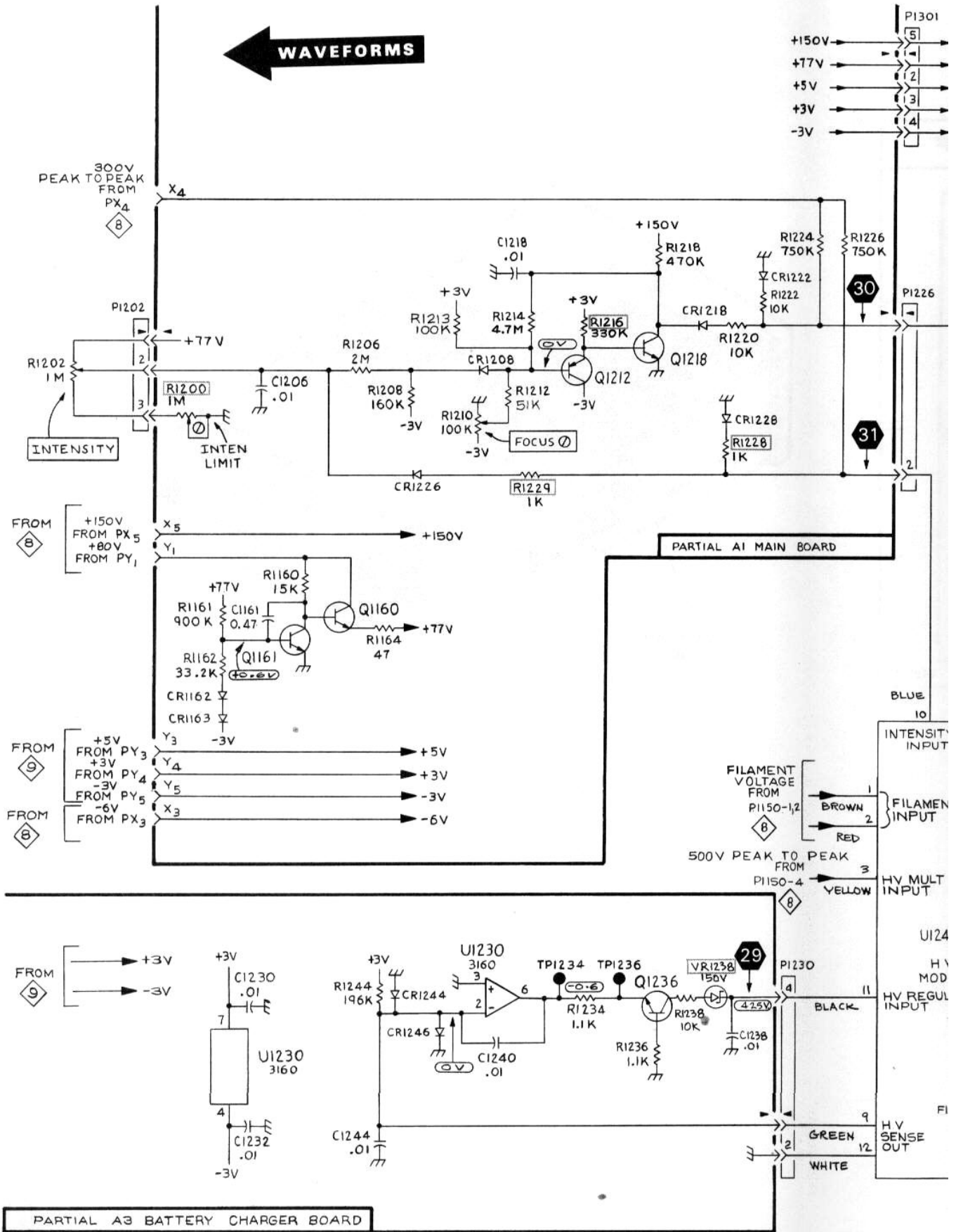
30



31

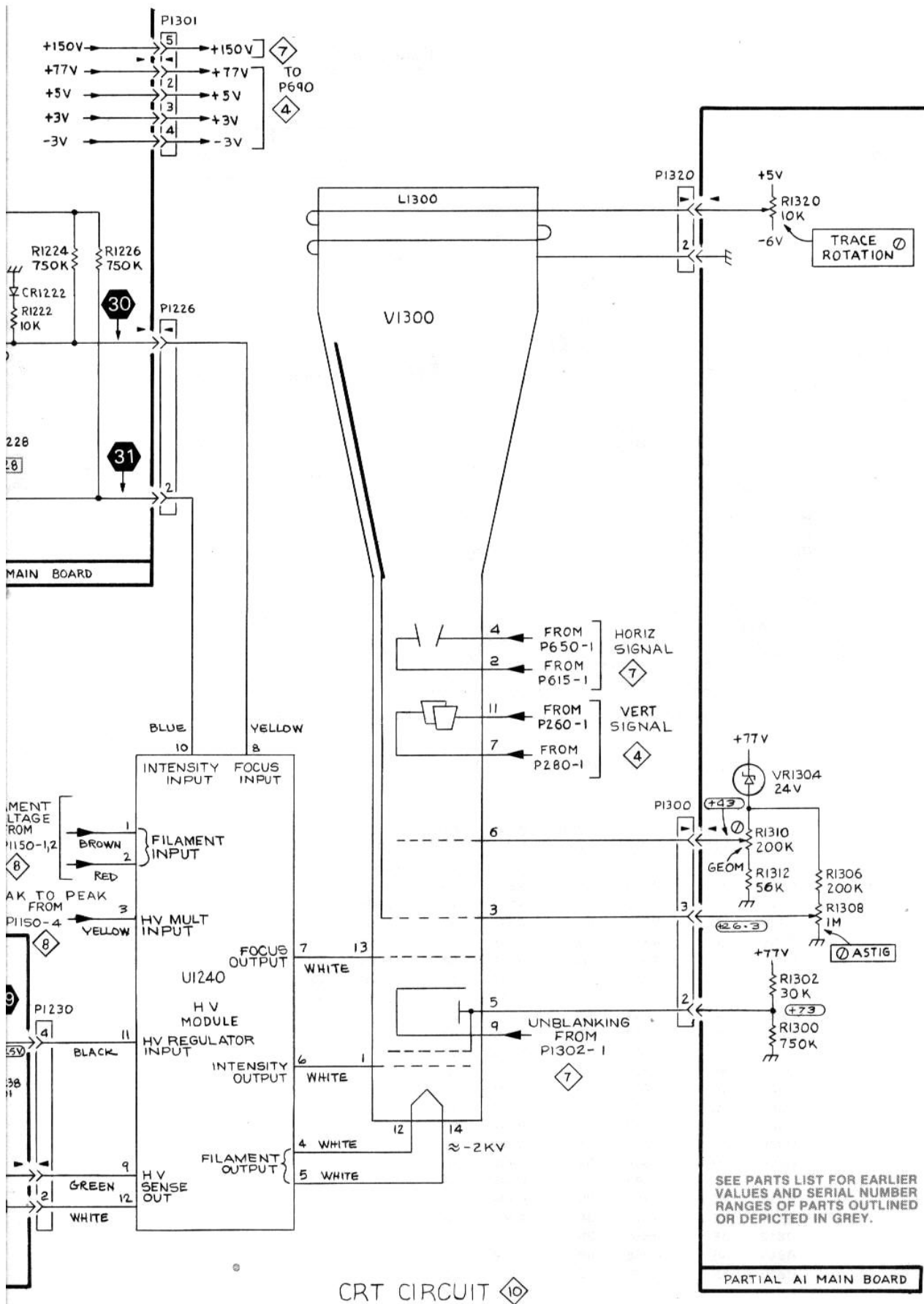


**← WAVEFORMS**



305 DMM OSCILLOSCOPE

REV DEC 1983



CRT CIRCUIT 10

SEE PARTS LIST FOR EARLIER VALUES AND SERIAL NUMBER RANGES OF PARTS OUTLINED OR DEPICTED IN GREY.

PARTIAL A1 MAIN BOARD

CRT CIRCUIT 10



Figure 8-11B

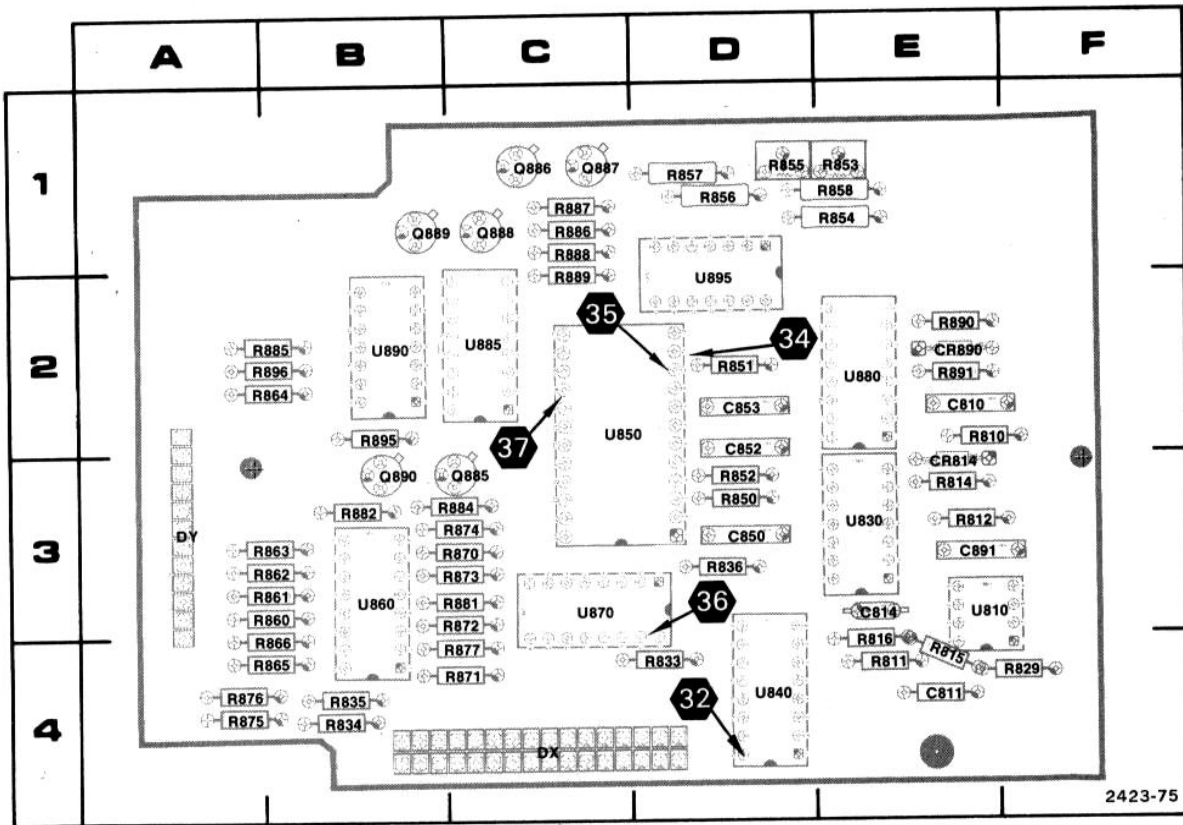
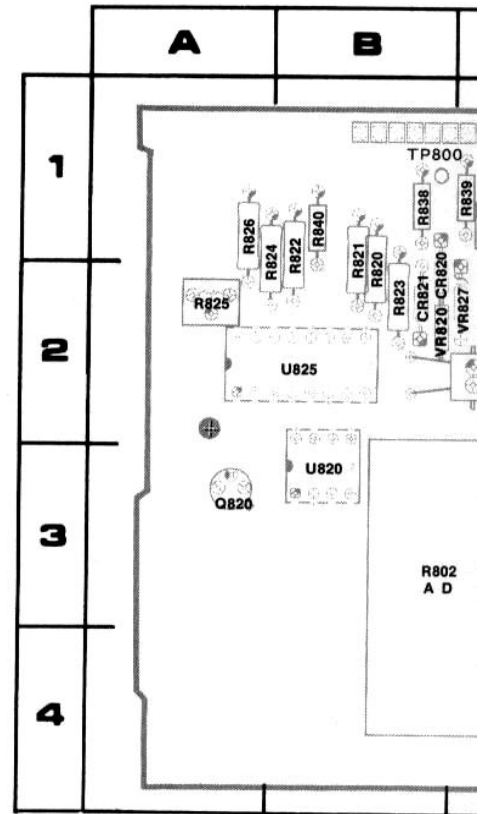
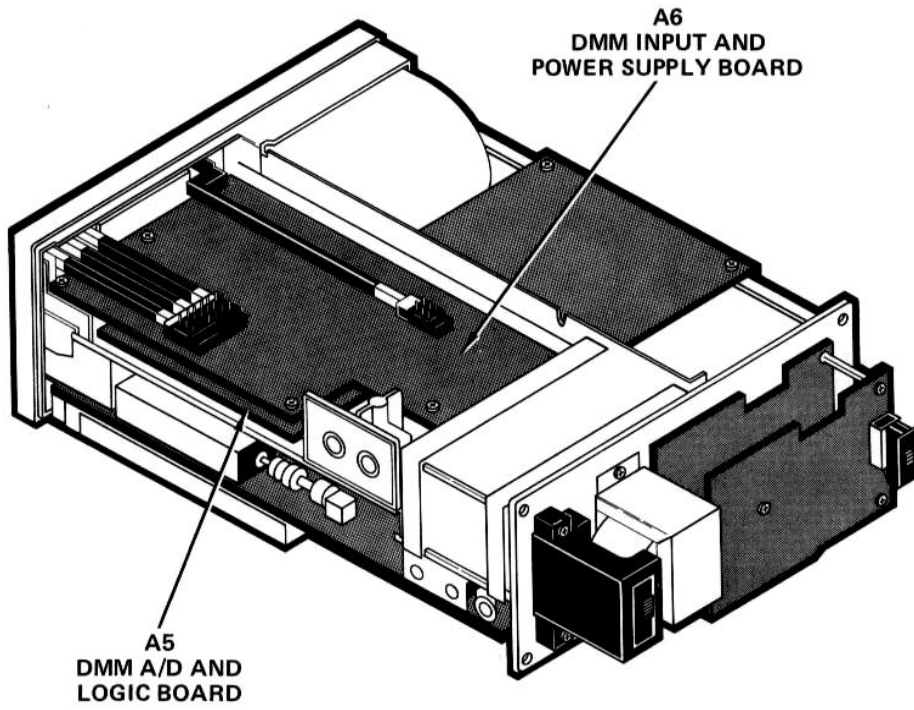


Figure 8-11A. A5 DMM A/D and logic board.

CKT NO	GRID LOC	CKT NO	GRID LOC	CRT NO	GRID LOC	CRT NO	GRID LOC
C810	2E	R816	4E	R870	3C	U840	4D
C811	4E	R829	4F	R871	4C	U850	2C
C814	3E	R832	3D	R872	3C	U860	3B
C850	3D	R833	4D	R873	3C	U870	3C
C852	2D	R834	4B	R874	3C	U880	2E
C853	2D	R835	4B	R875	4A	U885	2C
C891	3E	R836	3D	R876	4A	U890	2B
		R850	3D	R877	4C	U895	2D
CR814	3E	R851	2D	R881	3C		
CR890	2E	R852	3D	R882	3B		
		R853	1E	R884	3C		
Q885	3C	R854	1E	R885	2B		
Q886	1C	R855	1D	R886	1C		
Q887	1C	R856	1D	R887	1C		
Q888	1C	R857	1D	R888	1C		
Q889	1B	R858	1E	R889	2C		
Q890	3B	R860	3B	R890	2E		
		R861	3B	R891	2E		
R810	2E	R862	3B	R895	2B		
R811	4E	R863	3B	R896	2B		
R812	3E	R864	2B				
R814	3E	R865	4B	U810	3E		
R815	4E	R866	4B	U830	3E		



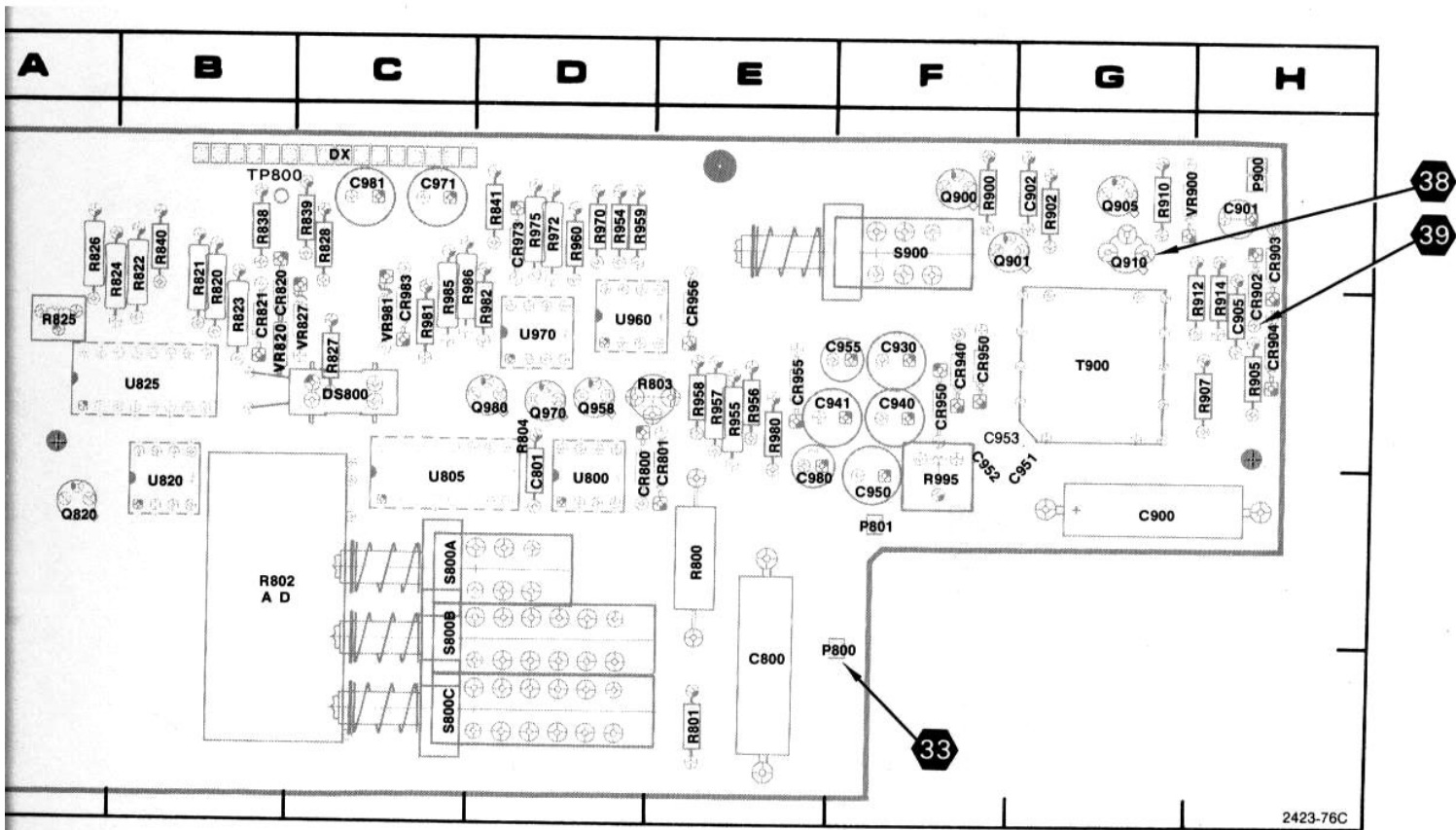


Figure 8-11B. A6 DMM input and power supply board.

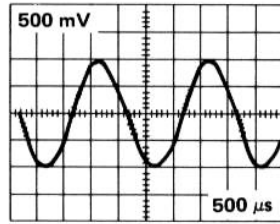
CKT NO	GRID LOC	CKT NO	GRID LOC	CKT NO	GRID LOC	CKT NO	GRID LOC	CKT NO	GRID LOC
C800	4E	CR950	2F	R805*	†	R958	2E	VR820*	2B
C801	3D	CR955	2E	R820	2B	R959	1D	VR827	2C
C802*†	4C	CR956	2F	R821	1B	R960	1D	VR900	1G
C900	3G	CR973	1D	R822	1B	R970	1D	VR981	2C
C901	1H	CR983	2C	R823	2B	R972	1D		
C902	1G			R824	1B	R975	1D		
C905	2H	DS800	2C	R825	2A	R980	2E		
C930	2F			R826	1A	R981	2C		
C940	2F	P800	4F	R827	2C	R982	2D		
C941	2F	P801	3F	R828	1C	R985	2C		
C950	3F	P900	1H	R838	1B	R986	2C		
C951*	2F			R839	1C	R995	3F		
C952*	2F	Q820	3A	R840	1B				
C953*	2F	Q900	1F	R841	1D	S800A	3C		
C955	2F	Q901	1F	R900	1F	S800B	3C		
C971	1C	Q905	1G	R902	1G	S800C	4C		
C980	3E	Q910	1G	R905	2H	S900	1F		
C981	1C	Q958	2D	R907	2H	T900	2G		
CR800	3D	Q970	2D	R910	1G	TP800	1B		
CR801	2E	Q980	2D	R912	2H	U800	3D		
CR820	2B			R914	2H	U805	3C		
CR821	2B	R800	3E	R954	1D	U820	3B		
CR902	2H	R801	4E	R955	2E	U825	2B		
CR903	1H	R802	3B	R956	2E	U960	2D		
CR904	2H	R803	2E	R957	2E	U970	2D		
CR940	2F	R804	2D						

\*See Parts List for serial number ranges.

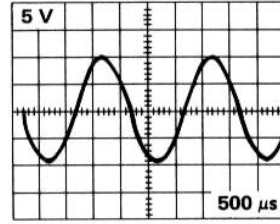
† Located on back of board.

NOTE: Waveforms conditions are listed on diagram 1

**32**

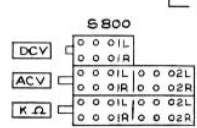


**33**

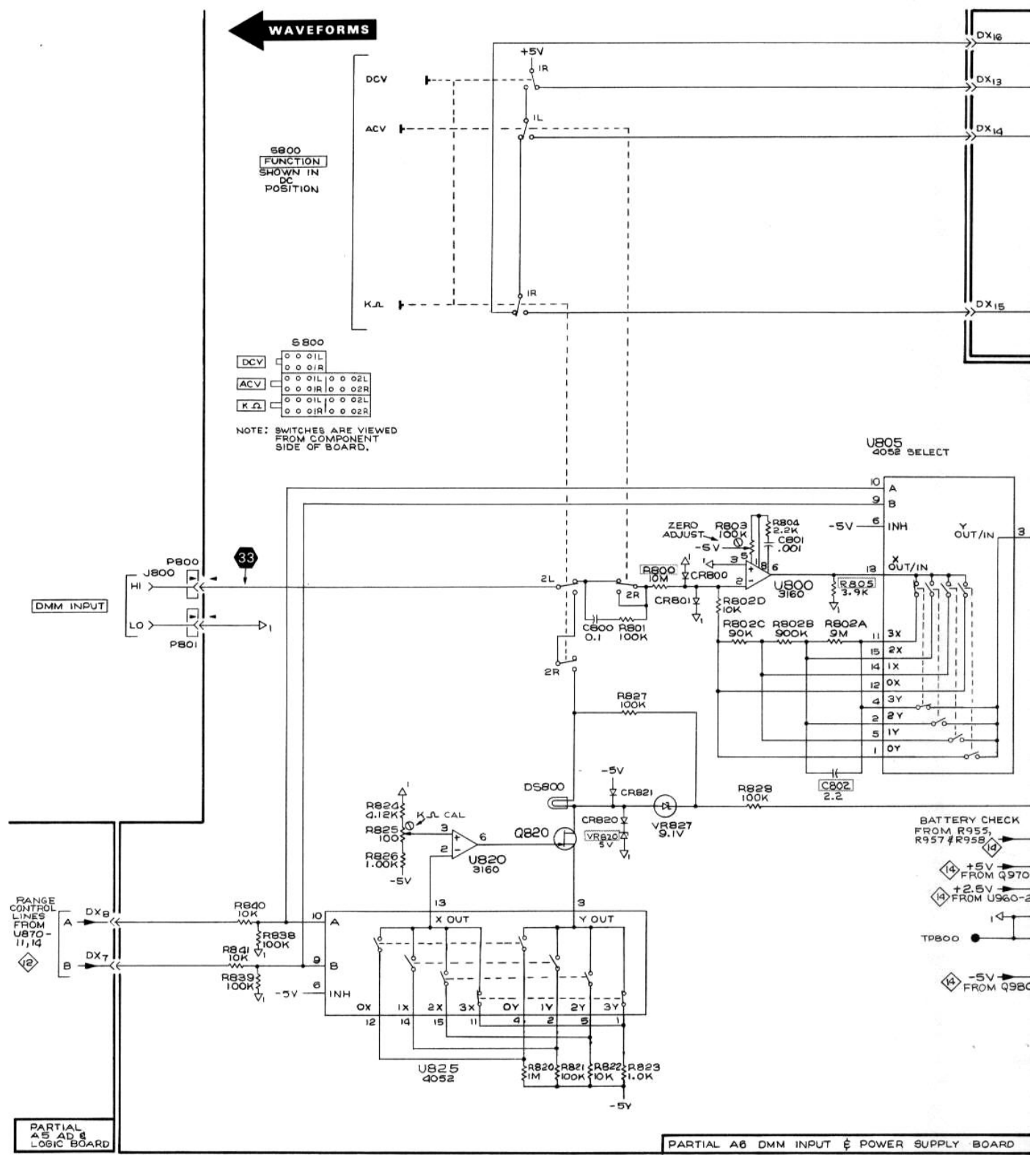


**← WAVEFORMS**

S800  
FUNCTION  
SHOWN IN  
DC  
POSITION

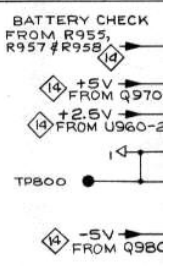


NOTE: SWITCHES ARE VIEWED FROM COMPONENT SIDE OF BOARD.



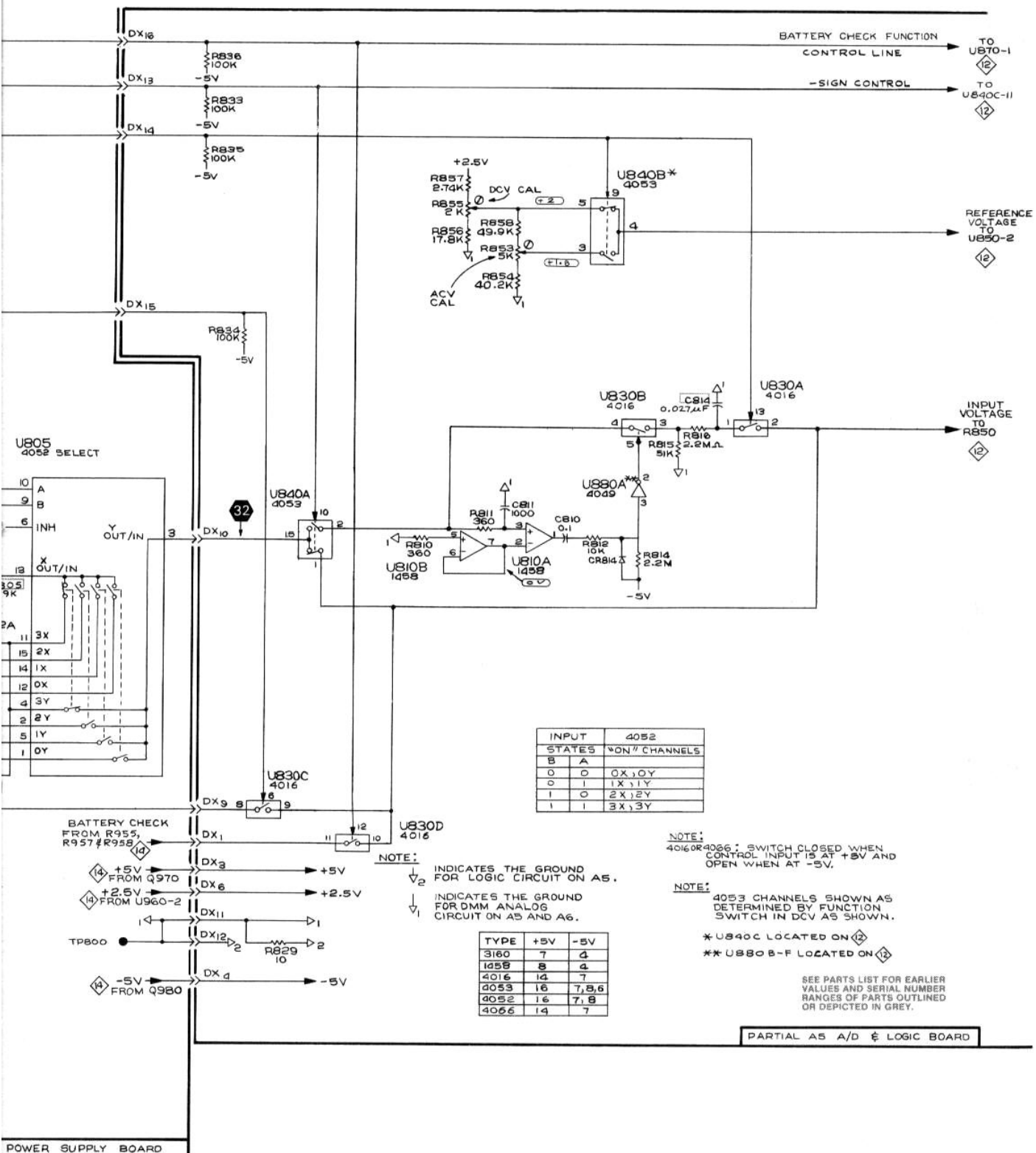
RANGE CONTROL LINES FROM U870-11,14

PARTIAL A5 AD LOGIC BOARD



305 DMM OSCILLOSCOPE

PARTIAL A6 DMM INPUT & POWER SUPPLY BOARD



INPUT STATES	4052	MON CHANNELS
B A		
0 0	0X, 0Y	
0 1	1X, 1Y	
1 0	2X, 2Y	
1 1	3X, 3Y	

TYPE	+5V	-5V
3160	7	4
1458	8	4
4016	14	7
4053	16	7, 8, 6
4052	16	7, 8
4066	14	7

NOTE:  
4016 OR 4066: SWITCH CLOSED WHEN CONTROL INPUT IS AT +5V AND OPEN WHEN AT -5V.

NOTE:  
4053 CHANNELS SHOWN AS DETERMINED BY FUNCTION SWITCH IN DCV AS SHOWN.

\* U840C LOCATED ON 12  
\*\* U880B-F LOCATED ON 12

SEE PARTS LIST FOR EARLIER VALUES AND SERIAL NUMBER RANGES OF PARTS OUTLINED OR DEPICTED IN GREY.

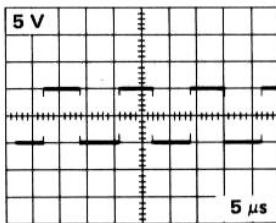
PARTIAL A5 A/D & LOGIC BOARD

REV DEC 1983

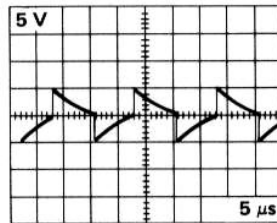
DMM INPUT 11

NOTE: Waveforms conditions are listed on diagram 1.

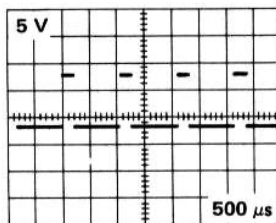
34



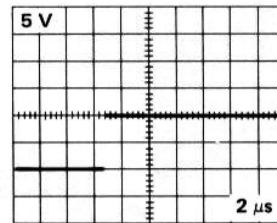
35

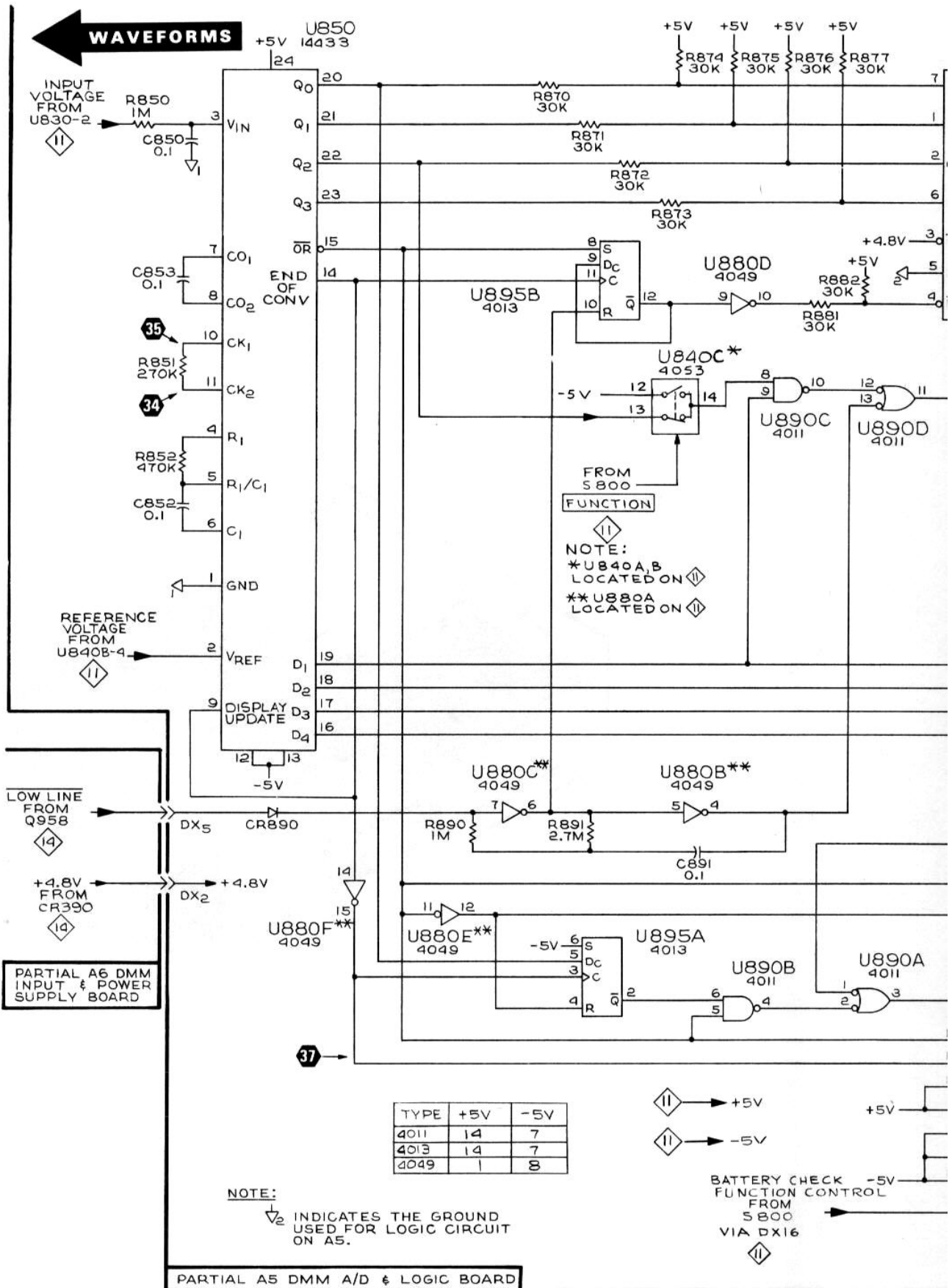


36

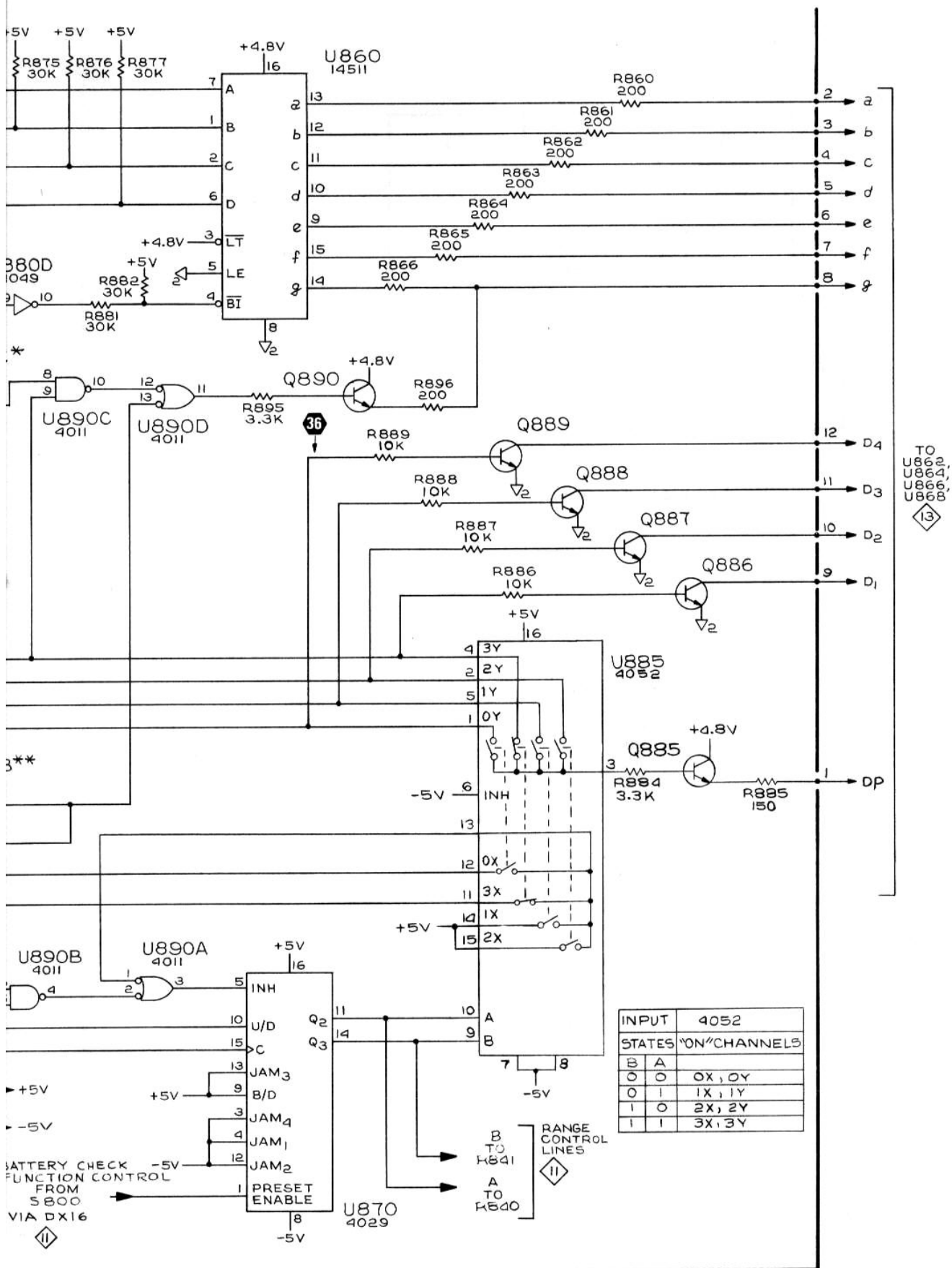


37









REV A AUG 1979

DMM A/D CONVERTER

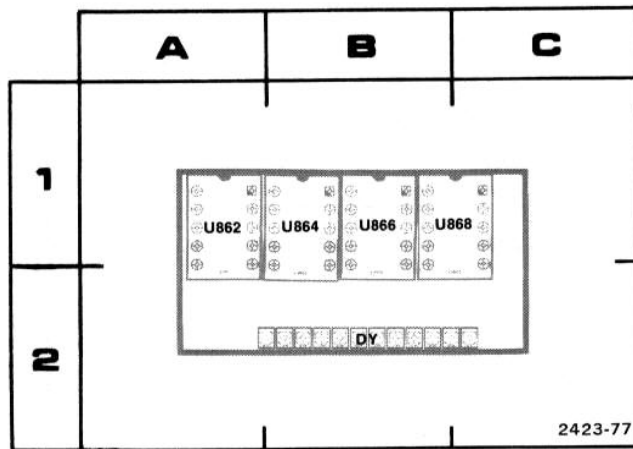
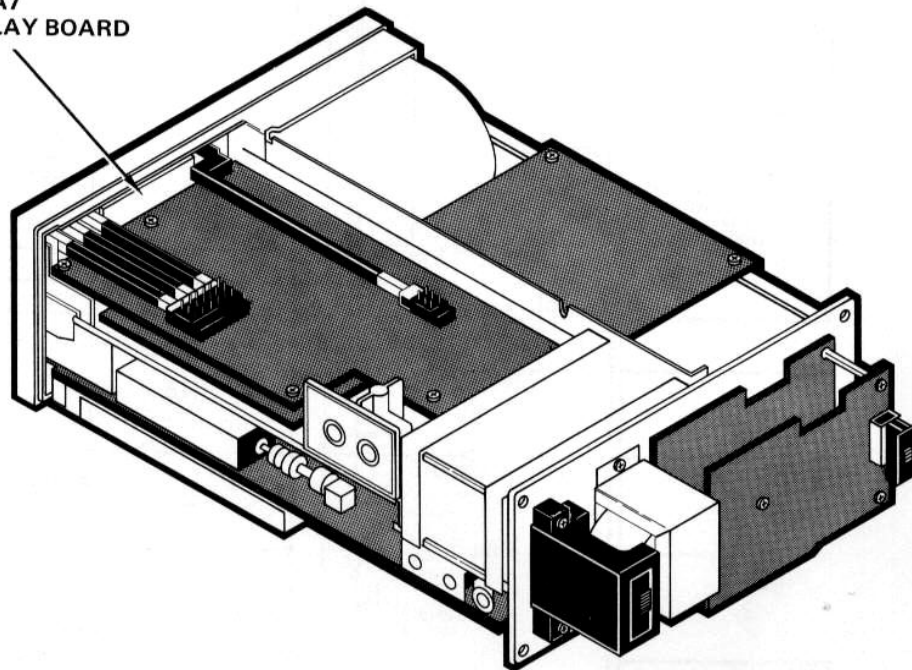


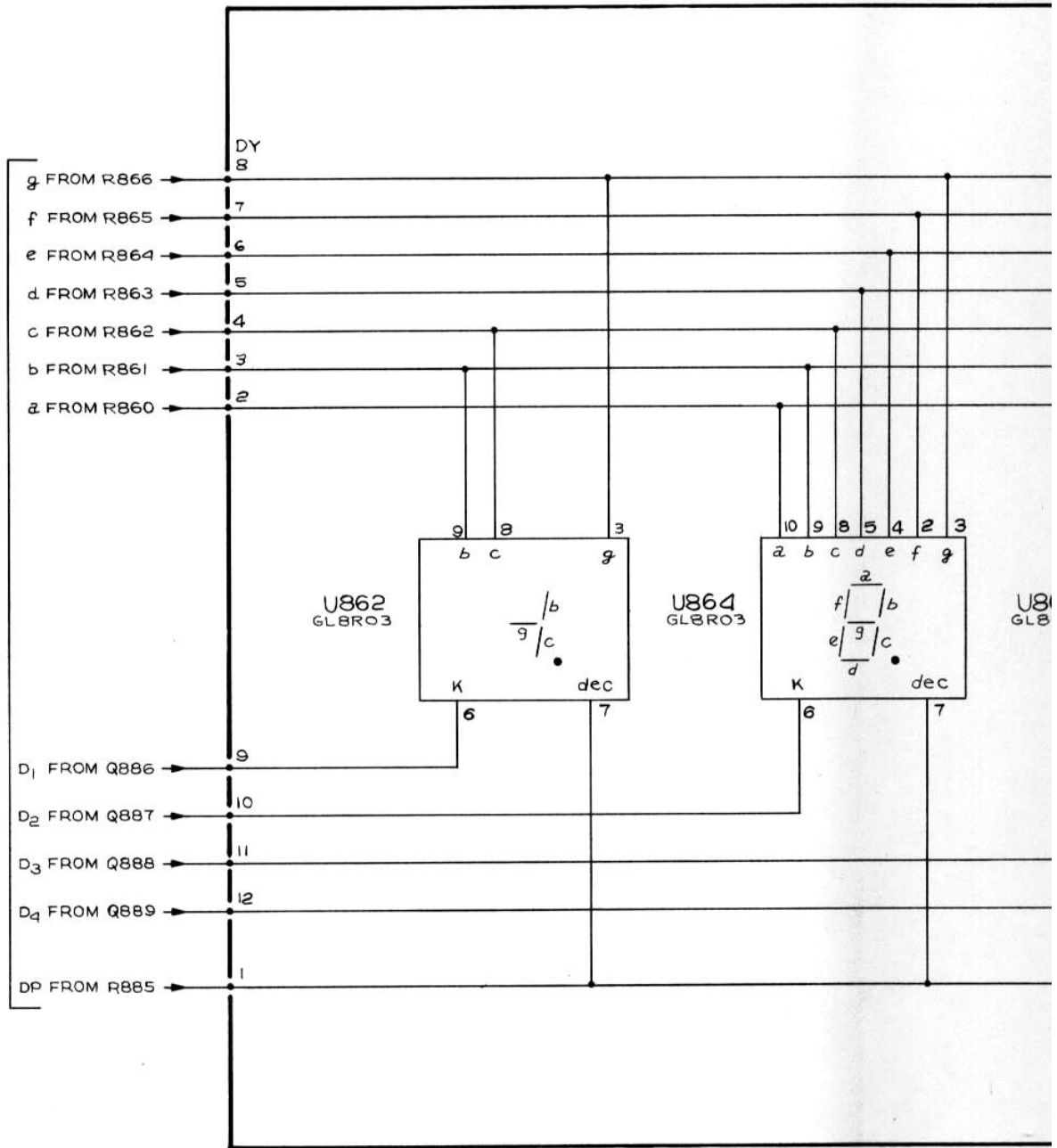
Figure 8-12. A7 LED display board.

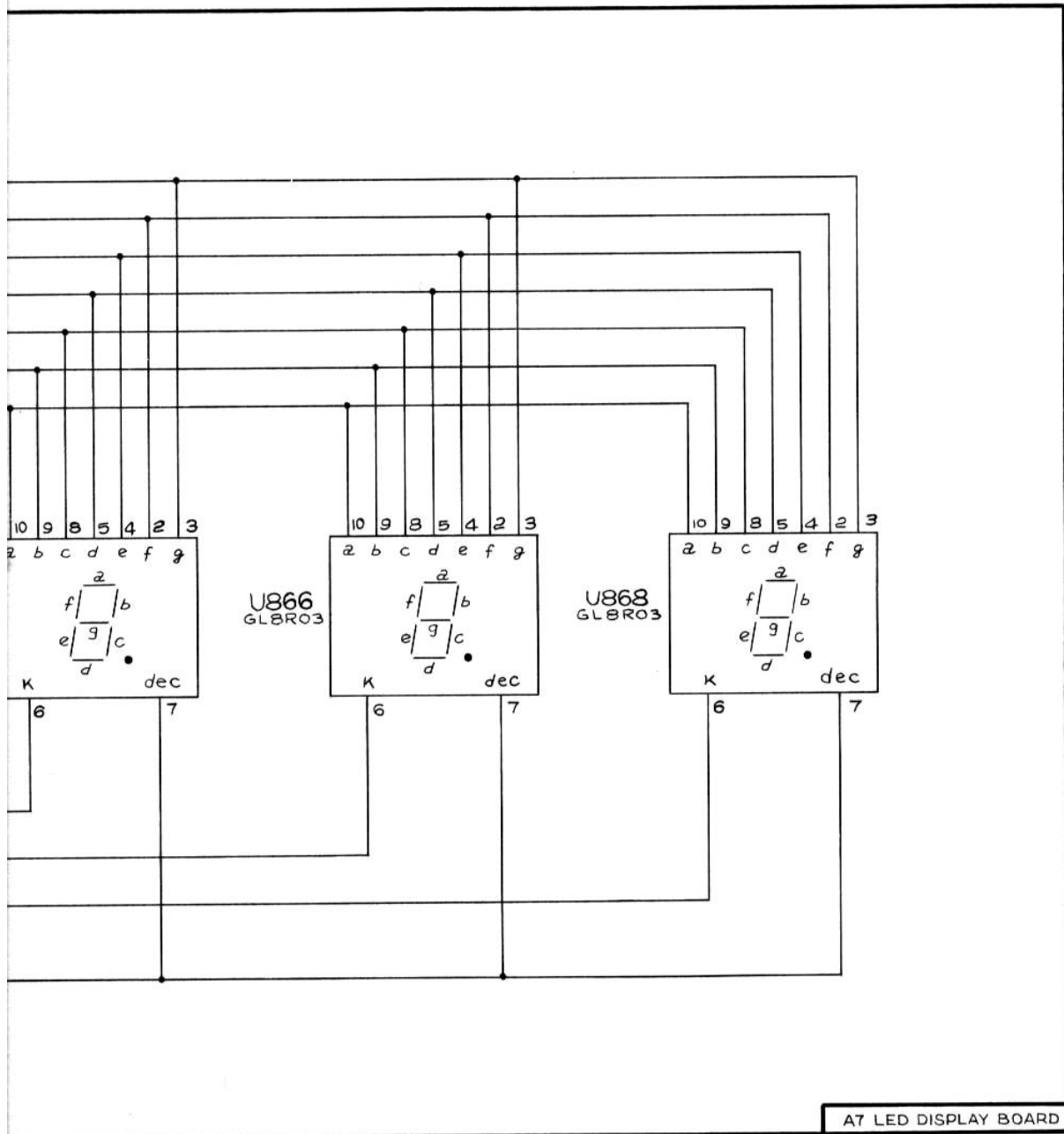
CRT NO	GRID LOC
U862	1A
U864	1B
U866	1B
U868	1C

A7  
LED DISPLAY BOARD



12



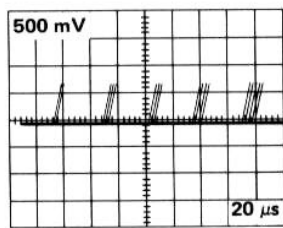


REV A AUG 1979

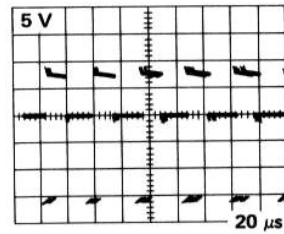
DISPLAY  $\diamond$  13

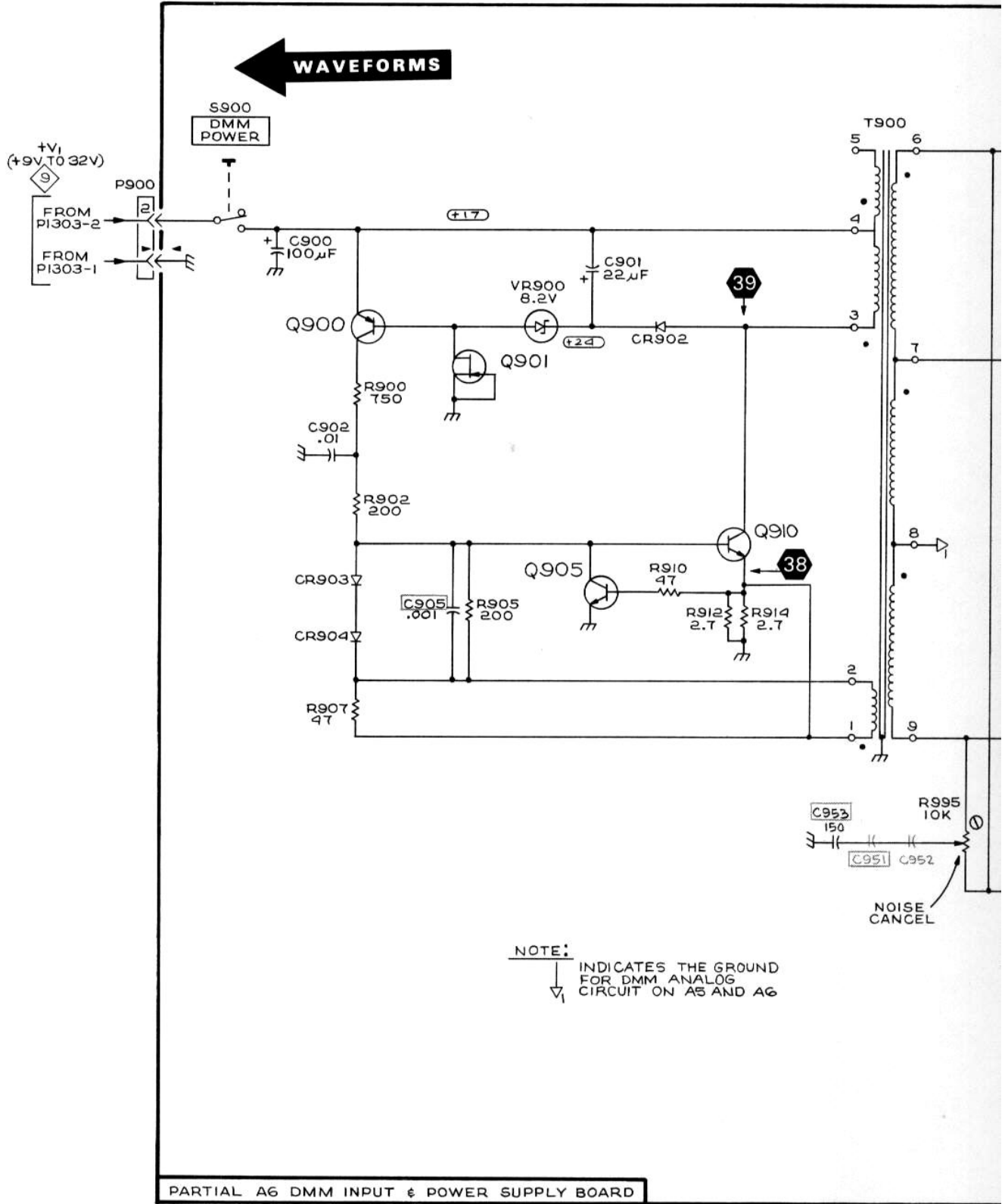
NOTE: Waveforms conditions are listed on diagram 

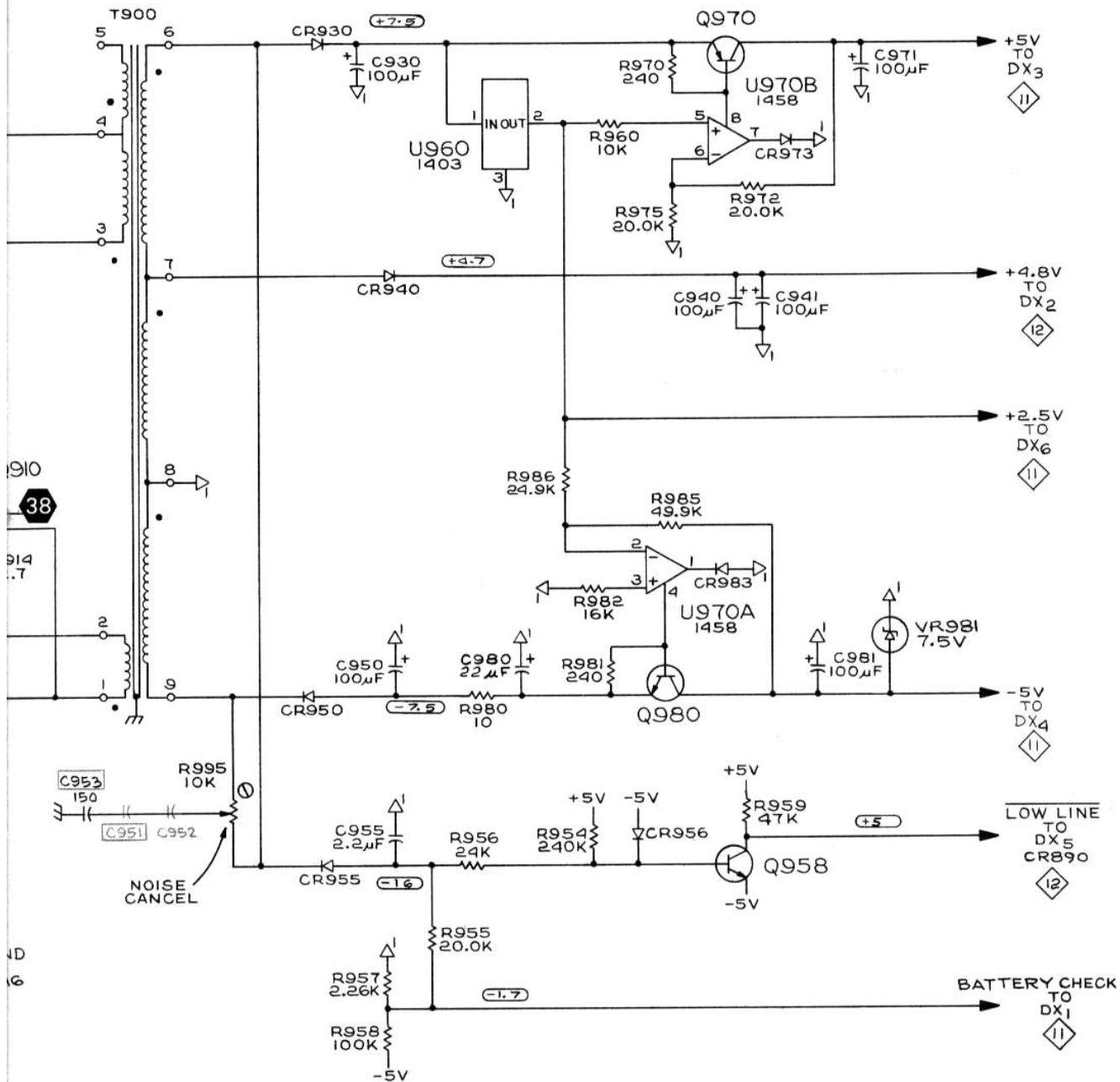
38



39

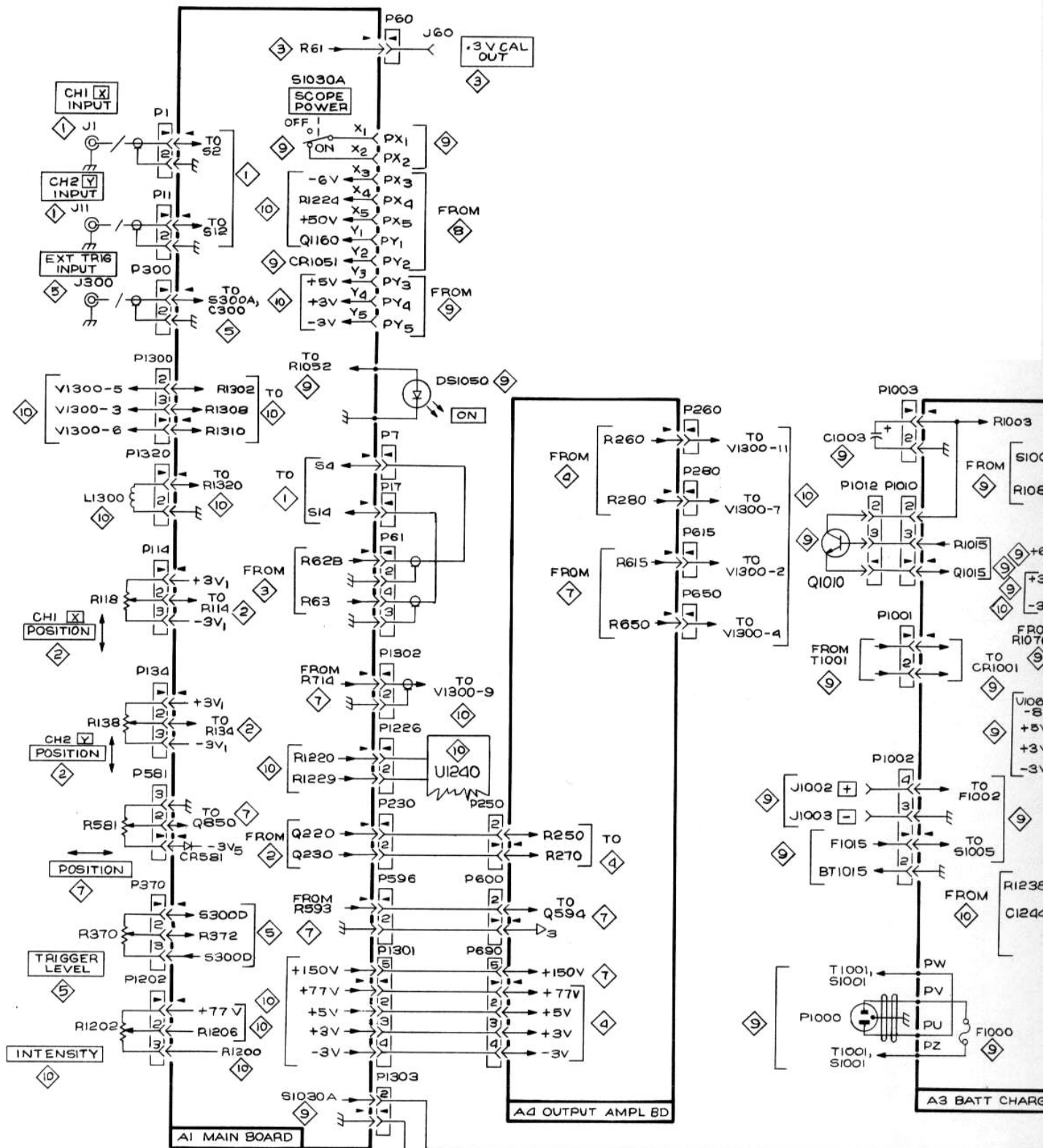


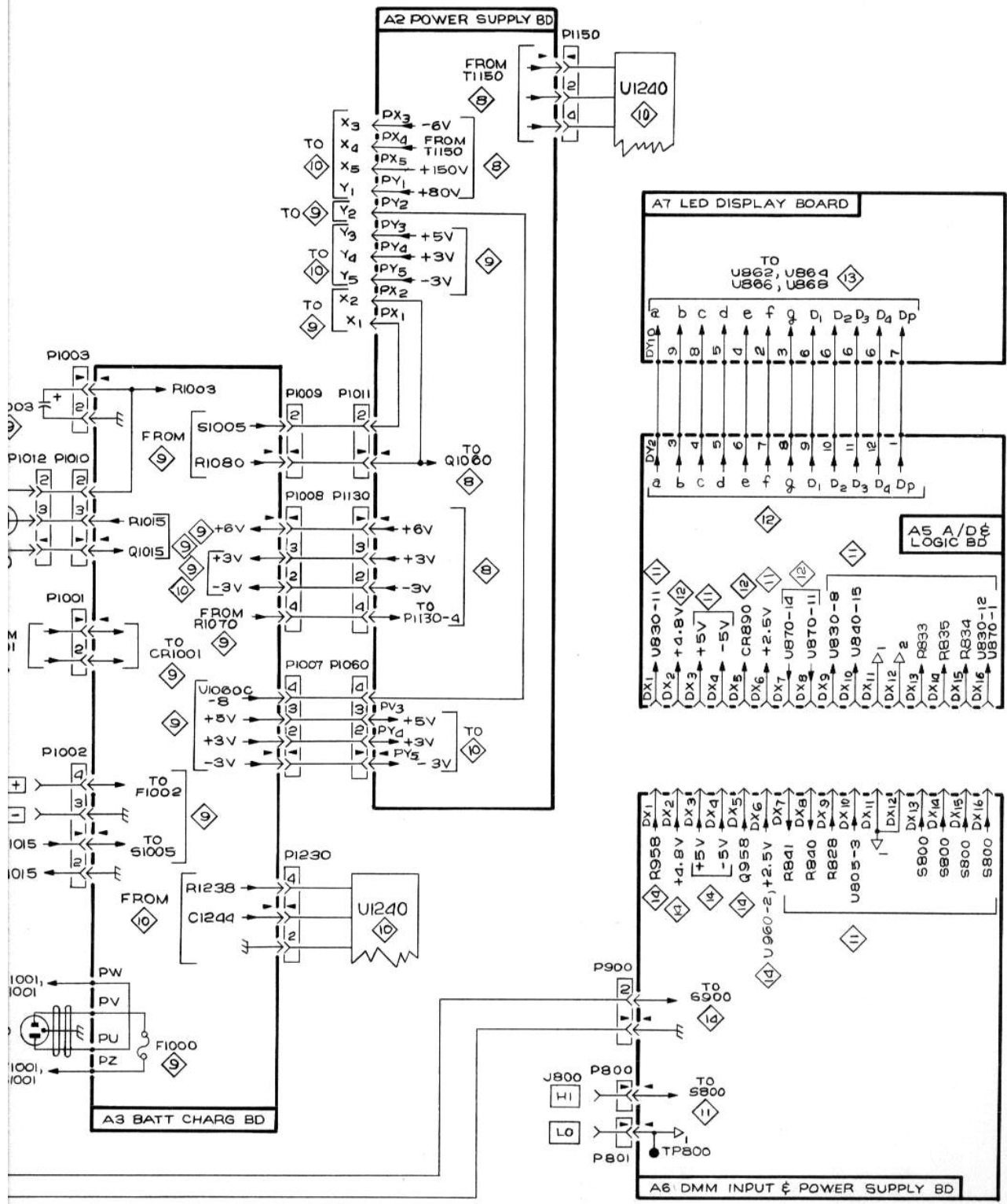




SEE PARTS LIST FOR EARLIER  
VALUES AND SERIAL NUMBER  
RANGES OF PARTS OUTLINED  
OR DEPICTED IN GREY.







V A. AUG 1979

CIRCUIT BOARD INTERCONNECTIONS 15

INTERCONNECTIONS

# REPLACEABLE MECHANICAL PARTS

## PARTS ORDERING INFORMATION

Replacement parts are available from or through your local Tektronix, Inc. Field Office or representative.

Changes to Tektronix instruments are sometimes made to accommodate improved components as they become available, and to give you the benefit of the latest circuit improvements developed in our engineering department. It is therefore important, when ordering parts, to include the following information in your order: Part number, instrument type or number, serial number, and modification number if applicable.

If a part you have ordered has been replaced with a new or improved part, your local Tektronix, Inc. Field Office or representative will contact you concerning any change in part number.

Change information, if any, is located at the rear of this manual.

## SPECIAL NOTES AND SYMBOLS

X000 Part first added at this serial number  
00X Part removed after this serial number

## FIGURE AND INDEX NUMBERS

Items in this section are referenced by figure and index numbers to the illustrations.

## INDENTATION SYSTEM

This mechanical parts list is indented to indicate item relationships. Following is an example of the indentation system used in the description column.

```

1 2 3 4 5      Name & Description
Assembly and/or Component
Attaching parts for Assembly and/or Component
-----
Detail Part of Assembly and/or Component
Attaching parts for Detail Part
-----
Parts of Detail Part
Attaching parts for Parts of Detail Part
-----

```

Attaching Parts always appear in the same indentation as the item it mounts, while the detail parts are indented to the right. Indented items are part of, and included with, the next higher indentation. The separation symbol "----" indicates the end of attaching parts.

**Attaching parts must be purchased separately, unless otherwise specified.**

## ITEM NAME

In the Parts List, an Item Name is separated from the description by a colon (:). Because of space limitations, an Item Name may sometimes appear as incomplete. For further Item Name identification, the U.S. Federal Cataloging Handbook H6-1 can be utilized where possible.

## ABBREVIATIONS

"	INCH	ELCTRN	ELECTRON	IN	INCH	SE	SINGLE END
#	NUMBER SIZE	ELEC	ELECTRICAL	INCAND	INCANDESCENT	SECT	SECTION
ACTR	ACTUATOR	ELCTLT	ELECTROLYTIC	INSUL	INSULATOR	SEMICOND	SEMICONDUCTOR
ADPTR	ADAPTER	ELEM	ELEMENT	INTL	INTERNAL	SHLD	SHIELD
ALIGN	ALIGNMENT	EPL	ELECTRICAL PARTS LIST	LPHLDR	LAMPHOLDER	SHLDR	SHOULDERED
AL	ALUMINUM	EQPT	EQUIPMENT	MACH	MACHINE	SKT	SOCKET
ASSEM	ASSEMBLED	EXT	EXTERNAL	MECH	MECHANICAL	SL	SLIDE
ASSY	ASSEMBLY	FIL	FILLISTER HEAD	MTG	MOUNTING	SLFLKG	SELF-LOCKING
ATTEN	ATTENUATOR	FLEX	FLEXIBLE	NIP	NIPPLE	SLVG	SLEEVE
AWG	AMERICAN WIRE GAGE	FLH	FLAT HEAD	NON WIRE	NOT WIRE WOUND	SPR	SPRING
BD	BOARD	FLTR	FILTER	OD	ORDER BY DESCRIPTION	SQ	SQUARE
BRKT	BRACKET	FR	FRAME or FRONT	OD	OUTSIDE DIAMETER	SST	STAINLESS STEEL
BRS	BRASS	FSTNR	FASTENER	OVH	OVAL HEAD	STL	STEEL
BRZ	BRONZE	FT	FOOT	PH BRZ	PHOSPHOR BRONZE	SW	SWITCH
BSHG	BUSHING	FXD	FIXED	PL	PLAIN or PLATE	T	TUBE
CAB	CABINET	GSKT	GASKET	PLSTC	PLASTIC	TERM	TERMINAL
CAP	CAPACITOR	HDL	HANDLE	PN	PART NUMBER	THD	THREAD
CER	CERAMIC	HEX	HEXAGON	PNH	PAN HEAD	THK	THICK
CHAS	CHASSIS	HEX HD	HEXAGONAL HEAD	PWR	POWER	TNSN	TENSION
CKT	CIRCUIT	HEX SOC	HEXAGONAL SOCKET	RCPT	RECEPTACLE	TPG	TAPPING
COMP	COMPOSITION	HLCPS	HELICAL COMPRESSION	RES	RESISTOR	TRH	TRUSS HEAD
CONN	CONNECTOR	HLEXT	HELICAL EXTENSION	RGD	RIGID	V	VOLTAGE
COV	COVER	HV	HIGH VOLTAGE	RLF	RELIEF	VAR	VARIABLE
CPLG	COUPLING	IC	INTEGRATED CIRCUIT	RTNR	RETAINER	W/	WITH
CRT	CATHODE RAY TUBE	ID	INSIDE DIAMETER	SCH	SOCKET HEAD	WSHR	WASHER
DEG	DEGREE	IDENT	IDENTIFICATION	SCOPE	OSCILL OSCOPE	XFMR	TRANSFORMER
DWR	DRAWER	IMPLR	IMPELLER	SCR	SCREW	XSTR	TRANSISTOR

# Replaceable Mechanical Parts—305 Service

## CROSS INDEX—MFR. CODE NUMBER TO MANUFACTURER

Mfr. Code	Manufacturer	Address	City, State, Zip
0000M	SONY/TEKTRONIX CORPORATION	P O BOX 14, HANEDA AIRPORT	TOKYO 149, JAPAN
000BK	STAUFFER SUPPLY	105 SE TAYLOR	PORTLAND, OR 97214
000CY	NORTHWEST FASTENER SALES, INC.	7923 SW CIRRUSS DRIVE	BEAVERTON, OR 97005
000EX	O'HARA METAL PRODUCT COMPANY	542 BRANNAN STREET	SAN FRANCISCO, CA 94107
000FW	WESTERN SINTERING CO INC.	2620 STEVENS DRIVE	RICHLAND, WA 99352
00779	AMP, INC.	P.O. BOX 3608	HARRISBURG, PA 17105
01556	MITE CORPORATION, HELI-COIL PRODUCTS DIV.	SHELTER ROCK LANE	DANBURY, CT 06810
08261	SPECTRA-STRIP CORP.	7100 LAMPSON AVE.	GARDEN GROVE, CA 92642
12327	FREEWAY CORPORATION	9301 ALLEN DRIVE	CLEVELAND, OH 44125
16428	BELDEN CORP.	P. O. BOX 1331	RICHMOND, IN 47374
22526	BERG ELECTRONICS, INC.	YOUK EXPRESSWAY	NEW CUMBERLAND, PA 17070
27264	MOLEX PRODUCTS CO.	5224 KATRINE AVE.	DOWNERS GROVE, IL 60515
57668	R-OHM CORP.	16931 MILLIKEN AVE.	IRVINE, CA 92713
71159	BRISTOL SOCKET SCREW, DIV. OF AMERICAN CHAIN AND CABLE CO., INC.	P O BOX 2244, 40 BRISTOL ST.	WATERBURY, CT 06720
71590	CENTRALAB ELECTRONICS, DIV. OF GLOBE-UNION, INC.	P O BOX 858	FORT DODGE, IA 50501
71785	TRW, CINCH CONNECTORS	1501 MORSE AVENUE	ELK GROVE VILLAGE, IL 60007
73743	FISCHER SPECIAL MFG. CO.	446 MORGAN ST.	CINCINNATI, OH 45206
73803	TEXAS INSTRUMENTS, INC., METALLURGICAL MATERIALS DIV.	34 FOREST STREET	ATTLEBORO, MA 02703
74445	HOLO-KROME CO.	31 BROOK ST. WEST	HARTFORD, CT 06110
74970	JOHNSON, E. F., CO.	299 10TH AVE. S. W.	WASECA, MN 56093
77250	PHEOLL MANUFACTURING CO., DIVISION OF ALLIED PRODUCTS CORP.	5700 W. ROOSEVELT RD.	CHICAGO, IL 60650
78189	ILLINOIS TOOL WORKS, INC. SHAKEPROOF DIVISION	ST. CHARLES ROAD	ELGIN, IL 60120
78488	STACKPOLE CARBON CO.		ST. MARYS, PA 15857
78584	STEWART STAMPING CORP.	630 CENTRAL PARK AVE.	YONKERS, NY 10704
79136	WALDES, KOHINOOR, INC.	47-16 AUSTEL PLACE	LONG ISLAND CITY, NY 11101
80009	TEKTRONIX, INC.	P O BOX 500	BEAVERTON, OR 97077
83385	CENTRAL SCREW CO.	2530 CRESCENT DR.	BROADVIEW, IL 60153
83903	ACCURATE DIE AND STAMPING DIV., ALLIED PRODUCTS CORP.	1947 N. MAUD AVE.	CHICAGO, IL 60614
86928	SEASTROM MFG. COMPANY, INC.	701 SONORA AVENUE	GLENDALE, CA 91201
93907	TEXTRON INC. CAMCAR DIV	600 18TH AVE	ROCKFORD, IL 61101
95712	BENDIX CORP., THE ELECTRICAL COMPONENTS DIV., MICROWAVE DEVICES PLANT	HURRICANE ROAD	FRANKLIN, IN 46131
98291	SEAELECTRO CORP.	225 HOYT	MAMARONECK, NY 10544

Replaceable Mechanical Parts—305 Service

Fig. & Index No.	Tektronix Part No.	Serial/Model No.		Qty	Name & Description					Mfr Code	Mfr Part Number
		Eff	Dscont		1	2	3	4	5		
1-1	348-0080-01			4	FOOT,CABINET:BOTTOM					80009	348-0080-01
-2	390-0638-01			1	CABINET,SCOPE: ***** (ATTACHING PARTS) *****					0000M	390-0638-01
-3	211-0603-00			2	SCREW,MACHINE:6-32 X 0.312 INCH,HEX HD ST ***** (END ATTACHING PARTS) *****					83385	ORD BY DESCR
-4	200-1342-00			2	COVER,HANDLE:35.5MM OD X 14MM H,PLASTIC					0000M	200-1342-00
-5	386-3936-00			2	PLATE,MOUNTING:HANDLE,STEEL ***** (ATTACHING PARTS) *****					0000M	386-3936-00
-6	212-0033-00			2	SCREW,MACHINE:8-32 X 0.750 INCH,PNH STL					83385	ORD BY DESCR
-7	210-0008-00			2	WASHER,LOCK:INTL,0.172 ID X 0.331"OD,S ***** (END ATTACHING PARTS) *****					78189	1208-00-00-0541C
-8	386-2182-00			4	PLATE,FRICITION:					0000M	386-2182-00
-9	343-0757-00			2	RETAINER,HANDLE:					0000M	343-0757-00
-10	334-3289-00			1	PLATE,IDENT:MARKED 305					80009	334-3289-00
-11	367-0203-00			1	HANDLE,CARRYING:BLACK VINYL					0000M	367-0203-00
-12	366-1559-04			1	PUSH BUTTON:SIL GY,OFF					80009	366-1559-04
	384-1552-00			1	EXT SHAFT ASSY:384-1101-00 & 384-1292-00					0000M	384-1552-00
-13	384-1101-00			1	.EXTENSION SHAFT:4.14 INCH LONG					80009	384-1101-00
-14	103-0186-02			1	.ADAPTER,EXT SFT:PUSH SW,0.60 OFFSET					80009	103-0186-02
-15	384-1292-00			1	.EXTENSION SHAFT:2.417 INCH LONG,PLASTIC					80009	384-1292-00
-16	366-1559-00			4	PUSH BUTTON:SIL GY,0.18 SQ X 0.43					80009	366-1559-00
-17	366-1559-02			1	PUSH BUTTON:CHARCOAL,0.18 SQ X 0.43					80009	366-1559-02
	343-0778-00	.300001	.302835	1	CLAMP,CABLE:5MM ID,NYLON					0000M	343-0778-00
-18	-----			1	CKT BOARD ASSY:MAIN(SEE A1 REPL) ***** (ATTACHING PARTS) *****						
-19	211-0116-00	.300001	.303350	6	SCR,ASSEM WSHR:4-40 X 0.312 INCH,PNH BRS					83385	ORD BY DESCR
	211-0661-00	.303351		6	SCREW,MACHINE:4-40 X 0.25 INCH,PNH,STL ***** (END ATTACHING PARTS) *****					78189	ORD BY DESCR
	-----			-	.CKT BOARD ASSY INCLUDES:						
	351-0448-01			1	.GUIDE .SWITCH:W/SPRING AND ROLLER ***** (ATTACHING PARTS) *****					80009	351-0448-01
-20	210-0551-00			1	.NUT,PLAIN,HEX:4-40 X 0.25 INCH,STL					000BK	ORD BY DESCR
-21	211-0198-00			1	.SCREW,MACHINE:4-40 X 0.438 PNH,STL,POZ					77250	ORD BY DESCR
-22	210-0994-00			1	.WASHER,FLAT:0.125 ID X 0.25" OD,STL ***** (END ATTACHING PARTS) *****					86928	5702-201-20
	-----			-	.GUIDE ASSY INCLUDES:						
-23	214-1126-02			1	.SPRING,FLAT:RED COLORED					80009	214-1126-02
-24	214-1127-00			1	.ROLLER,DETENT:0.125 DIA X 0.125,SST					80009	214-1127-00
-25	351-0448-00			1	.GUIDE,SW ACTR:LEVER					80009	351-0448-00
-26	214-2288-02			1	.LEVER,SWITCH:STYLE A,17.5 DEG,W/CONTACTS					80009	214-2288-02
-27	337-2541-01			1	.SHIELD,ELEC:ATTENUATOR COVER					0000M	337-2541-01
-28	337-2560-00			1	.SHIELD,ELEC:ATTENUATOR ***** (ATTACHING PARTS) *****					80009	337-2560-00
-29	211-0116-00			4	SCR,ASSEM WSHR:4-40 X 0.312 INCH,PNH BRS ***** (END ATTACHING PARTS) *****					83385	ORD BY DESCR
-30	337-2561-00			1	.SHLD,ELECTRICAL:ATTENUATOR					0000M	337-2561-00
-31	-----			2	.SWITCH,TOGGLE:(SEE S2,S12 REPL)						
-32	-----			1	.SWITCH,PUSH:(SEE S300 REPL)						
-33	-----			1	.SWITCH,PUSH:(SEE S380 REPL)						
-34	361-0542-00			8	.SPACER,SWITCH:PLASTIC					71590	J-64281
-35	384-1516-00			1	.EXTENSION SHAFT:159.6MM L X 3.15MM OD,PLS					0000M	384-1516-00
-36	131-0963-00			1	.CONTACT,ELEC:GROUNDING					000EX	OBD
	334-3448-00	.300591		1	.MARKER,IDENT:MARKED NOTICE					80009	334-3448-00
	263-1173-00			1	SW CAM ACTR AS:VOLTS/DIV ***** (ATTACHING PARTS) *****					80009	263-1173-00
-37	211-0116-00			4	SCR,ASSEM WSHR:4-40 X 0.312 INCH,PNH BRS ***** (END ATTACHING PARTS) *****					83385	ORD BY DESCR
	-----			-	.ACTUATOR ASSY INCLUDES:						
	131-0963-00			1	.CONTACT,ELEC:GROUNDING					000EX	OBD
-38	200-2166-00			1	.COVER,CAM SW:15 ELEMENT ***** (ATTACHING PARTS) *****					80009	200-2166-00
-39	211-0008-00			4	.SCREW,MACHINE:4-40 X 0.250,PNH,STL,POZ					83385	ORD BY DESCR
-40	210-0004-00			4	.WASHER,LOCK:#4 INTL,0.015 THK,STL CD PL ***** (END ATTACHING PARTS) *****					000BK	ORD BY DESCR

Replaceable Mechanical Parts—305 Service

Fig. & Index No.	Tektronix Part No.	Serial/Model No. Eff Dscont	Qty	1 2 3 4 5	Name & Description	Mfr Code	Mfr Part Number
1-41	210-0406-00		2		..NUT,PLAIN,HEX.:4-40 X 0.188 INCH,BRS	73743	12161-50
-42	214-1139-02		1		..SPRING,FLAT:GREEN COLORED	80009	214-1139-02
	214-1139-03		1		..SPRING,FLAT:RED COLORED	80009	214-1139-03
-43	214-1752-00		2		..ROLLER,DETENT:	80009	214-1752-00
-44	401-0180-00		1		..BEARING,CAM SW:FRONT & REAR .....(ATTACHING PARTS).....	80009	401-0180-00
-45	354-0390-00		1		..RING,RETAINING:0.338 ID X 0.025" THK,STL .....(END ATTACHING PARTS).....	79136	5100-37MD
-46	384-0878-20		1		..SHAFT,CAM SW:3.364 L X 0.248 OD	80009	384-0878-20
-47	105-0774-00		1		..ACTUATOR,CAM SW:VOLTS/DIV	80009	105-0774-00
-48	210-0406-00		4		..NUT,PLAIN,HEX.:4-40 X 0.188 INCH,BRS	73743	12161-50
-49	401-0178-01		1		..BEARING,CAM SW:CENTER/REAR	80009	401-0178-01
-50	376-0189-00		1		..CPLG SHAFT,RGD:16MM ID,ALUMINUM	0000M	376-0189-00
-51	213-0022-00		2		..SETSCREW:4-40 X 0.188 INCH,HEX SOC S	74445	ORD BY DESCR
-52	-----		1		..RESISTOR,VAR:(SEE R125,S120 REPL)		
-53	210-1042-00		1		..WASHER,LOCK:0.285 ID X 0.50 INCH OD	78189	1216-01-00-0541C
-54	214-2767-00		1		..SPRING,DETENT:STAINLESS STEEL	0000M	214-2767-00
-55	384-1515-00		1		..EXTENSION SHAFT:164MM L,3.15MM OD	0000M	384-1515-00
-56	131-0963-00		1		..CONTACT,ELEC:GROUNDING	000EX	OBD
	334-3448-00	.300591	1		..MARKER,IDENT:MARKED NOTICE	80009	334-3448-00
	263-1174-00		1		..SW,CAM ACTR AS:TIME/DIV	80009	263-1174-00
	131-0963-00		1		..CONTACT,ELEC:GROUNDING	000EX	OBD
-57	200-2167-00		1		..COVER,CAM SW:19 ELEMENT .....(ATTACHING PARTS).....	80009	200-2167-00
-58	211-0008-00		4		..SCREW,MACHINE:4-40 X 0.250,PNH,STL,POZ	83385	ORD BY DESCR
-59	210-0004-00		4		..WASHER,LOCK:#4 INTL,0.015 THK,STL CD PL .....(END ATTACHING PARTS).....	000BK	ORD BY DESCR
-60	210-0406-00		2		..NUT,PLAIN,HEX.:4-40 X 0.188 INCH,BRS	73743	12161-50
-61	214-1139-02		1		..SPRING,FLAT:GREEN COLORED	80009	214-1139-02
	214-1139-03		1		..SPRING,FLAT:RED COLORED	80009	214-1139-03
-62	214-1752-00		2		..ROLLER,DETENT:	80009	214-1752-00
-63	401-0180-00		1		..BEARING,CAM SW:FRONT & REAR .....(ATTACHING PARTS).....	80009	401-0180-00
-64	354-0390-00		1		..RING,RETAINING:0.338 ID X 0.025" THK,STL .....(END ATTACHING PARTS).....	79136	5100-37MD
-65	384-0878-19		1		..SHAFT,CAM SW:4.154 L X 0.248 OD	80009	384-0878-19
-66	105-0775-00		1		..ACTUATOR,CAM SW:TIME/DIV	80009	105-0775-00
-67	210-0406-00		4		..NUT,PLAIN,HEX.:4-40 X 0.188 INCH,BRS	73743	12161-50
-68	401-0178-01		1		..BEARING,CAM SW:CENTER/REAR	80009	401-0178-01
-69	376-0189-00		1		..CPLG SHAFT,RGD:16MM ID,ALUMINUM	0000M	376-0189-00
-70	213-0022-00		2		..SETSCREW:4-40 X 0.188 INCH,HEX SOC S	74445	ORD BY DESCR
-71	-----		1		..RESISTOR,VAR:(SEE R105 REPL)		
-72	210-1042-00		1		..WASHER,LOCK:0.285 ID X 0.50 INCH OD	78189	1216-01-00-0541C
-73	214-2767-00		1		..SPRING,DETENT:STAINLESS STEEL	0000M	214-2767-00
-74	384-1514-00		1		..EXTENSION SHAFT:184.4MM L X 3.15MM OD	0000M	384-1514-00
-75	131-0963-00		1		..CONTACT,ELEC:GROUNDING	000EX	OBD
	334-3448-00	.300591	1		..MARKER,IDENT:MARKED NOTICE	80009	334-3448-00
	263-1173-00		1		..SW CAM ACTR AS:VOLTS/DIV .....(ATTACHING PARTS).....	80009	263-1173-00
-76	211-0116-00		4		..SCR,ASSEM WSHR:4-40 X 0.312 INCH,PNH BRS .....(END ATTACHING PARTS).....	83385	ORD BY DESCR
	-----		-		..ACTUATOR ASSY INCLUDES:		
	131-0963-01		1		..CONTACT,ELEC:GROUNDING	000EX	OBD
-77	200-2166-00		1		..COVER,CAM SW:15 ELEMENT .....(ATTACHING PARTS).....	80009	200-2166-00
-78	211-0008-00		4		..SCREW,MACHINE:4-40 X 0.250,PNH,STL,POZ	83385	ORD BY DESCR
-79	210-0004-00		4		..WASHER,LOCK:#4 INTL,0.015 THK,STL CD PL .....(END ATTACHING PARTS).....	000BK	ORD BY DESCR
-80	210-0406-00		2		..NUT,PLAIN,HEX.:4-40 X 0.188 INCH,BRS	73743	12161-50
-81	214-1139-02		1		..SPRING,FLAT:GREEN COLORED	80009	214-1139-02
	214-1139-03		1		..SPRING,FLAT:RED COLORED	80009	214-1139-03
-82	214-1752-00		2		..ROLLER,DETENT:	80009	214-1752-00



Replaceable Mechanical Parts—305 Service

FIG. 1 CABINET, CRT & MAIN CKT BOARD

Fig. & Index No.	Tektronix Part No.	Serial/Model No. Eff	Dscont	Qty	1	2	3	4	5	Name & Description	Mfr Code	Mfr Part Number
1-83	401-0180-00			1						..BEARING,CAM SW:FRONT & REAR .....(ATTACHING PARTS).....	80009	401-0180-00
-84	354-0390-00			1						..RING,RETAINING:0.338 ID X 0.025" THK,STL .....(END ATTACHING PARTS).....	79136	5100-37MD
-85	384-0878-20			1						..SHAFT,CAM SW:3.364 L X 0.248 OD	80009	384-0878-20
-86	105-0774-00			1						..ACTUATOR,CAM SW:VOLTS/DIV	80009	105-0774-00
-87	210-0406-00			4						..NUT,PLAIN,HEX.:4-40 X 0.188 INCH,BRS	73743	12161-50
-88	401-0178-01			1						..BEARING,CAM SW:CENTER/REAR	80009	401-0178-01
-89	376-0189-00			1						..CPLG SHAFT,RGD:16MM ID,ALUMINUM	0000M	376-0189-00
-90	213-0022-00			2						..SETSCREW:4-40 X 0.188 INCH,HEX SOC S	74445	ORD BY DESCR
-91	-----			1						..RESISTOR,VAR:(SEE R578,S583 REPL)		
-92	210-1042-00			1						..WASHER,LOCK:0.285 ID X 0.50 INCH OD	78189	1216-01-00-0541C
-93	214-2767-00			1						..SPRING,DETENT:STAINLESS STEEL	0000M	214-2767-00
-94	-----			1						..SWITCH,PUSH:(SEE S1030 REPL)		
-95	131-0604-00			19						..CONTACT,ELEC:CKT BD SW,SPR,CU BE	80009	131-0604-00
	131-0963-00			3						..CONTACT,ELEC:GROUNDING	000EX	0BD
-96	136-0514-00	.300001	.300216	2						..SKT,PL-IN ELEC:MICROCIRCUIT,8 DIP	73803	CS9002-8
	136-0514-00	.300217	.303485	1						..SKT,PL-IN ELEC:MICROCIRCUIT,8 DIP	73803	CS9002-8
	136-0461-00			2						..SKT,PL-IN ELEC:CIRCUIT BD,5 CONTACT	80009	136-0461-00
	198-3986-00			1						..WIRE SET,ELEC:	0000M	198-3986-00
	131-0707-00			2						..CONNECTOR,TERM:22-26 AWG,BRS & CU BE GOL	22526	47439
	131-2834-00			4						..CONNECTOR,TERM:24-32 AWG,PH BRZ		
-97	175-0826-01			FT						..CABLE,SP,ELEC:9,26 AWG,STRD,PVC JKT,RBN	08261	SS0926710610C-X
-98	352-0162-00			1						..HLDR,TERM CONN:4 WIRE BLACK	80009	352-0162-00
-99	352-0171-00			2						..HLDR,TERM CONN:1 WIRE BLACK	80009	352-0171-00
-100	136-0269-02	.300001	.303485	7						..SKT,PL-IN ELEC:MICROCIRCUIT,14 DIP,LOW CL	73803	CS9002-14
	136-0269-02	.303486		2						..SKT,PL-IN ELEC:MICROCIRCUIT,14 DIP,LOW CL	73803	CS9002-14
-101	136-0260-02	.300001	.303485	1						..SKT,PL-IN ELEC:MICROCIRCUIT,16 DIP,LOW CL	71785	133-51-92-008
-102	131-1030-00			10						..CONT ASSY,ELEC:CAM SWITCH,BOTTOM	80009	131-1030-00
	131-1031-00			18						..CONTACT ASSY,EL:CAM SWITCH,TOP	80009	131-1031-00
-103	136-0252-04	.300001	.300216	108						..SOCKET,PIN TERM:U/W 0.016-0.018 DIA PINS	22526	75060-007
	136-0252-07	.300217	.301730	110						..SOCKET,PIN CONN:W/O DIMPLE	22526	75060-012
	136-0252-07	.301731	.303485	17						..SOCKET,PIN CONN:W/O DIMPLE	22526	75060-012
	136-0252-07	.303486		11						..SOCKET,PIN CONN:W/O DIMPLE	22526	75060-012
-104	131-0608-00	.300001	.303550	42						..TERMINAL,PIN:0.365 L X 0.025 PH BRZ GOLD	22526	47357
	131-0608-00	.303551		31						..TERMINAL,PIN:0.365 L X 0.025 PH BRZ GOLD	22526	47357
	131-0589-00			6						..TERMINAL,PIN:0.46 L X 0.025 SQ	22526	48283-029
	131-0566-00	.300251		2						..BUS CONDUCTOR:DUMMY RES,2.375,22 AWG	57668	JWW-0200E0
-105	214-0579-00			2						..TERM,TEST POINT:BRZ CD PL	80009	214-0579-00
	276-0543-02			2						..SHIELDING BEAD,:	78488	57-3096
	198-4433-00	.303551		1						..WIRE SET,ELEC:	0000M	198-4433-00
	131-2214-00	.303551		11						..STRAIN RLF,TERM:CIRCUIT BOARD,22-16 AWG	27264	16-02-0037
	131-2834-00			11						..CONNECTOR,TERM:24-32 AWG,PH BRZ		
	352-0169-00	.303551		2						..HLDR,TERM CONN:2 WIRE BLACK	80009	352-0169-00
	352-0169-03	.303551		1						..CONN BODY,PL,EL:2 WIRE ORANGE	80009	352-0169-03
	352-0163-00	.303551		1						..CONN BODY,PL,EL:5 WIRE BLACK	80009	352-0163-00
-106	-----			1						ELECTRON TUBE:(SEE V1300 REPL)		
-107	-----			1						COIL,TUBE DEFL:(SEE L1300 REPL)		
-108	334-3360-00			1						MARKER,IDENT:MARKED WARNING	0000M	334-3360-00
-109	348-0031-00	.300001	.301420	1						GROMMET,PLASTIC:0.156 INCH DIA	80009	348-0031-00
-110	337-2559-00			1						SHIELD,CRT: .....(ATTACHING PARTS).....	0000M	337-2559-00
-111	211-0007-00			1						SCREW,MACHINE:4-40 X 0.188 INCH,PNH STL	83385	ORD BY DESCR
-112	210-0004-00			1						WASHER,LOCK:#4 INTL,0.015 THK,STL CD PL .....(END ATTACHING PARTS).....	000BK	ORD BY DESCR
-113	337-2628-00	.300111		1						SHIELD,ELEC:CONNECTOR	0000M	337-2628-00
-114	179-2638-00			1						WIRING HARNESS:CRT .....(ATTACHING PARTS).....	0000M	179-2638-00
-115	211-0105-00			2						SCREW,MACHINE:4-40 X 0.188,100 DEG,FLH ST .....(END ATTACHING PARTS).....	83385	ORD BY DESCR
-116	-----			-						..WIRING HARNESS ASSY INCLUDES:		
	-----			1						..MODULE,HV:(SEE U1240 REPL)		
	131-0707-00			8						..CONNECTOR,TERM:22-26 AWG,BRS & CU BE GOL	22526	47439
	352-0169-00			1						..HLDR,TERM CONN:2 WIRE BLACK	80009	352-0169-00
	352-0162-00			2						..HLDR,TERM CONN:4 WIRE BLACK	80009	352-0162-00
	131-0707-00			1						..CONNECTOR,TERM:22-26 AWG,BRS & CU BE GOL	22526	47439

### Replaceable Mechanical Parts—305 Service

Fig. & Index No.	Tektronix Part No.	Serial/Model No.		Qty	1 2 3 4 5	Name & Description	Mfr Code	Mfr Part Number
		Eff	Dscont					
1-	131-2834-00			16		.CONNECTOR,TERM:24-32 AWG,PH BRZ		
-117	175-0826-01			FT		.CABLE,SP,ELEC:9,26 AWG,STRD,PVC JKT,RBN	08261	SS0926710610C-X
-118	352-0171-00			4		.HLDR,TERM CONN:1 WIRE BLACK	80009	352-0171-00
-119	352-0169-02			1		.CONN BODY,PL,EL:2 WIRE RED	80009	352-0169-00
	352-0169-06			1		.CONN BODY,PL,EL:2 WIRE BLUE	80009	352-0169-06
-120	352-0161-00			1		.HLDR,TERM CONN:3 WIRE,BLACK	80009	352-0161-00
-121	352-0162-00			2		.HLDR,TERM CONN:4 WIRE BLACK	80009	352-0162-00
-122	136-0266-01			1		.SKT,PL-IN ELEK:ELCTR N TUBE,12 CONT,W/LEAD	0000M	OBD
-123	386-1316-00			1		SUPPORT,CRT:REAR	80009	386-1316-00
-124	-----			1		CKT BOARD ASSY:OUTPUT AMPL(SEE A4 REPL) ***** (ATTACHING PARTS) *****		
-125	211-0116-00	.300001	.303350	3		SCR,ASSEM WSHR:4-40 X 0.312 INCH,PNH BRS	83385	ORD BY DESCR
	211-0661-00	.303351		3		SCREW,MACHINE:4-40 X 0.25 INCH,PNH,STL ***** (END ATTACHING PARTS) *****	78189	ORD BY DESCR
	-----			-		.CKT BOARD ASSY INCLUDES:		
-126	131-0589-00			13		.TERMINAL,PIN:0.46 L X 0.025 SQ	22526	48283-029
-127	136-0252-07	.300001	.301730	27		.SOCKET,PIN CONN:W/O DIMPLE	22526	75060-012
-128	342-0430-00			1		INSULATOR,PLATE:CIRCUIT BOARD,W/SHIELD	0000M	342-0430-00
-129	337-2557-00			1		SHLD,ELECTRICAL:INPUT COVER ***** (ATTACHING PARTS) *****	0000M	337-2557-00
-130	211-0101-00			2		SCREW,MACHINE:4-40 X 0.25,100 DEG,FLH STL ***** (END ATTACHING PARTS) *****	83385	ORD BY DESCR
-131	407-2147-01			1		BRACKET,INPUT:W/HARDWARE ***** (ATTACHING PARTS) *****	0000M	407-2147-01
-132	211-0025-00			2		SCREW,MACHINE:4-40 X 0.375 100 DEG,FLH ST	83385	ORD BY DESCR
-133	211-0101-00			2		SCREW,MACHINE:4-40 X 0.25,100 DEG,FLH STL ***** (END ATTACHING PARTS) *****	83385	ORD BY DESCR
	-----			-		.INPUT BRACKET INCLUDES:		
-134	131-0106-00			3		.CONNECTOR,RCPT, FEMALE,BNC	95712	9856-1
-135	210-0255-00			3		.TERMINAL,LUG:0.391 ID,LOCKING,BRS CD PL	80009	210-0255-00
-136	337-2558-00			1		.SHIELD,ELEC:INPUT BRACKET	0000M	337-2558-00
-137	386-3888-00			1		.PANEL,SIDE:	0000M	386-3888-00
-138	426-1528-00			1		FRAME,SUBPANEL:FRONT ***** (ATTACHING PARTS) *****	0000M	426-1528-00
-139	211-0268-00			2		SCREW,MACHINE:2-56 X 6.7MM,PNH	0000M	211-0268-00
-140	210-0001-00			2		WASHER,LOCK:INTL,0.092 ID X 0.18"OD,ST	78189	1202-00-00-0541C
-141	211-0649-00			4		SCREW,MACHINE:2-56 X 4.1MM,FLH,STL,NI PL	0000M	211-0649-00
-142	211-0269-00			1		SCREW,MACHINE:4-40 X 5.6MM FLH 100 DEG	0000M	211-0269-00
-143	211-0097-00	.300001	.303350	1		SCREW,MACHINE:4-40 X 0.312 INCH,PNH STL	83385	ORD BY DESCR
	211-0244-00	.303351		1		SCR,ASSEM WSHR:4-40 X 0.312 INCH,PNH STL	78189	ORD BY DESCR
-144	210-0004-00			1		WASHER,LOCK: #4 INTL,0.015 THK,STL CD PL	000BK	ORD BY DESCR
-145	129-0715-00			1		SPACER,POST:39.4MM L,0.188 HEX ***** (END ATTACHING PARTS) *****	0000M	129-0715-00



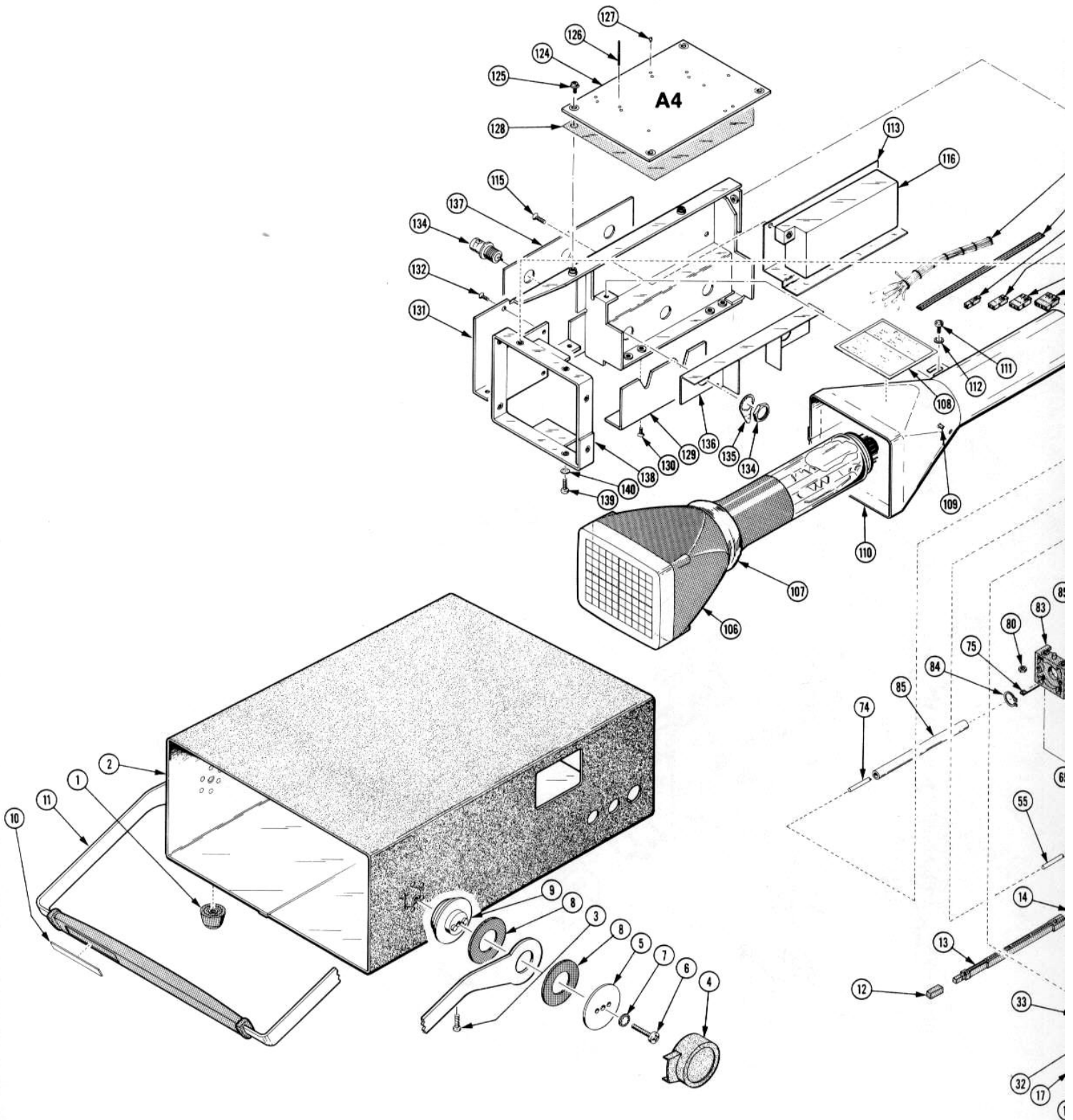


FIG. 1 CABINET, CRT & MAIN CKT BOARD

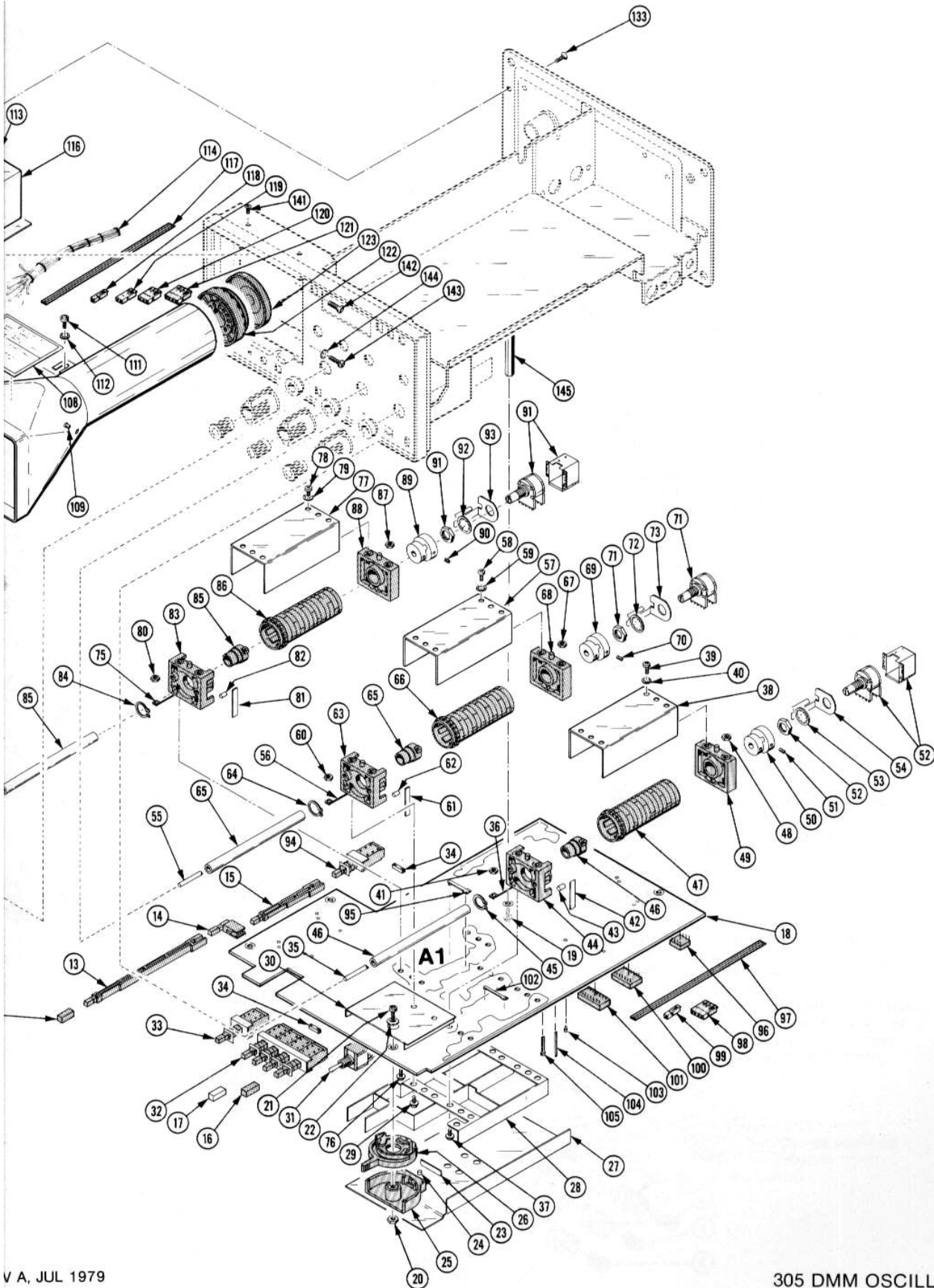
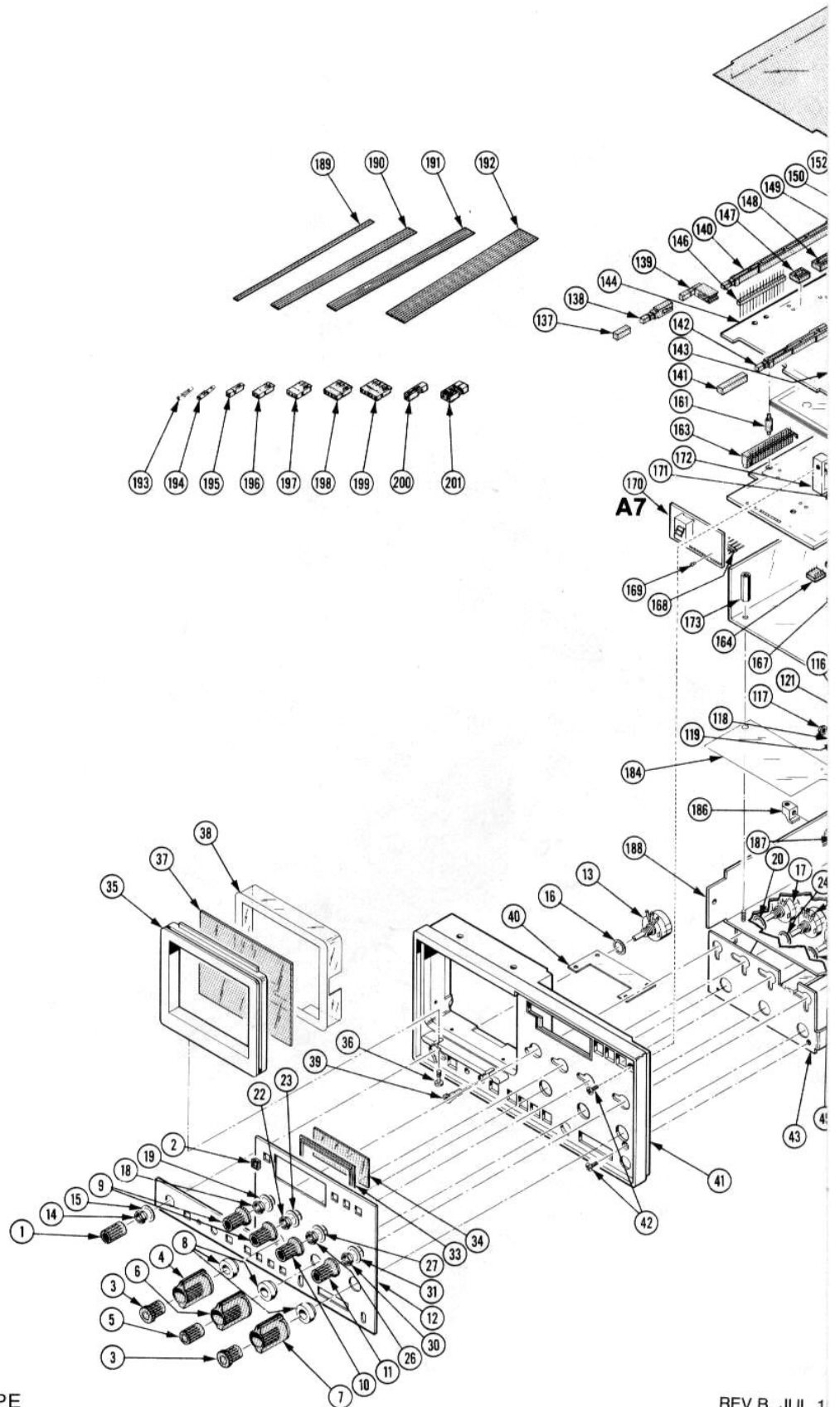
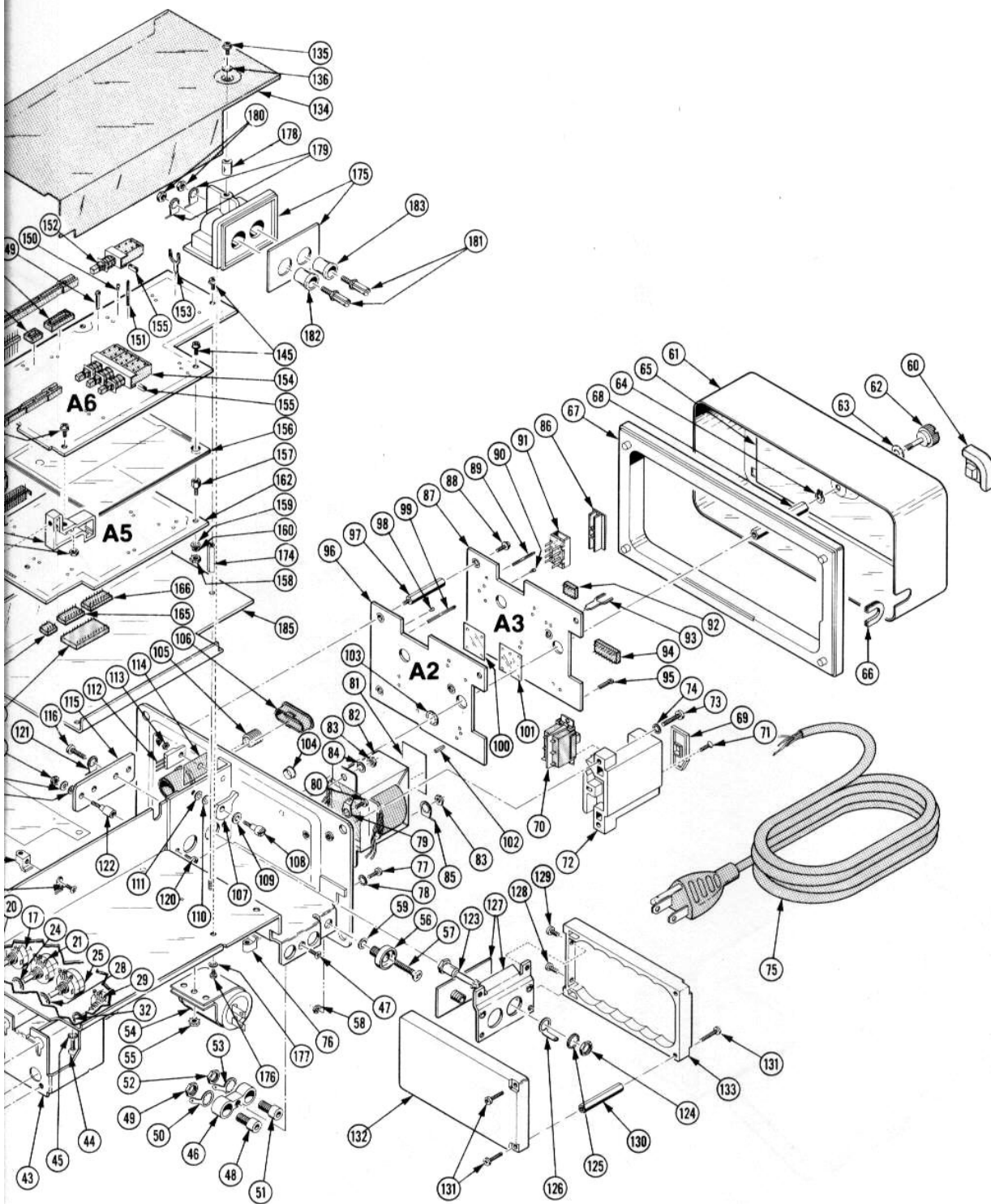


FIG. 2 CHASSIS



305 DMM OSCILLOSCOPE

REV B, JUL 1



Replaceable Mechanical Parts—305 Service

Fig. & Index No.	Tektronix Part No.	Serial/Model No.		Qty	Name & Description					Mfr Code	Mfr Part Number
		Eff	Dscont		1	2	3	4	5		
2-1	366-1023-00			1	KNOB:GY,0.127 ID X 0.392 OD					80009	366-1023-00
	213-0246-00			1	.SETSCREW:5-40 X 0.093 ITL BK OXD,HEX					71159	ORD BY DESCR
-2	426-1072-00			10	FRAME,PUSH BTN:PLASTIC					80009	426-1072-00
-3	366-1405-06			2	KNOB:RED,CAL,0.127 ID,0.45 OD					80009	366-1405-06
	-----			-	.EACH KNOB INCLUDES:						
	213-0048-00			1	.SETSCREW:4-40 X 0.125 INCH,HEX SOC S					74445	ORD BY DESCR
	166-0025-00	.302461		2	SPACER,SLEEVE:0.25 L X 0.125 ID,AL					71590	P07608-51
	361-0097-03	.302461		1	SPACER,SLEEVE:4MM ID X 4.5MM L,STEEL					0000M	361-0097-03
-4	366-1057-00			1	KNOB:GRAY					80009	366-1057-00
	213-0153-00			2	.SETSCREW:5-40 X 0.125,STL BK OXD,HEX					000CY	ORD BY DESCR
-5	366-1031-03			1	KNOB:RED--CAL					80009	366-1031-03
	213-0246-00			1	.SETSCREW:5-40 X 0.093 ITL BK OXD,HEX					71159	ORD BY DESCR
-6	366-1057-02			1	KNOB:CHARCOAL GY,0.252 ID					80009	366-1057-02
	213-0153-00			2	.SETSCREW:5-40 X 0.125,STL BK OXD,HEX					000CY	ORD BY DESCR
-7	366-1057-01			1	KNOB:SIL GY,0.252 ID					80009	366-1057-01
	213-0153-00			2	.SETSCREW:5-40 X 0.125,STL BK OXD,HEX					000CY	ORD BY DESCR
-8	358-0597-00			3	BUSHING,SLEEVE:6.5MM ID X 6.0MM L					0000M	358-0597-00
-9	366-1189-00			2	KNOB:GRAY					80009	366-1189-00
	-----			-	.EACH KNOB INCLUDES:						
	213-0246-00			1	.SETSCREW:5-40 X 0.093 ITL BK OXD,HEX					71159	ORD BY DESCR
-10	366-1189-03			1	KNOB:CHARCOAL GY,W/INDEX					80009	366-1189-03
	213-0246-00			1	.SETSCREW:5-40 X 0.093 ITL BK OXD,HEX					71159	ORD BY DESCR
-11	366-1189-02			1	KNOB:SIL GY,W/INDEX					80009	366-1189-02
	213-0246-00			1	.SETSCREW:5-40 X 0.093 ITL BK OXD,HEX					71159	ORD BY DESCR
-12	333-2414-00			1	PANEL,FRONT:					0000M	333-2414-00
-13	-----			1	RESISTOR,VAR:(SEE R1202 REPL) *****ATTACHING PARTS*****						
-14	220-0739-00			1	NUT,PLAIN,HEX:6MM THD X 4.6MM X 8.0MM,BRS					0000M	220-0739-00
-15	210-3035-00			1	WASHER,FLAT:7.6MM ID X 0.5MM THK,STL NP					0000M	210-3035-00
-16	210-0046-00			1	WASHER,LOCK:0.261 ID,INTL,0.018 THK,BRS *****END ATTACHING PARTS*****					78189	1214-05-00-0541C
-17	-----			1	RESISTOR,VAR:(SEE R370 REPL) *****ATTACHING PARTS*****						
-18	220-0739-00			1	NUT,PLAIN,HEX:6MM THD X 4.6MM X 8.0MM,BRS					0000M	220-0739-00
-19	210-3035-00			1	WASHER,FLAT:7.6MM ID X 0.5MM THK,STL NP					0000M	210-3035-00
-20	210-0046-00			1	WASHER,LOCK:0.261 ID,INTL,0.018 THK,BRS *****END ATTACHING PARTS*****					78189	1214-05-00-0541C
-21	-----			1	RESISTOR,VAR:(SEE R581 REPL) *****ATTACHING PARTS*****						
-22	220-0739-00			1	NUT,PLAIN,HEX:6MM THD X 4.6MM X 8.0MM,BRS					0000M	220-0739-00
-23	210-3035-00			1	WASHER,FLAT:7.6MM ID X 0.5MM THK,STL NP					0000M	210-3035-00
-24	210-0046-00			1	WASHER,LOCK:0.261 ID,INTL,0.018 THK,BRS *****END ATTACHING PARTS*****					78189	1214-05-00-0541C
-25	-----			1	RESISTOR,VAR:(SEE R118 REPL) *****ATTACHING PARTS*****						
-26	220-0739-00			1	NUT,PLAIN,HEX:6MM THD X 4.6MM X 8.0MM,BRS					0000M	220-0739-00
-27	210-3035-00			1	WASHER,FLAT:7.6MM ID X 0.5MM THK,STL NP					0000M	210-3035-00
-28	210-0046-00			1	WASHER,LOCK:0.261 ID,INTL,0.018 THK,BRS *****END ATTACHING PARTS*****					78189	1214-05-00-0541C
-29	-----			1	RESISTOR,VAR:(SEE R138 REPL) *****ATTACHING PARTS*****						
-30	220-0739-00			1	NUT,PLAIN,HEX:6MM THD X 4.6MM X 8.0MM,BRS					0000M	220-0739-00
-31	210-3035-00			1	WASHER,FLAT:7.6MM ID X 0.5MM THK,STL NP					0000M	210-3035-00
-32	210-0046-00			1	WASHER,LOCK:0.261 ID,INTL,0.018 THK,BRS *****END ATTACHING PARTS*****					78189	1214-05-00-0541C
-33	426-1529-00			1	FRAME,CKT BOARD:PLASTIC					0000M	426-1529-00
-34	378-0109-00			1	FILTER,LED DSPL:RED					0000M	378-0109-00
-35	200-1775-00			1	BEZEL: *****ATTACHING PARTS*****					0000M	200-1775-00
-36	211-0664-00			2	SCREW MACHINE:6-32 X 1.25,HEX WSHR HD *****END ATTACHING PARTS*****					000BK	ORD BY DESCR
-37	378-2016-01			1	FILTER,LT,CRT:BLUE PLASTIC					0000M	378-2016-01
-38	331-0301-00			1	MASK,CRT:					0000M	331-0301-00

**Replaceable Mechanical Parts—305 Service**

Fig. & Index No.	Tektronix Part No.	Serial/Model No.		Qty	1 2 3 4 5	Name & Description	Mfr Code	Mfr Part Number
		Eff	Dscont					
2-39	131-0251-00			1		JACK,TIP:PANEL MTG,RED	98291	016-8010-2
-40	386-3952-00			1		PLATE,BEZEL MTG:STAINLESS STEEL	0000M	386-3952-00
-41	386-3954-00			1		SUBPANEL,FRONT: ***** (ATTACHING PARTS) *****	0000M	386-3954-00
-42	211-0101-00			2		SCREW,MACHINE:4-40 X 0.25,100 DEG,FLH STL ***** (END ATTACHING PARTS) *****	83385	ORD BY DESCR
-43	-----			1		CHASSIS,SCOPE: (REPL UNDER PART NUMBER 441-1439-00 ONLY) ***** (ATTACHING PARTS) *****		
-44	211-0012-00			1		SCREW,MACHINE:4-40 X 0.375,PNH STL CD PL	83385	ORD BY DESCR
-45	210-0004-00			1		WASHER,LOCK:#4 INTL,0.015 THK,STL CD PL ***** (END ATTACHING PARTS) *****	000BK	ORD BY DESCR
-46	352-0409-01			1		HOLDER,CONN:W/HARDWARE,BLACK PLSTC ***** (ATTACHING PARTS) *****	80009	352-0409-01
-47	213-0107-00			1		SCR,TPG,THD FOR:4-40 X 0.25 INCH,FLH STL ***** (END ATTACHING PARTS) *****	93907	ORD BY DESCR
-48	136-0490-00			1		.HOLDER,TIP JACK INCLUDES: .JACK,TIP:BANANA JACK ASSY ***** (ATTACHING PARTS) *****	80009	136-0490-00
-49	210-0465-00			1		.NUT,PLAIN,HEX:.025-32 X 0.375 INCH BRS	73743	3095-402
-50	210-0223-00			1		.TERMINAL,LUG:0.25 INCH DIA,SE ***** (END ATTACHING PARTS) *****	86928	A313-136
-51	136-0491-00			1		.JACK,TIP:BANANA JACK ASSY ***** (ATTACHING PARTS) *****	80009	136-0491-00
-52	210-0465-00			1		.NUT,PLAIN,HEX:.025-32 X 0.375 INCH BRS	73743	3095-402
-53	210-0223-00			1		.TERMINAL,LUG:0.25 INCH DIA,SE ***** (END ATTACHING PARTS) *****	86928	A313-136
-54	343-0761-00			1		CLAMP,CAPACITOR:25.2MM ID ***** (ATTACHING PARTS) *****	0000M	343-0761-00
-55	210-0586-00			1		NUT,PL,ASSEM WA:4-40 X 0.25,STL ***** (END ATTACHING PARTS) *****	83385	ORD BY DESCR
-56	213-0807-00			1		SCREW,GROUND:6-32 INT & 0.25-32 ***** (ATTACHING PARTS) *****	0000M	213-0807-00
-57	211-0544-00			1		SCREW,MACHINE:6-32 X 0.750,TRH STL	83385	ORD BY DESCR
-58	210-0465-00			1		NUT,PLAIN,HEX:.025-32 X 0.375 INCH BRS	73743	3095-402
-59	210-0046-00			1		WASHER,LOCK:0.261 ID,INTL,0.018 THK,BRS ***** (END ATTACHING PARTS) *****	78189	1214-05-00-0541C
-60	348-0572-00			4		FOOT,CABINET:BLACK,W/CORD WRAP	0000M	348-0572-00
-61	200-2213-01			1		COVER,REAR:ALUMINUM ***** (ATTACHING PARTS) *****	0000M	200-2213-01
-62	213-0170-00			1		THUMBSCREW:8-32 X 0.82 INCH L,STL	80009	213-0170-00
-63	210-0804-00			1		WASHER,FLAT:0.17 ID X 0.375 INCH OD,STL	12327	ORD BY DESCR
-64	354-0324-00			1		RING,RETAINING:E SHAPE,0.102 ID X 0.270 ***** (END ATTACHING PARTS) *****	79136	5133-14-MD
-65	342-0427-00			1		INSULATOR,PLATE:REAR COVER	0000M	342-0427-00
-66	348-0573-00			1		GROMMET,PLASTIC:BLACK,9.2MM ID	0000M	348-0573-00
-67	426-1530-00			1		FRAME,CABINET:	0000M	426-1530-00
-68	129-0702-00			1		SPACER,POST:43.6MM,0.25 HEX	0000M	129-0702-00
-69	386-4020-00			1		PLATE,SLIDE SW:	0000M	386-4020-00
-70	-----			1		SWITCH,SLIDE:(SEE S1001A,B REPL) ***** (ATTACHING PARTS) *****		
-71	211-0101-00			2		SCREW,MACHINE:4-40 X 0.25,100 DEG,FLH STL ***** (END ATTACHING PARTS) *****	83385	ORD BY DESCR
-72	344-0315-00			1		CLIP,POWER CORD: ***** (ATTACHING PARTS) *****	0000M	344-0315-00
-73	211-0016-00	.300001	.303350	2		SCREW,MACHINE:4-40 X 0.625 INCH,PNH STL	83385	ORD BY DESCR
	211-0246-00	.303351		2		SCR,ASSEM WSHR:4-40 X 0.625 INCH,PNH,STL	78189	ORD BY DESCR
-74	210-0994-00	.300001	.303350	2		WASHER,FLAT:0.125 ID X 0.25" OD,STL ***** (END ATTACHING PARTS) *****	86928	5702-201-20
-75	161-0033-24	.300001	.300710	1		CABLE ASSY,PWR,;3.18 AWG,125V,108.3 L	16428	OBD
	161-0033-26	.300711		1		CABLE ASSY,PWR:3.18 AWG,125V,101.3 L	16428	KH-9230



Replaceable Mechanical Parts—305 Service

Fig. & Index No.	Tektronix Part No.	Serial/Model No.		Qty	1 2 3 4 5					Name & Description	Mfr Code	Mfr Part Number
		Eff	Dscont									
2-76	220-0547-01			2						NUT,BLOCK:0.38 X 0.26 X 0.282 (2)4-40 ***** (ATTACHING PARTS) *****	000FW	ORD BY DESCR
-77	211-0008-00	.300001	.303350	2						SCREW,MACHINE:4-40 X 0.250,PNH,STL,POZ	83385	ORD BY DESCR
	211-0661-00	.303351		2						SCREW,MACHINE:4-40 X 0.25 INCH,PNH,STL	78189	ORD BY DESCR
-78	210-0004-00	.300001	.303350	2						WASHER,LOCK:#4 INTL,0.015 THK,STL CD PL ***** (END ATTACHING PARTS) *****	000BK	ORD BY DESCR
-79	210-0202-00			1						TERMINAL,LUG:0.146 ID,LOCKING,BRZ TINNED ***** (ATTACHING PARTS) *****	78189	2104-06-00-2520N
-80	211-0501-00			1						SCREW,MACHINE:6-32 X 0.125 INCH,PNH STL ***** (END ATTACHING PARTS) *****	83385	ORD BY DESCR
-81	334-3397-00			1						MARKER,IDENT:MARKED CAUTION	80009	334-3397-00
-82	-----			1						TRANSFORMER:(SEE T1001 REPL) ***** (ATTACHING PARTS) *****		
-83	210-0407-00			2						NUT,PLAIN,HEX:.6-32 X 0.25 INCH,BRS	73743	3038-0228-402
-84	210-0006-00			1						WASHER,LOCK:#6 INTL,0.018 THK,STL CD PL	78189	1206-00-00-0541C
-85	210-0202-00			1						TERMINAL,LUG:0.146 ID,LOCKING,BRZ TINNED ***** (END ATTACHING PARTS) *****	78189	2104-06-00-2520N
-86	200-2259-00	.300001	.304855	1						COVER,SLIDE SW:GRAY PLASTIC	0000M	200-2259-00
	200-2259-01	.304856		1						COVER,SLIDE SW:GRAY PLASTIC	0000M	200-2259-01
-87	-----			1						CKT BOARD ASSY:BATTERY CHARGER(SEE A3 REPL) ***** (ATTACHING PARTS) *****		
-88	211-0116-00	.300001	.303350	3						SCR,ASSEM WSHR:4-40 X 0.312 INCH,PNH BRS	83385	ORD BY DESCR
	211-0661-00	.303351		3						SCREW,MACHINE:4-40 X 0.25 INCH,PNH,STL ***** (END ATTACHING PARTS) *****	78189	ORD BY DESCR
	-----			-						.CKT BOARD ASSY INCLUDES:		
-89	131-0608-00	.300001	.303550	24						.TERMINAL,PIN:0.365 L X 0.025 PH BRZ GOLD	22526	47357
	131-0608-00	.303551		21						.TERMINAL,PIN:0.365 L X 0.025 PH BRZ GOLD	22526	47357
-90	136-0252-07	.300101	.301730	12						.SOCKET,PIN CONN:W/O DIMPLE	22526	75060-012
-91	-----			1						.SWITCH,SLIDE:(SEE S1005A,B REPL)		
-92	136-0514-00	.300001	.303485	2						.SKT,PL-IN ELEC:MICROCIRCUIT,8 DIP	73803	CS9002-8
	136-0514-00	.303486		1						.SKT,PL-IN ELEC:MICROCIRCUIT,8 DIP	73803	CS9002-8
-93	344-0154-00			4						.CLIP,ELECTRICAL:FUSE,CKT BD MT	80009	344-0154-00
-94	136-0269-02	.300001	.303485	1						.SKT,PL-IN ELEK:MICROCIRCUIT,14 DIP,LOW CL	73803	CS9002-14
-95	214-0579-00			2						.TERM,TEST POINT: BRS CD PL	80009	214-0579-00
	198-4435-00	.303551		1						.WIRE SET,ELEC:	0000M	198-4435-00
	131-2214-00	.303551		3						.STRAIN RLF,TERM:CIRCUIT BOARD,22-16 AWG	27264	16-02-0037
	131-2834-00			3						.CONNECTOR,TERM:24-32 AWG,PH BRZ		
	352-0161-00	.303551		1						.HLDR,TERM CONN:3 WIRE,BLACK	80009	352-0161-00
-96	-----			1						CKT BOARD ASSY:POWER SUPPLY(SEE A2 REPL) ***** (ATTACHING PARTS) *****		
-97	129-0712-00			3						SPACER,POST:37.2MM L,0.188 HEX ***** (END ATTACHING PARTS) *****	0000M	129-0712-00
	-----			-						.CKT BOARD ASSY INCLUDES:		
-98	136-0252-00	.300101	.301730	18						.SOCKET,PIN TERM:0.145 INCH LONG	00779	2-330808-7
-99	131-0608-00	.300001	.303550	13						.TERMINAL,PIN:0.365 L X 0.025 PH BRZ GOLD	22526	47357
	131-0608-00	.303551		3						.TERMINAL,PIN:0.365 L X 0.025 PH BRZ GOLD	22526	47357
-100	342-0445-00			1						.INSULATOR,FILM:SWITCH REGULATOR XFMR	0000M	342-0445-00
-101	342-0446-00			1						.INSULATOR,FILM:DC-DC CONV XFMR,PLSTC	0000M	342-0446-00
-102	136-0263-04			10						.SOCKET,PIN TERM:FOR 0.025 INCH SQUARE PIN	22526	75377-001
	198-4434-00	.303551		1						.WIRE SET,ELEC:	0000M	198-4434-00
	131-2214-00	.303551		10						.STRAIN RLF,TERM:CIRCUIT BOARD,22-16 AWG	27264	16-02-0037
	131-0707-00	.303551		2						.CONNECTOR,TERM:22-26 AWG,BRS & CU BE GOL	22526	47439
	131-2834-00	.303551		8						.CONNECTOR,TERM:24-32 AWG,PH BRZ		
	352-0162-00	.303551		1						.HLDR,TERM CONN:4 WIRE BLACK	80009	352-0162-00
	352-0162-08	.303551		1						.CONN BODY,PL,EL:4 WIRE GRAY	80009	352-0162-08
	352-0162-09	.303551		1						.CONN BODY,PL,EL:4 WIRE WHITE	80009	352-0162-09
-103	210-0008-00			1						WASHER,LOCK:INTL,0.172 ID X 0.331"OD,S	78189	1208-00-00-0541C
-104	348-0055-00			1						GROMMET,PLASTIC:0.25 INCH DIA	80009	348-0055-00
-105	213-0806-00			1						THUMBSCREW:0.375-32 X 20MM L,9.5MM	0000M	213-0806-00
-106	348-0253-00			1						GROMMET,PLASTIC:BLACK,OBLONG,3 OXO.925	80009	348-0253-00
-107	105-0062-02			1						LATCH,THUMB:BATTERY BOX,AL ***** (ATTACHING PARTS) *****	80009	105-0062-02
-108	211-0140-00			1						SCREW,SHOULDER:4-40 X 0.775,SPCL,STL,CRPL	0000M	211-0140-00

Replaceable Mechanical Parts—305 Service

Fig. & Index No.	Tektronix Part No.	Serial/Model No.		Qty	1	2	3	4	5	Name & Description	Mfr Code	Mfr Part Number
		Eff	Dscont									
2-109	210-0802-00	.300001	.300110	1						WASHER,FLAT:0.15 ID X 0.312 INCH OD	12327	ORD BY DESCR
	210-1318-00	.300111		1						WASHER,FLAT:0.169 ID X 0.02 THK,STL	0000M	210-1318-00
-110	210-0948-00			1						WASHER,FLAT:0.166 ID X 0.03 THK,0.186 O	83903	ORD BY DESCR
-111	210-0994-00	.300001	.303060	2						WASHER,FLAT:0.125 ID X 0.25" OD,STL	86928	5702-201-20
	210-0994-00	.303061		1						WASHER,FLAT:0.125 ID X 0.25" OD,STL ***** (END ATTACHING PARTS) *****	86928	5702-201-20
-112	-----			1						TRANSISTOR:(SEE Q1010 REPL) ***** (ATTACHING PARTS) *****		
-113	210-0406-00			1						NUT,PLAIN,HEX.:4-40 X 0.188 INCH,BRS ***** (END ATTACHING PARTS) *****	73743	12161-50
-114	342-0163-01			1						INSULATOR,PLATE:XSTR,0.675 X 0.625 X 0.001	80009	342-0163-01
-115	386-3953-01			1						PLATE,SPACER:BATTERY,PLASTIC ***** (ATTACHING PARTS) *****	0000M	386-3953-01
-116	211-0008-00			1						SCREW,MACHINE:4-40 X 0.250,PNH,STL,POZ	83385	ORD BY DESCR
-117	210-0406-00			2						NUT,PLAIN,HEX.:4-40 X 0.188 INCH,BRS	73743	12161-50
-118	210-0054-00			2						WASHER,LOCK:SPLIT,0.118 ID X 0.212" OD S ***** (END ATTACHING PARTS) *****	83385	ORD BY DESCR
	-----			-						.PLATE,SPACER INCLUDES:		
-119	210-0994-00			2						WASHER,FLAT:0.125 ID X 0.25" OD,STL	86928	5702-201-20
-120	211-0507-00			2						.SCREW,MACHINE:6-32 X 0.312 INCH,PNH STL	83385	ORD BY DESCR
-121	210-0202-00			2						.TERMINAL,LUG:0.146 ID,LOCKING,BRZ TINNED	78189	2104-06-00-2520N
-122	129-0735-00			2						.SPACER,POST:7.6MM L,0.25 HEX	0000M	129-0735-00
-123	134-0013-00			2						.PLUG,TIP:BANANA ***** (ATTACHING PARTS) *****	74970	108-753-17
-124	210-0583-00			2						NUT,PLAIN,HEX:0.25-32 X 0.312 INCH,BRS	73743	2X20317-402
-125	210-0046-00			2						WASHER,LOCK:0.261 ID,INTL,0.018 THK,BRS	78189	1214-05-00-0541C
-126	210-0269-00			2						TERMINAL,LUG:NON LOCKING,0.257" MTG HOLE ***** (END ATTACHING PARTS) *****	78584	905-020
-127	386-3951-01			1						PLATE BATTERY PACK:ALUMINUM ***** (ATTACHING PARTS) *****	0000M	386-3951-01
-128	211-0008-00			2						SCREW,MACHINE:4-40 X 0.250,PNH,STL,POZ	83385	ORD BY DESCR
-129	211-0007-00			2						SCREW,MACHINE:4-40 X 0.188 INCH,PNH STL ***** (END ATTACHING PARTS) *****	83385	ORD BY DESCR
-130	129-0714-00			2						SPACER,POST:34MM L,W/4-40 BRASS ***** (ATTACHING PARTS) *****	0000M	129-0714-00
-131	211-0532-00			4						SCREW,MACHINE:6-32 X 0.75 INCH,FILH STL ***** (END ATTACHING PARTS) *****	83385	ORD BY DESCR
-132	343-0780-00			1						CLAMP,BATTERY:	0000M	343-0780-00
-133	343-0779-00			1						CLAMP,BATTERY:	0000M	343-0779-00
-134	342-0435-00			1						INSULATOR,PLATE:CABINET,TOP ***** (ATTACHING PARTS) *****	0000M	342-0435-00
-135	211-0008-00	.300001	.303350	1						SCREW,MACHINE:4-40 X 0.250,PNH,STL,POZ	83385	ORD BY DESCR
	211-0661-00	.303351		1						SCREW,MACHINE:4-40 X 0.25 INCH,PNH,STL	78189	ORD BY DESCR
-136	210-0994-00	.300001	.303350	1						WASHER,FLAT:0.125 ID X 0.25" OD,STL ***** (END ATTACHING PARTS) *****	86928	5702-201-20
-137	366-1559-04			1						PUSH BUTTON:SIL GY,OFF	80009	366-1559-04
	384-1553-00			1						EXT SHAFT ASSY:	0000M	384-1553-00
-138	384-1136-00			1						.EXTENSION SHAFT:0.95 INCH LONG	80009	384-1136-00
-139	103-0186-01			1						.ADAPTER,EXT SFT:PUSH SW,0.45 OFFSET	80009	103-0186-01
-140	384-1101-00			1						.EXTENSION SHAFT:4.14 INCH LONG	80009	384-1101-00
-141	366-1512-00			3						PUSH BUTTON:GRAY,0.18 SQ X 0.83 INCH LG	80009	366-1512-00
-142	384-1292-00			3						EXTENSION SHAFT:2.417 INCH LONG,PLASTIC	80009	384-1292-00
	672-0757-00			1						CKT BOARD ASSEMBLY:DMM ***** (ATTACHING PARTS) *****	0000M	672-0757-00
-143	211-0116-00	.300001	.303350	3						SCR,ASSEM WSHR:4-40 X 0.312 INCH,PNH BRS	83385	ORD BY DESCR
	211-0661-00	.303351		3						SCREW,MACHINE:4-40 X 0.25 INCH,PNH,STL ***** (END ATTACHING PARTS) *****	78189	ORD BY DESCR
	-----			-						.CKT BOARD ASSY INCLUDES:		
-144	-----			1						.CKT BOARD ASSY:DMM INP & P/S(SEE A6 REPL) ***** (ATTACHING PARTS) *****		
-145	211-0116-00			3						.SCR,ASSEM WSHR:4-40 X 0.312 INCH,PNH BRS ***** (END ATTACHING PARTS) *****	83385	ORD BY DESCR
	-----			-						.CKT BOARD ASSY INCLUDES:		
-146	131-2213-01			1						.CONN,PLUG,ELEC:CKT BD,16 CONTACT	0000M	131-2213-01



Replaceable Mechanical Parts—305 Service

Fig. & Index No.	Tektronix Part No.	Serial/Model No. Eff	Dscont	Qty	1	2	3	4	5	Name & Description	Mfr Code	Mfr Part Number
2-147	136-0514-00	.300001	.303485	4						..SKT,PL-IN ELEC:MICROCIRCUIT,8 DIP	73803	CS9002-8
-148	136-0260-02	.300001	.303485	2						..SKT,PL-IN ELEK:MICROCIRCUIT,16 DIP,LOW C	71785	133-51-92-008
-149	214-0579-00			1						..TERM,TEST POINT:BRS CD PL	80009	214-0579-00
-150	136-0252-07	.300001	.301730	24						..SOCKET,PIN CONN:W/O DIMPLE	22526	75060-012
-151	131-0608-00	.300001	.300110	4						..TERMINAL,PIN:0.365 L X 0.025 PH BRZ GOLD	22526	47357
	131-0608-00	.300111		2						..TERMINAL,PIN:0.365 L X 0.025 PH BRZ GOLD	22526	47357
	131-0589-00	.300001	.300110	4						..TERMINAL,PIN:0.46 L X 0.025 SQ	22526	48283-029
	131-0589-00	.300111		2						..TERMINAL,PIN:0.46 L X 0.025 SQ	22526	48283-029
-152	-----			1						..SWITCH,PUSH:(SEE S900 REPL)		
-153	344-0154-00			2						..CLIP,ELECTRICAL:FUSE,CKT BD MT	80009	344-0154-00
-154	-----			1						..SWITCH,PUSH:(SEE S800 REPL)		
-155	361-0411-00			6						..SPACER,PUSH SW:0.13 W X 0.375 INCH L,PLS	71590	J64285-00
-156	337-2562-00			1						.SHIELD,ELECTRICAL:DMM CKT BD,W/INSULATORS	0000M	337-2562-00
-157	129-0716-00			3						.SPACER,POST:7MM L,W/4-40 INT-EXT THD BRAS	0000M	129-0716-00
										***** (ATTACHING PARTS) *****		
-158	210-0406-00			3						.NUT,PLAIN,HEX.:4-40 X 0.188 INCH,BRS	73743	12161-50
-159	210-1002-00			3						.WASHER,FLAT:0.125 ID X 0.25 INCH OD,BRS	12327	ORD BY DESCR
-160	210-0054-00			3						.WASHER,LOCK:SPLIT,0.118 ID X 0.212"OD S	83385	ORD BY DESCR
										***** (END ATTACHING PARTS) *****		
-161	361-0466-00			1						.SPACER,NONMETALLIC:7MM LG	0000M	361-0466-00
-162	-----			1						.CKT BOARD ASSY:DMM A/D & LOGIC(SEE A5 REP		
-163	131-2212-00			1						..CONN,PLUG,ELEC:CKT BD,12 CONTACTS	0000M	131-2212-00
-164	136-0514-00	.300001	.303485	1						..SKT,PL-IN ELEC:MICROCIRCUIT,8 DIP	73803	CS9002-8
-165	136-0269-02	.300001	.303485	3						..SKT,PL-IN ELEK:MICROCIRCUIT,14 DIP,LOW C	73803	CS9002-14
-166	136-0260-02	.300001	.303485	5						..SKT,PL-IN ELEK:MICROCIRCUIT,16 DIP,LOW C	71785	133-51-92-008
-167	136-0578-00			1						..SKT,PL-IN ELEK:MICROCKT,24 PIN,LOW PROFI	73803	C S9002-24
-168	136-0702-01			1						..SOCKET,PIN TERM:U/W 0.8MM DIA PIN	0000M	136-0702-01
-169	136-0252-07	.300001	.301730	18						..SOCKET,PIN CONN:W/O DIMPLE	22526	75060-012
-170	-----			1						..CKT BOARD ASSY:LED DISPLAY(SEE A7 REPL)		
-171	210-0406-00			3						NUT,PLAIN,HEX.:4-40 X 0.188 INCH,BRS	73743	12161-50
-172	407-2145-00			1						BRACKET,SUPPORT:	0000M	407-2145-00
-173	129-0175-00			1						INSULATOR,STDF:	80009	129-0175-00
-174	129-0713-00			1						SPACER POST:19.05MM L,W/4-40 BRASS	0000M	129-0713-00
-175	407-2146-01			1						BRACKET,INPUT:W/HARDWARE,PLSTC	0000M	407-2146-01
										***** (ATTACHING PARTS) *****		
-176	211-0603-00			2						SCREW,MACHINE:6-32 X 0.312 INCH,HEX HD ST	83385	ORD BY DESCR
-177	210-0006-00			2						WASHER,LOCK:#6 INTL,0.018 THK,STL CD PL	78189	1206-00-00-0541C
										***** (END ATTACHING PARTS) *****		
				-						.INPUT BRACKET INCLUDES:		
-178	214-0304-00			1						.INSERT:	01556	70015-04
-179	210-0202-00			2						..TERMINAL,LUG:0.146 ID,LOCKING,BRZ TINNED	78189	2104-06-00-2520N
										***** (ATTACHING PARTS) *****		
-180	210-0407-00			2						.NUT,PLAIN,HEX.:6-32 X 0.25 INCH,BRS	73743	3038-0228-402
										***** (END ATTACHING PARTS) *****		
-181	131-1958-00			2						.CONN,RCPT,ELEC:CKT CARD MOUNTED	80009	131-1958-00
-182	358-0584-01			1						.BUSHING,CONN:0.325 ID,PLASTIC	80009	358-0584-01
-183	358-0584-00			1						.BUSHING,CONN:0.325 ID,PLASTIC	80009	358-0584-00
-184	342-0433-00			1						INSULATOR,PLATE:POSITION POT,FRONT	0000M	342-0433-00
-185	342-0434-00			1						INSULATOR,PLATE:CHASSIS,BOTTOM	0000M	342-0434-00
-186	220-0547-01			1						NUT,BLOCK:0.38 X 0.26 X 0.282 (2)4-40	000FW	ORD BY DESCR
										***** (ATTACHING PARTS) *****		
-187	211-0105-00			1						SCREW,MACHINE:4-40 X 0.188,100 DEG.FLH ST	83385	ORD BY DESCR
										***** (END ATTACHING PARTS) *****		
	334-3379-00	.300111		1						MARKER,IDENT:MARKED GROUND SYMBOL	80009	334-3379-00
-188	441-1439-00			1						CHASSIS, SCOPE:	0000M	441-1439-00
	198-3985-00			1						WIRE SET,ELEC:	0000M	198-3985-00
	175-0825-01			FT						.CABLE,SP,ELEC:	08261	SS1026710610C-X
-189	175-0863-00			FT						.WIRE,ELECTRICAL:2 WIRE RIBBON	08261	SS-0222-7(1061)
-190	175-0827-00			FT						.CABLE,SP,ELEC:4,26 AWG,STRD.PVC JKT,RBN	08261	SS04267(1061)0C
	175-0861-00			FT						.WIRE,ELECTRICAL:4 WIRE RIBBON	08261	SS-0422-7(1061)
-191	175-0828-00			FT						.WIRE,ELECTRICAL:5 WIRE RIBBON	08261	SS-0526-710610C
-192	175-0832-00			FT						.WIRE,ELECTRICAL:9 WIRE RIBBON	08261	SS-0926(1061)0C
	175-0826-01			FT						.CABLE,SP,ELEC:9,26 AWG,STRD.PVC JKT,RBN	08261	SS0926710610C-X

**Replaceable Mechanical Parts—305 Service**

Fig. & Index No.	Tektronix Part No.	Serial/Model No.		Qty	1 2 3 4 5	Name & Description	Mfr	
		Eff	Dscont				Code	Mfr Part Number
2-193	131-0707-00	.300001	.300110	99		.CONNECTOR,TERM:22-26 AWG,BRS & CU BE GOLD	22526	47439
	131-0707-00	.300111	.303550	97		.CONNECTOR,TERM:22-26 AWG,BRS & CU BE GOLD	22526	47439
	131-0707-00	.303551		5		.CONNECTOR,TERM:22-26 AWG,BRS & CU BE GOLD	22526	47439
	131-2834-00			19		.CONNECTOR,TERM:24-32 AWG,PH BRZ		
-194	131-0621-00	.300001	.300110	6		.CONNECTOR,TERM:22-26 AWG,BRS & CU BE GOLD	22526	46231
	131-0621-00	.300111		8		.CONNECTOR,TERM:22-26 AWG,BRS & CU BE GOLD	22526	46231
-195	352-0171-00	.300001	.300110	1		.HLDR,TERM CONN:1 WIRE BLACK	80009	352-0171-00
-196	352-0169-00	.300001	.300110	6		.HLDR,TERM CONN:2 WIRE BLACK	80009	352-0169-00
	352-0169-00	.300111	.303550	5		.HLDR,TERM CONN:2 WIRE BLACK	80009	352-0169-00
	352-0169-00	.303551		1		.HLDR,TERM CONN:2 WIRE BLACK	80009	352-0169-00
	352-0169-03	.300001	.300110	1		.CONN BODY,PL,EL:2 WIRE ORANGE	80009	352-0169-03
	352-0169-03	.300111	.303550	3		.CONN BODY,PL,EL:2 WIRE ORANGE	80009	352-0169-03
	352-0169-03	.303551		1		.CONN BODY,PL,EL:2 WIRE ORANGE	80009	352-0169-03
	352-0169-06	.300001	.303550	1		.CONN BODY,PL,EL:2 WIRE BLUE	80009	352-0169-06
	352-0169-09	.300001	.303550	1		.CONN BODY,PL,EL:2 WIRE WHITE	80009	352-0169-09
-197	352-0161-00			5		.HLDR,TERM CONN:3 WIRE,BLACK	80009	352-0161-00
	352-0161-02			1		.CONN BODY,PL,EL:3 WIRE RED	80009	352-0161-02
	352-0161-09			1		.CONN BODY,PL,EL:3 WIRE WHITE	80009	352-0161-09
-198	352-0162-00	.300001	.300110	5		.HLDR,TERM CONN:4 WIRE BLACK	80009	352-0162-00
	352-0162-00	.300111	.303550	3		.HLDR,TERM CONN:4 WIRE BLACK	80009	352-0162-00
	352-0162-00	.303551		1		.HLDR,TERM CONN:4 WIRE BLACK	80009	352-0162-00
	352-0162-08	.300111	.303550	2		.CONN BODY,PL,EL:4 WIRE GRAY	80009	352-0162-08
-199	352-0163-00	.300001	.303550	2		.CONN BODY,PL,EL:5 WIRE BLACK	80009	352-0163-00
-200	352-0197-00	.300001	.300110	2		.CONN BODY,PL,EL:1 WIRE BLACK	80009	352-0197-00
	352-0197-00	.300111		4		.CONN BODY,PL,EL:1 WIRE BLACK	80009	352-0197-00
-201	352-0198-00			2		.HLDR,TERM CONN:2 WIRE BLACK	80009	352-0198-00

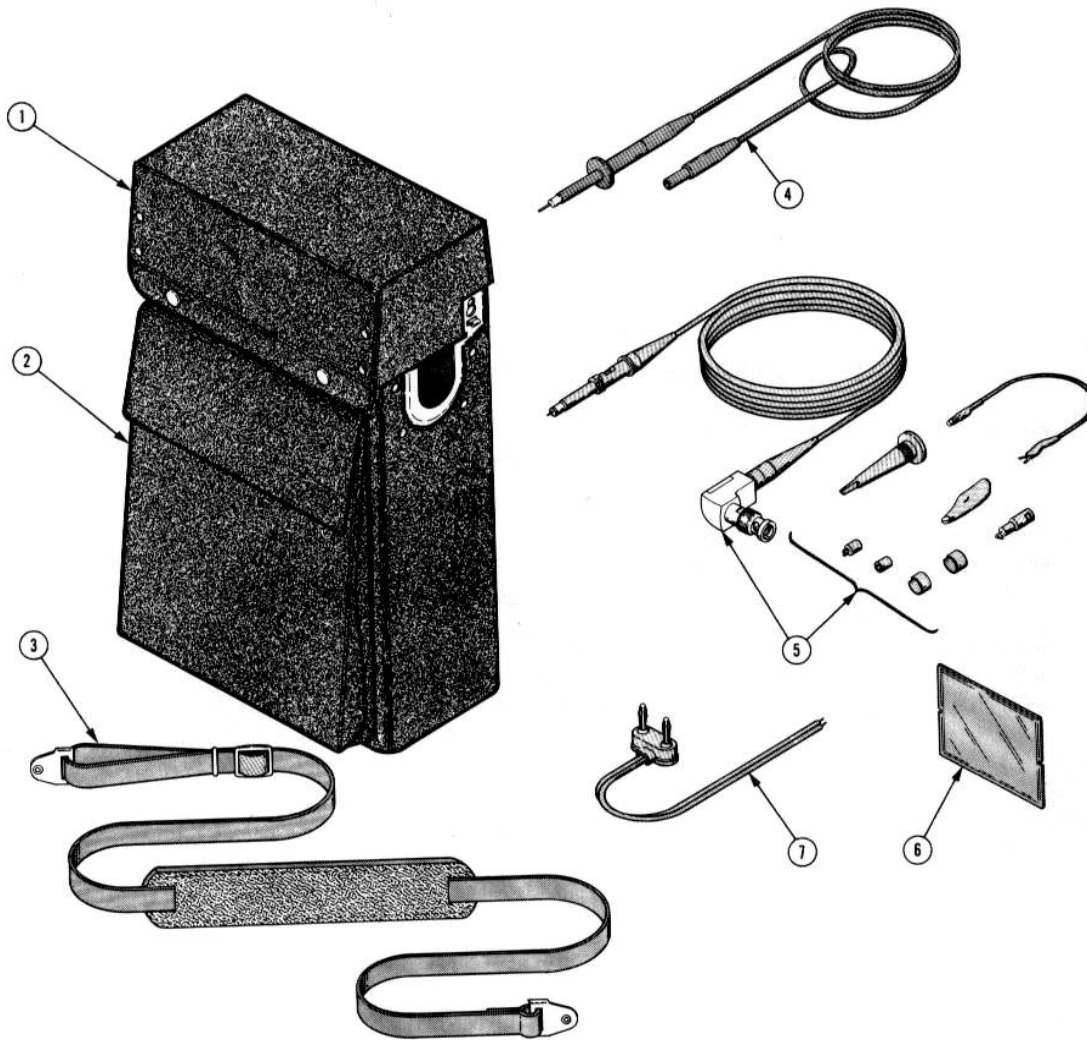


Fig. & Index No.	Tektronix Part No.	Serial/Model No. Eff	Dscont	Qty	1	2	3	4	5	Name & Description	Mfr Code	Mfr Part Number
3-1	200-2260-00			1						COVER, CARYG CASE:	0000M	200-2260-00
-2	016-0401-00			1						CASE, CARRYING:	0000M	016-0401-00
-3	346-0131-00			1						STRAP ASSY, CRYG	0000M	346-0131-00
-4	012-0732-00			1						LEAD SET, ELEC:UL RATED	80009	012-0732-00
-5	010-6149-03			2						PROBE, VOLTAGE:P6149, 2 METER, 10X W/ACCESS	80009	010-6149-03
-6	331-0394-01			1						WINDOW, CRT: CLEAR, PLASTIC	0000M	331-0394-01
-7	012-0406-00			1						CABLE ASSY: PWR DL	0000M	012-0406-00
	159-0164-00			2						FUSE, CARTRIDGE: 0.1A, 250V, 5 SEC	0000M	159-0164-00
	159-0163-00			1						FUSE, CARTRIDGE: 0.25A, 250V, 0.2 SEC	0000M	159-0163-00
	159-0156-00			1						FUSE, CARTRIDGE: 1.5A, 250V	0000M	159-0156-00
	070-2423-01			1						MANUAL, TECH: SERVICE	80009	070-2423-01
	070-2424-00			1						MANUAL, TECH: OPERATORS	80009	070-2424-00

OPTIONAL ACCESSORIES

016-0297-00	1	VISOR, CRT:	80009	016-0297-00
016-0327-01	1	ADAPTER, CAMERA: EXTENSION	80009	016-0327-01
103-0033-00	1	ADAPTER, CONN: BNC TO BINDING POST	95712	2048-2NT34
378-0843-01	1	FILTER, LIGHT CRT: AMBER	80009	378-0843-01

