

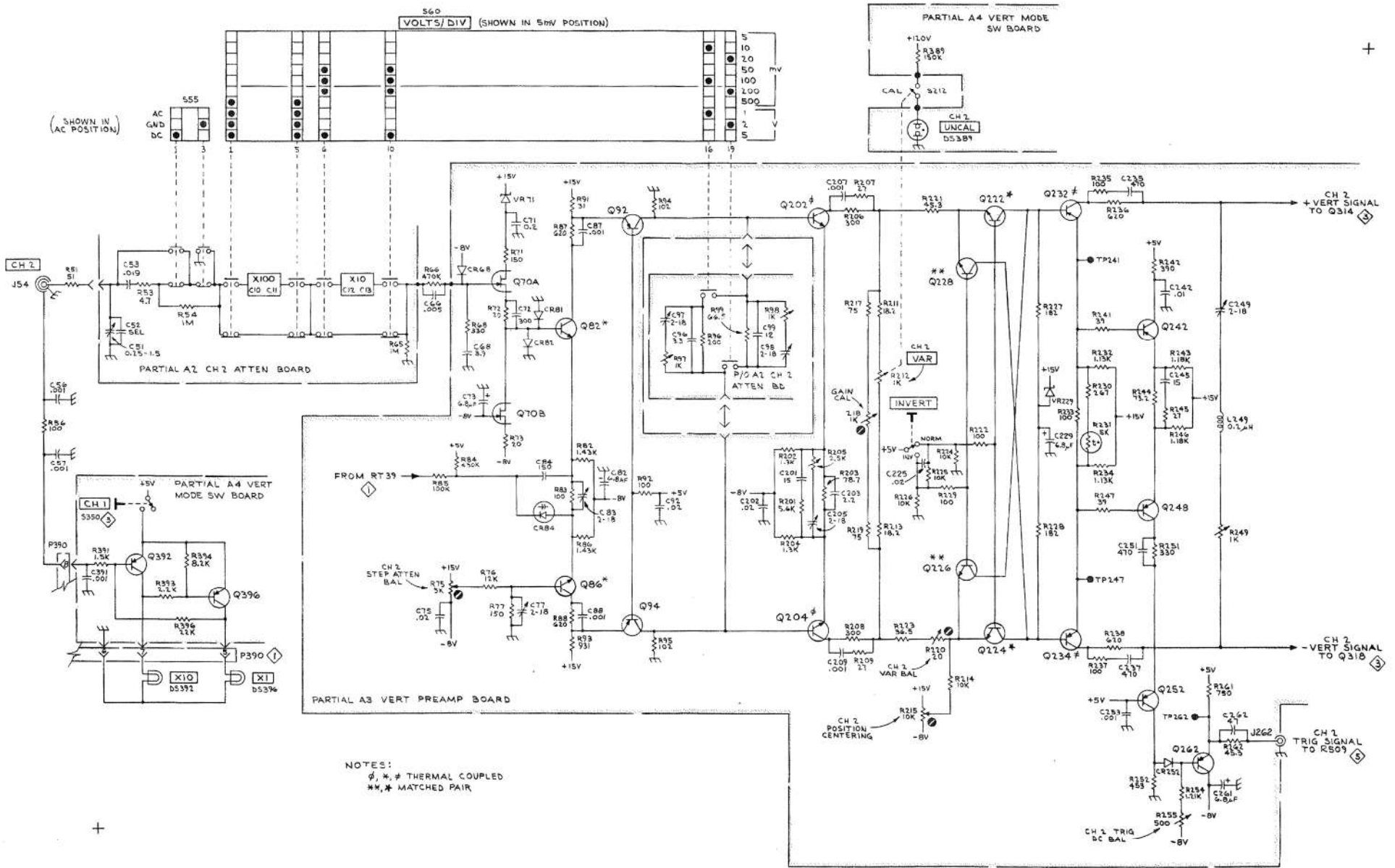
(SHOWN IN AC POS)

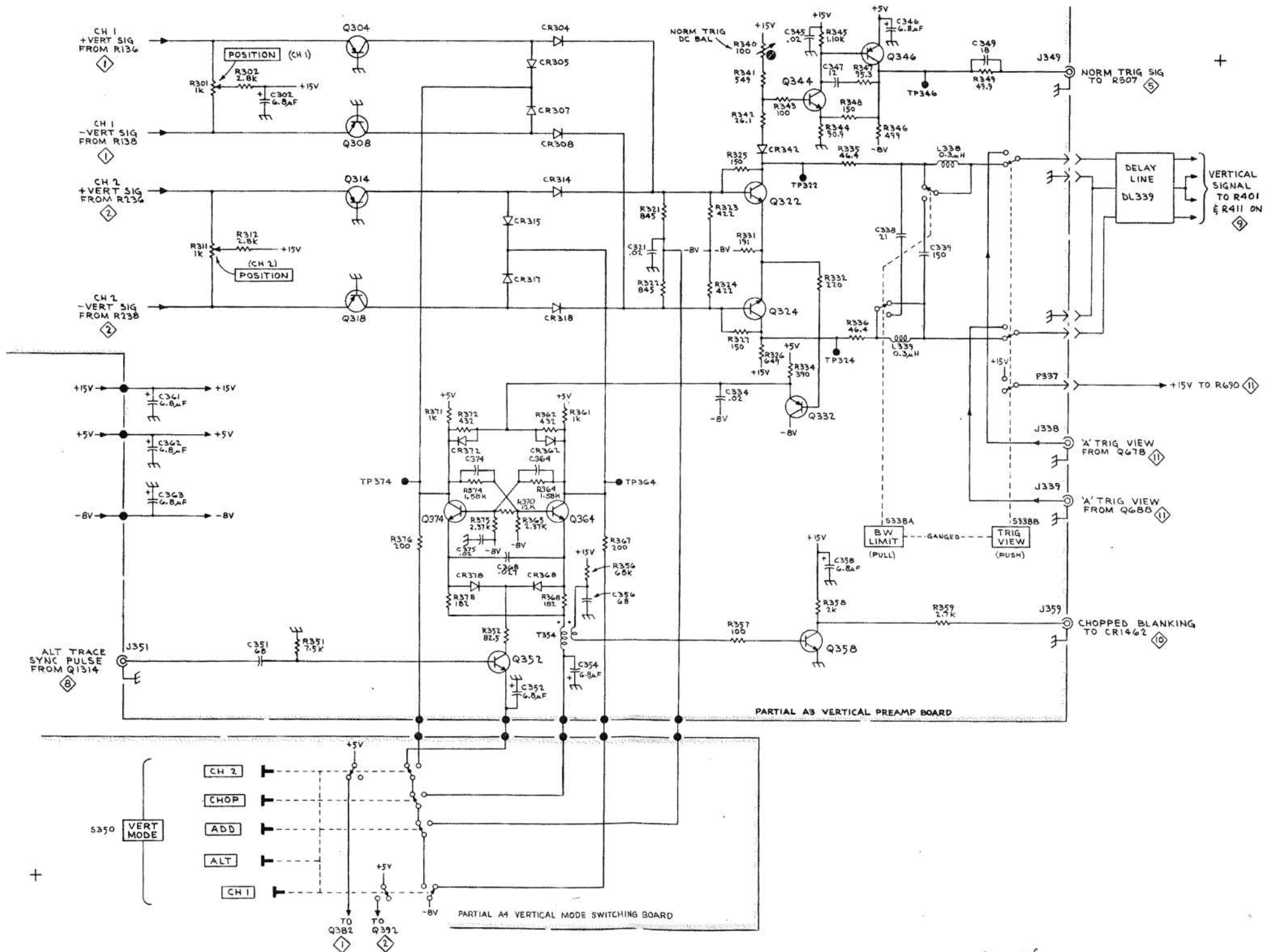
NOTE:
* , # = THERMAL COUPLED

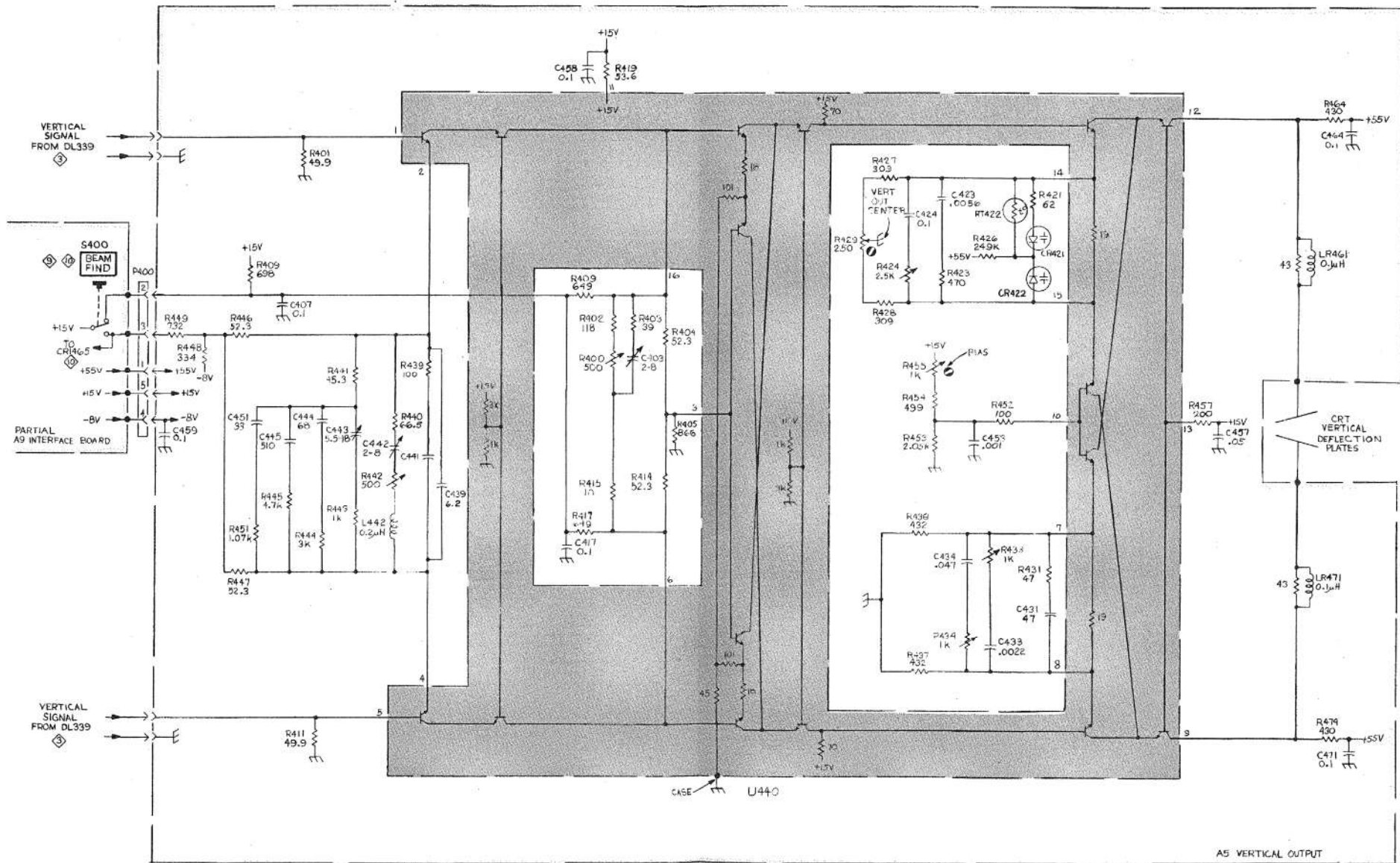
(A)

CH1 VERTICAL PREAMP

1



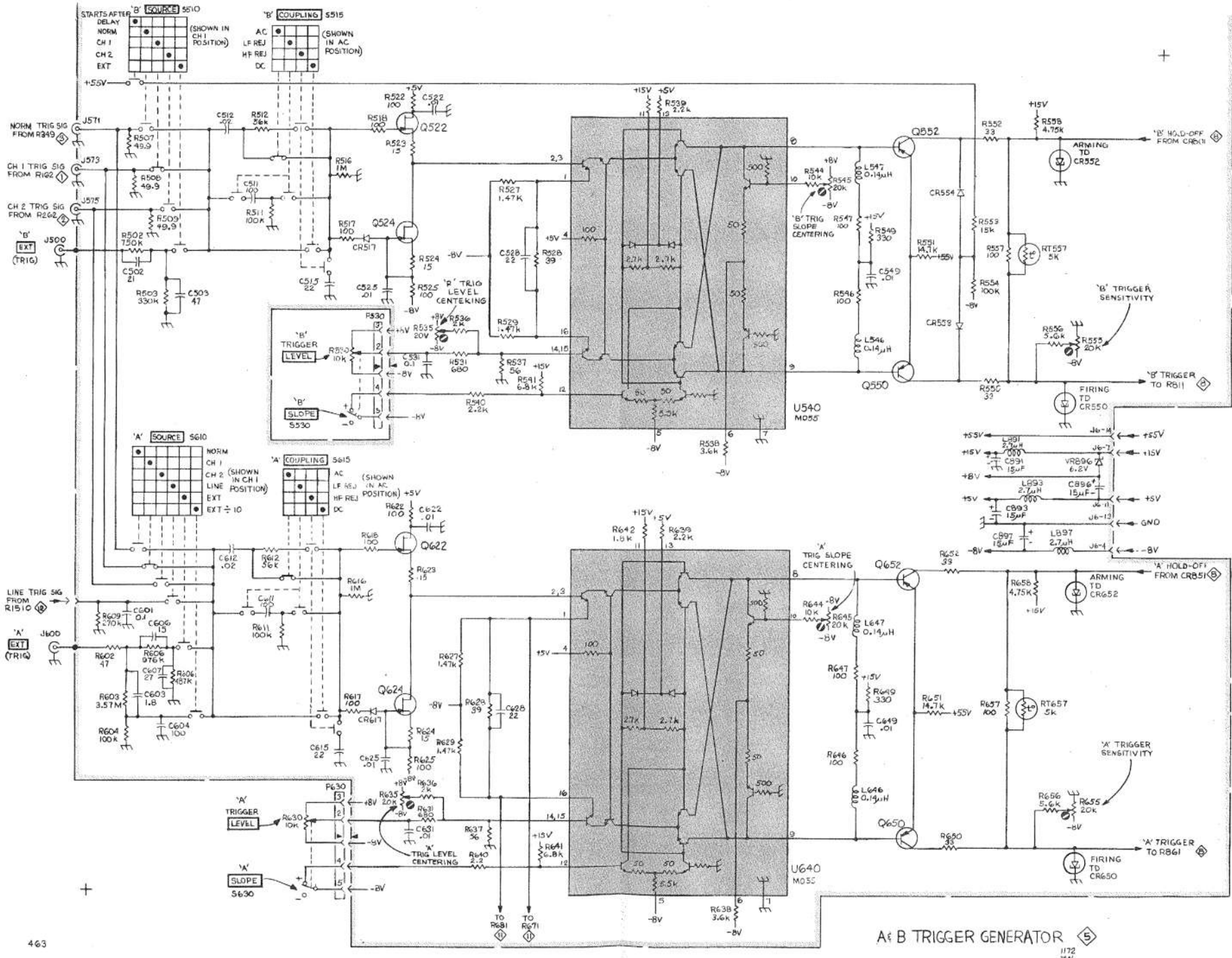




VERTICAL OUTPUT AMPLIFIER

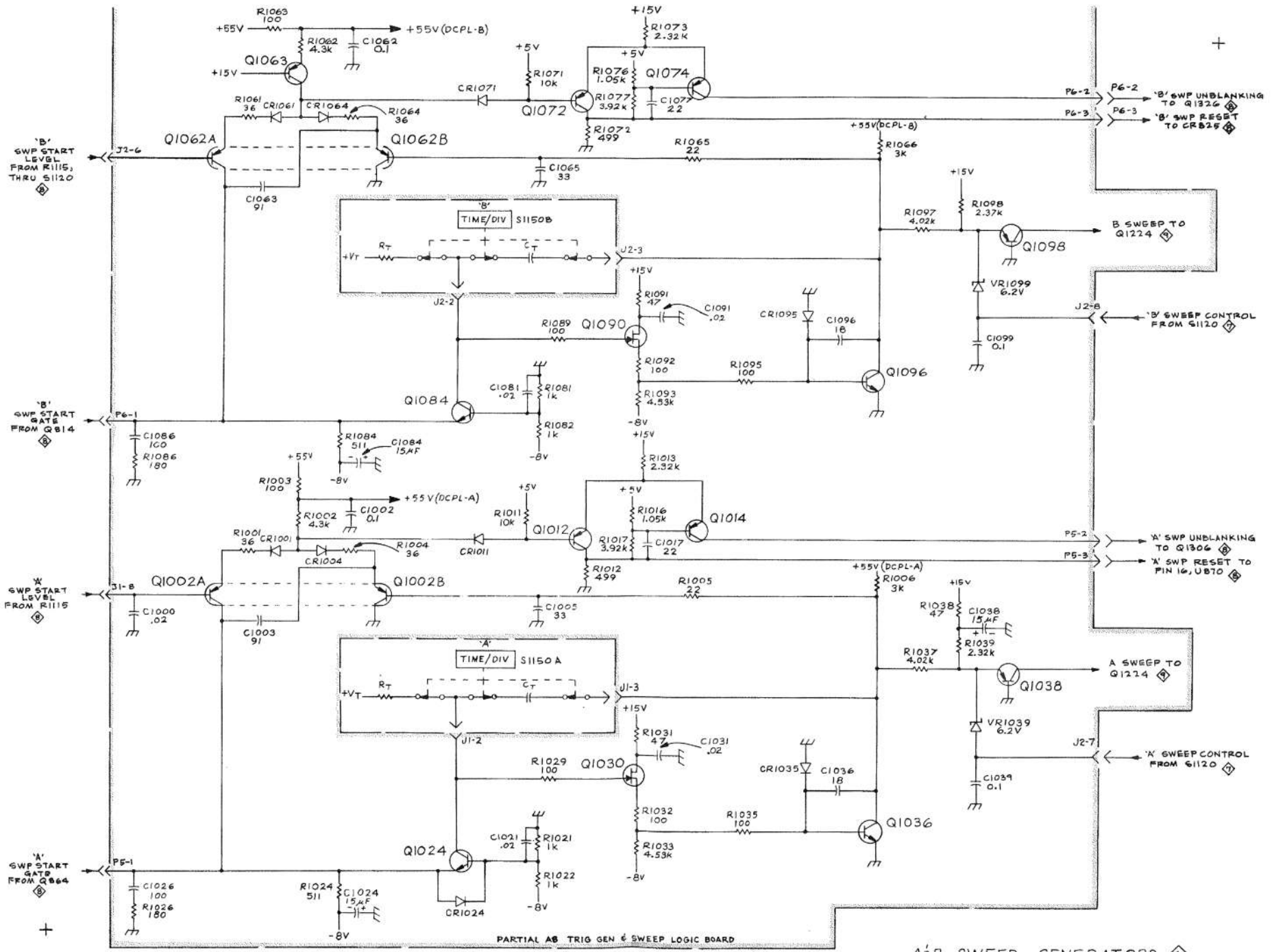
4

A5 VERTICAL OUTPUT



A & B TRIGGER GENERATOR

A & B TRIGGER GENERATOR 5



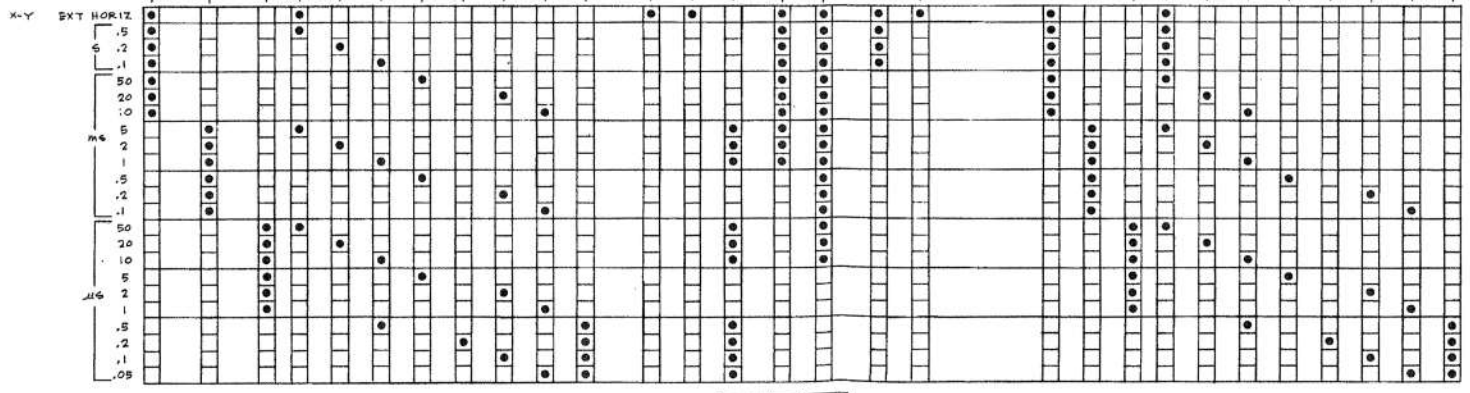
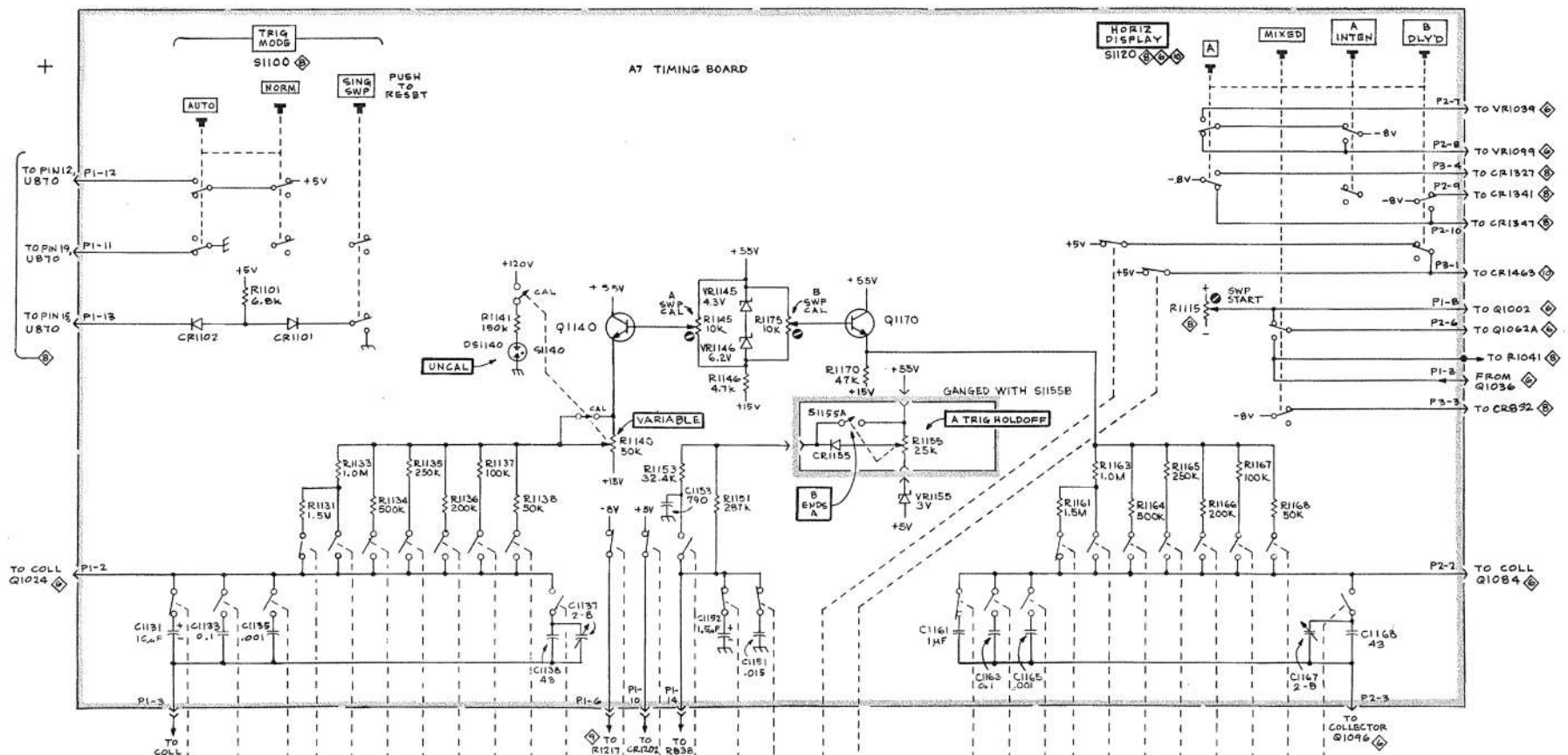
463 OSCILLOSCOPE

A

A-B SWEEP GENERATORS

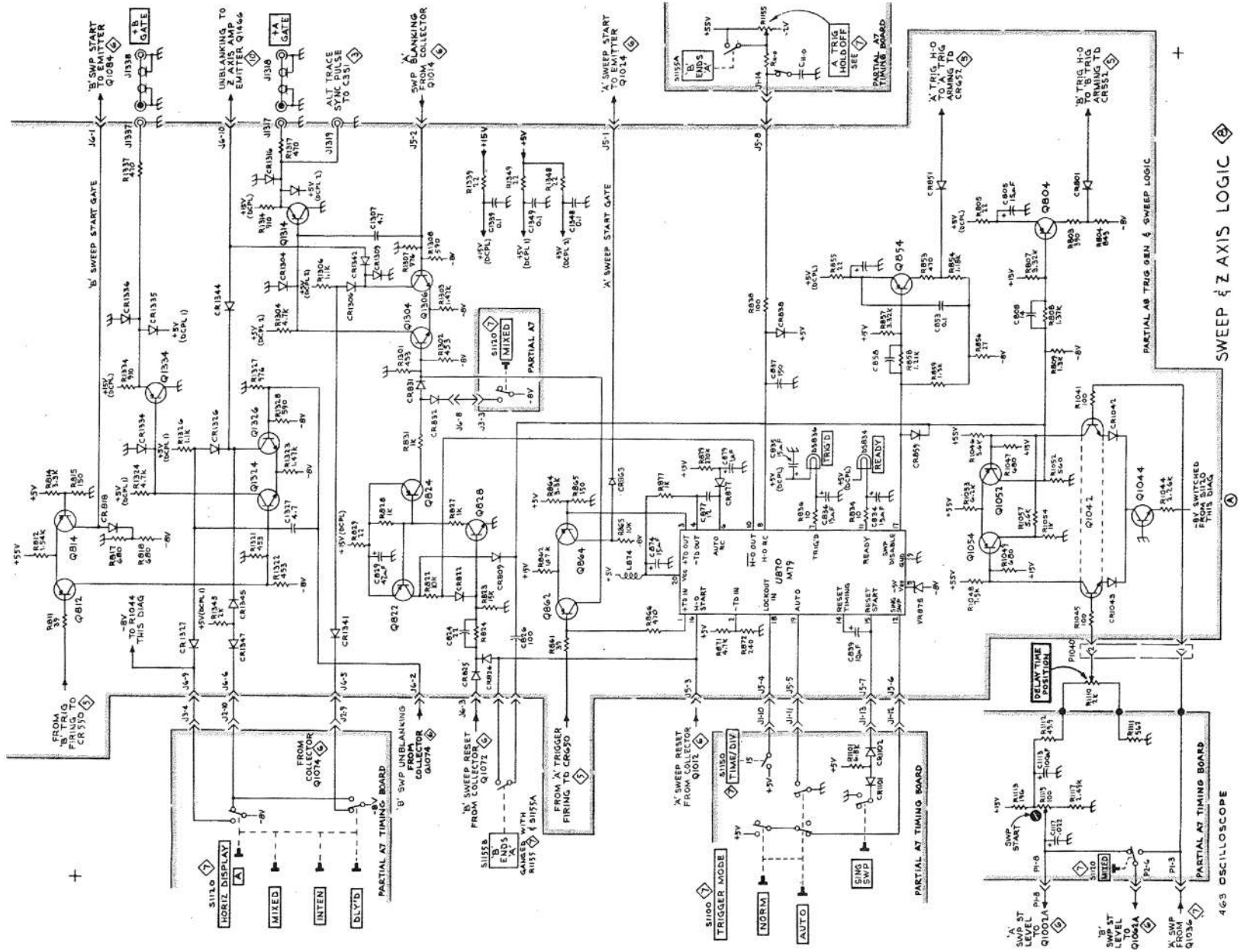
A-B SWEEP GENERATOR

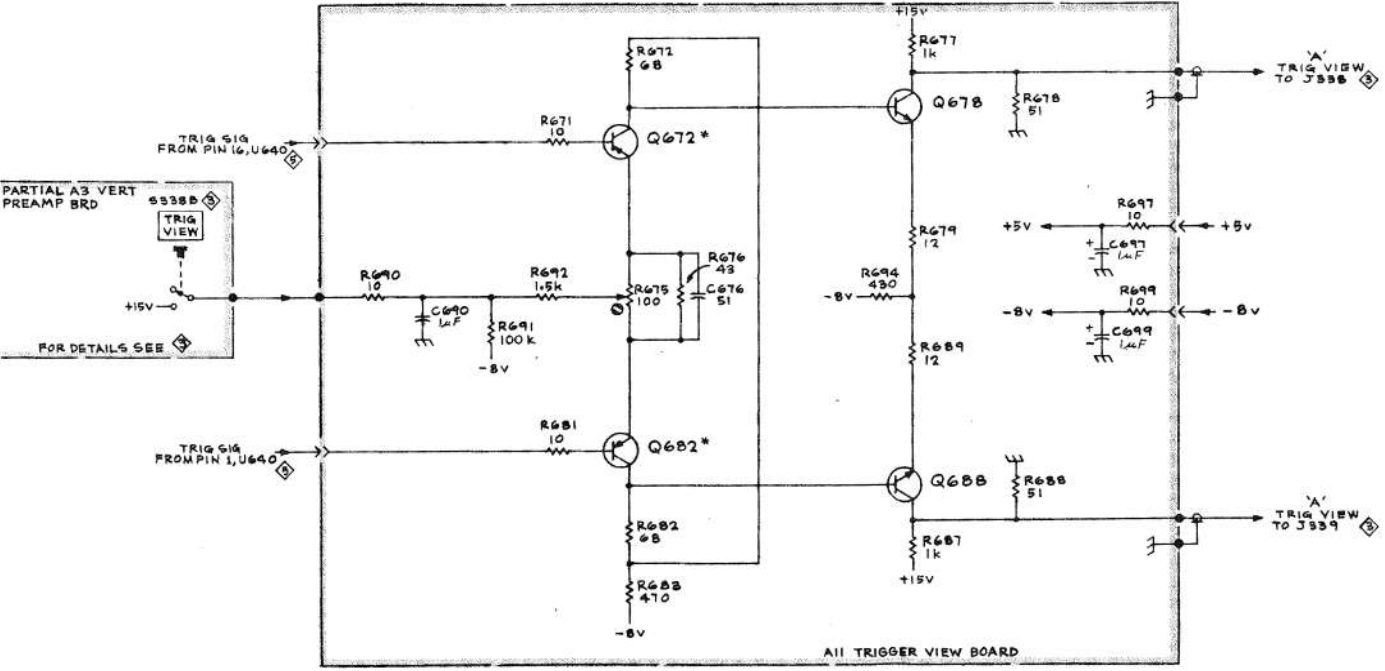
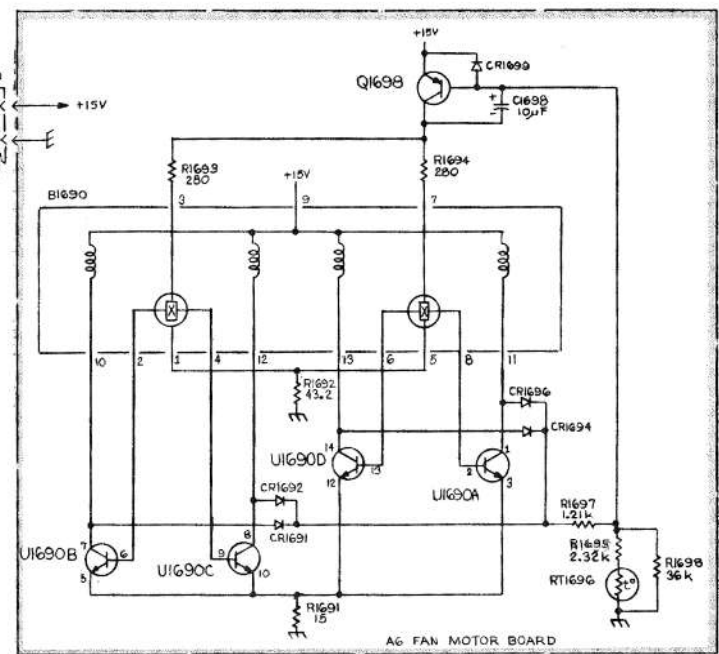
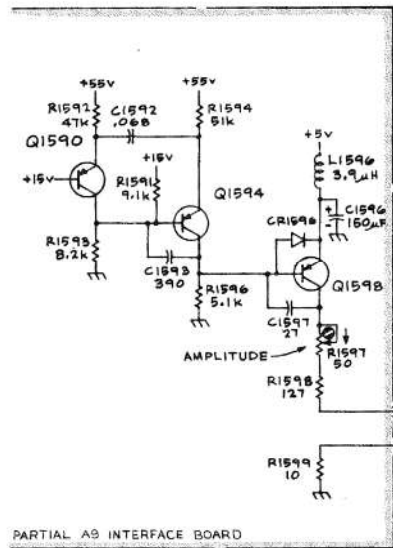
6



A AND B TIME / DIV AND DELAY TIME S1150 (SWITCH SHOWN IN EXT HORIZ POSITION)

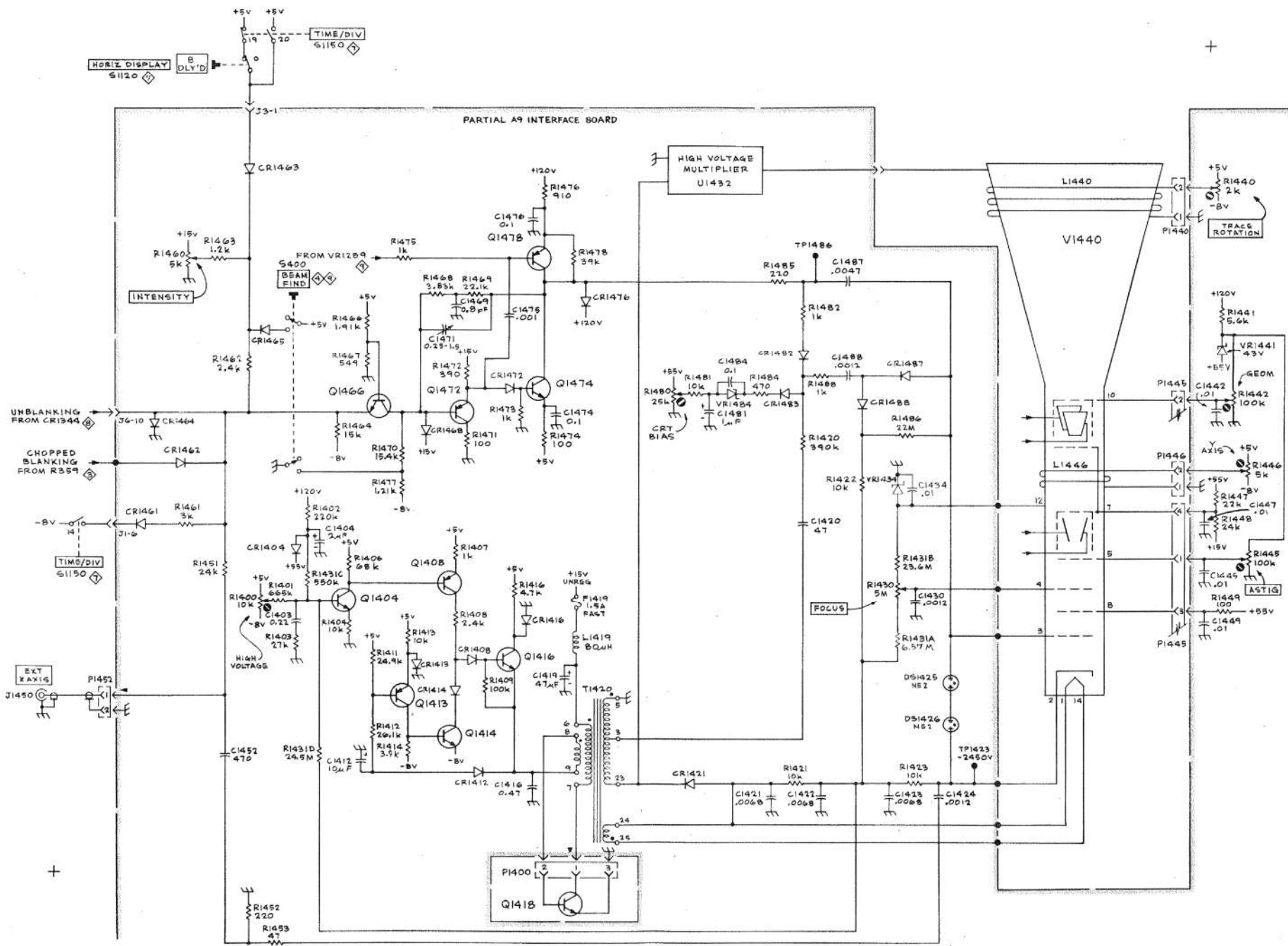
A & B TIMING SWITCH





* THERMAL COUPLED





463 OSCILLOSCOPE

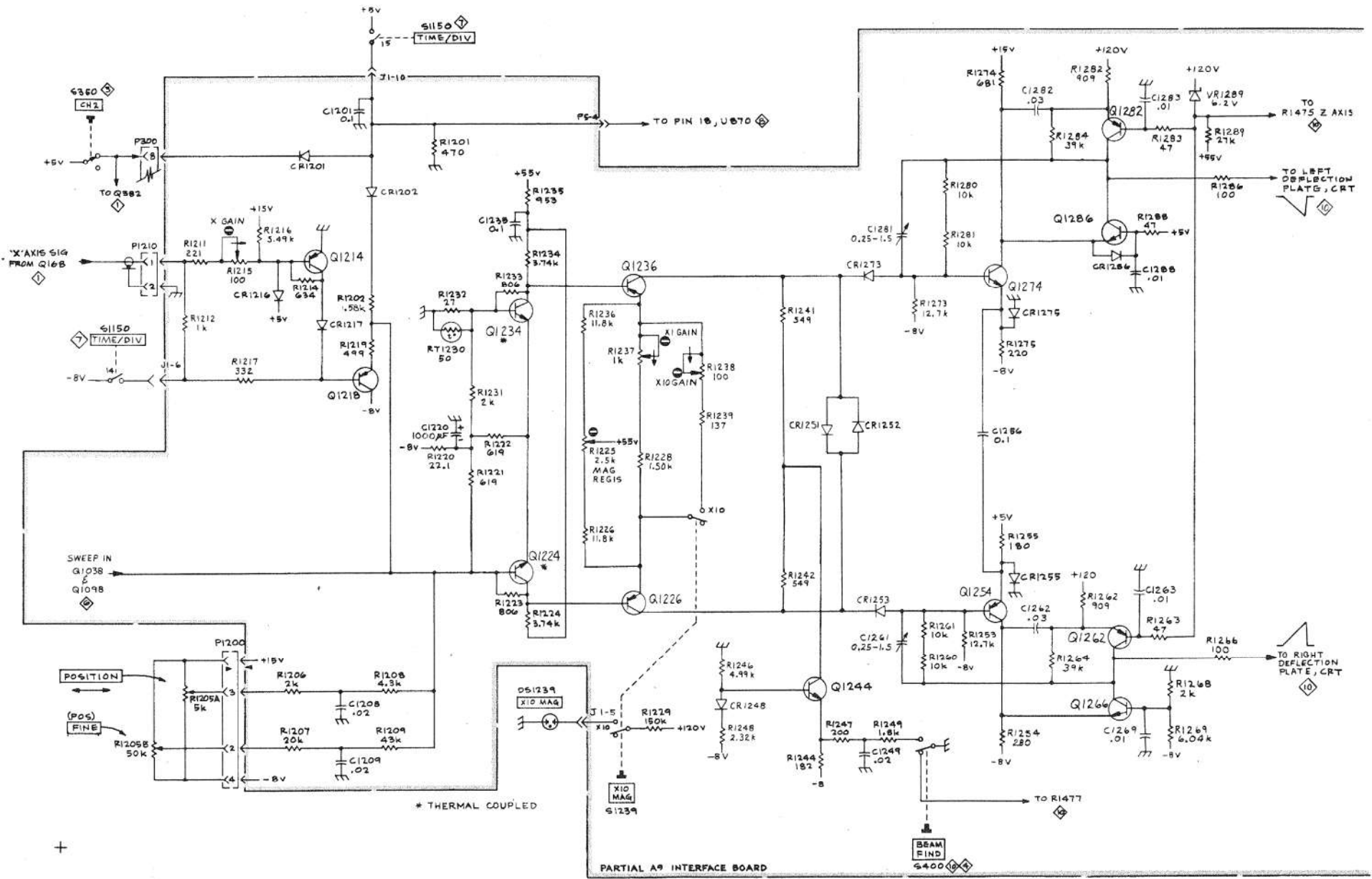
(A)

CRT CIRCUIT

CRT CIRCUIT

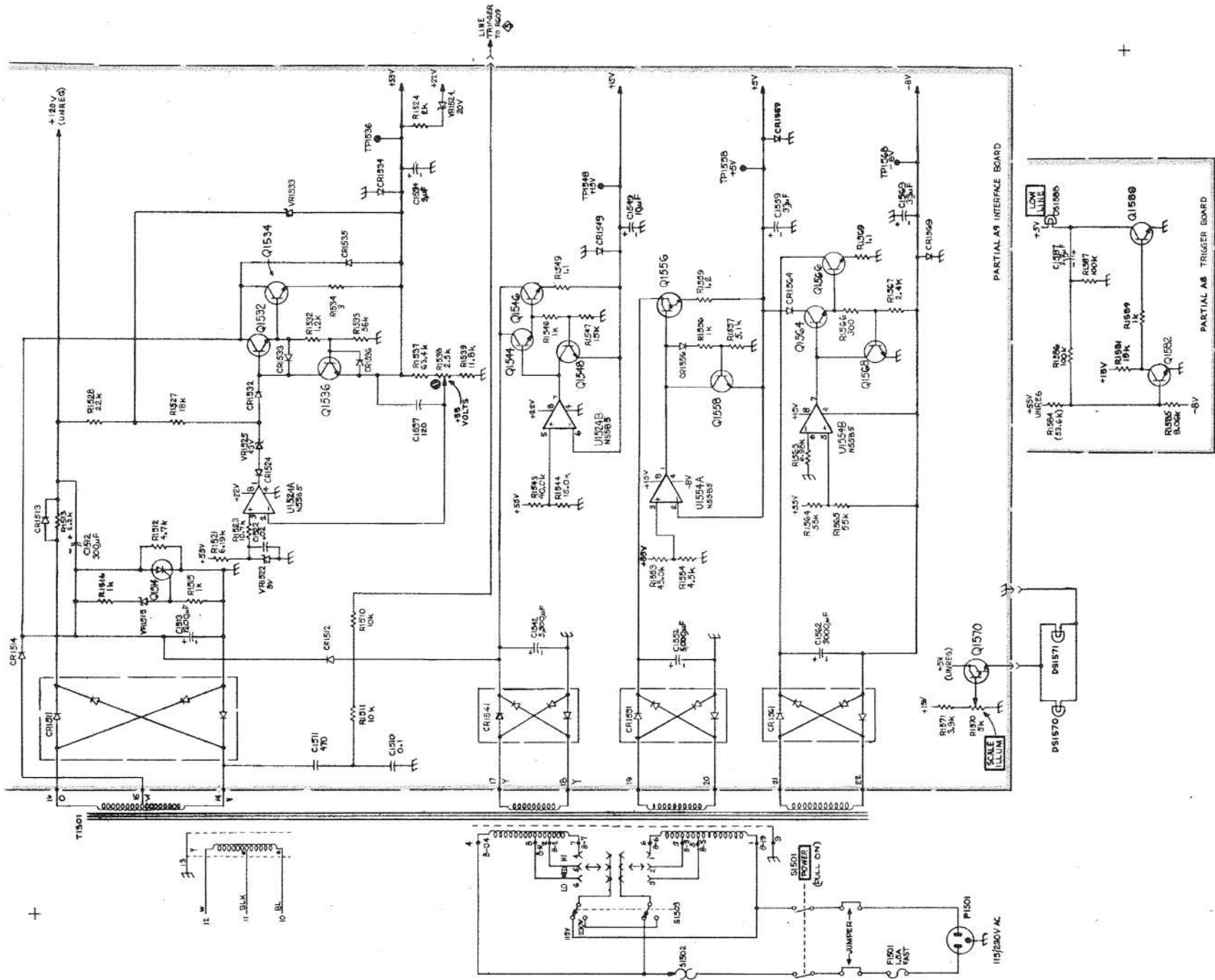
10

+



HORIZONTAL AMPLIFIER

9



POWER SUPPLY

A

463 OSCILLOSCOPE