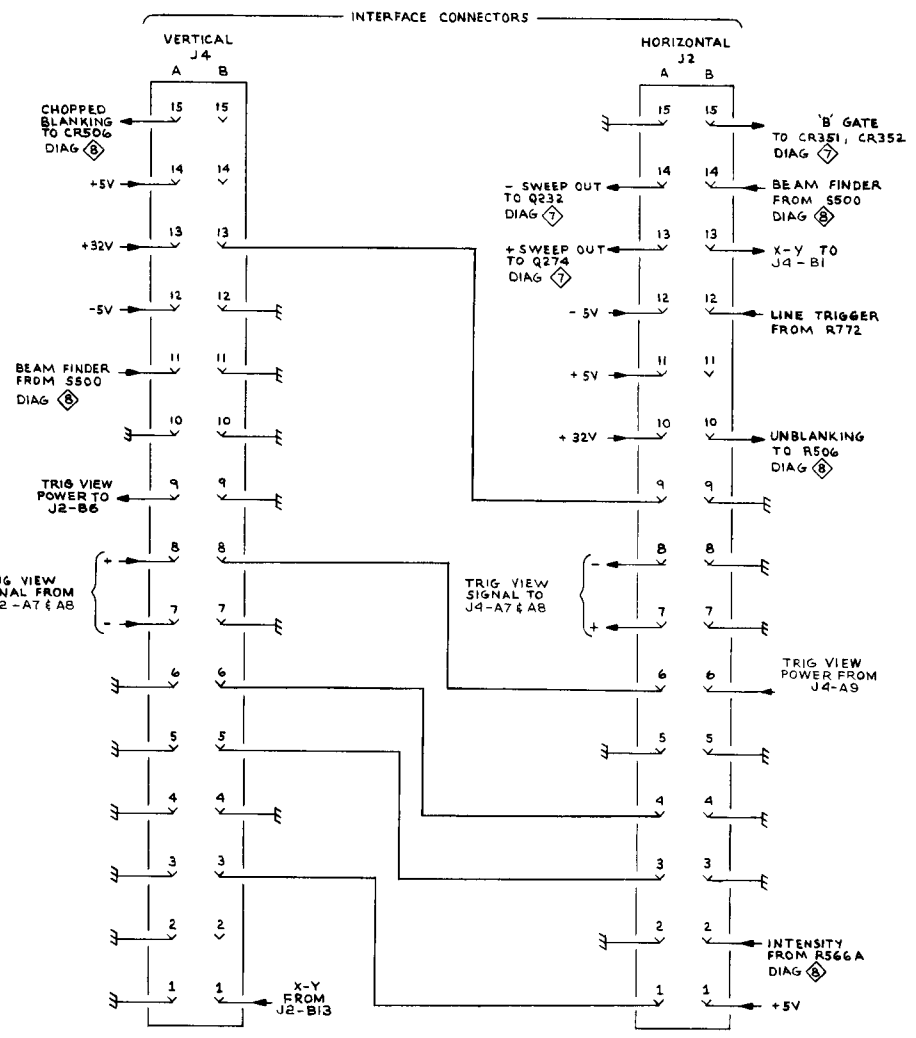


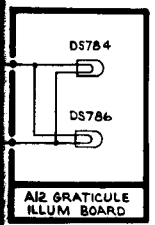
SEE PARTS LIST FOR EARLIER VALUES AND SERIAL NUMBER RANGES OF PARTS OUTLINED OR DEPICTED IN GREY.

POWER SUPPLY & INTERFACE

32V TO DIAG
32V TO DIAG
LINE TRIGGER
-5V TO DIAG
-5V TO DIAG
-5V TO DIAG
-5V TO DIAG



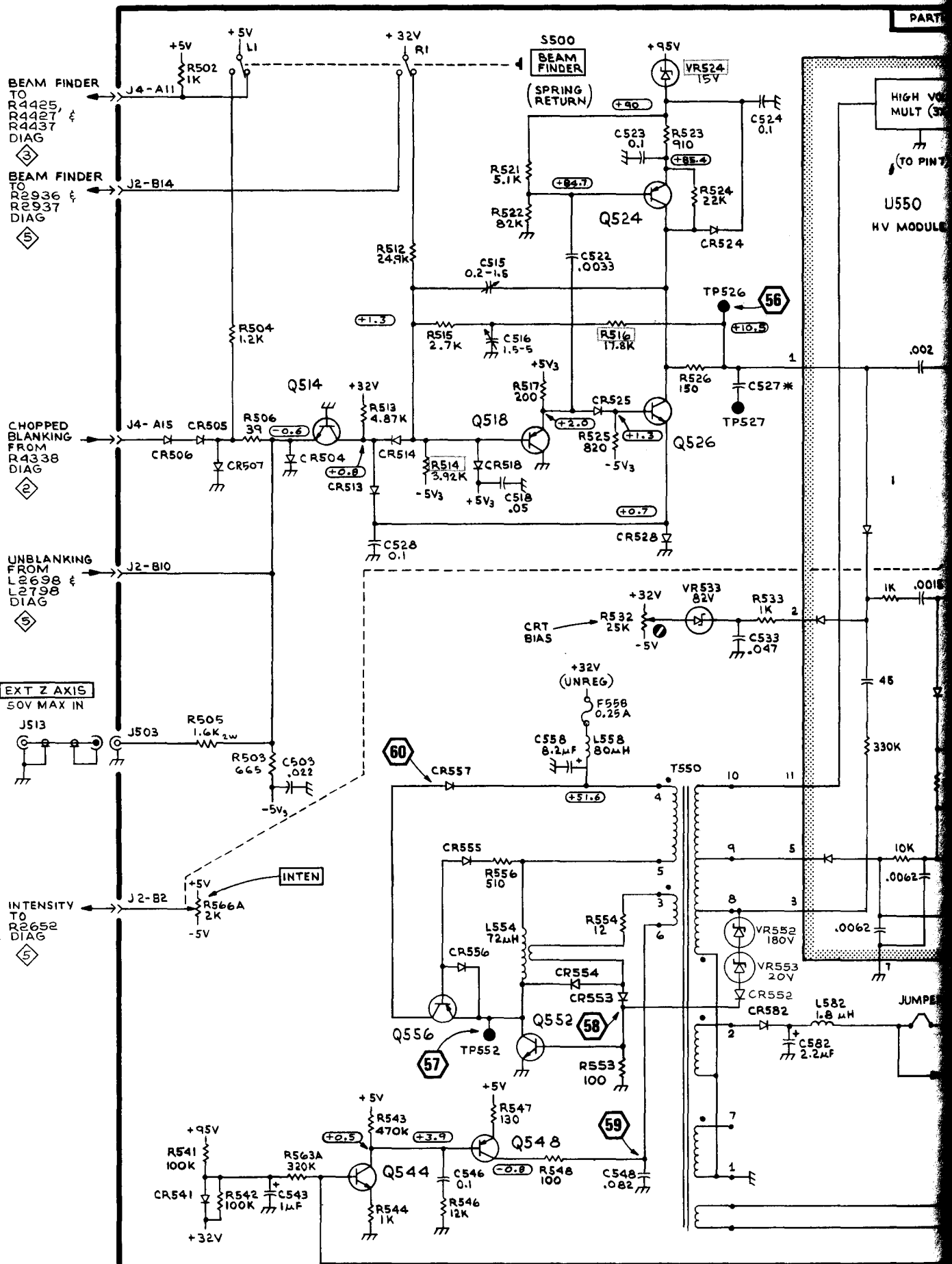
SEE PARTS LIST FOR EARLIER VALUES AND SERIAL NUMBER RANGES OF PARTS OUTLINED OR DEPICTED IN GREY.

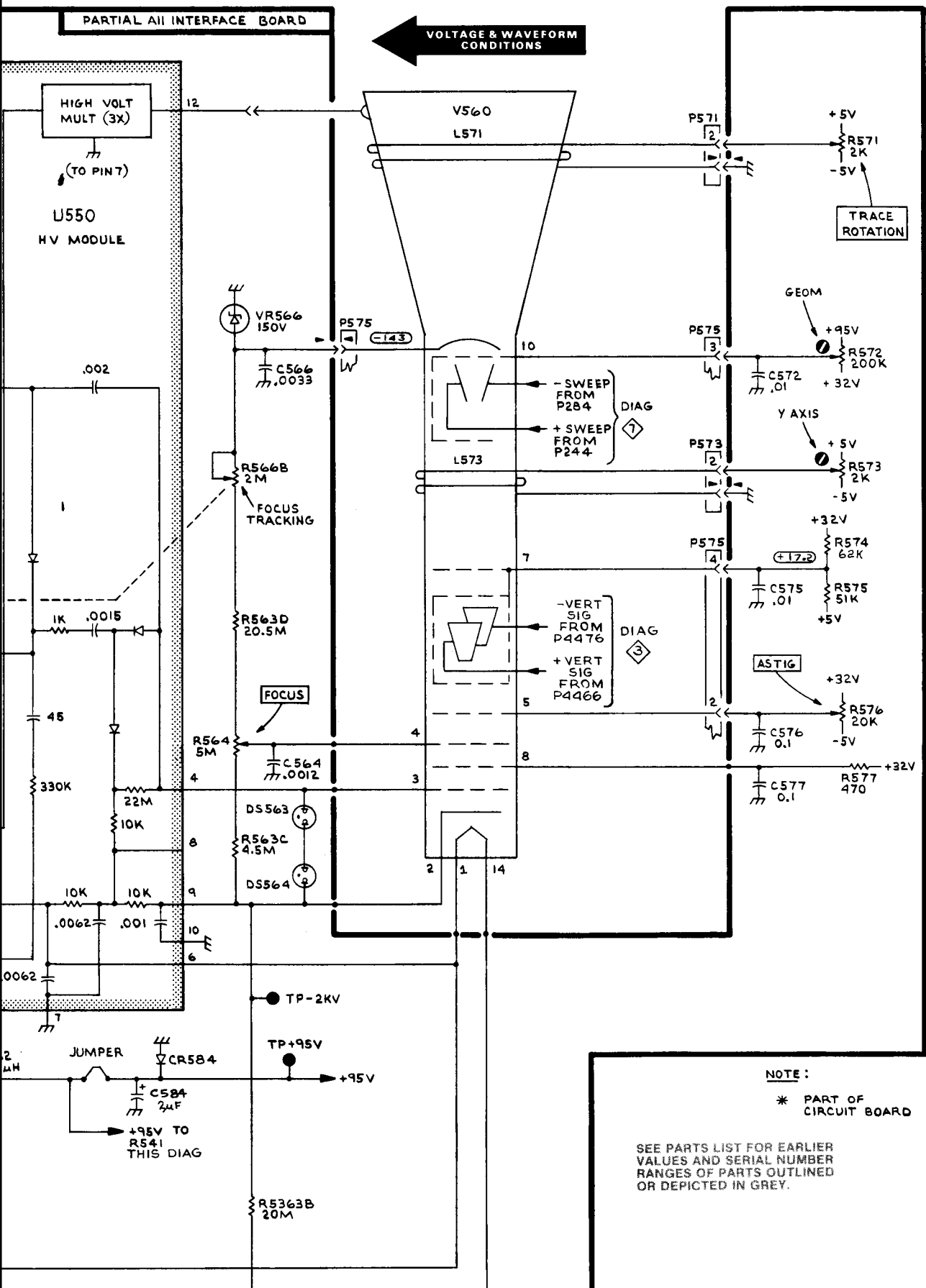


POWER SUPPLY & INTERFACE CONNECTORS

POWER SUPPLY & INTERFACE CONN. (FO-11)

FO-11 (Front)
(FO-11 Rear Blank)





CRT & Z AXIS (FO-10)

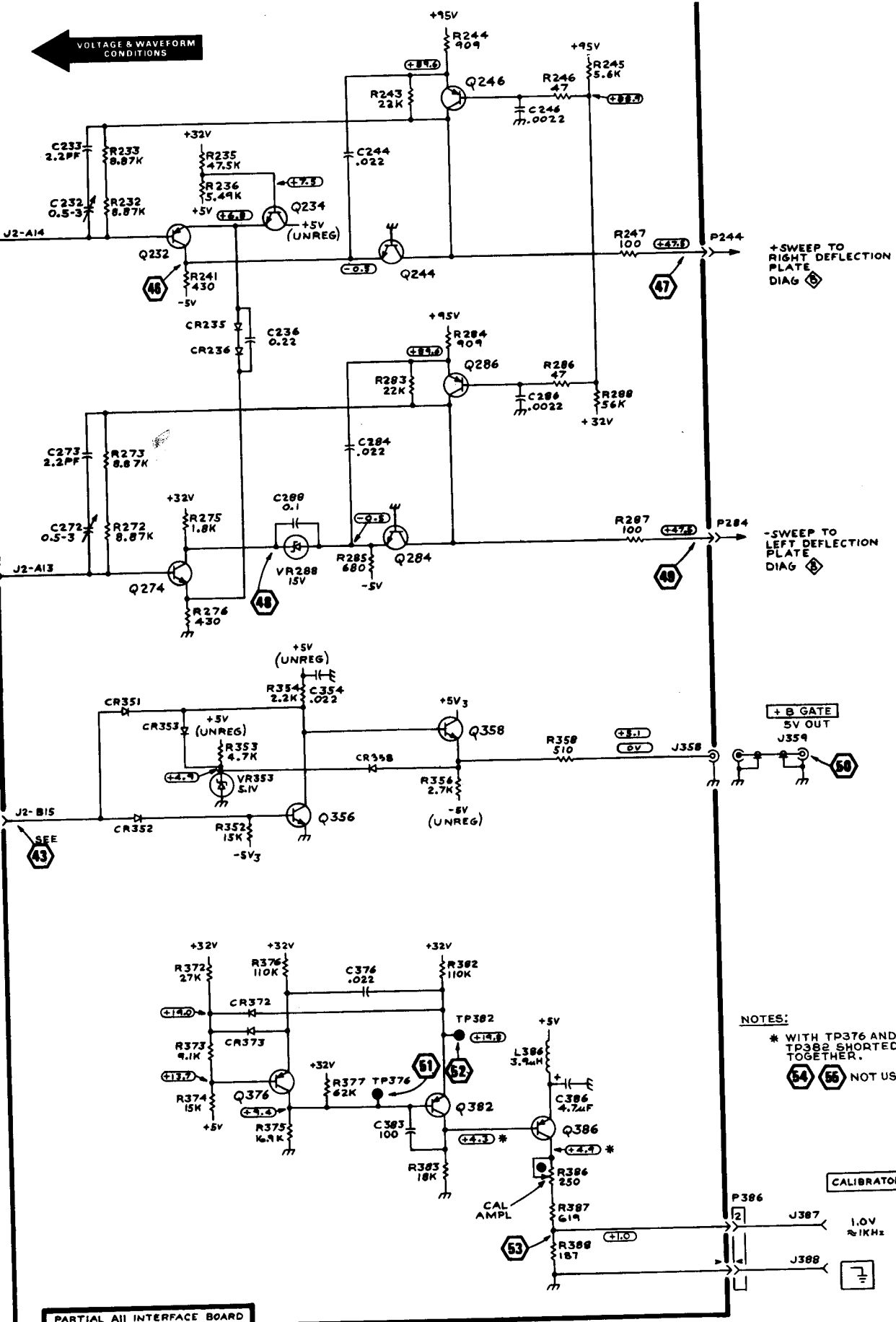
8

CRT & Z AXIS

8

FO-10 (Front)
FO-10 (Rear Blank)

VOLTAGE & WAVEFORM CONDITIONS



+SWEEP TO RIGHT DEFLECTION PLATE DIAG

-SWEEP TO LEFT DEFLECTION PLATE DIAG

+ B GATE SV OUT J359

NOTES:
 * WITH TP376 AND TP382 SHORTED TOGETHER.
 (54) (55) NOT USED.

CALIBRATOR

J387 1.0V ≈ 1KHz
 J388

HORIZ AMPL, +B GATE & CALIBRATOR (FO-9)

7

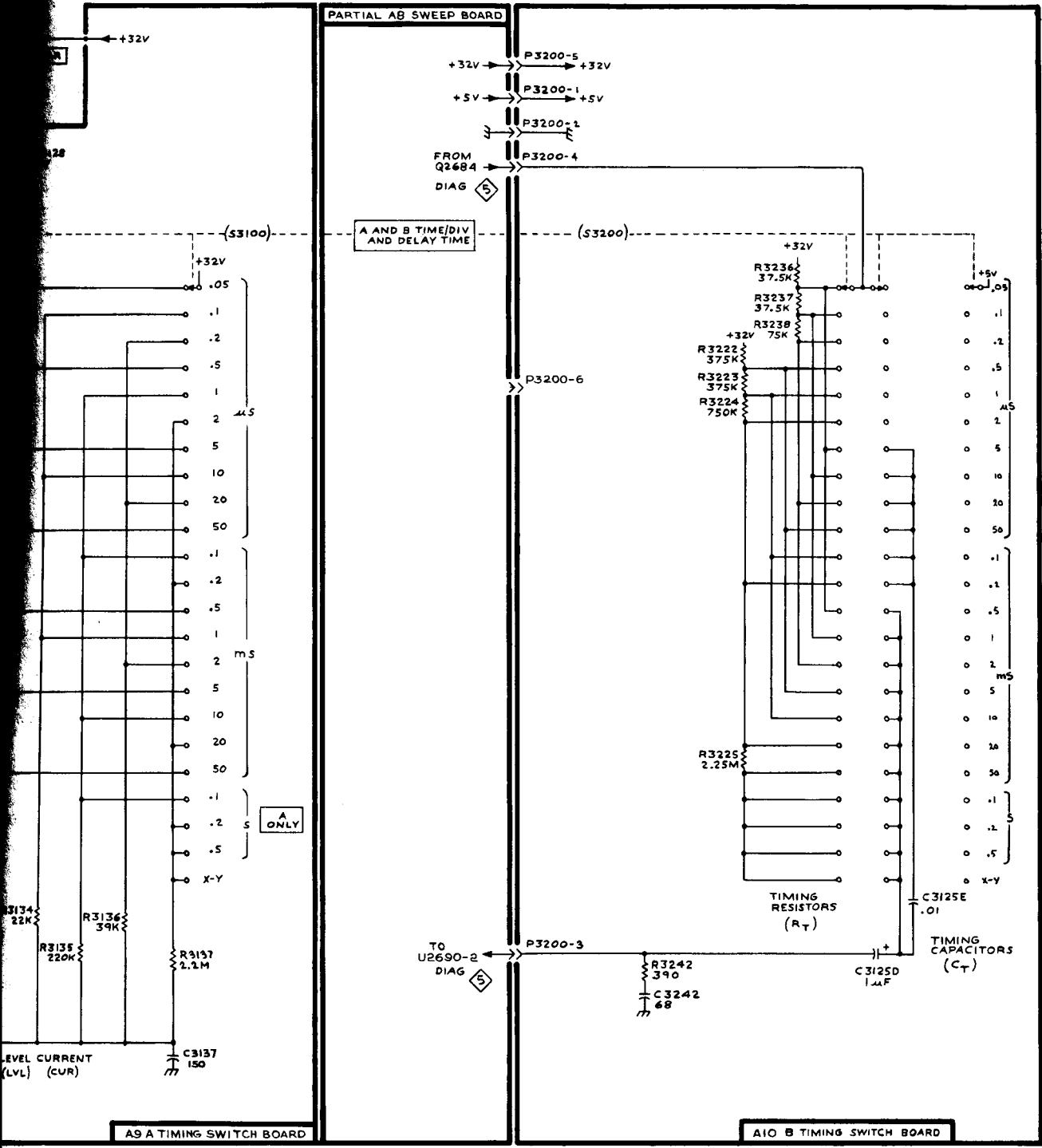
er S

PARTIAL AII INTERFACE BOARD

2137-104
 REV B FEB 1981

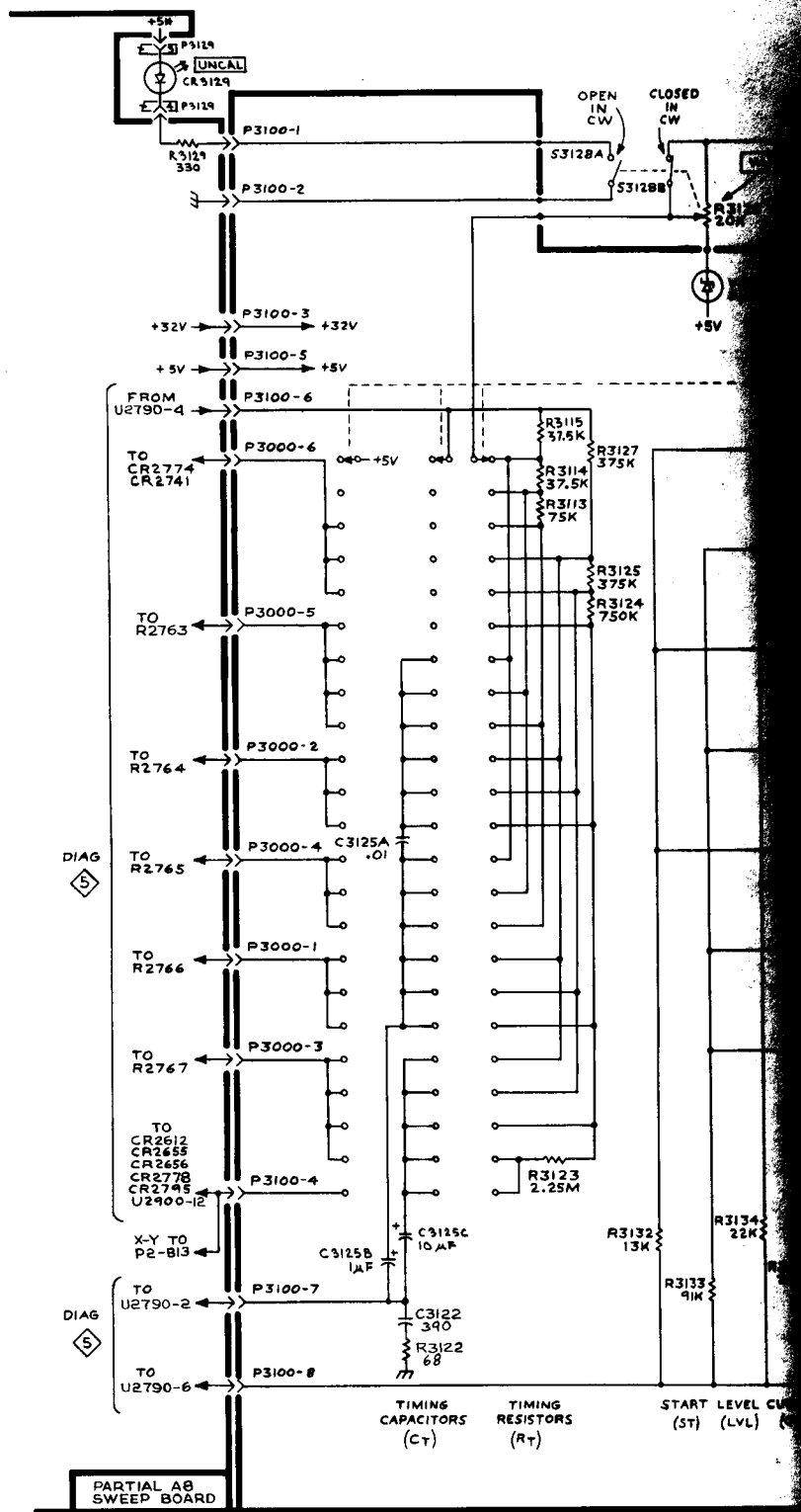
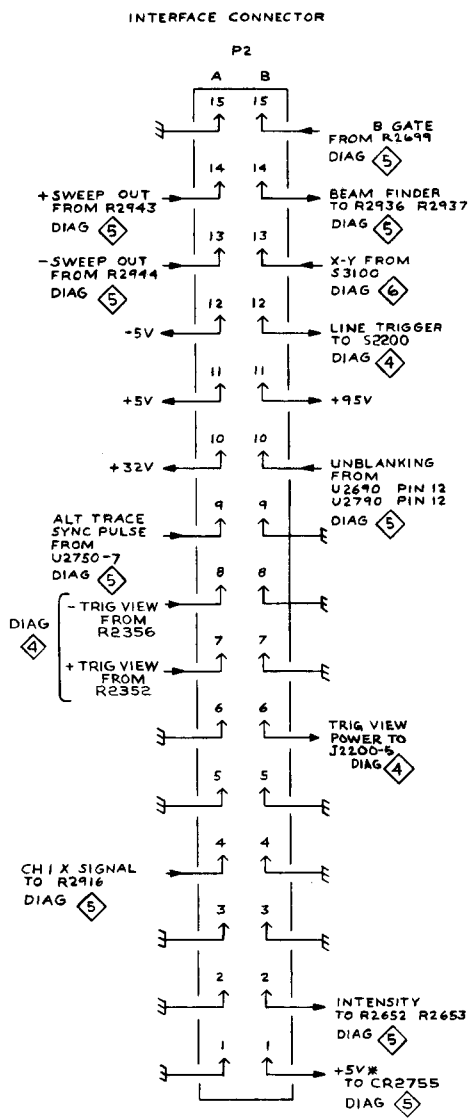
HORIZONTAL AMPLIFIER, + B GATE & CALIBRATOR 7

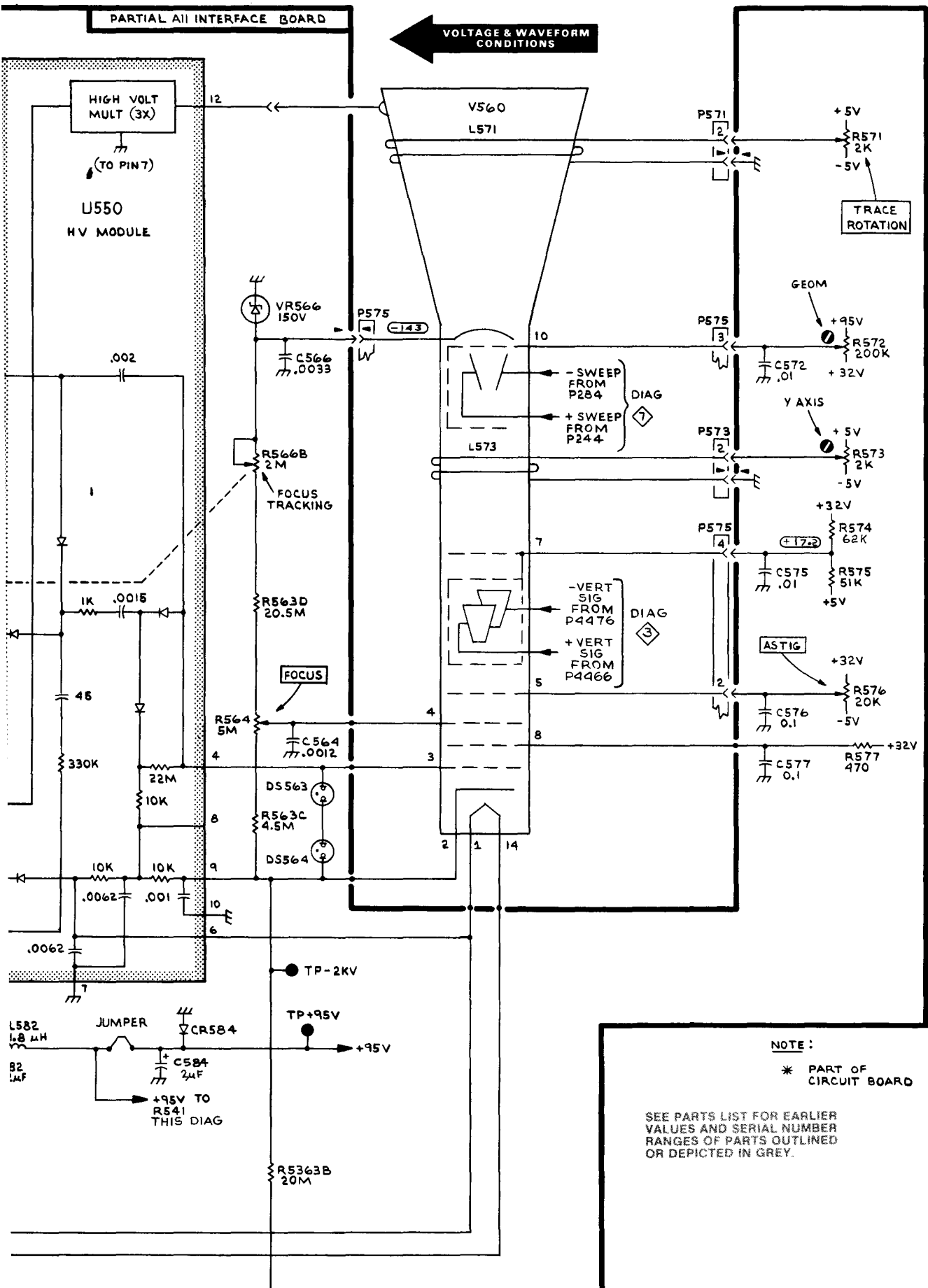
FO-9 (Front)
 (FO-9 Rear Blank)



A & B TIMING SWITCH & INTERFACE CONNECTOR 6

FO-8 (Front)
 (FO-8 Rear Blank)



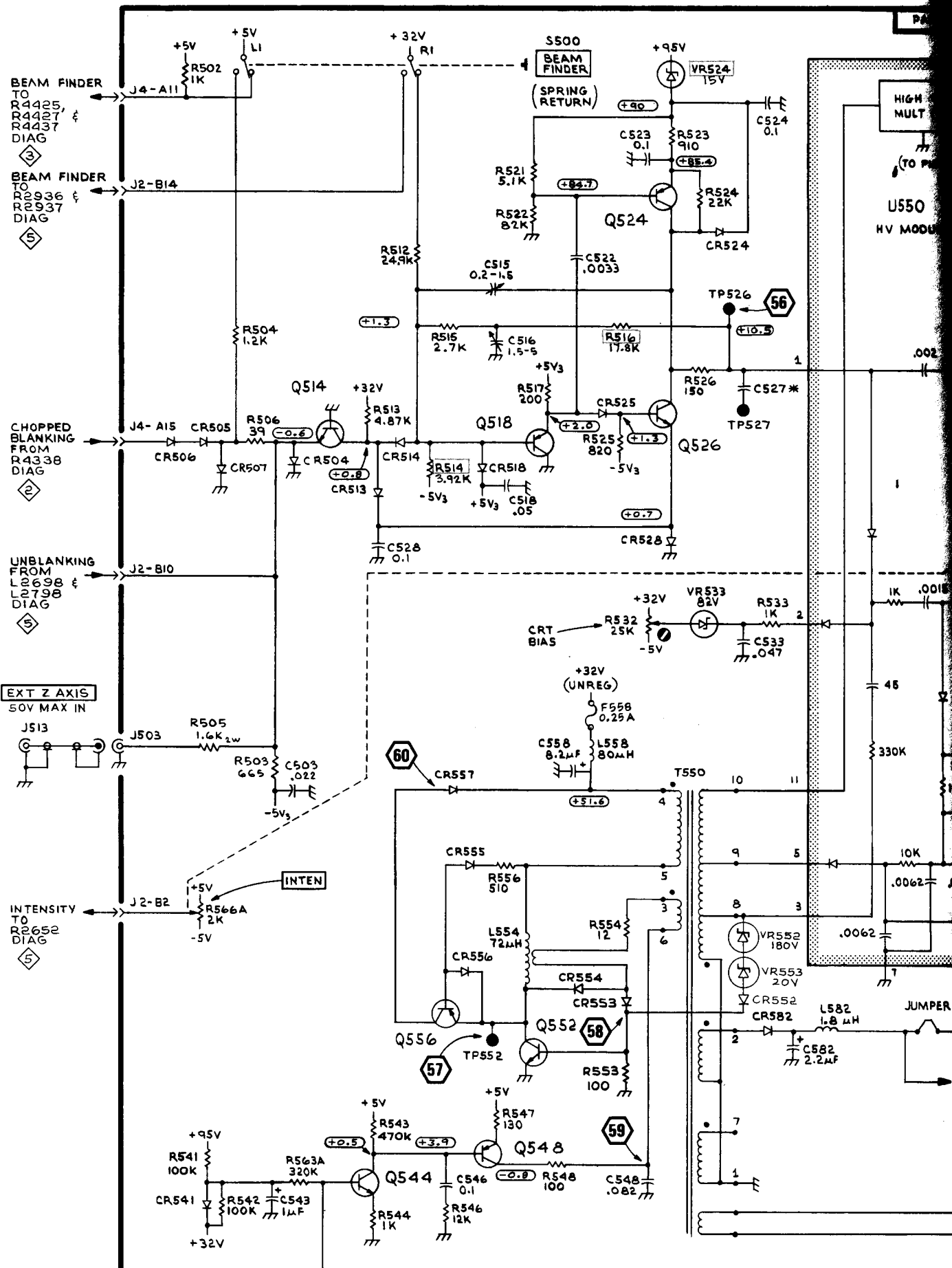


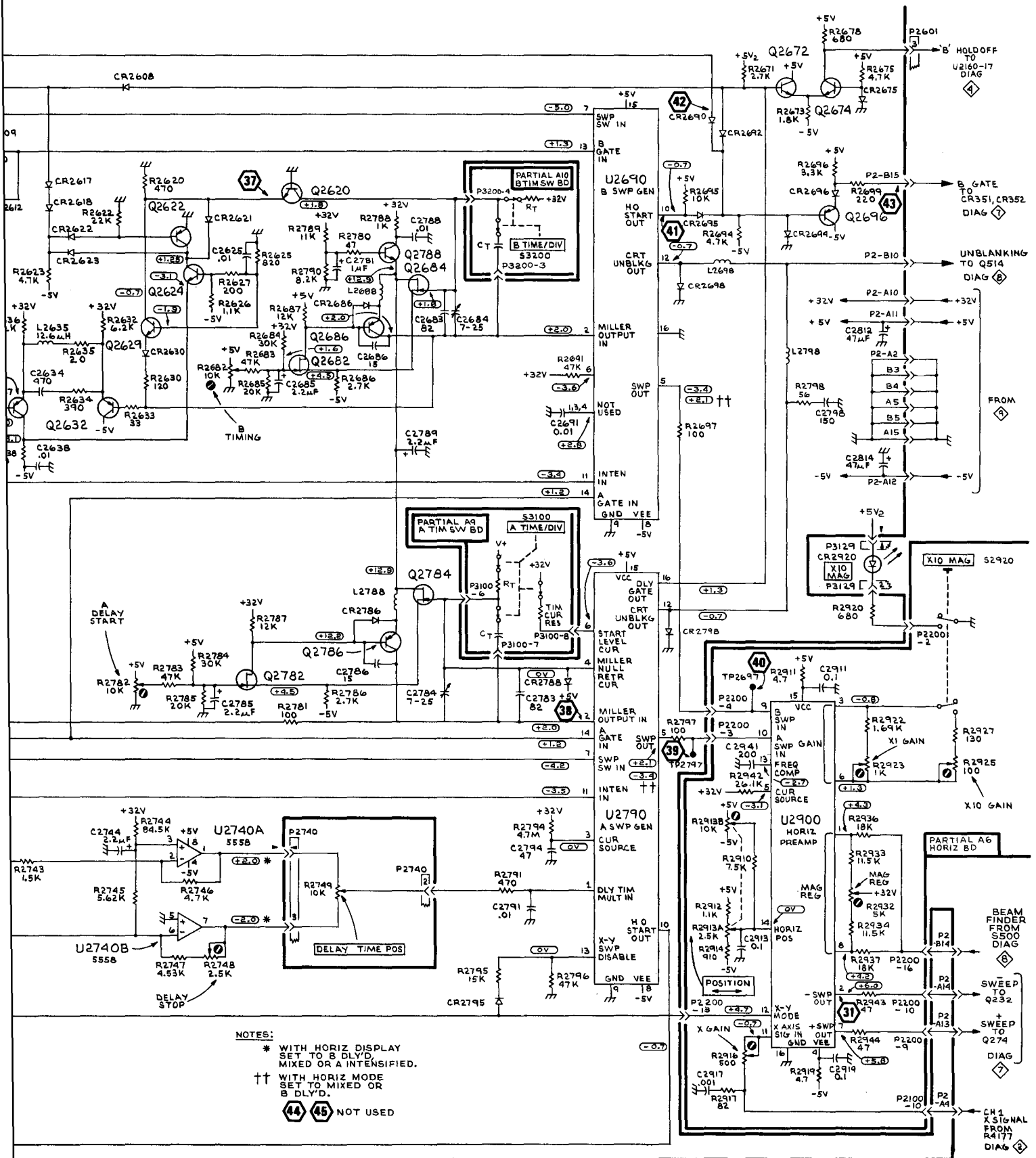
VOLTAGE & WAVEFORM CONDITIONS

PARTIAL ALL INTERFACE BOARD

NOTE:
* PART OF CIRCUIT BOARD

SEE PARTS LIST FOR EARLIER VALUES AND SERIAL NUMBER RANGES OF PARTS OUTLINED OR DEPICTED IN GREY.



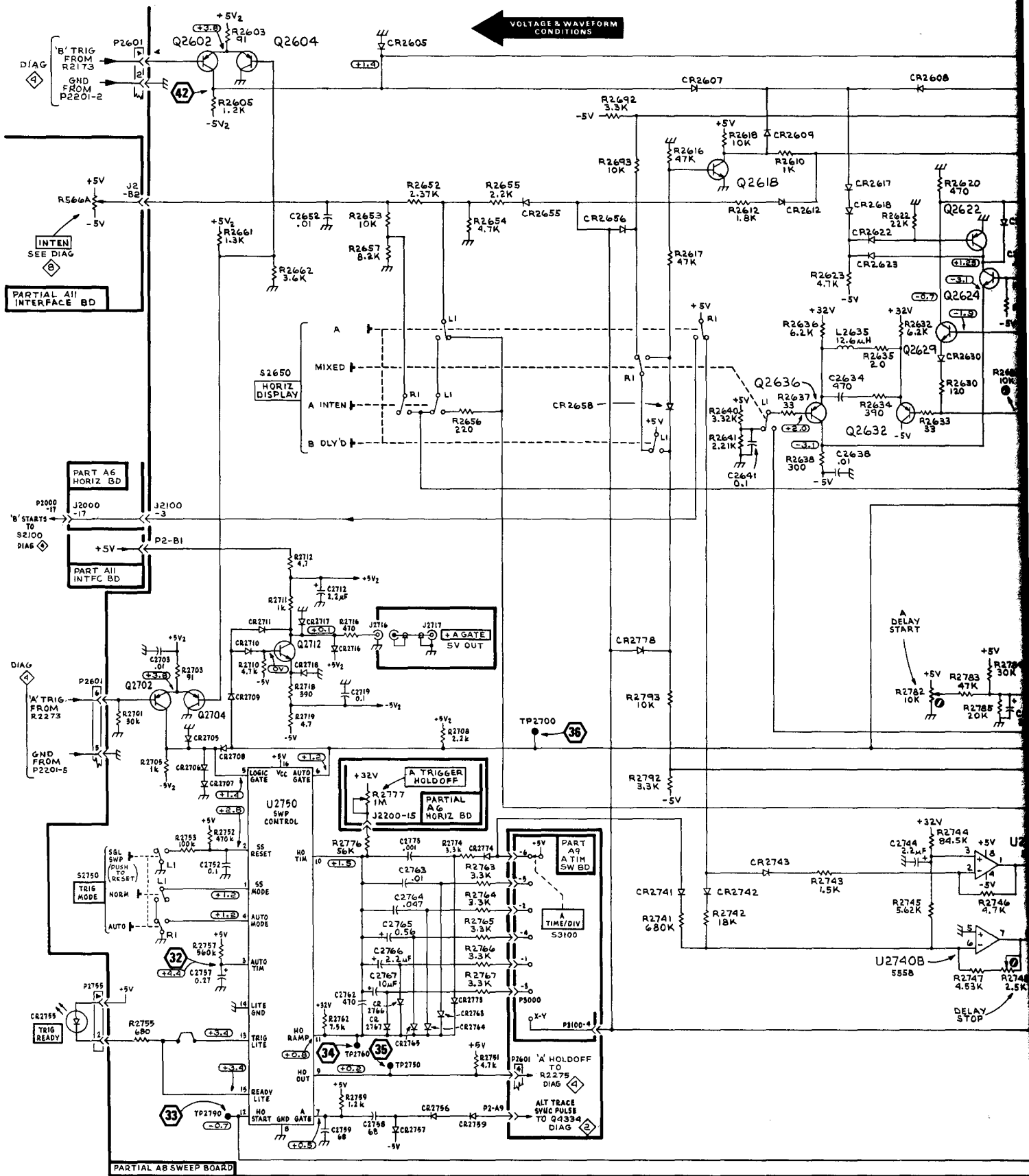


NOTES:
 * WITH HORIZ DISPLAY SET TO B DLY'D MIXED OR A INTENSIFIED.
 †† WITH HORIZ MODE SET TO MIXED OR B DLY'D.
 (44) (45) NOT USED

2237-102
 REV B FEB 1981

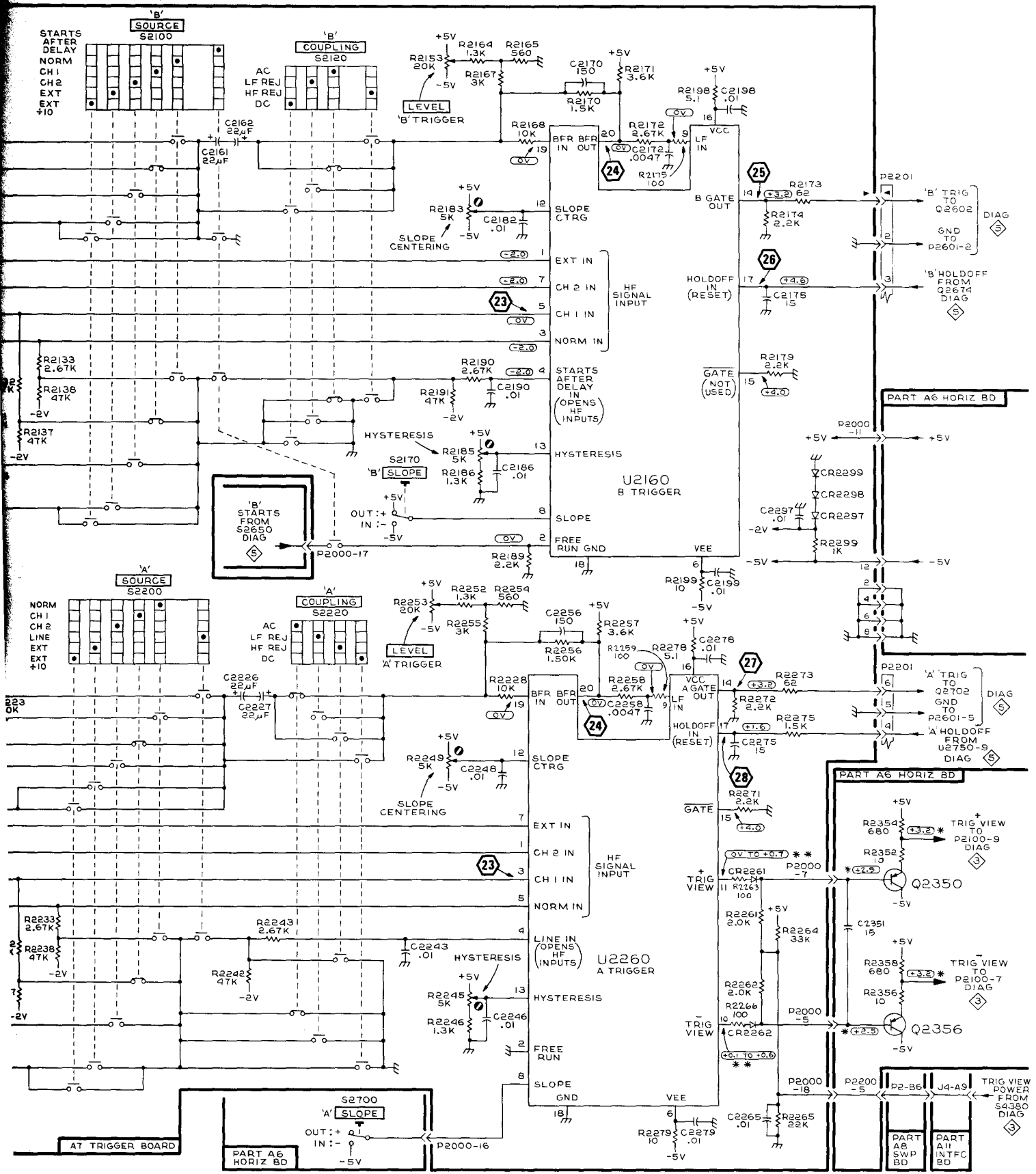
SWEEP & HORIZONTAL PREAMPLIFIER (5)

FO-7 (Front)
 (FO-7 Rear Blank)



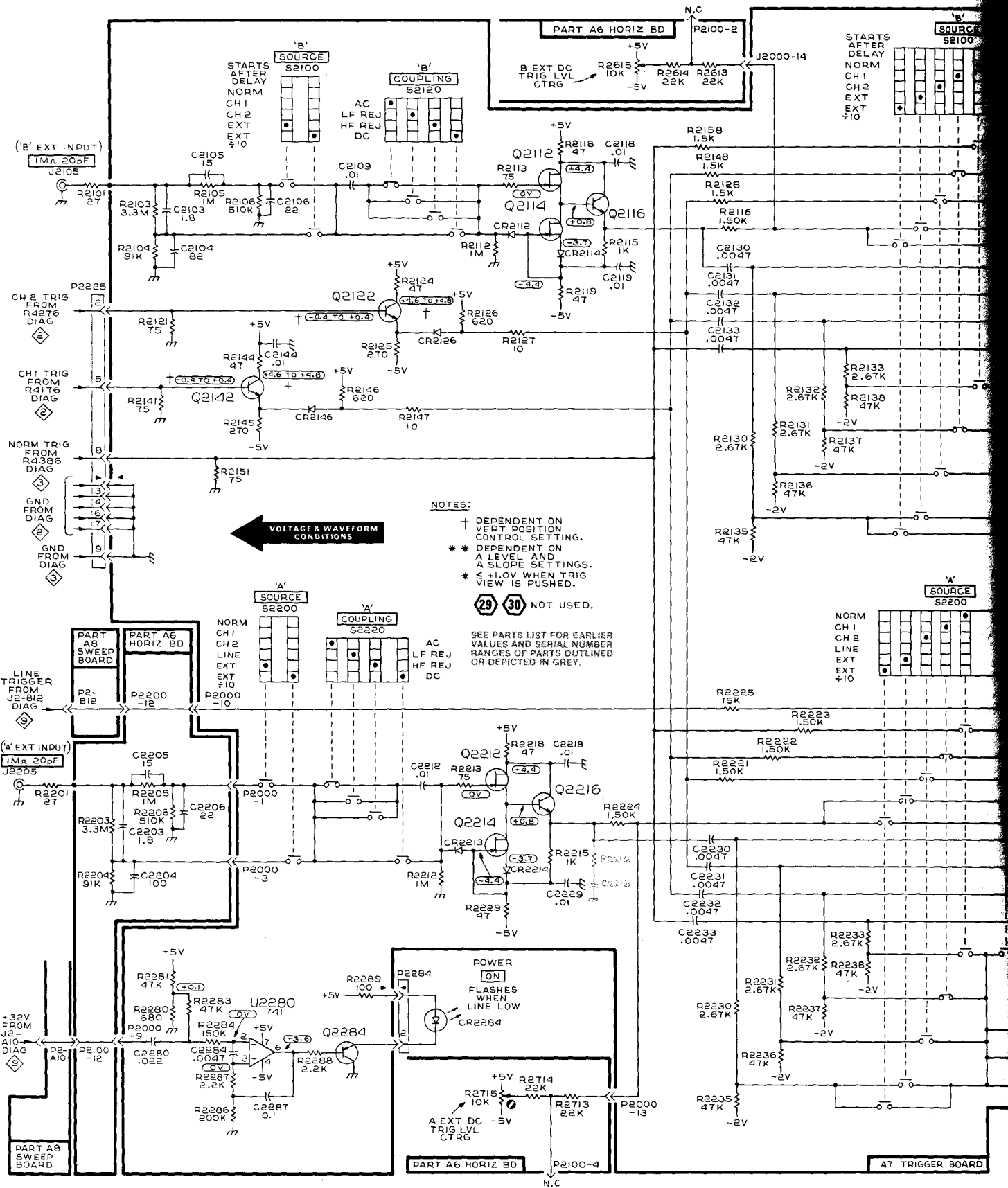
465M

2137-102
REV B FEB 1981



2237-101
 REVA SEPT 1980

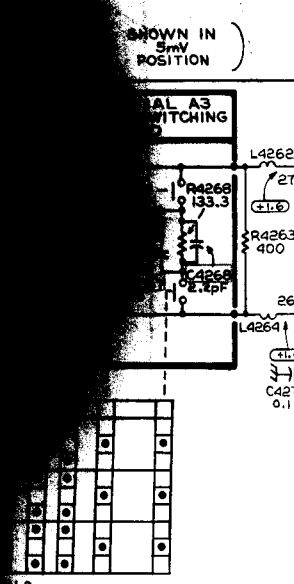
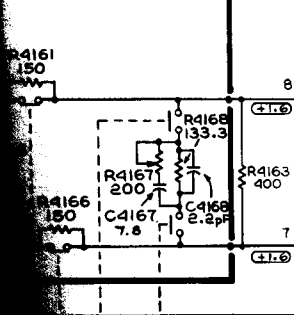
TRIGGER AMPLIFIER



465M

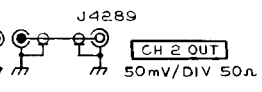
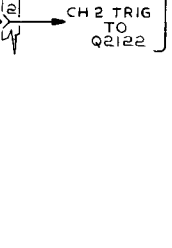
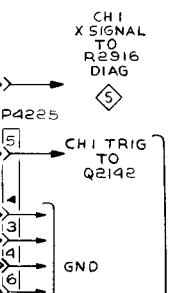
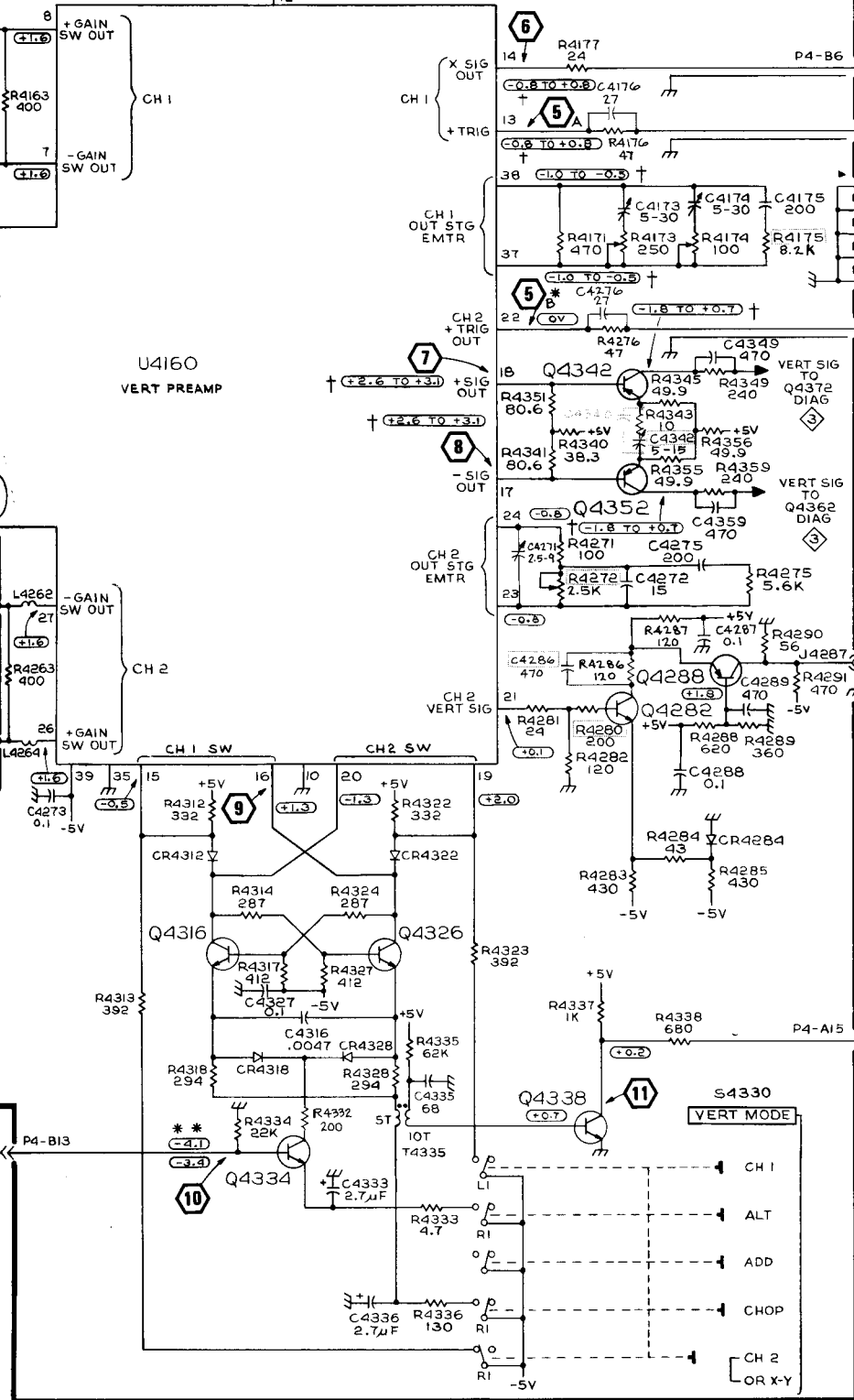
2237-101
REV A SEPT 1980

SWITCHING BOARD

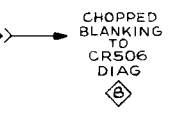


+5V C4191
0.1
12

U4160
VERT PREAMP



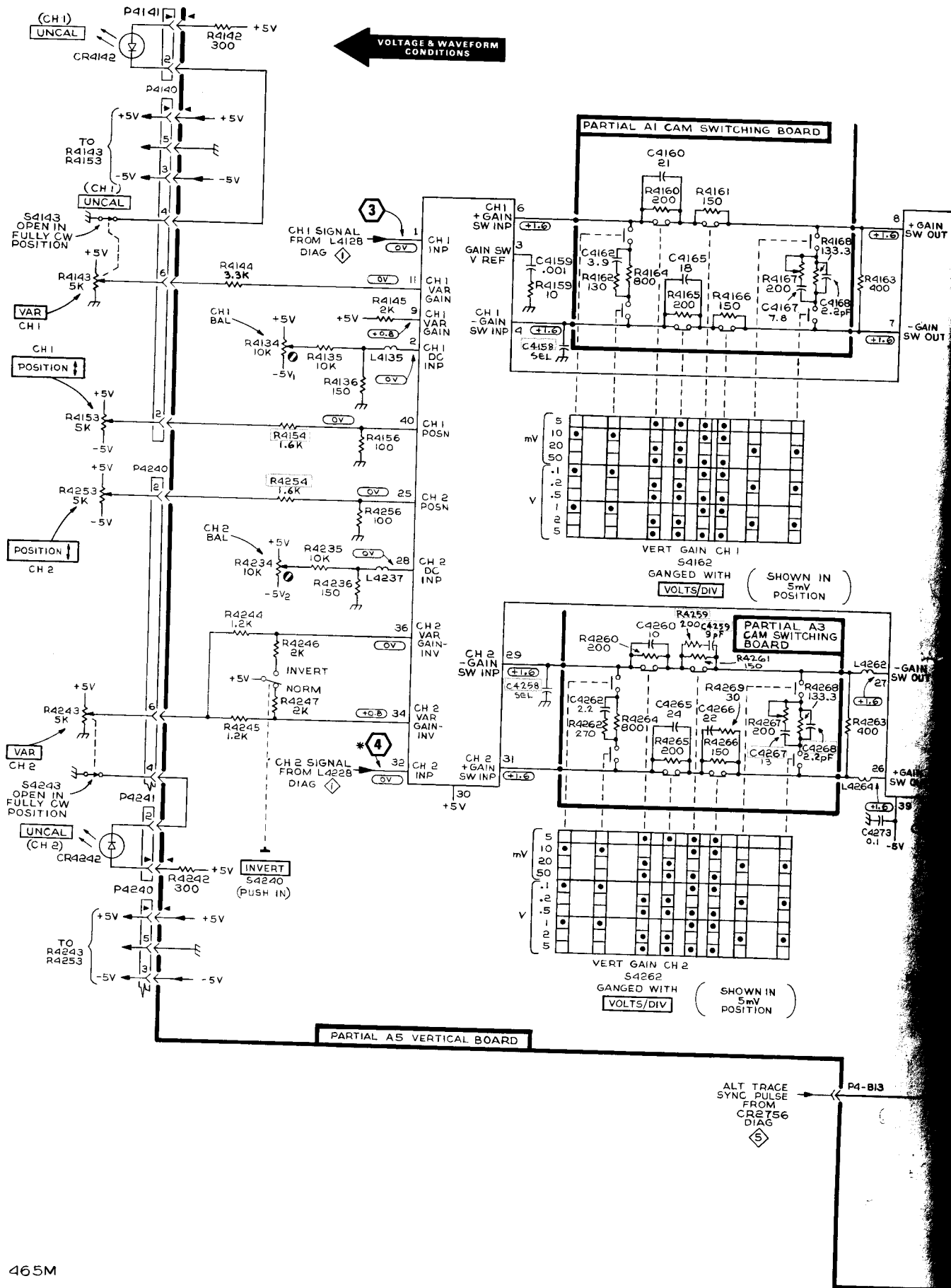
SEE PARTS LIST FOR EARLIER VALUES AND SERIAL NUMBER RANGES OF PARTS OUTLINED OR DEPICTED IN GREY.



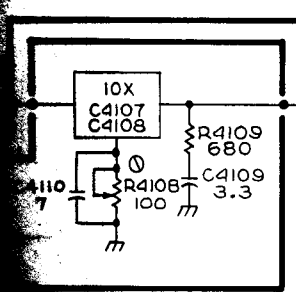
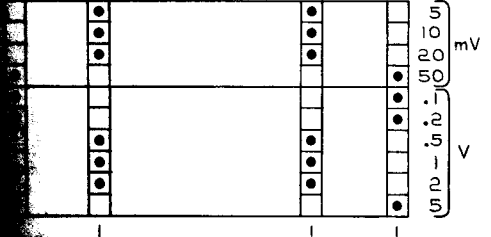
- NOTES:**
- * MOVE INPUT SIGNAL TO CH 2 AND SET VERT MODE TO CH 2.
 - ** IN ALT.
 - † CHANGES WITH SETTING OF VERT POSITION CONTROL.
- ⑫ ⑬ NOT USED.

VERTICAL PREAMPLIFIER & SWITCHING

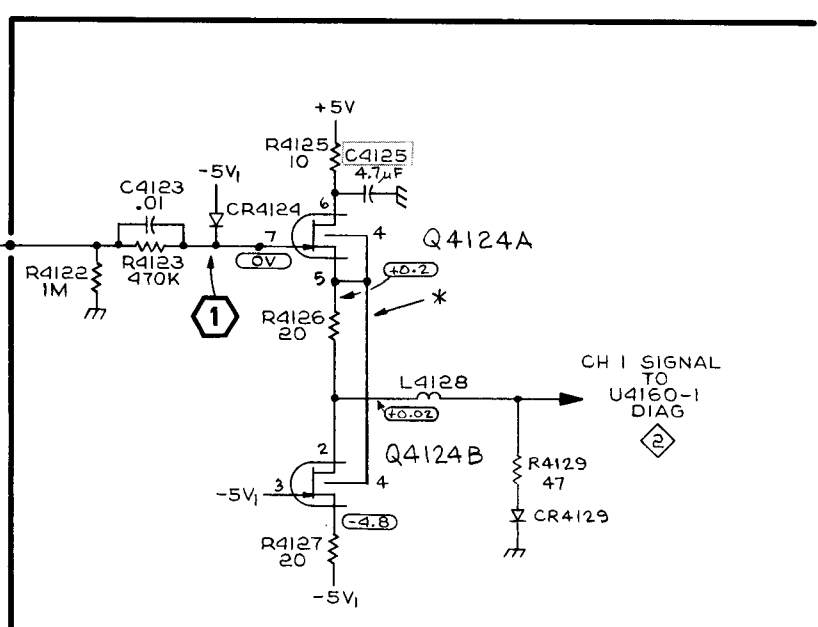
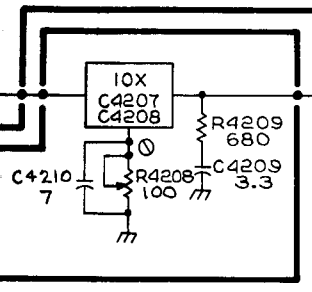
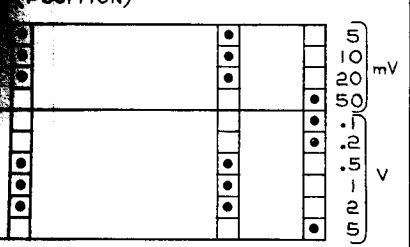
2237-99
REV A SEPT 1980



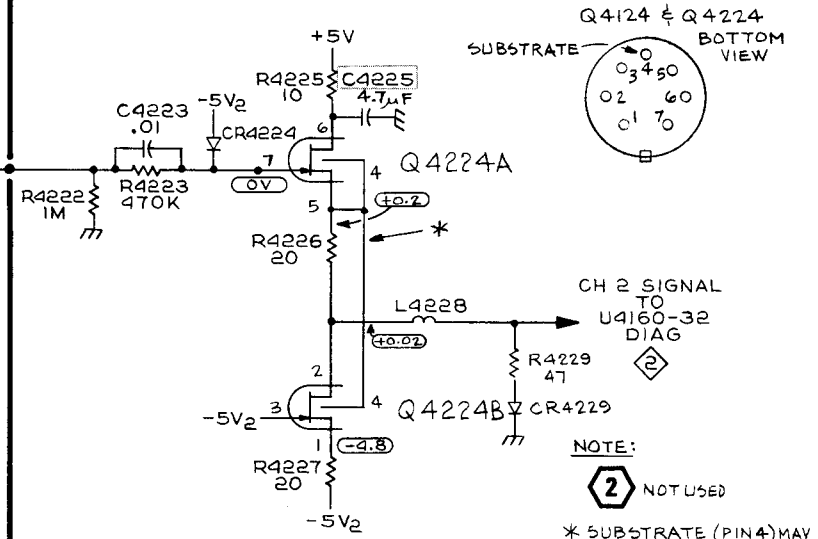
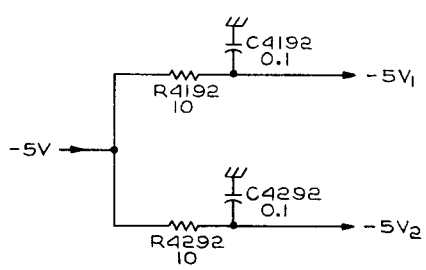
DIV (SHOWN IN 5mV POSITION)
OB



(SHOWN IN 5mV POSITION)



SEE PARTS LIST FOR EARLIER VALUES AND SERIAL NUMBER RANGES OF PARTS OUTLINED OR DEPICTED IN GREY.



NOTE:
② NOT USED

* SUBSTRATE (PIN 4) MAY BE EITHER INTERNALLY OR EXTERNALLY CONNECTED TO PINS.

PARTIAL A5 VERTICAL BOARD

CH1 & CH2 INPUT ①

VOLTAGE & WAVEFORM CONDITIONS

