

# INSTRUCTION MANUAL



## **7A16A AMPLIFIER**

Serial Number \_\_\_\_\_



## WARRANTY

All TEKTRONIX instruments are warranted against defective materials and workmanship for one year. Any questions with respect to the warranty should be taken up with your TEKTRONIX Field Engineer or representative.

All requests for repairs and replacement parts should be directed to the TEKTRONIX Field Office or representative in your area. This will assure you the fastest possible service. Please include the instrument Type Number or Part Number and Serial Number with all requests for parts or service.

Specifications and price change privileges reserved.

Copyright © 1972 by Tektronix, Inc., Beaverton, Oregon.  
Printed in the United States of America. All rights reserved.  
Contents of this publication may not be reproduced in any form without permission of Tektronix, Inc.

U.S.A. and foreign TEKTRONIX products covered by U.S. and foreign patents and/or patents pending.

TEKTRONIX is a registered trademark of Tektronix, Inc.

# TABLE OF CONTENTS

|                  | Page  |
|------------------|---|
| <b>SECTION 1</b> | <b>SPECIFICATION</b>                            |
|                  | Introduction 1-1                                |
|                  | Electrical Characteristics 1-1                  |
|                  | Environmental Characteristics 1-2               |
|                  | Physical Characteristics 1-2                    |
| <b>SECTION 2</b> | <b>OPERATING INSTRUCTIONS</b>                   |
|                  | Installation 2-1                                |
|                  | Function of Controls and Connectors 2-1         |
|                  | Basic Operation 2-2                             |
|                  | General Operating Information 2-2               |
|                  | Applications 2-3                                |
| <b>SECTION 3</b> | <b>CIRCUIT DESCRIPTION</b>                      |
|                  | Block Diagram Description 3-1                   |
|                  | Detailed Circuit Description 3-1                |
| <b>SECTION 4</b> | <b>MAINTENANCE</b>                              |
|                  | Preventive Maintenance 4-1                      |
|                  | Troubleshooting 4-1                             |
|                  | Corrective Maintenance 4-3                      |
| <b>SECTION 5</b> | <b>CALIBRATION</b>                              |
|                  | Performance Check 5-1                           |
|                  | Test Equipment Required 5-1                     |
|                  | Short Form Procedure 5-2                        |
|                  | Calibration Procedure 5-3                       |
|                  | Balance 5-4                                     |
|                  | Gain 5-4  |
|                  | Compensation 5-5                                |
|                  | Bandwidth and Risetime 5-6                      |
| <b>SECTION 6</b> | <b>ELECTRICAL PARTS LIST</b>                    |
|                  | Abbreviations and Symbols                       |
|                  | Parts Ordering Information                      |
| <b>SECTION 7</b> | <b>DIAGRAMS AND CIRCUIT BOARD ILLUSTRATIONS</b> |
|                  | Symbols and Reference Designators               |
| <b>SECTION 8</b> | <b>MECHANICAL PARTS LIST</b>                    |
|                  | Mechanical Parts List Information               |
|                  | Index of Mechanical Parts Illustrations         |
|                  | Mechanical Parts List                           |

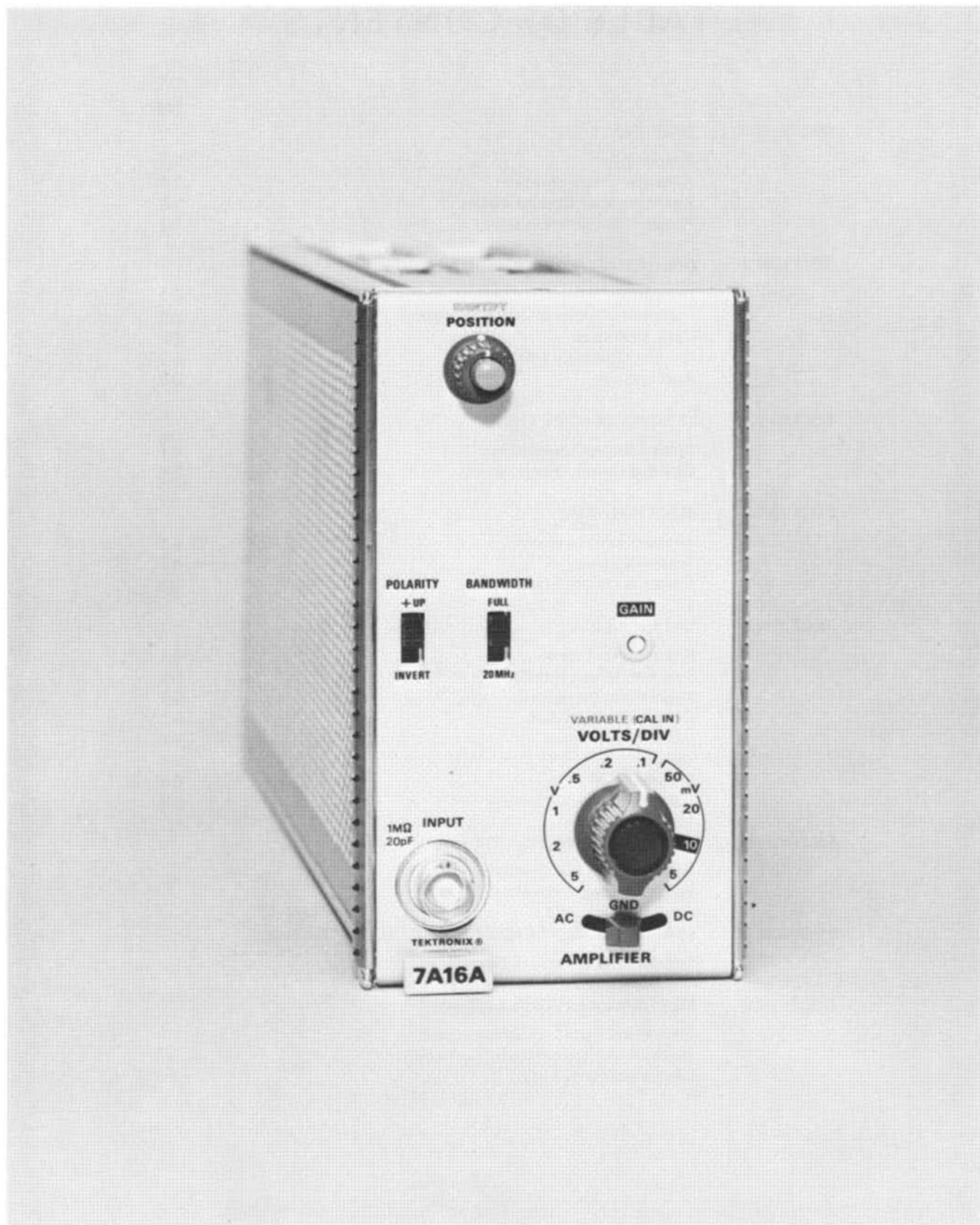


Fig. 1-1. 7A16A Amplifier Plug-in.

7A16A

# SPECIFICATION

## Introduction

The 7A16A Amplifier Plug-In Unit is a wide-bandwidth amplifier designed for use with TEKTRONIX 7000-Series

Oscilloscopes. The 7A16A can be operated in any plug-in compartment of 7000-Series Oscilloscopes. Readout encoding and trace identify functions are provided to readout equipped oscilloscopes.

TABLE 1-1  
ELECTRICAL

| Characteristics                    | Performance Requirements  |                             | Supplemental Information  |
|------------------------------------|---|-----------------------------|---|
| <b>Deflection Factor</b>           |   |                             |   |
| Calibrated Range                   | 5 mV/div to 5 V/div, 10 steps in a 1-2-5 sequence.  |                             |   |
| Accuracy                           | Within 2% of indicated deflection factor with GAIN adjusted at 10 mV/div.                         |                             |   |
| Uncalibrated (VARIABLE)            | Continuously variable between calibrated steps; extends deflection factor to at least 12.5 V/div. |                             |   |
| <b>Gain Range</b>                  |   |                             | Permits adjustment of deflection factor for calibrated operation with all 7000-Series mainframes. |
| <b>Frequency Response</b>          |   |                             |   |
| Bandwidth                          | With 7400-Series<br>60 MHz  | With 7500-Series<br>90 MHz  |   |
|                                    | With 7700-Series<br>150 MHz   | With 7900-Series<br>225 MHz |   |
| AC Coupled (Lower Bandwidth Limit) | 10 Hz or less.  |                             |   |
| 20 MHz Bandwidth                   |   |                             | 20 MHz, $\pm 3$ MHz.  |
| <b>Step Response</b>               |   |                             |   |
| Risetime                           | With 7400-Series<br>5.9 ns  | With 7500-Series<br>3.9 ns  |   |
|                                    | With 7700-Series<br>2.4 ns  | With 7900-Series<br>1.6 ns  |   |
| 20 MHz Bandwidth Risetime          |   |                             | 21 ns maximum.  |
| <b>Maximum Input Voltage</b>       |   |                             |   |
| DC Coupled                         |   |                             | 250 V (DC + peak AC); A component 500 V P-P maximum, 1 kHz or less.                               |
| AC Coupled                         |   |                             | 500 V (DC + peak AC); A component 500 V P-P maximum, 1 kHz or less.                               |

TABLE 1-1 (cont)

| Characteristics  | Performance Requirements | Supplemental Information  |
|--|--------------------------|---|
| <b>Input R and C</b>                                     |                          |   |
| Resistance   |                          | 1 M $\Omega$ $\pm$ 2%.  |
| Capacitance  |                          | 20 pF $\pm$ 0.5 pF.   |
| <b>Overdrive Recovery Time</b>                           |                          | 0.1 ms or less to recover to within one division after removal of overdrive signal of up to +75 div or -75 div regardless of overdrive signal duration. |
| <b>DC Drift</b>  |                          |   |
| Drift with Time (Ambient Temp and Line Voltage Constant) |                          | 0.02 div or less in any one minute after one hour warmup.   |
| Drift with Temperature (Line Voltage Constant)           |                          | Not more than 0.02 div/ $^{\circ}$ C.   |

TABLE 1-2

ENVIRONMENTAL CHARACTERISTICS

|  |
|--|
| Refer to the specifications for the associated oscilloscope. |
|--|

TABLE 1-3

PHYSICAL

|                |  |
|----------------|--|
| Size<br>Weight | Fits all 7000-Series plug-in compartments.<br>0.9 kg or 1.9 lbs. |
|----------------|--|

# OPERATING INSTRUCTIONS

## General

To effectively use the 7A16A, the operation and capabilities of the instrument must be known. This section describes front-panel control functions, general information on signal input connections, and other subjects that pertain to various measurement applications.

## Installation

The 7A16A is calibrated and ready for use as received. It can be installed in any compartment of TEKTRONIX 7000-Series Oscilloscopes, but is intended for use primarily in vertical plug-in compartments. To install, align the upper and lower rails of the 7A16A with the oscilloscope tracks and insert the plug-in. The front panel will be flush with the front of the oscilloscope when the plug-in is inserted, and the latch at the bottom-left corner will be in place against the front panel.

To remove the 7A16A, pull on the latch (which is inscribed with the unit identification "7A16A") and the plug-in will unlatch. Continue pulling on the latch to slide the 7A16A out of the oscilloscope.

## Functions of Controls and Connectors

### Front Panel

#### INPUT Connector

Provides signal connection to the amplifier.

#### AC-GND-DC Switch

Selects signal input coupling mode.

**AC:** The AC component of the signal is coupled to the input while the DC component is blocked.

**DC:** Both AC and DC components of the signal is coupled to the amplifier input.

**GND:** Grounds the amplifier input while maintaining the same load at the INPUT connector. Provides a path for pre-charging the AC coupling capacitor (this feature protects both the 7A16A and the source generator from possible over-voltage conditions).

#### POSITION

Controls position of the trace.

#### IDENTIFY Pushbutton

Deflects trace about 0.3 division for trace identification. In instruments with readout, also replaces readout with the word "IDENTIFY".

#### VOLTS/DIV Switch

Selects calibrated deflection factors from 5 mV/div to 5 V/div; 10 steps in a 1-2-5 sequence.

#### VARIABLE (VOLTS/DIV)

Provides continuously variable uncalibrated settings between calibrated steps. Extends the deflection factor to 12.5 volts/division or more.

#### GAIN Adjustment

Screwdriver adjustment permits calibration of deflection factor.

#### POLARITY Switch

Provides a means of inverting the display.

**+UP:** A positive-going signal at the INPUT connector deflects the CRT display upward.

**INVERT:** A positive-going signal at the INPUT connector deflects the CRT display downward.

#### BANDWIDTH Switch

Provides a means of limiting the upper bandwidth.

**FULL:** Allows the 7A16A to operate at full rated bandwidth.

**20 MHz:** Reduces the upper bandwidth of the 7A16A to about 20 MHz.

## BASIC OPERATION

**General.** This procedure demonstrates the use of the connectors and controls of the 7A16A, while at the same time providing a means of checking the basic operation of the instrument.

**Preliminary Setup.** Install the 7A16A into any 7000-series oscilloscope vertical compartment and set the oscilloscope VERTICAL MODE and TRIGGER SOURCE to the proper settings.

Install a 7-series time-base unit into a horizontal compartment and set the oscilloscope HORIZONTAL MODE to the proper setting. Set the time-base unit to a sweep rate of one-millisecond per division and set the triggering mode to AUTO.

### Procedure

1. Set the 7A16A AC-GND-DC switch to GND and position the trace to the center of the graticule.
2. Set the VOLTS/DIV switch to 10 mV and apply a 40 mV 1 kHz square-wave signal from the oscilloscope CALIBRATOR to the 7A16A INPUT connector. Set the AC-GND-DC switch to DC and check for a four-division display.
3. Set POLARITY switch to INVERT and check that the displayed signal is inverted as compared to its appearance in step 2.
4. Set the AC-GND-DC switch to AC and check that the trace is centered on the CRT graticule.

## GENERAL OPERATING INFORMATION

### Signal Connections

In general, probes offer the most convenient means of connecting a signal to the input of the 7A16A. A 10X attenuator probe offers a high impedance and allows the circuit under test to perform very close to normal operating conditions.

The TEKTRONIX P6053 probe is equipped with a readout coding ring which connects to a circuit in the amplifier unit. This automatically corrects the readout displayed on the CRT to the actual deflection factor at the tip of the probe. This probe is recommended for use with the 7A16A and an oscilloscope equipped with readout. The TEKTRONIX P6054 probe is electrically identical to the P6053 but is intended for use with systems not equipped with readout. For more information refer to the Tektronix, Inc. catalog.

### Vertical Gain Check and Adjustment

To check the gain of the 7A16A, set the VOLTS/DIV switch to 10 mV and connect a 40 mV, 1 kHz signal from the oscilloscope calibrator to the Input connector. The vertical deflection should be exactly four divisions. If not, adjust the front panel GAIN for exactly four divisions.

### Input Coupling

The AC-GND-DC switch allows a choice of input coupling methods. The type of display desired and the applied signal will determine the coupling to use.

The DC coupling position can be used for most applications. For AC signals with frequencies below about 30 Hz (10 Hz with a 10X probe), and square waves whose low-frequency components are important to the display, it is necessary to use DC coupling to obtain a satisfactory presentation.

In the AC coupling position the DC component of the signal is blocked by a capacitor in the input circuit. The AC coupling position provides the best display of signals with a DC component much larger than the AC component. The pre-charge feature should be used when there is a possibility of having a residual charge on the input capacitor of the opposite polarity to the intended input, and when the algebraic sum of the combination of charges may be greater than the maximum input limitations of the amplifier. To use this feature, first set the coupling switch to GND, then connect the probe to the circuit and wait about two seconds for the coupling capacitor to charge, set the coupling switch to AC.

The GND position provides a ground reference at the input of the amplifier without externally grounding the Input connectors. However, the signals connected to the inputs are not grounded, and the same DC load is presented to the signal source.



## VOLTS/DIV and VARIABLE

The amount of deflection produced by a signal is determined by the signal amplitude, the attenuation factor of the probe, the setting of the VOLTS/DIV switch, and the setting of the VARIABLE Control. Calibrated deflection factors represented by the setting of the VOLTS/DIV switch apply only when the VARIABLE control is in the CAL position (pushed-in).

The VARIABLE control provides variable uncalibrated settings between the calibrated steps of the VOLTS/DIV switch. With the VARIABLE control out set fully counter-clockwise the uncalibrated deflection factor is extended to at least 2.5 times the attenuator setting. By applying a calibrated voltage source to the INPUT connector, any specific deflection factor can be set within the range of the VARIABLE control.

## Polarity Switch

The POLARITY switch provides a means of inverting the displayed signal. With the POLARITY set to +UP, a positive-going signal at the INPUT produces an upward deflection of the CRT display. With the POLARITY set to INVERT, a positive-going signal will produce a downward deflection of the CRT display.

## Trace Identification

When the IDENTIFY button is pressed, the trace is deflected upward about 0.3 division to identify the 7A16A trace. This feature is particularly useful when multiple traces are displayed on the CRT. In mainframes with readout, it also replaces the deflection factor readout with the word "IDENTIFY".

## APPLICATIONS

### General

The following information describes the procedures and techniques for making measurements with a 7A16A and the associated TEKTRONIX oscilloscope and time-base. These applications are not described in detail, since each application must be adapted to the requirements of the individual measurements. This instrument can also be used for many applications which are not described in this manual. Contact your local TEKTRONIX Field Office or representative for assistance in making specific measurements with this instrument.

### Peak-to-Peak Voltage Measurements (AC)

To make peak-to-peak voltage measurements, use the following procedure:

1. Apply the signal to the Input connector.

2. Set the Coupling switch to AC.

#### NOTE

*For low-frequency signals below about 30 hertz, use the DC position to prevent attenuation of the signal.*

3. Set the VOLTS/DIV switch to display about five vertical divisions of the waveform.

4. Set the time-base Triggering controls for a stable display. Set the Time Base to a sweep rate which displays several cycles of the waveform.

5. Turn the 7A16A POSITION control so the lower portion of the waveform coincides with one of the graticule lines below the center horizontal line, and the top of the waveform is within the viewing area. With the time base Position control, move the display so one of the upper peaks lies near the center vertical line (see Fig. 2-1).

6. Measure the divisions of vertical deflection peak to peak. Check that the VARIABLE control is in the CAL position.

#### NOTE

*This technique can also be used to make measurements between two points on the waveform, rather than peak to peak.*

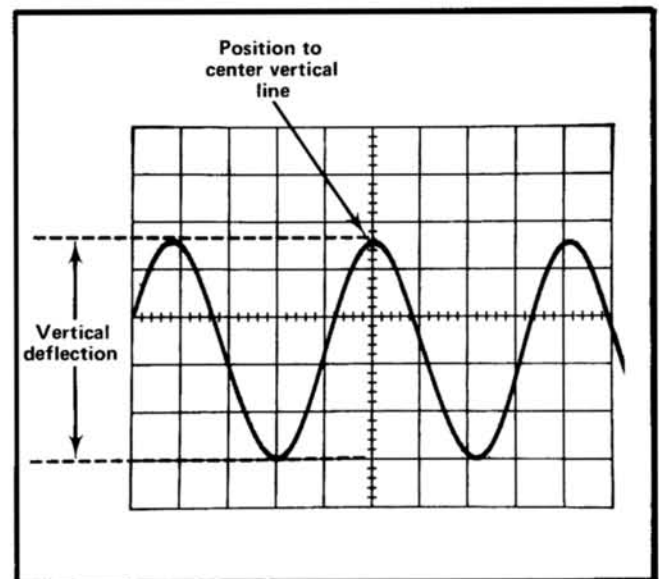


Fig. 2-1. Measuring the peak-to-peak voltage of a waveform.

## Operation—7A16A

7. Multiply the distance measured in step 7 by the VOLTS/DIV switch setting. Include the attenuation factor of the probe if used.

**EXAMPLE:** Assume that the peak to peak vertical deflection is 4.5 divisions using a 10X attenuator probe, and the VOLTS/DIV switch is set to 1 V.

$$\text{Volts} = \frac{\text{vertical deflection (divisions)}}{\text{VOLTS/DIV setting}} \times \text{probe attenuation factor}$$

Substituting the given values:

$$\text{Volts Peak to Peak} = 4.5 \times 1 \times 10$$

The peak-to-peak voltage is 45 volts.

If you are using a 7A16A with a coded probe and an oscilloscope equipped with readout, simply multiply the distance measured in step 7 by the deflection factor displayed on the CRT.

### Instantaneous Voltage Measurements(DC)

To measure the DC level at a given point on a waveform, proceed as follows:

1. Connect the signal to the Input connector.
2. Set the VOLTS/DIV switch to display about five divisions.
3. Set the Coupling switch to GND and position the trace to the bottom graticule line or other reference line. If the voltage is negative with respect to ground, position the trace to the top graticule line. Do not move the POSITION control after this reference line has been established.

#### NOTE

*To measure a voltage level with respect to another voltage rather than ground, make the following changes to Step 4. Set the Coupling switch to DC and apply the reference voltage to the Input connector. Then position the trace to the reference line and disconnect the reference voltage.*

4. Set the Coupling switch to DC. The ground reference line can be checked at any time by switching to the GND position.

5. Set the time-base Triggering controls for a stable display. Set the Time Base sweep rate for an optimum display of the waveform.

6. Measure the distance in divisions between the reference line and the point on the waveform at which the DC level is to be measured. For example, in Fig. 2-2 the measurement is between the reference line and point A.

7. Establish the polarity of the waveform. With the +UP/INV switch in the +UP position, any point above the reference line is positive.

8. Multiply the distance measured in step 7 by the VOLTS/DIV switch setting. Include the attenuation factor of the probe, if used.

**EXAMPLE:** Assume the vertical distance measured is 4.6 divisions (see Fig. 2-2) and the waveform is above the reference line using a 10X probe with a VOLTS/DIV switch setting of 0.5 V.

Using the formula:

$$\text{Instantaneous Voltage} = \frac{\text{vertical distance (divisions)}}{\text{VOLTS/DIV setting}} \times \text{polarity} \times \text{probe attenuation factor}$$

Substituting the given values:

$$\text{Instantaneous Voltage} = 4.6 \times 1 \times 0.5 \text{ V} \times 10$$

The instantaneous voltage is 23 volts.

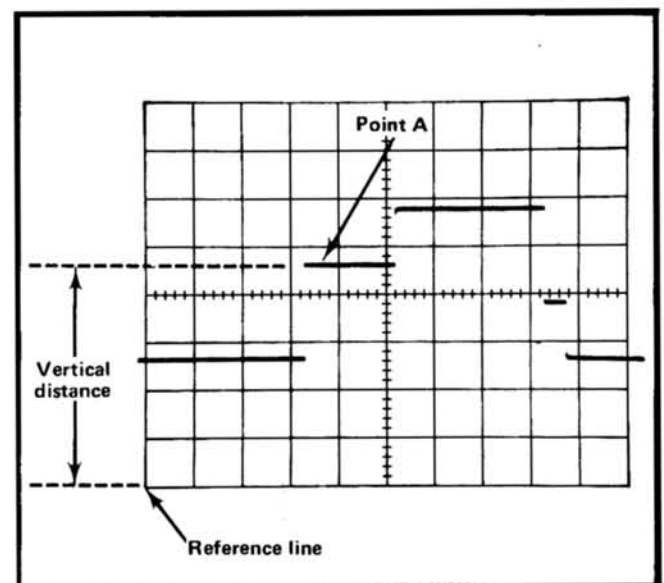


Fig. 2-2. Measuring instantaneous voltage with respect to same reference.

### Comparison Measurements

In some applications it may be desirable to establish units of measurement other than those indicated by the VOLTS/DIV switch. This is particularly useful when comparing unknown signals to a reference amplitude. One use for the comparison-measurement technique is to facilitate calibration of equipment where the desired amplitude does not produce an exact number of divisions of deflection. The adjustment will be easier and more accurate if arbitrary units of measurement are established, so that the correct adjustment is indicated by an exact number of divisions of deflection. The following procedure describes how to establish arbitrary units of measure for comparison measurements.

To establish a vertical deflection factor based upon a specific reference amplitude, proceed as follows:

1. Connect the reference signal to the Input connector. Set the time-base sweep rate to display several cycles of the signal.

2. Set the VOLTS/DIV switch and the VARIABLE control to produce a display which is an exact number of vertical divisions in amplitude. Do not change the VARIABLE control after obtaining the desired deflection.

3. To establish an arbitrary vertical deflection factor so the amplitude of an unknown signal can be measured accurately at any setting of the VOLTS/DIV switch, the amplitude of the reference signal must be known. If it is not known, it can be measured before the VARIABLE control is set in step 2.

4. Divide the amplitude of the reference signal (volts) by the product of the vertical deflection (divisions) established in step 2 and the setting of the VOLTS/DIV switch.

This is the vertical conversion factor.

$$\text{Vertical Conversion Factor} = \frac{\text{reference signal amplitude (volts)}}{\text{vertical deflection (divisions)} \times \text{VOLTS/DIV setting}}$$

5. To measure the amplitude of an unknown signal, disconnect the reference signal and connect the unknown signal to the Input connector. Set the VOLTS/DIV switch to a setting that provides sufficient vertical deflection to make an accurate measurement. Do not re-adjust the VARIABLE control.

6. Measure the vertical deflection in divisions and calculate the amplitude of the unknown signal using the following formula:

$$\text{Signal Amplitude} = \text{VOLTS/DIV setting} \times \text{vertical conversion factor} \times \text{vertical deflection (divisions)}$$

EXAMPLE: Assume a reference signal amplitude of 30 volts, a VOLTS/DIV setting of 5 V and the VARIABLE control adjusted to provide a vertical deflection of four divisions.

Substituting these values in the vertical conversion factor formula (step 4):

$$\text{Vertical Conversion Factor} = \frac{30 \text{ V}}{4 \times 5 \text{ V}} = 1.5$$

Then with a VOLTS/DIV setting of 2 V, the peak to peak amplitude of an unknown signal which produces a vertical deflection of five divisions can be determined by using the signal amplitude formula (step 6):

$$\text{Signal Amplitude} = 2 \text{ V} \times 1.5 \times 5 = 15 \text{ volts}$$

# CIRCUIT DESCRIPTION

## Introduction

This section of the manual contains a description of the circuitry used in the 7A16A amplifier. The 7A16A description begins with a discussion of the instrument using the block diagram shown in the Diagrams section. Then, each circuit is described in detail using block diagrams to show the interconnections between stages in each major circuit and the relationship of the front-panel controls to the individual stages.

Complete schematics of each circuit are given in the Diagrams section. Refer to these schematics throughout the following circuit description for electrical values and relationship.

## BLOCK DIAGRAM

The signal to be displayed on the CRT is applied to the INPUT connector. The signal passes through the input coupling switch, where the appropriate coupling is selected, to the attenuators. The VOLTS/DIV switch selects the correct amount of attenuation and the signal is passed to the Input Source Follower.

The Polarity Amplifier provides a convenient means of inverting the displayed trace. The output of the Polarity Amplifier drives the 2X Gain Amplifier.

With the VOLTS/DIV switch set to the 5 mV and 10 mV positions, the signal connected to the INPUT connector is passed through the attenuators un-attended. To achieve a deflection factor of 5 mV/Div the gain of the 2X Gain Amplifier is increased from one to two. Internal gain and balance adjustments are included in the amplifier.

Overall GAIN and VARIABLE gain is adjusted in the Gain Amplifier. Variable Balance and high frequency adjustments are also controlled in the Gain Amplifier. The output of the Gain Amplifier is connected to the Positioning circuitry where the POSITION and IDENTIFY functions are controlled.

The Signal Splitter Amplifier provides differential signal outputs for the signal line and the trigger line. This stage contains a bandwidth limiter that limits the upper frequency response to 20 MHz.

The output of the Signal Splitter Amplifier is connected to the oscilloscope mainframe via the interface connector.

Readout encoding circuitry used in the 7A16A is standard to the 7000-Series.

## DETAILED CIRCUIT DESCRIPTION

### AC-GND-DC Switch

Input signals connected to the INPUT connector can be AC-coupled, DC-coupled, or internally disconnected. S100A is a cam-type switch; a contact-closure chart showing the operation is given on the schematic diagrams. When the AC-GND-DC switch is in the DC position, the INPUT signal is connected directly to the attenuators. In the AC position, the INPUT signal passes through capacitor C10. The capacitor prevents the DC component of the signal from passing to the amplifier. The GND position opens the signal path and connects the input circuit of the amplifier to ground. This provides a ground reference without the need to disconnect the applied signal from the INPUT connector. Resistor R102, connected across the AC-GND-DC switch, allows C10 to be pre-charged in the GND position.

### Input Attenuator

The effective overall deflection factor of the 7A16A is determined by the setting of the VOLTS/DIV switch, S100B. The basic deflection factor is 5 millivolts per division of CRT deflection. To increase the basic deflection factor to the values indicated on the front panel, precision attenuators are switched into the circuit. S100B is a cam-type switch and the dots on the contact-closure chart (see Diagram 1) indicate when the associated contacts are in the position shown (open or closed). In the 5 mV/Div and 10 mV/Div positions, the attenuators are not used; the input signal is connected directly to the Source Follower. The 10 mV/Div position decreases the gain of the 2X Gain Amplifier. For switch positions above ten millivolts per division, the attenuators are switched into the circuit singly or in pairs to produce the deflection factor indicated on the front panel. These hybrid attenuators are frequency-compensated voltage dividers. For DC and low-frequency signals, the attenuators are primarily resistance dividers and at high frequencies the attenuator becomes primarily a capacitive divider.

## Circuit Description—7A16A

In addition to providing constant attenuation at all frequencies within the bandwidth of the instrument, the input attenuators are designed to maintain the same input RC characteristics (one megohm X 20 pF). Each attenuator contains an adjustable series capacitor to provide correct attenuation at high frequencies, and an adjustable shunt capacitor to provide correct input capacitance.

### Input Source Follower

**Below SN B080000.** Q150A and Q140 form a cascode amplifier with Q150B providing a constant current. R132 limits the current drive to the gate of Q150A. Dual-diode CR130 provides circuit protection by limiting the voltage swing at the gate of Q150A to about  $\pm 14$  volts. R134, C130, and the capacitance of R130 provide low frequency compensation. Input capacitance for the 5 mV and 10 mV positions is set by C134. The output to the Polarity Amplifier (U350) is from the source of Q150A and high frequencies from the collector of Q140. R160 is used to balance the input to the Polarity Amplifier.

**SN B080000-Up.** Q150A is a source follower with Q150B providing a constant current. R132 limits the current drive to the gate of Q150A. Dual-diode CR130 provides circuit protection by limiting the voltage swing at the gate of Q150A to about  $\pm 10$  volts. C130, C134, and the capacitance of R130 provide low frequency compensation. Input capacitance for the 5 mV and 10 mV positions is set by C130. The output to the Polarity Amplifier (U350) is from the source of Q150A. C134 and R134 form a negative resistance network for Q150A.

### Polarity Amplifier

U350 is a paraphase type amplifier with a dual differential output capability. Polarity of the output is selected by gating the control bases of either the inverted output or the un-inverted output. T301 is a balun transformer and provides differential drive to U350 at high frequencies. C334 and RT334 thermally compensate for gm changes in Q150A.

### 2X Gain Amplifier

The output of the Polarity Amplifier is connected to a gain switching amplifier, U450. The gain of U450 is set by the control bases, pins 11 and 12. In the 5 mV position, full drive is provided to the following stage from pins 6 and 8. In the 10 mV position, R413 sets the current through the second output pair, pins 5 & 9. This causes the emitter currents to divide equally through R440, R442 and R501, R503. R501, R503 provide the only drive to the following stage, thus forming a 2X gain attenuator. R436 provides low frequency thermal compensation. R453 (2X Bal) is used to balance the emitter currents. CR507 and R507 maintains a constant input voltage while switching between the 5 mV and 10 mV positions.

### Gain Amplifier

Integrated circuit U550 is the same type as U350. Both differential outputs of U550 are paralleled to provide drive to the next stage. In the CAL IN position R516 sets the gain for the entire amplifier by adjusting the current at the control bases of U550. In the un-cal position the VARIABLE control, R515, decreases the gain of the entire amplifier up to 2.5 times. RT539 compensates for temperature variations. C531 and R531 are high frequency adjustments. DC balance over the VARIABLE range is adjusted by R553.

### Position Circuit

Positioning current is added to the signal current of U550 output from the current sources Q720 and Q730. R736 controls the voltage at the bases of the current sources which in turn determines the amount of positioning current added. When the IDENTIFY switch is closed the current through Q730 is reduced causing the CRT trace to deflect.

### Signal Splitter Amplifier

Integrated circuit U750 is the same type as U450. The two differential outputs of U750 are connected to separate common base transistor amplifiers to provide separate display and trigger signals. Both outputs of U750 are biased equally to produce equal signal outputs. R770, C770, and L770 are high frequency compensation adjustments for the display signal. L770 is selected at the factory and need not be changed unless U750, Q860, or Q880 is replaced.

Q820, Q840, Q860, and Q880 are used as level shifters to return the DC level of the display signal to zero. Amplifier Q820-Q840 are switched on when the BANDWIDTH switch is in the full position. With the BANDWIDTH switch in the 20 MHz position Q860-Q880 is switched on. A filter in the collectors of Q860-Q880 limit the bandwidth. CR860 and CR880 isolate the filter from the output when in the FULL mode.

The trigger signal circuitry is similar to the display signal circuitry with Q920 and Q940 as level shifters for the FULL bandwidth position and Q960 and Q980 as level shifters for the 20 MHz bandwidth position.

### Connectors

All the connections made to the mainframe by the 7A16A are shown on the connectors portion of Diagram 2. Also shown are the power supply decoupling components.

### Readout Encoding

The Readout Encoding circuit consists of switching resistors and probe sensing stage Q620. This circuit encodes the Row and Column output lines for readout of deflection

factor, uncalibrated deflection factor (VARIABLE) information, and signal inversion. Data is encoded on these output lines by switching resistors between them and the time-slot input lines or by current added through Q620.

R647-C647 are switched between time-slot three (TS-3) and the Column output line when the CAL switch is in the un-cal position. This results in the symbol > (greater than) being displayed preceding the deflection factor readout. R648 is switched between TS-2 and the Column output line when the POLARITY switch is in the INVERT position. This results in the symbol ↓ (inverted) being displayed preceding the deflection factor readout.

Switching resistors are used to indicate the setting of the VOLTS/DIV switch to the mainframe readout system. The dots on the contact-closure chart (see Diagram Section) indicate when the associated contacts on the VOLTS/DIV cam switch are closed. R633, R634, and R635 select the number 1, 2, or 5 depending on the combination that is switched in. R638 and R642 select the m (milli) prefix in the 5 mV through 0.5 V (500 mV) positions of the VOLTS/DIV switch. R639 and R643 select the V (volts) symbol in all ranges. R630, R631, and the output of the probe sensing stage (Q620) select the decimal point (number of zeroes), again depending on the resistor combination switched in by the VOLTS/DIV switch.

Probe sensing stage Q620 identifies the attenuation factor of the probe connected to the INPUT connector by sensing the amount of current flowing through the probe coding resistor located in the probe connector. The output of this circuit corrects the mainframe readout system to include the probe attenuation factor. The third contact of the INPUT connector provides the input to the probe sensing device from the probe coding resistance (coded

probes only; see Operating Instructions). The third contact is also used for the IDENTIFY input. The coding resistor forms a voltage divider with R621 through CR621 to the -15 V supply. The resultant voltage sets the bias on Q620 and determines the collector current, along with emitter resistor R622. When the -15 volt time-slot pulse is applied to Interface Connector B33, Q620 is interrogated and its collector current is added to the column current output through Interface Connector A37.

With a 1X probe (or no probe) connected to the INPUT connector, Q620 is turned off. The deflection factor readout is determined by the VOLTS/DIV switch position. With a 10X probe connected, the bias on Q620 allows 100 microamperes of collector current to flow. This increases the deflection factor readout by a factor of 10.

The IDENTIFY button (S45 on Diagram 1) does two things when pressed:

1. It causes the trace representing the 7A16A to move (see the discussion on the Position Circuit).
2. Forward biases CR621 and Q620 to result in a sufficient amount of collector current which replaces the deflection factor readout with the word "IDENTIFY".

These two actions aid in identifying the 7A16A trace when multiple traces are displayed. When the IDENTIFY button is released, the deflection factor readout is restored.

For further information on the operation of the readout system, see the oscilloscope instruction manual.

# MAINTENANCE

## Introduction

This section of the manual contains maintenance information for use in preventive maintenance, corrective maintenance, and troubleshooting of the 7A16A.

Further maintenance information relating to general maintenance can be found in the instruction manuals for the 7000-series oscilloscopes.

## PREVENTIVE MAINTENANCE

### General

Preventive maintenance, consisting of cleaning, visual inspection, etc., performed on a regular basis, will improve the reliability of this instrument. Periodic checks of the semiconductor devices used in the unit are not recommended as a preventive maintenance measure. See semiconductor-checking information given under Troubleshooting.

### Cleaning



*Avoid the use of chemical cleaning agents which might damage the plastics used in this instrument. Special care should be taken when cleaning the Polyphenylene Oxide attenuator board. Do not apply any solvent containing ketones, esters or halogenated hydrocarbons. To clean, use only water soluble detergents, ethyl, methyl or isopropyl alcohol.*

**Front Panel.** Loose dust may be removed with a soft cloth or a dry brush. Water and mild detergent may be used; however, abrasive cleaners should not be used.

**Interior.** Cleaning the interior of the unit should precede calibration, since the cleaning process could alter the settings of the calibration adjustments. Use low-velocity compressed air to blow off the accumulated dust. Hardened dirt can be removed with a soft, dry brush, cotton-tipped swab, or cloth dampened with a mild detergent and water solution.

### Lubrication

Use a cleaning-type lubricant on shaft bushings, interconnecting plug contacts, and switch contacts. Lubricate switch detents with a heavier grease. A lubrication kit containing the necessary lubricating materials and instructions is available through any TEKTRONIX Field Office. Order TEKTRONIX Part Number 003-0342-01.

## TROUBLESHOOTING

### General

The following is provided to augment information contained in other sections of this manual when troubleshooting the 7A16A. The schematic diagrams, circuit description, and calibration sections should be used to full advantage. The circuit description section gives detailed information on circuit behavior and output requirements.

### Troubleshooting Aids

**Diagrams.** Circuit diagrams are given on foldout pages in Section 7. The circuit number and electrical value of each component in this instrument are shown on the diagrams. Important voltages are also shown.

**Circuit Boards.** The circuit boards used in the 7A16A are outlined on the schematic diagrams, and photographs of the boards are shown on the backs of the schematic diagrams. Each board-mounted electrical component is identified on the photograph by its circuit number.

**Component and Wiring Color Code.** Colored stripes or dots on resistors and capacitors signify electrical values, tolerances, etc., according to the EIA standard color code. Components not color coded usually have the value printed on the body.

The insulated wires used for interconnection in the 7A16A are color coded to facilitate tracing wires from one point to another in the unit.

**Semiconductor Lead Configuration.** The lead configurations of the semiconductor devices used in this instrument are shown on the schematic diagrams.

## Troubleshooting Equipment

The following equipment is useful for troubleshooting the 7A16A.

1. **Semiconductor Tester**—Some means of testing the transistors, diodes, and FET's used in this instrument is helpful. A transistor-curve tracer such as the TEKTRONIX Type 576 will give the most complete information.

2. **DC Voltmeter and Ohmmeter**—A voltmeter is required for checking voltages within the circuits, and an ohmmeter for checking resistors and diodes.

3. **Test Oscilloscope**—A test oscilloscope is required to view waveforms at different points in the circuit. A TEKTRONIX 7000-series Oscilloscope equipped with a readout system, 7D13 Digital Multimeter unit, 7B-series Time-Base unit, and a 7A-series Amplifier unit with a 10X probe will meet the needs of both items 2 and 3.

4. **Plug-in Extender**—A fixture that permits operation of the unit outside of the plug-in compartment for better accessibility during troubleshooting. Order TEKTRONIX Part Number 067-0589-00.

## Troubleshooting Procedure

This troubleshooting procedure is arranged in an order which checks the simple trouble possibilities before proceeding with extensive troubleshooting.

1. **Check Control Settings.** An incorrect setting of the 7A16A controls can indicate a trouble that does not exist. If there is any question about the correct function or operation of a control or front-panel connector, see the Operating Instructions section.

2. **Check Associated Equipment.** Before proceeding with troubleshooting of the 7A16A check that the equipment used with this instrument is operating correctly. If possible, substitute an amplifier unit known to be operating correctly into the indicator unit and see if the problem persists. Check that the input signals are properly connected and that the interconnecting cables are not defective.

3. **Visual Check.** Visually check the portion of the instrument in which the trouble is suspected. Many troubles can be located by visual indications, such as unsoldered connections, broken wires, damaged circuit boards, damaged components, etc.

4. **Check Instrument Performance.** Check the calibration of the unit or the affected circuit, by performing Performance Check of Section 5. The apparent trouble may only be a result of mis-adjustment, and may be corrected by calibration. Complete calibration instructions are given in Section 5.

5. **Check Voltages.** Often the defective component or stage can be located by checking for the correct voltage in the circuit. Typical voltages are given on the diagrams; however, these are not absolute and may vary slightly between instruments. To obtain operating conditions similar to those used to take these readings, see the instructions in the Diagram section.

6. **Check Individual Components.** The following methods are provided for checking the individual components. Components which are soldered in place are best checked by disconnecting one end to isolate the measurement from the effects of surrounding circuitry.

### NOTE

*To locate intermittent or temperature sensitive components mounted on the attenuator board, Quik Freeze (Miller Stephenson, MS-240, TEKTRONIX Part Number 006-0173-01) is recommended. Dry ice or dichloro-difluoromethane (Freon 12, Dupont or Can-O-Gas) may also be used. Other types of circuit coolant may damage the polyphenylene oxide boards.*

A. **TRANSISTORS.** The best check of transistor operation is actual performance under operating conditions. If a transistor is suspected of being defective, it can best be checked by substituting a component known to be good; however, be sure that circuit conditions are not such that a replacement might also be damaged. If substitute transistors are not available, use a dynamic tester (such as TEKTRONIX Type 576). Static-type testers may be used, but since they do not check operation under simulated operating conditions, some defects may go unnoticed. Be sure the power is off before attempting to remove or replace any transistor.

B. **DIODES.** A diode can be checked for an open or for a short circuit by measuring the resistance between terminals with an ohmmeter set to the R X 1k scale. The diode resistance should be very high in one direction and very low when the meter leads are reversed. Do not check tunnel diodes or back diodes with an ohmmeter.



*Do not use an ohmmeter scale that has a high internal current. High currents may damage the diodes.*



C. **RESISTORS.** Check resistors with an ohmmeter. Resistor tolerance is given in the Electrical Parts List. Resistors normally do not need to be replaced unless the measured value varies widely from the specified value.

D. **CAPACITORS.** A leaky or shorted capacitor can be detected by checking resistance with an ohmmeter on the highest scale. Use an ohmmeter which will not exceed the voltage rating of the capacitor. The resistance reading should be high after initial charge of the capacitor. An open capacitor can best be detected with a capacitance meter, or by checking whether the capacitor passes AC signals.

7. **Repair and Readjust the Circuit.** Special techniques required to replace components in this unit are given under Component Replacement. Be sure to check the performance of any circuit that has been repaired or that has had any electrical components replaced. Recalibration of the affected circuit may be necessary.

## CORRECTIVE MAINTENANCE

### General

Corrective maintenance consists of component replacement and instrument repair. Special techniques required to replace components in this instrument are given here.

### Obtaining Replacement Parts

**Standard Parts.** All electrical and mechanical part replacements for the 7A16A can be obtained through your local TEKTRONIX Field Office or representative. However, many of the electronic components can be obtained locally in less time than is required to order them from Tektronix, Inc. Before purchasing or ordering replacement parts, check the parts list for value, tolerance, rating and description.

#### NOTE

*When selecting replacement parts, it is important to remember that the physical size and shape of a component may affect the performance of the instrument, particularly at high frequencies. All replacement parts should be direct replacements unless it is known that a different component will not adversely affect instrument performance.*

**Special Parts.** In addition to the standard electronic components, some special parts are used in the 7A16A. These parts are manufactured or selected by Tektronix, Inc. in accordance with our specifications. These special parts are indicated in the parts list by an asterisk preceding the part number. Most of the mechanical parts used in this instrument have been manufactured by Tektronix, Inc.

Order all special parts directly from your local TEKTRONIX Field Office or representative.

**Ordering Parts.** When ordering replacement parts from Tektronix, Inc., include the following information:

1. Instrument Type.
2. Instrument Serial Number.
3. A description of the part (if electrical, include circuit number).
4. TEKTRONIX Part Number.

### Soldering Techniques

#### WARNING

*Disconnect the instrument from the power source before soldering.*

**Attenuator Circuit Board.** The Attenuator Circuit Board is made from polyphenylene oxide because of its excellent electrical characteristics. Use more than normal care when cleaning or soldering this material. The following rules should be observed when removing or replacing parts:

1. Use a low-wattage soldering iron (not over 15 watts).
2. Do not apply more heat, or apply heat for a longer time, than is absolutely necessary.
3. Use some form of vacuum solder remover when removing multi-lead devices.
4. Do not apply any solvent containing ketones, esters or halogenated hydrocarbons.
5. To clean, use only water-soluble detergents, ethyl, methyl or isopropyl alcohol.

**Circuit Boards (except Attenuator board).** The components mounted on the circuit boards in the amplifier can be replaced using normal circuit board soldering techniques. Keep the following points in mind when soldering on the circuit boards:

1. Use a pencil-type soldering iron with a (wattage) rating from 15 to 50 watts.

## Maintenance—7A16A

2. Apply heat from the soldering iron to the junction between the component and the circuit board.

3. Heat-shunt the lead to the component by means of a pair of long-nose pliers.

4. Avoid excessive heating of the junction with the circuit board, as this could separate the circuit board wiring from the base material.

5. Use electronic grade 60-40 tin lead solder.

6. Clip off any excess lead length extending beyond the circuit board. Clean off any residual flux with a flux-removing solvent.

**Metal Terminals.** When soldering metal terminals (potentiometers, etc.) use 60-40 tin-lead solder and a 15 to 50 watt soldering iron. Observe the following precautions when soldering metal terminals:

1. Apply only enough heat to make the solder flow freely.

2. Apply only enough solder to form a solid connection. Excess solder may impair the function of the part.

3. If a wire extends beyond the solder joint, clip off the excess.

4. Clean the flux from the solder joint with a flux-removing solvent.

## Component Replacement

### **WARNING**

*Disconnect the equipment from the power source before replacing components.*

**Semiconductor Replacement.** Transistors should not be replaced unless actually defective. If removed from their sockets during routine maintenance, return them to their original sockets. Unnecessary replacement of transistors may effect the calibration of this instrument. When transistors are replaced, check the performance of the part of the instrument which may be affected.

Replacement semiconductors should be of the original type or a direct replacement. The schematic diagram shows the lead configurations of the semiconductors used in this instrument. If the replacement semiconductor is not of the original type, check the manufacturer's basing diagram for proper basing.

## Circuit Board Removal

In general, the circuit boards used in the 7A16A need never be removed unless they must be replaced. Electrical connections to the boards are made by soldered connections. If it is necessary to replace a circuit board assembly, use the following procedures.

### A. READOUT CIRCUIT BOARD REMOVAL

1. Disconnect the wires connected to the outside of the board.

2. Remove the seven screws holding the board to the mounting surface.

3. Disconnect the wires connected to the inside of the board.

4. Remove the board from the unit.

5. To replace the board, reverse the order of removal.

### B. ATTENUATOR CIRCUIT BOARD REMOVAL

1. Remove the readout board as outlined in the previous procedure.

2. Disconnect the inductor, capacitor, and two ground straps connected to the rear of the board.

3. Loosen the front set screw on the VARIABLE control shaft coupling (use a 0.050-inch hex-key wrench).

4. Remove the red VARIABLE control knob and glass rod from the control shaft.

5. Remove the remaining front-panel knobs using a 1/16-inch hex-key wrench.

6. Remove the front panel from the instrument by prying at center bottom with screwdriver.

7. Remove the attenuator shields.

8. Disconnect the wires and resistor from the INPUT BNC connector.

9. Remove the INPUT BNC connector.

10. Remove the attenuator board with cam switch from the instrument.

11. Replace by reversing the Removal Procedures.

### C. AMPLIFIER CIRCUIT BOARD REMOVAL

1. Remove the plastic plug-in guide from the rear of the instrument.

2. Disconnect the wires connected to the board from the front-panel controls.

3. Loosen the hex-socket screw in the coupling of the VARIABLE control shaft using a 0.050-inch hex-key wrench. Pull the VARIABLE knob and glass shaft from the front of the instrument.

4. Disconnect the inductor, capacitor, and two ground straps from the front of the board.

5. Remove the screws and nuts securing the board to the chassis or other mounting surface.

6. Remove the board from the instrument.

7. To replace, reverse the order of removal.

### Switch Replacement

Several types of switches are used in the 7A16A. The slide and micro switches should be replaced as a unit if damaged. The following special maintenance information is provided for the cam-type switches.

### CAUTION

*Repair of cam-type switches should be undertaken only by experienced maintenance personnel. Switch alignment and spring tension of the contacts must be carefully maintained for proper operation of the switch. For assistance in maintenance of cam-type switches, contact your local TEKTRONIX Field Office or representative.*

### A. CAM-TYPE SWITCHES

A cam-type switch consists of a rotating cam, which is turned by the front-panel knobs, and a set of contacts mounted on an adjacent circuit board. These switch contacts are actuated by lobes on the cam. The VOLTS/DIV and AC-GND-DC (coupling) cam-type switches can be disassembled for inspection, cleaning, repair, or replacement as follows:

1. Remove the Readout board and the Attenuator board/switch assembly as described previously. The front switch section on the Attenuator board is the AC-GND-DC switch and the rear switch section is the VOLTS/DIV switch. The switches are now open for inspection or cleaning.

2. To completely remove the switch from the board, remove the two screws and four hexagonal posts which hold the cam-type switch to the circuit board.

3. To remove the cam from the front support block, remove the retaining ring from the shaft on the front of the switch and slide the cam out of the support block. Be careful not to lose the small detent roller.

4. To replace defective switch contacts, follow the instructions given in the switch repair kit.

5. To re-install the switch assembly, reverse the above procedure.

### Recalibration After Repair

After any electrical component has been replaced, the calibration of that particular circuit should be checked, as well as the calibration of other closely related circuits. Refer to Section 5 for these procedures.

# CALIBRATION

## Introduction

To assure instrument accuracy, check the calibration of the 7A16A every 1000 hours of operation or every six months if used infrequently. Before complete calibration, thoroughly clean and inspect this instrument as outlined in the Maintenance section.

## TEKTRONIX Field Service

Tektronix, Inc., provides complete instrument repair and recalibration service at local Field Service Centers and the Factory Service Center. Contact your local field office or representative for further information.

## Performance Check

The performance of this instrument can be checked by performing only the steps listed in this procedure. These steps check the instrument against the tolerances listed as a Performance Requirement (see Specification section in the Operators manual).

Limits and tolerances given in other check steps are calibration guides and should not be interpreted as instrument specifications. Operator front-panel adjustments are adjusted as part of the Performance Check procedure.

## Calibration

To verify proper calibration of the 7A16A and to prevent unnecessary re-calibration of the entire instrument, perform the Adjust— portion of a step only if the tolerance given in the Check— part of the step is not met.

For best overall instrument performance when performing a complete calibration procedure, make each adjustment to the exact setting even if the Check— is within allowable tolerance.

## TEST EQUIPMENT REQUIRED

### General

The following test equipment and accessories, or its equivalent, is required for complete calibration of the 7A16A. Specifications given for the test equipment are the minimum necessary for accurate calibration. Therefore, the specifications of any test equipment used must meet or exceed the listed specifications. All test equipment is assumed to be correctly calibrated and operating within the listed specifications. Detailed operating instructions for the test equipment are not given in this procedure. Refer to the instruction manual for the test equipment if more information is needed.

### Special Calibration Fixtures

Special TEKTRONIX calibration fixtures are used in this procedure only where they facilitate instrument calibration. These special calibration fixtures are available from Tektronix, Inc. Order by part number through your local TEKTRONIX Field Office or representative.

### Calibration Equipment Alternatives

All of the listed test equipment is required to completely check and adjust this instrument. The Calibration procedure is based on the first item of equipment given as an example of applicable equipment. When other equipment is substituted, control settings or the calibration setup may need to be altered slightly to meet the requirements of the substitute equipment. If the exact item of test equipment given as an example in the Test Equipment list is not available, first check the Specifications column carefully to see if any other equipment is available which might suffice. Then check the Usage column to see what this item of test equipment is used for. If used for a check or adjustment which is of little or no importance to your measurement requirements, the item and corresponding step(s) can be deleted.

## TEST EQUIPMENT

| Description                         | Minimum Specifications  | Usage  | Examples of Applicable Test Equipment   |
|-------------------------------------|---|--|---|
| Calibration oscilloscope            | 7000-Series oscilloscope mainframe. 7900-Series required to check 7A16A maximum bandwidth and risetime.   | Used throughout procedure to provide display.                    | 1. TEKTRONIX 7904 Oscilloscope.<br>2. Any TEKTRONIX 7000-Series oscilloscopes. Check Specifications for bandwidth and risetime. |
| Time Base Unit                      | 7B-Series timebase unit. Sweep speed to 2 ns/div.   | Used throughout procedure to provide horizontal sweep.           | 1. TEKTRONIX 7B70 Time Base or equivalent.  |
| Standard Amplitude Calibrator       | Amplitude accuracy, within 0.25%; signal amplitude, 20 mV to 20 V; frequency, 1 kHz square-wave.  | Used for gain calibration only.                                  | 1. TEKTRONIX Calibration fixture 067-0502-01.   |
| Square-wave Generator               | Output Capabilities: 12 V into 50 $\Omega$ with a risetime of at least 12 ns and a frequency of approximately 1 kHz; 500 mV into 50 $\Omega$ with a risetime of at least 1 ns at 100 kHz. | Used for Input Compensation and Low Frequency Compensation only. | 1. TEKTRONIX Type 106 Square-wave Generator.  |
| Pulse Generator                     | Risetime of at least 70 ps, step amplitude of 200 mV into 50 $\Omega$ .   | Used for High Frequency Compensation only.                       | 1. TEKTRONIX Type 284 Pulse Generator.  |
| Constant Amplitude Signal Generator | Upper frequency range, 225 MHz; reference frequency, approximately 3 MHz; constant amplitude accuracy, within 2% of reference frequency; amplitude range, 0.5 V to 4 V P-P.               | Used for Bandwidth check only.                                   | 1. TEKTRONIX Calibration Fixture 067-0532-01.   |
| <b>Accessories</b>                  |   |  |   |
| BNC Cable                           | Connectors, BNC; length, 42 inches.   | Used throughout procedure.                                       |   |
| GR Cable                            | Connectors, GR; Impedance, 50 $\Omega$ ; length, approximately 20 inches.   | Used for High Frequency Compensation and Risetime only.          | TEKTRONIX Part Number 017-0515-00.  |
| X10 Attenuator                      | Connectors, GR; Impedance, 50 $\Omega$ .  | Used throughout the procedures.                                  | TEKTRONIX Part Number 017-0078-00.  |
| RC Normalizer                       | Time Constant, 1 M $\Omega$ X 20 pF; connectors, BNC; attenuation, 2X.  | Used for Input Compensation.                                     | TEKTRONIX Part Number 067-0538-00   |
| Termination (thru line)             | Impedance, 50 $\Omega$ ; connectors, GR to BNC male.  | Used throughout procedures.                                      | TEKTRONIX Part Number 017-0064-00   |

## PERFORMANCE CHECK PROCEDURE

## Balance

1. Check DC Bal (R160) vertical deflection of 0.2 division or less while switching between +UP and INVERT.
2. Check 2X Bal (R453) for vertical deflection of 0.2 division or less while switching between 5 mV and 10 mV.
3. Check Var Bal (R553) for vertical deflection of 0.2 division or less while rotating the VARIABLE control throughout the range.

## Gain

4. Check/Adjust GAIN control (R516) to obtain a display of exactly four vertical divisions when the VOLTS/DIV switch is set to 5 mV and the standard amplitude calibrator is set to 20 mV square-wave out.
5. Check 2X Gain control (R413) to obtain a display of exactly five vertical divisions when the VOLTS/DIV switch is set to 10 mV and the standard amplitude calibrator is set to 50 mV square-wave out.
6. Check all VOLTS/DIV switch settings: Within 2%.

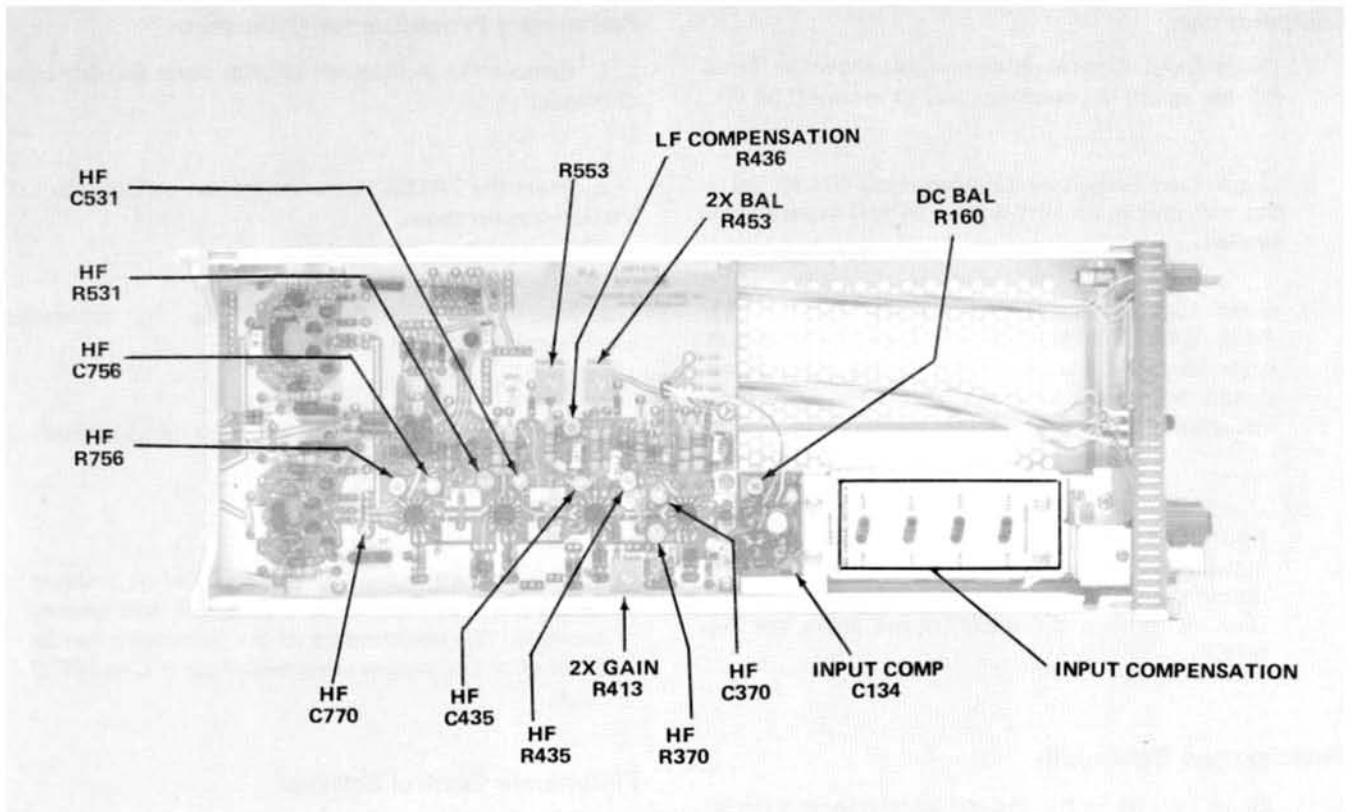


Fig. 5-1a. Location of adjustments, S/N B050000 & up.

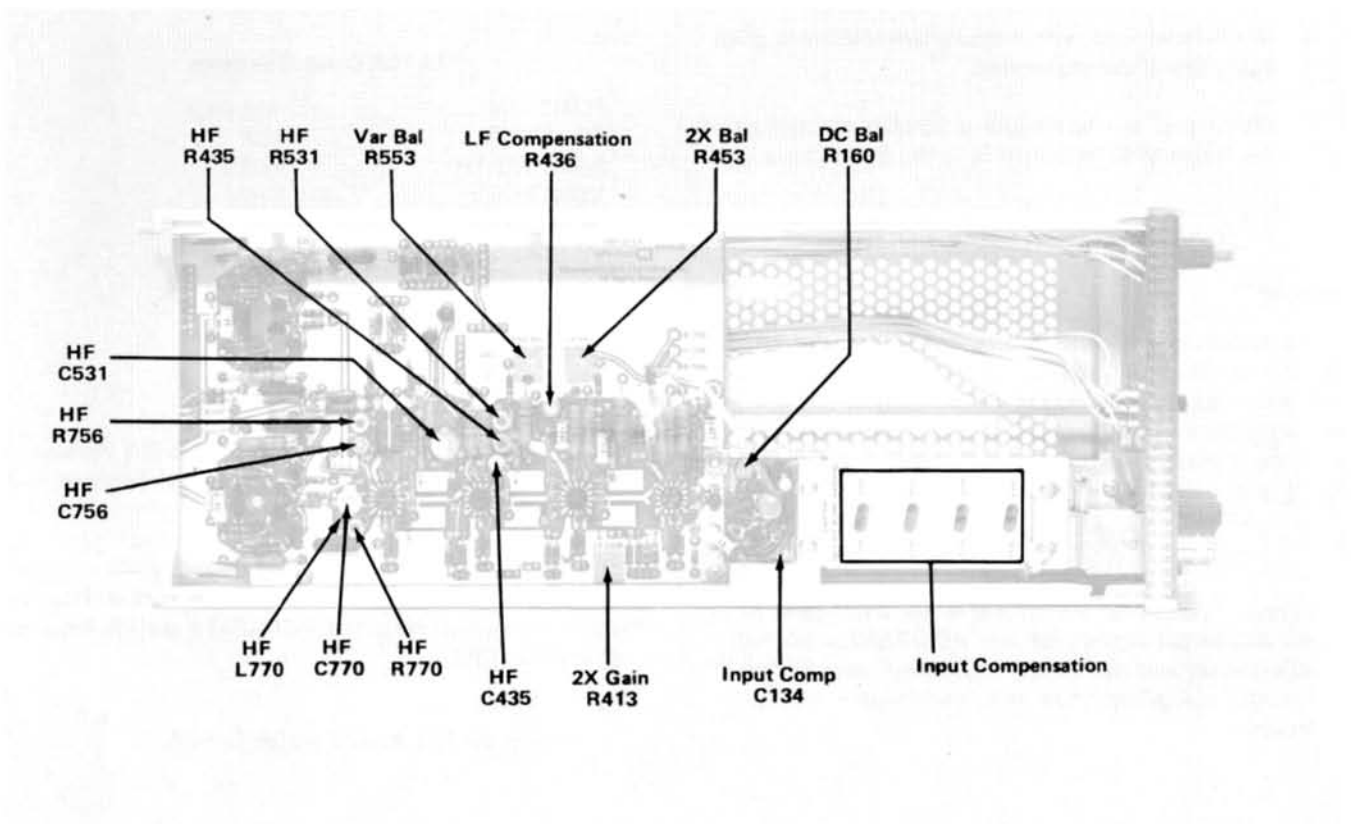


Fig. 5-1b. Location of adjustments, Below S/N B050000.

## Calibration—7A16A

### Compensation

7. Check Input Compensation controls shown in Table 5-2 for rolloff or overshoot not to exceed 0.06 div.
8. Check Low Frequency Compensation (R436) for a flat top (minimum tilt) with a 25 kHz square-wave applied.
9. Check High Frequency Compensation R531, C531, R435, C435, R756, C756, R770, and C770 in that order for best front corner and flat top. Aberrations should not exceed  $\pm 4\%$  and 6% peak-to-peak. (For instruments below SN B050000 see Fig. 5-1b.)
10. Check High Frequency Compensation R370, C370, R531, C531, R435, C435, R756, C756, and C700 in that order for best front corner and flat top. Aberrations should not exceed  $\pm 4\%$  and 6% peak-to-peak (For instruments SN B050000 and above see Fig. 5-1a.)

### Risetime and Bandwidth

11. Check risetime within the system tolerances given in the Specifications section.
12. Check bandwidth within the system tolerances given in the Specifications section.

Check that the bandwidth is 20 MHz  $\pm 3$  MHz when the BANDWIDTH switch is in the 20 MHz position.

## CALIBRATION PROCEDURE

### General

The following procedure is arranged so that the 7A16A can be calibrated with the least interaction of adjustments and re-connection of equipment. The control settings and test equipment setup throughout this procedure continue from the preceding steps unless otherwise noted. Refer to Fig. 5-1a and Fig. 5-1b for location of adjustments.

#### NOTE

*Control titles which are printed on the front panel of the 7A16A are capitalized (e.g. POSITION). Internal adjustments and associated equipment controls are initially capitalized only (e.g. oscilloscope Vertical Mode).*

### Preliminary Procedure for Calibration

1. Remove the oscilloscope left side cover and side panel of plug-in.
2. Insert the 7A16A in the calibration oscilloscope Left Vertical compartment.
3. Insert the time base unit into the calibration oscilloscope Horizontal compartment.
4. Turn oscilloscope on and allow 20 minutes warm-up before proceeding.

#### NOTE

*This instrument should be calibrated at an ambient temperature of  $+20^{\circ}\text{C}$  to  $+30^{\circ}\text{C}$  for best overall accuracy. The performance of the instrument can be checked at any temperature within the  $0^{\circ}\text{C}$  to  $+50^{\circ}\text{C}$  range.*

### Preliminary Control Settings

Set the calibration oscilloscope and time base unit for a sharp, well defined trace. Set the 7A16A control as follows:

#### 7A16A Control Settings

|           |          |
|-----------|----------|
| POSITION  | midrange |
| POLARITY  | +UP      |
| BANDWIDTH | FULL     |
| VOLTS/DIV | 5 mV     |
| AC-DC-GND | GND      |
| VARIABLE  | CAL IN   |

### BALANCE

#### 1. Check/Adjust DC Bal

a. Check—that the vertical trace shift is 0.2 division or less while switching the POLARITY switch between +UP and INVERT.

b. Adjust—R160, DC Bal control, for min vertical deflection while switching the POLARITY switch between +UP and INVERT.

c. Return the POLARITY switch to +UP.

**2. Check/Adjust 2X Bal**

- a. Check—that the vertical trace shift is 0.2 division or less while switching the VOLTS/DIV switch between 10 mV and 5 mV.
- b. Adjust—R453, 2X Bal control, for min vertical deflection while switching the VOLTS/DIV switch between 10 mV and 5 mV.
- c. Return the VOLTS/DIV switch to 5 mV.

**3. Check/Adjust Var Bal**

- a. Check—that the vertical trace shift is 0.2 division or less while rotating the VARIABLE control throughout the range.
- b. Adjust—R553, Var Bal control, for min vertical deflection while rotating the VARIABLE control throughout the range.
- c. Return the VARIABLE control to the CAL IN position.

**GAIN**

**4. Adjust GAIN**

- a. Connect the Standard Amplitude Calibrator to the 7A16A INPUT connector with the 42-inch BNC cable.
- b. Set the AC-GND-DC switch to DC and adjust the Standard Amplitude Calibrator to obtain a 20 mV square-wave.
- c. Adjust—the front panel GAIN control to obtain a display of exactly 4 divisions.

**5. Check/Adjust 2X Gain**

- a. Set the VOLTS/DIV switch to 10 mV and adjust the Standard Amplitude Calibrator to obtain a 50 mV square-wave.
- b. Check—that the display amplitude is 5 divisions  $\pm 0.1$  division.
- c. Adjust—R413, 2X Gain control, to obtain a vertical display of exactly 5 division.

- d. Rotate VARIABLE control CCW and check for 2 div or less of display.
- e. Set VARIABLE control to the CAL IN position.

**6. Check All VOLTS/DIV Gain Settings**

- a. Check—that all VOLTS/DIV gain settings are within 2%. Refer to Table 5-1 for control settings and tolerances.
- b. Return the VOLTS/DIV switch to 10 mV and disconnect the Standard Amplitude Calibrator.

**TABLE 5-1**  
Vertical Deflection Accuracy

| VOLTS/DIV Switch Setting | Standard Amplitude Calibrator Output | Vertical Deflection in Divisions | Maximum Error for $\pm 2\%$ Accuracy (divisions) |
|--------------------------|--------------------------------------|----------------------------------|--|
| 5 mV                     | 20 mV                                | 4                                | $\pm 0.08$                                       |
| 10 mV                    | 50 mV                                | 5                                | $\pm 0.1$  |
| 20 mV                    | 0.1 V                                | 5                                | $\pm 0.1$  |
| 50 mV                    | 0.2 V                                | 4                                | $\pm 0.08$                                       |
| .1 V                     | 0.5 V                                | 5                                | $\pm 0.1$  |
| .2 V                     | 1 V                                  | 5                                | $\pm 0.1$  |
| .5 V                     | 2 V                                  | 4                                | $\pm 0.08$                                       |
| 1 V                      | 5 V                                  | 5                                | $\pm 0.1$  |
| 2 V                      | 10 V                                 | 5                                | $\pm 0.1$  |
| 5 V                      | 20 V                                 | 4                                | $\pm 0.08$                                       |

**COMPENSATION**

**7. Adjust Low Frequency Compensation**

- a. Connect the Square-wave Generator to the 7A16A INPUT through a X10 50  $\Omega$  attenuator and a 50  $\Omega$  terminator.
- b. Set the Square-wave Generator to obtain approximately six vertical divisions of a 1 kHz square-wave.
- c. Adjust—R436, LF compensation control, for best flat top (minimum tilt).
- d. Disconnect the Square-wave Generator.

**8. Adjust Input Compensation**

- a. Connect the Square-wave Generator to the 7A16A INPUT through a X10 50  $\Omega$  attenuator, 50  $\Omega$  termination, and a 20 pF RC Normalizer.



## Calibration—7A16A

b. Set the Square-wave Generator to obtain a 1 kHz, six-division display. Maintain a six division display for all VOLTS/DIV switch positions, remove the X10 attenuator and the 50  $\Omega$  termination when necessary.

c. Adjust—and check compensation for best front corner and flat top as shown in Table 5-2. Rolloff or overshoot should not exceed .06 division.

d. Disconnect the Square-wave Generator from the 7A16A and return the VOLTS/DIV switch to 10 mV.

**TABLE 5-2**  
Attenuator Compensation

| VOLTS/DIV<br>Switch Setting | Adjust for Optimum |          |
|-----------------------------|--------------------|----------|
|                             | Square Corner      | Flat Top |
| 5 mV                        | Check              | Check    |
| 10 mV                       | C134               |          |
| 20 mV                       | C106               | C107     |
| 50 mV                       | C110               | C111     |
| .1 V                        | C114               | C115     |
| .2 V                        | Check              | Check    |
| .5 V                        | Check              | Check    |
| 1 V                         | C118               | C119     |
| 2 V                         | Check              | Check    |
| 5 V                         | Check              | Check    |

### 9. Adjust High Frequency Compensation

a. Connect the Pulse Generator to the 7A16A INPUT via a GR cable, X5 GR attenuator, and a 50  $\Omega$  Terminator.

b. Set the 7A16A VOLTS/DIV switch to 10 mV and set the Pulse generator for a vertical display of approximately 6 divisions.

c. Set the time base unit to obtain a triggered display at a rate of approximately .02  $\mu$ s per division.

d. Position the top of the waveform to 1 division above center screen.

e. Adjust—High Frequency controls: R531, C531, R435, C435, R756, C756, R770, and C770 in that order for best front corner and flat top. Aberrations should not exceed  $\pm$ 4% and 6% peak to peak.

f. Adjust—High Frequency controls: R370, C370, R531, C531, R435, C435, R756, C756, and C770 in that order for best front corner and flat top. Aberrations should not exceed  $\pm$ 4% and 6% peak to peak. (For instruments B050000 and up.)

### NOTE

(For Instruments Below B050000)

If integrated circuit U750 or transistors Q820 or Q840 are replaced, it may become necessary to readjust coil L770. If satisfactory results are not achieved by adjusting all other high frequency controls, then adjust L770 in the following manner: Remove L770 from the plug-in socket and shorten the coil by clipping a small piece with a diagonal cutter. Replace the coil to the plug-in sockets. If aberrations decrease, continue to shorten the coil for optimum results. If the aberrations are increased, form a larger coil using AWG 26 gauge bare wire.

## RISETIME AND BANDWIDTH

### ✓10. Check Risetime

a. Increase the sweep speed of the Time Base unit to approximately 2 ns (0.02  $\mu$ s and X10 Mag).

b. Check—that the risetime of the leading edge of the pulse is within the specifications given in Table 5-3.

c. Disconnect all Test equipment.

**TABLE 5-3**  
System Risetime and Bandwidth

| Mainframe   | Bandwidth | Risetime |
|-------------|-----------|----------|
| 7900-Series | *225 MHz  | 1.6 ns   |
| 7700-Series | *150 MHz  | 2.4 ns   |
| 7500-Series | * 90 MHz  | 3.9 ns   |
| 7400-Series | * 60 MHz  | 5.9 ns   |

\*Depending on the individual mainframe.

### ✓11. Check Bandwidth

a. Connect the Constant Amplitude Signal Generator to the 7A16A INPUT thru a 50  $\Omega$  termination.

b. Set the Constant Amplitude Signal Generator to the reference frequency of 3 MHz and adjust the output amplitude to obtain a 6 division display.

c. Change the frequency of the Constant Amplitude Signal Generator to the value given in Table 5-3.

d. Check—that the amplitude of the display is 4.2 div or greater.

This completes the calibration for the 7A16A.

# REPLACEABLE ELECTRICAL PARTS

## PARTS ORDERING INFORMATION

Replacement parts are available from or through your local Tektronix, Inc. Field Office or representative.

Changes to Tektronix instruments are sometimes made to accommodate improved components as they become available, and to give you the benefit of the latest circuit improvements developed in our engineering department. It is therefore important, when ordering parts, to include the following information in your order: Part number, instrument type or number, serial number, and modification number if applicable.

If a part you have ordered has been replaced with a new or improved part, your local Tektronix, Inc. Field Office or representative will contact you concerning any change in part number.

Change information, if any, is located at the rear of this manual.

## SPECIAL NOTES AND SYMBOLS

X000 Part first added at this serial number  
00X Part removed after this serial number

## ITEM NAME

In the Parts List, an Item Name is separated from the description by a colon (:). Because of space limitations, an Item Name may sometimes appear as incomplete. For further Item Name identification, the U.S. Federal Cataloging Handbook H6-1 can be utilized where possible.

## ABBREVIATIONS

|        |                      |          |                 |
|--------|----------------------|----------|-----------------|
| ACTR   | ACTUATOR             | PLSTC    | PLASTIC         |
| ASSY   | ASSEMBLY             | QTZ      | QUARTZ          |
| CAP    | CAPACITOR            | RECP     | RECEPTACLE      |
| CER    | CERAMIC              | RES      | RESISTOR        |
| CKT    | CIRCUIT              | RF       | RADIO FREQUENCY |
| COMP   | COMPOSITION          | SEL      | SELECTED        |
| CONN   | CONNECTOR            | SEMICOND | SEMICONDUCTOR   |
| ELCTLT | ELECTROLYTIC         | SENS     | SENSITIVE       |
| ELEC   | ELECTRICAL           | VAR      | VARIABLE        |
| INCAND | INCANDESCENT         | WW       | WIREWOUND       |
| LED    | LIGHT EMITTING DIODE | XFMR     | TRANSFORMER     |
| NONWIR | NON WIREWOUND        | XTAL     | CRYSTAL         |

## CROSS INDEX MFR. CODE NUMBER TO MANUFACTURER

| MFR.CODE | MANUFACTURER  | ADDRESS                | CITY,STATE,ZIP          |
|----------|---|------------------------|-------------------------|
| 00853    | Sangamo Electric Co., S. Carolina Div.                                      | P. O. Box 128          | Pickens, SC 29671       |
| 01121    | Allen-Bradley Co.   | 1201 2nd St. South     | Milwaukee, WI 53204     |
| 01295    | Texas Instruments, Inc.,<br>Semiconductor Group                             | P. O. Box 5012         | Dallas, TX 75222        |
| 03508    | General Electric Co., Semi-Conductor<br>Products Dept.                      | Electronics Park       | Syracuse, NY 13201      |
| 07263    | Fairchild Semiconductor, A Div. of<br>Fairchild Camera and Instrument Corp. | 464 Ellis St.          | Mountain View, CA 94042 |
| 07910    | Teledyne Semiconductor  | 12515 Chadron Ave.     | Hawthorne, CA 90250     |
| 17856    | Siliconix, Inc.   | 2201 Laurelwood Rd.    | Santa Clara, CA 95054   |
| 24931    | Specialty Connector Co., Inc.   | 3560 Madison Ave.      | Indianapolis, IN 46227  |
| 50157    | N. L. Industries, Inc., Electronics<br>Dept.                                | P. O. Box 787          | Muskegon, MI 49443      |
| 56289    | Sprague Electric Co.  |                        | North Adams, MA 01247   |
| 72982    | Erie Technological Products, Inc.   | 644 W. 12th St.        | Erie, PA 16512          |
| 73138    | Beckman Instruments, Inc., Helipot Div.                                     | 2500 Harbor Blvd.      | Fullerton, CA 92634     |
| 74970    | Johnson, E. F., Co.   | 299 10th Ave. S. W.    | Waseca, MN 56093        |
| 75042    | TRW Electronic Components, IRC Fixed<br>Resistors, Philadelphia Division    | 401 N. Broad St.       | Philadelphia, PA 19108  |
| 79727    | C-W Industries  | 550 Davisville Rd.     | Warminster, PA 18974    |
| 80009    | Tektronix, Inc.   | P. O. Box 500          | Beaverton, OR 97077     |
| 80294    | Bourns, Inc., Instrument Div.   | 6135 Magnolia Ave.     | Riverside, CA 92506     |
| 80740    | Beckman Instruments, Inc.   | 2500 Harbor Blvd.      | Fullerton, CA 92634     |
| 90201    | Mallory Capacitor Co., Div. of<br>P. R. Mallory Co., Inc.                   | 3029 E. Washington St. | Indianapolis, IN 46206  |

| Ckt No.           | Tektronix Part No. | Serial/Model No. Eff | Dscont   | Name & Description                       | Mfr Code | Mfr Part Number |
|-------------------|--------------------|----------------------|----------|--|----------|-----------------|
| A1                | 670-2324-01        | B010100              | B059999  | CKT BOARD ASSY:ATTENUATOR                | 80009    | 670-2324-01     |
| A1                | 670-2324-00        | B060000              | B069999  | CKT BOARD ASSY:ATTENUATOR                | 80009    | 670-2324-00     |
| A1                | 670-2324-03        | B070000              |          | CKT BOARD ASSY:ATTENUATOR                | 80009    | 670-2324-03     |
| A2                | 670-2323-00        | B010100              | B049999  | CKT BOARD ASSY:AMPLIFIER                 | 80009    | 670-2323-00     |
| A2                | 670-2323-01        | B050000              | B089999  | CKT BOARD ASSY:AMPLIFIER                 | 80009    | 670-2323-01     |
| A2                | 670-2323-02        | B090000              |          | CKT BOARD ASSY:AMPLIFIER                 | 80009    | 670-2323-02     |
| A3                | 670-2310-01        | B010100              | B059999  | CKT BOARD ASSY:READOUT                   | 80009    | 670-2310-01     |
| A3                | 670-2310-00        | B060000              |          | CKT BOARD ASSY:READOUT                   | 80009    | 670-2310-00     |
| C10               | 285-0816-01        |                      |          | CAP.,FXD,PLSTC:0.19UF,10%,600V           | 80009    | 285-0816-01     |
| C13               | 283-0000-00        |                      |          | CAP.,FXD,CER DI:0.001UF,+100-0%,500V     | 72982    | 831-516E102P    |
| C15               | 283-0000-00        |                      |          | CAP.,FXD,CER DI:0.001UF,+100-0%,500V     | 72982    | 831-516E102P    |
| C106              | 307-1010-01        |                      |          | ATTENUATOR,FXD:2X                        | 80009    | 307-1010-01     |
| C107              |                    |                      |          |  |          |                 |
| C110              | 307-1012-00        |                      |          | ATTENUATOR,FXD:5X                        | 80009    | 307-1012-00     |
| C111              |                    |                      |          |  |          |                 |
| C114              | 307-1013-01        |                      |          | ATTENUATOR,FXD:10X                       | 80009    | 307-1013-01     |
| C115              |                    |                      |          |  |          |                 |
| C117              | 281-0626-00        | B010100              | B069999X | CAP.,FXD,CER DI:3.3PF,1%,500V            | 72982    | 301-000C0J0339B |
| C118              | 307-1013-01        |                      |          | ATTENUATOR,FXD:10X                       | 80009    | 307-1013-01     |
| C119              |                    |                      |          |  |          |                 |
| C130              | 281-0670-00        | B010100              | B069999  | CAP.,FXD,CER DI:1.8PF,+/-0.1PF,500V      | 72982    | 374-005C0K0189B |
| C130              | 281-0064-00        | B070000              |          | CAP.,VAR,PLSTC:0.25-1.5PF,600V           | 72982    | 530-002         |
| C132              | 283-0000-00        |                      |          | CAP.,FXD,CER DI:0.001UF,+100-0%,500V     | 72982    | 831-516E102P    |
| C134              | 281-0064-00        |                      |          | CAP.,VAR,PLSTC:0.25-1.5PF,600V           | 72982    | 530-002         |
| C140              | 281-0615-00        | B010100              | B069999  | CAP.,FXD,CER DI:3.9PF,+/-0.5PF,200V      | 72982    | 374-001C0J0399D |
| C140              | 290-0536-00        | B070000              |          | CAP.,FXD,ELCTLT:10UF,20%,25V             | 90201    | TDC106M025FL    |
| C142              | 283-0156-00        | XB070000             |          | CAP.,FXD,CER DI:1000PF,+100-0%,200V      | 72982    | 8111A208E102Z   |
| C144 <sup>1</sup> | 283-0156-00        | XB062454             |          | CAP.,FXD,CER DI:1000PF,+100-0%,200V      | 72982    | 8111A208E102Z   |
| C150              | 281-0562-00        | B010100              | B069999X | CAP.,FXD,CER DI:39PF,10%,500V            | 72982    | 301-000U2J0390K |
| C154              | 283-0000-00        | B010100              | B069999X | CAP.,FXD,CER DI:0.001UF,+100-0%,500V     | 72982    | 831-516E102P    |
| C156              | 283-0156-00        | XB070000             |          | CAP.,FXD,CER DI:1000PF,+100-0%,200V      | 72982    | 8111A208E102Z   |
| C158              | 290-0536-00        |                      |          | CAP.,FXD,ELCTLT:10UF,20%,25V             | 90201    | TDC106M025FL    |
| C190              | 281-0600-00        | B010100              | B079999X | CAP.,FXD,CER DI:35PF,10%,500V            | 72982    | 308-000C0G0350K |
| C334              | 281-0628-00        |                      |          | CAP.,FXD,CER DI:15PF,5%,600V             | 72982    | 301-000C0G0150G |
| C329              | 283-0000-00        | B010100              | B049999X | CAP.,FXD,CER DI:0.001UF,+100-0%,500V     | 72982    | 831-516E102P    |
| C331              | 283-0041-00        | B010100              | B089999  | CAP.,FXD,CER DI:0.0033UF,5%,500V         | 72982    | 841-541B332J    |
| C331              | 283-0083-00        | B090000              |          | CAP.,FXD,CER DI:0.0047UF,(NOM VALUE),SEL | 72982    | 811-565C472J    |
| C332              | 283-0026-00        |                      |          | CAP.,FXD,CER DI:0.2UF,+80-20%,25V        | 56289    | 274C3           |
| C350              | 283-0000-00        |                      |          | CAP.,FXD,CER DI:0.001UF,+100-0%,500V     | 72982    | 831-516E102P    |
| C370              | 281-0186-00        | XB050000             | B089999X | CAP.,VAR,PLSTC:1.1-3.5PF,100V            |          |                 |
| C431              | 281-0546-00        |                      |          | CAP.,FXD,CER DI:330PF,10%,500V           | 72982    | 301-000X5P0331K |
| C434              | 281-0540-00        |                      |          | CAP.,FXD,CER DI:51PF,5%,500V             | 72982    | 301-000U2J0510J |
| C435              | 281-0123-00        |                      |          | CAP.,VAR,CER DI:5-25PF,100V              | 72982    | 518-000A5-25    |
| C436              | 283-0010-00        |                      |          | CAP.,FXD,CER DI:0.05UF,+100-20%,50V      | 56289    | 273C20          |
| C530              | 281-0628-00        | B010100              | B049999X | CAP.,FXD,CER DI:15PF,5%,600V             | 72982    | 301-000C0G0150G |
| C531              | 281-0167-00        | B010100              | B049999  | CAP.,VAR,CER DI:9-45PF,200V              | 72982    | 538-011-D 9-45  |
| C531              | 281-0158-00        | B050000              |          | CAP.,VAR,CER DI:7-45PF,50V               | 72982    | 518-000G7-45    |
| C534              | 283-0003-00        |                      |          | CAP.,FXD,CER DI:0.01UF,+80-20%,150V      | 72982    | 855-547E103Z    |
| C538              | 283-0238-00        | B010100              | B029999  | CAP.,FXD,CER DI:0.01UF,10%,50V           | 72982    | 8121N071WR5103K |
| C538              | 283-0191-00        | B030000              | B089999X | CAP.,FXD,CER DI:0.022UF,20%,50V          | 72982    | 8121N063651223M |
| C621              | 283-0000-00        |                      |          | CAP.,FXD,CER DI:0.001UF,+100-0%,500V     | 72982    | 831-516E102P    |
| C630              | 283-0000-00        |                      |          | CAP.,FXD,CER DI:0.001UF,+100-0%,500V     | 72982    | 831-516E102P    |
| C634              | 283-0000-00        |                      |          | CAP.,FXD,CER DI:0.001UF,+100-0%,500V     | 72982    | 831-516E102P    |
| C635              | 283-0000-00        |                      |          | CAP.,FXD,CER DI:0.001UF,+100-0%,500V     | 72982    | 831-516E102P    |

<sup>1</sup>Added if necessary.

# Electrical Parts List—7A16A

| Ckt No.           | Tektronix Part No. | Serial/Model No. Eff | Dscont   | Name & Description                         | Mfr Code | Mfr Part Number |
|-------------------|--------------------|----------------------|----------|--|----------|-----------------|
| C638              | 283-0000-00        |                      |          | CAP.,FXD,CER DI:0.001UF,+100-0%,500V       | 72982    | 831-516E102P    |
| C643              | 283-0000-00        |                      |          | CAP.,FXD,CER DI:0.001UF,+100-0%,500V       | 72982    | 831-516E102P    |
| C647              | 283-0000-00        |                      |          | CAP.,FXD,CER DI:0.001UF,+100-0%,500V       | 72982    | 831-516E102P    |
| C648              | 283-0003-00        |                      |          | CAP.,FXD,CER DI:0.01UF,+80-20%,150V        | 72982    | 855-547E103Z    |
| C649              | 283-0000-00        |                      |          | CAP.,FXD,CER DI:0.001UF,+100-0%,500V       | 72982    | 831-516E102P    |
| C721              | 281-0534-00        |                      |          | CAP.,FXD,CER DI:3.3PF,+/-0.25PF,500V       | 72982    | 301-000C0J0339C |
| C754              | 283-0067-00        | B010100              | B089999  | CAP.,FXD,CER DI:0.001UF,10%,200V           | 72982    | 835-515B102K    |
| C754              | 283-0238-00        | B090000              |          | CAP.,FXD,CER DI:0.01UF,(NOM VALUE),SEL     | 72982    | 8121N071WR5103K |
| C756              | 281-0161-00        |                      |          | CAP.,VAR,CER DI:5-15PF,350V                | 72982    | 518-000A5-15    |
| C770              | 281-0168-00        | B010100              | B049999  | CAP.,VAR,AIR DI:1.3-5.4PF,250V             | 74970    | 187-0103-035    |
| C770              | 281-0064-00        | B050000              |          | CAP.,VAR,PLSTC:0.25-1.5PF,600V             | 72982    | 530-002         |
| C820              | 283-0010-00        |                      |          | CAP.,FXD,CER DI:0.05UF,+100-20%,50V        | 56289    | 273C20          |
| C840              | 283-0010-00        |                      |          | CAP.,FXD,CER DI:0.05UF,+100-20%,50V        | 56289    | 273C20          |
| C860              | 283-0644-00        | B010100              | B069999  | CAP.,FXD,MICA D:150PF,1%,500V              | 00853    | D155E151F0      |
| C860              | 283-0640-00        | B070000              |          | CAP.,FXD,MICA D:160PF,1%,100V              | 00853    | D151E161F0      |
| C880              | 281-0603-00        |                      |          | CAP.,FXD,CER DI:39PF,5%,500V               | 72982    | 308-000C0G0390J |
| C903              | 281-0557-00        | B010100              | B049999X | CAP.,FXD,CER DI:1.8PF,10%,500V             | 72982    | 301-000C0K0189B |
| C920              | 283-0010-00        |                      |          | CAP.,FXD,CER DI:0.05UF,+100-20%,50V        | 56289    | 273C20          |
| C940              | 283-0010-00        |                      |          | CAP.,FXD,CER DI:0.05UF,+100-20%,50V        | 56289    | 273C20          |
| C960              | 283-0644-00        |                      |          | CAP.,FXD,MICA D:150PF,1%,500V              | 00853    | D155E151F0      |
| C980              | 281-0603-00        |                      |          | CAP.,FXD,CER DI:39PF,5%,500V               | 72982    | 308-000C0G0390J |
| C1010             | 283-0002-00        |                      |          | CAP.,FXD,CER DI:0.01UF,+80-20%,500V        | 72982    | 811-546E103Z    |
| C1012             | 283-0002-00        |                      |          | CAP.,FXD,CER DI:0.01UF,+80-20%,500V        | 72982    | 811-546E103Z    |
| C1020             | 283-0002-00        |                      |          | CAP.,FXD,CER DI:0.01UF,+80-20%,500V        | 72982    | 811-546E103Z    |
| C1022             | 283-0002-00        |                      |          | CAP.,FXD,CER DI:0.01UF,+80-20%,500V        | 72982    | 811-546E103Z    |
| CR130             | 152-0321-00        |                      |          | SEMICONV DEVICE:SILICON,35V,100MA          | 07263    | FSA1480         |
| CR507             | 152-0141-02        |                      |          | SEMICONV DEVICE:SILICON,30V,150MA          | 07910    | 1N4152          |
| CR621             | 152-0141-02        |                      |          | SEMICONV DEVICE:SILICON,30V,150MA          | 07910    | 1N4152          |
| CR631             | 152-0141-02        |                      |          | SEMICONV DEVICE:SILICON,30V,150MA          | 07910    | 1N4152          |
| CR647             | 152-0141-02        |                      |          | SEMICONV DEVICE:SILICON,30V,150MA          | 07910    | 1N4152          |
| CR720             | 152-0141-02        |                      |          | SEMICONV DEVICE:SILICON,30V,150MA          | 07910    | 1N4152          |
| CR860             | 152-0141-02        |                      |          | SEMICONV DEVICE:SILICON,30V,150MA          | 07910    | 1N4152          |
| CR880             | 152-0141-02        |                      |          | SEMICONV DEVICE:SILICON,30V,150MA          | 07910    | 1N4152          |
| CR960             | 152-0141-02        |                      |          | SEMICONV DEVICE:SILICON,30V,150MA          | 07910    | 1N4152          |
| CR980             | 152-0141-02        |                      |          | SEMICONV DEVICE:SILICON,30V,150MA          | 07910    | 1N4152          |
| J10               | 131-0679-00        | B010100              | B079999  | CONNECTOR,RCPT,:BNC W/HARDWARE             | 24931    | 28JR168-1       |
| J10               | 131-0679-02        | B080000              |          | CONNECTOR,RCPT,:BNC W/HARDWARE             |          |                 |
| L118              | 108-0557-00        | B010100              | B069999X | COIL,RF:35NH                               | 80009    | 108-0557-00     |
| L370              | 108-0420-00        | XB050000             | B089999X | COIL,RF:60NH                               | 80009    | 108-0420-00     |
| L770 <sup>1</sup> | XXX-XXXX-XX        | B010100              | B049999X |  |          |                 |
| L860              | 108-0311-00        |                      |          | COIL,RF:0.18UH                             |          |                 |
| L880              | 108-0311-00        |                      |          | COIL,RF:0.18UH                             |          |                 |
| L960              | 108-0311-00        |                      |          | COIL,RF:0.18UH                             |          |                 |
| L980              | 108-0311-00        |                      |          | COIL,RF:0.18UH                             |          |                 |
| LR107             | 108-0744-00        | B010100              | B069999X | COIL,RF:81NH(WOUND ON A 75 OHM RESISTOR)   |          |                 |
| LR111             | 108-0745-00        | B010100              | B069999X | COIL,RF:110NH(WOUND ON A 130 OHM RESISTOR) |          |                 |
| LR701             | 108-0407-00        | XB062454             |          | COIL,RF:37NH                               |          |                 |
| LR703             | 108-0407-00        | XB062454             |          | COIL,RF:37NH                               |          |                 |
| LR1010            | 108-0184-00        |                      |          | COIL,RF:3.2UH(WOUND ON A 100 OHM RESISTOR) |          |                 |
| LR1020            | 108-0184-00        |                      |          | COIL,RF:3.2UH(WOUND ON A 100 OHM RESISTOR) |          |                 |
| Q140              | 151-0367-00        | B010100              | B069999X | TRANSISTOR:SILICON,NPN,SEL FROM 3571TP     | 80009    | 151-0367-00     |
| Q150A,B           | 151-1032-00        |                      |          | TRANSISTOR:SILICON,FET,DUAL                | 17856    | DN399           |
| Q620              | 151-0254-00        |                      |          | TRANSISTOR:SILICON,NPN                     | 03508    | 2N5308          |

<sup>1</sup>Test selected length of wire.

Electrical Parts List—7A16A

| Ckt No.           | Tektronix Part No. | Serial/Model No. Eff | Dscont   | Name & Description                   | Mfr Code | Mfr Part Number |
|-------------------|--------------------|----------------------|----------|--------------------------------------|----------|-----------------|
| Q720              | 151-0341-00        |                      |          | TRANSISTOR:SILICON,NPN               | 07263    | 2N3565          |
| Q730              | 151-0341-00        |                      |          | TRANSISTOR:SILICON,NPN               | 07263    | 2N3565          |
| Q820              | 153-0606-00        |                      |          | TRANSISTOR:SILICON,NPN,SELECTED QUAD |          |                 |
| Q840              |                    |                      |          |                                      |          |                 |
| Q860              |                    |                      |          |                                      |          |                 |
| Q880              |                    |                      |          |                                      |          |                 |
| Q920              | 151-0271-00        |                      |          | TRANSISTOR:SILICON,PNP               | 01295    | SKA4504         |
| Q940              | 151-0271-00        |                      |          | TRANSISTOR:SILICON,PNP               | 01295    | SKA4504         |
| Q960              | 151-0221-00        |                      |          | TRANSISTOR:SILICON,PNP               | 80009    | 151-0221-00     |
| Q980              | 151-0221-00        |                      |          | TRANSISTOR:SILICON,PNP               | 80009    | 151-0221-00     |
| R10               | 315-0560-00        |                      |          | RES.,FXD,COMP:56 OHM,5%,0.25W        | 01121    | CB5605          |
| R13               | 316-0101-00        |                      |          | RES.,FXD,COMP:100 OHM,10%,0.25W      | 01121    | CB1011          |
| R102              | 316-0105-00        |                      |          | RES.,FXD,COMP:1M OHM,10%,0.25W       | 01121    | CB1051          |
| R104              | 315-0560-00        |                      |          | RES.,FXD,COMP:56 OHM,5%,0.25W        | 01121    | CB5605          |
| R106              | 317-0330-00        | XB070000             |          | RES.,FXD,COMP:33 OHM,(NOM VALUE),SEL | 01121    | BB3305          |
| R110              | 317-0470-00        | XB070000             |          | RES.,FXD,COMP:47 OHM,(NOM VALUE),SEL | 01121    | BB4705          |
| R114              | 317-0220-00        | XB070000             |          | RES.,FXD,COMP:22 OHM,(NOM VALUE),SEL | 01121    | BB2205          |
| R115              | 315-0430-00        | B010100              | B069999  | RES.,FXD,COMP:43 OHM,5%,0.25W        | 01121    | CB4305          |
| R115              | 315-0560-00        | B070000              |          | RES.,FXD,COMP:56 OHM,(NOM VALUE),SEL | 01121    | CB5605          |
| R118              | 315-0330-00        | B010100              | B039999  | RES.,FXD,COMP:33 OHM,5%,0.25W        | 01121    | CB3305          |
| R118              | 315-0360-00        | B040000              | B069999  | RES.,FXD,COMP:36 OHM,(NOM VALUE),SEL | 01121    | CB3605          |
| R118              | 315-0750-00        | B070000              |          | RES.,FXD,COMP:75 OHM,(NOM VALUE),SEL | 01121    | CB7505          |
| R119              | 317-0360-00        | XB070000             |          | RES.,FXD,COMP:36 OHM,(NOM VALUE),SEL | 01121    | BB3605          |
| R130              | 321-0481-01        |                      |          | RES.,FXD,FILM:1M OHM,0.5%,0.125W     | 75042    | CEAT0-1004D     |
| R132              | 316-0474-00        |                      |          | RES.,FXD,COMP:470K OHM,10%,0.25W     | 01121    | CB4741          |
| R133 <sup>1</sup> |                    |                      |          |                                      |          |                 |
| R134              | 315-0751-00        | B010100              | B069999  | RES.,FXD,COMP:750 OHM,5%,0.25W       | 01121    | CB7515          |
| R134              | 315-0471-00        | B070000              |          | RES.,FXD,COMP:470 OHM,5%,0.25W       | 01121    | CB4715          |
| R140              | 315-0621-00        | B010100              | B069999  | RES.,FXD,COMP:620 OHM,5%,0.25W       | 01121    | CB6215          |
| R140              | 315-0201-00        | B070000              |          | RES.,FXD,COMP:200 OHM,5%,0.25W       | 01121    | CB2015          |
| R142              | 315-0132-00        | B010100              | B069999  | RES.,FXD,COMP:1.3K OHM,5%,0.25W      | 01121    | CB1325          |
| R142              | 315-0621-00        | B070000              |          | RES.,FXD,COMP:620 OHM,5%,0.25W       | 01121    | CB6215          |
| R144              | 315-0221-00        | B010000              | B069999X | RES.,FXD,COMP:220 OHM,5%,0.25W       | 01121    | CB2215          |
| R145              | 315-0560-00        | B010100              | B069999X | RES.,FXD,COMP:56 OHM,5%,0.25W        | 01121    | CB5605          |
| R150              | 315-0200-00        |                      |          | RES.,FXD,COMP:20 OHM,5%,0.25W        | 01121    | CB2005          |
| R151              | 315-0560-00        | B010100              | B069999X | RES.,FXD,COMP:56 OHM,5%,0.25W        | 01121    | CB5605          |
| R152              | 315-0200-00        |                      |          | RES.,FXD,COMP:20 OHM,5%,0.25W        | 01121    | CB2005          |
| R154              | 316-0105-00        | B010100              | B069999X | RES.,FXD,COMP:1M OHM,10%,0.25W       | 01121    | CB1051          |
| R156              | 315-0201-00        |                      |          | RES.,FXD,COMP:200 OHM,5%,0.25W       | 01121    | CB2015          |
| R158              | 315-0621-00        |                      |          | RES.,FXD,COMP:620 OHM,5%,0.25W       | 01121    | CB6215          |
| R160              | 311-1268-00        |                      |          | RES.,VAR,NONWIR:10K OHM,10%,0.50W    | 73138    | 62PT-351-0      |
| R162              | 315-0200-00        |                      |          | RES.,FXD,COMP:20 OHM,5%,0.25W        | 01121    | CB2005          |
| R164              | 315-0562-00        |                      |          | RES.,FXD,COMP:5.6K OHM,5%,0.25W      | 01121    | CB5625          |
| R301              | 316-0271-00        |                      |          | RES.,FXD,COMP:270 OHM,10%,0.25W      | 01121    | CB2711          |
| R303              | 316-0271-00        |                      |          | RES.,FXD,COMP:270 OHM,10%,0.25W      | 01121    | CB2711          |
| R305              | 315-0391-00        |                      |          | RES.,FXD,COMP:390 OHM,5%,0.25W       | 01121    | CB3915          |
| R307              | 315-0391-00        |                      |          | RES.,FXD,COMP:390 OHM,5%,0.25W       | 01121    | CB3915          |
| R311              | 315-0272-00        |                      |          | RES.,FXD,COMP:2.7K OHM,5%,0.25W      | 01121    | CB2725          |
| R313              | 315-0272-00        |                      |          | RES.,FXD,COMP:2.7K OHM,5%,0.25W      | 01121    | CB2725          |
| R320              | 323-0179-00        |                      |          | RES.,FXD,FILM:715 OHM,1%,0.50W       |          |                 |
| R323              | 323-0179-00        |                      |          | RES.,FXD,FILM:715 OHM,1%,0.50W       |          |                 |
| R327              | 316-0822-00        |                      |          | RES.,FXD,COMP:8.2K OHM,10%,0.25W     | 01121    | CB8221          |
| R329              | 316-0822-00        |                      |          | RES.,FXD,COMP:8.2K OHM,10%,0.25W     | 01121    | CB8221          |
| R331              | 315-0242-00        | B010100              | B029999  | RES.,FXD,COMP:2.4K OHM,5%,0.25W      | 01121    | CB2425          |
| R331              | 315-0182-00        | B030000              | B089999  | RES.,FXD,COMP:1.8K OHM,5%,0.25W      | 01121    | CB1825          |

<sup>1</sup> Selected and added if necessary.

# Electrical Parts List—7A16A

| Ckt No.           | Tektronix Part No. | Serial/Model No. Eff | Dscont   | Name & Description                     | Mfr Code | Mfr Part Number |
|-------------------|--------------------|----------------------|----------|--|----------|-----------------|
| R331              | 315-0122-00        | B090000              |          | RES.,FXD,COMP:1.2K OHM,(NOM VALUE),SEL | 01121    | CB1225          |
| R332              | 315-0362-00        | B010100              | B029999  | RES.,FXD,COMP:3.6K OHM,5%,0.25W        | 01121    | CB3625          |
| R332              | 315-0682-00        | B030000              |          | RES.,FXD,COMP:6.8K OHM,5%,0.25W        | 01121    | CB6825          |
| R350              | 316-0330-00        | XB040000             |          | RES.,FXD,COMP:33 OHM,10%,0.25W         | 01121    | CB3301          |
| R352              | 316-0330-00        | XB040000             |          | RES.,FXD,COMP:33 OHM,10%,0.25W         | 01121    | CB3301          |
| R370              | 311-1260-00        | XB050000             | B089999X | RES.,VAR,NONWIR:250 OHM,10%,0.50W      | 73138    | 62PT-345-0      |
| R401              | 321-0069-00        |                      |          | RES.,FXD,FILM:51.1 OHM,1%,0.125W       | 75042    | CEATO-51R10F    |
| R403              | 321-0069-00        |                      |          | RES.,FXD,FILM:51.1 OHM,1%,0.125W       | 75042    | CEATO-51R10F    |
| R405              | 323-0139-00        |                      |          | RES.,FXD,FILM:274 OHM,1%,0.50W         | 75042    | CECTO-2740F     |
| R411              | 315-0202-00        |                      |          | RES.,FXD,COMP:2K OHM,5%,0.25W          | 01121    | CB2025          |
| R413              | 311-1226-00        |                      |          | RES.,VAR,NONWIR:2.5K OHM,20%,0.50W     | 80294    | 3389F-P31-252   |
| R414              | 316-0271-00        |                      |          | RES.,FXD,COMP:270 OHM,10%,0.25W        | 01121    | CB2711          |
| R415              | 315-0302-00        |                      |          | RES.,FXD,COMP:3K OHM,5%,0.25W          | 01121    | CB3025          |
| R417              | 315-0302-00        |                      |          | RES.,FXD,COMP:3K OHM,5%,0.25W          | 01121    | CB3025          |
| R419              | 316-0681-00        |                      |          | RES.,FXD,COMP:680 OHM,10%,0.25W        | 01121    | CB6811          |
| R420              | 323-0198-00        |                      |          | RES.,FXD,FILM:1.13K OHM,1%,0.50W       |          |                 |
| R423              | 323-0198-00        |                      |          | RES.,FXD,FILM:1.13K OHM,1%,0.50W       |          |                 |
| R431              | 315-0512-00        | B010100              | B029999  | RES.,FXD,COMP:5.1K OHM,5%,0.25W        | 01121    | CB5125          |
| R431              | 315-0202-00        | B030000              | B089999  | RES.,FXD,COMP:2K OHM,5%,0.25W          | 01121    | CB2025          |
| R431              | 315-0182-00        | B090000              |          | RES.,FXD,COMP:1.8K OHM,(NOM VALUE),SEL | 01121    | CB1825          |
| R432              | 316-0330-00        | XB040000             | B089999  | RES.,FXD,COMP:33 OHM,10%,0.25W         | 01121    | CB3301          |
| R432              | 315-0101-00        | B090000              |          | RES.,FXD,COMP:100 OHM,5%,0.25W         | 01121    | CB1015          |
| R433              | 316-0330-00        | XB040000             | B089999  | RES.,FXD,COMP:33 OHM,10%,0.25W         | 01121    | CB3301          |
| R433              | 315-0101-00        | B090000              |          | RES.,FXD,COMP:100 OHM,5%,0.25W         | 01121    | CB1015          |
| R434              | 315-0162-00        | B010100              | B029999  | RES.,FXD,COMP:1.6K OHM,5%,0.25W        | 01121    | CB1625          |
| R434              | 315-0911-00        | B030000              | B089999  | RES.,FXD,COMP:910 OHM,5%,0.25W         | 01121    | CB9115          |
| R434              | 315-0511-00        | B090000              |          | RES.,FXD,COMP:510 OHM,5%,0.25W         | 01121    | CB5115          |
| R435              | 311-1259-00        |                      |          | RES.,VAR,NONWIR:100 OHM,10%,0.50W      | 80294    | 3329P-L58-101   |
| R436              | 311-1269-00        |                      |          | RES.,VAR,NONWIR:20K OHM,10%,0.50W      | 73138    | 62PT-352-0      |
| R440              | 321-0069-00        |                      |          | RES.,FXD,FILM:51.1 OHM,1%,0.125W       | 75042    | CEATO-51R10F    |
| R442              | 321-0069-00        |                      |          | RES.,FXD,FILM:51.1 OHM,1%,0.125W       | 75042    | CEATO-51R10F    |
| R451              | 316-0822-00        |                      |          | RES.,FXD,COMP:8.2K OHM,10%,0.25W       | 01121    | CB8221          |
| R453              | 311-1228-00        |                      |          | RES.,VAR,NONWIR:10K OHM,20%,0.50W      | 80294    | 3389F-P31-103   |
| R501              | 321-0069-00        |                      |          | RES.,FXD,FILM:51.1 OHM,1%,0.125W       | 75042    | CEATO-51R10F    |
| R503              | 321-0069-00        |                      |          | RES.,FXD,FILM:51.1 OHM,1%,0.125W       | 75042    | CEATO-51R10F    |
| R505              | 323-0139-00        |                      |          | RES.,FXD,FILM:274 OHM,1%,0.50W         | 75042    | CECTO-2740F     |
| R507              | 315-0562-00        |                      |          | RES.,FXD,COMP:5.6K OHM,5%,0.25W        | 01121    | CB5625          |
| R511              | 315-0242-00        | B010100              | B039999  | RES.,FXD,COMP:2.4K OHM,5%,0.25W        | 01121    | CB2425          |
| R511              | 315-0222-00        | B040000              |          | RES.,FXD,COMP:2.2K OHM,5%,0.25W        | 01121    | CB2225          |
| R513              | 315-0201-00        |                      |          | RES.,FXD,COMP:200 OHM,5%,0.25W         | 01121    | CB2015          |
| R515 <sup>1</sup> | 311-1421-01        |                      |          | RES.,VAR,NONWIR:2.5K OHM,10%,0.50W     |          |                 |
| R516              | 311-0091-00        |                      |          | RES.,VAR,NONWIR:1K OHM,10%,0.50W       | 01121    | W-3083E         |
| R519              | 315-0202-00        |                      |          | RES.,FXD,COMP:2K OHM,5%,0.25W          | 01121    | CB2025          |
| R520              | 323-0213-00        | B010100              | B069999  | RES.,FXD,FILM:1.61K OHM,1%,0.50W       | 75042    | CECTO-1611F     |
| R520              | 323-0203-00        | B070000              |          | RES.,FXD,FILM:1.27K OHM,1%,0.50W       | 75042    | CECTO-1271F     |
| R523              | 323-0213-00        | B010100              | B069999  | RES.,FXD,FILM:1.61K OHM,1%,0.50W       | 75042    | CECTO-1611F     |
| R523              | 323-0203-00        | B070000              |          | RES.,FXD,FILM:1.27K OHM,1%,0.50W       | 75042    | CECTO-1271F     |
| R531              | 311-1260-00        |                      |          | RES.,VAR,NONWIR:250 OHM,10%,0.50W      | 73138    | 62PT-345-0      |
| R534              | 315-0562-00        |                      |          | RES.,FXD,COMP:5.6K OHM,5%,0.25W        | 01121    | CB5625          |
| R537              | 315-0151-00        | B010100              | B089999X | RES.,FXD,COMP:150 OHM,5%,0.25W         | 01121    | CB1515          |
| R538              | 315-0562-00        | B010100              | B029999  | RES.,FXD,COMP:5.6K OHM,5%,0.25W        | 01121    | CB5625          |
| R538              | 315-0202-00        | B030000              | B089999X | RES.,FXD,COMP:2K OHM,5%,0.25W          | 01121    | CB2025          |
| R540              | 315-0431-00        |                      |          | RES.,FXD,COMP:430 OHM,5%,0.25W         | 01121    | CB4315          |
| R542              | 315-0511-00        |                      |          | RES.,FXD,COMP:510 OHM,5%,0.25W         | 01121    | CB5115          |
| R550              | 316-0270-00        | B010100              | B049999  | RES.,FXD,COMP:27 OHM,10%,0.25W         | 01121    | CB2701          |

<sup>1</sup>Furnished as a unit with S515.

| Ckt No.           | Tektronix Part No. | Serial/Model No. |          | Name & Description                     | Mfr   |                 |
|-------------------|--------------------|------------------|----------|--|-------|-----------------|
|                   |                    | Eff              | Dscont   |  | Code  | Mfr Part Number |
| R550              | 316-0330-00        | B050000          | B089999  | RES.,FXD,COMP:33 OHM,10%,0.25W         | 01121 | CB3301          |
| R550              | 315-0111-00        | B090000          |          | RES.,FXD,COMP:110 OHM,5%,0.25W         | 01121 | CB1115          |
| R551              | 316-0822-00        |                  |          | RES.,FXD,COMP:8.2K OHM,10%,0.25W       | 01121 | CB8221          |
| R552              | 315-0270-00        | B010100          | B049999  | RES.,FXD,COMP:27 OHM,5%,0.25W          | 01121 | CB2705          |
| R552              | 316-0330-00        | B050000          | B089999  | RES.,FXD,COMP:33 OHM,10%,0.25W         | 01121 | CB3301          |
| R552              | 315-0111-00        | B090000          |          | RES.,FXD,COMP:110 OHM,5%,0.25W         | 01121 | CB1115          |
| R553              | 311-1228-00        |                  |          | RES.,VAR,NONWIR:10K OHM,20%,0.50W      | 80294 | 3389F-P31-103   |
| R578              | 315-0152-00        |                  |          | RES.,FXD,COMP:1.5K OHM,5%,0.25W        | 01121 | CB1525          |
| R621              | 321-0223-00        |                  |          | RES.,FXD,FILM:2.05K OHM,1%,0.125W      | 75042 | CEATO-2051F     |
| R622              | 321-0299-00        |                  |          | RES.,FXD,FILM:12.7K OHM,1%,0.125W      | 75042 | CEATO-1272F     |
| R630              | 315-0154-00        |                  |          | RES.,FXD,COMP:150K OHM,5%,0.25W        | 01121 | CB1545          |
| R631              | 315-0753-00        |                  |          | RES.,FXD,COMP:75K OHM,5%,0.25W         | 01121 | CB7535          |
| R633              | 315-0753-00        |                  |          | RES.,FXD,COMP:75K OHM,5%,0.25W         | 01121 | CB7535          |
| R634              | 315-0154-00        |                  |          | RES.,FXD,COMP:150K OHM,5%,0.25W        | 01121 | CB1545          |
| R635              | 321-0344-00        |                  |          | RES.,FXD,FILM:37.4K OHM,1%,0.125W      | 75042 | CEATO-3742F     |
| R638              | 315-0154-00        |                  |          | RES.,FXD,COMP:150K OHM,5%,0.25W        | 01121 | CB1545          |
| R639              | 315-0753-00        |                  |          | RES.,FXD,COMP:75K OHM,5%,0.25W         | 01121 | CB7535          |
| R640              | 315-0753-00        |                  |          | RES.,FXD,COMP:75K OHM,5%,0.25W         | 01121 | CB7535          |
| R642              | 315-0513-00        |                  |          | RES.,FXD,COMP:51K OHM,5%,0.25W         | 01121 | CB5135          |
| R643              | 321-0344-00        |                  |          | RES.,FXD,FILM:37.4K OHM,1%,0.125W      | 75042 | CEATO-3742F     |
| R645              | 315-0154-00        |                  |          | RES.,FXD,COMP:150K OHM,5%,0.25W        | 01121 | CB1545          |
| R646              | 315-0154-00        |                  |          | RES.,FXD,COMP:150K OHM,5%,0.25W        | 01121 | CB1545          |
| R647              | 315-0133-00        |                  |          | RES.,FXD,COMP:13K OHM,5%,0.25W         | 01121 | CB1335          |
| R648              | 315-0154-00        |                  |          | RES.,FXD,COMP:150K OHM,5%,0.25W        | 01121 | CB1545          |
| R701              | 321-0069-00        |                  |          | RES.,FXD,FILM:51.1 OHM,1%,0.125W       | 75042 | CEATO-51R10F    |
| R703              | 321-0069-00        |                  |          | RES.,FXD,FILM:51.1 OHM,1%,0.125W       | 75042 | CEATO-51R10F    |
| R705              | 321-0093-00        | B010100          | B069999  | RES.,FXD,FILM:90.9 OHM,1%,0.125W       | 75042 | CEATO-90R90F    |
| R705              | 321-0088-00        | B070000          |          | RES.,FXD,FILM:80.6 OHM,1%,0.125W       | 75042 | CEATO-80R60F    |
| R710              | 315-0151-00        |                  |          | RES.,FXD,COMP:150 OHM,5%,0.25W         | 01121 | CB1515          |
| R712              | 315-0151-00        |                  |          | RES.,FXD,COMP:150 OHM,5%,0.25W         | 01121 | CB1515          |
| R714              | 315-0301-00        |                  |          | RES.,FXD,COMP:300 OHM,5%,0.25W         | 01121 | CB3015          |
| R716              | 315-0301-00        |                  |          | RES.,FXD,COMP:300 OHM,5%,0.25W         | 01121 | CB3015          |
| R718              | 316-0333-00        |                  |          | RES.,FXD,COMP:33K OHM,10%,0.25W        | 01121 | CB3331          |
| R720              | 316-0472-00        |                  |          | RES.,FXD,COMP:4.7K OHM,10%,0.25W       | 01121 | CB4721          |
| R721              | 315-0152-00        |                  |          | RES.,FXD,COMP:1.5K OHM,5%,0.25W        | 01121 | CB1525          |
| R730              | 315-0103-00        | B010100          | B049999  | RES.,FXD,COMP:10K OHM,5%,0.25W         | 01121 | CB1035          |
| R730              | 315-0153-00        | B050000          |          | RES.,FXD,COMP:15K OHM,5%,0.25W         | 01121 | CB1535          |
| R732              | 315-0103-00        | B010100          | B049999  | RES.,FXD,COMP:10K OHM,5%,0.25W         | 01121 | CB1035          |
| R732              | 315-0153-00        | B050000          |          | RES.,FXD,COMP:15K OHM,5%,0.25W         | 01121 | CB1535          |
| R734              | 315-0431-00        | B010100          | B049999  | RES.,FXD,COMP:430 OHM,5%,0.25W         | 01121 | CB4315          |
| R734              | 315-0132-00        | B050000          |          | RES.,FXD,COMP:1.3K OHM,5%,0.25W        | 01121 | CB1325          |
| R736 <sup>1</sup> | 311-1320-00        |                  |          | RES.,VAR,NONWIR:5K OHM,10%,1W          |       |                 |
| R740              | 316-0330-00        | XB040000         | B062453  | RES.,FXD,COMP:33 OHM,10%,0.25W         | 01121 | CB3301          |
| R740              | 315-0562-00        | B062454          | B089999  | RES.,FXD,COMP:5.6K OHM,5%,0.25W        | 01121 | CB5625          |
| R740              | 315-0182-00        | B090000          |          | RES.,FXD,COMP:1.8K OHM,(NOM VALUE),SEL | 01121 | CB1825          |
| R742              | 316-0330-00        | XB040000         | B089999  | RES.,FXD,COMP:33 OHM,10%,0.25W         | 01121 | CB3301          |
| R742              | 315-0182-00        | B090000          |          | RES.,FXD,COMP:1.8K OHM,(NOM VALUE),SEL | 01121 | CB1825          |
| R750              | 308-0552-00        |                  |          | RES.,FXD,WW:750 OHM,1%,3W              |       |                 |
| R752              | 308-0552-00        |                  |          | RES.,FXD,WW:750 OHM,1%,3W              |       |                 |
| R754              | 315-0392-00        | B010100          | B029999  | RES.,FXD,COMP:3.9K OHM,5%,0.25W        | 01121 | CB3925          |
| R754              | 315-0562-00        | B030000          | B062453  | RES.,FXD,COMP:5.6K OHM,5%,0.25W        | 01121 | CB5625          |
| R754              | 316-0330-00        | B062454          | B089999X | RES.,FXD,COMP:33 OHM,10%,0.25W         | 01121 | CB3301          |
| R756              | 311-1259-00        |                  |          | RES.,VAR,NONWIR:100 OHM,10%,0.50W      | 80294 | 3329P-L58-101   |
| R757              | 315-0751-00        | B010100          | B029999  | RES.,FXD,COMP:750 OHM,5%,0.25W         | 01121 | CB7515          |
| R757              | 321-0181-00        | B030000          |          | RES.,FXD,FILM:750 OHM,1%,0.125W        | 75042 | CEATO-7500F     |

<sup>1</sup>Furnished as a unit with S736.



# Electrical Parts List—7A16A

| Ckt No.            | Tektronix Part No. | Serial/Model No. Eff | Dscont   | Name & Description                | Mfr Code | Mfr Part Number |
|--------------------|--------------------|----------------------|----------|-----------------------------------|----------|-----------------|
| R758               | 315-0751-00        | B010100              | B029999  | RES.,FXD,COMP:750 OHM,5%,0.25W    | 01121    | CB7515          |
| R758               | 321-0181-00        | B030000              |          | RES.,FXD,FILM:750 OHM,1%,0.125W   | 75042    | CEAT0-7500F     |
| R760               | 315-0122-00        |                      |          | RES.,FXD,COMP:1.2K OHM,5%,0.25W   | 01121    | CB1225          |
| R770               | 311-0622-00        | B010100              | B049999X | RES.,VAR,NONWIR:100 OHM,10%,0.50W | 80740    | 62-53-5         |
| R802               | 315-0560-00        |                      |          | RES.,FXD,COMP:56 OHM,5%,0.25W     | 01121    | CB5605          |
| R804               | 315-0560-00        |                      |          | RES.,FXD,COMP:56 OHM,5%,0.25W     | 01121    | CB5605          |
| R806               | 308-0406-00        |                      |          | RES.,FXD,WW:1.2K OHM,1%,3W        |          |                 |
| R808               | 308-0406-00        |                      |          | RES.,FXD,WW:1.2K OHM,1%,3W        |          |                 |
| R820               | 315-0431-00        |                      |          | RES.,FXD,COMP:430 OHM,5%,0.25W    | 01121    | CB4315          |
| R822               | 321-0230-00        |                      |          | RES.,FXD,FILM:2.43K OHM,1%,0.125W | 75042    | CEAT0-2431F     |
| R824               | 321-0097-00        |                      |          | RES.,FXD,FILM:100 OHM,1%,0.125W   | 75042    | CEAT0-1000F     |
| R828               | 316-0271-00        |                      |          | RES.,FXD,COMP:270 OHM,10%,0.25W   | 01121    | CB2711          |
| R829               | 321-0148-00        |                      |          | RES.,FXD,FILM:340 OHM,1%,0.125W   | 75042    | CEAT0-3400F     |
| R830               | 316-0271-00        |                      |          | RES.,FXD,COMP:270 OHM,10%,0.25W   | 01121    | CB2711          |
| R832               | 321-0230-00        |                      |          | RES.,FXD,FILM:2.43K OHM,1%,0.125W | 75042    | CEAT0-2431F     |
| R834               | 321-0097-00        |                      |          | RES.,FXD,FILM:100 OHM,1%,0.125W   | 75042    | CEAT0-1000F     |
| R840               | 315-0431-00        |                      |          | RES.,FXD,COMP:430 OHM,5%,0.25W    | 01121    | CB4315          |
| R846               | 315-0111-00        |                      |          | RES.,FXD,COMP:110 OHM,5%,0.25W    | 01121    | CB1115          |
| R860               | 316-0470-00        |                      |          | RES.,FXD,COMP:47 OHM,10%,0.25W    | 01121    | CB4701          |
| R880               | 316-0470-00        |                      |          | RES.,FXD,COMP:47 OHM,10%,0.25W    | 01121    | CB4701          |
| R890               | 323-0193-00        |                      |          | RES.,FXD,FILM:1K OHM,1%,0.5W      | 75042    | CECT0-1001F     |
| R892               | 323-0193-00        |                      |          | RES.,FXD,FILM:1K OHM,1%,0.5W      | 75042    | CECT0-1001F     |
| R902               | 315-0560-00        |                      |          | RES.,FXD,COMP:56 OHM,5%,0.25W     | 01121    | CB5605          |
| R904               | 315-0560-00        |                      |          | RES.,FXD,COMP:56 OHM,5%,0.25W     | 01121    | CB5605          |
| R906               | 308-0304-00        |                      |          | RES.,FXD,WW:1.5K OHM,1%,3W        |          |                 |
| R908               | 308-0304-00        |                      |          | RES.,FXD,WW:1.5K OHM,1%,3W        |          |                 |
| R920               | 315-0431-00        |                      |          | RES.,FXD,COMP:430 OHM,5%,0.25W    | 01121    | CB4315          |
| R928               | 316-0271-00        |                      |          | RES.,FXD,COMP:270 OHM,10%,0.25W   | 01121    | CB2711          |
| R930               | 316-0271-00        |                      |          | RES.,FXD,COMP:270 OHM,10%,0.25W   | 01121    | CB2711          |
| R940               | 315-0431-00        |                      |          | RES.,FXD,COMP:430 OHM,5%,0.25W    | 01121    | CB4315          |
| R946               | 315-0111-00        |                      |          | RES.,FXD,COMP:110 OHM,5%,0.25W    | 01121    | CB1115          |
| R960               | 316-0470-00        |                      |          | RES.,FXD,COMP:47 OHM,10%,0.25W    | 01121    | CB4701          |
| R980               | 316-0470-00        |                      |          | RES.,FXD,COMP:47 OHM,10%,0.25W    | 01121    | CB4701          |
| R990               | 323-0212-00        |                      |          | RES.,FXD,FILM:1.58 OHM,1%,0.50W   | 75042    | CECT0-1581F     |
| R992               | 323-0212-00        |                      |          | RES.,FXD,FILM:1.58 OHM,1%,0.50W   | 75042    | CECT0-1581F     |
| RL010              | 316-0470-00        |                      |          | RES.,FXD,COMP:47 OHM,10%,0.25W    | 01121    | CB4701          |
| RL012              | 316-0470-00        |                      |          | RES.,FXD,COMP:47 OHM,10%,0.25W    | 01121    | CB4701          |
| RT334              | 307-0127-00        |                      |          | RES.,THERMAL:1K OHM,1%            | 50157    | 2D1596          |
| RT539              | 307-0125-00        |                      |          | RES.,THERMAL:500 OHM,10%,25 DEG C | 50157    | 2D1595          |
| S22A,B             | 260-0816-00        |                      |          | SWITCH,SLIDE:DPDT,0.5A,125VAC     | 79727    | GF-126-0012A    |
| S32                | 260-0816-00        |                      |          | SWITCH,SLIDE:DPDT,0.5A,125VAC     | 79727    | GF-126-0012A    |
| S100A <sup>1</sup> |                    |                      |          | AC/GND/DC                         |          |                 |
| S100B <sup>1</sup> |                    |                      |          | VOLTS/DIV                         |          |                 |
| S515 <sup>2</sup>  |                    |                      |          | VARIABLE                          |          |                 |
| S736 <sup>3</sup>  |                    |                      |          | INDENTIFY                         |          |                 |
| T13                | 120-0304-00        |                      |          | XFMR,TOROID:3 TURNS SINGLE        | 80009    | 120-0304-00     |
| T301               | 120-0286-00        |                      |          | XFMR,TOROID:2 TURNS,BIFILAR       | 80009    | 120-0286-00     |
| U350 <sup>4</sup>  | 155-0078-05        | B010100              | B029999  | MICROCIRCUIT,LI:ML,VERT AMPL,SEL  | 80009    | 155-0078-05     |
| U350               | 155-0078-01        | B030000              |          | MICROCIRCUIT,LI:ML,VERT AMPL,SEL  | 80009    | 155-0078-01     |
| U450               | 155-0078-07        | B010100              | B029999  | MICROCIRCUIT,LI:ML,VERT AMPL,SEL  | 80009    | 155-0078-07     |
| U450 <sup>5</sup>  | 155-0078-03        | B030000              |          | MICROCIRCUIT,LI:ML,VERT AMPL,SEL  | 80009    | 155-0078-03     |
| U550               | 155-0078-07        | B010100              | B029999  | MICROCIRCUIT,LI:ML,VERT AMPL,SEL  | 80009    | 155-0078-07     |
| U550 <sup>5</sup>  | 155-0078-03        | B030000              |          | MICROCIRCUIT,LI:ML,VERT AMPL,SEL  | 80009    | 155-0078-03     |
| U750               | 155-0078-07        | B010100              | B029999  | MICROCIRCUIT,LI:ML,VERT AMPL,SEL  | 80009    | 155-0078-07     |
| U750 <sup>5</sup>  | 155-0078-03        | B030000              |          | MICROCIRCUIT,LI:ML,VERT AMPL,SEL  | 80009    | 155-0078-03     |

<sup>1</sup>See Mechanical Parts List for replacement parts.

<sup>2</sup>Furnished as a unit with R515.

<sup>3</sup>Furnished as a unit with R736.

<sup>4</sup>155-0078-01, -03, -04, -05 or -07 may be used.

<sup>5</sup>155-0078-00, -03, -04 or -07 may be used.

# SECTION 7

## DIAGRAMS AND CIRCUIT BOARD ILLUSTRATIONS

### Symbols and Reference Designators

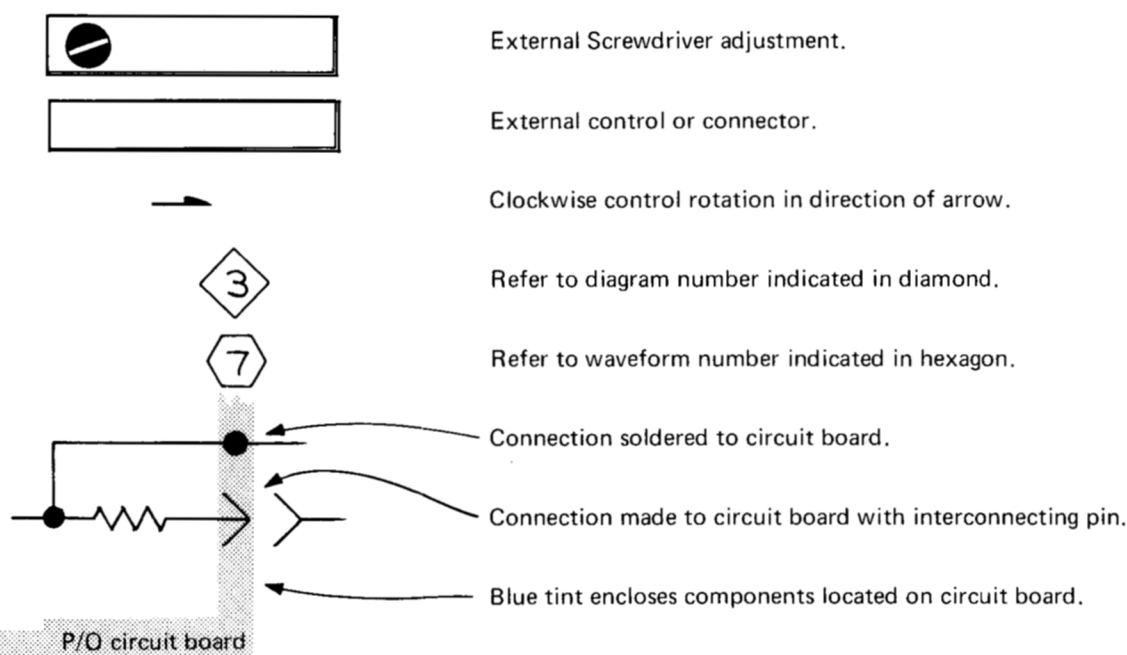
Electrical components shown on the diagrams are in the following units unless noted otherwise:

|              |  |
|--------------|--|
| Capacitors = | Values one or greater are in picofarads (pF).<br>Values less than one are in microfarads ( $\mu$ F). |
| Resistors =  | Ohms ( $\Omega$ )  |

Symbols used on the diagrams are based on USA Standard Y32.2-1967.

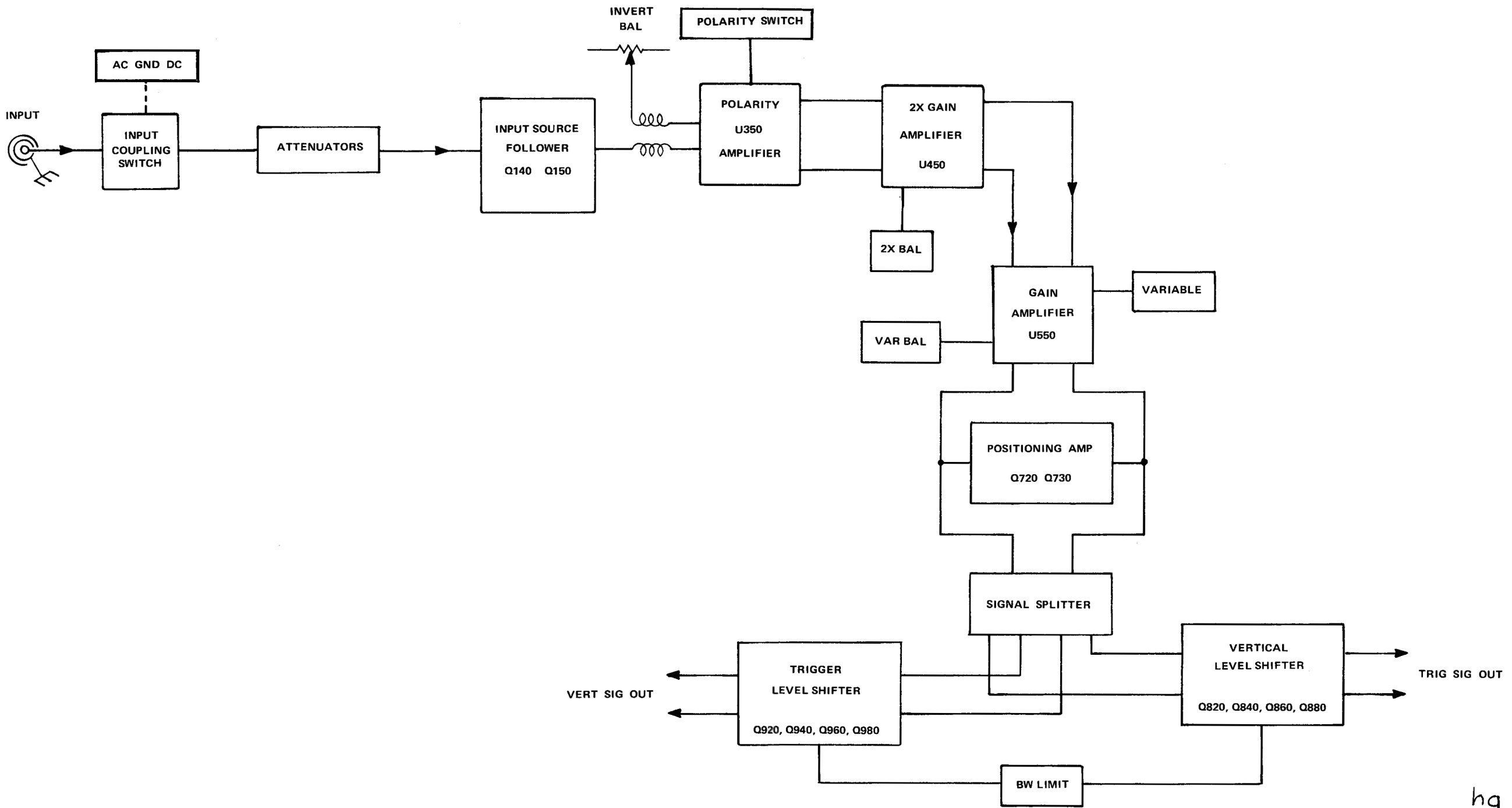
Logic symbology is based on MIL-STD-806B in terms of positive logic. Logic symbols depict the logic function performed and may differ from the manufacturer's data.

The following special symbols are used on the diagrams:



The following prefix letters are used as reference designators to identify components or assemblies on the diagrams.

|    |  |    |  |
|----|--|----|--|
| A  | Assembly, separable or repairable (circuit board, etc.)  | LR | Inductor/resistor combination                                      |
| AT | Attenuator, fixed or variable                            | M  | Meter  |
| B  | Motor  | Q  | Transistor or silicon-controlled rectifier                         |
| BT | Battery  | P  | Connector, movable portion   |
| C  | Capacitor, fixed or variable                             | R  | Resistor, fixed or variable  |
| CR | Diode, signal or rectifier                               | RT | Thermistor   |
| DL | Delay line   | S  | Switch   |
| DS | Indicating device (lamp)                                 | T  | Transformer  |
| F  | Fuse   | TP | Test point   |
| FL | Filter   | U  | Assembly, inseparable or non-repairable (integrated circuit, etc.) |
| H  | Heat dissipating device (heat sink, heat radiator, etc.) | V  | Electron tube  |
| HR | Heater   | VR | Voltage regulator (zener diode, etc.)                              |
| J  | Connector, stationary portion                            | Y  | Crystal  |
| K  | Relay  |    |  |
| L  | Inductor, fixed or variable                              |    |  |



7A16A

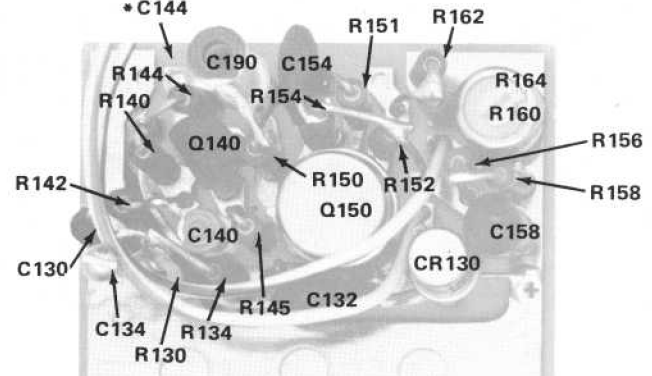
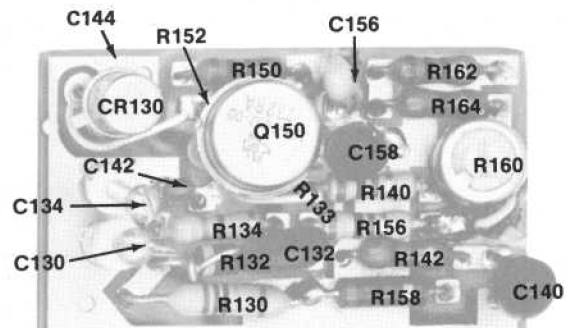
@

BLOCK DIAGRAM

hq  
375



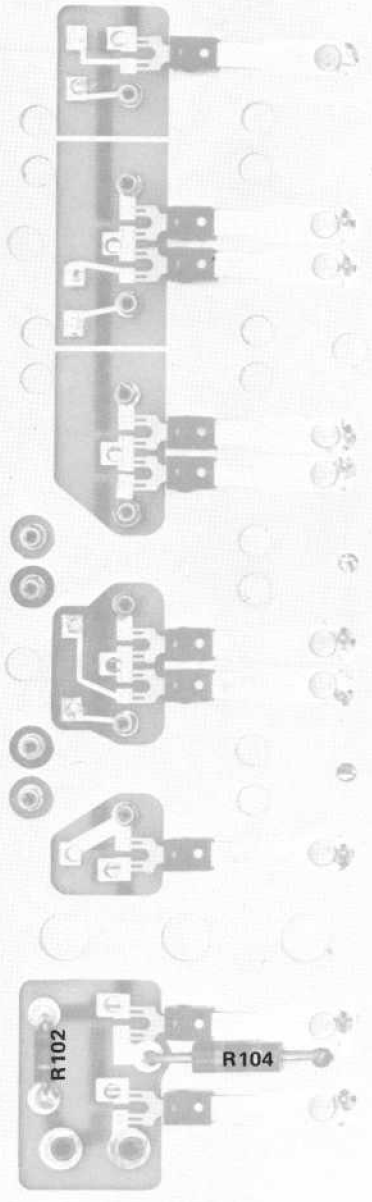
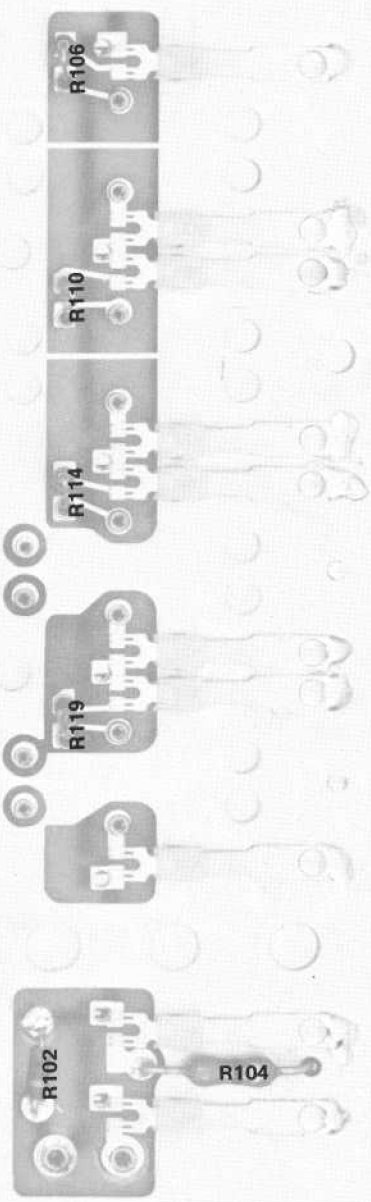




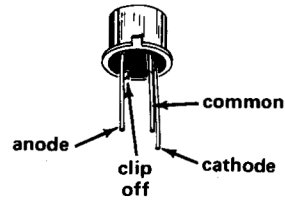
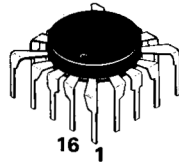
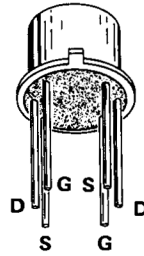
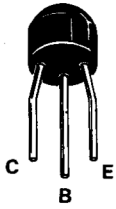
\*See Parts List for serial number ranges.

R118 } Located on other side of board  
R115 }

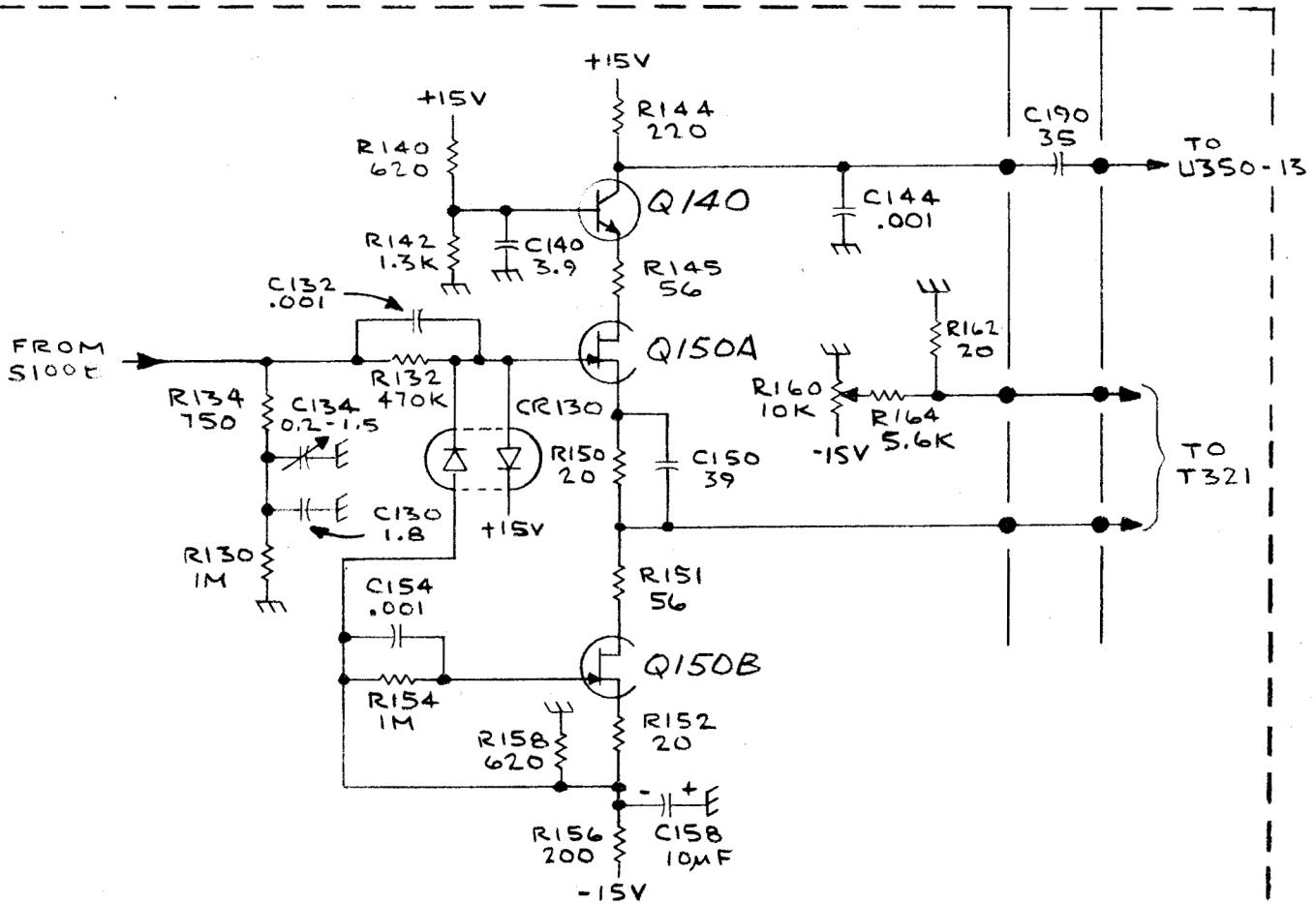
Copyright © 1972, TEKTRONIX, INC. All Rights Reserved



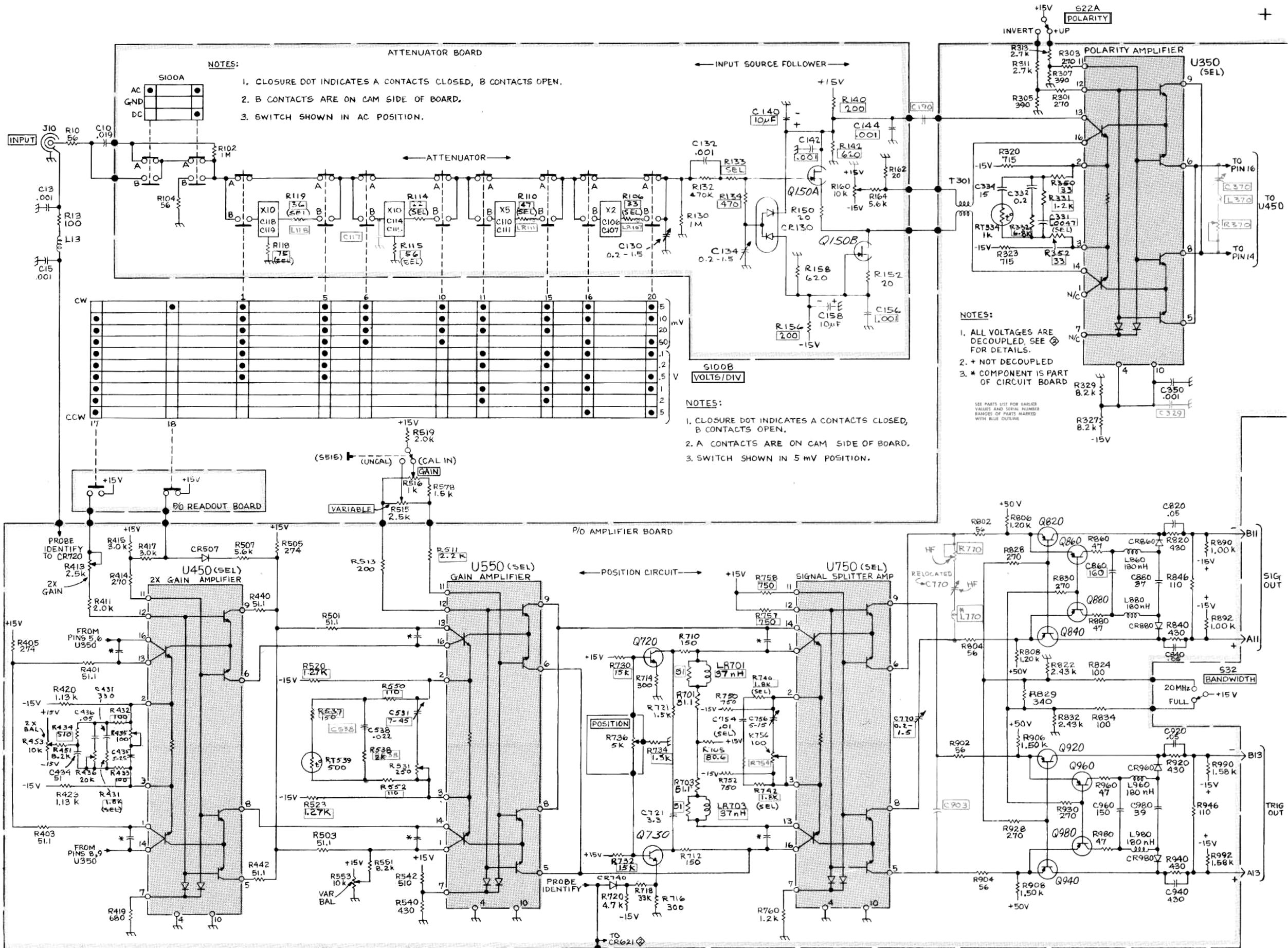
REV. C, SEPT 1974



REV. C, SEPT 1974



EFF. - BELOW SNB080000



**NOTES:**

1. CLOSURE DOT INDICATES A CONTACTS CLOSED, B CONTACTS OPEN.

2. B CONTACTS ARE ON CAM SIDE OF BOARD.

3. SWITCH SHOWN IN AC POSITION.

**NOTES:**

1. ALL VOLTAGES ARE DECOUPLED, SEE FOR DETAILS.

2. + NOT DECOUPLED

3. \* COMPONENT IS PART OF CIRCUIT BOARD

**NOTES:**

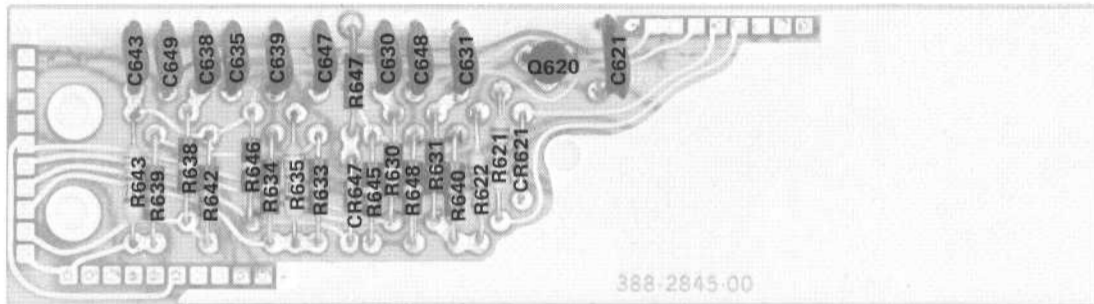
1. CLOSURE DOT INDICATES A CONTACTS CLOSED, B CONTACTS OPEN.

2. A CONTACTS ARE ON CAM SIDE OF BOARD.

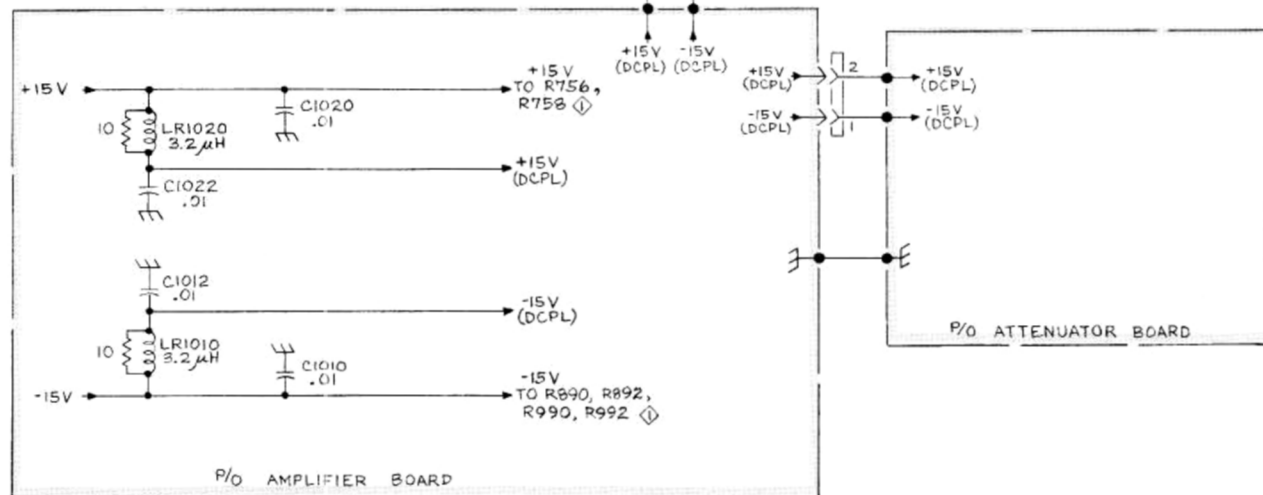
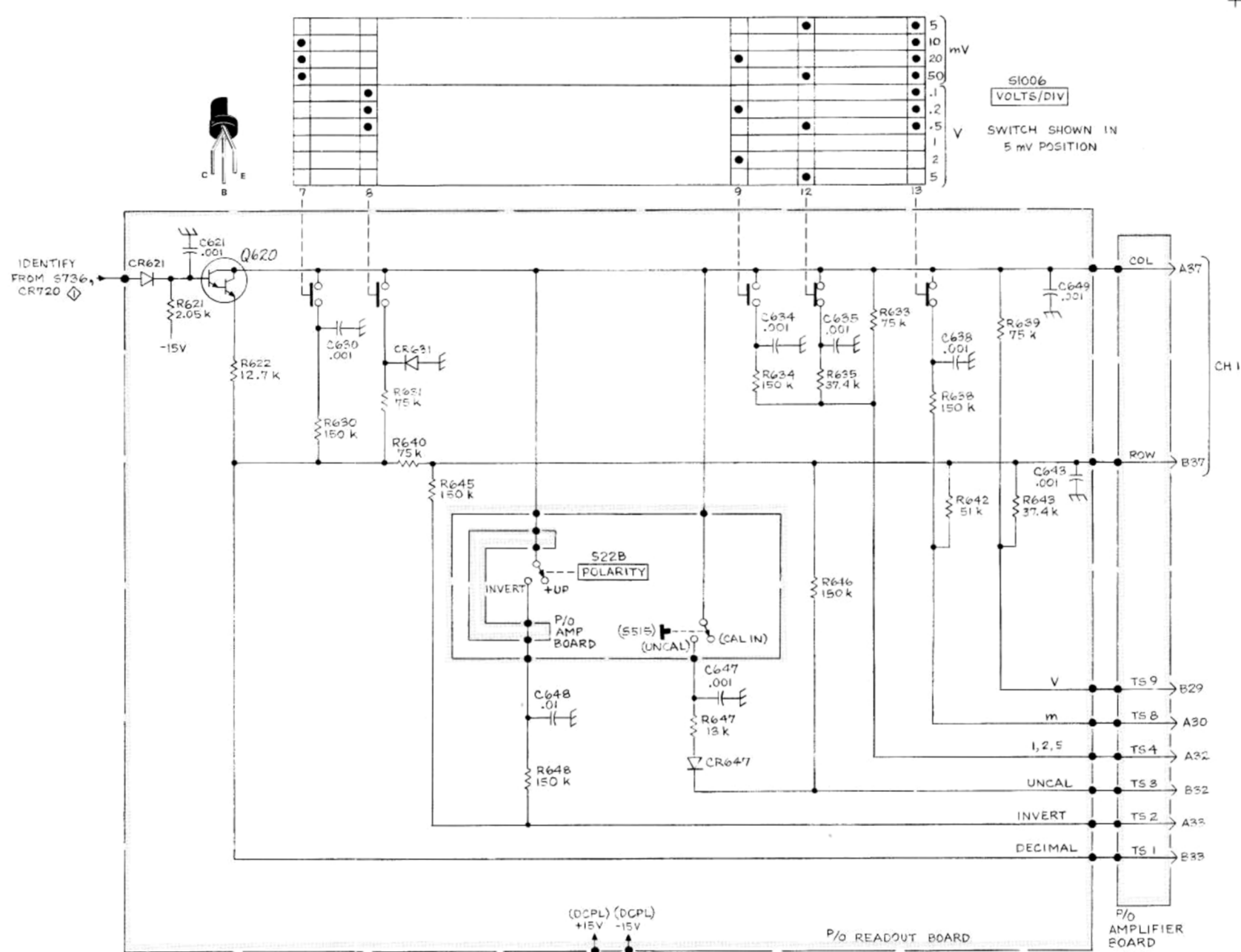
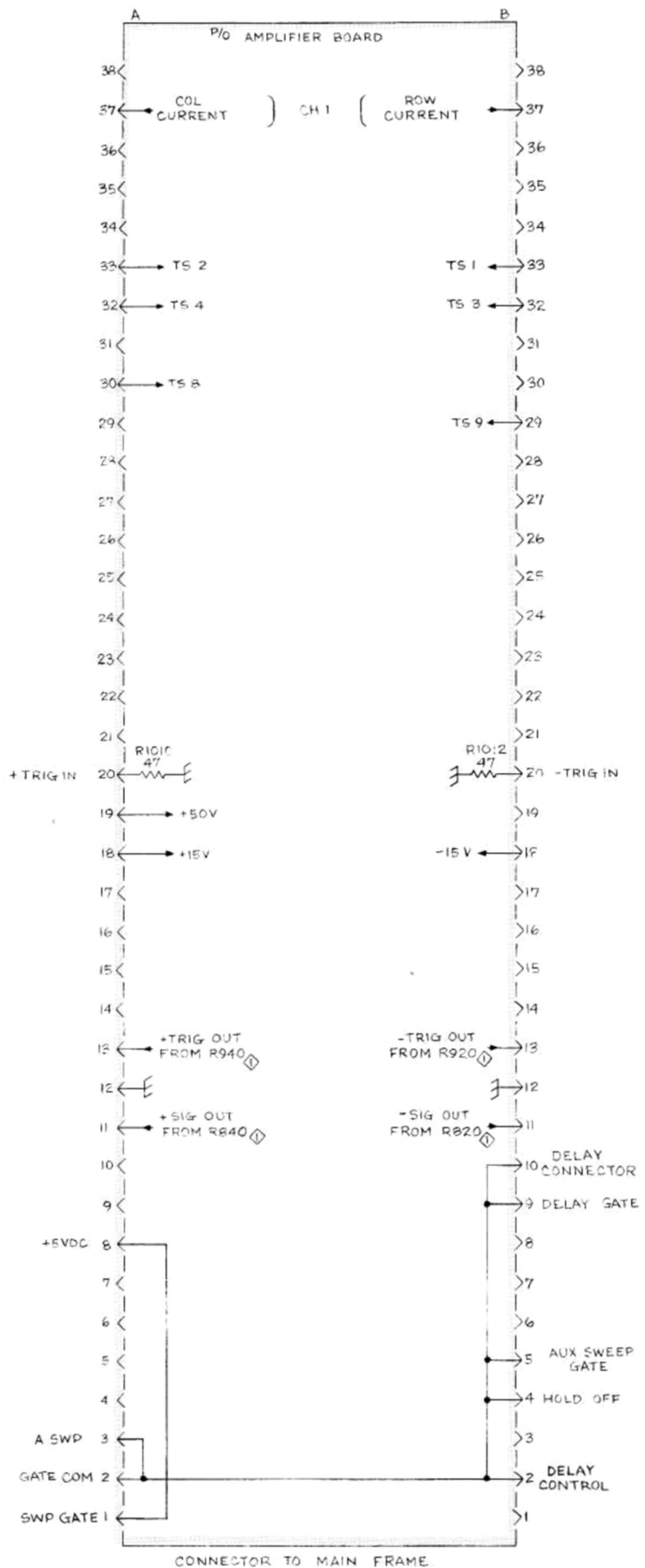
3. SWITCH SHOWN IN 5 mV POSITION.



7A16A



7A16A Readout Board.



# REPLACEABLE MECHANICAL PARTS

## PARTS ORDERING INFORMATION

Replacement parts are available from or through your local Tektronix, Inc. Field Office or representative.

Changes to Tektronix instruments are sometimes made to accommodate improved components as they become available, and to give you the benefit of the latest circuit improvements developed in our engineering department. It is therefore important, when ordering parts, to include the following information in your order: Part number, instrument type or number, serial number, and modification number if applicable.

If a part you have ordered has been replaced with a new or improved part, your local Tektronix, Inc. Field Office or representative will contact you concerning any change in part number.

Change information, if any, is located at the rear of this manual.

## SPECIAL NOTES AND SYMBOLS

X000 Part first added at this serial number  
00X Part removed after this serial number

## FIGURE AND INDEX NUMBERS

Items in this section are referenced by figure and index numbers to the illustrations.

## INDENTATION SYSTEM

This mechanical parts list is indented to indicate item relationships. Following is an example of the indentation system used in the description column.

```

1 2 3 4 5           Name & Description
Assembly and/or Component
Attaching parts for Assembly and/or Component
    --- * ---
Detail Part of Assembly and/or Component
Attaching parts for Detail Part
    --- * ---
Parts of Detail Part
Attaching parts for Parts of Detail Part
    --- * ---

```

Attaching Parts always appear in the same indentation as the item it mounts, while the detail parts are indented to the right. Indented items are part of, and included with, the next higher indentation. The separation symbol --- \* --- indicates the end of attaching parts.

**Attaching parts must be purchased separately, unless otherwise specified.**

## ITEM NAME

In the Parts List, an Item Name is separated from the description by a colon (:). Because of space limitations, an Item Name may sometimes appear as incomplete. For further Item Name identification, the U.S. Federal Cataloging Handbook H6-1 can be utilized where possible.

## ABBREVIATIONS

|       |                    |         |                       |          |                      |         |                 |
|-------|--------------------|---------|-----------------------|----------|----------------------|---------|-----------------|
| "     | INCH               | ELCTRN  | ELECTRON              | IN       | INCH                 | SE      | SINGLE END      |
| #     | NUMBER SIZE        | ELEC    | ELECTRICAL            | INCAND   | INCANDESCENT         | SECT    | SECTION         |
| ACTR  | ACTUATOR           | ELCTLT  | ELECTROLYTIC          | INSUL    | INSULATOR            | SEMICON | SEMICONDUCTOR   |
| ADPTR | ADAPTER            | ELEM    | ELEMENT               | INTL     | INTERNAL             | SHLD    | SHIELD          |
| ALIGN | ALIGNMENT          | EPL     | ELECTRICAL PARTS LIST | LPHLDR   | LAMPHOLDER           | SHLDR   | SHOULDERED      |
| AL    | ALUMINUM           | EQPT    | EQUIPMENT             | MACH     | MACHINE              | SKT     | SOCKET          |
| ASSEM | ASSEMBLED          | EXT     | EXTERNAL              | MECH     | MECHANICAL           | SL      | SLIDE           |
| ASSY  | ASSEMBLY           | FIL     | FILLISTER HEAD        | MTG      | MOUNTING             | SLFLKG  | SELF-LOCKING    |
| ATTEN | ATTENUATOR         | FLEX    | FLEXIBLE              | NIP      | NIPPLE               | SLVG    | SLEEVING        |
| AWG   | AMERICAN WIRE GAGE | FLH     | FLAT HEAD             | NON WIRE | NOT WIRE WOUND       | SPR     | SPRING          |
| BD    | BOARD              | FLTR    | FILTER                | OBD      | ORDER BY DESCRIPTION | SQ      | SQUARE          |
| BRKT  | BRACKET            | FR      | FRAME or FRONT        | OD       | OUTSIDE DIAMETER     | SST     | STAINLESS STEEL |
| BRS   | BRASS              | FSTNR   | FASTENER              | OVH      | OVAL HEAD            | STL     | STEEL           |
| BRZ   | BRONZE             | FT      | FOOT                  | PH BRZ   | PHOSPHOR BRONZE      | SW      | SWITCH          |
| BSHG  | BUSHING            | FXD     | FIXED                 | PL       | PLAIN or PLATE       | T       | TUBE            |
| CAB   | CABINET            | GSKT    | GASKET                | PLSTC    | PLASTIC              | TERM    | TERMINAL        |
| CAP   | CAPACITOR          | HDL     | HANDLE                | PN       | PART NUMBER          | THD     | THREAD          |
| CER   | CERAMIC            | HEX     | HEXAGON               | PNH      | PAN HEAD             | THK     | THICK           |
| CHAS  | CHASSIS            | HEX HD  | HEXAGONAL HEAD        | PWR      | POWER                | TNSN    | TENSION         |
| CKT   | CIRCUIT            | HEX SOC | HEXAGONAL SOCKET      | RCPT     | RECEPTACLE           | TPG     | TAPPING         |
| COMP  | COMPOSITION        | HLCPS   | HELICAL COMPRESSION   | RES      | RESISTOR             | TRH     | TRUSS HEAD      |
| CONN  | CONNECTOR          | HLEXT   | HELICAL EXTENSION     | RGD      | RIGID                | V       | VOLTAGE         |
| COV   | COVER              | HV      | HIGH VOLTAGE          | RLF      | RELIEF               | VAR     | VARIABLE        |
| CPLG  | COUPLING           | IC      | INTEGRATED CIRCUIT    | RTNR     | RETAINER             | W/      | WITH            |
| CRT   | CATHODE RAY TUBE   | ID      | INSIDE DIAMETER       | SCH      | SOCKET HEAD          | WSHR    | WASHER          |
| DEG   | DEGREE             | IDENT   | IDENTIFICATION        | SCOPE    | OSCILLOSCOPE         | XFMR    | TRANSFORMER     |
| DWR   | DRAWER             | IMPLR   | IMPELLER              | SCR      | SCREW                | XSTR    | TRANSISTOR      |

CROSS INDEX MFR. CODE NUMBER TO MANUFACTURER

| MFR.CODE | MANUFACTURER  | ADDRESS                 | CITY,STATE,ZIP           |
|----------|---|-------------------------|--------------------------|
| 0000C    | Gettig Engineering and Manufacturing Co.                |                         | Springmill, PA 16875     |
| 00779    | AMP, Inc.   | P. O. Box 3608          | Harrisburg, PA 17105     |
| 08261    | Spectra-Strip Corp.                                     | 7100 Lampson Ave.       | Garden Grove, CA 92642   |
| 12360    | Albany Products Co., Div. of Pneumo Dynamics Corp.      | 351 Connecticut Ave.    | South Norwalk, CT 06856  |
| 13257    | Amerace Ltd.  | 10 Esna Park Dr.        | Markham, Ontario, Canada |
| 22526    | Berg Electronics, Inc.                                  | Youk Expressway         | New Cumberland, PA 17070 |
| 23499    | Gavitt Wire and Cable, Division of RSC Industries, Inc. | 455 N. Quince St.       | Escondido, CA 92025      |
| 24931    | Specialty Connector Co., Inc.                           | 3560 Madison Ave.       | Indianapolis, IN 46227   |
| 42838    | National Rivet and Mfg. Co.                             | 1-21 East Jefferson St. | Waupun, WI 53963         |
| 70276    | Allen Mfg. Co.  | P. O. Drawer 570        | Hartford, CT 06101       |
| 70278    | Allied Steel and Conveyors, Div. of Sparton Corp.       | 17333 Healy             | Detroit, MI 48212        |
| 73743    | Fischer Special Mfg. Co.                                | 446 Morgan St.          | Cincinnati, OH 45206     |
| 74445    | Holo-Krome Co.  | 31 Brook St. West       | Hartford, CT 06110       |
| 78189    | Illinois Tool Works, Inc. Shakeproof Division           | St. Charles Road        | Elgin, IL 60120          |
| 79727    | C-W Industries  | 550 Davisville Rd.      | Warminster, PA 18974     |
| 80009    | Tektronix, Inc.   | P. O. Box 500           | Beaverton, OR 97077      |
| 83385    | Central Screw Co.                                       | 2530 Crescent Dr.       | Broadview, IL 60153      |
| 87308    | N. L. Industries, Inc., Southern Screw Div.             | P. O. Box 1360          | Statesville, NC 28677    |
| 97464    | Industrial Retaining Ring Co.                           | 57 Cordier St.          | Irvington, NJ 07111      |

FIGURE 1 EXPLODED

| Fig. &<br>Index<br>No. | Tektronix<br>Part No. | Serial/Model No.<br>Eff | No.<br>Dscont | Qty | 1 2 3 4 5 | Name & Description                         | Mfr<br>Code | Mfr Part Number  |
|------------------------|-----------------------|-------------------------|---------------|-----|-----------|--|-------------|------------------|
| 1-1                    | 366-1059-00           |                         |               | 1   |           | PUSH BUTTON:GRAY                           | 80009       | 366-1059-00      |
| -2                     | 366-1077-00           |                         |               | 1   |           | KNOB:GRAY                                  | 80009       | 366-1077-00      |
|                        | 213-0153-00           |                         |               | 1   |           | . SETSCREW:5-40 X 0.125 INCH,HEX SOC STL   | 74445       | OBD              |
| -3                     | 366-1166-00           |                         |               | 1   |           | KNOB:RED                                   | 80009       | 366-1166-00      |
|                        | 213-0153-00           |                         |               | 1   |           | . SETSCREW:5-40 X 0.125 INCH,HEX SOC STL   | 74445       | OBD              |
| -4                     | 366-1299-00           |                         |               | 1   |           | KNOB:GRAY                                  | 80009       | 366-1299-00      |
|                        | 213-0153-00           |                         |               | 1   |           | . SETSCREW:5-40 X 0.125 INCH,HEX SOC STL   | 74445       | OBD              |
| -5                     | 366-0215-02           |                         |               | 1   |           | KNOB:LEVER SWITCH                          | 80009       | 366-0215-02      |
| -6                     | 366-1058-42           |                         |               | 1   |           | KNOB,LATCH:                                | 80009       | 366-1058-42      |
|                        |                       |                         |               |     |           | (ATTACHING PARTS)                          |             |                  |
| -7                     | 214-1095-00           |                         |               | 1   |           | PIN,SPG,SPLIT:0.094 OD X 0.187 INCH LONG   | 13257       | 52-022-094-0187  |
|                        |                       |                         |               |     |           | - - - * - - -                              |             |                  |
| -8                     | 105-0076-00           |                         |               | 1   |           | REL BAR,LATCH:PLUG-IN UNIT                 | 80009       | 105-0076-00      |
| -9                     | 214-1280-00           |                         |               | 1   |           | SPRING,HLCPS:0.14 OD X 1.126"L,0.16"DIA W  | 80009       | 214-1280-00      |
| -10                    | 348-0235-00           |                         |               | 2   |           | SHLD GSKT,ELEC:4.734 INCH LONG             | 80009       | 348-0235-00      |
| -11                    | 358-0378-00           |                         |               | 1   |           | BUSHING,SLEEVE:PRESS MOUNT                 | 80009       | 358-0378-00      |
| -12                    | 333-1591-00           |                         |               | 1   |           | PANEL,FRONT:                               | 80009       | 333-1591-00      |
| -13                    | 131-0679-00           | B010100                 | B079999       | 1   |           | CONNECTOR,RCPT,:BNC W/HARDWARE             | 24931       | 28JR168-1        |
|                        | 131-0679-02           | B080000                 |               | 1   |           | CONNECTOR,RCPT,:BNC W/HARDWARE             | 24931       | 28JR270-1        |
|                        |                       |                         |               |     |           | (ATTACHING PARTS)                          |             |                  |
|                        | 210-1039-00           | XB080000                |               | 1   |           | WASHER,LOCK:INTL,0.521 ID X 0.625 OD,STL   |             |                  |
|                        | 220-0497-00           | XB080000                |               | 1   |           | NUT,PLAIN,HEX:0.500-28 X 0.562 INCH,BRS    |             |                  |
| -14                    | -----                 |                         |               | 1   |           | RESISTOR,VAR:(SEE R736/S736 EPL)           |             |                  |
|                        |                       |                         |               |     |           | (ATTACHING PARTS)                          |             |                  |
| -15                    | 210-0583-00           |                         |               | 1   |           | NUT,PLAIN,HEX.:0.25-32 X 0.312 INCH,BRS    | 73743       | 2X20319-402      |
| -16                    | 210-0046-00           |                         |               | 1   |           | WASHER,LOCK:INTL,0.26 ID X 0.40" OD,STL    | 78189       | 1214-05-00-0541C |
|                        |                       |                         |               |     |           | - - - * - - -                              |             |                  |
| -17                    | 260-0816-00           |                         |               | 2   |           | SWITCH,SLIDE:DPDT,0.5A,125VAC              | 79727       | GF-126-0012A     |
|                        |                       |                         |               |     |           | (ATTACHING PARTS FOR EACH)                 |             |                  |
| -18                    | 211-0030-00           |                         |               | 2   |           | SCREW,MACHINE:2-56 X 0.25"82 DEG,FLH STL   | 83385       | OBD              |
| -19                    | 210-0405-00           |                         |               | 2   |           | NUT,PLAIN,HEX.:2-56 X 0.188 INCH,BRS       | 73743       | 2X12157-402      |
|                        |                       |                         |               |     |           | - - - * - - -                              |             |                  |
| -20                    | 386-1447-54           |                         |               | 1   |           | SUBPANEL,FRONT:                            | 80009       | 386-1447-54      |
|                        |                       |                         |               |     |           | (ATTACHING PARTS)                          |             |                  |
| -21                    | 213-0192-00           |                         |               | 4   |           | SCR,TPG,THD FOR:6-32 X 0.50 INCH,PNH STL   | 87308       | OBD              |
|                        |                       |                         |               |     |           | - - - * - - -                              |             |                  |
| -22                    | 384-1165-00           |                         |               | 1   |           | EXTENSION SHAFT:7.80 L X 0.124 OD          | 80009       | 384-1165-00      |
| -23                    | 200-1442-00           |                         |               | 1   |           | COVER,ATTEN CHAS:                          | 80009       | 200-1442-00      |
|                        |                       |                         |               |     |           | (ATTACHING PARTS)                          |             |                  |
| -24                    | 211-0007-00           |                         |               | 4   |           | SCREW,MACHINE:4-40 X 0.188 INCH,PNH STL    | 83385       | OBD              |
| -25                    | 210-0994-00           |                         |               | 4   |           | WASHER,FLAT:0.125 ID X 0.25" OD,STL        | 83385       | OBD              |
|                        |                       |                         |               |     |           | - - - * - - -                              |             |                  |
| -26                    | 337-1716-00           |                         |               | 1   |           | SHIELD,ELEC:                               | 80009       | 337-1716-00      |
|                        |                       |                         |               |     |           | (ATTACHING PARTS)                          |             |                  |
| -27                    | 213-0055-00           |                         |               | 1   |           | SCR,TPG,THD FOR:2-32 X 0.188 INCH,PNH STL  | 83385       | OBD              |
|                        |                       |                         |               |     |           | - - - * - - -                              |             |                  |
| -28                    | 407-1172-00           |                         |               | 1   |           | BRKT,CKT BOARD:                            | 80009       | 407-1172-00      |
|                        |                       |                         |               |     |           | (ATTACHING PARTS)                          |             |                  |
| -29                    | 211-0008-00           |                         |               | 2   |           | SCREW,MACHINE:4-40 X 0.25 INCH,PNH STL     | 83385       | OBD              |
| -30                    | 210-0586-00           |                         |               | 1   |           | NUT,PLAIN,EXT W:4-40 X 0.25 INCH,STL       | 78189       | OBD              |
|                        |                       |                         |               |     |           | - - - * - - -                              |             |                  |
|                        | 672-0051-00           | B010100                 | B059999       | 1   |           | CKT BOARD ASSY:ATTENUATOR/READOUT          | 80009       | 672-0051-00      |
|                        | 672-0051-01           | B060000                 | B079999       | 1   |           | CKT BOARD ASSY:ATTENUATOR/READOUT          | 80009       | 672-0051-01      |
|                        | 672-0051-02           | B080000                 |               | 1   |           | CKT BOARD ASSY:ATTENUATOR/READOUT          | 80009       | 672-0051-02      |
|                        | -----                 |                         |               | -   |           | . EACH CKT BOARD ASSY INCLUDES:            |             |                  |
| -31                    | -----                 |                         |               | 1   |           | . CKT BOARD ASSY:ATTENUATOR(SEE A1 EPL)    |             |                  |
| -32                    | 129-0299-00           |                         |               | 4   |           | . . POST,ELEC-MECH:HEX,0.333 INCH LONG     | 80009       | 129-0299-00      |
|                        |                       |                         |               |     |           | (ATTACHING PARTS FOR EACH)                 |             |                  |
| -33                    | 210-0004-00           |                         |               | 1   |           | . . WASHER,LOCK:INTL,0.12 ID X 0.26"OD,STL | 78189       | 1204-00-00-0541C |
|                        | 210-0406-00           |                         |               | 1   |           | . . NUT,PLAIN,HEX.:4-40 X 0.188 INCH,BRS   | 73743       | 2X12161-402      |
|                        |                       |                         |               |     |           | - - - * - - -                              |             |                  |
| -34                    | 131-1030-00           |                         |               | 10  |           | . . CONTACT ASSY,EL:CAM SWITCH,BOTTOM      | 80009       | 131-1030-00      |
| -35                    | 131-1031-00           |                         |               | 10  |           | . . CONTACT ASSY,EL:CAM SWITCH,TOP         | 80009       | 131-1031-00      |
| -36                    | 210-0799-00           |                         |               | 10  |           | . . EYELET,MET:0.183 X 0.362 W             |             |                  |

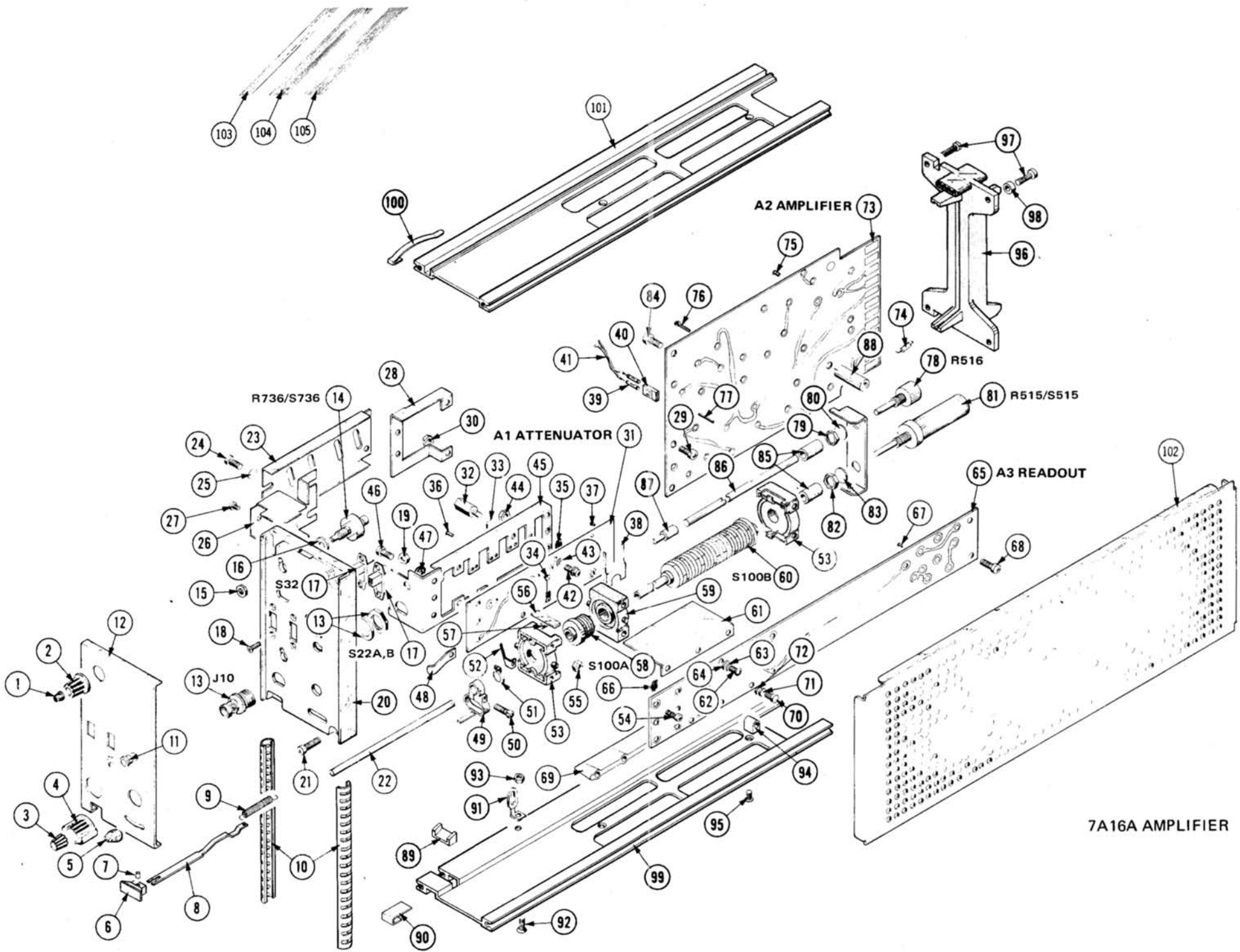
# Mechanical Parts List—7A16A

FIGURE 1 EXPLODED (CONT)

| Fig. & Index No. | Tektronix Part No. | Serial/Model No. Eff | Dscont  | Qty | 1 | 2 | 3 | 4 | 5 | Name & Description   | Mfr Code | Mfr Part Number  |
|------------------|--------------------|----------------------|---------|-----|---|---|---|---|---|--|----------|------------------|
| 1-37             | 136-0252-01        |                      |         | 14  | . | . | . | . | . | CONTACT,ELEC:0.178 INCH LONG                                     | 00779    | 1-332095-2       |
|                  | 136-0333-00        |                      |         | 2   | . | . | . | . | . | CONTACT,ELEC:0.138 INCH LONG                                     | 00779    | 1-331677-4       |
| -38              | 337-1406-00        |                      |         | 1   | . | . | . | . | . | SHLD,ELECTRICAL:CAM CONTACTS                                     | 80009    | 337-1406-00      |
| -39              | 131-0707-00        |                      |         | 2   | . | . | . | . | . | CONTACT,ELEC:0.48"L,22-26 AWG WIRE                               | 22526    | 47439            |
| -40              | 352-0169-00        |                      |         | 1   | . | . | . | . | . | HOLDER,TERM.CON:2 WIRE BLACK                                     | 80009    | 352-0169-00      |
| -41              | 175-0825-00        |                      |         | FT  | . | . | . | . | . | WIRE,ELECTRICAL:2 WIRE RIBBON<br>(ATTACHING PARTS FOR CKT BD)    | 23499    | TEK-175-0825-00  |
| -42              | 211-0001-00        |                      |         | 3   | . | . | . | . | . | SCREW,MACHINE:2-56 X 0.25 INCH,PNH STL                           | 83385    | OBD              |
| -43              | 210-0053-00        |                      |         | 3   | . | . | . | . | . | WASHER,LOCK:INTL,0.092 ID X 0.175"OD,STL                         | 83385    | OBD              |
| -44              | 210-0405-00        |                      |         | 3   | . | . | . | . | . | NUT,PLAIN,HEX.:2-56 X 0.188 INCH,BRS                             | 73743    | 2X12157-402      |
|                  |                    |                      |         |     | - | - | - | - | - | * - - - -  |          |                  |
| -45              | 441-1097-00        |                      |         | 1   | . | . | . | . | . | CHAS,PL-IN UNIT:<br>(ATTACHING PARTS)                            | 80009    | 441-1097-00      |
| -46              | 211-0097-00        |                      |         | 2   | . | . | . | . | . | SCREW,MACHINE:4-40 X 0.312 INCH,PNH STL                          | 83385    | OBD              |
| -47              | 210-0004-00        |                      |         | 2   | . | . | . | . | . | WASHER,LOCK:INTL,0.12 ID X 0.26"OD,STL                           | 78189    | 1204-00-00-0541C |
|                  | 210-0406-00        |                      |         | 2   | . | . | . | . | . | NUT,PLAIN,HEX.:4-40 X 0.188 INCH,BRS                             | 73743    | 2X12161-402      |
|                  |                    |                      |         |     | - | - | - | - | - | * - - - -  |          |                  |
| -48              | 131-0907-00        |                      |         | 2   | . | . | . | . | . | CONTACT,ELEC:  | 80009    | 131-0907-00      |
| -49              | 105-0243-00        |                      |         | 1   | . | . | . | . | . | ACTUATOR,SWITCH:<br>(ATTACHING PARTS)                            | 80009    | 105-0243-00      |
| -50              | 213-0214-00        |                      |         | 1   | . | . | . | . | . | SCREW,CAP SCH:2-56 X 0.375"HEX HD STL                            | 70278    | OBD              |
|                  |                    |                      |         |     | - | - | - | - | - | * - - - -  |          |                  |
|                  | 263-1018-00        | XB060000             | B079999 | 1   | . | . | . | . | . | ACTR ASSY,CAM S:   | 80009    | 263-1018-00      |
|                  | 263-1018-01        | B080000              |         | 1   | . | . | . | . | . | ACTR ASSY,CAM S:   | 80009    | 263-1018-01      |
| -51              | 354-0391-00        | B010100              | B059999 | 2   | . | . | . | . | . | RING,RETAINING:0.395"FREE ID X 0.025" STL                        | 97464    | 3100-43-CD       |
|                  | 354-0390-00        | B060000              |         | 1   | . | . | . | . | . | RING,RETAINING:0.338 FREE ID X 0.025 STL                         |          |                  |
|                  | 354-0443-00        | B060000              |         | 1   | . | . | . | . | . | RING,RETAINING:0.338 FREE ID X 0.025 STL                         |          |                  |
| -52              | 131-0963-00        |                      |         | 2   | . | . | . | . | . | CONTACT,ELEC:GROUNDING   | 80009    | 131-0963-00      |
| -53              | 401-0081-02        | B010100              | B059999 | 2   | . | . | . | . | . | BEARING,CAM SW:FRONT   | 80009    | 401-0081-02      |
|                  | 401-0180-00        | B060000              | B079999 | 2   | . | . | . | . | . | BEARING,CAM SW:  | 80009    | 401-0180-00      |
|                  | 401-0180-02        | B080000              |         | 1   | . | . | . | . | . | BEARING,CAM SW:  | 80009    | 401-0180-02      |
|                  | 401-0180-01        | B080000              |         | 1   | . | . | . | . | . | BEARING,CAM SW:  | 80009    | 401-0180-01      |
|                  |                    |                      |         |     | - | - | - | - | - | (ATTACHING PARTS)  |          |                  |
| -54              | 211-0116-00        |                      |         | 2   | . | . | . | . | . | SCR,ASSEM WSHR:4-40 X 0.312 INCH,PNH BRS                         | 83385    | OBD              |
| -55              | 210-0406-00        |                      |         | 2   | . | . | . | . | . | NUT,PLAIN,HEX.:4-40 X 0.188 INCH,BRS                             | 73743    | 2X12161-402      |
|                  |                    |                      |         |     | - | - | - | - | - | * - - - -  |          |                  |
| -56              | 214-1139-00        |                      |         | -   | . | . | . | . | . | SPRING,FLAT:GOLD COLORED   | 80009    | 214-1139-00      |
|                  | 214-1139-02        |                      |         | -   | . | . | . | . | . | SPRING,FLAT:GREEN COLORED  | 80009    | 214-1139-02      |
|                  | 214-1139-03        |                      |         | -   | . | . | . | . | . | SPRING,FLAT:RED COLORED  | 80009    | 214-1139-03      |
| -57              | 214-1127-00        | B010100              | B059999 | 4   | . | . | . | . | . | ROLLER,DETENT:0.125 DIA X 0.125 INCH L                           | 80009    | 214-1127-00      |
|                  | 214-1752-00        | B060000              |         | 4   | . | . | . | . | . | ROLLER,DETENT:   | 80009    | 214-1752-00      |
| -58              | 105-0397-00        | B010100              | B059999 | 1   | . | . | . | . | . | DRUM,CAM SWITCH:   | 80009    | 105-0397-00      |
|                  | 105-0397-01        | B060000              |         | 1   | . | . | . | . | . | DRUM,CAM SWITCH:   | 80009    | 105-0397-01      |
| -59              | 401-0115-00        | B010100              | B059999 | 1   | . | . | . | . | . | BEARING,CAM SW:CENTER  | 80009    | 401-0115-00      |
|                  | 401-0178-00        | B060000              |         | 1   | . | . | . | . | . | BEARING,CAM SW:CENTER/REAR<br>(ATTACHING PARTS)                  | 80009    | 105-0178-00      |
|                  | 211-0116-00        |                      |         | 2   | . | . | . | . | . | SCR,ASSEM WSHR:4-40 X 0.312 INCH,PNH BRS                         | 83385    | OBD              |
|                  | 210-0406-00        |                      |         | 2   | . | . | . | . | . | NUT,PLAIN,HEX.:4-40 X 0.188 INCH,BRS                             | 73743    | 2X12161-402      |
|                  |                    |                      |         |     | - | - | - | - | - | * - - - -  |          |                  |
| -60              | 105-0398-00        | B010100              | B059999 | 1   | . | . | . | . | . | DRUM,CAM SWITCH:   | 80009    | 105-0398-00      |
|                  | 105-0398-01        | B060000              |         | 1   | . | . | . | . | . | DRUM,CAM SWITCH:   | 80009    | 105-0398-01      |
|                  | 384-0880-00        | XB060000             |         | 1   | . | . | . | . | . | SHAFT,CAM SW:REAR  | 80009    | 384-0880-00      |
|                  | 384-0878-01        | XB060000             |         | 1   | . | . | . | . | . | SHAFT,CAM SW:FRONT   | 80009    | 384-0878-01      |
| -61              | 337-1754-00        |                      |         | 1   | . | . | . | . | . | SHIELD,ELEC:<br>(ATTACHING PARTS)                                | 80009    | 337-1754-00      |
| -62              | 213-0120-00        |                      |         | 3   | . | . | . | . | . | SCR,TPG,THD FOR:   | 83385    | OBD              |
| -63              | 210-0053-00        |                      |         | 3   | . | . | . | . | . | WASHER,LOCK:INTL,0.092 ID X 0.175"OD,STL                         | 83385    | OBD              |
| -64              | 210-1008-00        |                      |         | 3   | . | . | . | . | . | WASHER,FLAT:0.09 ID X 0.188" OD,BRS                              | 12360    | OBD              |
|                  |                    |                      |         |     | - | - | - | - | - | * - - - -  |          |                  |
| -65              | -----              |                      |         | 1   | . | . | . | . | . | CKT BOARD ASSY:READOUT(SEE A3 EPL)                               |          |                  |
| -66              | 131-1031-00        |                      |         | 7   | . | . | . | . | . | CONTACT ASSY,EL:CAM SWITCH,TOP                                   | 80009    | 131-1031-00      |
|                  | 210-0779-00        |                      |         | 7   | . | . | . | . | . | RIVET,TUBULAR:0.051 OD X 0.115 INCH LONG                         | 42838    | RA-29952715      |
| -67              | 136-0252-04        | B010100              | B061916 | 3   | . | . | . | . | . | CONTACT,ELEC:0.188 INCH LONG                                     | 22526    | 75060            |
|                  | 136-0350-00        | B061917              |         | 1   | . | . | . | . | . | SOCKET,PLUG-IN:3 PIN LOW PROFILE<br>(ATTACHING PARTS FOR CKT BD) | 80009    | 136-0350-00      |
| -68              | 211-0008-00        |                      |         | 1   | . | . | . | . | . | SCREW,MACHINE:4-40 X 0.25 INCH,PNH STL                           | 83385    | OBD              |
|                  |                    |                      |         |     | - | - | - | - | - | * - - - -  |          |                  |

FIGURE 1 EXPLODED (CONT)

| Fig. & Index No. | Tektronix Part No. | Serial/Model No. Eff | No. Dscnt | Qty | 1 2 3 4 5 |   |   |   |   | Name & Description   | Mfr Code | Mfr Part Number  |
|------------------|--------------------|----------------------|-----------|-----|-----------|---|---|---|---|--|----------|------------------|
|                  |                    |                      |           |     |           |   |   |   |   |  |          |                  |
| 1-69             | 337-1418-01        |                      |           | 1   | .         | . | . | . | . | SHIELD,ELEC:CAM SWITCH<br>(ATTACHING PARTS)                            | 80009    | 337-1418-01      |
| -70              | 213-0277-00        |                      |           | 3   | .         | . | . | . | . | SCR,TPG,THD FOR:2-56 X 0.312 INCH,PNH STL                              | 83385    | NOTE             |
| -71              | 210-0053-00        |                      |           | 3   | .         | . | . | . | . | WASHER,LOCK:INTL,0.092 ID X 0.175"OD,STL                               | 83385    | OBD              |
| -72              | 210-1008-00        |                      |           | 3   | .         | . | . | . | . | WASHER,FLAT:0.09 ID X 0.188" OD,BRS                                    | 12360    | OBD              |
| -73              | -----              |                      |           | 1   | .         | . | . | . | . | CKT BOARD ASSY:AMPLIFIER(SEE A2 EPL)                                   |          |                  |
| -74              | 131-0566-00        |                      |           | 5   | .         | . | . | . | . | LINK,TERM.CONNE:0.086 DIA X 2.375 INCH L                               | 0000C    | L-2007-1         |
| -75              | 136-0252-04        | B010100              | B041100   | 110 | .         | . | . | . | . | CONTACT,ELEC:0.188 INCH LONG   | 22526    | 75060            |
|                  | 136-0254-04        | B041101              |           | 80  | .         | . | . | . | . | CONTACT,ELEC:0.188 INCH LONG   | 22526    | 75060            |
|                  | 136-0350-00        | B041101              |           | 10  | .         | . | . | . | . | SKT,PL-IN ELEC:3 PIN,LOW PROFILE                                       | 80009    | 136-0350-00      |
| -76              | 214-0579-00        |                      |           | 1   | .         | . | . | . | . | TERM.,TEST PT:0.40 INCH LONG   | 80009    | 214-0579-00      |
| -77              | 131-0608-00        |                      |           | 2   | .         | . | . | . | . | CONTACT,ELEC:0.365 INCH LONG   | 22526    | 47357            |
| -78              | -----              |                      |           | 1   | .         | . | . | . | . | RESISTOR,VAR:(SEE R516 EPL)<br>(ATTACHING PARTS)                       |          |                  |
| -79              | 210-0583-00        |                      |           | 1   | .         | . | . | . | . | NUT,PLAIN,HEX.:0.25-32 X 0.312 INCH,BRS                                | 73743    | 2X20319-402      |
| -80              | 210-0046-00        |                      |           | 1   | .         | . | . | . | . | WASHER,LOCK:INTL,0.26 ID X 0.40" OD,STL                                | 78189    | 1214-05-00-0541C |
| -81              | -----              |                      |           | 1   | .         | . | . | . | . | RESISTOR,VAR:(SEE R515/S515 EPL)<br>(ATTACHING PARTS)                  |          |                  |
| -82              | 210-0583-00        |                      |           | 1   | .         | . | . | . | . | NUT,PLAIN,HEX.:0.25-32 X 0.312 INCH,BRS                                | 73743    | 2X20319-402      |
| -83              | 210-0046-00        |                      |           | 1   | .         | . | . | . | . | WASHER,LOCK:INTL,0.26 ID X 0.40" OD,STL                                | 78189    | 1214-05-00-0541C |
| -84              | 211-0008-00        |                      |           | 2   | .         | . | . | . | . | SCREW,MACHINE:4-40 X 0.25 INCH,PNH STL<br>(ATTACHING PARTS FOR CKT BD) | 83385    | OBD              |
| -85              | 376-0029-00        |                      |           | 2   | .         | . | . | . | . | CPLG,SHAFT,RGD:0.128 ID X 0.312 OD X 0.5"L                             | 80009    | 376-0029-00      |
|                  | 213-0075-00        |                      |           | 2   | .         | . | . | . | . | SETSCREW:4-40 X 0.094 INCH,HEX SOC STL                                 | 70276    | OBD              |
| -86              | 384-1111-00        |                      |           | 1   | .         | . | . | . | . | EXTENSION SHAFT:7.04 L X 0.123 INCH OD                                 | 80009    | 384-1111-00      |
| -87              | 384-1112-00        |                      |           | 1   | .         | . | . | . | . | EXTENSION SHAFT:0.126ID X 0.125OD X 0.50L                              | 80009    | 384-1112-00      |
| -88              | 129-0080-00        |                      |           | 1   | .         | . | . | . | . | POST,ELEC-MECH:<br>(ATTACHING PARTS)                                   | 80009    | 129-0080-00      |
|                  | 211-0008-00        |                      |           | 1   | .         | . | . | . | . | SCREW,MACHINE:4-40 X 0.25 INCH,PNH STL                                 | 83385    | OBD              |
| -89              | 105-0075-00        |                      |           | 1   | .         | . | . | . | . | PAWL:0.475 X 0.21 X 0.184 INCH,PLSTC                                   | 80009    | 105-0075-00      |
| -90              | 214-1054-00        |                      |           | 1   | .         | . | . | . | . | SPRING,DETENT:LATCH  | 80009    | 214-1054-00      |
| -91              | 210-0288-00        |                      |           | 1   | .         | . | . | . | . | TERMINAL,LUG:<br>(ATTACHING PARTS)                                     | 80009    | 210-0288-00      |
| -92              | 211-0105-00        |                      |           | 1   | .         | . | . | . | . | SCREW,MACHINE:4-40 X 0.188"100 DEG,FLH STL                             | 83385    | OBD              |
| -93              | 210-0586-00        |                      |           | 1   | .         | . | . | . | . | NUT,PLAIN,EXT W:4-40 X 0.25 INCH,STL                                   | 78189    | OBD              |
| -94              | 220-0547-01        |                      |           | 4   | .         | . | . | . | . | NUT,BLOCK:0.38 X 0.25 X 0.282"OA<br>(ATTACHING PARTS FOR EACH)         | 80009    | 220-0547-01      |
| -95              | 211-0105-00        |                      |           | 1   | .         | . | . | . | . | SCREW,MACHINE:4-40 X 0.188"100 DEG,FLH STL                             | 83385    | OBD              |
| -96              | 386-1402-00        |                      |           | 1   | .         | . | . | . | . | PANEL,REAR:<br>(ATTACHING PARTS)                                       | 80009    | 386-1402-00      |
| -97              | 213-0192-00        |                      |           | 4   | .         | . | . | . | . | SCR,TPG,THD FOR:6-32 X 0.50 INCH,PNH STL                               | 87308    | OBD              |
| -98              | 361-0326-00        |                      |           | 1   | .         | . | . | . | . | SPACER,SLEEVE:0.18 ID X 0.25 OD X 0.10"L                               | 80009    | 361-0326-00      |
| -99              | 426-0737-00        |                      |           | 1   | .         | . | . | . | . | FR SECT,PLUG-IN:BOTTOM   | 80009    | 426-0737-00      |
| -100             | 214-1061-00        |                      |           | 1   | .         | . | . | . | . | SPRING,GROUND:FLAT   | 80009    | 214-1061-00      |
| -101             | 426-0736-00        |                      |           | 1   | .         | . | . | . | . | FR SECT,PLUG-IN:TOP  | 80009    | 426-0736-00      |
| -102             | 337-1064-04        |                      |           | 2   | .         | . | . | . | . | SHIELD,ELEC:SIDE   | 80009    | 337-1064-00      |
| -103             | 175-0825-00        |                      |           | FT  | .         | . | . | . | . | WIRE,ELECTRICAL:2 WIRE RIBBON  | 23499    | TEK-175-0825-00  |
| -104             | 175-0831-00        |                      |           | FT  | .         | . | . | . | . | WIRE,ELECTRICAL:8 WIRE RIBBON  | 08261    | TEK-175-0831-00  |
| -105             | 175-0832-00        |                      |           | FT  | .         | . | . | . | . | WIRE,ELECTRICAL:9 WIRE RIBBON  | 23499    | TEK-175-0832-00  |
|                  | 210-0203-00        | XB040000             |           | 1   | .         | . | . | . | . | TERMINAL,LUG:<br>(ATTACHING PARTS)                                     | 78189    | 2103-06-00-2520N |
|                  | 211-0105-00        | XB040000             |           | 1   | .         | . | . | . | . | SCREW,MACHINE:4-40 X 0.188"100 DEG,FLH STL                             | 83385    | OBD              |
|                  | 210-0406-00        | XB040000             |           | 1   | .         | . | . | . | . | NUT,PLAIN,HEX.:4-40 X 0.188 INCH,BRS                                   | 73743    | 2X12161-402      |



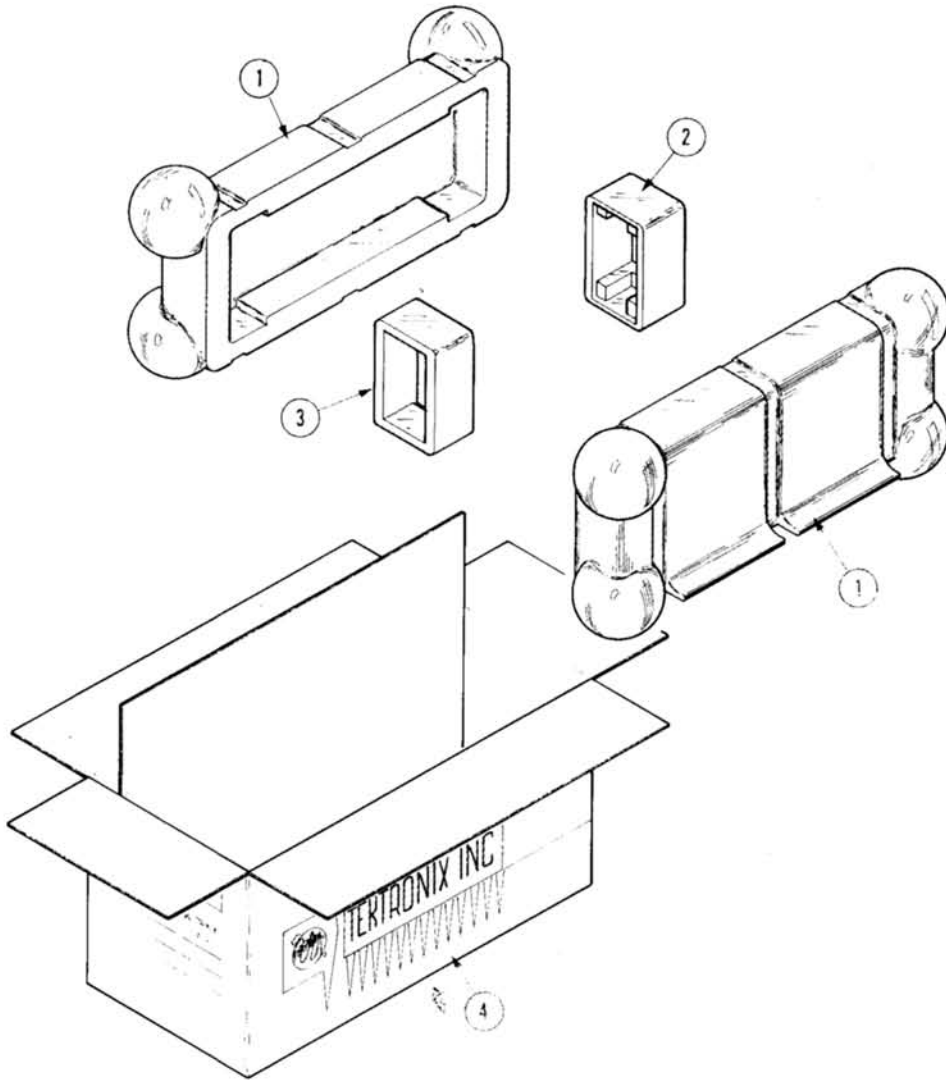
7A16A AMPLIFIER



ACCESSORIES

| Fig. &<br>Index<br>No. | Tektronix<br>Part No. | Serial/Model No. |      | Q<br>t<br>y |   |   |   |   |   | Description                     |
|------------------------|-----------------------|------------------|------|-------------|---|---|---|---|---|---------------------------------|
|                        |                       | Eff              | Disc |             | 1 | 2 | 3 | 4 | 5 |                                 |
| 2-                     | 070-1378-00           |                  |      | 1           |   |   |   |   |   | MANUAL, instruction (not shown) |

## REPACKAGING



| Fig. &<br>Index<br>No. | Tektronix<br>Part No. | Serial/Model No. |      | Q<br>t<br>y | 1 | 2 | 3 | 4 | 5 | Description               |
|------------------------|-----------------------|------------------|------|-------------|---|---|---|---|---|---------------------------|
|                        |                       | Eff              | Disc |             |   |   |   |   |   |                           |
| 2-                     | 065-0125-00           |                  |      | 1           |   |   |   |   |   | CARTON ASSEMBLY           |
| -1                     | 004-0241-00           |                  |      | 2           |   |   |   |   |   | Carton assembly includes: |
| -2                     | 004-0242-00           |                  |      | 1           |   |   |   |   |   | CASE HALF                 |
| -3                     | 004-0243-00           |                  |      | 1           |   |   |   |   |   | END CAP, rear             |
| -4                     | 004-0748-00           |                  |      | 1           |   |   |   |   |   | END CAP, front            |
|                        |                       |                  |      | 1           |   |   |   |   |   | CARTON                    |

## **MANUAL CHANGE INFORMATION**

At Tektronix, we continually strive to keep up with latest electronic developments by adding circuit and component improvements to our instruments as soon as they are developed and tested.

Sometimes, due to printing and shipping requirements, we can't get these changes immediately into printed manuals. Hence, your manual may contain new change information on following pages.

A single change may affect several sections. Sections of the manual are often printed at different times, so some of the information on the change pages may already be in your manual. Since the change information sheets are carried in the manual until ALL changes are permanently entered, some duplication may occur. If no such change pages appear in this section, your manual is correct as printed.