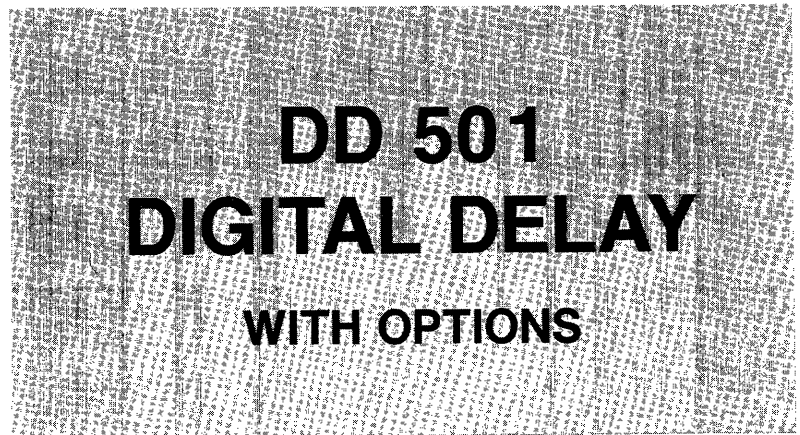




**PLEASE CHECK FOR CHANGE INFORMATION
AT THE REAR OF THIS MANUAL.**



INSTRUCTION MANUAL

Tektronix, Inc.
P.O. Box 500
Beaverton, Oregon 97077


070-1818-01
Product Group 75

Serial Number _____

First Printing SEP 1974
Revised APR 1982

Copyright © 1974, 1975 Tektronix, Inc. All rights reserved.
Contents of this publication may not be reproduced in
any form without the written permission of Tektronix, Inc.

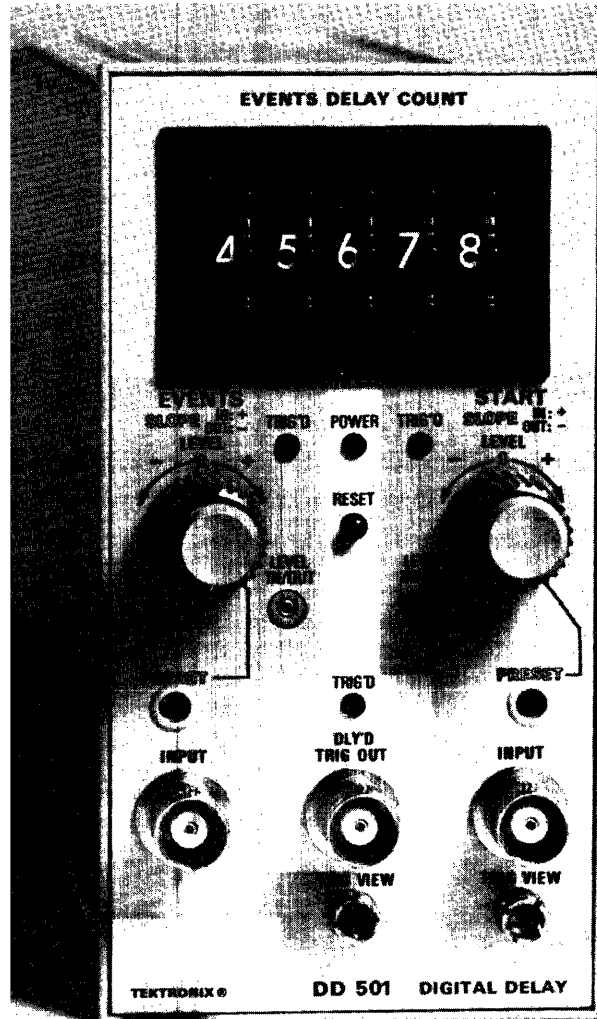
Products of Tektronix, Inc. and its subsidiaries are
covered by U.S. and foreign patents and/or pending
patents.

TEKTRONIX, TEK, SCOPE-MOBILE, and  are
registered trademarks of Tektronix, Inc. TELEQUIP-
MENT is a registered trademark of Tektronix U.K.
Limited.

Printed in U.S.A. Specification and price change
privileges are reserved.

TABLE OF CONTENTS

	Page
SECTION 1 OPERATING INSTRUCTIONS	
Installation	1-1
Signal Connection	1-1
Triggering	1-1
Counted Burst	1-2
FRONT-PANEL CONTROLS, CONNECTORS, AND INDICATORS	1-4
SECTION 2 SPECIFICATION	
SECTION 3 THEORY OF OPERATION	
BLOCK DIAGRAM DESCRIPTION	3-1
CIRCUIT OPERATION	
TRIGGER CIRCUIT 1	3-2
COUNTER CIRCUIT (SN B020530-up) 2	3-2
COUNTER CIRCUIT (SN B020529 and below) 2	3-5
POWER SUPPLY & TRIGGER INDICATOR 3	3-7
SECTION 4 MAINTENANCE	
FUSE REPLACEMENT	4-1
TABLE 4-2. Rear Connector Pin Assignments	4-1
REPACKAGING FOR SHIPMENT	4-2
SECTION 5 PERFORMANCE CHECK/CALIBRATION	
PRELIMINARY INFORMATION	5-1
Test Equipment Required	5-1
INDEX TO PERFORMANCE CHECK/CALIBRATION	5-3
START AND EVENTS INPUT	5-4
START AND EVENTS TRIGGERING	5-6
SECTION 6 ELECTRICAL PARTS LIST	
OPTIONS	
SECTION 7 DIAGRAMS	
SECTION 8 MECHANICAL PARTS LIST	
CHANGE INFORMATION	



DD 501 Digital Delay Unit.

OPERATING INSTRUCTIONS

INTRODUCTION

The DD 501 Digital Delay is an events counting plug-in unit designed for use in a TM 500-Series Power Module mainframe. Separate external trigger signals are connected to the EVENTS and START INPUT connectors which allows up to 99999 events to be counted. The plug-in unit counts a predetermined number of events, from 0 to 99999, which are selected by the front-panel thumb-wheel switches. The last event counted generates a trigger pulse to the DLY'D TRIG OUT connector on the front panel.

Installation

The DD 501 is calibrated and ready for use when received. It is designed to operate in any compartment of a TM 500-Series Power Module only. To install, align the upper and lower rails of the DD 501 with the Power Module tracks and fully insert it. The front will be flush with the front of the Power Module when the DD 501 is fully inserted.

To remove the DD 501, pull on the latch at the bottom of the front panel and the DD 501 will unlatch. Continue pulling on the latch to slide the DD 501 out of the Power Module. See Fig. 1-1.

Signal Connection

The DD 501 utilizes dc coupling into the EVENTS and START trigger INPUT connectors. In general, probes offer the most convenient means of connecting signals to the DD 501 trigger inputs. Tektronix probes are shielded to prevent pickup of electrostatic interference. A 10X attenuation probe offers a high input impedance and allows the circuit under test to perform very close to normal operating conditions. Also, a 10X probe attenuates the input signal 10 times.

Tektronix probes are designed to monitor the signal source with minimum circuit loading. The use of a probe will, however, limit the maximum trigger frequency range. To obtain maximum trigger bandwidth when using probes, select a probe capable of compensating the input capacitance. Observe the grounding considerations given in the probe manual. The probe-to-connector adapters and the bayonet-ground tip provide the best frequency response.

In high-frequency applications, which require maximum overall bandwidth, use a coaxial cable terminated at the output end in the characteristic impedance of the source. To maintain the high-frequency characteristics of the applied signal, use high-quality, low-loss cable. Resistive coaxial attenuators can be used to minimize reflection if the applied signal has suitable amplitude.

High-level, low-frequency signals can be connected directly to the external trigger inputs with short, unshielded leads. When this method is used, establish a common ground between the DD 501 and the associated equipment. The common ground provided by the line cords is usually inadequate. If interference is excessive with unshielded leads, use a coaxial cable or probe.

The front-panel output signal from the DLY'D TRIG OUT connector should be connected to other equipment with 50 ohm coaxial cable. The cable should be terminated in 50 ohms to maintain the risetime and falltime characteristics of the signal.

Triggering

The input signal may have a wide variety of shapes and amplitudes, many of which are unsuitable as delay-initiating triggers. For this reason, these signals are first

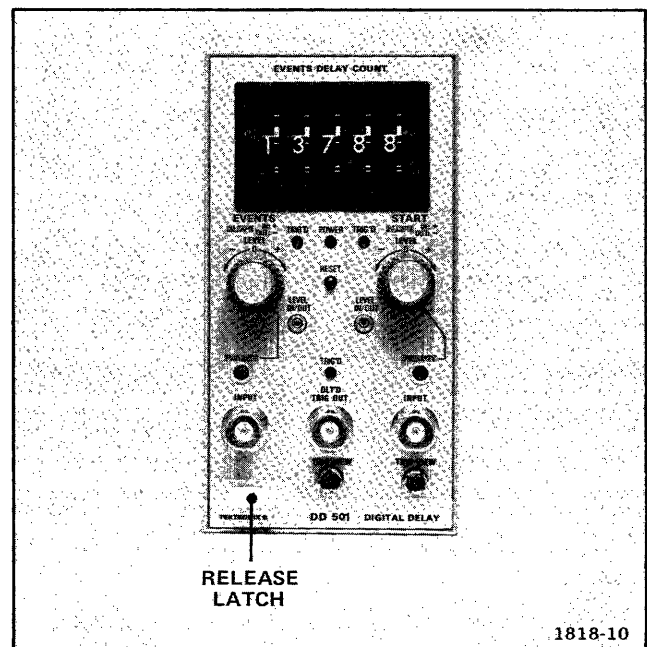


Fig. 1-1. Release latch.

Operating Instructions—DD 501

applied to a trigger circuit where they are converted to pulses of uniform amplitude and shape. This makes it possible to start the delay with a pulse that has a constant size, eliminating variations of the delay circuit operation caused by changing input signals. The trigger controls provide a means to select the START and EVENT pulses at any voltage level on either slope of the waveform.

The trigger SLOPE and LEVEL controls determine the slope and voltage of the input signal where the trigger circuit responds. Generally, the best point on a waveform for triggering is where the slope is steep, and therefore usually free of noise. Assuming a sine-wave input waveform, the steepest slope occurs at the zero-crossing point. This is the point selected for triggering with the LEVEL control is set to 0 (center). A more positive or negative point on the waveform is selected as the LEVEL control is rotated clockwise or counterclockwise respectively from 0 (toward + or - symbols on panel).

Before setting the trigger level, the desired slope should be selected. Adjust the START LEVEL control to the desired start trigger point. Then adjust the EVENTS LEVEL control to trigger the events pulse either simultaneously or after the start trigger pulse. The relationship between start and events triggering is monitored at the START and EVENTS TRIG VIEW connectors.

Either LEVEL control can be preset to a fixed voltage level by adjusting the front-panel PRESET adjustment. Rotate either LEVEL control fully clockwise (into the detent), and set the PRESET screwdriver adjustment to the desired triggering voltage level.

Counted Burst

This application permits preselecting the number of output pulses from the PG 508. The event is initiated by an externally applied signal or pulse, 5 ns or longer. The time duration of this signal or pulse has no effect on the output from the PG 508.

To use this feature, place the DD 501 in the delay interval mode of operation by moving the wire strap as shown in Fig. 1-2 or changing connections, depending on the DD 501 available. Connect the PG 508 and the DD 501 as shown in Fig. 1-3. Use ten inch or shorter cables for interconnecting the two units to reduce delays.

Make certain the PG 508 TRIG/GATE IN input impedance is set for 50 Ω . Set the controls of the PG 508 for the desired output waveform with the PG 508 in FREE RUN. Do not use the SQ WAVE mode. Place the PG 508 in the + SLOPE, SYNC GATE mode and set the TRIG/GATE LEVEL control at the 2 o'clock position. Select EVENTS + SLOPE, START + SLOPE and place the EVENTS and START LEVEL controls at the 2 o'clock position on the DD 501. The three TRIG'D lights on the DD 501 and the TRIG'D/GATED light on the PG 508 will be off until the DD 501 is triggered. Upon receipt of a trigger, all lights will illuminate. If not, check the setup and slightly adjust the LEVEL controls as necessary.

Set the EVENTS DELAY COUNT on the DD 501 for one less than the desired number of counts up to PG 508 repetition rates of about 20 MHz. See below for further information. If necessary, a single trigger may be obtained by rotating the DD 501 START LEVEL control through the 0 position, with no external trigger applied. A single trigger may also be obtained by using the TEKTRONIX manual (One Shot) Trigger Generator, Tektronix Part Number 016-0597-00. All other DD 501 and PG 508 operating controls function normally.

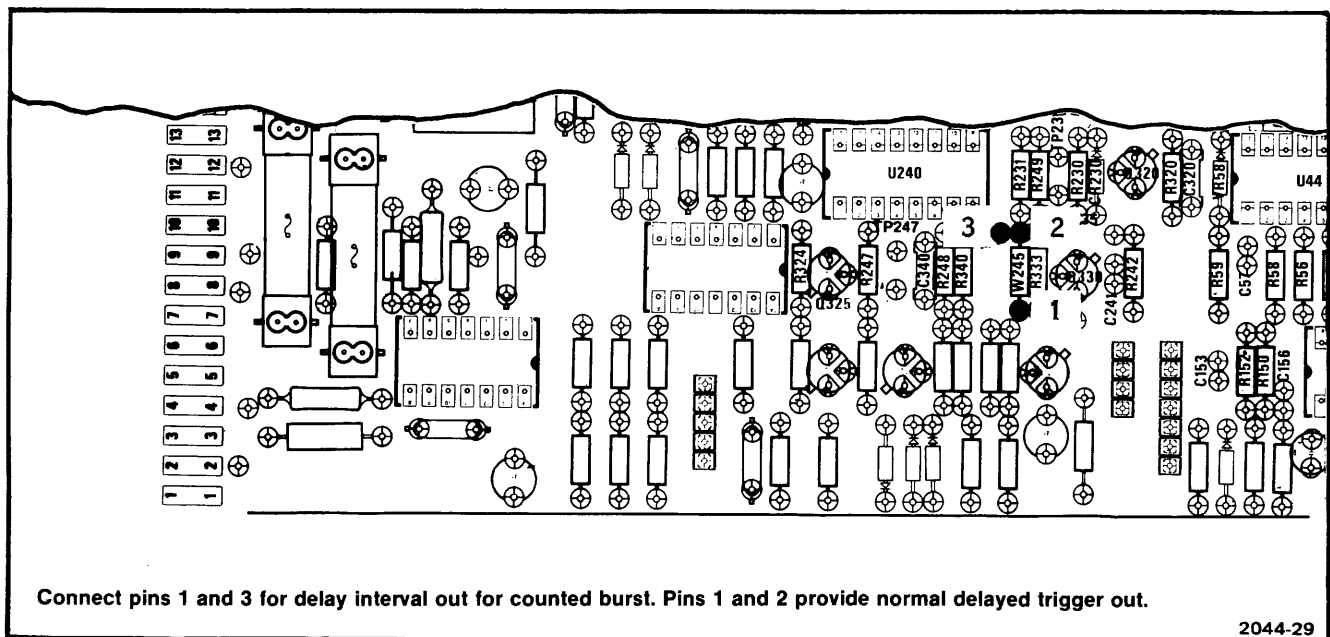


Fig. 1-2. Location of trigger jumpers in DD 501 for selecting trigger or delay interval output.

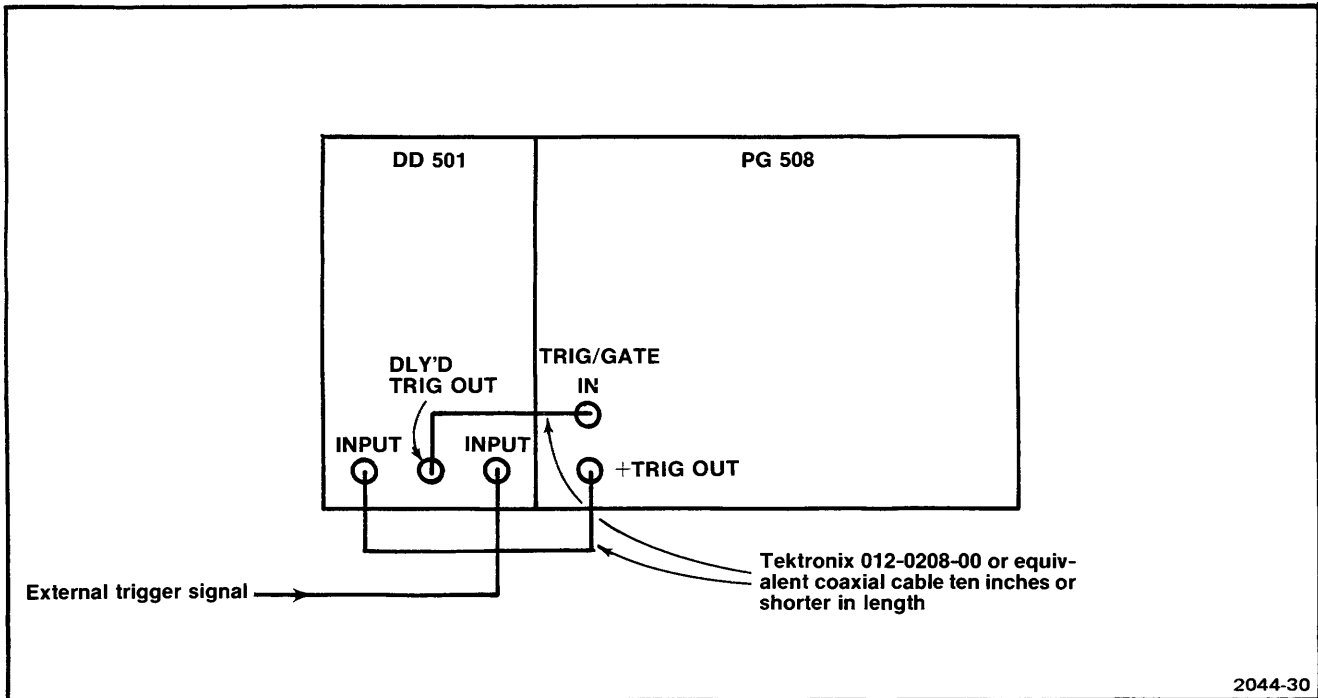


Fig. 1-3. PG 508-DD 501 Interconnections for counted burst operation.

Due to propagation delays in the PG 508, DD 501 and the interconnecting cables, one or more pulses in addition to the desired number are generated when the PG 508 repetition rates are set between 20 MHz and 50 MHz. These extra pulses are consistent for any given frequency irrespective of the desired EVENTS DELAY COUNT

setting. To determine the number of extra pulses for a given PG 508 period, set the PG 508 and the DD 501 controls as previously described. Now adjust the PG 508 TRIG/GATE LEVEL or the DD 501 EVENTS LEVEL for the same number of extra pulses at DD 501 EVENTS DELAY COUNT setting of zero and nine.

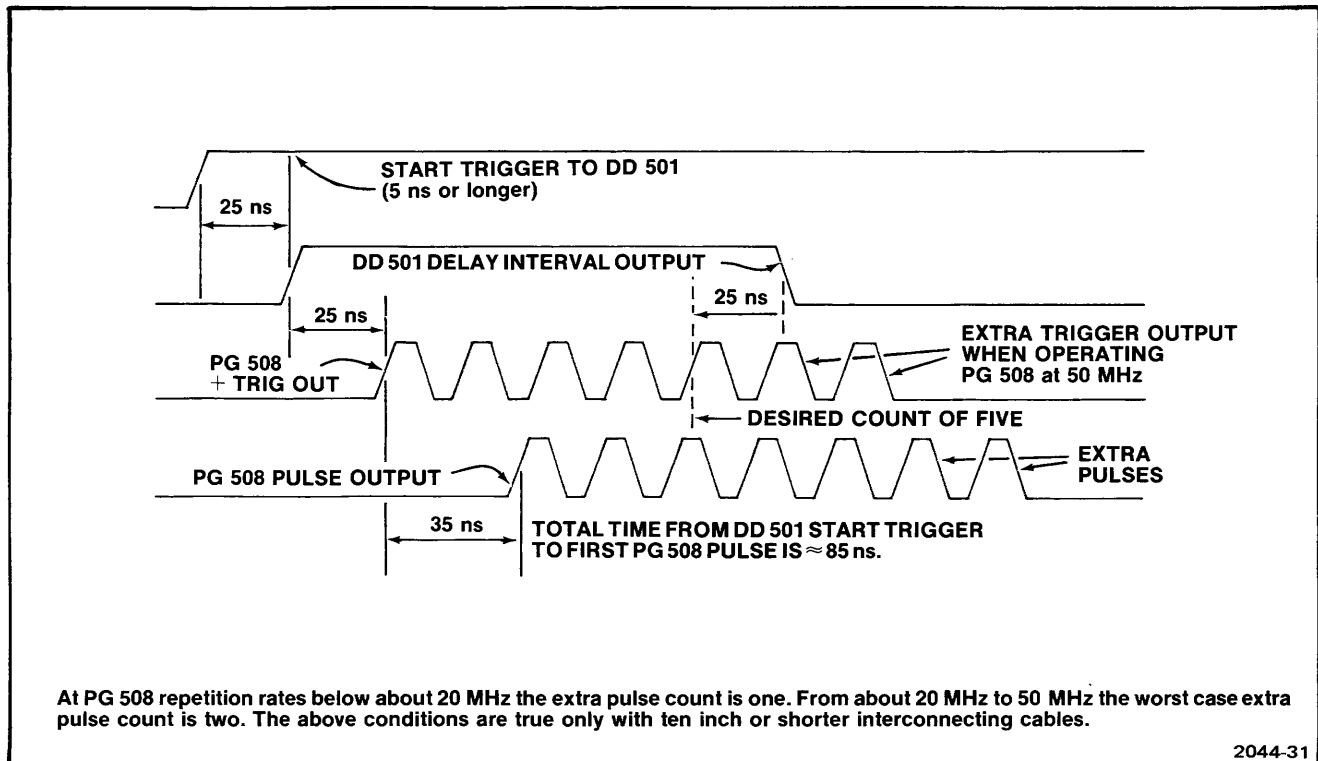


Fig. 1-4. Typical propagation delays using PG 508 with DD 501 in counted burst mode at 50 MHz repetition rate.

FRONT-PANEL CONTROLS, CONNECTORS, AND INDICATORS

NOTE

See Fig. 1-3 for location and brief description of front-panel controls, connectors, and indicators.

EVENTS DELAY COUNT Switch

The EVENTS DELAY COUNT switch is a 5 decade, digital readout switch that increases or decreases the count at which a delayed pulse will occur. This switch selects the number of events to be counted. The delay count is displayed on the front-panel switch readout. The DLY'D TRIG OUT signal is delayed 1 count more than the EVENTS DELAY COUNT switch setting; that is, a switch setting of 00000 will count 1 event pulse, or a switch setting of 99999 will count 100,000 event pulses to produce a DLY'D TRIG OUT pulse.

INPUT Connectors

Individual front-panel connectors are provided for connecting the external trigger signals to the EVENTS and START trigger preamplifiers.

EVENTS and START SLOPE Switches

Determine the amplitude point on the trigger signal at which the circuit triggers. In the fully clockwise detent position, the circuit triggers at the amplitude point on the trigger signal selected by the PRESET screwdriver adjustment.

LEVEL IN/OUT Connectors

Individual front-panel pin jacks are provided to monitor the EVENTS and START dc level at which the triggering occurs.

EVENTS TRIG'D Indicator

Provides a visible indication that the Events circuit has received a trigger, and that an adequate trigger signal is applied.

START TRIG'D Indicator

Provides a visible indication that the Start gate circuit has received a trigger, and is open, ready for the events count to begin.

RESET Pushbutton

A front-panel RESET button is provided to clear the EVENTS counter and reset the START circuit. The next START pulse will restart the EVENTS count at 00001. The RESET pushbutton allows the operator to reset the counter and start circuit when in long term count cycles or when a false trigger occurs.

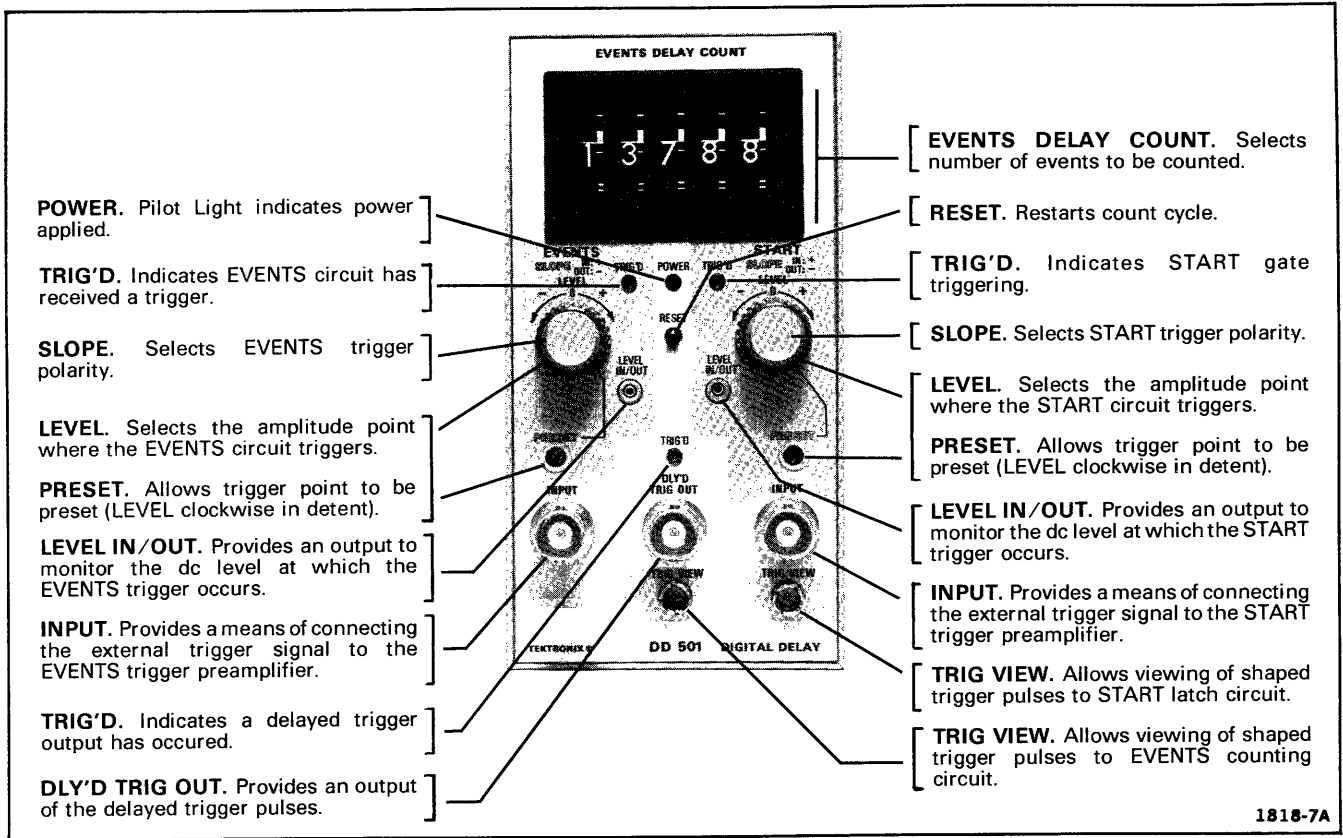


Fig. 1-5. DD 501 front panel controls and connectors.

TRIG VIEW Connectors

Individual front-panel probe-tip connectors are provided for monitoring the EVENTS and the START trigger pulse waveforms. The TRIG VIEW output signals are a representation of the input trigger signals repetition rates. The TRIG VIEW output pulse width is determined by the input waveshape and the triggering voltage level. For example, the sinewave EVENTS INPUT signal, triggered at the amplitude point shown in Fig. 1-6, produces an output trigger width of 5 microseconds. Consequently, varying the trigger amplitude point on the input waveform will vary the output pulse width proportionally.

DYL'D TRIG OUT Connector

Provides a means of applying the shaped delayed trigger pulses to associated equipment. Output signals are

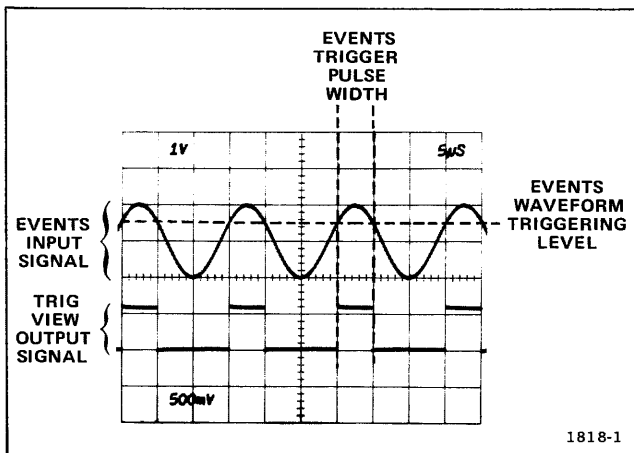


Fig. 1-6 Delayed output pulse width vs. events input-signal trigger voltage level.

generated as positive-going rectangular pulses coincident with the end of the delay interval. The DLY'D TRIG OUT pulse width will be identical to the Schmitt-trigger pulse width, which can be monitored at the front-panel TRIG VIEW connector.

The display shown in Fig. 1-7 illustrates the relationship between the EVENTS INPUT signal, TRIG VIEW pulse, and the DLY'D TRIG OUT pulse, with the EVENTS DELAY COUNT switch set at 00002.

DELAYED TRIG'D Light

Provides a visible indication when a delayed trigger output has occurred.

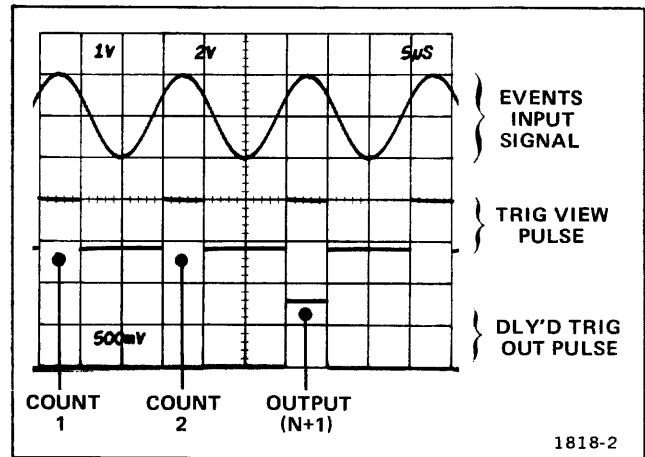


Fig. 1-7. Time and pulse-width relationships between input and output signals.

SPECIFICATION

INTRODUCTION

The following electrical characteristics are valid over the stated environmental range for instruments calibrated at an ambient temperature of +20°C to +30°C, and after a 5-minute warmup unless otherwise noted.

Limits and tolerances given in the Supplemental Information column are provided for user information only, and should not be interpreted as Performance Requirements.

TABLE 2-1
Electrical Characteristics

Characteristic	Performance Requirement	Supplemental Information
EVENTS and START		
Input Resistance and Capacitance		1 MΩ paralleled with 20 pF (variable)
Slope	+ or -, selectable	
Sensitivity	85 mV p-p minimum at 30 MHz; 120 mV p-p minimum at 65 MHz.	
Trigger Level Range	-1.0 V to +1.0 V	
Frequency Response	0 to 65 MHz	
Pulse Width (minimum)	5 ns	
TRIG VIEW Output	At least 0.5 V	Permits viewing of all shaped triggers
Source Impedance		200 Ω or less
Trigger LEVEL IN/OUT Monitor Jack		Probe-tip jack—allows monitoring comparator voltage of preset or trigger level to within 25 mV.
Source Impedance		Approximately 1 kΩ
TRIG'D Indicator		
EVENTS	Visual indication of triggering	
START	Visual indication that start gate is open	
LEVEL Controls		
0 Volt Trigger Level		Within 30° of mechanical zero
START Pulse Lead Time		Simultaneous or ahead of the EVENTS pulse
Recycle Time	50 ns or less	Paralleling START and EVENTS INPUTS determines maximum $\div N + 1$ frequency

Table 2-1 (cont)

Characteristic	Performance Requirement	Supplemental Information
RESET	Resets start gate and events counter circuits	
EVENTS		
Delay Count Range	0 to 99999	
Throughput Time	30 ns or less	
Delayed Trigger Out Pulse Width (max)		Up to 6 ns greater than the events pulse width
Amplitude	At least 1 V into 50 ohms	From +0.8 to +2.2 V into 3 TTL loads (approximately 5 mA)
Source Impedance		Logic 1 approximately 50 ohms Logic 0 approximately 200 ohms
TRIG'D Indicator	Indicates trigger out	

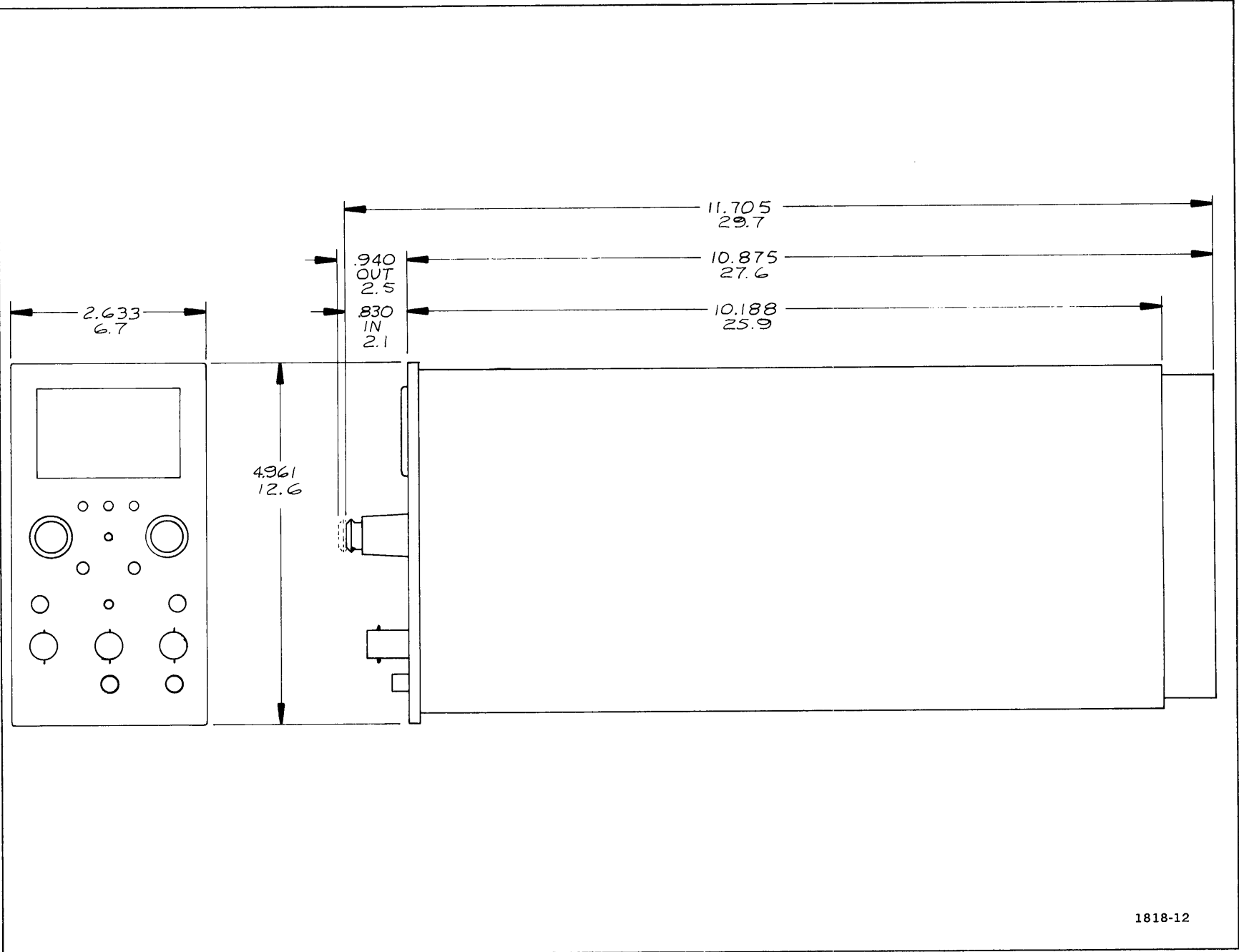
Physical Characteristics

Size	Fits all TM 500-Series power module plug-in compartments. (See Fig. 2-1.)	
Weight	716.5 grams (1.58 pounds)	

Environmental Characteristics

Refer to the specification for the associated power module.

Fig. 2-1. DD 501 Dimensional Drawing.



1818-12

THEORY OF OPERATION

INTRODUCTION

This section of the manual describes the circuitry used in the DD 501 Digital Delay. The description begins with a discussion of the instrument, using the block diagram shown in Section 7. Next, each major circuit is described, using the block diagram to show the relationship between stages in each major circuit. Detailed schematics of each circuit are located in the Diagrams section at the back of this manual; refer to these schematics throughout the following circuit description for specific electrical values and relationships.

BLOCK DIAGRAM DESCRIPTION

Trigger Circuit

The function of each block in the Events trigger circuit is identical to the function of the Start trigger circuit, therefore, only the Start portion of the Trigger circuit will be discussed.

A Start trigger signal is connected from an external source to the Start INPUT connector J120. The Start Trigger Preamp presents a high-impedance input and low-impedance output to the input trigger signal.

The low-impedance output trigger from the Start Trigger Preamp drives the Start Trigger Level Comparator. The front-panel LEVEL control in the comparator circuit selects a dc reference point on the trigger waveform. The dc reference voltage selected triggers the Start Schmitt Trigger circuit. The front-panel SLOPE switch selects the positive- or negative-going slope on the Schmitt square-wave trigger for the dc reference point.

Counter Circuit

The first trigger pulse to reach the Start Trigger enables the Least Significant Digit Counter circuit. This allows the counter to start counting the events pulses from the Events Delay circuit.

The EVENTS DELAY COUNT switch setting determines the number of events pulses to be counted. Assume an EVENTS DELAY COUNT switch setting of 00010 in the following discussion. The switch setting of 00010 programs the counters to 99989. After the first events pulse the four most significant digits are stored in the Most Significant Digits Latch. The Most Significant Digits Counter Reset generates a 50 nanosecond pulse and

resets the Most Significant Digits Counters. After 10 events pulses have been counted, the counters will be set at 99999. The eleventh events pulse transfers one count through the Final Count Detector to the Dly'd Trig Output Amplifier and resets the Least Significant Digit Counter. The Final Count Detector resets the Most Significant Digits Latch and the Start Trigger Gate. The counters and latches are now reset to 99989, ready to begin another count.

The Manual Reset circuitry allows the operator to clear and reset all counters and latches with a front-panel switch during a count cycle.

Power Supply and Triggering Indicator

The Start Trigger Lamp Multi is a 50 millisecond multivibrator which performs two functions. It allows the START TRIG'D indicator to remain on long enough for viewing during high-frequency start pulses and holds the START TRIG'D indicator on whenever the Start Trigger Gate is open.

The Events Delay circuit enables the Events Trigger Lamp Multi (50 millisecond multivibrator) to drive the EVENTS TRIG'D indicator.

The count output pulse from the Final Count Detector is amplified in the Dly'D Trig'd Output Amplifier. The Dly'd Trig'd Lamp Multi is a 50 millisecond multivibrator that enables the Dly'd Trig'd Lamp Driver to remain visible during high-frequency pulse output signals.

The +5 Volt Regulator supplies power for all integrated circuits and the POWER indicator.

The -15 Volt Regulator supplies power for all other circuit functions.

CIRCUIT OPERATION

Introduction

This section provides a detailed description of the electrical operation and relationship of the circuits in the DD 501. The theory of operation for circuits unique to this instrument is described in detail in this discussion. Circuits which are commonly used in the electronics industry are not described in detail. If more information is desired on these commonly used circuits, refer to the following textbooks:

Gordon V. Deboo, "Integrated Circuits and Semiconductor Devices", McGraw-Hill, New York, 1971.

Lloyd P. Hunter (Ed.), "Handbook of Semiconductor Electronics", third edition, McGraw-Hill, New York, 1970.

Jacob Millman and Herbert Taub, "Pulse, Digital, and Switching Waveforms", McGraw-Hill, New York, 1965.

TRIGGER CIRCUIT



NOTE

The Events input and Start input Trigger circuits are identical. Refer to the block diagram. Only the Start Input Trigger circuit is described in detail throughout the Trigger circuit discussion.

Start Trigger Preamp

Source followers Q128A, Q128B (matched FET's) and emitter follower Q130 compose this stage. Input signals to the preamp are dc coupled with a 1 megohm input resistance. Input protection diodes CR123 and CR126 clamp the gate of Q128A when the signal at the input connector exceeds approximately + or -5 volts. The dc level on the base of Q130 is set by Input Zero Set adjustment R129. The trigger output of Q130 provides drive to the base of trigger level comparator Q135.

Start Trigger Level Comparator

Differential comparator Q135, Q140 and emitter follower Q160 compose this stage. Trigger signals from Q130 drive the base of Q135. A dc reference voltage, established by divider network R166, R167, R168, and R169, is fed through LEVEL control R170 (or with R170 set fully clockwise into detent, through PRESET control R175) to the base of emitter follower Q160. The output of Q160 drives the base of Start Trigger Level Comparator Q140. The dc reference voltage level at the base of Q140 determines the dc voltage point on the signal at the base of

Q135 where the Start Schmitt, U144B, will generate a trigger. The LEVEL in/out pin jack allows the dc trigger point to be monitored externally.

Start Schmitt Trigger

Push-pull Schmitt Trigger U144B comprises this stage. Trigger signals are coupled from Q135 and Q140 to pins 9 and 10 of U144B. Input sensitivity (hysteresis) is established by resistor pairs R136, R144, R142, and R146. Resistors R144 and R146 provide feedback for U144B. The output from Schmitt trigger U144B provides drive to the inputs of slope selectors U144A and U144C.

Slope Selector

Signal gates U144A and U144C compose this stage. Pin 11 of U144A supplies a HI state signal to SLOPE switch S170. The minus slope output from pin 2 of U144A will occur only when pin 4 of U144A is at a HI state. The plus slope output from pin 15 of U144C will occur only when pin 13 of U144C is at a HI state.

The positive output signals from U44A and U44C drive the Events Trigger Delay circuit, pins 6 and 7 of U280B (SN B020530-up: Count Gate circuit, pin 5 of U273).

The positive output signals from U144A and U144C drive the Start Trigger Gate (pin 6 of U230A).

The TRIG VIEW connectors allow viewing of trigger outputs from the SLOPE switch.

COUNTER CIRCUIT



(SN B020530-up)

Block Description

As shown in Fig. 3-1, the method used to count Events is to pre-load the 9's complement of the desired event number into a set of counters, then increment the counters until each counter contains a 9. As an example, if it is desired to provide a delayed trigger output at the 4,512th Event after the selected Start pulse, the thumbwheels are set to 4512, but the BCD output from the thumbwheels into the counters would be 99999 — 04512 = 95487.

Three things are necessary to start the counters operating; a Start pulse, an Event pulse, and the RESET button must be pressed. Once the counters have been started, a new count cycle is initiated on the first Start pulse after the counters have reached the desired count.

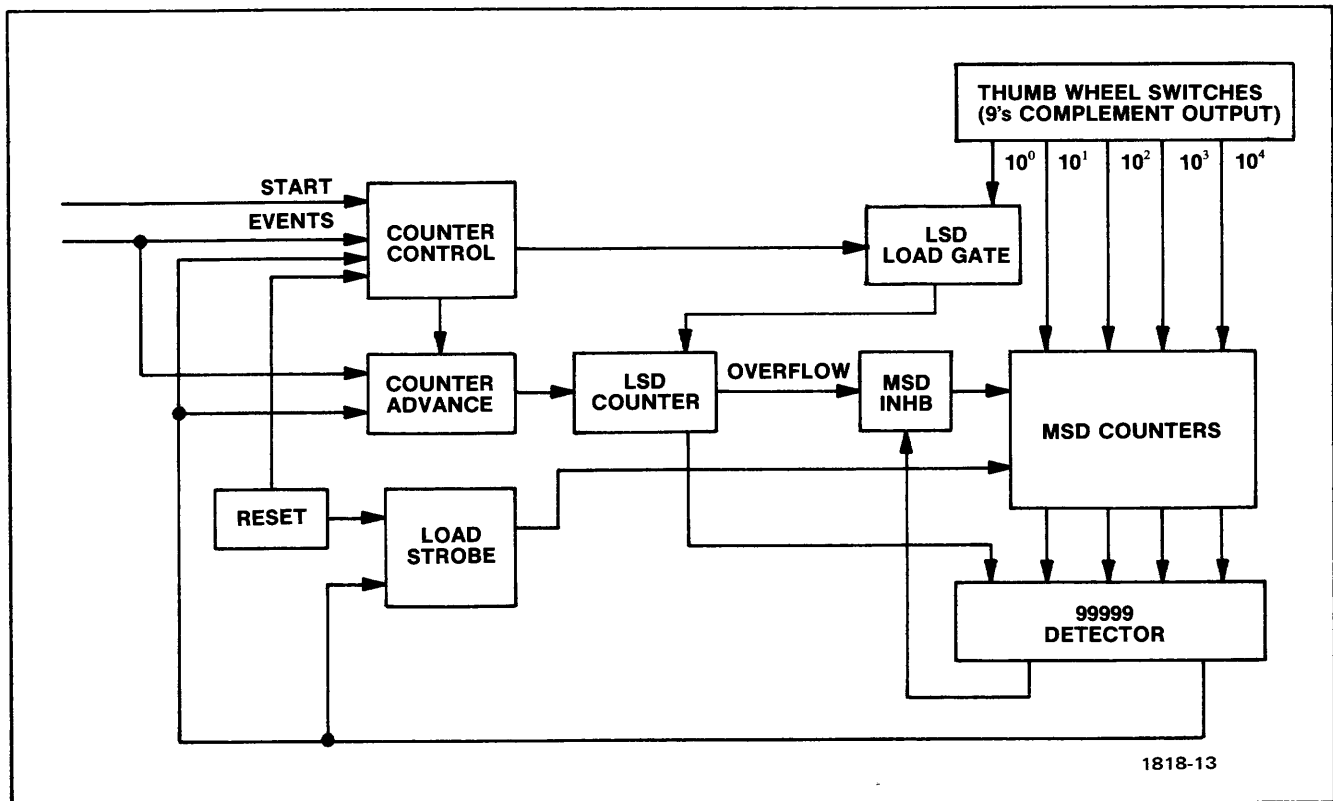


Fig. 3-1. Counter Control Block Diagram.

When the RESET button is pressed, the Load Strobe circuitry goes active and loads the thumbwheel outputs into the four MSD counters. Pressing RESET also activates the Counter Advance circuitry to the extent that the Counter Advance circuitry is activated, but the LSD load gates are not activated on the first counting cycle after the RESET button is pressed. During the first counting cycle, the number existing in the LSD counter at the time the RESET button is pressed is repeatedly incremented and the overflows increment the four MSD counters until the count in the MSD counters is 9999. At that point, the 99999 Detector circuitry inhibits any more overflows from the LSD counter to the MSD counters. The MSD thumbwheel outputs are now re-loaded into the MSD counters. The LSD counter continues to count Events until its count reaches 9; at this point the 99999 Detector circuitry signals the Counter Control circuitry to activate the LSD Load Gates to load the proper LSD. Thus, during the first counting cycle, the Delayed Trigger output can be off by as much as 8 events (except instruments SN B022222 and above, which will have no error in the first counting cycle), but at the end of the first counting cycle after the RESET button is pressed, the correct number is loaded into the LSD counter and all following counting cycles will deliver a delayed trigger pulse when the desired triggering event is reached.

Logic Description

When the RESET button is pressed, flipflop U230A (see Fig. 3-2) is reset and the low from its Q output inhibits AND gate U273A. Nothing more happens until a Start pulse is

received at the clock input of U230A. When the start pulse is received, U230A sets with its Q output going high. AND gate U210B remains inhibited because the 99999 Detector output from U210C is low, so flipflop U230B and the rest of the LSD Load circuitry remains inhibited during the first counting cycle after the RESET button is pressed. However, note that when U230A is set by the Start pulse, AND gate U273A is activated on each Event pulse and increments LSD counter U271 through AND gate U273B as long as 99999 is high (99999 remains high until all the counters are incremented to 9, or 1001 in BCD). Thus, during the first counting cycle after the RESET button is pressed, the Counter circuitry is incremented, but LSD Counter U271 does not get loaded with the 9's complement from the LSD thumbwheel. The first count cycle can be off by as much as 8 counts (except instruments SN B022222 and above, which will have no error in the first count cycle).

At the end of the first count cycle, the 99999 Detector activates AND gate U210B pin 6 (U230A has remained set since the Start pulse was received and is holding a high on U210B pin 7). With both of its inputs high, U210B is activated and the high from its output on pin 3 puts a high on the D inputs of flipflops U230B and U274. When the next Event pulse arrives, both flipflops set. The Q output of U230B clocks flipflop U232B, which sets. The Q output of U274 resets U230A, and inhibits U210B. At the same time, the Q output of U274 causes U274 to reset itself. The

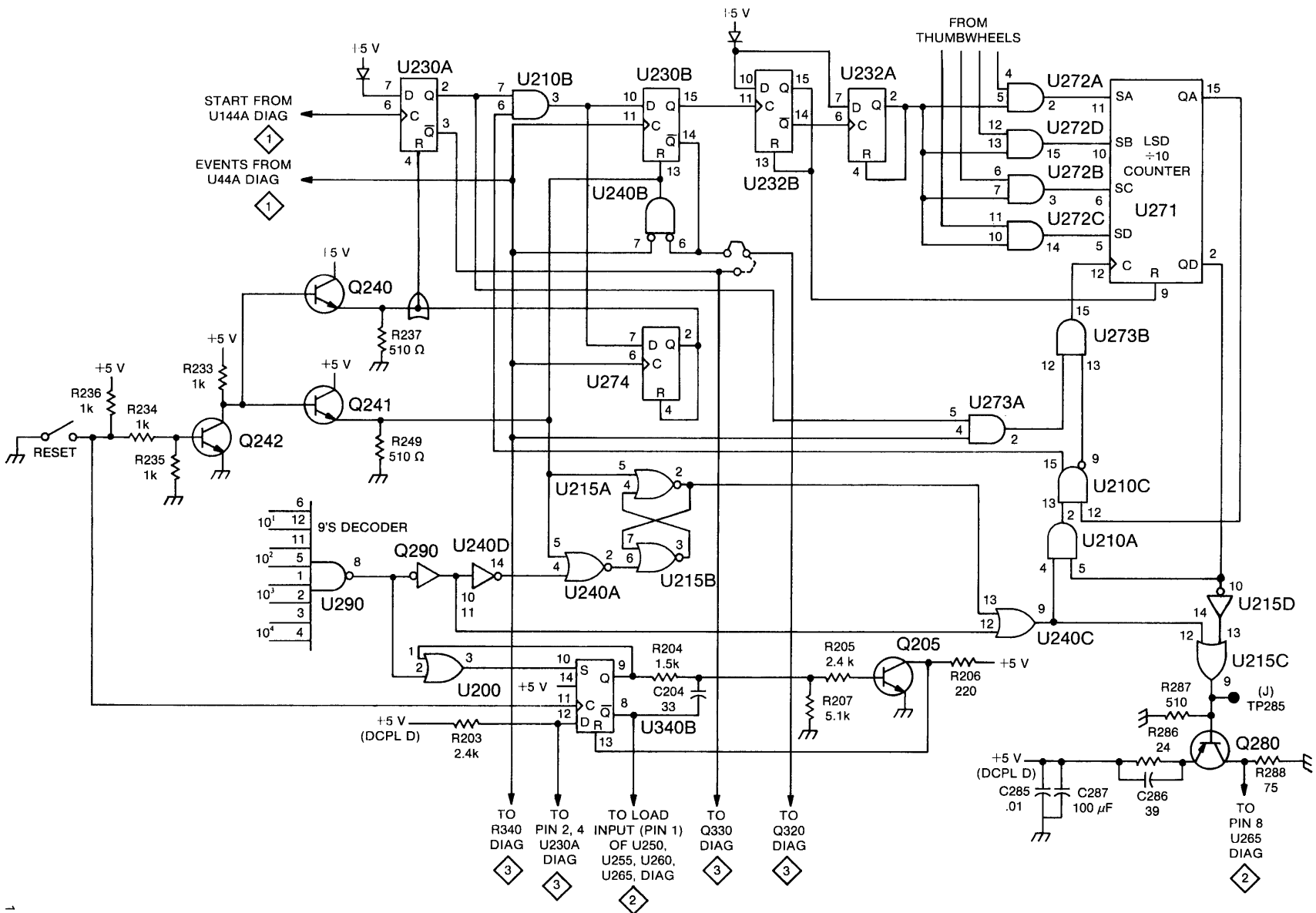


Fig. 3-2. Counter Control Logic Diagram.

1818-14

instant that the Event pulse goes low, U230B is reset by its own low Q output and the low Event signal, through NAND gate U240B.

When flipflop U232B is set by an Event pulse as explained in the preceding paragraph, it promptly resets itself with the high from its Q output. As it resets, the positive-going edge from its Q output sets flipflop U232A, which, in turn, activates the LSD Load gates in U272. U232A promptly resets itself with its own Q output, but has remained set long enough to load the LSD counter.

With the arrival of the second Start pulse, flipflop U230A again sets and enables AND gates U273A and U273B to pass the Event pulses to the LSD counter. This counting cycle and all following cycles (until RESET is again pressed) starts with the correct 9's complement loaded into the LSD counter.

When the count in the LSD counter reaches 1000_2 , the output on pin 2 of U271 goes high (see Fig. 3-2). The high from U271 pin 2 is inverted to a low by U215D and is applied to one input of OR gate U215C. Since the 9's decoder has not detected all 9s, its output is high, which causes pin 12 of U240C to be low; pin 13 of U240C is held low by flipflop U215A/B at this time. Therefore, the other input to U215C is a low from U240C, so the output of U215C goes low and biases transistor Q280 on. The output of U271 pin 2 remains high for 2 Events, then goes low; the resulting negative-going signal at the collector of Q280 increments U265, the 10^1 counter.

As each counter overflows, it increments the next. When the count reaches 99999, the output of U290 pin 8 goes low. The low from U290 causes the output of OR gate U200 to go low and set flipflop U340B. The Q output of U340B goes low and re-loads the thumbwheels into the four MSD counter. (After a delay determined by C204, transistor Q205 resets U340B.) The low from U290 is also inverted by Q290 and applied through inverter U240D to one input of NOR gate U240A. With lows on both its inputs, the output of U240A pin 2 goes high and resets the flipflop consisting of U215A and U215B. The output of U215A pin 2 goes high and (through OR gate U240C) activates AND gate U210A. The output of U210A pin 2 activates AND/NAND gate U210C, which firstly inhibits U273 and stops the Events from incrementing the LSD counter, and secondly enables AND gate U210B. U210B is now activated and the LSD is re-loaded as previously explained.

When U210B is activated, it puts a high on the D inputs of U230B and U274. U274 resets U230A and thereby removes the activating input from U210B. The Q output of U230B causes the LSD from the thumbwheels to be loaded into U271 as previously explained. The Q output of U230B activates negative-input NAND gate U240B, whose output

resets the flipflop consisting of U215A and U215B. The output of U240B also resets U230B.

With the counters re-loaded, the output of 99999 Detector U290 goes high. The high from U290, after inversion by Q290, removes the activating inputs from OR gate U240C and AND gate U210A. As a result, the inverted output of U210C goes high and enables U273D to pass Event pulses to increment the LSD counter. With the arrival of the next Start and Event pulses, AND gates U273A and U273D are again activated and pass the Event pulses to increment the LSD counter. Fig. 3-3 is a timing diagram of the events that occur during the processing of a count.

COUNTER CIRCUIT

(SN B020529 and below)

Start Trigger Gate

Flipflop U230A comprises this stage. A HI state at pin 4 of U230A produces a HI on pin 3 and disables counter U270. A plus trigger at pin 6 of U230A produces a LO on pin 3, thereby enabling counter U270 and inverter Q330.

Events Delay

Inverter U280B, NOR gate U280A and OR gate U280C compose this stage. Positive-going triggers from U44A or U44C drive pins 6 and 7 of U280B. A LO from pin 3 of U280B drives pin 4 of U280A and inverter Q320. Pin 5 of U280A is normally LO and is driven HI during counter reset. When pin 4 of U280A is LO, pin 12 of U280C is driven HI allowing the HI output from pin 9 to enable U240B, and U270 starts counting.

The overall delay through this stage is approximately 6 nanoseconds to ensure that the start trigger has occurred before the events are counted.

Least Significant Digit Counter

Programmed decade counter U270 comprises this stage. Pins 7, 10, and 13 determine the operation of the counter; pin 7 LO to preset, pin 10 LO to enable counting, and pin 13 (during a positive transition) to initiate a count. The front panel thumbwheel switch, S410E, loads the program input to pins 5, 6, 11, and 12 with a 9's complement in binary coded decimal form. The 9's complement of a number can be defined as the value that must be added to the number to yield 9. For example, the 9's complement of 7 is 2. When at a 9 count, pins 3 and 14 of U270 yield HI state outputs.

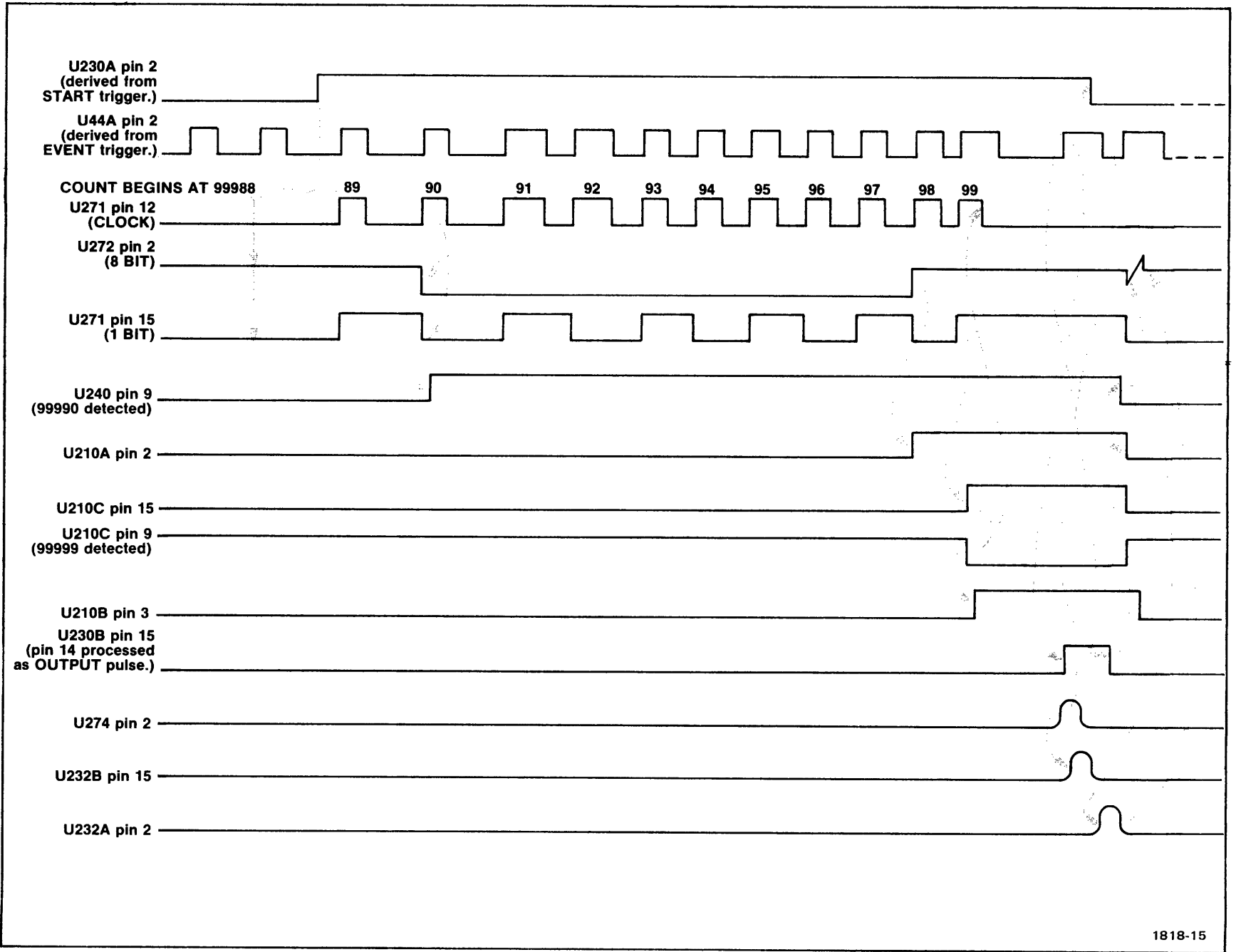


Fig. 3-3. Counter Control Timing.

Least Significant Digit Detector

AND gate U210C, an AND gate with an inverting output compose this stage. This stage detects only the BCD 9 count from the output of counter U270. When the most significant digits have all been counted, or there are none to be counted, pin 4 of U210A is driven HI. At an 8 count, pin 5 of U210A is driven HI, pin 2 drives pin 13 of U210C HI. At a 9 count pin 12 is driven HI and pin 9 drives pin 7 of U270 LO, thereby enabling pin 7 of the counter. Pin 15 of U210C drives pin 6 of U210B HI.

Carry Gate

Inverter U215D, OR gate U215C, and translator Q280 compose this stage. A LO state enables U215D and the resultant HI output enables pin 13 of U215C. With pin 12 of U215C LO, pin 9 drives the base of Q280 HI. With pin 12 HI, the signals at pin 13 will not pass on to the base of Q280. When the collector of Q280 goes LO, the negative-going LO triggers pin 8 of U265. Q280 takes the ECL level signal from pin 9 of U215C and provides an inverted, TTL compatible signal for U265.

Most Significant Digits Counters

Four programmed decade counters, U250, U255, U260, and U265 compose this stage. All four of the counting devices use pin 1 for preset, and pin 8 to increment the count on a falling (negative-going) LO. The front panel thumbwheel switch, S410A, B, C, D, and E provides the preset inputs to pins 4, 10, 3, and 11 with a 9's complement in binary coded decimal form. The 9's complement of a number can be defined as the value that must be added to the number to yield 9. For example, the 9's complement of 7 is 2. A 9 count produces a HI state on all pins 5 and 12.

Most Significant Digits Detector

Eight-input NAND gate U290 comprises this stage. This stage detects the BCD 9 count from the most significant digit counters. One or more inputs of U290 are driven LO by the most significant digits counters will produce a HI state at pin 8. When all inputs of U290 are driven HI, pin 8 of U290 enables pin 2 of U200 and sets the base of Q290 to a LO state.

Most Significant Digits Counter Reset

OR gate U200, monostable multivibrator U340B, and Q205 compose this stage. When U290 drives pin 2 of U200 LO, pin 3 places pin 10 of U340B LO. A HI state pulse from pin 9 of U340B sets pin 1 of U200 HI for approximately 50 nanoseconds, and the U200 50 nanosecond pulse sets pin 10 of U340B HI.

In the quiescent state, the collector of Q205 is HI with pin 9 LO and pin 8 HI of U340B. A positive-going trigger applied to pin 11 of U340B changes pin 8 LO and pin 9 HI.

With C204 charged positive at pin 8 (when the change of state occurs) the base of Q205 is placed at approximately -5 volts. With pin 9 HI, C204 is charged positive through R204 with a time constant of approximately 50 nanoseconds. When the junction of C204 and R204 charges to about $+0.6$ volt, Q205 is turned on. This places pin 13 of U340B LO, and resets U340B to the quiescent state.

Most Significant Digits Latch

Translator Q290, inverter U240D, OR gate U240C, and bistable multivibrator U240A, U215A, and U215B compose this stage. Pin 8 of U290 goes low, thereby setting pin 12 of U240C and pin 10, 11 of inverter U240D HI. Pin 9 of U240C goes to a HI state and enables U215C and U210A. Inverter U240D disables U240A with a LO state at pin 4 of U240A. The output of U240A enables U215B which drives the output of U215B LO and the output of U215A HI. The output of U215A will go LO as the input (pin 5) goes HI.

Final Count Detector

AND gate U210B, NOR gate U240B, and flipflop U230B compose this stage. AND gate U210B is enabled by the HI state output at pin 2 of U230A and pin 15 of U210C, thereby establishing a HI output to pin 10, U230B. Pin 6 of U240B is HI and pin 3 is LO and remains LO until an events trigger pulse drives pin 7 HI and the positive-going pulse triggers pin 11 of U230B. Flipflop U230B output changes state with the positive-going trigger to pin 11, driving pin 14 LO and pin 15 HI. The LO output to Q340 base is the delayed trigger output signal. The HI output from pin 15 of U230B resets start trigger gate U230A. When the negative-going transition of the events trigger pulse from U280C drives pin 7 of U240B LO, pin 3 output drives pin 13 of U230B HI, and resets U230B.

Manual Reset

Translator Q200, inverter U280D and buffer U210D compose this stage. Front panel pushbutton RESET switch S240 grounds LO for manual reset. A LO on pins 10 and 11 of U280D produces a reset pulse to pin 5 of U280A, pin 13 of U280C, pins 10 and 11 of U210D and the base of Q200. As the reset pulse from U280D drives the base of Q200 HI, the collector assumes a LO state. As the collector changes to HI, the positive-going HI triggers pin 11 of U340B. Pins 10 and 11 of U210D are driven HI and pin 14 resets U230A.

POWER SUPPLY & TRIGGER INDICATOR



Start Trigger Lamp Multivibrator

Inverter Q330 and monostable multivibrator U325B and Q335 compose this stage. When the base of Q330 is driven

Theory of Operation—DD 501

LO, the collector of Q330 assumes a HI state. The positive-going HI triggers U325B, and drives inverter U327A. A HI state pulse from pin 9 of U325B enables inverter U327C for approximately 50 milliseconds. The collector of Q330 remains HI until start trigger gate U230A is reset.

The quiescent state of multivibrator U325B and Q335 places U325B pin 8 HI and pin 9 LO. Capacitor C337 is charged positive at pin 8. A positive-going trigger to pin 11 changes the state of pin 8 and 9, placing the capacitor charge of approximately -5 volts on the base of Q335. Capacitor C325 charges to $+0.6$ volt through R337 at a time constant of approximately 50 milliseconds. The $+0.6$ volt charge enables Q335 and resets U325B to the quiescent state.

Start Trigger Lamp Driver

Inverters U327A and U327C compose this stage. A HI output from the collector of Q330 drives U327A and produces a LO output at pin 8. The LO output drives START TRIG'D indicator DS330 via CR337 and R338. The output of U327A remains LO until the collector of Q330 returns to a LO state. A HI output from pin 9 of U325B drives U327C and produces a LO output at pin 3. The LO output drives START TRIG'D indicator DS330 via CR336 and R338 for approximately 50 milliseconds. Diodes CR336 and CR337 provide isolation between the outputs of U327A and U327C.

Events Trigger Lamp Multi

Inverter Q320 and monostable multivibrator U325A and Q325 compose this stage. When the base of Q320 is driven LO, the collector of Q320 assumes a HI state. The positive-going HI triggers U325A at pin 3. A HI state pulse from pin 5 of U325A drives the input of U327B for approximately 50 milliseconds.

In the quiescent state, pin 8 of U325A is HI and pin 9 is LO. Capacitor C325 is charged positive at pin 6. A positive-going trigger to pin 3 changes the state of pin 5 and 6, which places the capacitor charge of approximately -5 volts on the base of Q325. Capacitor C325 charges to $+0.6$ volt through R326 at a time constant of approximately 50 milliseconds. The $+0.6$ volt charge enables C325 and resets U325A to the quiescent state.

Events Trigger Lamp Driver

Inverter U327B comprises this state. Input pins 4 and 5 are driven HI by U325A. Output pin 6 drives the EVENTS TRIG'D indicator DS320 LO.

Delayed Trigger Output Amplifier

Amplifier Q340 and emitter follower Q345 compose this stage. The delayed trigger pulse from U230B drives the base of Q340 LO. The collector of Q340 drives the base of Q345 HI. The resultant Q345 emitter HI state triggers U340A through pin 3 and a positive delayed trigger pulse is fed to J345.

Delay Trigger Lamp Multi

Monostable multivibrator U340A and Q348 compose this stage. A positive-going HI from Q345 triggers U340A at pin 3. The resultant HI output from pin 5 of U340A drives the input of U327D for approximately 50 milliseconds.

In the quiescent state, pin 6 of U340A is HI and pin 5 is LO. Capacitor C347 is charged positive at pin 6. A positive-going trigger to pin 3 changes the state of pins 5 and 6, which places the capacitor charge of approximately -5 volts on the base of Q348. Capacitor C347 charges to $+0.6$ volt through R346 at a time constant of approximately 50 milliseconds. The $+0.6$ volt charge enables Q348 and resets U340A to the quiescent state.

Dly'd Trig'd Lamp Driver

Inverter U327D composes this stage. Input pins 12 and 13 are driven HI by U340A. Output pin 11 drives DLY'D TRIG'D indicator DS340 LO.

+5 Volt Regulator

Monolithic voltage regulator U360 and crowbar (shorting device) Q366 compose this stage. Voltage regulator U360 provides an internal reference voltage at pin 6. The output voltage at pin 10 is determined by voltage divider R360 and R362 that sets the comparator input at pin 5. The output voltage from pin 10 is applied to the base of the series-pass transistor located on the mainframe of the power module.

The $+5$ volt output is sensed at the comparator, pin 4, which regulated the supply. Excessive current through R363 will limit current flow through the series-pass transistor if the voltage drop across pins 2 and 3 exceeds 0.6 volt. Over-voltage protection for the integrated circuits is provided by Q366 and VR366. Should the output voltage exceed $+6.2$ volts, VR366 will conduct and enable Q366 to open fuse F366.

-15 Volt Regulator

Monolithic voltage regulator U380 and crowbar (shorting device) Q386 compose this stage. Voltage regulator U380 has a reference voltage divider R380 and R382 at pin 5. Voltage divider R384 and R383 provide one-half the reference voltage to the comparator at pin 4. The output voltage is applied to the base of the series-pass transistor located in the mainframe of the power module. Output over-voltage protection is provided by Q386 and VR386. Should the output voltage exceed $+20$ volts, VR386 will conduct and enable Q386 to open fuse F386.

MAINTENANCE

INTRODUCTION

This section of the manual contains maintenance information applicable only to the DD 501. General system maintenance procedures are provided in the Power Module instruction manual, i.e., preventive maintenance, troubleshooting aids, parts removal and replacement procedures, parts ordering information, etc.

SERVICES AVAILABLE

Tektronix, Inc. provides complete instrument repair and calibration at local Field Service Centers and at the Factory Service Center. Contact your local Tektronix Field Office or representative for further information.

FUSE REPLACEMENT

TABLE 4-1
Fuse Ratings

Circuit	Rating	Function	Location
F366	2 A Fast	+5 Volts	Rear of circuit board
F386	0.5 A Fast	-15 Volts	Rear of circuit board

SEMICONDUCTOR REPLACEMENT

Periodic checks of the semiconductors in the DD 501 are not recommended. The best check of semiconductor performance is actual operation in the instrument; however, if it should become necessary to remove or replace the input FET's, Q28A and Q28B for the events input, or Q128A and Q128B for the start input, both transistors of the pair should be removed or replaced as a unit.

More details on checking semiconductor operation are given in the Power Module instruction manual.

TABLE 4-2

Rear Connector Pin Assignments

Pin Number	Left (A)	Right (B)
14 — 28	Not assigned	
12 — 13	See note below	
11	Base of PNP Series Pass	Collector of PNP Series Pass
10	Emitter of PNP Series Pass	
9	See note below	
8	-33.5 V filtered dc	-33.5 V filtered dc
7	Emitter of NPN Series Pass	Collector of NPN Series Pass
6	Base of NPN Series Pass	
5	See note below	
4	+11.5 V common return	+11.5 V common return
3	+11.5 V common return	+11.5 V common return
2	+11.5 V filtered dc	+11.5 V filtered dc
1	See note below	

NOTE: Not used by the DD 501. See Power Module manual for assignments.

REPACKAGING FOR SHIPMENT

If the Tektronix instrument is to be shipped to a Tektronix Service Center for service or repair, attach a tag showing: owner (with address) and the name of an individual at your firm that can be contacted. Include complete instrument serial number and a description of the service required.

Save and re-use the package in which your instrument was shipped. If the original packaging is unfit for use or not available, repackage the instrument as follows:

Surround the instrument with polyethylene sheeting to protect the finish of the instrument. Obtain a carton of corrugated cardboard of the correct carton strength and having inside dimensions of no less than six inches more than the instrument dimensions. Cushion the instrument by tightly packing three inches of dunnage or urethane foam between carton and instrument, on all sides. Seal carton with shipping tape or industrial stapler.

The carton test strength for your instrument is 200 pounds.

PERFORMANCE CHECK/CALIBRATION

PRELIMINARY INFORMATION

Calibration Interval

To ensure instrument accuracy, check the calibration of the DD 501 every 1000 hours of operation, or every 6 months if used infrequently. Before complete calibration, thoroughly clean and inspect this instrument as outlined in the Maintenance section of the TM 500-Series Power Module manual.

Tektronix Field Service

Tektronix, Inc. provides complete instrument repair and recalibration at local Field Service Centers and the Factory Service Center. Contact your local Tektronix Field Office or representative for further information.

Using This Procedure

Index. To aid in locating a step in the procedure, an index is given preceding the Performance Check/Calibration procedure.

Calibration. Completion of each step of the Performance Check/Calibration procedure ensures that the instrument is correctly adjusted and performing within all given tolerances. Where possible, instrument performance is checked before an adjustment is made. For best overall performance when performing a complete calibration, make each adjustment to the exact setting, even if the CHECK— is in tolerance.

Performance Check. The performance of this instrument can be checked without removing the covers or making internal adjustments by omitting the first four steps of the procedure.

Test Equipment Required

The test equipment and accessories listed in Table 5-1, or equivalent, are required for complete calibration of the

DD 501. Specifications given for the equipment are the minimum necessary for accurate calibration. Therefore, the equipment used must meet or exceed the listed specifications. Detailed operating instructions for the test equipment are not given in this procedure. Refer to the appropriate instruction manual if more information is needed.

If only a Performance Check is to be performed, not all of the listed test equipment is required. Items used only for calibration are indicated by footnote 1. The remaining pieces of equipment are common to both procedures.

Special Calibration Fixtures. Special Tektronix calibration fixtures are used only where they facilitate instrument calibration. These special calibration fixtures are available from Tektronix, Inc. Order by part number through your local Tektronix Field Office or representative.

Calibration Equipment Alternatives. All of the listed test equipment is required to completely check and calibrate this instrument. However, complete checking or calibration may not always be necessary or desirable. The user may be satisfied with checking only selected characteristics, thereby reducing the amount of test equipment actually required.

The Performance Check/Calibration procedure is based on the first item of equipment given as an example. When other equipment is substituted, control settings or calibration setup might need to be altered. If the exact item of equipment given as an example in the Test Equipment Required table is not available, first check the Specifications column carefully to see if any other equipment might suffice. Then check the Usage column to see what this item is used for. If used for a check or adjustment that is of little or no importance to your measurement requirements, the item and corresponding step(s) can be deleted.

TABLE 5-1
Test Equipment Required

Description	Minimum Specifications	Usage	Examples of Applicable Test Equipment
1. Test-oscilloscope system (dual-trace)	Bandwidth, dc to 65 MHz; minimum deflection factor, 50 mV/div; accuracy, within 3%.	Used throughout procedure as a waveform monitor.	a. Tektronix 465 Oscilloscope, with 2 each P6065A, 10X probes. b. Tektronix 7603 Oscilloscope with 7A26 Amplifier, 7B50 Time Base, and 2 each P6053B, 10X Probes.
2. Sine-wave generator	Output frequency range, 50 kHz to 100 MHz; output amplitude range, 0.030 V to 2 V.	Used throughout procedure as signal source.	a. Tektronix Type 191 Constant-Amplitude Signal Generator.
3. Square-wave generator	Output frequency range, 1 kHz to 100 kHz; output amplitude range, 0.5 V to 1 V.	Used throughout procedure as signal source.	a. Tektronix PG 501 Pulse Generator. b. Tektronix FG 501 Function Generator.
4. Digital counter	Frequency range, 0 to 1 MHz; accuracy, ± 1 count. Capable of ratio measurement.	Delay count accuracy check.	a. Tektronix DC 503 Universal Counter.
5. Power module	Tektronix TM 500-Series	Used throughout procedure to supply power to the DD 501.	a. Tektronix TM 503 Power Module.
6. Plug-in extension ¹	Tektronix TM 500- and 5000-Series plug-in extender.	Allows access to internal adjustments and test points in the DD 501.	a. Tektronix Part Number 067-0645-02 Calibration Fixture.
7. Input RC normalizer	Time constant, 1 M Ω X 20 pF; connector, BNC.	Used to normalize the start and events input RC product.	a. Tektronix Part Number 067-0538-00 Calibration Fixture.
8. Dual input coupler	Connectors, BNC; cable lengths, matched within 0.1 inch.	Insertion of identical signals to two inputs simultaneously.	a. Tektronix Part Number 067-0525-00 Calibration Fixture.
9. Termination (2 each)	Impedance, 50 Ω ; accuracy, $\pm 2\%$; connectors, BNC.	Used throughout procedure to properly terminate output signals.	a. Tektronix Part Number 011-0049-01.
10. Adapter	Probe tip to BNC male. Compatible with P6053B and P6065A probes.	Trigger sensitivity check.	a. Tektronix Part Number 013-0084-01.
11. Adapter	T connector; connectors, BNC.	Delay count accuracy check. Recycle rate and throughput time check.	a. Tektronix Part Number 103-0030-00.

¹Used for calibration only. NOT used for performance check.

TABLE 5-1 (cont)

Description	Minimum Specifications	Usage	Examples of Applicable Test Equipment
12. Cable	Impedance, 50 Ω ; type, RG-58A/U; length, 18 inches; connectors, BNC.	Used throughout procedure for signal interconnection.	a. Tektronix Part Number 012-0057-01.
13. Cable (2 each)	Impedance, 50 Ω ; type, RG-58A/U; length, 18 inches; connectors, BNC.	Used throughout procedure for signal interconnection.	a. Tektronix Part Number 012-0076-00.
14. Alignment tool ¹	Low capacitance.	Adjustment of Input Compensation capacitors.	a. Tektronix Part Number 003-0003-00.
15. Screwdriver ¹	3 inch shaft, 3/32 inch bit.	Adjustment of variable input zero set resistors.	a. Xcelite R-3323.
16. Hex-key wrench ¹	1/16 inch, L type.	Adjustment of LEVEL control knobs.	a. Tektronix Part Number 003-0106-00.

¹Used for calibration only. NOT used for performance check.

INDEX TO PERFORMANCE CHECK/CALIBRATION

Start and Events

- | | |
|-------------------------------------|----------|
| 1. Adjust Start Trigger Level Zero | Page 5-4 |
| 2. Adjust Events Trigger Level Zero | Page 5-4 |
| 3. Adjust Start Input Compensation | Page 5-5 |
| 4. Adjust Events Input Compensation | Page 5-5 |

Start and Events Triggering

- | | |
|--|----------|
| 5. Check Trigger Slope Output | Page 5-6 |
| 6. Check Trigger Level and Preset Range | Page 5-6 |
| 7. Check Trigger Sensitivity | Page 5-6 |
| 8. Check Frequency Response and Output Amplitude | Page 5-7 |
| 9. Check Minimum Input Pulse Width Triggering | Page 5-7 |
| 10. Check Throughput Time and Recycle Rate | Page 5-7 |
| 11. Check Delay Count Accuracy | Page 5-8 |

PRELIMINARY PROCEDURE

NOTE

The performance of this instrument can be checked at any ambient temperature within the +20° C to +30° C range unless stated otherwise.

If only the performance is to be checked, disregard step 1, and delete the Plug-In Extension in step 2.

1. Remove both side covers from DD 501.
2. Connect DD 501 to Power Module through Plug-In Extension.
3. Apply power to Power Module. Check that POWER indicator on DD 501 is lit.
4. Set controls as given under Control Settings preceding the desired section. Allow at least 20 minutes warmup before proceeding with the first section.

NOTE

If a malfunction is detected during adjustment, refer to system maintenance in the Power Module instruction manual for troubleshooting techniques, parts removal and replacement procedures, parts ordering information, etc.

Titles for external controls of this instrument are capitalized in this procedure (e.g., RESET). Internal adjustments are initial capitalized only (e.g., Input Zero Set).

START AND EVENTS INPUT

Equipment Required

- | | |
|-----------------------------|--------------------------|
| 1. Test oscilloscope system | 7. Square-wave generator |
| 2. Power module | 8. Termination |
| 3. Plug-in extension | 9. Input RC normalizer |
| 4. Sine-wave generator | 10. Alignment tool |
| 5. Cable | 11. Screwdriver |
| 6. Dual input coupler | |

Before you begin, see

ADJUSTMENT LOCATOR

in the Diagrams section.

Control Settings

Set the DD 501 controls as follows:

EVENTS DELAY COUNT	00000
EVENTS	
SLOPE	IN: +
LEVEL	0 (midrange)
PRESET	Midrange
START	
SLOPE	IN: +
LEVEL	0 (midrange)
PRESET	Midrange

g. Set the START LEVEL knob for 0 volt dc (within 15 millivolts) at the START LEVEL IN/OUT JACK. Connect a 30 millivolt (peak-to-peak), 50 kilohertz signal from sine-wave generator through a 50 ohm termination and dual-input coupler to EVENTS and START INPUT connectors.

h. Disconnect probe from START LEVEL IN/OUT jack.

i. Set test oscilloscope deflection factor for 500 millivolts/division with 10X probe.

j. Connect 10X probe to START TRIG VIEW connector.

k. CHECK—For square-wave display with START LEVEL control still set to 0.

l. ADJUST—Start Input Zero Set adjustment (R129) for symmetrical square wave at START TRIG VIEW connector.

m. Disconnect all signal connections from DD 501.

1. Adjust Start Trigger Level Zero

a. Set the test oscilloscope deflection factor for 50 millivolts/division with 10X probe (dc coupled) and for 10 microseconds/division sweep rate.

b. Set test oscilloscope for ground (0 volt) reference at center graticule line.

c. Connect test oscilloscope 10X probe to START LEVEL IN/OUT pin jack and probe ground strap to chassis ground.

d. Set START LEVEL control to 0.

e. CHECK—That voltage at START LEVEL IN/OUT jack is within 60 millivolts (1.2 divisions) of 0 volt (graticule center).

f. ADJUST—Loosen setscrew in START LEVEL knob and adjust knob to indicate 0 when set for 0 volt at START LEVEL IN/OUT jack.

2. Adjust Events Trigger Level Zero

a. Set test oscilloscope deflection factor for 50 millivolts/division with 10X probe (dc coupled) and for 10 microseconds/division sweep rate.

b. Set test oscilloscope for ground (0 volt) reference at center graticule line.

c. Connect test oscilloscope 10X probe to EVENTS LEVEL IN/OUT pin jack and probe ground strap to chassis ground.

Performance Check/Calibration—DD 501

- d. Set EVENTS LEVEL control to 0.
- e. CHECK—That voltage at EVENTS LEVEL IN/OUT jack is within 60 millivolts (1.2 divisions) of 0 volt (graticule center).
- f. ADJUST—Loosen setscrew in EVENTS LEVEL knob and adjust knob to indicate 0 when set for 0 volt at EVENTS LEVEL IN/OUT jack.
- g. Set the EVENTS LEVEL knob for 0 volt (within 15 millivolts) at the EVENTS LEVEL IN/OUT jack. Connect a 30 millivolt (peak-to-peak), 50 kilohertz signal from sine-wave generator through a 50 ohm termination and dual-input coupler to EVENTS and START INPUT connectors.
- h. Disconnect probe from EVENTS LEVEL IN/OUT jack.
- i. Set test oscilloscope for 500 millivolts/division sensitivity with 10X probe.
- j. Connect 10X probe to EVENTS TRIG VIEW connector.
- k. CHECK—For square-wave display with EVENTS LEVEL control still set to 0.
- l. ADJUST—Events Input Zero Set adjustment (R29) for symmetrical square wave at EVENTS TRIG VIEW connector.

- m. Disconnect all signal connections from DD 501.

3. Adjust Start Input Compensation

- a. Connect a 1 volt, 500 hertz signal from square-wave generator, through a 50 ohm termination and input RC normalizer to START INPUT connector.
- b. Connect 10X probe from test oscilloscope vertical to test point TP130 (L) on Digital Delay circuit board. (Refer to Fig. 7-6.)
- c. Set test oscilloscope to display several cycles of signal with approximately 4 divisions of amplitude.
- d. ADJUST—Start Input Comp adjustment C122 for optimum square corner and flat top on displayed waveform (use alignment tool).

4. Adjust Events Input Compensation

- a. Move input RC normalizer to EVENTS INPUT connector.
- b. Move 10X probe to test point TP30 (K) on Digital Delay circuit board. (Refer to Fig. 7-6.)
- c. ADJUST—Events Input Comp adjustment C22 for optimum square corner and flat top on displayed waveform (use alignment tool).
- d. Disconnect all signal connections from DD 501.

START AND EVENTS TRIGGERING

Equipment Required

- | | |
|---|-------------------------------|
| 1. Test oscilloscope system | 6. Termination (2 required) |
| 2. Power module | 7. Screwdriver |
| 3. Sine-wave generator | 8. Adapter (BNC to probe tip) |
| 4. Cable (2 18-inch and 1 42-inch required) | 9. Digital counter |
| 5. Dual input coupler | 10. Adapter (BNC T) |

Before you begin, see

ADJUSTMENT LOCATOR

in the Diagrams section.

Control Settings

Set the DD 501 controls as follows:

EVENTS DELAY COUNT	00000
EVENTS	
SLOPE	IN: +
LEVEL	0 (midrange)
PRESET	Midrange
START	
SLOPE	IN: +
LEVEL	0 (midrange)
PRESET	Midrange

5. Check Trigger Slope Output

- Connect a 100 millivolt, 50 kilohertz signal from sine-wave generator through a 50 ohm termination and dual input coupler to EVENTS and START INPUT connectors.
- Connect 10X probe from test oscilloscope to START TRIG VIEW probe connector.
- Set START LEVEL control to display a non-symmetrical square wave on test oscilloscope.
- CHECK—That square-wave display inverts when START SLOPE switch is pulled out (OUT: -).
- CHECK—That display amplitude is at least 0.5 volt.
- Move 10X probe to EVENTS TRIG VIEW probe connector.
- Set EVENTS LEVEL control to display a non-symmetrical square wave on test oscilloscope.

h. CHECK—That square-wave display inverts when EVENTS SLOPE switch is pulled out (OUT: -).

i. Disconnect 10X probe from DD 501.

6. Check Trigger Level and Preset Range

- Connect a 2 volt, 50 kilohertz signal from sine-wave generator through a 50 ohm termination and dual input coupler to EVENTS and START INPUT connectors.
- CHECK—That START TRIG'D and DLY'D TRIG OUT TRIG'D indicators extinguish at fully clockwise and counterclockwise positions of START LEVEL control.
- Set START LEVEL control to PRESET (fully clockwise into detent).
- CHECK—That START TRIG'D and DLY'D TRIG OUT TRIG'D indicators extinguish at fully clockwise and counterclockwise positions of the PRESET adjustment.
- Repeat parts b through d for EVENTS LEVEL control and PRESET adjustment.
- Disconnect all signal connections from DD 501.

7. Check Triggering Sensitivity

a. Set controls as follows:

EVENTS DELAY COUNT	00000
EVENTS	
SLOPE	IN: +
LEVEL	Midrange
START	
SLOPE	IN: +
LEVEL	Midrange

Controls not mentioned can be set as desired.

Performance Check/Calibration—DD 501

b. Connect a 120 millivolt, 65 megahertz signal from sine-wave generator through a BNC T connector to START INPUT connector.

c. Connect BNC probe tip adapter through 50 ohm termination to open end of BNC T connector.

d. Connect 10X probe from one vertical channel of test oscilloscope to BNC probe tip adapter. Connect 10X probe from other channel of test oscilloscope to START TRIG VIEW probe connector.

e. Set test oscilloscope to display several cycles of both input signals.

f. CHECK—That START TRIG'D light is on and remains on as START LEVEL control is rotated from fully clockwise to counterclockwise positions. Push RESET button and check that START TRIG'D indicator extinguishes.

g. Set START LEVEL control to display a triggered signal on test oscilloscope crt.

h. CHECK—That START TRIG'D indicator is on and the two displayed sine-wave signals are of equal frequency.

i. Move BNC T connector and associated connections to EVENTS INPUT connector. Move 10X probe to EVENTS TRIG VIEW probe connector.

j. CHECK—That EVENTS TRIG'D light is on when EVENTS LEVEL control is set for triggered display at maximum amplitude on crt.

k. Disconnect all signal connections from DD 501.

8. Check Frequency Response and Output Amplitudes

a. Connect a 120 millivolt, 40 megahertz signal from sine-wave generator through a 50 ohm termination and dual input coupler to START and EVENTS INPUTS connectors.

b. Set EVENTS DELAY COUNT switch to 00000.

c. Connect DLY'D TRIG OUT connector through 50 ohm termination to test oscilloscope vertical input.

d. CHECK—That all TRIG'D indicators are on to indicate proper triggering when EVENTS and START LEVEL controls are set for a triggered display on test oscilloscope. (DLY'D TRIG OUT signal frequency should be half of EVENTS INPUT frequency at 40 megahertz.)

e. CHECK—That amplitude of DLY'D TRIG OUT display on crt is at least 1 volt.

9. Check Minimum Input Pulse Width Triggering

a. Connect a 200 millivolt, 100 megahertz signal from sine-wave generator through a 50 ohm termination and dual input coupler to EVENTS and START INPUT connectors.

b. CHECK—That EVENTS TRIG'D, START TRIG'D, and DLY'D TRIG indicators can be lit simultaneously by setting START and EVENTS LEVEL controls.

c. Disconnect all signal connections from DD 501.

10. Check Throughput Time and Recycle Rate

a. Connect equipment as shown in Fig. 5-1.

b. Set square-wave generator for 0.5 volt, 500 kilohertz output signal.

c. Set START and EVENTS LEVEL controls to produce a delayed trigger output which matches input frequency (monitored on test oscilloscope crt).

d. Center both displays on crt and set sweep rate to 5 nanoseconds/division.

e. CHECK—Time difference between two pulses (at 50% level) for less than 30 nanoseconds. Refer to Fig. 5-2.

f. Disconnect cable from pulse generator and connect to sine-wave generator.

g. Set sine-wave generator for a 1 volt, 20 megahertz output signal.

h. CHECK—That input-to-output frequency ratio can be set to 1:1 using START and EVENTS LEVEL controls.

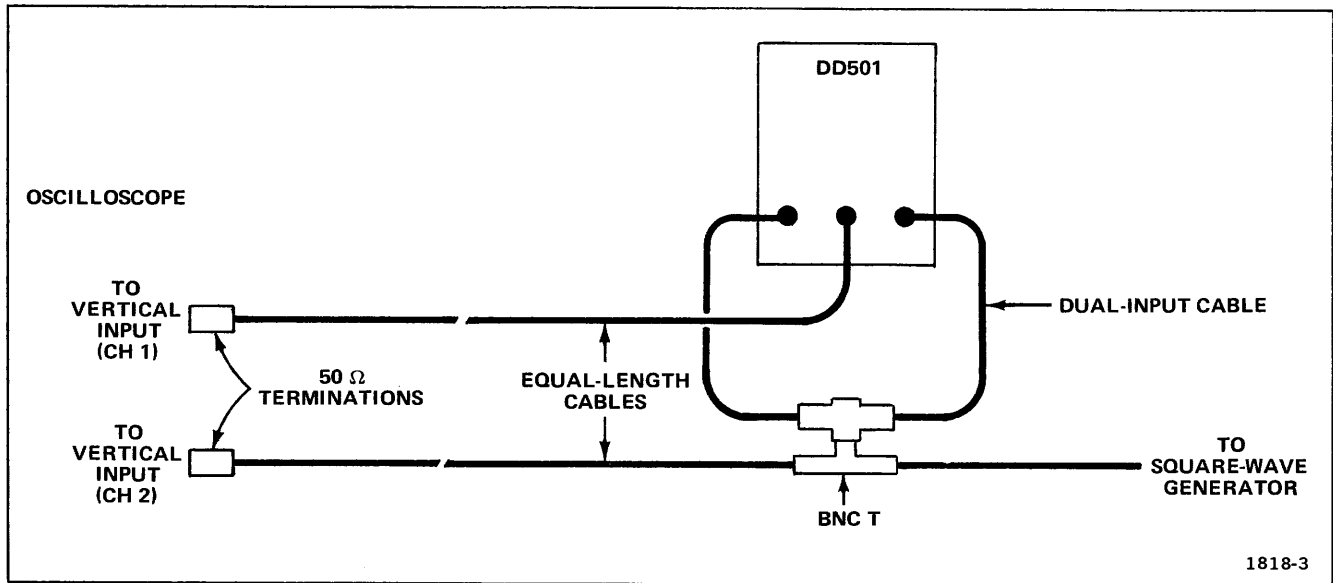


Fig. 5-1. Throughput time test setup.

11. Check Delay Count Accuracy

a. Set controls as follows for DD 501:

EVENTS DELAY COUNT	00000
EVENTS	
SLOPE	IN: +
START	
SLOPE	IN: +

NOTE

If counter display is unstable, set the counter to average the ratio measurement over 10 cycles.

b. Connect equipment as shown in Fig. 5-3.

c. Set sine-wave generator for 0.5 volt, 1 megahertz output signal.

d. Set START and EVENTS LEVEL controls to produce a delayed trigger output as indicated when all TRIG'D indicators are illuminated.

e. Set digital counter to measure ratio (input frequency divided by DLY'D TRIG OUT frequency) between its two inputs.

f. CHECK—That digital counter displays indicated digit plus 1 (i.e., 0 through 9 will display 1 through 10 when least significant digit on EVENTS DELAY COUNT switch is rotated throughout its range (0 through 9). Repeat check for each of 5 decades.

This completes the Performance Check/Calibration Procedure for the DD 501.

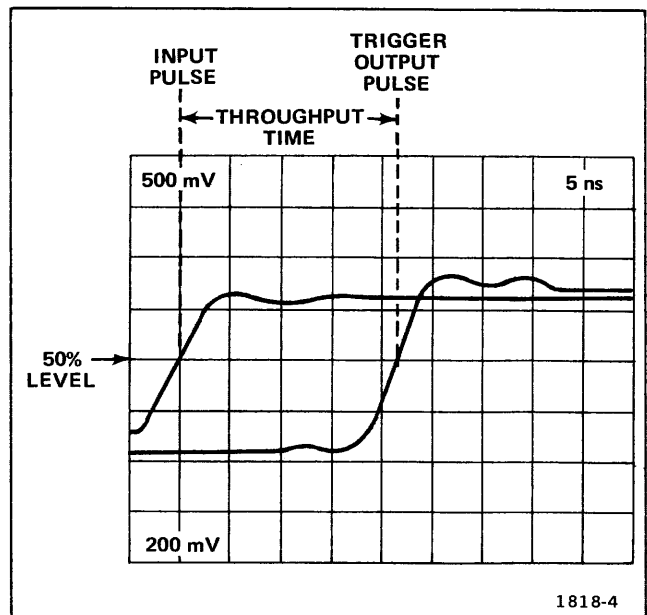


Fig. 5-2. Simulated display of the time relationship between the input and the delayed trigger output signals.

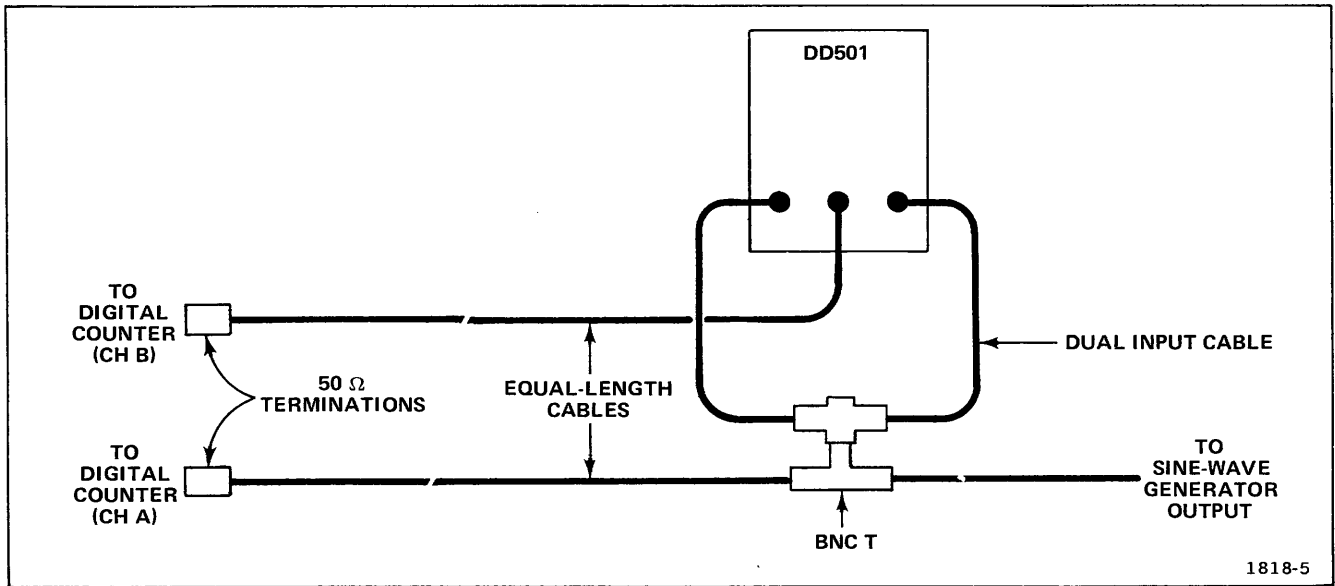


Fig. 5-3. Delay count accuracy test setup.

REPLACEABLE ELECTRICAL PARTS

PARTS ORDERING INFORMATION

Replacement parts are available from or through your local Tektronix, Inc. Field Office or representative.

Changes to Tektronix instruments are sometimes made to accommodate improved components as they become available, and to give you the benefit of the latest circuit improvements developed in our engineering department. It is therefore important, when ordering parts, to include the following information in your order: Part number, instrument type or number, serial number, and modification number if applicable.

If a part you have ordered has been replaced with a new or improved part, your local Tektronix, Inc. Field Office or representative will contact you concerning any change in part number.

Change information, if any, is located at the rear of this manual.

SPECIAL NOTES AND SYMBOLS

X000 Part first added at this serial number
00X Part removed after this serial number

ITEM NAME

In the Parts List, an Item Name is separated from the description by a colon (:). Because of space limitations, an Item Name may sometimes appear as incomplete. For further Item Name identification, the U.S. Federal Cataloging Handbook H6-1 can be utilized where possible.

ABBREVIATIONS

ACTR	ACTUATOR	PLSTC	PLASTIC
ASSY	ASSEMBLY	QTZ	QUARTZ
CAP	CAPACITOR	RECP	RECEPTACLE
CER	CERAMIC	RES	RESISTOR
CKT	CIRCUIT	RF	RADIO FREQUENCY
COMP	COMPOSITION	SEL	SELECTED
CONN	CONNECTOR	SEMICOND	SEMICONDUCTOR
ELCTLT	ELECTROLYTIC	SENS	SENSITIVE
ELEC	ELECTRICAL	VAR	VARIABLE
INCAND	INCANDESCENT	WW	WIREWOUND
LED	LIGHT EMITTING DIODE	XFMR	TRANSFORMER
NONWIR	NON WIREWOUND	XTAL	CRYSTAL

CROSS INDEX—MFR. CODE NUMBER TO MANUFACTURER

Mfr. Code	Manufacturer	Address	City, State, Zip
01121	ALLEN-BRADLEY COMPANY	1201 2ND STREET SOUTH	MILWAUKEE, WI 53204
01295	TEXAS INSTRUMENTS, INC., SEMICONDUCTOR GROUP	P O BOX 5012, 13500 N CENTRAL EXPRESSWAY	DALLAS, TX 75222
04222	AVX CERAMICS, DIVISION OF AVX CORP.	P O BOX 867, 19TH AVE. SOUTH	MYRTLE BEACH, SC 29577
04713	MOTOROLA, INC., SEMICONDUCTOR PROD. DIV.	5005 E MCDOWELL RD, PO BOX 20923	PHOENIX, AZ 85036
07263	FAIRCHILD SEMICONDUCTOR, A DIV. OF FAIRCHILD CAMERA AND INSTRUMENT CORP.	464 ELLIS STREET	MOUNTAIN VIEW, CA 94042
08806	GENERAL ELECTRIC CO., MINIATURE LAMP PRODUCTS DEPARTMENT	NELA PARK	CLEVELAND, OH 44112
13511	AMPHENOL CARDRE DIV., BUNKER RAMO CORP.		LOS GATOS, CA 95030
15238	ITT SEMICONDUCTORS, A DIVISION OF INTER NATIONAL TELEPHONE AND TELEGRAPH CORP.	P.O. BOX 168, 500 BROADWAY	LAWRENCE, MA 01841
23880	STANFORD APPLIED ENGINEERING, INC.	340 MARTIN AVE.	SANTA CLARA, CA 95050
24546	CORNING GLASS WORKS, ELECTRONIC COMPONENTS DIVISION	550 HIGH STREET	BRADFORD, PA 16701
27014	NATIONAL SEMICONDUCTOR CORP.	2900 SEMICONDUCTOR DR.	SANTA CLARA, CA 95051
32997	BOURNS, INC., TRIMPOT PRODUCTS DIV.	1200 COLUMBIA AVE.	RIVERSIDE, CA 92507
51642	CENTRE ENGINEERING INC.	2820 E COLLEGE AVENUE	STATE COLLEGE, PA 16801
56289	SPRAGUE ELECTRIC CO.	87 MARSHALL ST.	NORTH ADAMS, MA 01247
59660	TUSONIX INC.	2155 N FORBES BLVD	TUCSON, AZ 85705
71279	CAMBRIDGE THERMIONIC CORP.	445 CONCORD AVE.	CAMBRIDGE, MA 02138
71400	BUSSMAN MFG., DIVISION OF MCGRAW-EDISON CO.	2536 W. UNIVERSITY ST.	ST. LOUIS, MO 63107
72982	ERIE TECHNOLOGICAL PRODUCTS, INC.	644 W. 12TH ST.	ERIE, PA 16512
73138	BECKMAN INSTRUMENTS, INC., HELIPOT DIV.	2500 HARBOR BLVD.	FULLERTON, CA 92634
76493	BELL INDUSTRIES, INC., MILLER, J. W., DIV.	19070 REYES AVE., P O BOX 5825	COMPTON, CA 90224
80009	TEKTRONIX, INC.	P O BOX 500	BEAVERTON, OR 97077
80031	ELECTRA-MIDLAND CORP., MEPCO DIV.	22 COLUMBIA ROAD	MORRISTOWN, NJ 07960
81073	GRAYHILL, INC.	561 HILLGROVE AVE., PO BOX 373	LA GRANGE, IL 60525
91637	DALE ELECTRONICS, INC.	P. O. BOX 609	COLUMBUS, NE 68601

Ckt No.	Tektronix Part No.	Serial/Model No. Eff	Dscont	Name & Description	Mfr Code	Mfr Part Number
A1	670-3056-00	B010100	B019999	CKT BOARD ASSY:MAIN	80009	670-3056-00
A1	670-3056-01	B020000	B021179	CKT BOARD ASSY:MAIN	80009	670-3056-01
A1	670-3056-02	B021180	B021669	CKT BOARD ASSY:MAIN	80009	670-3056-02
A1	670-3056-03	B021670		CKT BOARD ASSY:MAIN	80009	670-3056-03
A2	670-4316-00	XB020000	B021179	CKT BOARD ASSY:COUNTER SIDE	80009	670-4316-00
A2	670-4316-01	B021180	B021250	CKT BOARD ASSY:COUNTER SIDE	80009	670-4316-01
A2	670-4316-02	B021251	B022221	CKT BOARD ASSY:COUNTER SIDE	80009	670-4316-02
A2	670-4316-03	B022222		CKT BOARD ASSY:COUNTER SIDE	80009	670-4316-03
C22	281-0212-00	B010100	B021919	CAP.,VAR,PLSTC:1.5-5.5PF,100V	80031	2807C1406MM02F
C22	283-0202-00	B021920		CAP.,FXD,CER DI:22PF,10%,50V	51642	RB055-050Y5R220K
C23	283-0001-00			CAP.,FXD,CER DI:0.005UF,+100-0%,500V	72982	831-559E502P
C25	283-0220-00			CAP.,FXD,CER DI:0.01UF,20%,50V	72982	8121N075X7R0103M
C26	283-0220-00			CAP.,FXD,CER DI:0.01UF,20%,50V	72982	8121N075X7R0103M
C29	283-0220-00			CAP.,FXD,CER DI:0.01UF,20%,50V	72982	8121N075X7R0103M
C33	283-0220-00			CAP.,FXD,CER DI:0.01UF,20%,50V	72982	8121N075X7R0103M
C34	281-0511-00			CAP.,FXD,CER DI:22PF,+/-2.2PF,500V	59660	301-000C0G0220K
C35	283-0251-00	B010100	B019999	CAP.,FXD,CER DI:87 PF,5%,100V	72982	8121B145C0G0870J
C35	283-0299-00	B020000		CAP.,FXD,CER DI:51PF,5%,500V	72982	8121N501C0G510J
C36	283-0220-00			CAP.,FXD,CER DI:0.01UF,20%,50V	72982	8121N075X7R0103M
C40	283-0220-00			CAP.,FXD,CER DI:0.01UF,20%,50V	72982	8121N075X7R0103M
C53	290-0534-00			CAP.,FXD,ELCLT:1UF,20%,35V	56289	196D105X0035HA1
C57	283-0220-00			CAP.,FXD,CER DI:0.01UF,20%,50V	72982	8121N075X7R0103M
C64	283-0220-00			CAP.,FXD,CER DI:0.01UF,20%,50V	72982	8121N075X7R0103M
C69	283-0220-00			CAP.,FXD,CER DI:0.01UF,20%,50V	72982	8121N075X7R0103M
C122	281-0212-00	B010100	B021919	CAP.,VAR,PLSTC:1.5-5.5PF,100V	80031	2807C1406MM02F
C122	281-0202-00	B021920		CAP.,VAR,PLSTC:1.5-5.5PF,100V	80031	2807C1R406MM02F
C123	283-0001-00			CAP.,FXD,CER DI:0.005UF,+100-0%,500V	72982	831-559E502P
C125	283-0220-00			CAP.,FXD,CER DI:0.01UF,20%,50V	72982	8121N075X7R0103M
C126	283-0220-00			CAP.,FXD,CER DI:0.01UF,20%,50V	72982	8121N075X7R0103M
C128	283-0220-00			CAP.,FXD,CER DI:0.01UF,20%,50V	72982	8121N075X7R0103M
C134	281-0511-00			CAP.,FXD,CER DI:22PF,+/-2.2PF,500V	59660	301-000C0G0220K
C135	283-0251-00	B010100	B019999	CAP.,FXD,CER DI:87 PF,5%,100V	72982	8121B145C0G0870J
C135	283-0154-00	B020000		CAP.,FXD,CER DI:22PF,5%,50V	72982	8111B061C0G220J
C136	283-0220-00			CAP.,FXD,CER DI:0.01UF,20%,50V	72982	8121N075X7R0103M
C140	283-0220-00			CAP.,FXD,CER DI:0.01UF,20%,50V	72982	8121N075X7R0103M
C153	290-0534-00			CAP.,FXD,ELCLT:1UF,20%,35V	56289	196D105X0035HA1
C156	283-0220-00			CAP.,FXD,CER DI:0.01UF,20%,50V	72982	8121N075X7R0103M
C164	283-0220-00			CAP.,FXD,CER DI:0.01UF,20%,50V	72982	8121N075X7R0103M
C204	281-0629-00			CAP.,FXD,CER DI:33PF,5%,600V	04222	7027-COG-330J
C215	283-0116-00	B010100	B019999X	CAP.,FXD,CER DI:820PF,5%,500V	72982	801-547B821J
C232	283-0204-00	XB020000		CAP.,FXD,CER DI:0.01UF,20%,50V	72982	8121N061Z5U0103M
C233	281-0605-00	XB021180		CAP.,FXD,CER DI:200PF,10%,500V	04222	7001-1375
C253	281-0519-00	XB021251		CAP.,FXD,CER DI:47PF,+/-4.7PF,500V	59660	308-000C0G0470K
C256	281-0519-00	XB022222		CAP.,FXD,CER DI:47PF,+/-4.7PF,500V	59660	308-000C0G0470K
C271	283-0204-00	XB020000		CAP.,FXD,CER DI:0.01UF,20%,50V	72982	8121N061Z5U0103M
C272	283-0204-00	XB020000		CAP.,FXD,CER DI:0.01UF,20%,50V	72982	8121N061Z5U0103M
C273	283-0204-00	XB020000		CAP.,FXD,CER DI:0.01UF,20%,50V	72982	8121N061Z5U0103M
C274	283-0204-00	XB020000		CAP.,FXD,CER DI:0.01UF,20%,50V	72982	8121N061Z5U0103M
C279	290-0534-00			CAP.,FXD,ELCLT:1UF,20%,35V	56289	196D105X0035HA1
C285	283-0220-00			CAP.,FXD,CER DI:0.01UF,20%,50V	72982	8121N075X7R0103M
C286	281-0516-00			CAP.,FXD,CER DI:39PF,+/-3.9PF,500V	59660	301-000U2J0390K
C287	290-0722-00			CAP.,FXD,ELCLT:100UF,20%,10V	56289	196D107X0010PE3
C288	283-0220-00			CAP.,FXD,CER DI:0.01UF,20%,50V	72982	8121N075X7R0103M
C290	283-0220-00			CAP.,FXD,CER DI:0.01UF,20%,50V	72982	8121N075X7R0103M
C320	281-0516-00			CAP.,FXD,CER DI:39PF,+/-3.9PF,500V	59660	301-000U2J0390K
C325	283-0059-00			CAP.,FXD,CER DI:1UF,+80-20%,25V	72982	8131N031Z5U0105Z

Replaceable Electrical Parts—DD 501

Ckt No.	Tektronix Part No.	Serial/Model No. Eff	Dscont	Name & Description	Mfr Code	Mfr Part Number
C337	283-0059-00			CAP., FXD, CER DI: 1UF, +80-20%, 25V	72982	8131N031Z5U0105Z
C340	281-0592-00			CAP., FXD, CER DI: 4.7PF, +/-0.5PF, 500V	59660	301-000-COH0479D
C347	283-0059-00			CAP., FXD, CER DI: 1UF, +80-20%, 25V	72982	8131N031Z5U0105Z
C359	283-0059-00			CAP., FXD, CER DI: 1UF, +80-20%, 25V	72982	8131N031Z5U0105Z
C360	290-0722-00			CAP., FXD, ELCTLT: 100UF, 20%, 10V	56289	196D107X0010PE3
C361	290-0722-00			CAP., FXD, ELCTLT: 100UF, 20%, 10V	56289	196D107X0010PE3
C362	290-0722-00			CAP., FXD, ELCTLT: 100UF, 20%, 10V	56289	196D107X0010PE3
C363	290-0722-00			CAP., FXD, ELCTLT: 100UF, 20%, 10V	56289	196D107X0010PE3
C364	281-0525-00			CAP., FXD, CER DI: 470PF, +/-94PF, 500V	04222	7001-1364
C365	290-0722-00			CAP., FXD, ELCTLT: 100UF, 20%, 10V	56289	196D107X0010PE3
C366	290-0722-00			CAP., FXD, ELCTLT: 100UF, 20%, 10V	56289	196D107X0010PE3
C367	290-0722-00			CAP., FXD, ELCTLT: 100UF, 20%, 10V	56289	196D107X0010PE3
C368	290-0722-00			CAP., FXD, ELCTLT: 100UF, 20%, 10V	56289	196D107X0010PE3
C369	290-0722-00			CAP., FXD, ELCTLT: 100UF, 20%, 10V	56289	196D107X0010PE3
C376	290-0534-00			CAP., FXD, ELCTLT: 1UF, 20%, 35V	56289	196D105X0035HA1
C377	290-0722-00			CAP., FXD, ELCTLT: 100UF, 20%, 10V	56289	196D107X0010PE3
C380	290-0719-00			CAP., FXD, ELCTLT: 47UF, 20%, 25V	56289	196D476X0025TE3
C382	290-0719-00			CAP., FXD, ELCTLT: 47UF, 20%, 25V	56289	196D476X0025TE3
C384	281-0525-00			CAP., FXD, CER DI: 470PF, +/-94PF, 500V	04222	7001-1364
C386	290-0719-00			CAP., FXD, ELCTLT: 47UF, 20%, 25V	56289	196D476X0025TE3
CR23	152-0141-02			SEMICONV DEVICE: SILICON, 30V, 150MA	01295	1N4152R
CR26	152-0141-02			SEMICONV DEVICE: SILICON, 30V, 150MA	01295	1N4152R
CR36	152-0141-02			SEMICONV DEVICE: SILICON, 30V, 150MA	01295	1N4152R
CR123	152-0141-02			SEMICONV DEVICE: SILICON, 30V, 150MA	01295	1N4152R
CR126	152-0141-02			SEMICONV DEVICE: SILICON, 30V, 150MA	01295	1N4152R
CR136	152-0141-02			SEMICONV DEVICE: SILICON, 30V, 150MA	01295	1N4152R
CR230	152-0141-02			SEMICONV DEVICE: SILICON, 30V, 150MA	01295	1N4152R
CR232	152-0141-02	XB020000		SEMICONV DEVICE: SILICON, 30V, 150MA	01295	1N4152R
CR336	152-0141-02			SEMICONV DEVICE: SILICON, 30V, 150MA	01295	1N4152R
CR337	152-0141-02			SEMICONV DEVICE: SILICON, 30V, 150MA	01295	1N4152R
CR345	152-0141-02			SEMICONV DEVICE: SILICON, 30V, 150MA	01295	1N4152R
CR350	152-0141-02			SEMICONV DEVICE: SILICON, 30V, 150MA	01295	1N4152R
CR351	152-0141-02			SEMICONV DEVICE: SILICON, 30V, 150MA	01295	1N4152R
DS320	150-0048-00			LAMP, INCAND: 5V, 60MA	08806	683
DS330	150-0048-00			LAMP, INCAND: 5V, 60MA	08806	683
DS340	150-0048-00			LAMP, INCAND: 5V, 60MA	08806	683
DS365	150-0048-00			LAMP, INCAND: 5V, 60MA	08806	683
F366	159-0021-00			FUSE, CARTRIDGE: 3AG, 2A, 250V, FAST-BLOW	71400	AGC 2
F386	159-0025-00			FUSE, CARTRIDGE: 3AG, 0.5A, 250V, FAST-BLOW	71400	AGC 1/2
J20	131-0955-00			CONN, RCPT, ELEC: BNC, FEMALE	13511	31-279
J58	131-0258-00			CONNECTOR, RCPT, : JACK ASSEMBLY	80009	131-0258-00
J65	136-0387-00			JACK, TIP: GRAY	71279	450-4352-01-0318
J120	131-0955-00			CONN, RCPT, ELEC: BNC, FEMALE	13511	31-279
J158	131-0258-00			CONNECTOR, RCPT, : JACK ASSEMBLY	80009	131-0258-00
J165	136-0387-00			JACK, TIP: GRAY	71279	450-4352-01-0318
J345	131-0955-00			CONN, RCPT, ELEC: BNC, FEMALE	13511	31-279
L215	108-0543-00	B010100	B019999X	COIL, RF: FIXED, 1.1UH	80009	108-0543-00
L360	108-0245-00			COIL, RF: 3.9UH	76493	B6310-1
L361	108-0245-00			COIL, RF: 3.9UH	76493	B6310-1
L362	108-0245-00			COIL, RF: 3.9UH	76493	B6310-1
L363	108-0245-00			COIL, RF: 3.9UH	76493	B6310-1
L367	108-0245-00			COIL, RF: 3.9UH	76493	B6310-1
L380	108-0245-00			COIL, RF: 3.9UH	76493	B6310-1
L382	108-0245-00			COIL, RF: 3.9UH	76493	B6310-1

Ckt No.	Tektronix Part No.	Serial/Model No. Eff	Dscont	Name & Description	Mfr Code	Mfr Part Number
Q28A, B	151-1042-00			SEMICON DVC SE:MATCHED PAIR FET	01295	SKA5390
Q30	151-0198-00			TRANSISTOR:SILICON,NPN,SEL FROM MPS918	04713	SPS8802-1
Q35	151-0367-00			TRANSISTOR:SILICON,NPN,SEL FROM 3571TP	01295	SKA6516
Q40	151-0367-00			TRANSISTOR:SILICON,NPN,SEL FROM 3571TP	01295	SKA6516
Q60	151-0198-00			TRANSISTOR:SILICON,NPN,SEL FROM MPS918	04713	SPS8802-1
Q128A, B	151-1042-00			SEMICON DVC SE:MATCHED PAIR FET	01295	SKA5390
Q130	151-0198-00			TRANSISTOR:SILICON,NPN,SEL FROM MPS918	04713	SPS8802-1
Q135	151-0367-00			TRANSISTOR:SILICON,NPN,SEL FROM 3571TP	01295	SKA6516
Q140	151-0367-00			TRANSISTOR:SILICON,NPN,SEL FROM 3571TP	01295	SKA6516
Q160	151-0198-00			TRANSISTOR:SILICON,NPN,SEL FROM MPS918	04713	SPS8802-1
Q200	151-0221-00	B010100	B019999X	TRANSISTOR:SILICON,PNP	04713	SPS246
Q205	151-0198-00			TRANSISTOR:SILICON,NPN,SEL FROM MPS918	04713	SPS8802-1
Q240	151-0190-00	XB020000		TRANSISTOR:SILICON,NPN	07263	S032677
Q241	151-0190-00	XB020000		TRANSISTOR:SILICON,NPN	07263	S032677
Q242	151-0190-00	XB020000		TRANSISTOR:SILICON,NPN	07263	S032677
Q280	151-0221-00			TRANSISTOR:SILICON,PNP	04713	SPS246
Q290	151-0198-00			TRANSISTOR:SILICON,NPN,SEL FROM MPS918	04713	SPS8802-1
Q320	151-0221-00			TRANSISTOR:SILICON,PNP	04713	SPS246
Q325	151-0341-00			TRANSISTOR:SILICON,NPN	07263	S040065
Q330	151-0221-00			TRANSISTOR:SILICON,PNP	04713	SPS246
Q335	151-0341-00			TRANSISTOR:SILICON,NPN	07263	S040065
Q340	151-0221-00			TRANSISTOR:SILICON,PNP	04713	SPS246
Q345	151-0198-00			TRANSISTOR:SILICON,NPN,SEL FROM MPS918	04713	SPS8802-1
Q348	151-0341-00			TRANSISTOR:SILICON,NPN	07263	S040065
Q366	151-0515-01			SCR:SILICON	04713	2N4441
Q386	151-0515-01			SCR:SILICON	04713	2N4441
R20	315-0100-00			RES.,FXD,CMPSN:10 OHM,5%,0.25W	01121	CB1005
R22	321-0481-00			RES.,FXD,FILM:1M OHM,1%,0.125W	24546	NA4D1004F
R23	315-0474-00			RES.,FXD,CMPSN:470K OHM,5%,0.25W	01121	CB4745
R24	315-0512-00			RES.,FXD,CMPSN:5.1K OHM,5%,0.25W	01121	CB5125
R25	315-0103-00			RES.,FXD,CMPSN:10K OHM,5%,0.25W	01121	CB1035
R26	315-0470-00			RES.,FXD,CMPSN:47 OHM,5%,0.25W	01121	CB4705
R27	315-0101-00			RES.,FXD,CMPSN:100 OHM,5%,0.25W	01121	CB1015
R28	315-0511-00			RES.,FXD,CMPSN:510 OHM,5%,0.25W	01121	CB5115
R29	311-1259-00			RES.,VAR,NONWIR:100 OHM,10%,0.50W	32997	3329P-L58-101
R30	315-0201-00			RES.,FXD,CMPSN:200 OHM,5%,0.25W	01121	CB2015
R32	315-0470-00			RES.,FXD,CMPSN:47 OHM,5%,0.25W	01121	CB4705
R33	315-0152-00			RES.,FXD,CMPSN:1.5K OHM,5%,0.25W	01121	CB1525
R34	315-0330-00			RES.,FXD,CMPSN:33 OHM,5%,0.25W	01121	CB3305
R35	315-0432-00			RES.,FXD,CMPSN:4.3K OHM,5%,0.25W	01121	CB4325
R36	315-0201-00			RES.,FXD,CMPSN:200 OHM,5%,0.25W	01121	CB2015
R37	315-0390-00			RES.,FXD,CMPSN:39 OHM,5%,0.25W	01121	CB3905
R40	315-0432-00			RES.,FXD,CMPSN:4.3K OHM,5%,0.25W	01121	CB4325
R42	315-0201-00			RES.,FXD,CMPSN:200 OHM,5%,0.25W	01121	CB2015
R44	315-0911-00			RES.,FXD,CMPSN:910 OHM,5%,0.25W	01121	CB9115
R46	315-0911-00			RES.,FXD,CMPSN:910 OHM,5%,0.25W	01121	CB9115
R47	315-0511-00			RES.,FXD,CMPSN:510 OHM,5%,0.25W	01121	CB5115
R49	315-0511-00			RES.,FXD,CMPSN:510 OHM,5%,0.25W	01121	CB5115
R50	315-0103-00			RES.,FXD,CMPSN:10K OHM,5%,0.25W	01121	CB1035
R52	315-0103-00			RES.,FXD,CMPSN:10K OHM,5%,0.25W	01121	CB1035
R56	315-0471-00			RES.,FXD,CMPSN:470 OHM,5%,0.25W	01121	CB4715
R57	315-0471-00			RES.,FXD,CMPSN:470 OHM,5%,0.25W	01121	CB4715
R58	315-0101-00			RES.,FXD,CMPSN:100 OHM,5%,0.25W	01121	CB1015
R59	315-0101-00			RES.,FXD,CMPSN:100 OHM,5%,0.25W	01121	CB1015
R60	315-0470-00			RES.,FXD,CMPSN:47 OHM,5%,0.25W	01121	CB4705
R61	315-0512-00			RES.,FXD,CMPSN:5.1K OHM,5%,0.25W	01121	CB5125

Replaceable Electrical Parts—DD 501

Ckt No.	Tektronix		Serial/Model No.		Name & Description	Mfr	
	Part No.	Eff		Dscont		Code	Mfr Part Number
R62	315-0201-00				RES., FXD, CMPSN: 200 OHM, 5%, 0.25W	01121	CB2015
R63	315-0470-00				RES., FXD, CMPSN: 47 OHM, 5%, 0.25W	01121	CB4705
R64	315-0102-00				RES., FXD, CMPSN: 1K OHM, 5%, 0.25W	01121	CB1025
R66	315-0911-00				RES., FXD, CMPSN: 910 OHM, 5%, 0.25W	01121	CB9115
R67	315-0361-00	B010100	B021669		RES., FXD, CMPSN: 360 OHM, 5%, 0.25W	01121	CB3615
R67	315-0162-00	B021670			RES., FXD, CMPSN: 1.6K OHM, 5%, 0.25W	01121	CB1625
R68	315-0301-00	B010100	B021669		RES., FXD, CMPSN: 300 OHM, 5%, 0.25W	01121	CB3015
R68	315-0751-00	B021670			RES., FXD, CMPSN: 750 OHM, 5%, 0.25W	01121	CB7515
R69	315-0272-00				RES., FXD, CMPSN: 2.7K OHM, 5%, 0.25W	01121	CB2725
R70	311-1715-00				RES., VAR, NONWIR: 10K OHM, 20%, 1W	01121	13M865A
R75	311-0326-00				RES., VAR, NONWIR: 10K OHM, 20%, 0.50W	01121	W7683
R120	315-0100-00				RES., FXD, CMPSN: 10 OHM, 5%, 0.25W	01121	CB1005
R122	321-0481-00				RES., FXD, FILM: 1M OHM, 1%, 0.125W	24546	NA4D1004F
R123	315-0474-00				RES., FXD, CMPSN: 470K OHM, 5%, 0.25W	01121	CB4745
R124	315-0512-00				RES., FXD, CMPSN: 5.1K OHM, 5%, 0.25W	01121	CB5125
R125	315-0103-00				RES., FXD, CMPSN: 10K OHM, 5%, 0.25W	01121	CB1035
R126	315-0470-00				RES., FXD, CMPSN: 47 OHM, 5%, 0.25W	01121	CB4705
R127	315-0101-00				RES., FXD, CMPSN: 100 OHM, 5%, 0.25W	01121	CB1015
R128	315-0511-00				RES., FXD, CMPSN: 510 OHM, 5%, 0.25W	01121	CB5115
R129	311-1259-00				RES., VAR, NONWIR: 100 OHM, 10%, 0.50W	32997	3329P-L58-101
R130	315-0201-00				RES., FXD, CMPSN: 200 OHM, 5%, 0.25W	01121	CB2015
R132	315-0470-00				RES., FXD, CMPSN: 47 OHM, 5%, 0.25W	01121	CB4705
R133	315-0152-00				RES., FXD, CMPSN: 1.5K OHM, 5%, 0.25W	01121	CB1525
R134	315-0330-00				RES., FXD, CMPSN: 33 OHM, 5%, 0.25W	01121	CB3305
R135	315-0432-00				RES., FXD, CMPSN: 4.3K OHM, 5%, 0.25W	01121	CB4325
R136	315-0201-00				RES., FXD, CMPSN: 200 OHM, 5%, 0.25W	01121	CB2015
R137	315-0390-00				RES., FXD, CMPSN: 39 OHM, 5%, 0.25W	01121	CB3905
R140	315-0432-00				RES., FXD, CMPSN: 4.3K OHM, 5%, 0.25W	01121	CB4325
R142	315-0201-00				RES., FXD, CMPSN: 200 OHM, 5%, 0.25W	01121	CB2015
R144	315-0911-00				RES., FXD, CMPSN: 910 OHM, 5%, 0.25W	01121	CB9115
R146	315-0911-00				RES., FXD, CMPSN: 910 OHM, 5%, 0.25W	01121	CB9115
R147	315-0511-00				RES., FXD, CMPSN: 510 OHM, 5%, 0.25W	01121	CB5115
R149	315-0511-00				RES., FXD, CMPSN: 510 OHM, 5%, 0.25W	01121	CB5115
R150	315-0103-00				RES., FXD, CMPSN: 10K OHM, 5%, 0.25W	01121	CB1035
R152	315-0103-00				RES., FXD, CMPSN: 10K OHM, 5%, 0.25W	01121	CB1035
R156	315-0471-00				RES., FXD, CMPSN: 470 OHM, 5%, 0.25W	01121	CB4715
R157	315-0471-00				RES., FXD, CMPSN: 470 OHM, 5%, 0.25W	01121	CB4715
R158	315-0101-00				RES., FXD, CMPSN: 100 OHM, 5%, 0.25W	01121	CB1015
R159	315-0101-00				RES., FXD, CMPSN: 100 OHM, 5%, 0.25W	01121	CB1015
R160	315-0470-00				RES., FXD, CMPSN: 47 OHM, 5%, 0.25W	01121	CB4705
R161	315-0512-00				RES., FXD, CMPSN: 5.1K OHM, 5%, 0.25W	01121	CB5125
R162	315-0201-00				RES., FXD, CMPSN: 200 OHM, 5%, 0.25W	01121	CB2015
R163	315-0470-00				RES., FXD, CMPSN: 47 OHM, 5%, 0.25W	01121	CB4705
R164	315-0102-00				RES., FXD, CMPSN: 1K OHM, 5%, 0.25W	01121	CB1025
R166	315-0911-00				RES., FXD, CMPSN: 910 OHM, 5%, 0.25W	01121	CB9115
R167	315-0361-00	B010100	B021669		RES., FXD, CMPSN: 360 OHM, 5%, 0.25W	01121	CB3615
R167	315-0162-00	B021670			RES., FXD, CMPSN: 1.6K OHM, 5%, 0.25W	01121	CB1625
R168	315-0301-00	B010100	B021669		RES., FXD, CMPSN: 300 OHM, 5%, 0.25W	01121	CB3015
R168	315-0751-00	B021670			RES., FXD, CMPSN: 750 OHM, 5%, 0.25W	01121	CB7515
R169	315-0272-00				RES., FXD, CMPSN: 2.7K OHM, 5%, 0.25W	01121	CB2725
R170	311-1715-00				RES., VAR, NONWIR: 10K OHM, 20%, 1W	01121	13M865A
R175	311-0326-00				RES., VAR, NONWIR: 10K OHM, 20%, 0.50W	01121	W7683
R200	315-0121-00	B010100	B019999X		RES., FXD, CMPSN: 120 OHM, 5%, 0.25W	01121	CB1215
R202	315-0390-00	B010100	B019999X		RES., FXD, CMPSN: 39 OHM, 5%, 0.25W	01121	CB3905
R203	315-0242-00				RES., FXD, CMPSN: 2.4K OHM, 5%, 0.25W	01121	CB2425
R204	315-0152-00				RES., FXD, CMPSN: 1.5K OHM, 5%, 0.25W	01121	CB1525
R205	315-0242-00				RES., FXD, CMPSN: 2.4K OHM, 5%, 0.25W	01121	CB2425

Ckt No.	Tektronix Part No.	Serial/Model No. Eff	Dscont	Name & Description	Mfr Code	Mfr Part Number
R206	315-0221-00			RES., FXD, CMPSN: 220 OHM, 5%, 0.25W	01121	CB2215
R207	315-0512-00			RES., FXD, CMPSN: 5.1K OHM, 5%, 0.25W	01121	CB5125
R212	315-0511-00	B010100	B019999X	RES., FXD, CMPSN: 510 OHM, 5%, 0.25W	01121	CB5115
R214	315-0511-00	B010100	B019999X	RES., FXD, CMPSN: 510 OHM, 5%, 0.25W	01121	CB5115
R228	315-0131-00	XB021251		RES., FXD, CMPSN: 130 OHM, 5%, 0.25W	01121	CB1315
R229	315-0511-00			RES., FXD, CMPSN: 510 OHM, 5%, 0.25W	01121	CB5115
R230	315-0511-00			RES., FXD, CMPSN: 510 OHM, 5%, 0.25W	01121	CB5115
R231	315-0511-00			RES., FXD, CMPSN: 510 OHM, 5%, 0.25W	01121	CB5115
R232	315-0511-00			RES., FXD, CMPSN: 510 OHM, 5%, 0.25W	01121	CB5115
R233	315-0102-00	XB020000		RES., FXD, CMPSN: 1K OHM, 5%, 0.25W	01121	CB1025
R234	315-0102-00	XB020000		RES., FXD, CMPSN: 1K OHM, 5%, 0.25W	01121	CB1025
R235	315-0820-00	B010100	B019999X	RES., FXD, CMPSN: 82 OHM, 5%, 0.25W	01121	CB8205
R235	315-0511-00	XB021180		RES., FXD, CMPSN: 510 OHM, 5%, 0.25W	01121	CB5115
R236	315-0102-00	XB020000		RES., FXD, CMPSN: 1K OHM, 5%, 0.25W	01121	CB1025
R237	315-0511-00	XB020000		RES., FXD, CMPSN: 510 OHM, 5%, 0.25W	01121	CB5115
R238	315-0102-00	XB020000		RES., FXD, CMPSN: 1K OHM, 5%, 0.25W	01121	CB1025
R239	315-0181-00	B010100	B019999X	RES., FXD, CMPSN: 180 OHM, 5%, 0.25W	01121	CB1815
R240	315-0102-00	B010100	B019999X	RES., FXD, CMPSN: 1K OHM, 5%, 0.25W	01121	CB1025
R241	315-0162-00	B010100	B019999X	RES., FXD, CMPSN: 1.6K OHM, 5%, 0.25W	01121	CB1625
R242	315-0331-00	B010100	B019999X	RES., FXD, CMPSN: 330 OHM, 5%, 0.25W	01121	CB3315
R243	315-0511-00	B010100	B019999X	RES., FXD, CMPSN: 510 OHM, 5%, 0.25W	01121	CB5115
R244	315-0131-00	B010100	B019999	RES., FXD, CMPSN: 130 OHM, 5%, 0.25W	01121	CB1315
R244	315-0511-00	B020000		RES., FXD, CMPSN: 510 OHM, 5%, 0.25W	01121	CB5115
R245	315-0511-00	B010100	B019999X	RES., FXD, CMPSN: 510 OHM, 5%, 0.25W	01121	CB5115
R246	315-0511-00			RES., FXD, CMPSN: 510 OHM, 5%, 0.25W	01121	CB5115
R247	315-0511-00			RES., FXD, CMPSN: 510 OHM, 5%, 0.25W	01121	CB5115
R248	315-0511-00			RES., FXD, CMPSN: 510 OHM, 5%, 0.25W	01121	CB5115
R249	315-0511-00			RES., FXD, CMPSN: 510 OHM, 5%, 0.25W	01121	CB5115
R250	315-0242-00			RES., FXD, CMPSN: 2.4K OHM, 5%, 0.25W	01121	CB2425
R251	315-0242-00			RES., FXD, CMPSN: 2.4K OHM, 5%, 0.25W	01121	CB2425
R252	315-0242-00			RES., FXD, CMPSN: 2.4K OHM, 5%, 0.25W	01121	CB2425
R253	315-0242-00			RES., FXD, CMPSN: 2.4K OHM, 5%, 0.25W	01121	CB2425
R254	315-0242-00			RES., FXD, CMPSN: 2.4K OHM, 5%, 0.25W	01121	CB2425
R255	315-0511-00	XB020000		RES., FXD, CMPSN: 510 OHM, 5%, 0.25W	01121	CB5115
R256	315-0511-00	XB020000		RES., FXD, CMPSN: 510 OHM, 5%, 0.25W	01121	CB5115
R257	315-0511-00	XB020000		RES., FXD, CMPSN: 510 OHM, 5%, 0.25W	01121	CB5115
R258	315-0131-00	XB022222		RES., FXD, CMPSN: 130 OHM, 5%, 0.25W	01121	CB1315
R260	315-0331-00			RES., FXD, CMPSN: 330 OHM, 5%, 0.25W	01121	CB3315
R261	315-0511-00	XB020000		RES., FXD, CMPSN: 510 OHM, 5%, 0.25W	01121	CB5115
R262	315-0331-00			RES., FXD, CMPSN: 330 OHM, 5%, 0.25W	01121	CB3315
R263	315-0511-00	XB020000		RES., FXD, CMPSN: 510 OHM, 5%, 0.25W	01121	CB5115
R264	315-0331-00			RES., FXD, CMPSN: 330 OHM, 5%, 0.25W	01121	CB3315
R265	315-0511-00	XB020000		RES., FXD, CMPSN: 510 OHM, 5%, 0.25W	01121	CB5115
R266	315-0331-00			RES., FXD, CMPSN: 330 OHM, 5%, 0.25W	01121	CB3315
R267	315-0511-00	XB020000		RES., FXD, CMPSN: 510 OHM, 5%, 0.25W	01121	CB5115
R268	315-0511-00	XB020000		RES., FXD, CMPSN: 510 OHM, 5%, 0.25W	01121	CB5115
R269	315-0511-00	XB020000		RES., FXD, CMPSN: 510 OHM, 5%, 0.25W	01121	CB5115
R270	315-0102-00			RES., FXD, CMPSN: 1K OHM, 5%, 0.25W	01121	CB1025
R271	315-0102-00			RES., FXD, CMPSN: 1K OHM, 5%, 0.25W	01121	CB1025
R272	315-0102-00			RES., FXD, CMPSN: 1K OHM, 5%, 0.25W	01121	CB1025
R273	315-0102-00			RES., FXD, CMPSN: 1K OHM, 5%, 0.25W	01121	CB1025
R274	315-0511-00	XB020000		RES., FXD, CMPSN: 510 OHM, 5%, 0.25W	01121	CB5115
R275	315-0162-00			RES., FXD, CMPSN: 1.6K OHM, 5%, 0.25W	01121	CB1625
R276	315-0162-00			RES., FXD, CMPSN: 1.6K OHM, 5%, 0.25W	01121	CB1625
R277	315-0162-00			RES., FXD, CMPSN: 1.6K OHM, 5%, 0.25W	01121	CB1625
R278	315-0162-00			RES., FXD, CMPSN: 1.6K OHM, 5%, 0.25W	01121	CB1625
R279	315-0511-00	B010100	B019999X	RES., FXD, CMPSN: 510 OHM, 5%, 0.25W	01121	CB5115

Replaceable Electrical Parts—DD 501

Ckt No.	Tektronix Part No.	Serial/Model No. Eff	Dscont	Name & Description	Mfr Code	Mfr Part Number
R280	315-0510-00	B010100	B019999X	RES., FXD, CMPSN: 51 OHM, 5%, 0.25W	01121	CB5105
R281	315-0511-00	XB020000		RES., FXD, CMPSN: 510 OHM, 5%, 0.25W	01121	CB5115
R282	315-0511-00	B010100	B019999X	RES., FXD, CMPSN: 510 OHM, 5%, 0.25W	01121	CB5115
R283	315-0511-00	B010100	B019999X	RES., FXD, CMPSN: 510 OHM, 5%, 0.25W	01121	CB5115
R284	315-0511-00			RES., FXD, CMPSN: 510 OHM, 5%, 0.25W	01121	CB5115
R285	315-0511-00	XB020000		RES., FXD, CMPSN: 510 OHM, 5%, 0.25W	01121	CB5115
R286	315-0240-00			RES., FXD, CMPSN: 24 OHM, 5%, 0.25W	01121	CB2405
R287	315-0511-00			RES., FXD, CMPSN: 510 OHM, 5%, 0.25W	01121	CB5115
R288	315-0750-00			RES., FXD, CMPSN: 75 OHM, 5%, 0.25W	01121	CB7505
R289	315-0511-00			RES., FXD, CMPSN: 510 OHM, 5%, 0.25W	01121	CB5115
R290	315-0511-00			RES., FXD, CMPSN: 510 OHM, 5%, 0.25W	01121	CB5115
R291	315-0511-00			RES., FXD, CMPSN: 510 OHM, 5%, 0.25W	01121	CB5115
R292	315-0511-00			RES., FXD, CMPSN: 510 OHM, 5%, 0.25W	01121	CB5115
R293	315-0511-00			RES., FXD, CMPSN: 510 OHM, 5%, 0.25W	01121	CB5115
R294	315-0511-00			RES., FXD, CMPSN: 510 OHM, 5%, 0.25W	01121	CB5115
R295	315-0221-00			RES., FXD, CMPSN: 220 OHM, 5%, 0.25W	01121	CB2215
R296	315-0122-00			RES., FXD, CMPSN: 1.2K OHM, 5%, 0.25W	01121	CB1225
R297	315-0181-00			RES., FXD, CMPSN: 180 OHM, 5%, 0.25W	01121	CB1815
R298	315-0102-00			RES., FXD, CMPSN: 1K OHM, 5%, 0.25W	01121	CB1025
R320	315-0390-00			RES., FXD, CMPSN: 39 OHM, 5%, 0.25W	01121	CB3905
R322	315-0151-00	B010100	B021669	RES., FXD, CMPSN: 150 OHM, 5%, 0.25W	01121	CB1515
R322	315-0101-00	B021670		RES., FXD, CMPSN: 100 OHM, 5%, 0.25W	01121	CB1015
R323	315-0242-00			RES., FXD, CMPSN: 2.4K OHM, 5%, 0.25W	01121	CB2425
R324	315-0202-00			RES., FXD, CMPSN: 2K OHM, 5%, 0.25W	01121	CB2025
R325	315-0102-00			RES., FXD, CMPSN: 1K OHM, 5%, 0.25W	01121	CB1025
R326	315-0473-00			RES., FXD, CMPSN: 47K OHM, 5%, 0.25W	01121	CB4735
R327	307-0113-00			RES., FXD, CMPSN: 5.1 OHM, 5%, 0.25W	01121	CB51G5
R328	315-0151-00			RES., FXD, CMPSN: 150 OHM, 5%, 0.25W	01121	CB1515
R333	315-0390-00			RES., FXD, CMPSN: 39 OHM, 5%, 0.25W	01121	CB3905
R334	315-0221-00	B010100	B021669	RES., FXD, CMPSN: 220 OHM, 5%, 0.25W	01121	CB2215
R334	315-0101-00	B021670		RES., FXD, CMPSN: 100 OHM, 5%, 0.25W	01121	CB1015
R335	315-0202-00			RES., FXD, CMPSN: 2K OHM, 5%, 0.25W	01121	CB2025
R336	315-0102-00			RES., FXD, CMPSN: 1K OHM, 5%, 0.25W	01121	CB1025
R337	315-0473-00			RES., FXD, CMPSN: 47K OHM, 5%, 0.25W	01121	CB4735
R338	307-0113-00			RES., FXD, CMPSN: 5.1 OHM, 5%, 0.25W	01121	CB51G5
R339	315-0151-00			RES., FXD, CMPSN: 150 OHM, 5%, 0.25W	01121	CB1515
R340	315-0101-00			RES., FXD, CMPSN: 100 OHM, 5%, 0.25W	01121	CB1015
R341	315-0751-00			RES., FXD, CMPSN: 750 OHM, 5%, 0.25W	01121	CB7515
R342	315-0910-00			RES., FXD, CMPSN: 91 OHM, 5%, 0.25W	01121	CB9105
R343	315-0471-00			RES., FXD, CMPSN: 470 OHM, 5%, 0.25W	01121	CB4715
R344	315-0152-00			RES., FXD, CMPSN: 1.5K OHM, 5%, 0.25W	01121	CB1525
R345	315-0272-00			RES., FXD, CMPSN: 2.7K OHM, 5%, 0.25W	01121	CB2725
R346	315-0473-00			RES., FXD, CMPSN: 47K OHM, 5%, 0.25W	01121	CB4735
R347	315-0102-00			RES., FXD, CMPSN: 1K OHM, 5%, 0.25W	01121	CB1025
R348	315-0202-00			RES., FXD, CMPSN: 2K OHM, 5%, 0.25W	01121	CB2025
R350	317-0470-00			RES., FXD, CMPSN: 47 OHM, 5%, 0.125W	01121	BB4705
R352	307-0113-00			RES., FXD, CMPSN: 5.1 OHM, 5%, 0.25W	01121	CB51G5
R353	315-0151-00			RES., FXD, CMPSN: 150 OHM, 5%, 0.25W	01121	CB1515
R360	321-0225-00			RES., FXD, FILM: 2.15K OHM, 1%, 0.125W	91637	MFF1816G21500F
R361	315-0332-00			RES., FXD, CMPSN: 3.3K OHM, 5%, 0.25W	01121	CB3325
R362	321-0260-00			RES., FXD, FILM: 4.99K OHM, 1%, 0.125W	91637	MFF1816G49900F
R363	308-0465-00			RES., FXD, WW: 0.225 OHM, 10%, 2W	80009	308-0465-00
R364	315-0152-00			RES., FXD, CMPSN: 1.5K OHM, 5%, 0.25W	01121	CB1525
R366	315-0102-00			RES., FXD, CMPSN: 1K OHM, 5%, 0.25W	01121	CB1025
R375	307-0057-00			RES., FXD, CMPSN: 5.1 OHM, 5%, 0.50W	01121	EB51G5
R380	321-0247-00			RES., FXD, FILM: 3.65K OHM, 1%, 0.125W	91637	MFF1816G36500F
R382	321-0295-00			RES., FXD, FILM: 11.5K OHM, 1%, 0.125W	91637	MFF1816G11501F

Ckt No.	Tektronix Part No.	Serial/Model No. Eff	Dscont	Name & Description	Mfr Code	Mfr Part Number
R383	315-0302-00			RES., FXD, CMPSN: 3K OHM, 5%, 0.25W	01121	CB3025
R384	315-0302-00			RES., FXD, CMPSN: 3K OHM, 5%, 0.25W	01121	CB3025
R385	315-0202-00			RES., FXD, CMPSN: 2K OHM, 5%, 0.25W	01121	CB2025
R386	315-0102-00			RES., FXD, CMPSN: 1K OHM, 5%, 0.25W	01121	CB1025
S70	311-1715-00			RES., VAR, NONWIR: 10K OHM, 20%, 1W	01121	13M865A
S170	311-1715-00			RES., VAR, NONWIR: 10K OHM, 20%, 1W	01121	13M865A
S240	260-0735-00			SWITCH, PUSH: T, NO CONTACT, RED BUTTON	81073	39-1
S410	260-1650-00	B010100	B022979	SWITCH, ROTARY: THUMBWHEEL, 5 SEC, 10 POS	23880	SX3182-0000
S410	260-1650-02	B022980		SWITCH, ROTARY: THUMBWHEEL, 5 SEC, 10 POS	23880	SX3182-0000
U44	156-0369-00			MICROCIRCUIT, DI: TRIPLE LINE RECEIVER	80009	156-0369-00
U144	156-0369-00			MICROCIRCUIT, DI: TRIPLE LINE RECEIVER	80009	156-0369-00
U200	156-0171-00			MICROCIRCUIT, DI: QUAD 2-INPUT OR GATE	80009	156-0171-00
U210	156-0458-00			MICROCIRCUIT, DI: QUAD AND GATE, 2-INP	04713	MC10104L
U215	156-0205-00			MICROCIRCUIT, DI: QUAD 2-INPUT NOR GATE	04713	MC10102 (P OR L)
U230	156-0230-00			MICROCIRCUIT, DI: DUAL D MA-SLAVE FLIP-FLOP	80009	156-0230-00
U232	156-0230-00	XB020000		MICROCIRCUIT, DI: DUAL D MA-SLAVE FLIP-FLOP	80009	156-0230-00
U240	156-0205-00			MICROCIRCUIT, DI: QUAD 2-INPUT NOR GATE	04713	MC10102 (P OR L)
U250	156-0097-00			MICROCIRCUIT, DI: DIV BY 2 AND 5 RIPPLE CNTR	80009	156-0097-00
U255	156-0097-00			MICROCIRCUIT, DI: DIV BY 2 AND 5 RIPPLE CNTR	80009	156-0097-00
U256	307-0422-00			RES., FXD, FILM: 15 RES. NETWORK	73138	898-1-R2.4K
U260	156-0097-00			MICROCIRCUIT, DI: DIV BY 2 AND 5 RIPPLE CNTR	80009	156-0097-00
U265	156-0097-00			MICROCIRCUIT, DI: DIV BY 2 AND 5 RIPPLE CNTR	80009	156-0097-00
U270	156-0510-00	B010100	B019999X	MICROCIRCUIT, DI: UNIV HEXIDECIMAL CNTR	04713	MC10137L
U271	156-0642-00	XB020000		MICROCIRCUIT, DI: BI-QUINARY CNTR	04713	MC10138L
U272	156-0458-00	XB020000		MICROCIRCUIT, DI: QUAD AND GATE, 2-INP	04713	MC10104L
U273	156-0458-00	XB020000		MICROCIRCUIT, DI: QUAD AND GATE, 2-INP	04713	MC10104L
U274	156-0230-00	XB020000		MICROCIRCUIT, DI: DUAL D MA-SLAVE FLIP-FLOP	80009	156-0230-00
U280	156-0205-00	B010100	B019999X	MICROCIRCUIT, DI: QUAD 2-INPUT NOR GATE	04713	MC10102 (P OR L)
U290	156-0035-00			MICROCIRCUIT, DI: SGL 8-INPUT POS NAND GATE	80009	156-0035-00
U325	156-0331-00			MICROCIRCUIT, DI: DUAL D-TYPE, FLIP-FLOP	80009	156-0331-00
U327	156-0150-00			MICROCIRCUIT, DI: QUAD 2-INPUT POS NAND BFR	01295	SN7437N
U340	156-0331-00			MICROCIRCUIT, DI: DUAL D-TYPE, FLIP-FLOP	80009	156-0331-00
U360	156-0071-00			MICROCIRCUIT, LI: VOLTAGE REGULATOR	04713	MC1723CL
U380	156-0071-00			MICROCIRCUIT, LI: VOLTAGE REGULATOR	04713	MC1723CL
VR58	152-0278-00			SEMICONV DEVICE: ZENER, 0.4W, 3V, 5%	04713	SZG35009K20
VR158	152-0278-00			SEMICONV DEVICE: ZENER, 0.4W, 3V, 5%	04713	SZG35009K20
VR366	152-0280-00			SEMICONV DEVICE: ZENER, 0.4W, 6.2V, 5%	80009	152-0280-00
VR386	152-0304-00			SEMICONV DEVICE: ZENER, 0.4W, 20V, 5%	15238	Z5411

OPTION INFORMATION

Your instrument may be equipped with one or more options. This section describes those options, or directs the reader to where the option is documented.

DIAGRAMS AND CIRCUIT BOARD ILLUSTRATIONS

Symbols and Reference Designators

Electrical components shown on the diagrams are in the following units unless noted otherwise:

- Capacitors = Values one or greater are in picofarads (pF).
Values less than one are in microfarads (μF).
- Resistors = Ohms (Ω).

Graphic symbols and class designation letters are based on ANSI Standard Y32.2-1975.

Logic symbology is based on ANSI Y32.14-1973 in terms of positive logic. Logic symbols depict the logic function performed and may differ from the manufacturer's data.

The overline on a signal name indicates that the signal performs its intended function when it goes to the low state.

Abbreviations are based on ANSI Y1.1-1972.

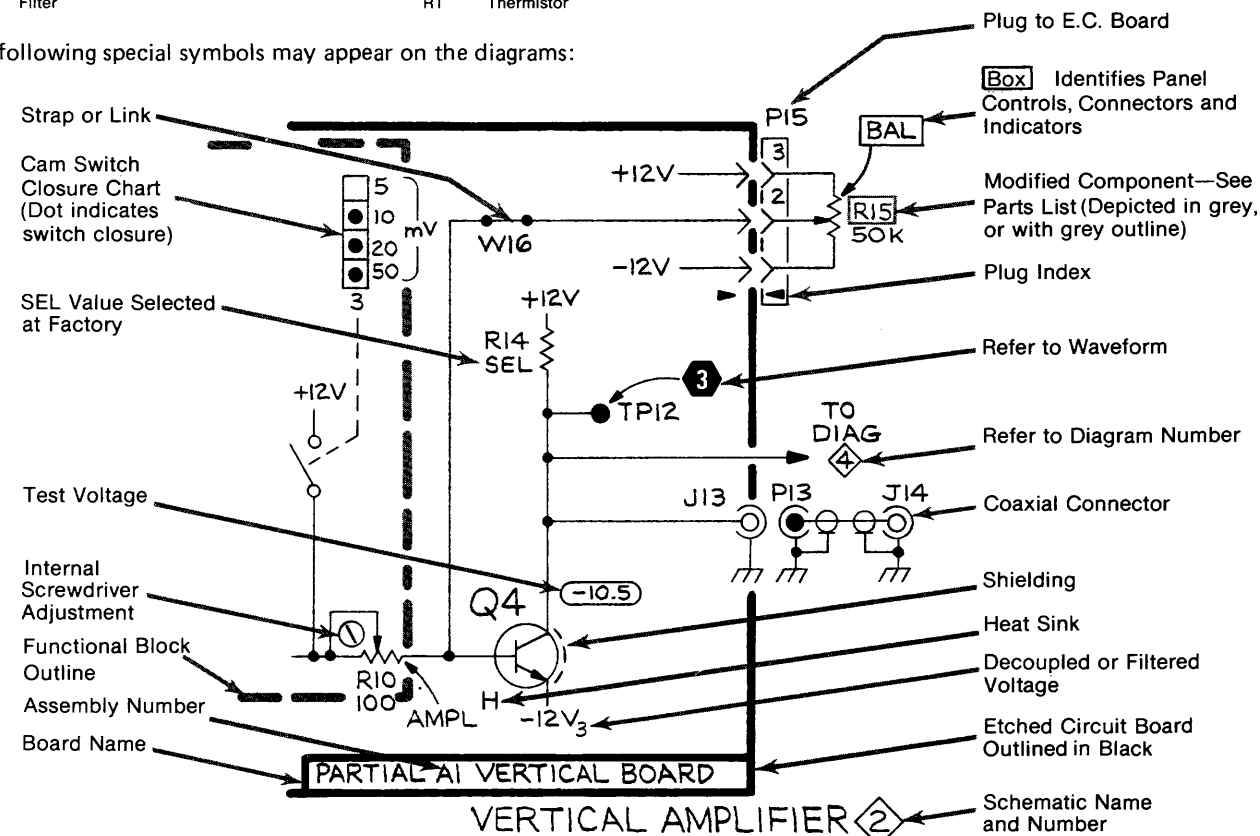
Other ANSI standards that are used in the preparation of diagrams by Tektronix, Inc. are:

- Y14.15, 1966 Drafting Practices.
- Y14.2, 1973 Line Conventions and Lettering.
- Y10.5, 1968 Letter Symbols for Quantities Used in Electrical Science and Electrical Engineering.

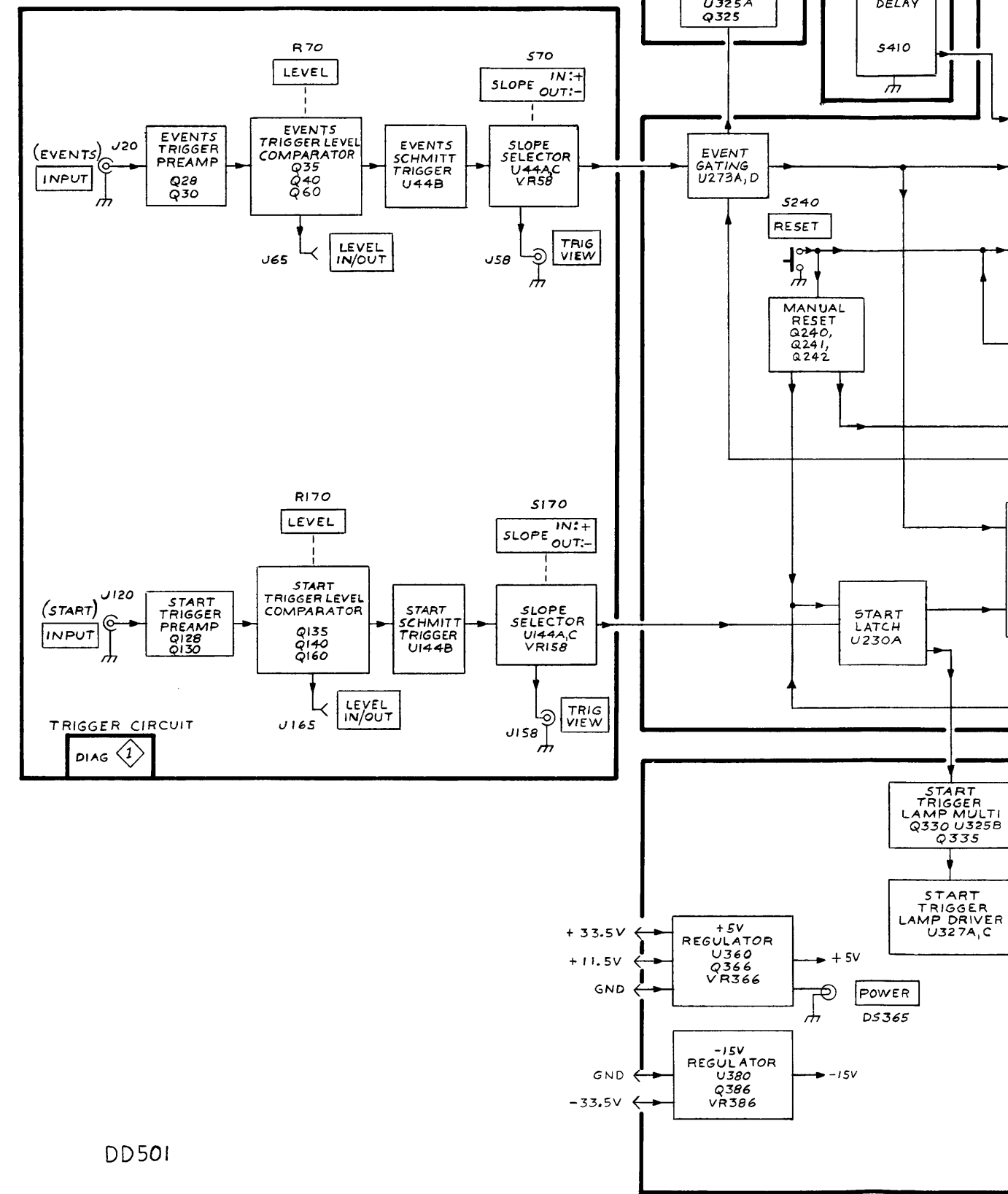
The following prefix letters are used as reference designators to identify components or assemblies on the diagrams.

A	Assembly, separable or repairable (circuit board, etc)	H	Heat dissipating device (heat sink, heat radiator, etc)	S	Switch or contactor
AT	Attenuator, fixed or variable	HR	Heater	T	Transformer
B	Motor	HY	Hybrid circuit	TC	Thermocouple
BT	Battery	J	Connector, stationary portion	TP	Test point
C	Capacitor, fixed or variable	K	Relay	U	Assembly, inseparable or non-repairable (integrated circuit, etc.)
CB	Circuit breaker	L	Inductor, fixed or variable	V	Electron tube
CR	Diode, signal or rectifier	M	Meter	VR	Voltage regulator (zener diode, etc.)
DL	Delay line	P	Connector, movable portion	W	Wirestrap or cable
DS	Indicating device (lamp)	Q	Transistor or silicon-controlled rectifier	Y	Crystal
E	Spark Gap, Ferrite bead	R	Resistor, fixed or variable	Z	Phase shifter
F	Fuse	RT	Thermistor		
FL	Filter				

The following special symbols may appear on the diagrams:



SYMBOLS AND REFERENCE DESIGNATORS



SYMBOLS AND REFERENCE DESIGNATORS

FUNCTIONS

Logic

Transitions to the low state.

Connections on the diagrams.

Switch or contactor
Transformer
Resistor
Capacitor
Diode
Point-to-point
Weldable, inseparable or non-repairable
Printed circuit, etc.)
Vacuum tube
Voltage regulator (zener diode, etc.)
Cable or cable trap
Terminal
Shifter

Connection to E.C. Board

Identifies Panel Controls, Connectors and Indicators

Modified Component—See Parts List (Depicted in grey, or with grey outline)

Index

Refer to Waveform

Refer to Diagram Number

Coaxial Connector

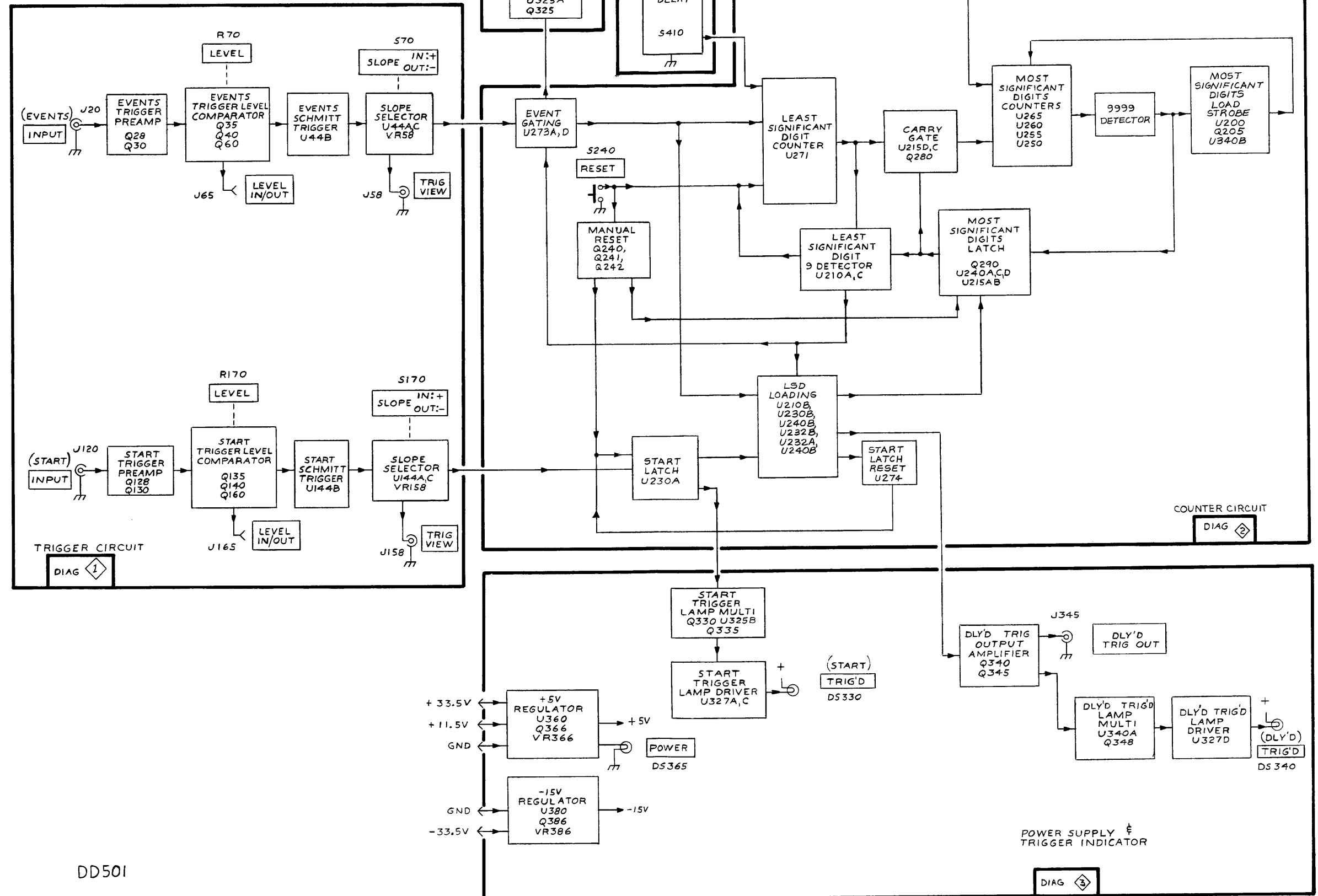
Shielding

Heat Sink

Decoupled or Filtered Voltage

Mounted Circuit Board Outlined in Black

Schematic Name and Number



DD501

REV. B JUN 1978 1818-27

BLOCK DIAGRAM

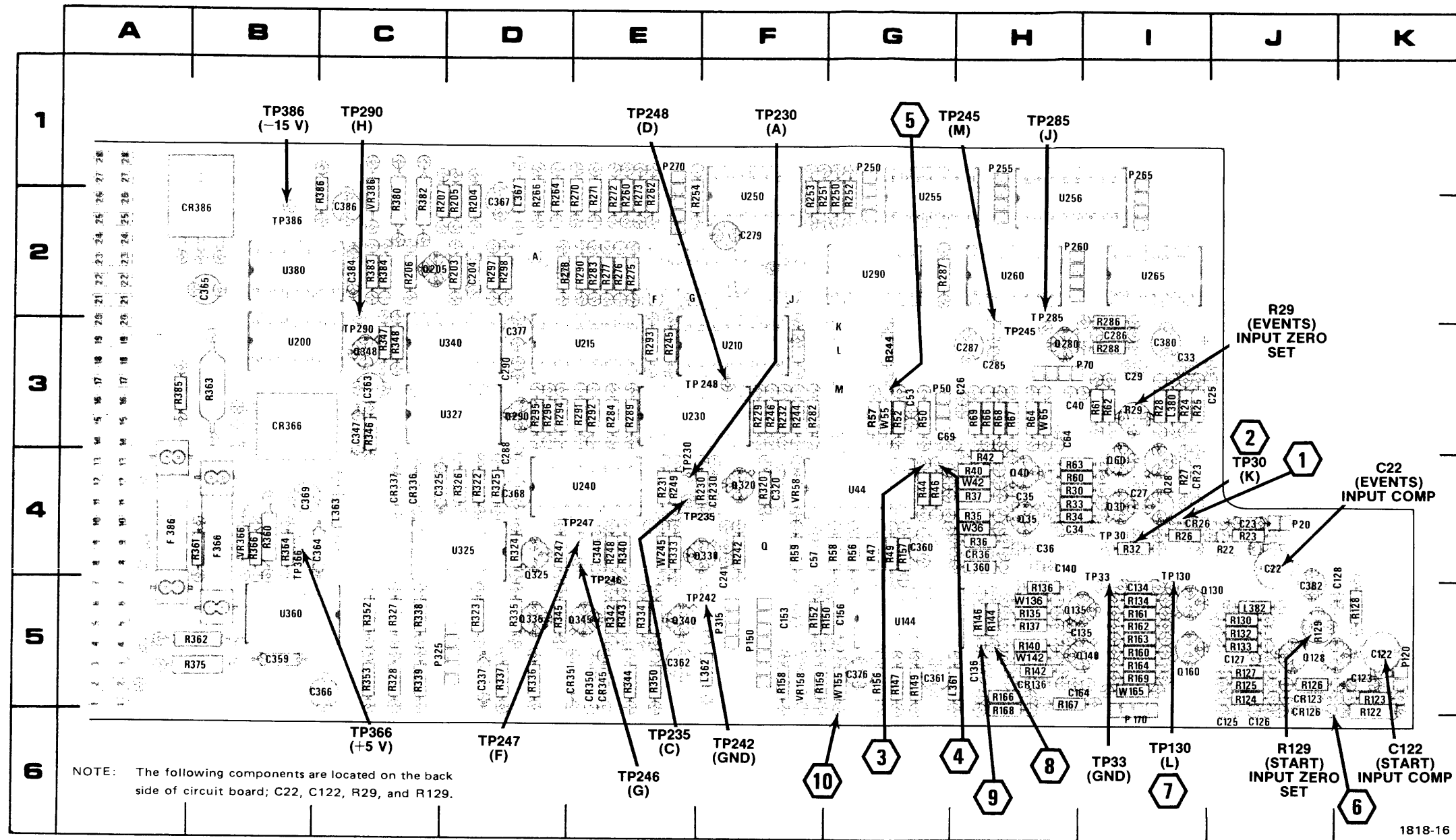
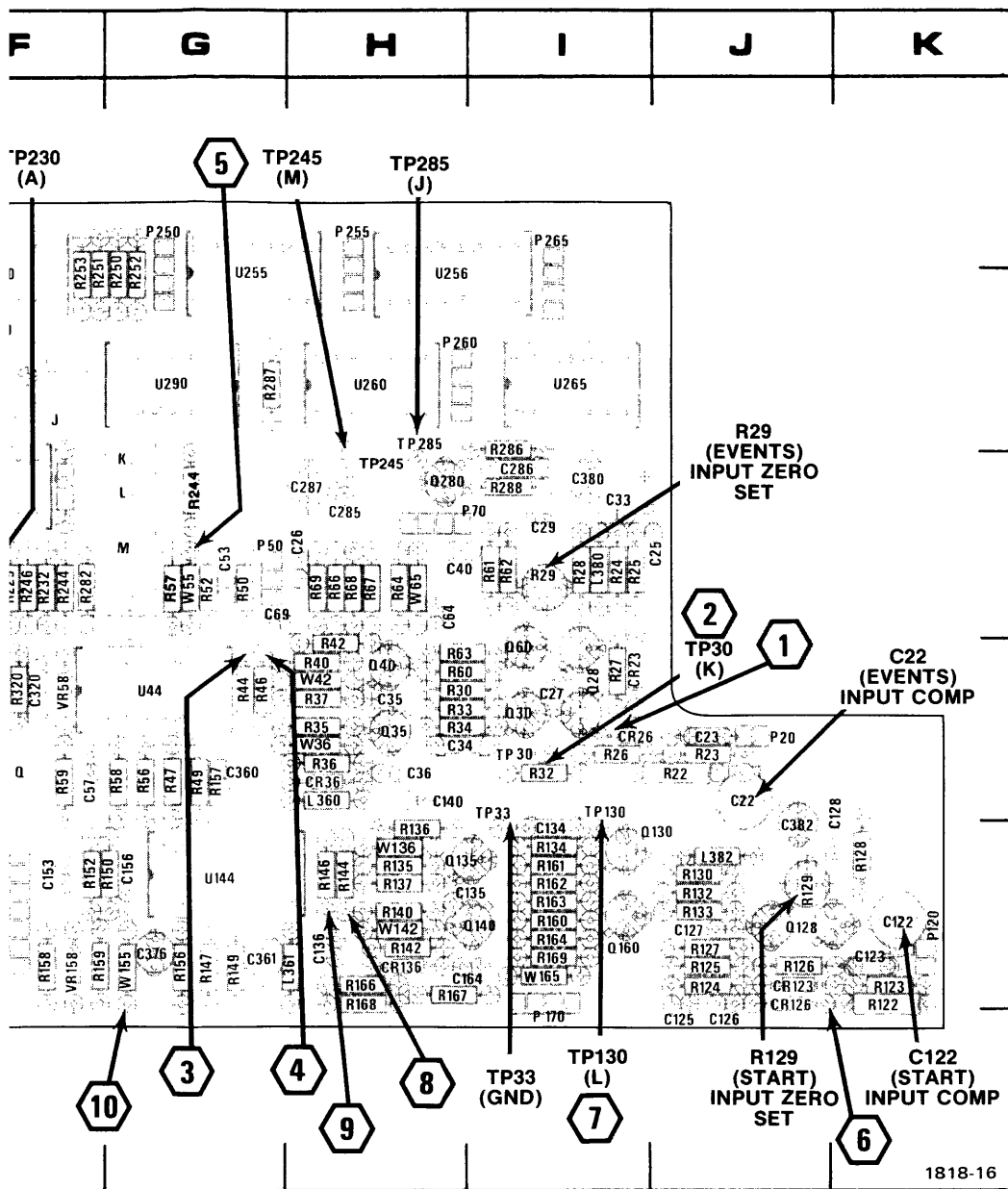


Fig. 7-1. Digital Delay circuit board locations, SN B020530 and up.

CKT NO	GRID LOC	CKT NO	GRID LOC	CKT NO	GRID LOC	CKT NO	GRID LOC	CKT NO	GRID LOC
C22	4J	CR23	4J	Q340	5F	R146	5H	R290	
C23	4J	CR26	4J	Q345	5E	R147	5G	R291	
C25	3J	CR36	4H	Q348	3C	R149	5G	R292	
C26	3H	CR123	5J			R150	5G	R293	
C27	4I	CR126	5J	R22	4J	R152	5G	R294	
C29	3I	CR136	5H	R23	4J	R156	5G	R295	
C33	3I	CR230	4F	R24	3I	R157	4G	R296	
C34	4I	CR282	2E	R25	3J	R158	5F	R297	
C35	4H	CR336	4C	R26	4I	R159	5G	R298	
C36	4H	CR337	4C	R27	4I	R160	5I	R320	
C40	3I	CR345	5E	R28	3I	R161	5I	R322	
C53	3G	CR350	5E	R29	3I	R162	5I	R323	
C57	4G	CR351	5E	R30	4I	R163	5I	R324	
C64	3I	CR366	3B	R32	4I	R164	5I	R325	
C69	3H	CR386	2B	R33	4I	R166	5H	R326	
C122	5K			R34	4I	R167	5I	R327	
C123	5K	F366	4B	R35	4H	R168	5H	R328	
C125	6J	F386	4B	R36	4H	R169	5I	R333	
C126	6J			R37	4H	R203	2D	R334	
C127	5J	L360	4H	R40	4H	R204	2D	R335	
C128	4K	L361	5H	R42	4H	R205	2D	R336	
C134	5I	L362	5F	R44	4G	R206	2C	R337	
C135	5I	L363	4C	R46	4G	R207	2D	R338	
C136	5H	L367	2D	R47	4G	R229	3F	R339	
C140	4I	L380	3I	R49	4G	R230	4F	R340	
C153	5F	L382	5J	R50	3G	R231	4E	R342	
C156	5G			R52	3G	R232	3F	R343	
C164	5I	P20	4J	R56	4G	R242	4F	R344	
C204	2D	P50	3H	R57	3G	R244	3G	R345	
C241	4F	P70	3I	R58	4G	R245	3E	R346	
C279	2F	P120	5K	R59	4F	R246	3F	R347	
C285	3H	P150	5F	R60	4I	R247	4E	R348	
C286	3I	P170	6I	R61	3I	R248	4E	R350	
C287	3H	P250	1G	R62	3I	R249	4E	R352	
C288	4D	P255	1H	R63	4I	R250	2G	R353	
C290	3D	P260	2I	R64	3H	R251	2G	R360	
C320	4F	P265	1I	R66	3H	R252	2G	R361	
C325	4D	P270	1E	R67	3H	R253	2F	R362	
C337	5D	P315	5F	R68	3H	R254	1F	R363	
C340	4E	P325	5D	R69	3H	R260	2E	R364	
C347	3C			R122	5K	R262	2E	R366	
C359	5B	Q28	4I	R123	5K	R264	2E	R375	
C360	4G	Q30	4I	R124	5J	R266	2D	R380	
C361	5G	Q35	4H	R125	5J	R270	2E	R382	
C362	5E	Q40	4H	R126	5J	R271	2E	R383	
C363	3C	Q60	4I	R127	5J	R272	2E	R384	
C364	4C	Q128	5J	R128	5K	R273	2E	R385	
C365	2B	Q130	5J	R129	5J	R275	2E	R386	
C366	5C	Q135	5I	R130	5J	R276	2E		
C367	2D	Q140	5I	R132	5J	R277	2E	TP30	
C368	4D	Q160	5I	R133	5J	R278	2E	TP33	
C369	4C	Q205	2D	R134	5I	R280	3F	TP130	
C376	5G	Q280	3I	R135	5H	R282	3E	TP230	
C377	3D	Q290	3D	R136	5H	R283	2E	TP235	
C380	3I	Q320	4F	R137	5H	R284	3E	TP242	
C382	4J	Q325	4D	R140	5H	R286	2I	TP245	
C384	2C	Q330	4F	R142	5H	R287	2H	TP246	
C386	2C	Q335	5D	R144	5H	R289	3E	TP247	



1818-16

3020530 and up.

CKT NO	GRID LOC	CKT NO	GRID LOC	CKT NO	GRID LOC	CKT NO	GRID LOC	CKT NO	GRID LOC	CKT NO	GRID LOC
C22	4J	CR23	4J	Q340	5F	R146	5H	R290	2E	TP248	3F
C23	4J	CR26	4J	Q345	5E	R147	5G	R291	3E	TP285	2H
C25	3J	CR36	4H	Q348	3C	R149	5G	R292	3E	TP290	3C
C26	3H	CR123	5J			R150	5G	R293	3E	TP366	4C
C27	4I	CR126	5J	R22	4J	R152	5G	R294	3E	TP386	2B
C29	3I	CR136	5H	R23	4J	R156	5G	R295	3D		
C33	3I	CR230	4F	R24	3I	R157	4G	R296	3D	U44	4G
C34	4I	CR282	2E	R25	3J	R158	5F	R297	2D	U144	5G
C35	4H	CR336	4C	R26	4I	R159	5G	R298	2D	U200	3B
C36	4H	CR337	4C	R27	4I	R160	5I	R320	4F	U210	3F
C40	3I	CR345	5E	R28	3I	R161	5I	R322	4D	U215	3E
C53	3G	CR350	5E	R29	3I	R162	5I	R323	5D	U230	3F
C57	4G	CR351	5E	R30	4I	R163	5I	R324	4D	U240	4E
C64	3I	CR366	3B	R32	4I	R164	5I	R325	4D	U250	2F
C69	3H	CR386	2B	R33	4I	R166	5H	R326	4D	U255	2G
C122	5K			R34	4I	R167	5I	R327	5C	U256	2I
C123	5K	F366	4B	R35	4H	R168	5H	R328	5C	U260	2H
C125	6J	F386	4B	R36	4H	R169	5I	R333	4E	U265	2I
C126	6J			R37	4H	R203	2D	R334	5E	U290	2G
C127	5J	L360	4H	R40	4H	R204	2D	R335	5D	U325	4D
C128	4K	L361	5H	R42	4H	R205	2D	R336	5D	U327	3D
C134	5I	L362	5F	R44	4G	R206	2C	R337	5D	U340	3D
C135	5I	L363	4C	R46	4G	R207	2D	R338	5C	U360	5B
C136	5H	L367	2D	R47	4G	R229	3F	R339	5C	U380	2B
C140	4I	L380	3I	R49	4G	R230	4F	R340	4E		
C153	5F	L382	5J	R50	3G	R231	4E	R342	5E	VR58	4F
C156	5G			R52	3G	R232	3F	R343	5E	VR158	5F
C164	5I	P20	4J	R56	4G	R242	4F	R344	5E	VR366	4B
C204	2D	P50	3H	R57	3G	R244	3G	R345	5E	VR386	2C
C241	4F	P70	3I	R58	4G	R245	3E	R346	3C		
C279	2F	P120	5K	R59	4F	R246	3F	R347	3C	W36	4H
C285	3H	P150	5F	R60	4I	R247	4E	R348	3C	W42	4H
C286	3I	P170	6I	R61	3I	R248	4E	R350	5E	W55	3G
C287	3H	P250	1G	R62	3I	R249	4E	R352	5C	W65	3H
C288	4D	P255	1H	R63	4I	R250	2G	R353	5C	W136	5H
C290	3D	P260	2I	R64	3H	R251	2G	R360	4B	W142	5H
C320	4F	P265	1I	R66	3H	R252	2G	R361	4B	W155	5G
C325	4D	P270	1E	R67	3H	R253	2F	R362	5B	W165	5I
C337	5D	P315	5F	R68	3H	R254	1F	R363	3B	W245	4E
C340	4E	P325	5D	R69	3H	R260	2E	R364	4B		
C347	3C			R122	5K	R262	2E	R366	4B		
C359	5B	Q28	4I	R123	5K	R264	2E	R375	5B		
C360	4G	Q30	4I	R124	5J	R266	2D	R380	2C		
C361	5G	Q35	4H	R125	5J	R270	2E	R382	2C		
C362	5E	Q40	4H	R126	5J	R271	2E	R383	2C		
C363	3C	Q60	4I	R127	5J	R272	2E	R384	2C		
C364	4C	Q128	5J	R128	5K	R273	2E	R385	3B		
C365	2B	Q130	5J	R129	5J	R275	2E	R386	2C		
C366	5C	Q135	5I	R130	5J	R276	2E				
C367	2D	Q140	5I	R132	5J	R277	2E	TP30	4I		
C368	4D	Q160	5I	R133	5J	R278	2E	TP33	4I		
C369	4C	Q205	2D	R134	5I	R280	3F	TP130	4I		
C376	5G	Q280	3I	R135	5H	R282	3E	TP230	4F		
C377	3D	Q290	3D	R136	5H	R283	2E	TP235	4F		
C380	3I	Q320	4F	R137	5H	R284	3E	TP246	5F		
C382	4J	Q325	4D	R140	5H	R286	2I	TP245	2H		
C384	2C	Q330	4F	R142	5H	R287	2H	TP246	4E		
C386	2C	Q335	5D	R144	5H	R289	3E	TP247	4E		

VOLTAGES AND WAVEFORMS

The voltages and waveforms shown on this diagram were obtained using the recommended test equipment and test set-ups listed below.

RECOMMENDED TEST EQUIPMENT

Item	Specifications	Recommended Type
Oscilloscope	Frequency response: Dc to 65 MHz Deflection factor: 5 mV to 5 V/div Input impedance: 10 MΩ, 20 pF Sweep rate: 500 ns	Tektronix 7603 or 7613 equipped with 7A15A Amplifier and 7B53A Time-Base unit, or equivalent. A 7A13 Differential Comparator was used to obtain offset.
Probe	Fast rise 10X attenuation probe compatible with the vertical amplifier of the test oscilloscope.	Tektronix P6053B, or equivalent.
Voltmeter (Non-Loading Digital Multimeter)	Input impedance: 10 MΩ Range: 0 to 500 V	Tektronix 7D13 Digital Multimeter (test oscilloscope must have readout system) or Tektronix DM 501 Digital Multimeter with power module, or equivalent.

VOLTAGE MEASUREMENTS

Voltage measurements on this diagram were made under the following conditions:

- Set EVENTS DELAY COUNT switches to 00010
- Set EVENTS and START SLOPE switches to IN:+
- Set EVENTS and START LEVEL controls to 0 (zero, mid-range)
- NO signal to INPUTS
- Voltmeter common is connected to chassis ground

WAVEFORMS

Waveforms shown on this diagram were obtained under the following conditions:

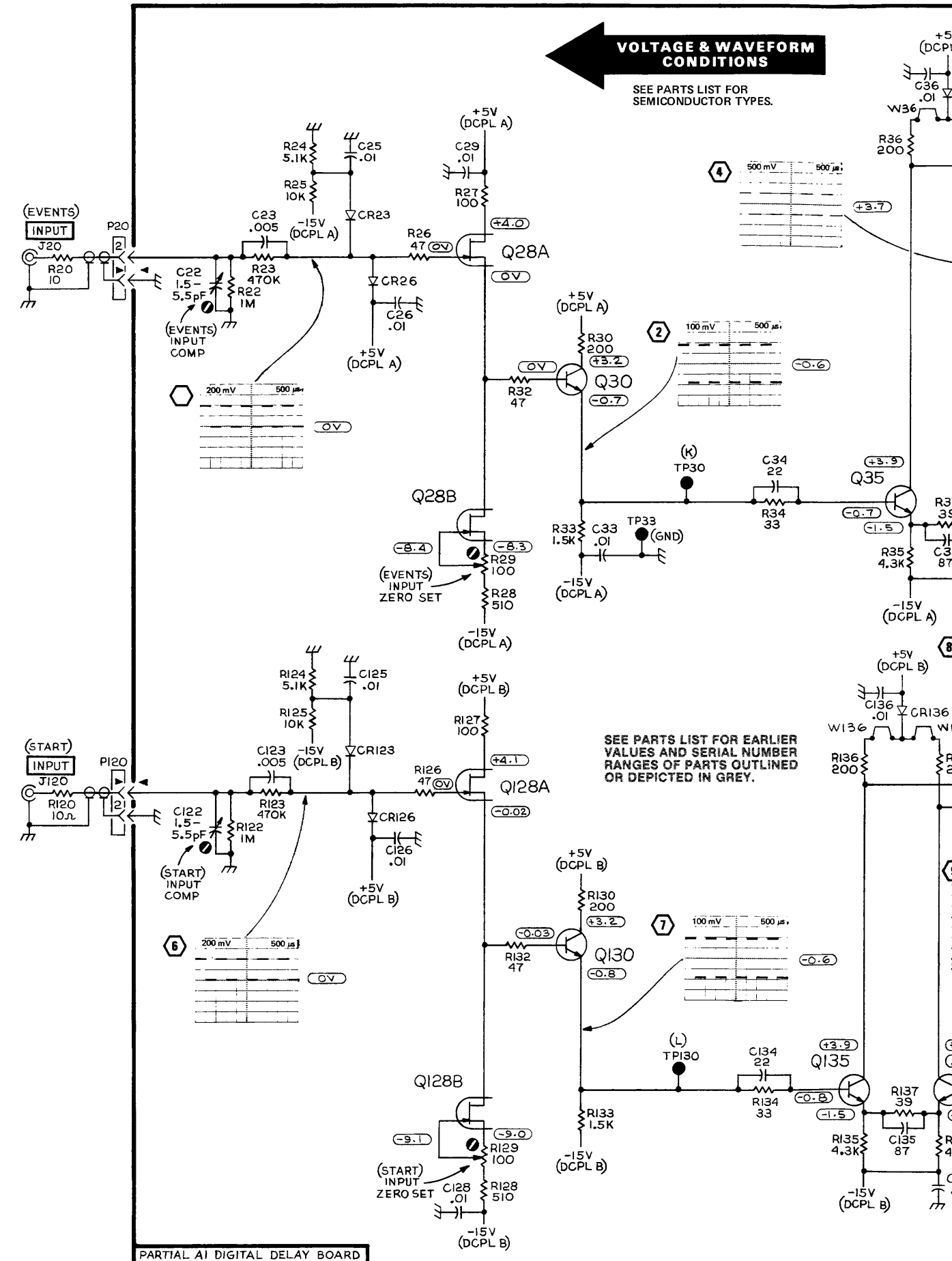
DD 501 UNDER TEST

Front-panel controls are set the same as for voltage measurements. The test oscilloscope 0.4 Volts calibrator signal is applied to both the EVENTS and START INPUTS.

TEST OSCILLOSCOPE

The test oscilloscope is dc coupled and externally triggered from the CALIBRATOR OUTPUT only where 1 kHz calibrator signals are present, and internally triggered on all other waveforms.

Tolerances of voltages and waveforms shown are 20%.



ment and test set-ups

ended Type

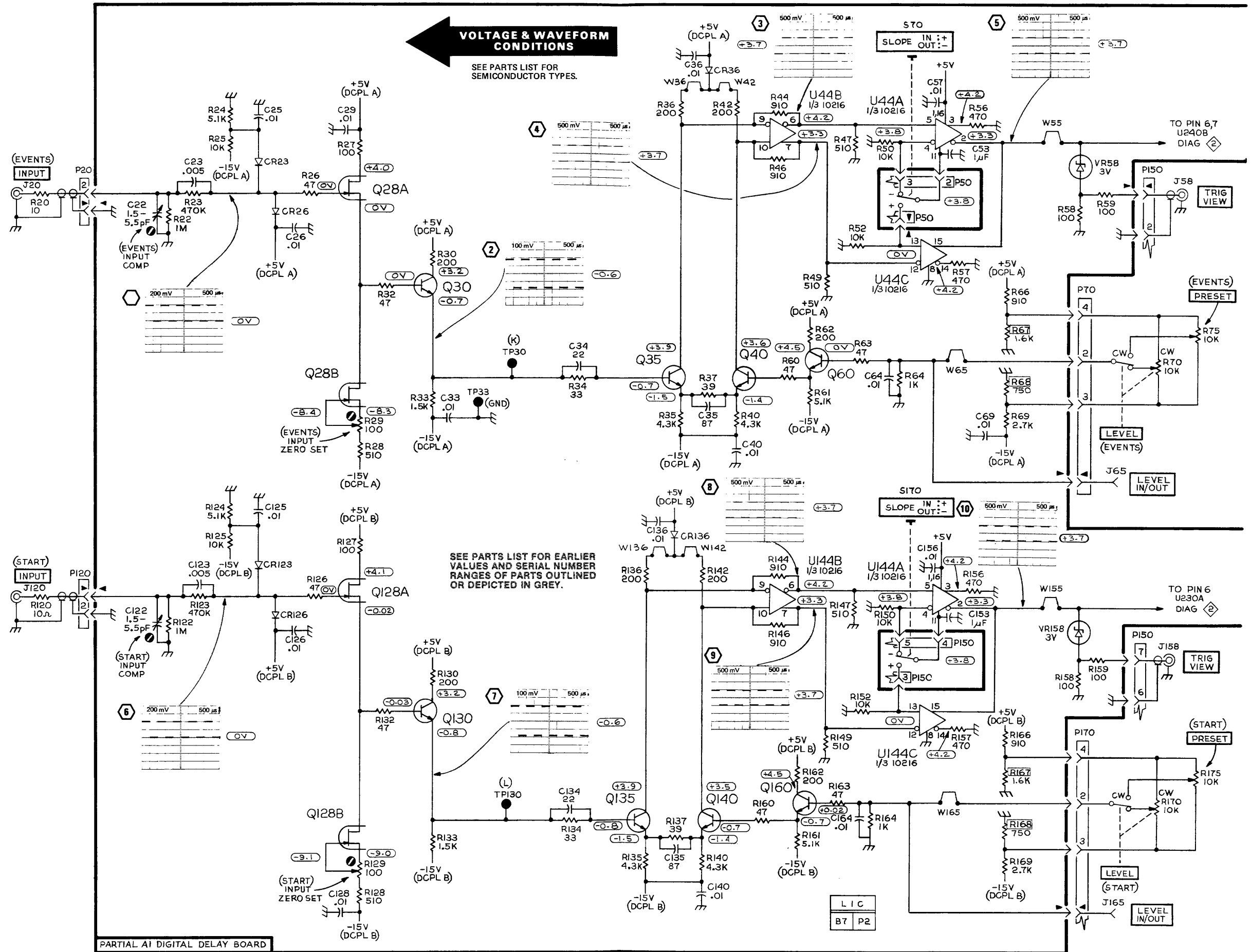
equipped with 7A15A
ne-Base unit, or equi-
tial Comparator was

ivalent.

Multimeter (test oscil-
t system) or Tektronix
er with power module,

s calibrator signal is

ily where 1 kHz



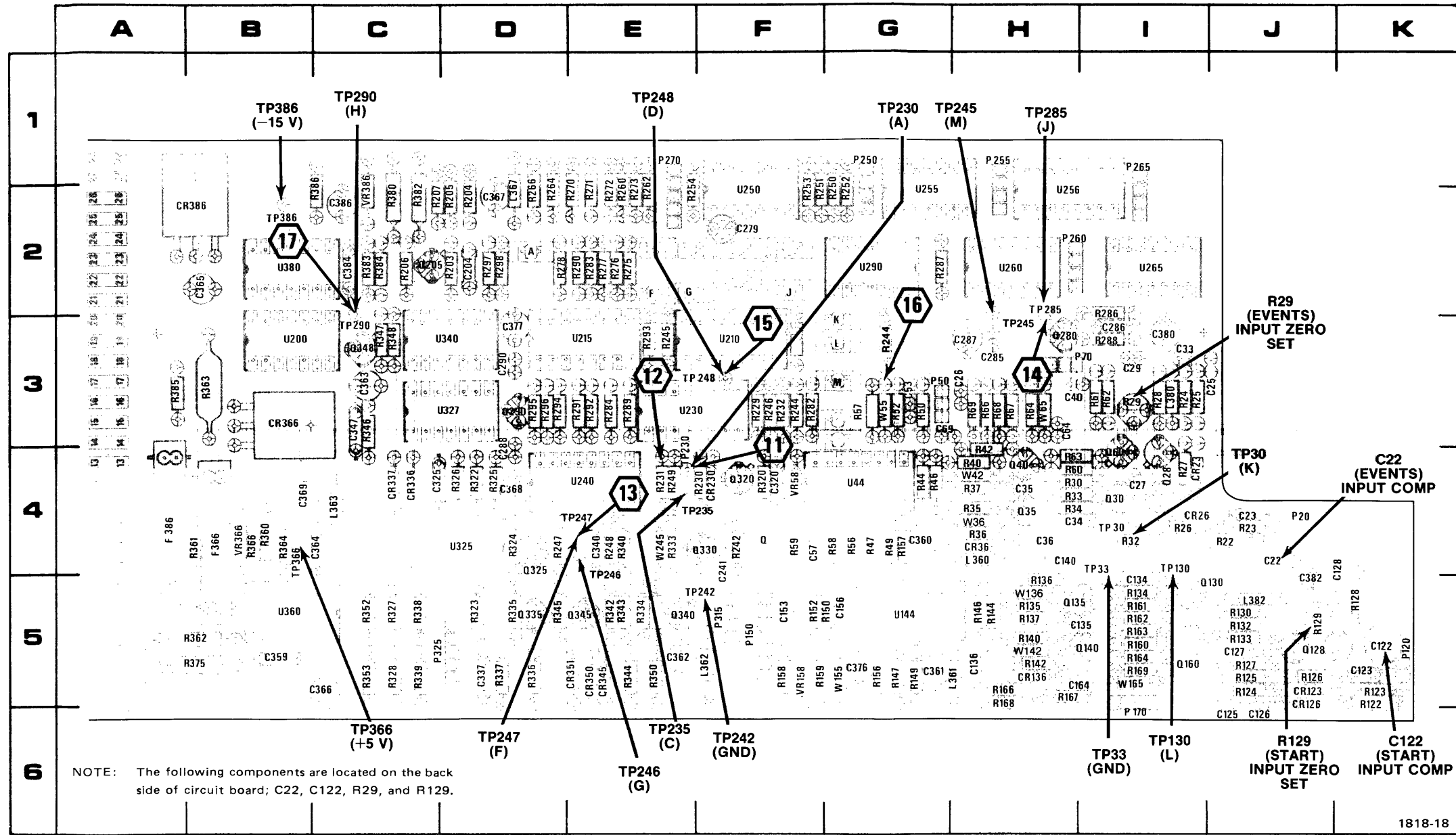
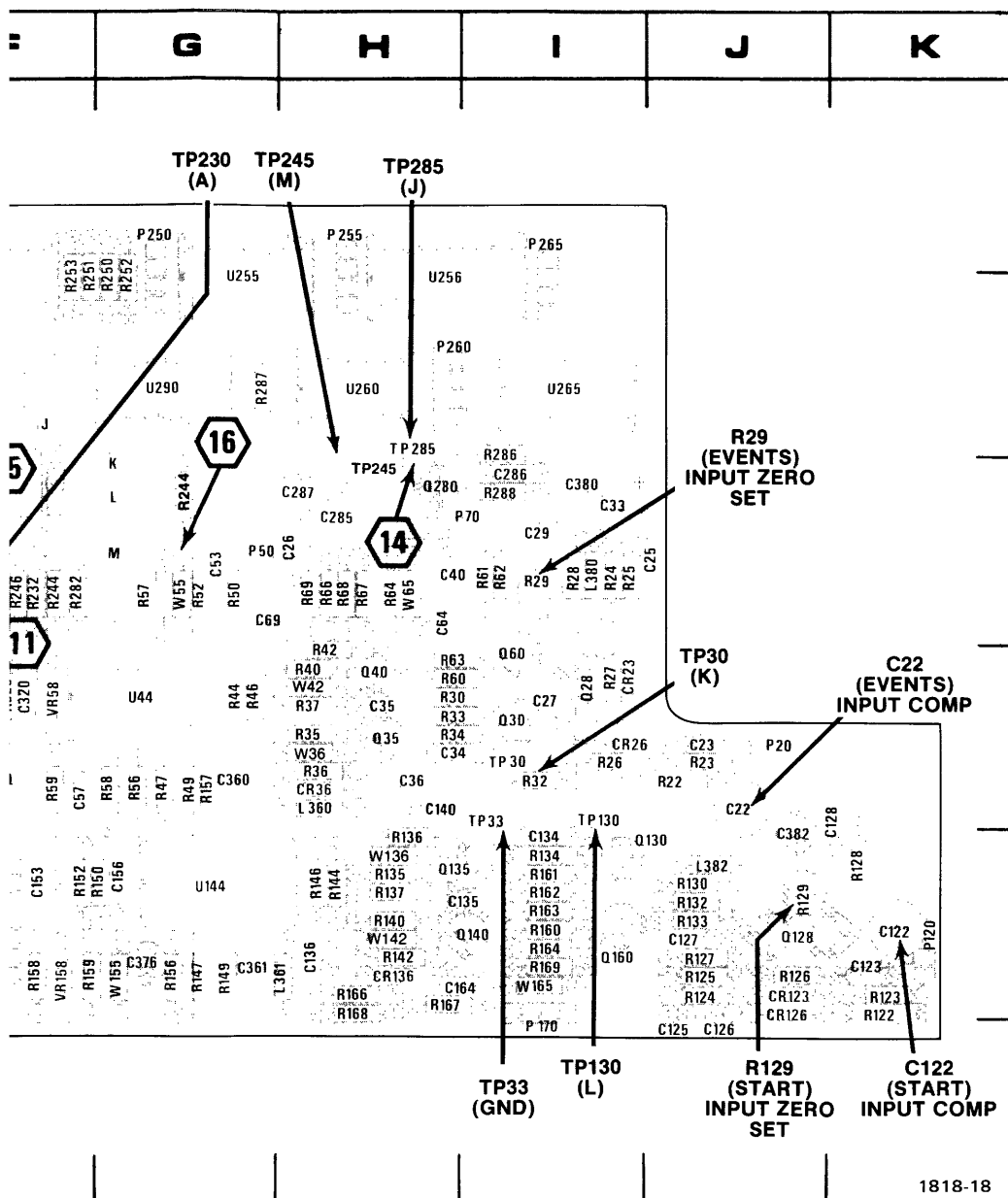


Fig. 7-2A. A1-Digital Delay circuit board component locations, SN B020530 and up.

CKT NO	GRID LOC	CKT NO	GRID LOC	CKT NO	GRID LOC	CKT NO	GRID LOC	CKT NO	GRID LOC
C22	4J	CR23	4J	Q340	5F	R146	5H	R290	
C23	4J	CR26	4J	Q345	5E	R147	5G	R291	
C25	3J	CR36	4H	Q348	3C	R149	5G	R292	
C26	3H	CR123	5J			R150	5G	R293	
C27	4I	CR126	5J	R22	4J	R152	5G	R294	
C29	3I	CR136	5H	R23	4J	R156	5G	R295	
C33	3I	CR230	4F	R24	3I	R157	4G	R296	
C34	4I	CR282	2E	R25	3J	R158	5F	R297	
C35	4H	CR336	4C	R26	4I	R159	5G	R298	
C36	4H	CR337	4C	R27	4I	R160	5I	R320	
C40	3I	CR345	5E	R28	3I	R161	5I	R322	
C53	3G	CR350	5E	R29	3I	R162	5I	R323	
C57	4G	CR351	5E	R30	4I	R163	5I	R324	
C64	3I	CR366	3B	R32	4I	R164	5I	R325	
C69	3H	CR386	2B	R33	4I	R166	5H	R326	
C122	5K			R34	4I	R167	5I	R327	
C123	5K	F366	4B	R35	4H	R168	5H	R328	
C125	6J	F386	4B	R36	4H	R169	5I	R333	
C126	6J			R37	4H	R203	2D	R334	
C127	5J	L360	4H	R40	4H	R204	2D	R335	
C128	4K	L361	5H	R42	4H	R205	2D	R336	
C134	5I	L362	5F	R44	4G	R206	2C	R337	
C135	5I	L363	4C	R46	4G	R207	2D	R338	
C136	5H	L367	2D	R47	4G	R229	3F	R339	
C140	4I	L380	3I	R49	4G	R230	4F	R340	
C153	5F	L382	5J	R50	3G	R231	4E	R342	
C156	5G			R52	3G	R232	3F	R343	
C164	5I	P20	4J	R56	4G	R242	4F	R344	
C204	2D	P50	3H	R57	3G	R244	3G	R345	
C241	4F	P70	3I	R58	4G	R245	3E	R346	
C279	2F	P120	5K	R59	4F	R246	3F	R347	
C285	3H	P150	5F	R60	4I	R247	4E	R348	
C286	3I	P170	6I	R61	3I	R248	4E	R350	
C287	3H	P250	1G	R62	3I	R249	4E	R352	
C288	4D	P255	1H	R63	4I	R250	2G	R353	
C290	3D	P260	2I	R64	3H	R251	2G	R360	
C320	4F	P265	1I	R66	3H	R252	2G	R361	
C325	4D	P270	1E	R67	3H	R253	2F	R362	
C337	5D	P315	5F	R68	3H	R254	1F	R363	
C340	4E	P325	5D	R69	3H	R260	2E	R364	
C347	3C			R122	5K	R262	2E	R366	
C359	5B	Q28	4I	R123	5K	R264	2E	R375	
C360	4G	Q30	4I	R124	5J	R266	2D	R380	
C361	5G	Q35	4H	R125	5J	R270	2E	R382	
C362	5E	Q40	4H	R126	5J	R271	2E	R383	
C363	3C	Q60	4I	R127	5J	R272	2E	R384	
C364	4C	Q128	5J	R128	5K	R273	2E	R385	
C365	2B	Q130	5J	R129	5J	R275	2E	R386	
C366	5C	Q135	5I	R130	5J	R276	2E		
C367	2D	Q140	5I	R132	5J	R277	2E	TP30	
C368	4D	Q160	5I	R133	5J	R278	2E	TP33	
C369	4C	Q205	2D	R134	5I	R280	3F	TP130	
C376	5G	Q280	3I	R135	5H	R282	3E	TP230	
C377	3D	Q290	3D	R136	5H	R283	2E	TP235	
C380	3I	Q320	4F	R137	5H	R284	3E	TP242	
C382	4J	Q325	4D	R140	5H	R286	2I	TP245	
C384	2C	Q330	4F	R142	5H	R287	2H	TP246	
C386	2C	Q335	5D	R144	5H	R289	3E	TP247	



CKT NO	GRID LOC	CKT NO	GRID LOC	CKT NO	GRID LOC	CKT NO	GRID LOC	CKT NO	GRID LOC	CKT NO	GRID LOC
C22	4J	CR23	4J	Q340	5F	R146	5H	R290	2E	TP248	3F
C23	4J	CR26	4J	Q345	5E	R147	5G	R291	3E	TP285	2H
C25	3J	CR36	4H	Q348	3C	R149	5G	R292	3E	TP290	3C
C26	3H	CR123	5J			R150	5G	R293	3E	TP366	4C
C27	4I	CR126	5J	R22	4J	R152	5G	R294	3E	TP386	2B
C29	3I	CR136	5H	R23	4J	R156	5G	R295	3D		
C33	3I	CR230	4F	R24	3I	R157	4G	R296	3D	U44	4G
C34	4I	CR282	2E	R25	3J	R158	5F	R297	2D	U144	5G
C35	4H	CR336	4C	R26	4I	R159	5G	R298	2D	U200	3B
C36	4H	CR337	4C	R27	4I	R160	5I	R320	4F	U210	3F
C40	3I	CR345	5E	R28	3I	R161	5I	R322	4D	U215	3E
C53	3G	CR350	5E	R29	3I	R162	5I	R323	5D	U230	3F
C57	4G	CR351	5E	R30	4I	R163	5I	R324	4D	U240	4E
C64	3I	CR366	3B	R32	4I	R164	5I	R325	4D	U250	2F
C69	3H	CR386	2B	R33	4I	R166	5H	R326	4D	U255	2G
C122	5K			R34	4I	R167	5I	R327	5C	U256	2I
C123	5K	F366	4B	R35	4H	R168	5H	R328	5C	U260	2H
C125	6J	F386	4B	R36	4H	R169	5I	R333	4E	U265	2I
C126	6J			R37	4H	R203	2D	R334	5E	U290	2G
C127	5J	L360	4H	R40	4H	R204	2D	R335	5D	U325	4D
C128	4K	L361	5H	R42	4H	R205	2D	R336	5D	U327	3D
C134	5I	L362	5F	R44	4G	R206	2C	R337	5D	U340	3D
C135	5I	L363	4C	R46	4G	R207	2D	R338	5C	U360	5B
C136	5H	L367	2D	R47	4G	R229	3F	R339	5C	U380	2B
C140	4I	L380	3I	R49	4G	R230	4F	R340	4E		
C153	5F	L382	5J	R50	3G	R231	4E	R342	5E	VR58	4F
C156	5G			R52	3G	R232	3F	R343	5E	VR158	5F
C164	5I	P20	4J	R56	4G	R242	4F	R344	5E	VR366	4B
C204	2D	P50	3H	R57	3G	R244	3G	R345	5E	VR386	2C
C241	4F	P70	3I	R58	4G	R245	3E	R346	3C		
C279	2F	P120	5K	R59	4F	R246	3F	R347	3C	W36	4H
C285	3H	P150	5F	R60	4I	R247	4E	R348	3C	W42	4H
C286	3I	P170	6I	R61	3I	R248	4E	R350	5E	W55	3G
C287	3H	P250	1G	R62	3I	R249	4E	R352	5C	W65	3H
C288	4D	P255	1H	R63	4I	R250	2G	R353	5C	W136	5H
C290	3D	P260	2I	R64	3H	R251	2G	R360	4B	W142	5H
C320	4F	P265	1I	R66	3H	R252	2G	R361	4B	W155	5G
C325	4D	P270	1E	R67	3H	R253	2F	R362	5B	W165	5I
C337	5D	P315	5F	R68	3H	R254	1F	R363	3B	W245	4E
C340	4E	P325	5D	R69	3H	R260	2E	R364	4B		
C347	3C			R122	5K	R262	2E	R366	4B		
C359	5B	Q28	4I	R123	5K	R264	2E	R375	5B		
C360	4G	Q30	4I	R124	5J	R266	2D	R380	2C		
C361	5G	Q35	4H	R125	5J	R270	2E	R382	2C		
C362	5E	Q40	4H	R126	5J	R271	2E	R383	2C		
C363	3C	Q60	4I	R127	5J	R272	2E	R384	2C		
C364	4C	Q128	5J	R128	5K	R273	2E	R385	3B		
C365	2B	Q130	5J	R129	5J	R275	2E	R386	2C		
C366	5C	Q135	5I	R130	5J	R276	2E				
C367	2D	Q140	5I	R132	5J	R277	2E	TP30	4I		
C368	4D	Q160	5I	R133	5J	R278	2E	TP33	4I		
C369	4C	Q205	2D	R134	5I	R280	3F	TP130	4I		
C376	5G	Q280	3I	R135	5H	R282	3E	TP230	4F		
C377	3D	Q290	3D	R136	5H	R283	2E	TP235	4F		
C380	3I	Q320	4F	R137	5H	R284	3E	TP242	5F		
C382	4J	Q325	4D	R140	5H	R286	2I	TP245	2H		
C384	2C	Q330	4F	R142	5H	R287	2H	TP246	4E		
C386	2C	Q335	5D	R144	5H	R289	3E	TP247	4E		

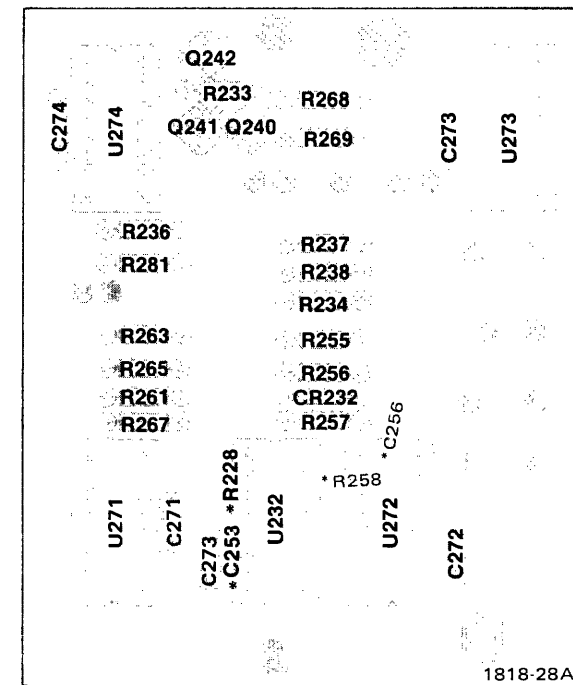


Fig. 7-2B. A1A1-Counter Side Board.

*See Parts List for serial number ranges.

VOLTAGES AND WAVEFORMS

The voltages and waveforms shown on this diagram were obtained using the recommended test equipment and test set-ups listed below.

RECOMMENDED TEST EQUIPMENT

Item	Specifications	Recommended Type
Oscilloscope	Frequency response: Dc to 65 MHz Deflection factor: 5 mV to 5 V/div Input impedance: 10 MΩ, 20 pF Sweep rate: 500 ns	Tektronix 7603 or 7613 equipped with 7A15A Amplifier and 7B53A Time-Base unit, or equivalent. A 7A13 Differential Comparator was used to obtain offset.
Probe	Fast rise 10X attenuation probe compatible with the vertical amplifier of the test oscilloscope.	Tektronix P6053B, or equivalent.
Voltmeter (Non-Loading Digital Multimeter)	Input impedance: 10 MΩ Range: 0 to 500 V	Tektronix 7D13 Digital Multimeter (test oscilloscope must have readout system) or Tektronix DM 501 Digital Multimeter with power module, or equivalent.

VOLTAGE MEASUREMENTS

Voltage measurements on this diagram were made under the following conditions:

- Set EVENTS DELAY COUNT switches to 00010
- Set EVENTS and START SLOPE switches to IN:+
- Set EVENTS and START LEVEL controls to 0 (zero, mid-range)
- NO signal to INPUTS
- Voltmeter common is connected to chassis ground

WAVEFORMS

Waveforms shown on this diagram were obtained under the following conditions:

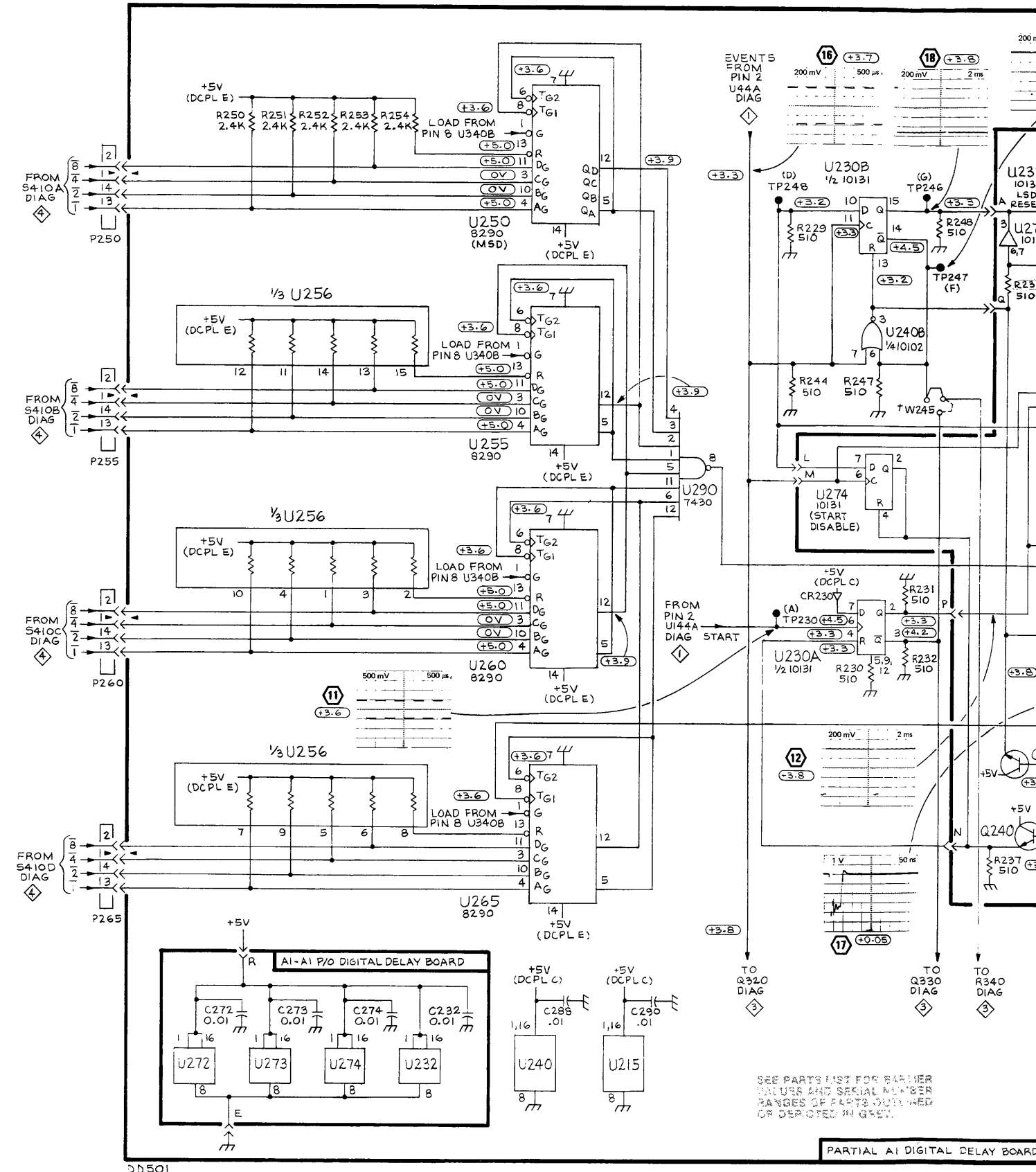
DD 501 UNDER TEST

Front-panel controls are set the same as for voltage measurements. The test oscilloscope 0.4 Volts calibrator signal is applied to both the EVENTS and START INPUTS.

TEST OSCILLOSCOPE

The test oscilloscope is dc coupled and externally triggered from the CALIBRATOR OUTPUT only where 1 kHz calibrator signals are present, and internally triggered on all other waveforms.

Tolerances of voltages and waveforms shown are 20%.



SEE PARTS LIST FOR PART NUMBER VALUES AND SERIAL NUMBER RANGES OF PARTS OUTLINED OR DEPICTED IN GREY.

PARTIAL AI DIGITAL DELAY BOARD

REV F FEB 1980

1818-19

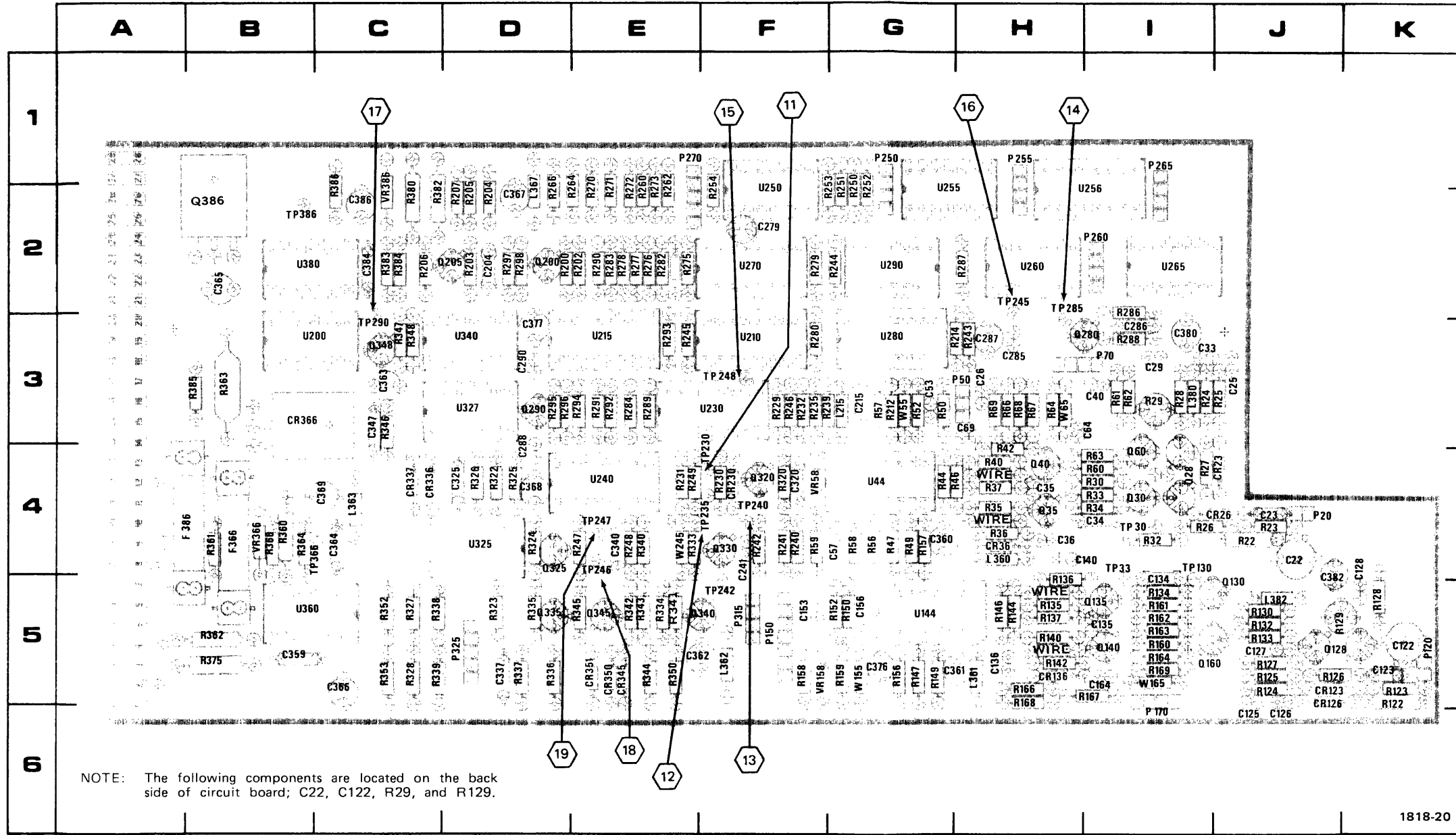


Fig. 7-2C. A1 Digital Delay circuit board component locations, SN B020529 and below.

CKT NO	GRID LOC	CKT NO	GRID LOC	CKT NO	GRID LOC	CKT NO	GRID LOC	CKT NO
C22	4J	CR23	4J	Q280	3I	R136	5H	R21
C23	4J	CR26	4J	Q290	3D	R137	5H	R21
C26	3H	CR36	4H	Q320	4F	R140	5H	R21
C27	4I	CR123	5J	Q325	4D	R142	5H	R21
C29	3I	CR126	5J	Q330	4F	R144	5H	R21
C25	3J	CR136	5H	Q335	5D	R146	5H	R21
C33	3I	CR230	4F	Q340	5F	R147	5G	R21
C34	4I	CR282	2E	Q345	5E	R149	5G	R21
C35	4H	CR336	4C	Q348	3C	R150	5G	R21
C36	4H	CR377	4C	Q386	2B	R152	5G	R21
C40	3I	CR345	5E	R22	4J	R156	5G	R21
C53	3G	CR350	5E	R23	4J	R157	4G	R21
C57	4G	CR351	5E	R24	3I	R158	5F	R21
C64	3I	CR366	3B	R25	3J	R159	5G	R21
C69	3H	CR386	2B	R26	4I	R160	5I	R21
C122	5K			R27	4I	R161	5I	R21
C123	5K	F366	4B	R28	3I	R162	5I	R21
C125	6J	F386	4B	R29	3I	R163	5I	R21
C126	6J			R30	4I	R164	5I	R21
C127	5J	L215	3G	R32	4I	R166	5H	R21
C128	4K	L360	4H	R33	4I	R167	5I	R21
C134	5I	L361	5H	R34	4I	R168	5H	R21
C135	5I	L363	4C	R35	4H	R169	5I	R21
C136	5H	L362	5F	R36	4H	R200	2D	R31
C140	4I	L367	2D	R37	4H	R202	2E	R31
C153	5F	L380	3I	R40	4H	R203	2D	R31
C156	5G	L382	5J	R42	4H	R204	2D	R31
C164	5I			R44	4G	R205	2D	R31
C204	2D			R46	4G	R206	2C	R31
C215	3G			R47	4G	R207	2D	R31
C241	4F			R49	4G	R212	3G	R31
C279	2F			R50	3G	R214	3G	R31
C285	3H			R52	3G	R229	3F	R31
C286	3I	P20	4J	R56	4G	R230	4F	R31
C287	3H	P50	3H	R57	3G	R231	4E	R31
C288	4D	P70	3I	R58	4G	R232	3F	R31
C290	3D	P120	5K	R59	4F	R235	3F	R31
C320	4F	P150	5F	R60	4I	R239	3F	R31
C325	4D	P170	6I	R61	3I	R240	4F	R34
C337	5D	P250	1G	R62	3I	R241	4F	R34
C340	4E	P255	1H	R63	4I	R242	4F	R34
C347	3C	P260	2I	R64	3H	R243	3H	R34
C359	5B	P265	1I	R66	3H	R244	2G	R34
C360	4G	P270	1E	R67	3H	R245	3E	R34
C361	5G	P315	5F	R68	3H	R246	3F	R34
C362	5E	P325	5D	R69	3H	R247	4E	R34
C363	3C			R122	5K	R248	4E	R35
C364	4C	Q28	4I	R123	5K	R249	4E	R35
C365	2B	Q35	4H	R124	5J	R250	2G	R35
C366	5C	Q30	4I	R125	5J	R251	2G	R36
C367	2D	Q40	4H	R126	5J	R252	2G	R36
C368	4D	Q60	4I	R127	5J	R253	2F	R36
C369	4C	Q130	5J	R128	5K	R254	1F	R36
C376	5G	Q128	5J	R129	5J	R260	2E	R36
C377	3D	Q135	5I	R130	5J	R262	2E	R36
C380	3I	Q140	5I	R132	5J	R264	2E	R37
C382	4J	Q160	5I	R133	5J	R266	2D	R38
C384	2C	Q200	2D	R134	5I	R270	2E	R38
C386	2C	Q205	2D	R135	5H	R271	2E	R38

ment and test set-ups

led Type

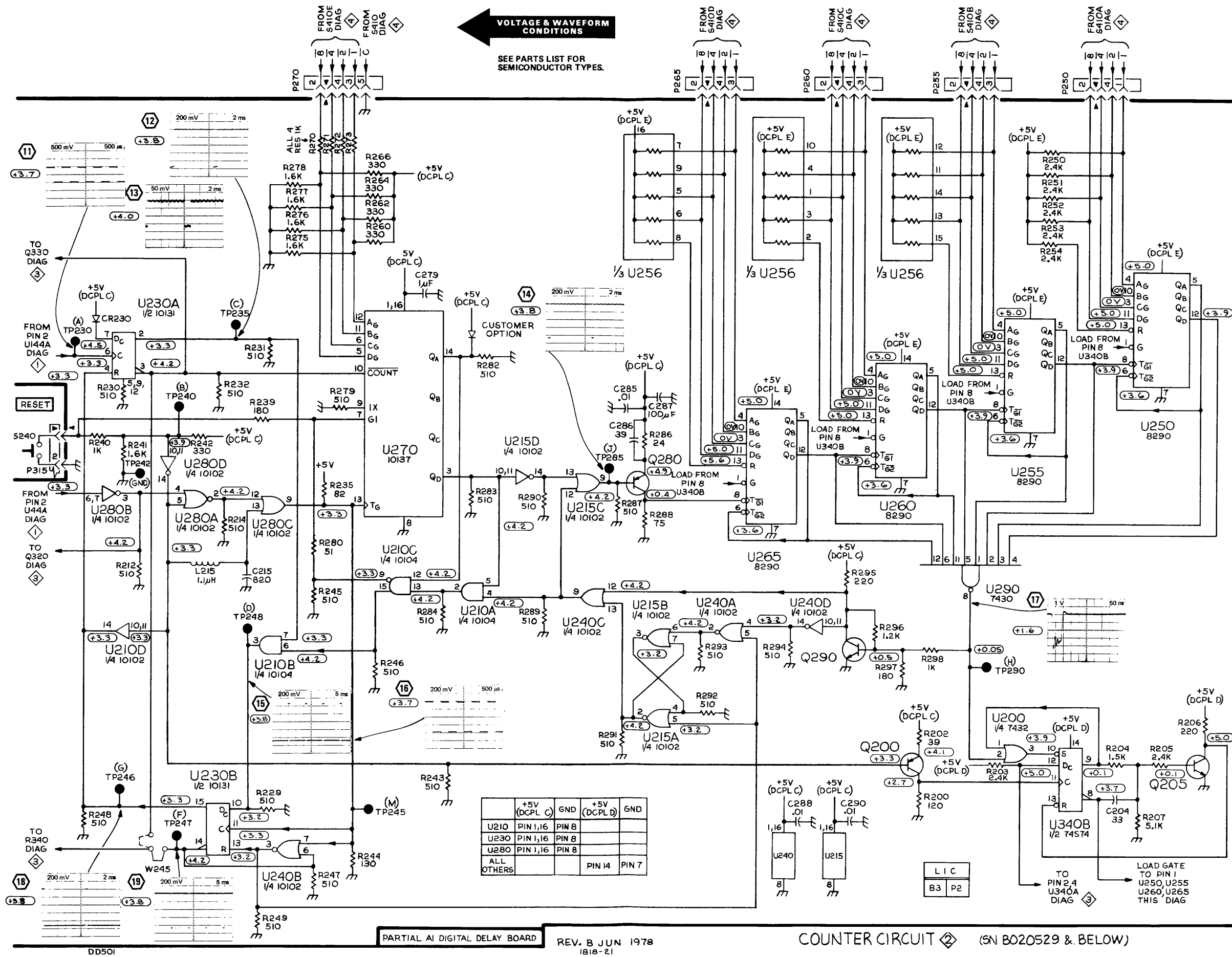
ipped with 7A15A
-Base unit, or equi-
l Comparator was

valent.

ltimeter (test oscil-
system) or Tektronix
with power module,

calibrator signal is

where 1 kHz



PARTIAL AI DIGITAL DELAY BOARD

REV. B JUN 1978
1818-21

COUNTER CIRCUIT (5N B020529 & BELOW)

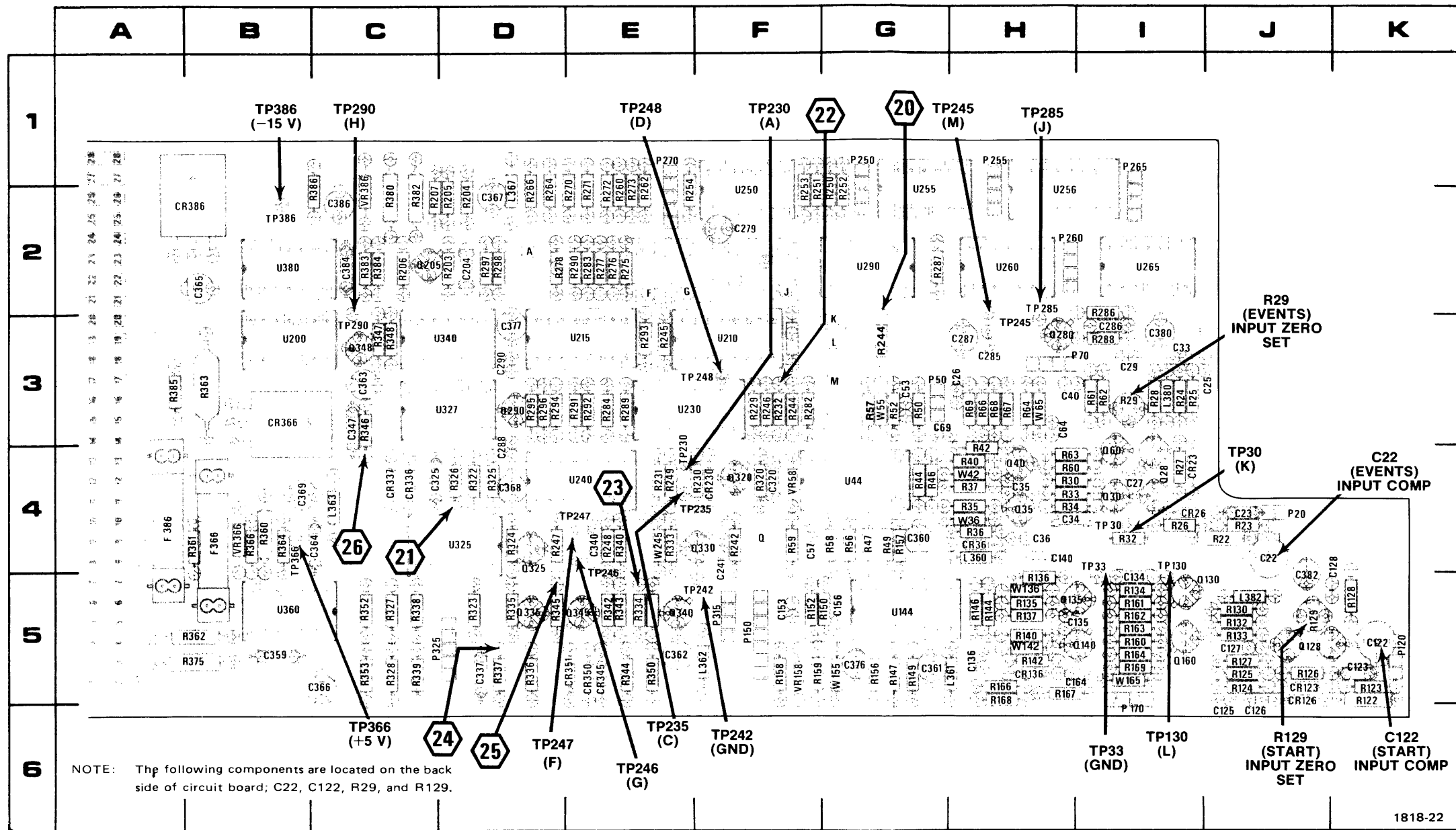


Fig. 7-3. A1-Digital Delay circuit board component locations, SN B020530 and up.

CKT NO	GRID LOC	CKT NO	GRID LOC	CKT NO	GRID LOC	CKT NO	GRID LOC	CKT NO	GRID LOC
C22	4J	CR23	4J	Q340	5F	R146	5H	R290	
C23	4J	CR26	4J	Q345	5E	R147	5G	R291	
C25	3J	CR36	4H	Q348	3C	R149	5G	R292	
C26	3H	CR123	5J			R150	5G	R293	
C27	4I	CR126	5J	R22	4J	R152	5G	R294	
C29	3I	CR136	5H	R23	4J	R156	5G	R295	
C33	3I	CR230	4F	R24	3I	R157	4G	R296	
C34	4I	CR282	2E	R25	3J	R158	5F	R297	
C35	4H	CR336	4C	R26	4I	R159	5G	R298	
C36	4H	CR337	4C	R27	4I	R160	5I	R320	
C40	3I	CR345	5E	R28	3I	R161	5I	R322	
C53	3G	CR350	5E	R29	3I	R162	5I	R323	
C57	4G	CR351	5E	R30	4I	R163	5I	R324	
C64	3I	CR366	3B	R32	4I	R164	5I	R325	
C69	3H	CR386	2B	R33	4I	R166	5H	R326	
C122	5K			R34	4I	R167	5I	R327	
C123	5K	F366	4B	R35	4H	R168	5H	R328	
C125	6J	F386	4B	R36	4H	R169	5I	R333	
C126	6J			R37	4H	R203	2D	R334	
C127	5J	L360	4H	R40	4H	R204	2D	R335	
C128	4K	L361	5H	R42	4H	R205	2D	R336	
C134	5I	L362	5F	R44	4G	R206	2C	R337	
C135	5I	L363	4C	R46	4G	R207	2D	R338	
C136	5H	L367	2D	R47	4G	R229	3F	R339	
C140	4I	L380	3I	R49	4G	R230	4F	R340	
C153	5F	L382	5J	R50	3G	R231	4E	R342	
C156	5G			R52	3G	R232	3F	R343	
C164	5I	P20	4J	R56	4G	R242	4F	R344	
C204	2D	P50	3H	R57	3G	R244	3G	R345	
C241	4F	P70	3I	R58	4G	R245	3E	R346	
C279	2F	P120	5K	R59	4F	R246	3F	R347	
C285	3H	P150	5F	R60	4I	R247	4E	R348	
C286	3I	P170	6I	R61	3I	R248	4E	R350	
C287	3H	P250	1G	R62	3I	R249	4E	R352	
C288	4D	P255	1H	R63	4I	R250	2G	R353	
C290	3D	P260	2I	R64	3H	R251	2G	R360	
C320	4F	P265	1I	R66	3H	R252	2G	R361	
C325	4D	P270	1E	R67	3H	R253	2F	R362	
C337	5D	P315	5F	R68	3H	R254	1F	R363	
C340	4E	P325	5D	R69	3H	R260	2E	R364	
C347	3C			R122	5K	R262	2E	R366	
C359	5B	Q28	4I	R123	5K	R264	2E	R375	
C360	4G	Q30	4I	R124	5J	R266	2D	R380	
C361	5G	Q35	4H	R125	5J	R270	2E	R382	
C362	5E	Q40	4H	R126	5J	R271	2E	R383	
C363	3C	Q60	4I	R127	5J	R272	2E	R384	
C364	4C	Q128	5J	R128	5K	R273	2E	R385	
C365	2B	Q130	5J	R129	5J	R275	2E	R386	
C366	5C	Q135	5I	R130	5J	R276	2E		
C367	2D	Q140	5I	R132	5J	R277	2E	TP30	
C368	4D	Q160	5I	R133	5J	R278	2E	TP33	
C369	4C	Q205	2D	R134	5I	R280	3F	TP130	
C376	5G	Q280	3I	R135	5H	R282	3E	TP230	
C377	3D	Q290	3D	R136	5H	R283	2E	TP235	
C380	3I	Q320	4F	R137	5H	R284	3E	TP242	
C382	4J	Q325	4D	R140	5H	R286	2I	TP245	
C384	2C	Q330	4F	R142	5H	R287	2H	TP246	
C386	2C	Q335	5D	R144	5H	R289	3E	TP247	

ment and test set-ups

ded Type

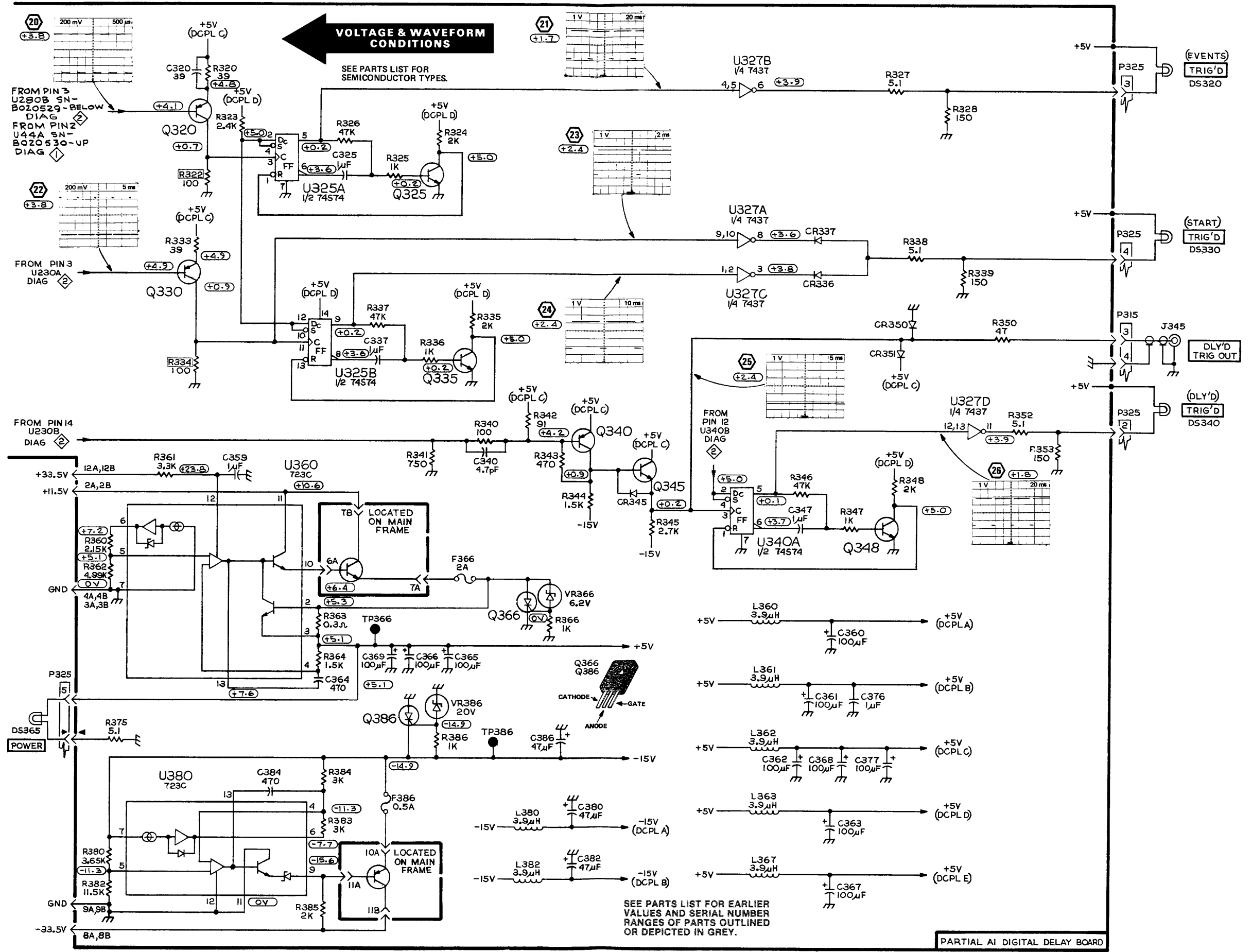
quipped with 7A15A
e-Base unit, or equi-
al Comparator was

ivalent.

ltime-
r with power module,

calibrator signal is

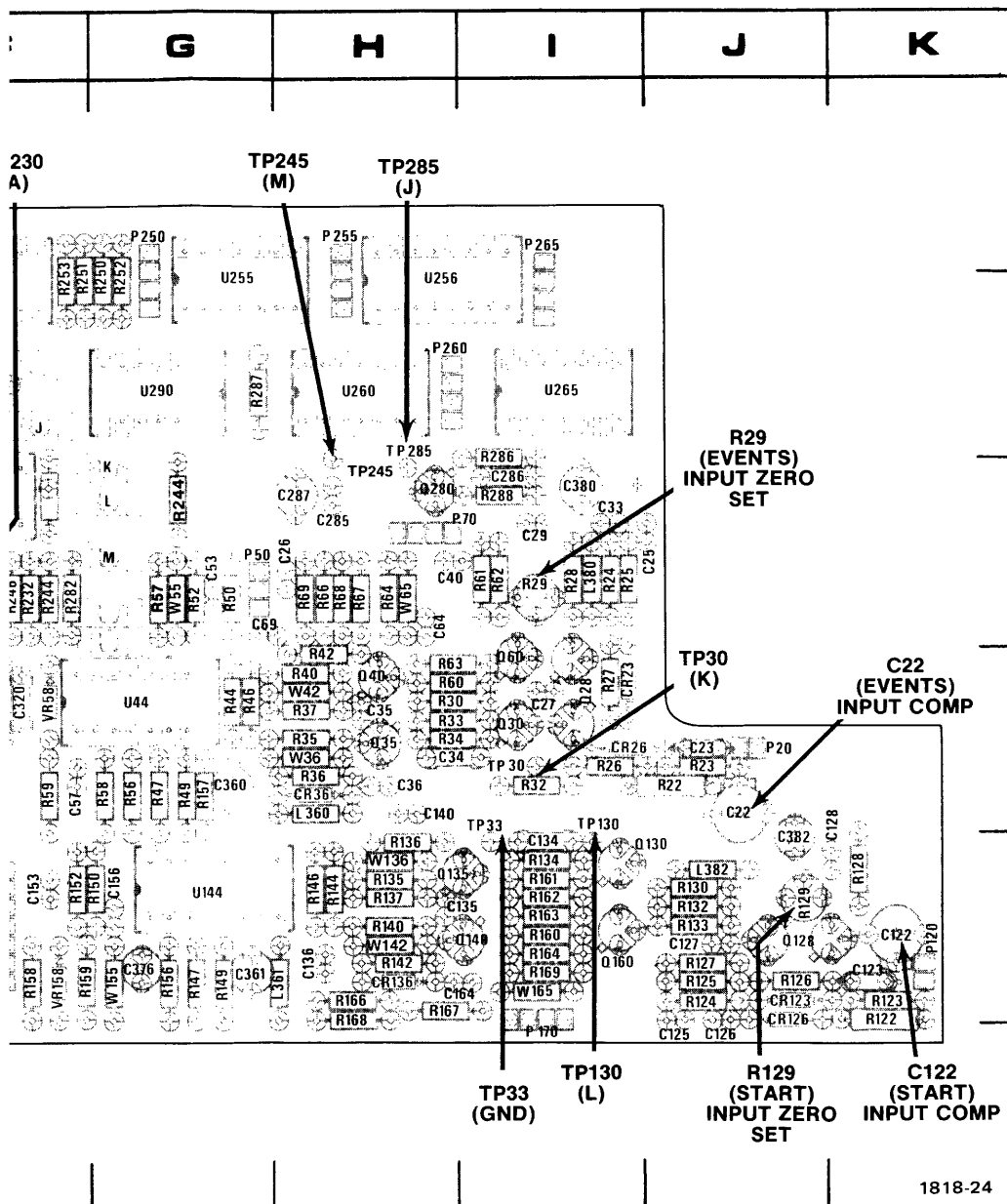
/ where 1 kHz



DD501

REV. B FEB 1980 TB18-23

POWER SUPPLY & TRIGGER INDICATOR



tions, SN B020530 and up.

CKT NO	GRID LOC	CKT NO	GRID LOC	CKT NO	GRID LOC	CKT NO	GRID LOC	CKT NO	GRID LOC	CKT NO	GRID LOC
C22	4J	CR23	4J	Q340	5F	R146	5H	R290	2E	TP248	3F
C23	4J	CR26	4J	Q345	5E	R147	5G	R291	3E	TP285	2H
C25	3J	CR36	4H	Q348	3C	R149	5G	R292	3E	TP290	3C
C26	3H	CR123	5J			R150	5G	R293	3E	TP366	4C
C27	4I	CR126	5J	R22	4J	R152	5G	R294	3E	TP386	2B
C29	3I	CR136	5H	R23	4J	R156	5G	R295	3D		
C33	3I	CR230	4F	R24	3I	R157	4G	R296	3D	U44	4G
C34	4I	CR282	2E	R25	3J	R158	5F	R297	2D	U144	5G
C35	4H	CR336	4C	R26	4I	R159	5G	R298	2D	U200	3B
C36	4H	CR337	4C	R27	4I	R160	5I	R320	4F	U210	3F
C40	3I	CR345	5E	R28	3I	R161	5I	R322	4D	U215	3E
C53	3G	CR350	5E	R29	3I	R162	5I	R323	5D	U230	3F
C57	4G	CR351	5E	R30	4I	R163	5I	R324	4D	U240	4E
C64	3I	CR366	3B	R32	4I	R164	5I	R325	4D	U250	2F
C69	3H	CR386	2B	R33	4I	R166	5H	R326	4D	U255	2G
C122	5K			R34	4I	R167	5I	R327	5C	U256	2I
C123	5K	F366	4B	R35	4H	R168	5H	R328	5C	U260	2H
C125	6J	F386	4B	R36	4H	R169	5I	R333	4E	U265	2I
C126	6J			R37	4H	R203	2D	R334	5E	U290	2G
C127	5J	L360	4H	R40	4H	R204	2D	R335	5D	U325	4D
C128	4K	L361	5H	R42	4H	R205	2D	R336	5D	U327	3D
C134	5I	L362	5F	R44	4G	R206	2C	R337	5D	U340	3D
C135	5I	L363	4C	R46	4G	R207	2D	R338	5C	U360	5B
C136	5H	L367	2D	R47	4G	R229	3F	R339	5C	U380	2B
C140	4I	L380	3I	R49	4G	R230	4F	R340	4E		
C153	5F	L382	5J	R50	3G	R231	4E	R342	5E	VR58	4F
C156	5G			R52	3G	R232	3F	R343	5E	VR158	5F
C164	5I	P20	4J	R56	4G	R242	4F	R344	5E	VR366	4B
C204	2D	P50	3H	R57	3G	R244	3G	R345	5E	VR386	2C
C241	4F	P70	3I	R58	4G	R245	3E	R346	3C		
C279	2F	P120	5K	R59	4F	R246	3F	R347	3C	W36	4H
C285	3H	P150	5F	R60	4I	R247	4E	R348	3C	W42	4H
C286	3I	P170	6I	R61	3I	R248	4E	R350	5E	W55	3G
C287	3H	P250	1G	R62	3I	R249	4E	R352	5C	W65	3H
C288	4D	P255	1H	R63	4I	R250	2G	R353	5C	W136	5H
C290	3D	P260	2I	R64	3H	R251	2G	R360	4B	W142	5H
C320	4F	P265	1I	R66	3H	R252	2G	R361	4B	W155	5G
C325	4D	P270	1E	R67	3H	R253	2F	R362	5B	W165	5I
C337	5D	P315	5F	R68	3H	R254	1F	R363	3B	W245	4E
C340	4E	P325	5D	R69	3H	R260	2E	R364	4B		
C347	3C			R122	5K	R262	2E	R366	4B		
C359	5B	Q28	4I	R123	5K	R264	2E	R375	5B		
C360	4G	Q30	4I	R124	5J	R266	2D	R380	2C		
C361	5G	Q35	4H	R125	5J	R270	2E	R382	2C		
C362	5E	Q40	4H	R126	5J	R271	2E	R383	2C		
C363	3C	Q60	4I	R127	5J	R272	2E	R384	2C		
C364	4C	Q128	5J	R128	5K	R273	2E	R385	3B		
C365	2B	Q130	5J	R129	5J	R275	2E	R386	2C		
C366	5C	Q135	5I	R130	5J	R276	2E				
C367	2D	Q140	5I	R132	5J	R277	2E	TP30	4I		
C368	4D	Q160	5I	R133	5J	R278	2E	TP33	4I		
C369	4C	Q205	2D	R134	5I	R280	3F	TP130	4I		
C376	5G	Q280	3I	R135	5H	R282	3E	TP230	4F		
C377	3D	Q290	3D	R136	5H	R283	2E	TP235	4F		
C380	3I	Q320	4F	R137	5H	R284	3E	TP242	5F		
C382	4J	Q325	4D	R140	5H	R286	2I	TP245	2H		
C384	2C	Q330	4F	R142	5H	R287	2H	TP246	4E		
C386	2C	Q335	5D	R144	5H	R289	3E	TP247	4E		

VOLTAGES AND WAVEFORMS

The voltages and waveforms shown on this diagram were obtained using the recommended test equipment and test set-ups listed below.

RECOMMENDED TEST EQUIPMENT

Item	Specifications	Recommended Type
Oscilloscope	Frequency response: Dc to 65 MHz Deflection factor: 5 mV to 5 V/div Input impedance: 10 MΩ, 20 pF Sweep rate: 500 ns	Tektronix 7603 or 7613 equipped with 7A15A Amplifier and 7B53A Time-Base unit, or equivalent. A 7A13 Differential Comparator was used to obtain offset.
Probe	Fast rise 10X attenuation probe compatible with the vertical amplifier of the test oscilloscope.	Tektronix P6053B, or equivalent.
Voltmeter (Non-Loading Digital Multimeter)	Input impedance: 10 MΩ Range: 0 to 500 V	Tektronix 7D13 Digital Multimeter (test oscilloscope must have readout system) or Tektronix DM 501 Digital Multimeter with power module, or equivalent.

VOLTAGE MEASUREMENTS

Voltage measurements on this diagram were made under the following conditions:

- Set EVENTS DELAY COUNT switches to 00010
- Set EVENTS and START SLOPE switches to IN:+
- Set EVENTS and START LEVEL controls to 0 (zero, mid-range)
- NO signal to INPUTs
- Voltmeter common is connected to chassis ground

WAVEFORMS

Waveforms shown on this diagram were obtained under the following conditions:

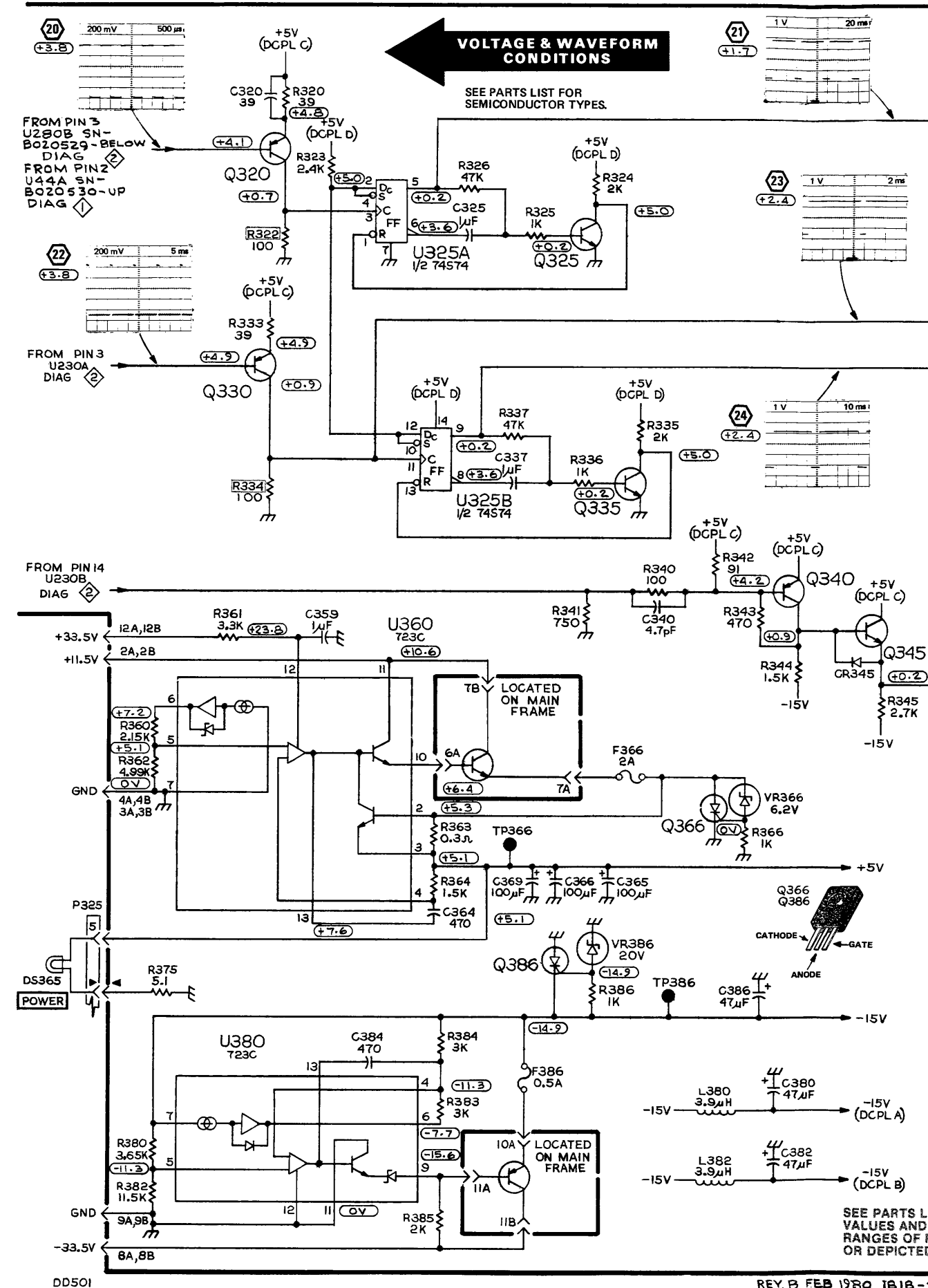
DD 501 UNDER TEST

Front-panel controls are set the same as for voltage measurements. The test oscilloscope 0.4 Volts calibrator signal is applied to both the EVENTS and START INPUTS.

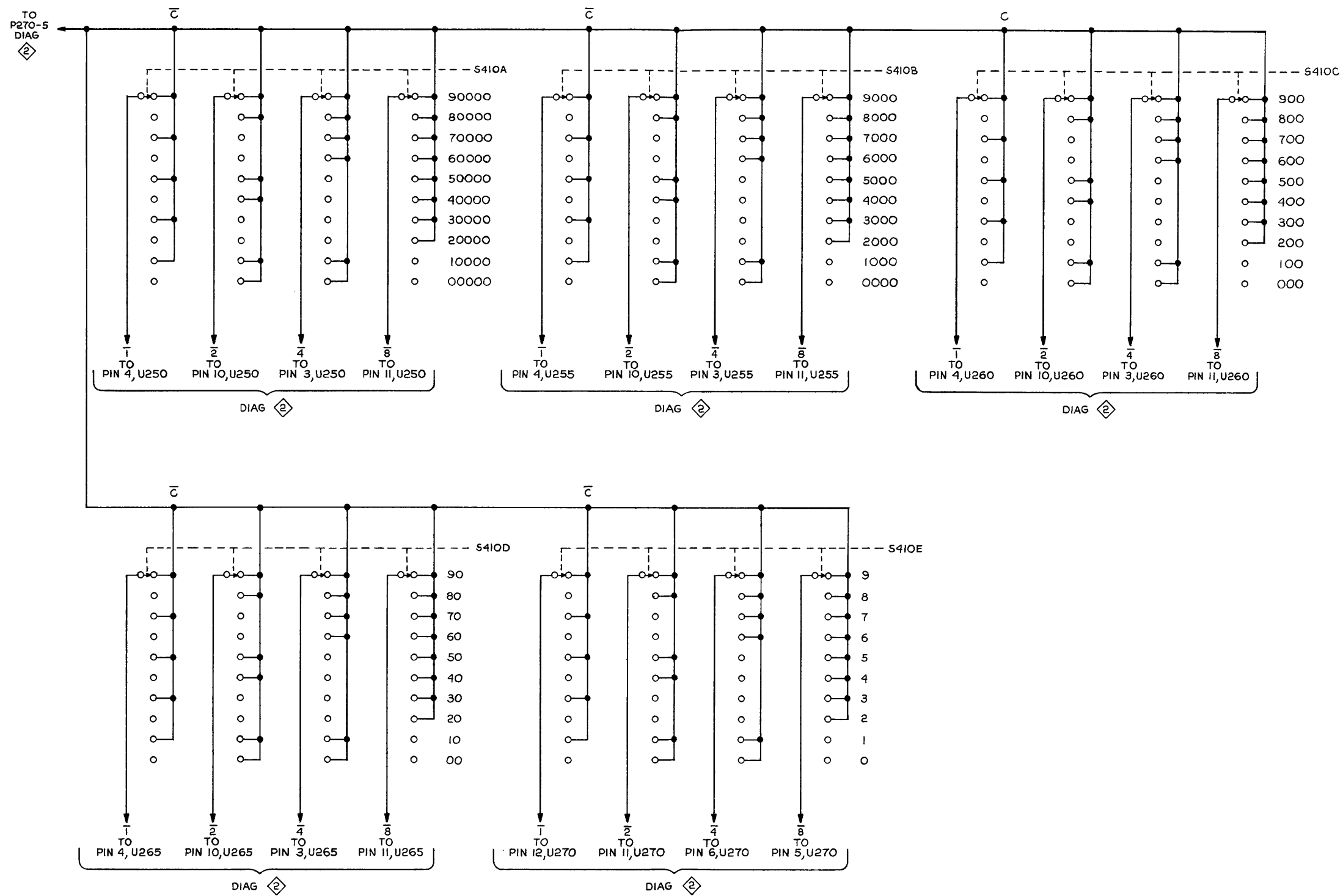
TEST OSCILLOSCOPE

The test oscilloscope is dc coupled and externally triggered from the CALIBRATOR OUTPUT only where 1 kHz calibrator signals are present, and internally triggered on all other waveforms.

Tolerances of voltages and waveforms shown are 20%.



SEE PARTS LIST FOR VALUES AND RANGES OF P/ OR DEPICTED



L	I	C
	P	2

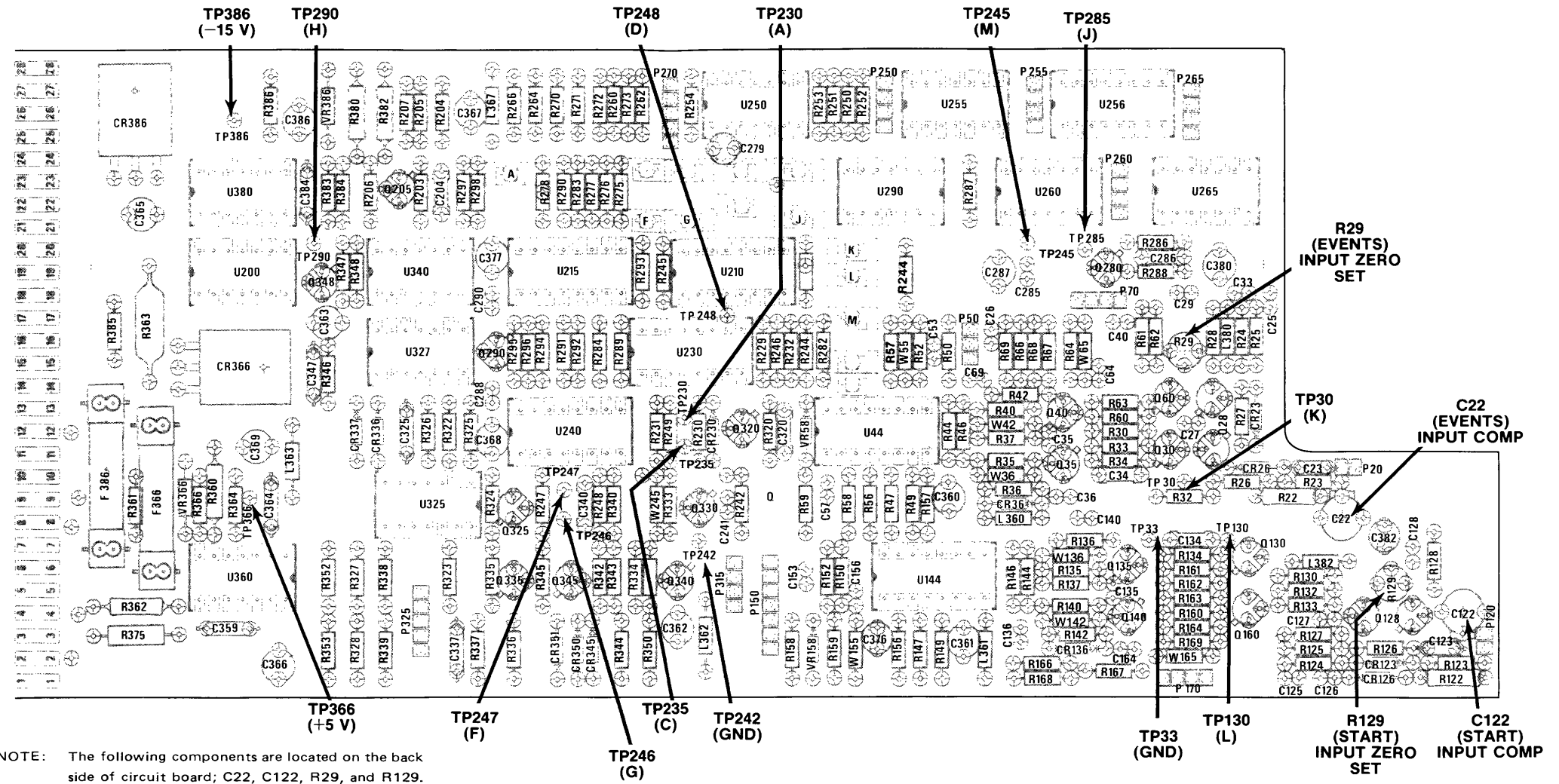
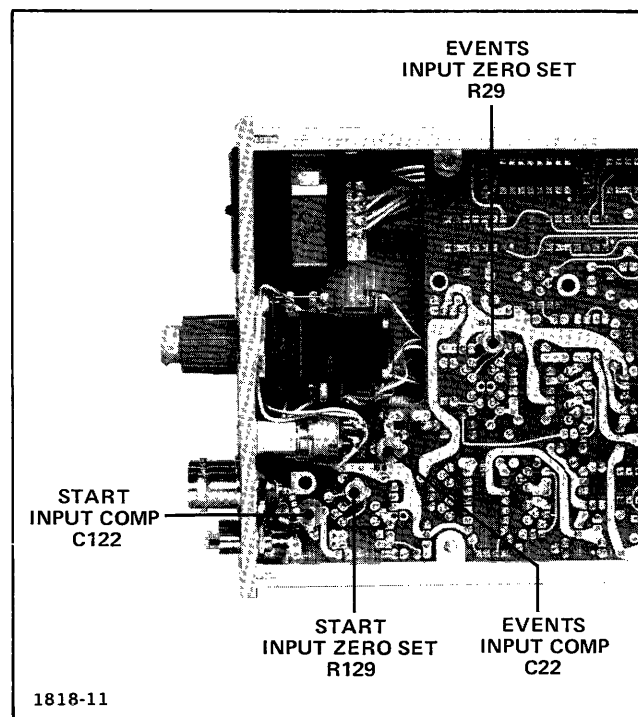


Fig. 7-6. Test point locations, SN B020530 and up.

1818-26



1818-11

Fig. 7-5. Adjustment locations.

REPLACEABLE MECHANICAL PARTS

PARTS ORDERING INFORMATION

Replacement parts are available from or through your local Tektronix, Inc. Field Office or representative.

Changes to Tektronix instruments are sometimes made to accommodate improved components as they become available, and to give you the benefit of the latest circuit improvements developed in our engineering department. It is therefore important, when ordering parts, to include the following information in your order: Part number, instrument type or number, serial number, and modification number if applicable.

If a part you have ordered has been replaced with a new or improved part, your local Tektronix, Inc. Field Office or representative will contact you concerning any change in part number.

Change information, if any, is located at the rear of this manual.

SPECIAL NOTES AND SYMBOLS

- X000 Part first added at this serial number
- 00X Part removed after this serial number

FIGURE AND INDEX NUMBERS

Items in this section are referenced by figure and index numbers to the illustrations.

INDENTATION SYSTEM

This mechanical parts list is indented to indicate item relationships. Following is an example of the indentation system used in the description column.

```

1 2 3 4 5           Name & Description
Assembly and/or Component
Attaching parts for Assembly and/or Component
    ---*---
Detail Part of Assembly and/or Component
Attaching parts for Detail Part
    ---*---
Parts of Detail Part
Attaching parts for Parts of Detail Part
    ---*---
    
```

Attaching Parts always appear in the same indentation as the item it mounts, while the detail parts are indented to the right. Indented items are part of, and included with, the next higher indentation. The separation symbol --- * --- indicates the end of attaching parts.

Attaching parts must be purchased separately, unless otherwise specified.

ITEM NAME

In the Parts List, an Item Name is separated from the description by a colon (:). Because of space limitations, an Item Name may sometimes appear as incomplete. For further Item Name identification, the U.S. Federal Cataloging Handbook H6-1 can be utilized where possible.

ABBREVIATIONS

"	INCH	ELCTR	ELECTRON	IN	INCH	SE	SINGLE END
#	NUMBER SIZE	ELEC	ELECTRICAL	INCAND	INCANDESCENT	SECT	SECTION
ACTR	ACTUATOR	ELCTLT	ELECTROLYTIC	INSUL	INSULATOR	SEMICON	SEMICONDUCTOR
ADPTR	ADAPTER	ELEM	ELEMENT	INTL	INTERNAL	SHLD	SHIELD
ALIGN	ALIGNMENT	EPL	ELECTRICAL PARTS LIST	LPHLDR	LAMPHOLDER	SHLDR	SHOULDERED
AL	ALUMINUM	EOPT	EQUIPMENT	MACH	MACHINE	SKT	SOCKET
ASSEM	ASSEMBLED	EXT	EXTERNAL	MECH	MECHANICAL	SL	SLIDE
ASSY	ASSEMBLY	FIL	FILLISTER HEAD	MTG	MOUNTING	SLFLKG	SELF-LOCKING
ATTEN	ATTENUATOR	FLEX	FLEXIBLE	NIP	NIPPLE	SLVG	SLEEVING
AWG	AMERICAN WIRE GAGE	FLH	FLAT HEAD	NON WIRE	NOT WIRE WOUND	SPR	SPRING
BD	BOARD	FLTR	FILTER	OB	ORDER BY DESCRIPTION	SQ	SQUARE
BRKT	BRACKET	FR	FRAME or FRONT	OD	OUTSIDE DIAMETER	SST	STAINLESS STEEL
BRS	BRASS	FSTNR	FASTENER	OVB	OVAL HEAD	STL	STEEL
BRZ	BRONZE	FT	FOOT	PH BRZ	PHOSPHOR BRONZE	SW	SWITCH
BSHG	BUSHING	FXD	FIXED	PL	PLAIN or PLATE	T	TUBE
CAB	CABINET	GSKT	GASKET	PLSTC	PLASTIC	TERM	TERMINAL
CAP	CAPACITOR	HDL	HANDLE	PN	PART NUMBER	THD	THREAD
CER	CERAMIC	HEX	HEXAGON	PNH	PAN HEAD	THK	THICK
CHAS	CHASSIS	HEX HD	HEXAGONAL HEAD	PWR	POWER	TNSN	TENSION
CKT	CIRCUIT	HEX SOC	HEXAGONAL SOCKET	RCPT	RECEPTACLE	TPG	TAPPING
COMP	COMPOSITION	HLCPS	HELICAL COMPRESSION	RES	RESISTOR	TRH	TRUSS HEAD
CONN	CONNECTOR	HLEXT	HELICAL EXTENSION	RGD	RIGID	V	VOLTAGE
COV	COVER	HV	HIGH VOLTAGE	RLF	RELIEF	VAR	VARIABLE
CPLG	COUPLING	IC	INTEGRATED CIRCUIT	RTNR	RETAINER	W/	WITH
CRT	CATHODE RAY TUBE	ID	INSIDE DIAMETER	SCH	SOCKET HEAD	WSHR	WASHER
DEG	DEGREE	IDNT	IDENTIFICATION	SCOPE	OSCILLOSCOPE	XFMR	TRANSFORMER
DWR	DRAWER	IMPLR	IMPELLER	SCR	SCREW	XSTR	TRANSISTOR

CROSS INDEX—MFR. CODE NUMBER TO MANUFACTURER

Mfr. Code	Manufacturer	Address	City, State, Zip
000CY	NORTHWEST FASTENER SALES, INC.	7923 SW CIRBUS DRIVE	BEAVERTON, OREGON 97005
08261	SPECTRA-STRIP CORP.	7100 LAMPSON AVE.	GARDEN GROVE, CA 92642
13511	AMPHENOL CARDRE DIV., BUNKER RAMO CORP.		LOS GATOS, CA 95030
22526	BERG ELECTRONICS, INC.	YOUK EXPRESSWAY	NEW CUMBERLAND, PA 17070
23880	STANFORD APPLIED ENGINEERING, INC.	340 MARTIN AVE.	SANTA CLARA, CA 95050
45722	USM CORP., PARKER-KALON FASTENER DIV.		CAMPBELLSVILLE, KY 42718
55210	GETTIG ENG. AND MFG. COMPANY	PO BOX 85, OFF ROUTE 45	SPRING MILLS, PA 16875
71159	BRISTOL SOCKET SCREW, DIV. OF		
	AMERICAN CHAIN AND CABLE CO., INC.	P O BOX 2244, 40 BRISTOL ST.	WATERBURY, CT 06720
71279	CAMBRIDGE THERMIONIC CORP.	445 CONCORD AVE.	CAMBRIDGE, MA 02138
71468	ITT CANNON ELECTRIC	666 E. DYER RD.	SANTA ANA, CA 92702
71785	TRW, CINCH CONNECTORS	1501 MORSE AVENUE	ELK GROVE VILLAGE, IL 60007
73743	FISCHER SPECIAL MFG. CO.	446 MORGAN ST.	CINCINNATI, OH 45206
73803	TEXAS INSTRUMENTS, INC., METALLURGICAL MATERIALS DIV.	34 FOREST STREET	ATTLEBORO, MA 02703
78189	ILLINOIS TOOL WORKS, INC.		
	SHAKEPROOF DIVISION	ST. CHARLES ROAD	ELGIN, IL 60120
80009	TEKTRONIX, INC.	P O BOX 500	BEAVERTON, OR 97077
81073	GRAYHILL, INC.	561 HILLGROVE AVE., PO BOX 373	LA GRANGE, IL 60525
83385	CENTRAL SCREW CO.	2530 CRESCENT DR.	BROADVIEW, IL 60153
93907	CAMCAR SCREW AND MFG. CO.	600 18TH AVE.	ROCKFORD, IL 61101

Fig. & Index No.	Tektronix Part No.	Serial/Model No. Eff Dscont	Qty	1	2	3	4	5	Name & Description	Mfr Code	Mfr Part Number
1-1	337-1399-00	B010100 B019999	2						SHLD,ELECTRICAL:SIDE	80009	337-1399-00
	337-1399-04	B020000	2						SHIELD,ELEC:SIDE	80009	337-1399-04
-2	366-1576-00		2						PUSH BUTTON:GRAY,0.437 ODX 0.345 H	80009	366-1576-00
	213-0246-00		1						. SETSCREW:5-40 X 0.093 ITL BK OXD,HEX SKT	71159	OBD
-3	366-1280-00		2						KNOB:GRAY	80009	366-1278-00
	213-0153-00		1						. SETSCREW:5-40 X 0.125,STL BK OXD,HEX SKT	000CY	OBD
-4	366-1422-01	B010100 B021240	1						KNOB:LATCH	80009	366-1422-01
	366-1690-00	B021241	1						KNOB:SIL GY,0.53 XO.23 X 1.059 (ATTACHING PARTS)	80009	366-1690-00
-5	214-1840-00	B010100 B021240X	1						PIN,KNOB SECRG:0.094 OD X 0.120 INCH LONG - - - * - - -	80009	214-1840-00
-6	-----		1						SWITCH,ROTARY:(SEE S410 REPL)		
	343-0800-00	XB022980	2						RETAINER,SWITCH:PLASTIC	80009	343-0800-00
-7	131-0955-00		3						CONN,RCPT,ELEC:BNC,FEMALE	13511	31-279
-8	210-0255-00		3						TERMINAL,LUG:0.391 ID,LOCKING,BRS CD PL	80009	210-0255-00
-9	358-0301-00		2						BUSHING,SLEEVE:FOR 0.185 DIA HOLE,GRAY	80009	358-0301-00
-10	-----		2						RES.,VAR:(SEE R70/S70 AND R170/S170 REPL) (ATTACHING PARTS)		
-11	210-0583-00		2						NUT,PLAIN,HEX:0.25-32 X 0.312 INCH,BRS - - - * - - -	73743	2X20317-402
-12	333-1832-00		1						PANEL,FRONT:	80009	333-1832-00
-13	200-0935-00		4						BASE,LAMPHOLDER:0.29 OD X 0.19 CASE	80009	200-0935-00
-14	378-0602-01		3						LENS,LIGHT:AMBER	80009	378-0602-01
-15	378-0602-00		1						LENS,LIGHT:GREEN	80009	378-0602-00
-16	352-0157-00		4						LAMPHOLDER:WHITE PLASTIC	80009	352-0157-00
-17	136-0387-00		2						JACK,TIP:GRAY	71279	450-4352-01-0318
-18	386-2826-00		1						SUBPANEL,FRONT:	80009	386-2826-00
	386-2826-01		1						SUBPANEL,FRONT: (ATTACHING PARTS)	80009	386-2826-01
-19	213-0229-00	B010100 B022189	4						SCR,TPG,THD FOR:6-20 XO.375"100 DEG,FLH STL	93907	OBD
	213-0123-00	B022190	4						SCREW,TPG,TF:6-32 X 0.375,SPCL TYPE,FLH - - - * - - -	93907	OBD
-20	214-1513-01	B010100 B021240	1						LCH,PLUG-IN RET:	80009	214-1513-01
	105-0719-00	B021241	1						LATCH,RETAINING:PLUG-IN (ATTACHING PARTS)	80009	105-0719-00
-21	213-0254-00		1						SCREW,TPG,TF:2-32 X 0.250,100 DEG,FLH - - - * - - -	45722	OBD
	105-0718-00	XB021241 B022089	1						BAR,LATCH RLSE:	80009	105-0718-00
	105-0718-01	B022090	1						BAR,LATCH RLSE:	80009	105-0718-01
-22	-----		2						RES.,VAR:(SEE R75 AND R175 REPL) (ATTACHING PARTS)		
-23	358-0409-00		2						BSHG,MACH.THD:0.25-32 X 0.159 ID X 0.24	80009	358-0409-00
-24	220-0510-00		2						NUT,PLAIN,HEX.:0.25-32 X 0.312 INCH	80009	220-0510-00
-25	210-0046-00		4						WASHER,LOCK:0.261 ID,INTL,0.018 THK,BRS - - - * - - -	78189	1214-05-00-0541C
-26	131-0258-00		2						CONNECTOR,RCPT,:JACK ASSEMBLY	80009	131-0258-00
-27	260-0735-00		1						SWITCH,PUSH:T,NO CONTACT,RED BUTTON	81073	39-1
-28	337-1992-00		1						SHIELD,ELEC:REAR	80009	337-1992-00
-29	-----	XB010000	1						CKT BOARD ASSY:COUNTER SIDE(SEE A2 REPL) (ATTACHING PARTS)		
-30	211-0008-00	XB020000 B021669	2						SCREW,MACHINE:4-40 X 0.25 INCH,PNH STL	83385	OBD
	211-0007-00	B021670	2						SCREW,MACHINE:4-40 X 0.188 INCH,PNH STL - - - * - - -	83385	OBD
	-----		-						CKT BOARD ASSY INCLUDES:		
-31	136-0252-07	XB020000	5						. SOCKET,PIN CONN:W/O DIMPLE	22526	75060-012
-32	136-0260-02	XB020000	5						. SKT,PL-IN ELEK:MICROCIRCUIT,16 DIP,LOW CLE	71785	133-51-92-008
-33	131-0590-00	XB020000	16						. CONTACT,ELEC:0.71 INCH LONG	22526	47351
-34	386-1657-00	XB020000	1						. SUPPORT,CKT BD:	80009	386-1657-00
-35	129-0418-00	XB020000	2						SPACER,POST:0.20 L,W/4-40TAP 1 END	71468	D20418-2
-36	-----		1						CKT BOARD ASSY:MAIN(SEE A1 REPL) (ATTACHING PARTS)		
-37	213-0146-00		4						SCR,TPG,THD FOR:6-20 X 0.313 INCH,PNH STL - - - * - - -	83385	OBD

Replaceable Mechanical Parts—DD 501

Fig. & Index No.	Tektronix Part No.	Serial/Model No. Eff	Dscont	Qty	1 2 3 4 5	Name & Description	Mfr Code	Mfr Part Number
1-38	136-0269-02	B010100	B019999	11	.	SKT, PL-IN ELEK: MICROCIRCUIT, 14 DIP, LOW CLE	73803	CS9002-14
	136-0269-02	B020000		9	.	SKT, PL-IN ELEK: MICROCIRCUIT, 14 DIP, LOW CLE	73803	CS9002-14
-39	136-0260-02			8	.	SKT, PL-IN ELEK: MICROCIRCUIT, 16 DIP, LOW CLE	71785	133-51-92-008
-40	131-0566-00	B010100	B021179	9	.	BUS CONDUCTOR: DUMMY RES, 2.375, 22 AWG	55210	L-2007-1
	131-0566-00	B021180		8	.	BUS CONDUCTOR: DUMMY RES, 2.375, 22 AWG	55210	L-2007-1
-41	214-0579-00			15	.	TERM, TEST POINT: BRS CD PL	80009	214-0579-00
-42	344-0154-00			4	.	CLIP, ELECTRICAL: FUSE, CKT BD MT	80009	344-0154-00
-43	136-0252-04			69	.	SOCKET, PIN TERM: U/W 0.016-0.018 DIA PINS	22526	75060-007
-44	136-0263-04	XB020000		16	.	SOCKET, PIN TERM: FOR 0.025 INCH SQUARE PIN	22526	75377-001
-45	131-0608-00	B010100	B021179	52	.	TERMINAL, PIN: 0.365 L X 0.025 PH BRZ GOLD	22526	47357
	131-0608-00	B021180		55	.	TERMINAL, PIN: 0.365 L X 0.025 PH BRZ GOLD	22526	47357
-46	214-1061-00			1		SPRING, GROUND: FLAT	80009	214-1061-00
-47	426-0725-00			1		FR SECT, PLUG-IN: TOP	80009	426-0725-00
	386-3657-00	XB021241	B022269	2		SUPPORT, PLUG-IN:	80009	386-3657-00
	386-3657-01	B022270		2		SUPPORT, PLUG IN:	93907	OBD
	210-1270-00	XB021241		2		WASHER, FLAT: 0.141 ID X 0.04 THK, AL	80009	210-1270-00
-48	426-0724-00			1		FR SECT, PLUG-IN: BOTTOM	80009	426-0724-00
-49	352-0171-00			1		HLDR, TERM CONN: 1 WIRE BLACK	80009	352-0171-00
-50	352-0169-00			1		HLDR, TERM CONN: 2 WIRE BLACK	80009	352-0169-00
-51	352-0161-00			1		HLDR, TERM CONN: 3 WIRE, BLACK	80009	352-0161-00
-52	352-0162-00			1		HLDR, TERM CONN: 4 WIRE BLACK	80009	352-0162-00
	352-0162-01			1		CONN BODY, PL, EL: 4 WIRE BROWN	80009	352-0162-01
	352-0162-02			1		CONN BODY, PL, EL: 4 WIRE RED	80009	352-0162-02
	352-0162-03			1		CONN BODY, PL, EL: 4 WIRE ORANGE	80009	352-0162-03
	352-0162-04			1		CONN BODY, PL, EL: 4 WIRE YELLOW	80009	352-0162-04
	352-0162-05			1		CONN BODY, PL, EL: 4 WIRE GREEN	80009	352-0162-05
-53	352-0163-00			1		CONN BODY, PL, EL: 5 WIRE BLACK	80009	352-0163-00
	352-0163-05			1		CONN BODY, PL, EL: 5 WIRE GREEN	80009	352-0163-05
-54	352-0165-00			1		CONN BODY, PL, EL: 7 WIRE BLACK	80009	352-0165-00
-55	175-0826-00			FT		WIRE, ELECTRICAL: 3 WIRE RIBBON	80009	175-0826-00
-56	175-0827-00			FT		CABLE, SP, ELEC: 4, 26 AWG, STRD, PVC JKT, RBN	08261	SS04267(1061)OC
-57	175-0828-00			FT		WIRE, ELECTRICAL: 5 WIRE RIBBON	08261	SS-0526-71061OC
-58	131-0707-00			46		CONNECTOR, TERM: 22-26 AWG, BRS& CU BE GOLD	22526	47439
-59	131-0708-00			5		CONTACT, ELEC: 0.48" L, 28-32 AWG WIRE	22526	47437

ACCESSORIES

070-1818-01				1		MANUAL, TECH: INSTRUCTION	80009	070-1818-01
-------------	--	--	--	---	--	---------------------------	-------	-------------

