

FG 501A

BLOCK DIAGRAM

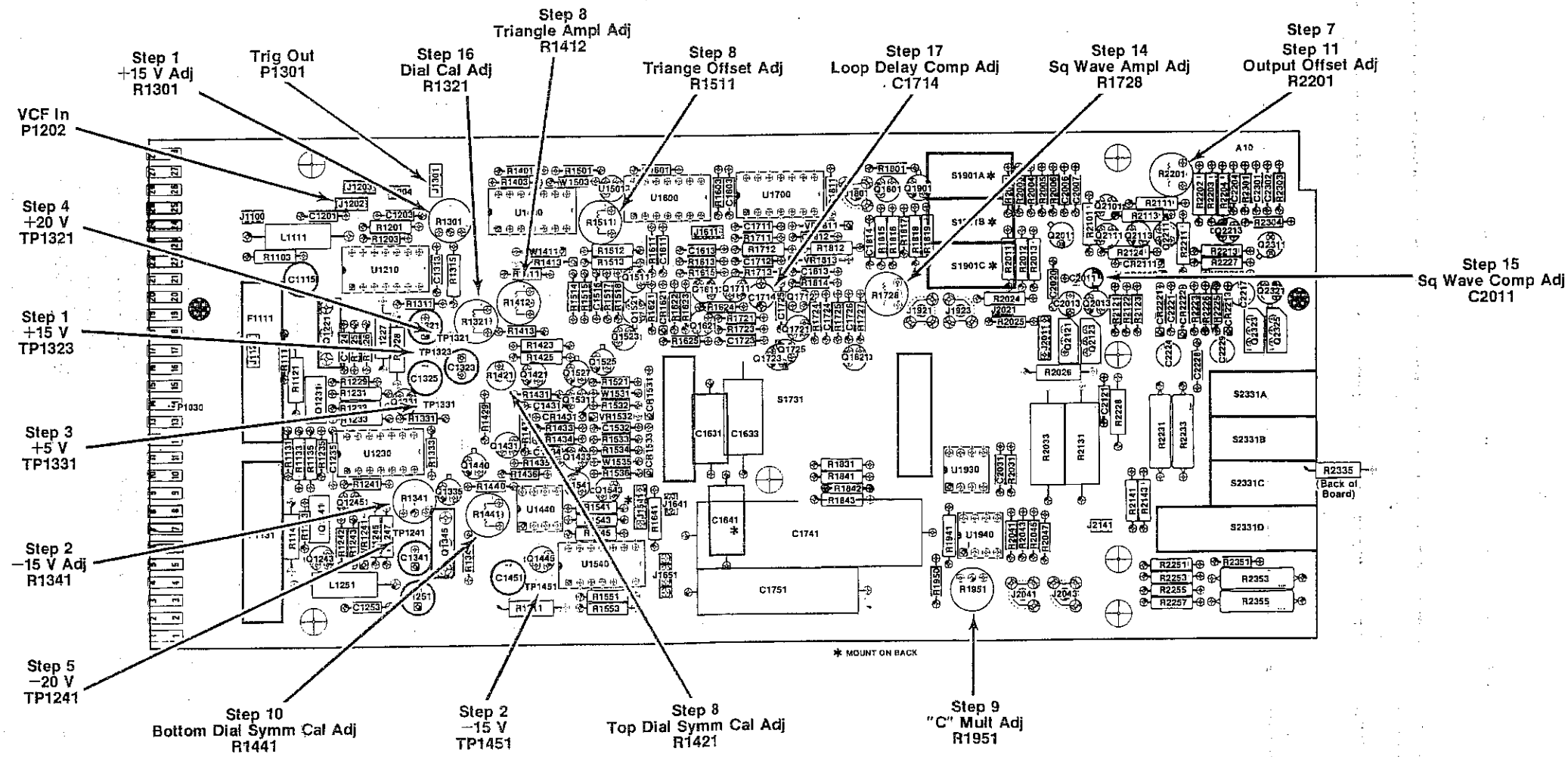
Fig. 0-3.

2957-40

@

JS

ADJUSTMENT LOCATIONS



REV A JAN 1981

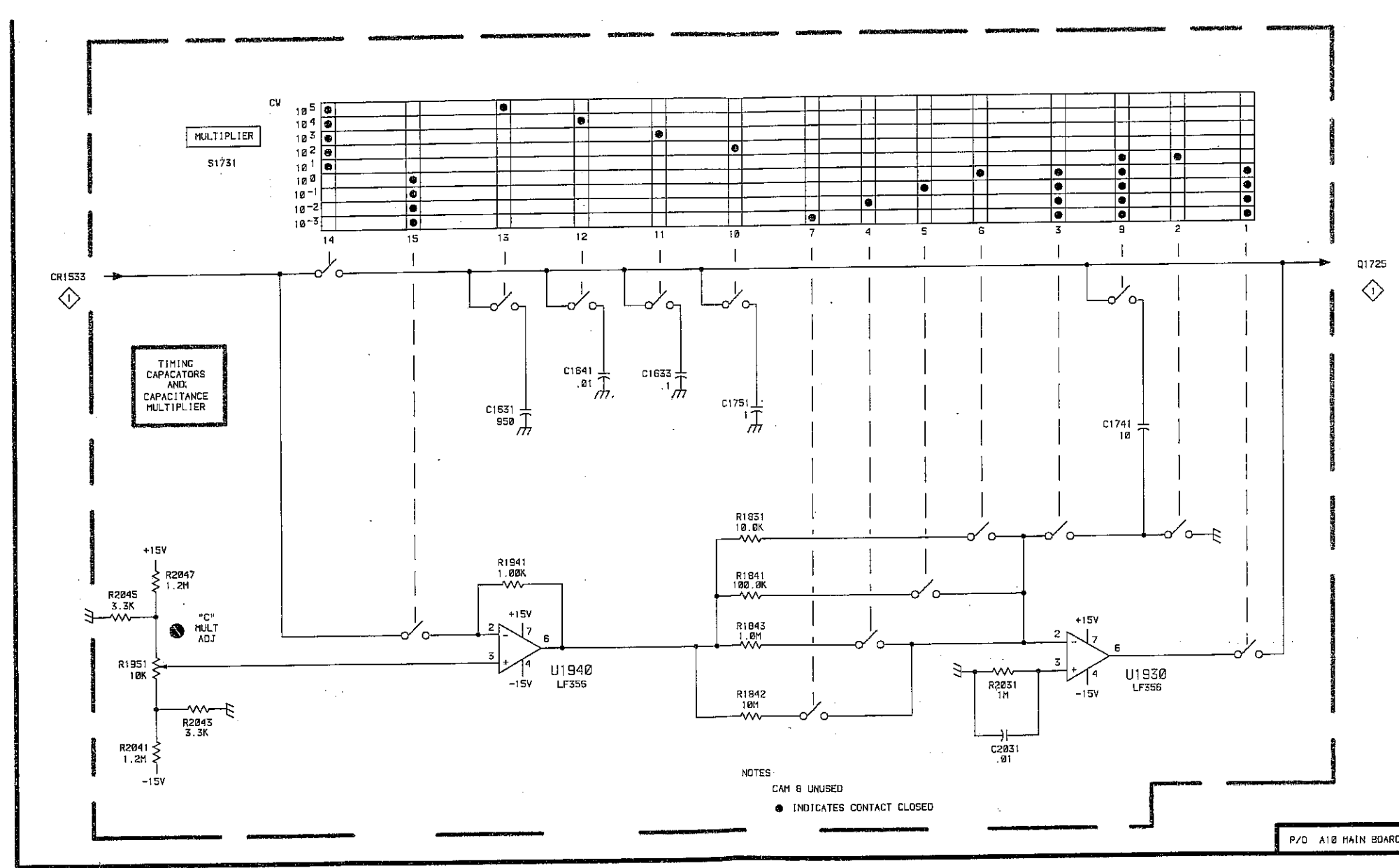
Fig. 8-2. Main Board.

2957-13

*Distortion
Adjust*

A | B | C | D | E | F | H | J | K | L | M

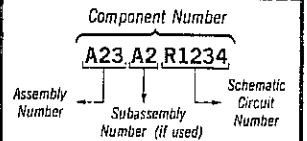
1
2
3
4
5
6
7
8



NOTES
 CAM 8 UNUSED
 ● INDICATES CONTACT CLOSED

⊗ Static Sensitive Devices
 See Maintenance Section

COMPONENT NUMBER EXAMPLE



Chassis-mounted components have no Assembly Number prefix—see end of Replaceable Electrical Parts List.

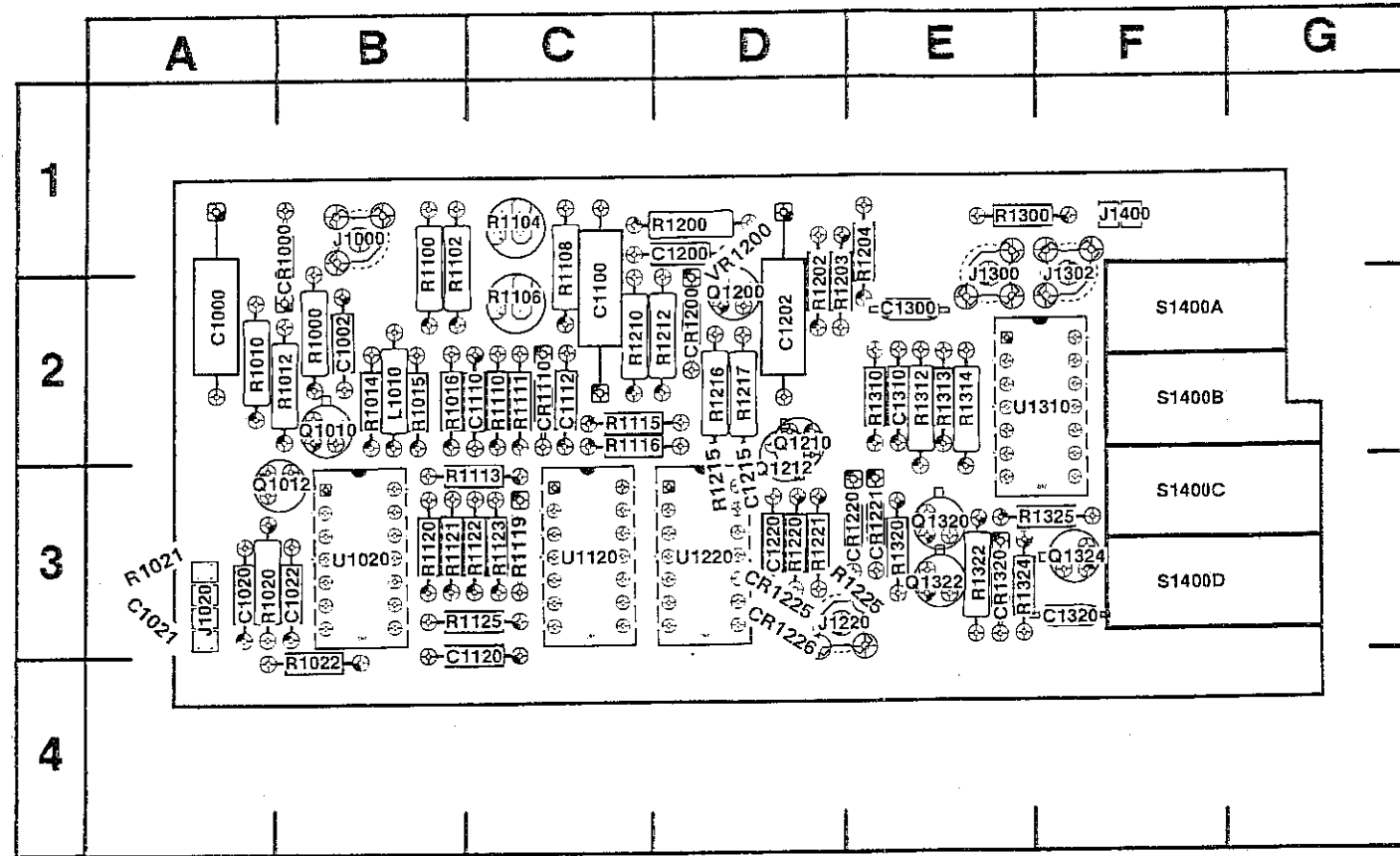
FG 501A

REV A JAN 1981
2857-36

CAPACITANCE MULTIPLIER

2 JS

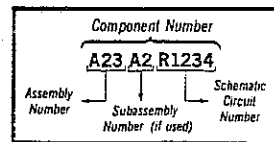
PARTS LOCATION GRID



2957-17B

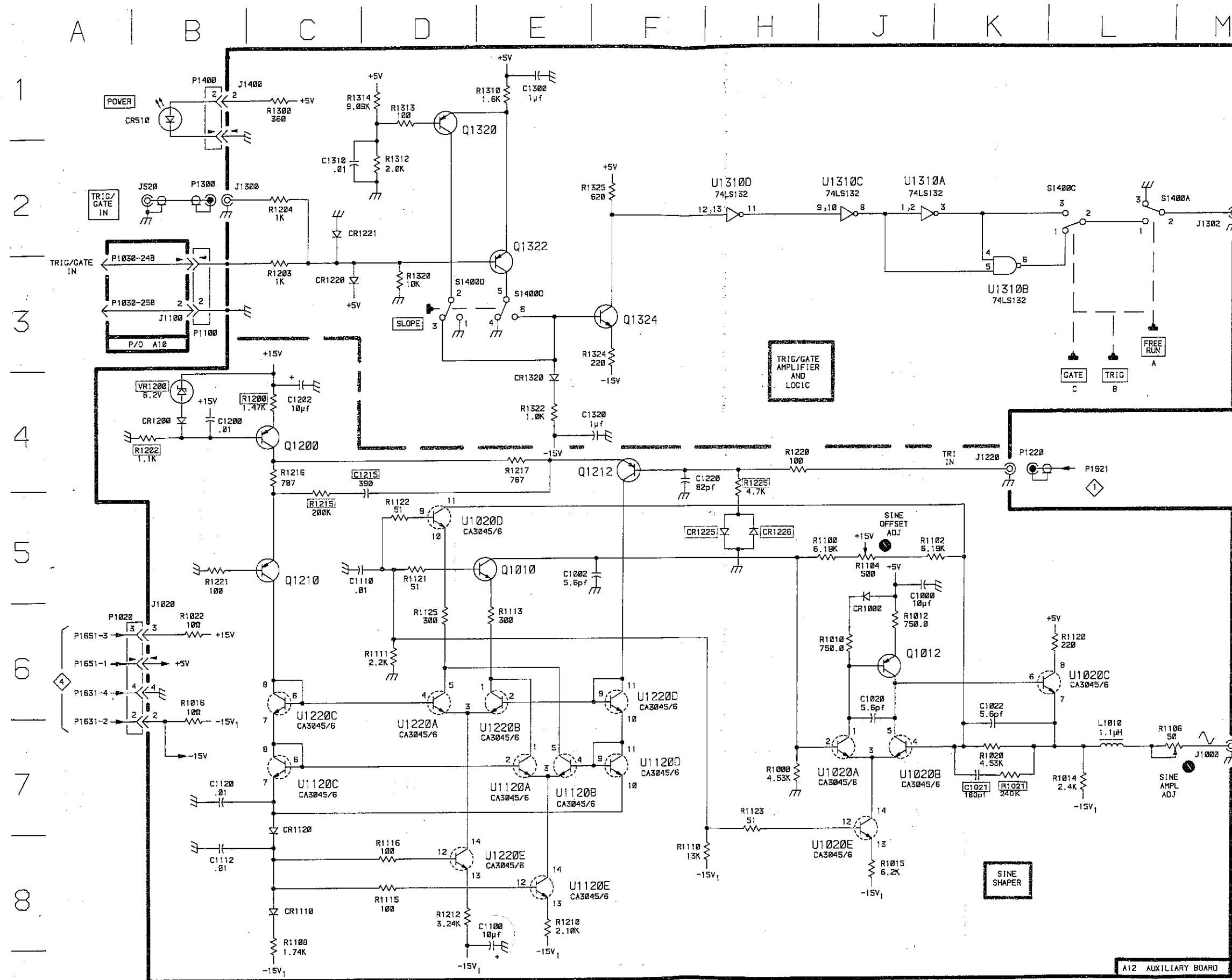
Fig. 8-5. Auxiliary Board (A12 Assy).

COMPONENT NUMBER EXAMPLE



Chassis-mounted components have no Assembly Number prefix—see end of Replaceable Electrical Parts List.

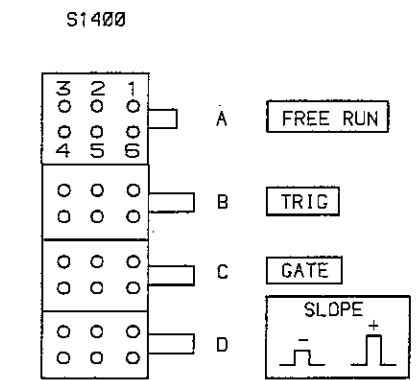
Static Sensitive Devices
See Maintenance Section



FG 501A

2957-37
REV OCT 1984

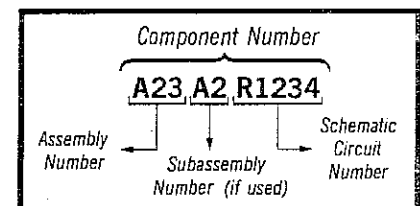
TRIG/GATE AND SINE SHAPER AMPLIFIER



SEE PARTS LIST FOR EARLIER VALUES AND SERIAL NUMBER RANGES OF PARTS OUTLINED OR DEPICTED IN GREY.

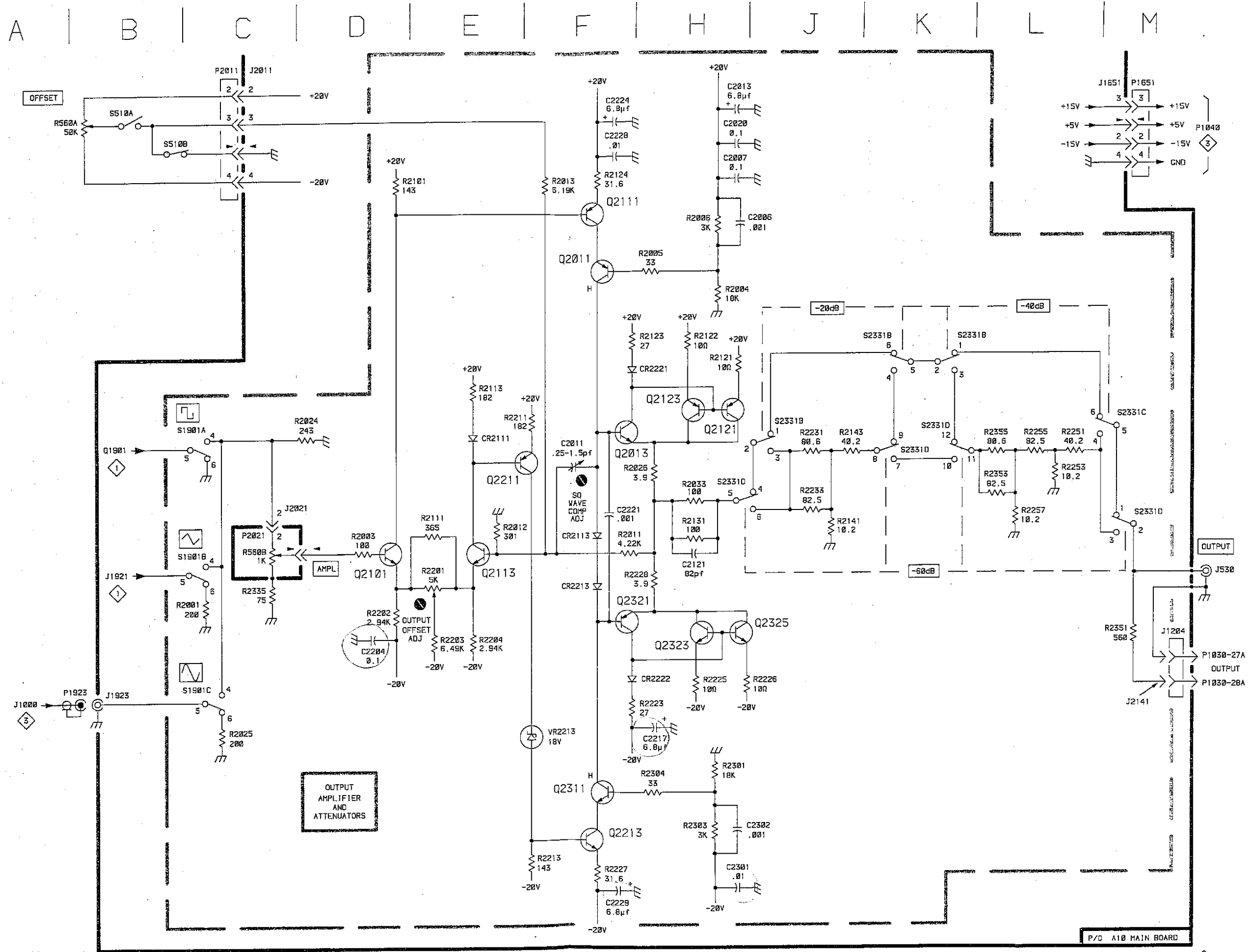
Static Sensitive Devices
See Maintenance Section

COMPONENT NUMBER EXAMPLE

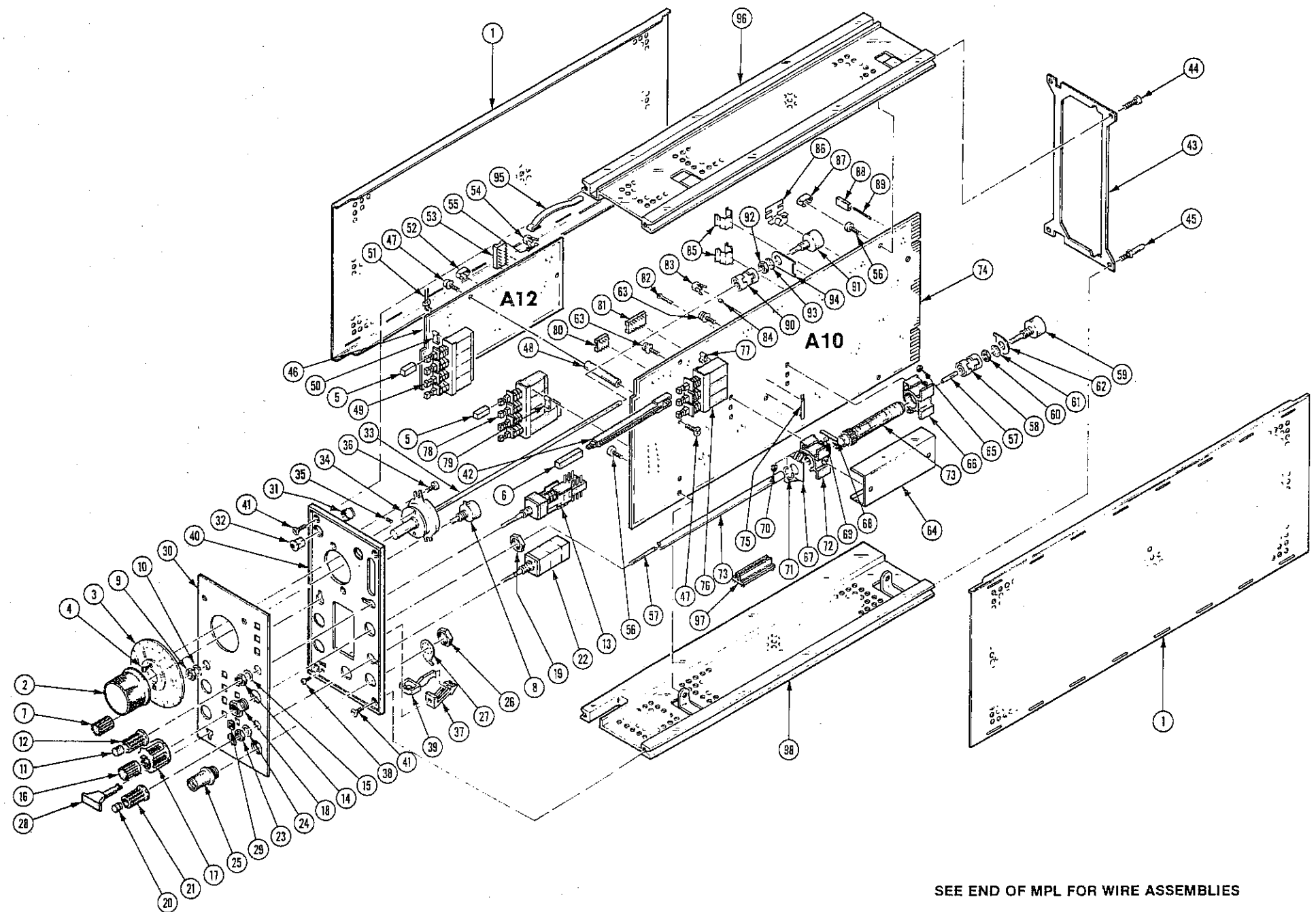


Chassis-mounted components have no Assembly Number prefix—see end of Replaceable Electrical Parts List.

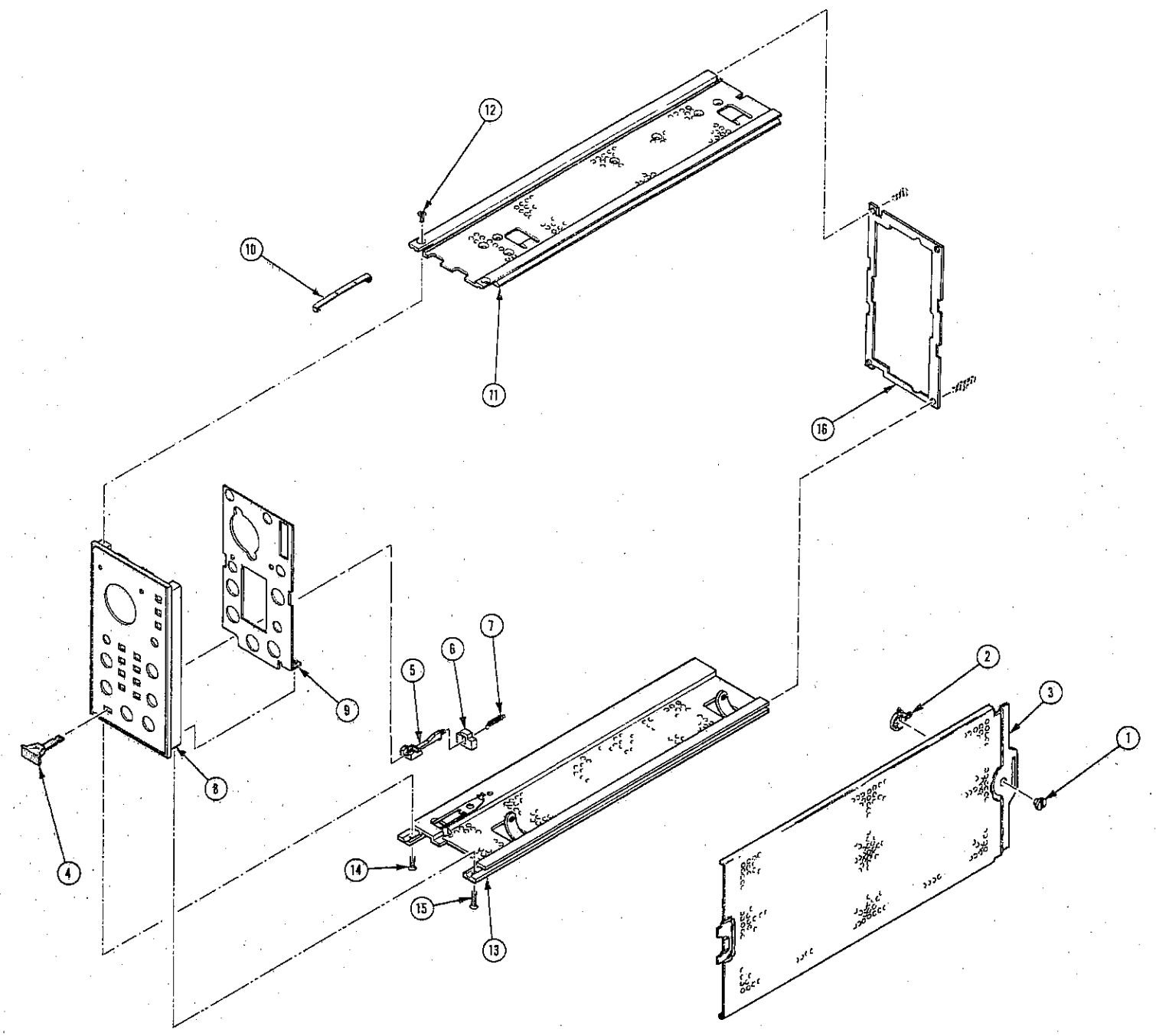
3
JS



1
2
3
4
5
6
7
8



SEE END OF MPL FOR WIRE ASSEMBLIES



ADD JUL 1984

REV