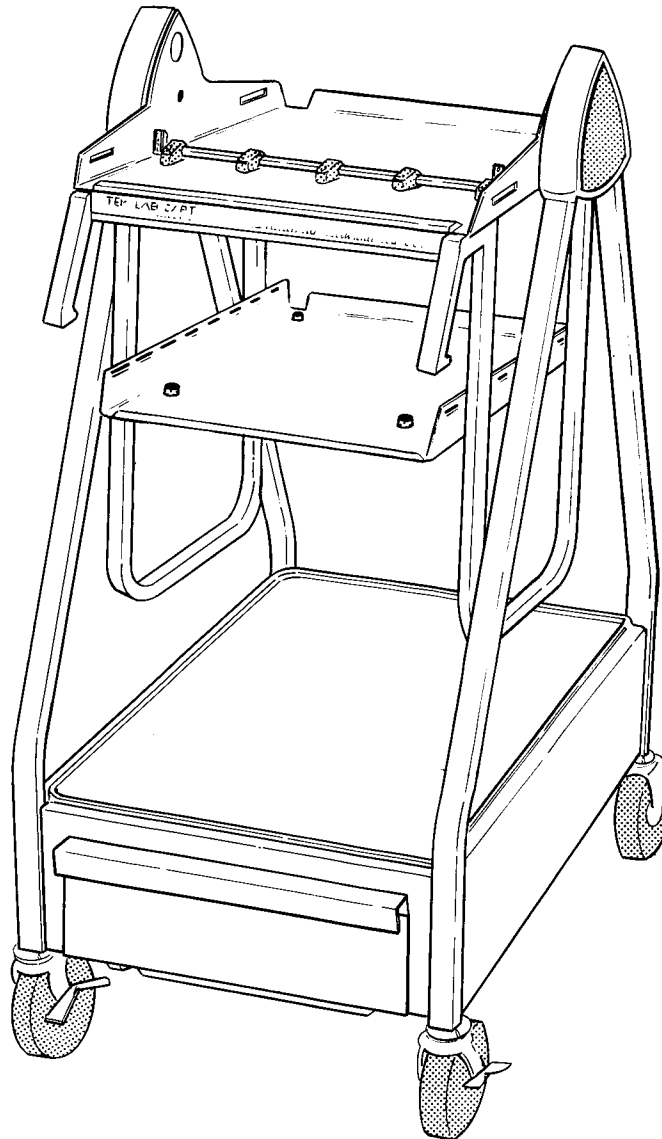
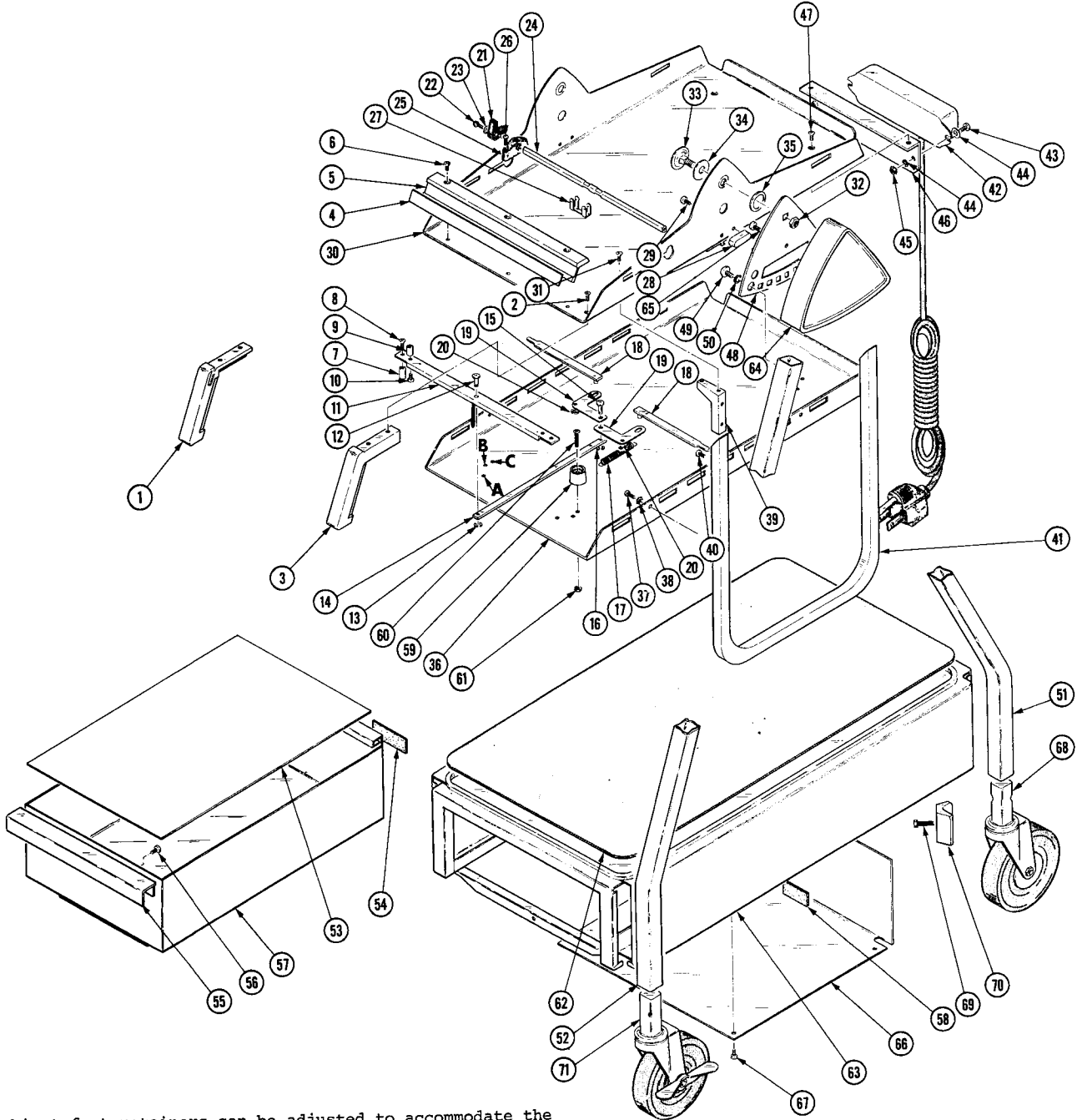


**LAB CART, MODEL 3**



### EXPLODED VIEW



The cabinet foot retainers can be adjusted to accommodate the following instruments--

- A. 453, 453A Series and 454, 454A Series
- B. 491
- C. 432, 434, 465, 466, 475 and 485

## REPLACEABLE PARTS LIST

Fig. & Index No.	Tektronix Part No.	Serial/Model No. Eff Dscont	Qty	1 2 3 4 5	Name & Description	Mfr Code	Mfr Part Number
	-----		1		LAB CART:MODEL 3		
	644-0130-00		1	.	TRAY ASSEMBLY:CENTER	80009	644-0130-00
	644-0129-00		1	.	TRAY ASSEMBLY:TOP	80009	644-0129-00
-1	367-0224-01		1	.	HANDLE,LATCH:LEFT (ATTACHING PARTS)	80009	367-0224-01
-2	212-0088-00		2	.	SCREW,TPG,TC:8-32 X 0.375 -----*	93907	OBD
-3	367-0225-01		1	.	HANDLE,LATCH:RIGHT (ATTACHING PARTS)	80009	367-0225-01
	212-0088-00		2	.	SCREW,TPG,TC:8-32 X 0.375 -----*	93907	OBD
	644-0123-00		1	.	STRIP,TRIM ASSY:	80009	644-0123-00
-4	334-2791-00		1	.	PLATE,IDENT:MARKED MODEL 3	80009	334-2791-00
-5	124-0328-00		1	.	STRIP,TRIM:FRONT CART (ATTACHING PARTS)	80009	124-0328-00
-6	211-0512-00		3	.	SCREW,MACH:6-32 X 0.50" 100 DEG,FLH STL -----*	83385	OBD
	644-0124-00		1	.	XBAR LATCH ASSY:	80009	644-0124-00
-7	214-2432-00		2	.	TRIG,LCH RLSE: (ATTACHING PARTS FOR EACH)	80009	214-2432-00
-8	211-0512-00		1	.	SCREW,MACH:6-32 X 0.50" 100 DEG,FLH STL -----*	83385	OBD
-9	129-0615-00		2	.	SPACER,POST:0.375 L,W/6-32 THD (ATTACHING PARTS FOR EACH)	80009	129-0615-00
-10	211-0504-00		1	.	SCREW,MACH:6-32 X 0.25 INCH,PHN STL -----*	83385	OBD
-11	381-0375-00		1	.	BAR,CROSS,LATCH:TRAY ADJUSTMENT (ATTACHING PARTS)	80009	381-0375-00
-12	214-2437-00		1	.	PIN,GRVD,HEADED:0.437 L,STL	80009	214-2437-00
-13	354-0115-00		1	.	RING,RETAINING: -----*	80009	354-0115-00
-14	381-0374-00		1	.	BAR,LATCH:TRAY ADJUSTMENT (ATTACHING PARTS)	80009	381-0374-00
-15	129-0061-00		1	.	PIN,GRVD,HEADED:0.185 DIA X 0.625 INCH	80009	129-0061-00
-16	354-0115-00		1	.	RING,RETAINING: -----*	80009	354-0115-00
-17	214-0185-00		1	.	SPRING,HLCL,EXT:0.375 OD X 2.15" L	83385	OBD
-18	214-2428-00		2	.	LATCH,SLIDING:TRAY ADJUSTABLE	80009	214-2428-00
-19	387-0397-00		2	.	BELL CRANK:"L" SHAPED (ATTACHING PARTS FOR EACH)	80009	387-0397-00
-20	354-0115-00		1	.	RING,RETAINING: -----*	80009	354-0115-00
	644-0128-00		1	.	HOLD DOWN ASSY:	80009	644-0128-00
-21	214-1306-00		2	.	LEVER,HLDN RLSE:PLASTIC (ATTACHING PARTS FOR EACH)	80009	214-1306-00
-22	211-0587-00		1	.	SCREW,MACH:6-32 X 0.188 INCH,HSB	80009	211-0587-00
-23	210-0803-00		1	.	WASHER,FLAT:0.15 ID X 0.375 INCH OD,STL -----*	12327	OBD
-24	343-0255-00		1	.	HOLD DOWN,INST: (ATTACHING PARTS)	80009	343-0255-00
-25	391-0084-00		5	.	BLOCK,SECRG:BLUE PLSTC	80009	391-0084-00
-26	212-0021-00		10	.	SCREW,MACH:8-32 X 0.625",FILH STL,CD PL -----*	93907	OBD
-27	344-0196-00		1	.	CLIP,SPR TNSN:	80009	344-0196-00
	334-1434-01		2	.	MARKER,IDENT:	80009	334-1434-01
-28	381-0190-00		2	.	STOP,DWG,DLY:1.250 X 0.500 INCH (ATTACHING PARTS FOR EACH)	80009	381-0190-00
-29	212-0039-00		2	.	SCREW,MACH:8-32 X 0.375 INCH,TRH STL -----*	83385	OBD
-30	436-0133-01		1	.	TRAY,TST EQ DLY:TOP,W/HDWR (ATTACHING PARTS)	80009	436-0133-01
-31	213-0016-00		4	.	SCREW,TPG,TC:8-32 X 0.5,TYPE T,FLH	93907	OBD
-32	210-0540-00		2	.	NUT,PLAIN,HEX.:0.312-18 X 0.50 INCH,STL	75497	OBD
-33	214-0174-02		2	.	BOLT,SQUARE NK:1.163 INCH OD	80009	214-0174-02

## LAB CART, MODEL 3

Fig. & Index No.	Tektronix Part No.	Serial/Model No. Eff Dscont	Qty	1	2	3	4	5	Name & Description	Mfr Code	Mfr Part Number
-34	210-1099-00		2	.	.	.	.	.	WASHER,FLAT:0.438 ID X 0.01 THK,NYL,1.0	86445	OBD
-35	210-0922-00		2	.	.	.	.	.	WASHER,FLAT:0.750 ID X 1.125 INCH OD	86445	OBD
				-	-	-	*	-			
	334-2966-00		1	.	.	.	.	.	MARKER,IDENT:CAUTION	80009	334-2966-00
-36	436-0132-00		1	.	.	.	.	.	TRAY,TSREQ DLY:ADJUSTABLE (ATTACHING PARTS)	80009	436-0132-00
-37	213-0757-00		4	.	.	.	.	.	SCREW,TPG,TC:8-32 X 0.2,TRH,TYPE T,POZ,STL	83385	OBD
-38	210-0007-00		4	.	.	.	.	.	WASHER,LOCK:EXT # 8	78189	1108-00-00-0541C
				-	-	-	*	-			
-39	386-3556-01		4	.	.	.	.	.	SPRT,TRAY SPRT: (ATTACHING PARTS FOR EACH)	80009	386-3556-01
-40	212-0087-00		8	.	.	.	.	.	SCR,TPG,THD CTG:8-32 X 0.375,T,TRH,STL	83385	OBD
				-	-	-	*	-			
-41	386-3557-00		2	.	.	.	.	.	SUPPORT,TRAY:	80009	386-3557-00
	334-2967-00		1	.	.	.	.	.	MARKER,IDENT:MARKED CAUTION ADJ TRAY	80009	334-2967-00
	644-0127-00		1	.	.	.	.	.	POWER PACK ASSY:	80009	644-0127-00
-42	131-1899-00		1	.	.	.	.	.	CONN ASSY,ELEC:PWR,FEM,130V,15A (ATTACHING PARTS)	34585	X603-019
-43	212-0008-00		2	.	.	.	.	.	SCREW,MACHINE:8-32 X 0.500 INCH,PNH STL	83385	OBD
-44	210-0804-00		4	.	.	.	.	.	WASHER,FLAT:0.17 ID X 0.375 INCH OD,STL	12327	OBD
-45	210-0458-00		2	.	.	.	.	.	NUT,PLAIN,EXT W:8-32 X 0.344 INCH,STL	83385	OBD
				-	-	-	*	-			
-46	386-3555-00		1	.	.	.	.	.	SPRT,PWR STRIP:REAR	80009	386-3555-00
	361-0071-00		2	.	.	.	.	.	SPACER,SLEEVE:	80009	361-0071-00
	644-0125-00		1	.	.	.	.	.	FRAME LEG ASSY: (ATTACHING PARTS)	80009	644-0125-00
-47	212-0070-00		2	.	.	.	.	.	SCREW,MACHINE:8-32 X 0.312"100 DEG,FLH STL	83385	OBD
				-	-	-	*	-			
-48	386-2693-00		2	.	.	.	.	.	PLATE,TRUN SPRT: (ATTACHING PARTS FOR EACH)	80009	386-2693-00
-49	213-0341-00		4	.	.	.	.	.	SCR,CAP,SKT HD:0.25-20 X 0.75 INCH	87261	OBD
-50	210-0076-00		4	.	.	.	.	.	WASHER,LOCK:0.255 ID SPLIT,0.065 THK	80009	210-0076-00
				-	-	-	*	-			
-51	426-1309-00		2	.	.	.	.	.	FRAME,LEG:LEFT FRONT RIGHT REAR	80009	426-1309-00
-52	426-1310-00		2	.	.	.	.	.	FRAME,LEG:RIGHT FRONT LEFT REAR	80009	426-1310-00
	644-0126-00		1	.	.	.	.	.	DRAWER ASSEMBLY:	80009	644-0126-00
-53	107-0037-00		1	.	.	.	.	.	PAD,CUSHIONING:13.452 W X 19.1 L X 0.62 THK	80009	107-0037-00
-54	252-0684-00		FT	.	.	.	.	.	FSTNR TAPE PILE:1.0 W,NYLON,W/ADH BACK	34359	SJ3504
-55	367-0219-00		1	.	.	.	.	.	HANDLE,DRAWER: (ATTACHING PARTS)	80009	367-0219-00
-56	212-0001-00		2	.	.	.	.	.	SCREW,MACHINE:8-32 X 0.250 INCH,PNH STL	77250	OBD
				-	-	-	*	-			
-57	436-0134-00		1	.	.	.	.	.	DRAWER,CART:BOTTOM SHELF	80009	436-0134-00
-58	252-0684-00		FT	.	.	.	.	.	FSTNR TAPE PILE:1.0 W,NYLON,W/ADH BACK	34359	SJ3504
-59	343-0419-00		4	.	.	.	.	.	RTRN,CAB. FOOT: (ATTACHING PARTS FOR EACH)	80009	343-0419-00
-60	211-0522-00		1	.	.	.	.	.	SCREW,MACHINE:6-32 X 0.625 FLH,100 DEG ST	83385	OBD
-61	210-0457-00		1	.	.	.	.	.	NUT,PLAIN,EXT W:6-32 X 0.312 INCH,STL	83385	OBD
				-	-	-	*	-			
	644-0135-00		1	.	.	.	.	.	TRAY ASSEMBLY:BOTTOM	80009	644-0135-00
-62	107-0019-01		1	.	.	.	.	.	PLASTIC SHEET:15.813 X 25.188 INCH LONG	80009	107-0019-01
-63	436-0136-02		1	.	.	.	.	.	SHELF,CART:W/HARDWARE	80009	436-0136-02
-64	200-1577-00		2	.	.	.	.	.	COVER,TRUNION:PLASTIC,201/202 (ATTACHING PARTS FOR EACH)	80009	200-1577-00
-65	212-0507-00		1	.	.	.	.	.	SCREW,MACHINE:10-32 X 0.375 INCH,PNH STL	83385	OBD
				-	-	-	*	-			
-66	200-1966-00		1	.	.	.	.	.	COVER,BOT SHELF:LAB CART STEEL (ATTACHING PARTS)	80009	200-1966-00
-67	212-0087-00		1	.	.	.	.	.	SCR,TPG,THD CTG:8-32 X 0.375,T,TRH,STL	83385	OBD
				-	-	-	*	-			

Fig. & Index No.	Tektronix Part No.	Serial/Model No. Eff Dscont	Qty	1	2	3	4	5	Name & Description	Mfr Code	Mfr Part Number
-68	401-0355-00		2	.	CASTER,SWIVEL:LAB CART MODEL 3 (ATTACHING PARTS FOR EACH)					21672	OBD
-69	213-0052-00		2	.	SCR,ASSEM WSHR:0.25-20 INCH HEX					83385	OBD
-70	343-0634-00		1	.	CLAMP,LEG SECRG:STEEL MODEL 3 - - - * - - -					80009	343-0634-00
-71	401-0356-00		2	.	CASTER,SWIVEL:W/LOCK LAB CART MODEL 3 (ATTACHING PARTS FOR EACH)					21672	OBD
	213-0052-00		2	.	SCR,ASSEM WSHR:0.25-20 INCH HEX					83385	OBD
	343-0634-00		1	.	CLAMP,LEG SECRG:STEEL MODEL 3 - - - * - - -					80009	343-0634-00
ACCESSORIES											
	062-2325-00		1		DATA SHEET:MODEL 3					80009	062-2325-00
	346-0136-01		1		STRAP,WEBBING:W/BUCKLE					80009	346-0136-01

## CROSS INDEX—MFR. CODE NUMBER TO MANUFACTURER

Mfr. Code	Manufacturer	Address	City, State, Zip
12327	FREEWAY CORPORATION	9301 ALLEN DRIVE	CLEVELAND, OH 44125
21672	FAULTLESS CASTER CORPORATION	1421 N GARVIN STREET	EVANSVILLE, IN 47717
34359	MINNESOTA MINING AND MFG. CO., COMMERCIAL TAPE DIVISION	3M CENTER	ST. PAUL, MN 55101
34585	SGL INDUSTRIES INC.	76 EUCLID AVENUE	HADDONFIELD, NJ 08033
75497	LAMSON AND SESSIONS CO., THE	5000 TIEDEMAN ROAD	CLEVELAND, OH 44144
77250	PHEOLL MANUFACTURING CO., DIVISION OF ALLIED PRODUCTS CORP.	5700 W. ROOSEVELT RD.	CHICAGO, IL 60650
78189	ILLINOIS TOOL WORKS, INC. SHAKEPROOF DIVISION	ST. CHARLES ROAD	ELGIN, IL 60120
80009	TEKTRONIX, INC.	P O BOX 500	BEAVERTON, OR 97077
83385	CENTRAL SCREW CO.	2530 CRESCENT DR.	BROADVIEW, IL 60153
86445	PENN FIBRE AND SPECIALTY CO., INC.	2032 E. WESTMORELAND ST.	PHILADELPHIA, PA 19134
87261	SLOSS SHEFIELD STEEL AND IRON COMPANY	3300 1ST AVENUE	NORTH BIRMINGHAM, AL 35222
93907	CAMCAR SCREW AND MFG. CO.	600 18TH AVE.	ROCKFORD, IL 61101